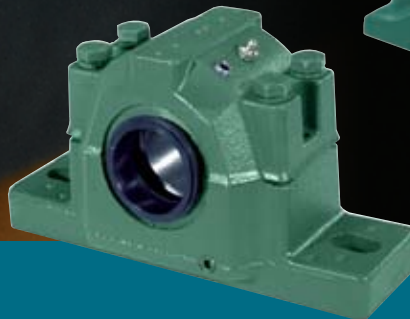
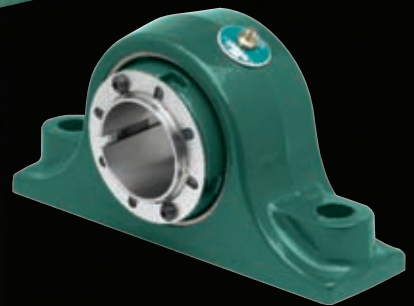
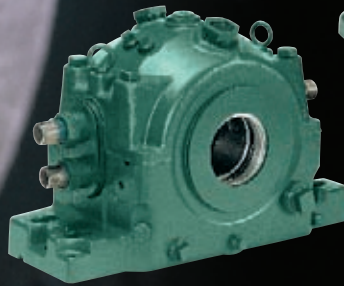


**DODGE**

# BEARING ENGINEERING CATALOG



**BALDOR**  
DODGE

To receive a copy of the DODGE Bearing Engineering Catalog, DODGE Gearing Engineering Catalog or DODGE Power Transmission Components Engineering Catalog, contact your local authorized DODGE Distributor or Baldor Electric Co., P.O. Box 499, 6040 Ponders Court, Greenville, SC 29602.

Below is a list of registered and trademarked names in the U.S.A.

AERO™	LIBERATOR®	SCR DESIGN®
AIRTRON®	LODE-SPHER®	SERVICELINE®
APEX®	MASTER®	SLEEVOIL DESIGN®
AUTOMATE®	MASTER and Design™	SLEEVOIL®
AUTOMAX®	MAXPAK®	SOLIDLUBE®
Brand X™	MAXUM®	SPEEDSETTER®
BRONZOIL DESIGN®	METRE®	STAREC®
CALIBRE™	MINE DUTY EXTRA®	TAPER-LOCK®
DAGGRE™	MOTO DRIVE®	TCO APPRAISAL™
DODGE®	MOTODRIVE®	TCO TOOLBOX®
DODGE DOUBLE-INTERLOCK®	MOTOMATIC®	TIGEAR®
DOUBLE-INTERLOCK®	MOTO-MATIC®	TIGEAR-2™
DUTY MASTER®	NYLIGN®	TIGER TORQUE®
DYNA V®	PARAFLEX®	TORQUE-ARM™
DYNA V DESIGN®	PARA-FLEX®	TORQUE-TAMER®
DYN-ADJUST®	PLS®	TRANSMISSIONEER®
DYNAFACE®	POLYBAND®	TRANSMISSIONEERING®
DYNA-SYNC®	POLY-DISC®	TRI-MATIC®
ELECTRO-CRAFT®	POLY-FLEX®	TYPE E-XTRA®
ENDURASEAL®	POWER LEAN®	ULTIMA®
E-Z KLEEN®	QUANTIS®	ULTRA KLEEN™
E-Z KLEEN™	REEVES®	UNIBRAKE®
FIRST LINE®	RELIALUBE®	UNIFIED®
FLEXALIGN®	RELIANCE®	UNISPHERE®
FLEXIDYNE®	RELIANCE (IN KATAKANA)®	V S®
FLEXLINK®	RELIANCE AUTOMATION®	V S®
FLEXPAK®	RELIANCE DESIGN®	V S DESIGN®
GRID-LIGN®	RELIANCE ELECTRIC®	VARI-SPEED®
GRIP TIGHT®	RELIANCE V S DESIGN®	VARI-SPIN®
GRUNT MAN (Design only)®	RELIANCE V S DESIGN®	VIA VISA®
GRUNT WORK AND DESIGN®	ROLLING GRIP®	VS STAR DEVICE®
HYDROIL®	RPM AC™	WEBPAK®
IMPAK®	RPM III™	WEBPAKCS®
INVERTRON®	SCHOOL OF TRANSMISSIONEERING®	

MEMBER OF . . .



AMERICAN GEAR MANUFACTURERS ASSOCIATION



MECHANICAL POWER TRANSMISSION ASSOCIATION

AFBMA

ANTI-FRICTION BEARING MANUFACTURERS ASSOCIATION



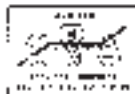
AMERICAN SUPPLY AND MACHINERY MANUFACTURERS ASSOCIATION, INC.



BEARING SPECIALISTS ASSOCIATION



POWER TRANSMISSION DISTRIBUTORS ASSOCIATION



CONVEYOR MANUFACTURERS ASSOCIATION



DODGE Products are  
Manufactured in ISO 9002  
Certified Plants

Prices and data indicated in this document are for your convenience and were correct at time of printing with the exception of clerical and/or printing errors. Possession of this document by any person or company is not to be construed as an offer to sell to him or to anyone else the goods listed herein at the prices stated.

ALL DATA AND PRICES ARE SUBJECT TO CHANGE WITHOUT NOTICE and shall be subject to those prices in effect at time of shipments. All published and quoted prices are based upon the application of, and all sales are expressly subject to, the Company's Standard Terms and Conditions of Sales are available upon request. This document supersedes all previously published catalog/pricing documents.

In illustrations throughout this catalog, safety guards have been removed for photographic purposes.

© 2007 Baldor Electric Company

#### WARNING

The information provided for Product Interchange in this catalog is for use only as a general reference by persons qualified to recognize unreasonable selection options. Products suggested as substitutes may have dimensional, rating, pricing and other differences from products to be replaced. This selection method must be used in conjunction with the applicable product catalog which contains important precautions and other pertinent information.

**WARNING:** Because of the possible danger to person(s) or property from accidents which may result from the improper use of products, it is important that correct procedures be followed: Products must be used in accordance with the engineering information specified in the catalog. Proper installation, maintenance and operation procedures must be observed. The instructions in the instruction manuals must be followed. Inspections should be made as necessary to assure safe operation under prevailing conditions. Proper guards and other suitable safety devices or procedures as may be described or as may be specified in safety codes should be provided, and are neither provided by Baldor Electric Company nor are the responsibility of Baldor Electric Company. This unit and its associated equipment must be installed, adjusted and maintained by qualified personnel who are familiar with the construction and operation of all equipment in the system and the potential hazards involved. When risk to persons or property may be involved, a holding device must be an integral part of the driven equipment beyond the speed reducer output shaft.

# CONTENTS



---

## DODGE BEARING CATALOG

QUICK REFERENCE .....	REFERENCE GUIDE-1
BALL BEARING INDEX .....	BALL BEARING INDEX-1
E-Z KLEEN® .....	B1-1
GRIP TIGHT® .....	B2-1
SETSCREW BALL BEARING.....	B3-1
ECCENTRIC COLLAR BALL BEARINGS .....	B4-1
D-LOK™ BALL BEARINGS .....	B5-1
THE E-FAMILY ROLLER BEARINGS.....	B6-1
SPECIALITY TAPERED PRODUCTS.....	B7-1
S-2000.....	B8-1
UNISPHERE II®.....	B9-1
IMPERIAL - ISN™.....	B10-1
UNIFIED® SAF .....	B11-1
INTERNATIONAL .....	B12-1
SLEEVE BEARINGS.....	B13-1
SLEEVOIL®.....	B14-1
TAKE-UP FRAMES & BASE PLATES .....	B15-1
ENGINEERING .....	B16-1
PART NUMBER INDEX .....	INDEX-1
KEY WORD INDEX .....	INDEX-29

# NOTES



# REFERENCE GUIDE



## Food & Beverage Ball Bearings, Page B1-2

- Two types: polymer housed units and stainless steel housed units
- Two inserts: corrosion resistant (comparable to 440 stainless steel) and standard steel insert with flingers
- Three locking styles: 65° setscrew angle (SC), concentric clamp collar (GT), and thin wall adapter (GT)
- Single-lip contact seal with flingers (standard), end covers available from stock
- Optional—BEV modification for the beverage industry
- Interchangeable mounting dimensions with most competitive products
- Anti-rotation device prevents insert rotation associated with light or rotating loads/high-speed applications
- Plus or minus 2° static misalignment



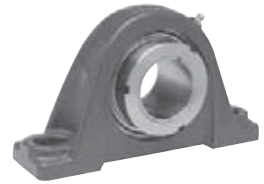
## Polymer-Housed Polymer Sleeve Bearings Page B1-2

- Polymer housing contains additive that prevents bacterial and fungal growth
- All polymer and stainless steel construction
- Solid polymer housing has no cavities and no fillings
- Conforms to FDA /USDA specifications
- Polymer sleeve insert with stainless steel anti-rotation pin
- No lubrication required, self-lubricated polymer sleeve insert for maintenance-free operation
- Offered in a wide variety of housing configurations and all popular bore sizes
- Operates in temperatures from -40°F to 180°F
- 3/4 - 1-15/16 size



## GRIP-TIGHT Ball Bearings, Page B2-1

- Two types: normal duty GT and medium duty GTM
- Single-lip contact seal with flingers (standard), low-torque labyrinth seal (optional), end covers available from stock
- Interchangeable mounting dimensions with most competitive products
- Thin Wall Adapter mounting offers 360° full shaft contact and concentricity. No shaft marring or fretting corrosion like setscrew and eccentric collar products. Built in bearing puller easily removes the bearing from the shaft. Turned, ground, and polished shafting is not required.
- Anti-rotation device prevents insert rotation associated with light or rotating loads/high-speed applications
- Expansion and non-expansion pillow blocks available for popular shaft sizes
- High-temperature option available to 400°F
- Plus or minus 2° static misalignment



## Setscrew Ball Bearings, Page B3-1

- Four types: normal duty SC, medium duty SCM, intermediate duty VSC, and light duty SL
- Single-lip contact seal (standard), single-lip contact seal with flingers (optional on SC and SCM), low-torque labyrinth seal (optional on SC and SCM), end covers available from stock for SC, SCM and VSC
- Interchangeable mounting dimensions with most competitive products
- 65° setscrew angle for greater holding power and ease on installation in confined areas
- Anti-rotation device on SC and SCM bearings prevents insert rotation associated with light or rotating loads/ high-speed applications
- Expansion and non-expansion pillow blocks available for popular SC shaft sizes
- High-temperature option available to 400° F on SC and SCM
- Plus or minus 2° static misalignment



# REFERENCE GUIDE



## Eccentric Collar Ball Bearings, Page B4-1

- Three types: normal duty SXR, intermediate duty SXV, and light duty SLX
- Single-lip contact seal (standard), single-lip contact seal with flingers (optional on SXR), low-torque labyrinth seal (optional on SXR), end covers available from stock for SXR and SXV
- Interchangeable mounting dimensions with most competitive products
- Eccentric collar locks the bearing to the shaft by a quarter turn of the collar in direction of shaft rotation collar is secured in place with setscrew
- Anti-rotation device on SXR prevents insert rotation associated with light or rotating loads/high-speed applications
- Expansion and non-expansion pillow blocks available for popular SXR shaft sizes
- High-temperature option available to 400°F on SXR
- Plus or minus 2° static misalignment



## D-LOK Ball Bearings, Page B5-1

- Two types: normal duty DL and medium duty DLM
- Single-lip contact seal with flingers (standard), low-torque labyrinth seal (optional), end covers available from stock
- Interchangeable mounting dimensions with most competitive products
- Concentric clamp collar locks the bearing to the shaft by tightening a single Allen wrench cap screw, the bearing will not mar the shaft like setscrew and eccentric collar bearings, provides concentricity between the bearing and shaft
- Anti-rotation device prevents insert rotation associated with light or rotating
- Expansion and non-expansion pillow blocks available for popular shaft sizes
- High-temperature option available to 400°F
- Plus or minus 2° static misalignment



## Air Handling Ball Bearings, Page B2-12, B3-14, B5-66,

- Thin wall adapter: normal duty GTAH and medium duty GTMAH
- Setscrew: normal duty (SCAH) and medium duty (SCMAH)  
Concentric clamp collar: normal duty (DLAH) and medium duty (DLMAH)
- Single-lip contact seal (standard on SCAH and SCMAH), single-lip contact seal with flingers (optional on SCAH and SCMAH, standard on DLAH, DLMAH and GTAH, GTMAH), low-torque labyrinth seal (optional), end covers available from stock
- Interchangeable mounting dimensions with most competitive products
- Anti-rotation device prevents insert rotation associated with light or rotating loads/high-speed applications
- Plus or minus 2° static misalignment
- Expansion and non-expansion pillow blocks available for popular shaft sizes
- High-temperature option available to 400°F



## Type E Tapered Roller Bearings (E-XTRA), Page B6-1

- Tapered rolling elements
- Completely assembled, factory adjusted, and properly lubricated—shaft ready
- Extra protection—E-TECT™ seal option
- Comparable mounting dimensions with ball bearings
- E-XTRA allows easy upgrade from ball bearings



## Double-Interlock Tapered Roller Bearings, Page B6-1

- Tapered roller bearing durability in a variety of styles
- Extra protection E-TECT seal option
- Special clearances and greases available
- Self aligning
- Factory assembled, adjusted, and lubricated—shaft ready
- Sealed bearing



# REFERENCE GUIDE



## Type K Tapered Roller Bearings, Page B6-1

- Tapered roller bearing with reduced length through bore
- Single collar design saves space and installation time
- Allows bearing to be closer to the load for reduced shaft design
- Self aligning
- Factory assembled, adjusted, and lubricated—shaft ready
- Same housing as double-interlock
- Extra protection-E-TECT™ Seal Option



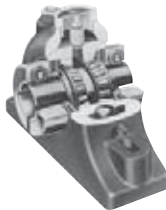
## TAF Tapered Roller Bearings Page B6-1

- Tapered bearing is a cost-saving alternative to SAF spherical bearings
- Shaft ready—mounts six times faster than SAF
- Interchangeable with SAF style pillow blocks
- Self aligning, factory assembled, adjusted, and lubricated
- E-TECT seal option available up to 5°
- Optional sensors for speed, vibration, and temperature
- Up to 5° static misalignment



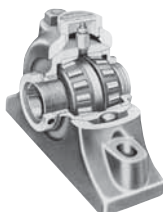
## Type C Specialty Tapered Bearings, Page B7-1

- Two single-row tapered bearings press-fitted on sleeve
- Improved concentricity over other collar-mounted types of bearings
- Steel multiple labyrinth seals
- Rugged two-piece outer housing
- Positive concentric clamp sleeve mounting
- Heavy duty gray iron



## Special Duty Tapered Roller Bearings, Page B7-1

- Quality duplex tapered roller bearing
- Tapered adapter sleeve mounting
- Effective piston ring seals
- Rugged two-piece housing
- Heavy duty gray iron



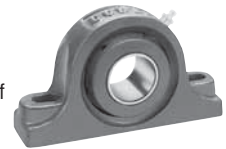
## S-2000 Spherical Roller Bearings, Page B8-1

- High-capacity, double-row spherical rollers
- Permits static or dynamic misalignment up to 2°
- Factory sealed, lubed, and adjusted
- Features springlok® collar that acts as a flinger
- Available with TRIDENT triple lip labyrinth seal options
- 65° springlok collar mount for increased holding power vs. 90° or 120°
- Setscrew mounted



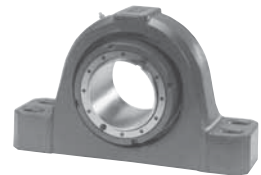
## UNISPHERE II Spherical Roller Bearings Page B9-1

- Dimensionally interchangeable with ball bearings in length through bore, base-to-center height, and footprint
- Approximately five times the rating of ball bearings
- Features same rolling elements and installation-ready components as S-2000
- Maintains sealing effectiveness with proven “R” seal
- Tapered seal area maintains seal contact during maximum misalignment
- Springlok collar mount with 65° setscrew spacing for optimum clamping force



## Imperial IP Spherical Roller Bearings Page B10-1

- Industry's only push/pull adapter mount system
- Available in 2-bolt and 4-bolt pillow blocks, flanges, and take-ups
- Accepts commercial toleranced shafting
- Installation and removal in less than 15 minutes
- Full concentric shaft attachment with adaptor sleeve mount
- Virtually eliminates fretting corrosion
- Capable of withstanding static or dynamic misalignment of  $\pm 1^\circ$
- Shaft-ready out of the box
- Available with TRIDENT triple lip labyrinth seal options



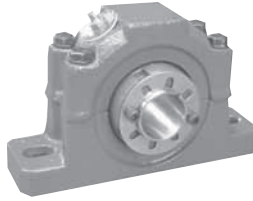
# REFERENCE GUIDE



## ISAF Spherical Roller Bearings

### Page B10-10

- Dimensionally interchangeable with SAF style pillow blocks
- Patented Imperial™ adapter mounting system
- Installation and removal in less than 15 minutes
- Easy installation—no feeler gauges needed
- Available with TRIDENT triple lip labyrinth seal options
- Full 2° misalignment capability
- Virtually eliminates fretting corrosion
- Shaft-ready out of the box, no assembly of components necessary



## USAF Spherical Roller Bearings

### Page B11-30

- 22200, 22300, 23000, 23100, and 23200 Series
- Industry-standard dimensions interchangeable with SAF housings
- Five sealing options to match most operating conditions
- Cast-in dimples locate drill holes for lube fitting, vents, sensors, and mounting modifications
- Standard housings have two oversized drains adaptable for circulating oil systems
- Pry slots allow easy separation of the pillow block



## Split-Spher Spherical Roller Bearings

### Page B11-5

- Split-race spherical bearing fits USAF 500 housings and replaces bearing and adapter assemblies
- Easy to replace without removing other shaft-mounted components
- Only split-race bearing made to standard SAF pillow block dimensions
- Has same OD dimensions as a standard spherical bearing
- Uses 22200 Series split roller bearings



## SNX Spherical Roller Bearings

### Page B11-23

- Dimensionally interchangeable plummer block with metric SN housing
- General-purpose, high-capacity, double-row, spherical roller bearings
- Adapter and direct mount
- Five different sealing options to match most operating conditions
- Grease or oil lubrication



## HFO Plummer Block Bearings

### Page B12-9

- Plummer block housings with oil-conveying ring lubrication
- Used with 22200, 22300, 22200K, and 22300K Series spherical roller bearings
- Available with labyrinth seals or end covers
- Material: gray cast iron



## PDFN & BLO..A

### Page B12-20 and B12-25

- Solid housings incorporate two bearing seats
- Misalignment is virtually eliminated
- PDFN Series is grease lubricated
- BLO..A Series is oil lubricated
- BLO..A Series is designed for heavy duty service



## DFL

### Page B12-22

- Flange mount housings with two bearing seats
- DFLS version allows for axial adjustment of fan impeller location
- Heavy duty, with double row spherical or deep groove ball bearings
- Standard version is lubricated for life



## SOLIDLUBE Sleeve Bearings

### Page B13-6

- Functions in harsh environments where ball bearing will not
- Self-lubricating, statically self aligning
- Covers a wide range of temperature extremes
  - 700 Series: -40°F to 700°F
  - 1000 Series: -200°F to -40°F and 250°F to 1000°F
- Housing types: 2-bolt pillow blocks, 4-bolt and 2-bolt flange units, and take-up units
- Ideal where bearings are subject to dry cycles or where lube systems would be too costly
- Recommended for slow speeds and limited shaft movement applications
- Bore sizes 3/4" to 8"





# REFERENCE GUIDE



## Babbitted & Bronze Bushed Bearings

### Page B13-10

- Good for slow to medium and shock loads
- Good for slow speeds and shock loads
- Capable of MPTA load ratings
- Cast-iron housings in 2- and 4-bolt pillow blocks
- Babbitted bearing features solid or fully split housing
- Bronze bushed bearing features fully split housing
- Bronze bushing is split and easily replaced



## BRONZOIL

### Page B13-12

- Feeds oil to shaft with self-oiling bushing
- Sleeve bearings with split pressed steel housing
- Statically self aligning
- Features bushing shoulder that provides self-lubricating bearing thrust face
- Designed with slotted holes
- Available with oil-resistant rubber grommets for sound isolation and static electricity protection
- Housing types: 2-bolt pillow and 4-bolt flange

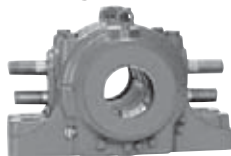


## SLEEVOIL R Series

### Hydrodynamic Pillow Block Bearings

#### Page B14-3

- Extended life (no metal-to-metal contact during operation)
- Handles high speeds
- Dampens vibration, provides quiet operation
- Fully split for ease of maintenance
- Self aligning
- Thrust capability
- External cooling (air, water, or oil) available for hot shafts



## SLEEVOIL RTL Series Hydrodynamic

### Pillow Block Bearings

- Extended life (no metal-to-metal contact during operation)
- Handles high speeds
- Dampens vibration, provides quiet operation
- Fully split for ease of maintenance
- Self aligning
- Three times the thrust load capability of R Series
- External cooling (air, water, or oil) available for hot shafts



## SLEEVOIL P Series

### Pedestal Hydrodynamic Bearings

#### Page B14-5

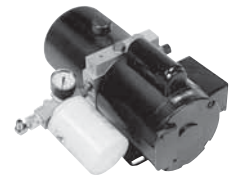
- P Series is used on motors, generators, fans, test stands, dynamometers, pumps, compressors, and other turbo machinery
- Dimensionally interchangeable with DIN standard 31690 and ISO 11687-1
- Meets API and NEMA end-float specifications
- Fully split components allow trouble-free assembly and disassembly
- Circulating oil-ready housing accommodates high speeds, elevated temperatures, and dirty environments
- Large-capacity oil sump promotes cooler operation



## SLEEVOIL Oil Level & Filtration System (OLF)

### Page B14-38

- Maintains proper oil level while bearing is running
- Increases bearing performance and life
- Allows even oil distribution and cooler operating temperatures
- Ensures filtered clean oil
- Permits easy filter change while bearing is operating
- Custom-engineered to support SLEEVOIL bearings



## Take-Up Frames

### Page B15-1

- 6 take-up frame types available from stock
- Standard take-up frame travel from 1-1/2" to 60"
- Take-up frames allow for the mounting of Dodge ball, roller, and sleeve bearings
- Take-up frame capacity is pre-engineered to exceed bearing capacity
- Made to provide/maintain tension and shaft centers on a variety of belt and chain-type conveyors
- Hydraulic and pneumatic tensioning available



## Smart Products

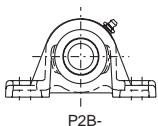
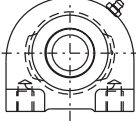

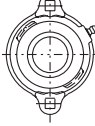
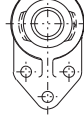
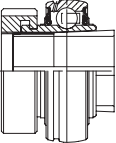
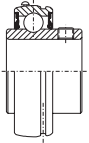
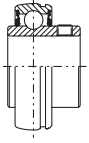
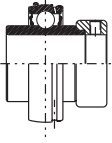
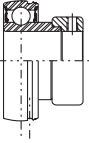
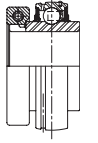
### Page B6-61, B10-66

- Online monitoring of temperature, vibration, and speed
- EZ Link Connects to DeviceNet™
- Plug and play installation
- Available on TAF and USAF



# BALL BEARING INDEX



		HOUSING						
								
		P2B-	TB-	F2B-	LFT-	FB-		
<b>INSERTS</b>		P2B-GT-... B2-8 P2B-GTEZ-... PCR B1-14 P2B-GTEZ-... SHCR B1-16 P2B-GTM-... B2-10	TB-GT-... B2-30 TB-GTEZ-... PCR B1-30	F2B-GT-... B1- F2B-GTEZ-... PCR B1-38 F2B-GTEZ-... SHCR B1-40 F2B-GTM-... B1-		FB-GT-... B1- FB-GTEZ-... PCR B1-52		
		P2B-SC-... B3-10 - B3-14 P2B-SCRZ-... PCR B1-18 P2B-SCRZ-... SHCR B1-20 P2B-SCM-... B3-26 - B3-30	TB-SC-... B3-42 TB-SCRZ-... PEC B1-32	F2B-SC-... B3-44 - B3-46 F2B-SCRZ-... PCR B1-42 F2B-SCEZ-... SHCR B1-44 F2B-SCM-... B3-54	LFT-SC-... B3-60	FB-SC-... B3-64 FB-SCRZ-... PCR B1-54	LF-SC-... B3-66	
		P2B-VSC-... B3-32 - B3-34		F2B-VSC-... B3-58 F2B-SL-... B3-62				F3B-SL-... B3-68
		P2B-SXR-... B4-10 - B4-14	TB-SXR-... B4-28	F2B-SXR-... B4-32			FB-SXR-... B4-	
		P2B-SXV-... B4-20 - B4-24	TB-SXV-... B4-30	F2B-SXV-... B4-34 F2B-SLX-... B4-42	LFT-SXV-... B4-40			LF-SXV-... B4-44 F3B-SLX-... B4-46
		P2B-DL-... B5-8 - B5-12 P2B-DLEZ-... PCR B1-24 P2B-DLEZ-SHCR B1-26 P2B-DLM-... B5-14 - B5-16	TB-DL-... B5-20 TB-DLEZ-... PCR B1-34	F2B-DL-... B5-22 F2B-DLEZ-... PCR B1-46 F2B-DLEZ-... SHCR B1-48 F2B-DLM-... B5-24	LFT-DL-... B5-28		FB-DL-... B5-32 FB-DLEZ-... PCR B1-56	LF-DL-... B5-30

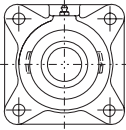
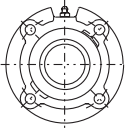

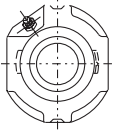
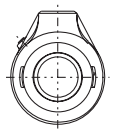
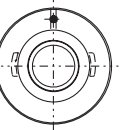
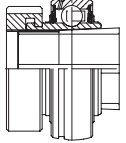
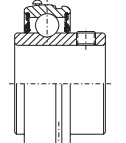
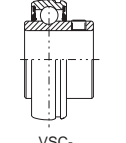
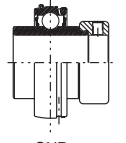
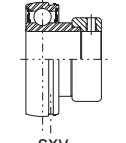
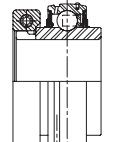


Not Recommended

Made to Order / Modification Required

# BALL BEARING INDEX



		HOUSING					
							
F4B-	FC-	NSTU-WSTU-TP-	HNG-	SCHB-	CYL-		
F4B-GT-... B2-48 F4B-GTEZ...PCR B1-60 F4B-GTEZ...SHCR B1-62 F4B-GTM-... B2-50	FC-GT-... B2-64  FC-GTM-... B2-66						<b>INSERTS</b>
F4B-SC-... B3-70 - B3-72 F4B-SCRZ...PCR B1-64 F4B-SCRZ...SHCR B1-66 F4B-SCM-... B3-78	FC-SC-... B3-86  FC-SCM-... B3-88	NSTU-SC-... NTSU-SCM-... TP-G-... B3-90 - B3-92 WSTU-SCEZ...PCR B1-78 WSTU-SC-... WSTU-SCM-... TP-G-... B3-98 - B3-100	HNG-SC-... B3-114	SCHB-SC-... B3-116	CYL-SC-... B3-118		
F4B-VSC-... B3-82  F4B-SL-... B3-84		WSTU-VSC-... B3-106  NSTU-VSC-... B3-96					
F4B-SXR-... B4-48	FC-SXR-...	WSTU-SXR-... NSTU-SXR-... TP-GXR-... B4-62, B4-64 B4-66	HNG-SXR-... B4-70	SCHB-SXR-... B4-72	CYL-SXR-... B4-74		
F4B-SXR-... B4-52  F4B-SLX-... B4-54	FC-SXV-... B4-34	NSTU-SXV-... WSTU-SXV-... B4-62 - B4-66					
F4B-DL-... B5-34 F4B-DLEZ...PCR B1-68 F4B-DLEZ...SHCR B1-70 F4B-DLM-... B5-36 - B5-38	FC-DL-... B5-40  FC-DLM-... B5-42	NSTU-DL-... NSTU-DLM-... B5-44 - B5-46 WTSU-DLEZ...PCR B1-78 WSTU-DL-... WSTU-DLM-... B5-48 - B5-50 TP-DL, TPDLM B5-52 - B5-54		SCHB-DL-... B5-56	CYL-DL-... B5-58		

Not Recommended 

Made to Order / Modification Required 



# CONTENTS



## E-Z KLEEN Polymer and Stainless Steel Housed Ball & Sleeve Bearings

Features / Benefits . . . . .	B1-2
How to Order / Nomenclature . . . . .	B1-4
Easy Selection . . . . .	B1-5
Dimensions	
Pillow Blocks . . . . .	B1-14
Tapped Base Pillow Blocks . . . . .	B1-30
2 Bolt Flange Bearings . . . . .	B1-38
Flanged Bracketed Bearings . . . . .	B1-54
3 Bolt Flange Brackets . . . . .	B1-58
4 Bolt Flange Bearings . . . . .	B1-60
Wide Slot Take-Up Bearings . . . . .	B1-74
Inserts . . . . .	B1-80
Interchange . . . . .	B1-88
Accessories . . . . .	B1-90
Part Number Index . . . . .	INDEX-1
Key Word Index . . . . .	INDEX-34

Bearing Quick Reference

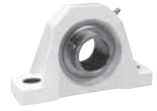
E-Z KLEEN

GRIP TIGHT Adapter Ball Bearing

Set Screw Ball Bearing

Eccentric Collar Ball Bearing

# FEATURES/BENEFITS



## Polymer and Stainless Steel Housed Mounted Bearings

Our goal at DODGE is to create the world's most successful customer. We do that by listening and responding to our customers' needs. Customers in the food and beverage processing industry told us they needed new and improved products that help make their industry safer - products that help in the fight against contamination from bacteria such as E. coli, salmonella, and staphylococcus aureus.

DODGE delivered by expanding our high performance E-Z KLEEN line with this new, improved generation of E-Z KLEEN engineered polymer housed ball and sleeve bearings and stainless steel housed ball bearings.



New DODGE E-Z KLEEN with solid-based housing

Competitive bearing with cavities and fillings that can trap bacteria



### RUGGED, SOLID-BASE HOUSING

- Manufactured with no cavities and no fillings -no traps for bacteria
- Features anti-microbial polymer that helps prevent bacterial and fungal growth (polymer housing)
- Housing strength exceeds static capacity of bearing
- Designed with stainless steel lube fittings and stainless steel ferrules in bolt holes (polymer housed)
- 316 Series stainless steel housing also available
- For no relube (NL) remove the lube fitting and install the polymer plug that is shipped with each bearing
- Retains dimensional stability in harsh environments
- No flaking or peeling, even after repeated washdowns
- Provides excellent chemical resistance
- Available with open enclosed end closures
- FDA/USDA compliant

### CORROSION-RESISTANT BALL BEARING INSERTS

- Corrosion resistant PROGUARD™ Plus seal with stainless steel flingers
- Corrosion-resistant inner and outer ring
- Stainless steel balls and lube fitting
- Stainless steel setscrews (SC) and stainless steel capscrew (DLOK)
- FDA/USA approved synthetic lubricant
- Relubricable
- Anti-rotation pin
- Reinforced, stabilized nylon cage
- Offered in inch and metric sizes
- Temperature range -20° to +225° F

### THREE SHAFT LOCKING SYSTEMS FROM STOCK

- SC - Two stainless-steel setscrews set 65 apart
- D-LOK - Corrosion resistant concentric collar
- GT-GRIP TIGHT

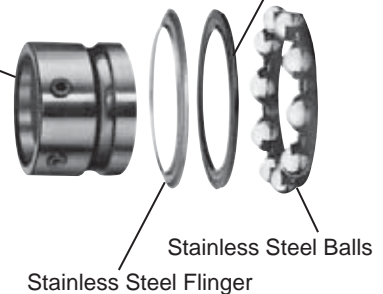
### POPULAR HOUSING STYLES

- |                                |                                     |
|--------------------------------|-------------------------------------|
| Polymer                        | Stainless Steel                     |
| • Pillow blocks                | • Pillow Block bolt flange bearings |
| • Tapped-base pillow blocks    | • 2 and 4 bolt flange bearings      |
| • 2 and 4 bolt flange bearings |                                     |
| • Flange brackets              |                                     |
| • Wide slot take-up bearings   |                                     |

Corrosion Resistant Inner And Outer Ring Out Performs Other 400 Series Stainless Steel Precision Hardened And Honed Inner And Outer Rings

65° Stainless Setscrews Locking

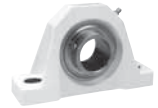
Corrosion Resistant PROGUARD Plus Seal



### RESULTS OF HOUSING ANTI-MICROBIAL ACTIVITY AGAINST TEST ORGANISMS

TEST ORGANISM	TYPE OF ORGANISM	GROWTH-FREE ZONE (MM)	CONTACT INHIBITION (%)
Staphylococcus aureus	Bacterial	0	100
Aspergillus niger	Fungal	0	100

# FEATURES/BENEFITS



## Polymer and Stainless Steel Housed Mounted Bearings

Bearing Quick Reference

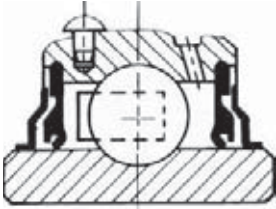
E-Z KLEEN

GRIP TIGHT Adapter Ball Bearing

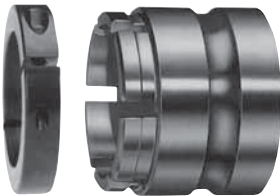
Set Screw Ball Bearing

Eccentric Collar Ball Bearing

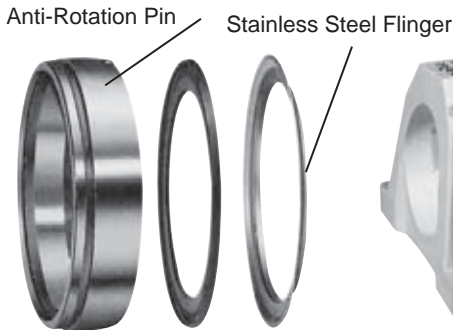
### DODGE PROGUARD™ PLUS SEAL



Corrosion resistant PROGUARD Plus seal with flingers - a combination contact land-riding seal and labyrinth - keeps lubricants in, contaminants out.



D-LOK DL



### CORROSION RESISTANT PROGUARD PLUS SEAL

### PRECISION-HARDENED AND HONED INNER AND OUTER RINGS

Precision-hardened and honed inner and outer rings for wear resistance, quieter operation, and longer life.

### ANTI-ROTATION PIN

Anti-rotation pin prevents rotation of the insert within the housing.

Simple and effective, it makes inserts easier to replace.

### Stainless Steel Anti-Rotation Pin

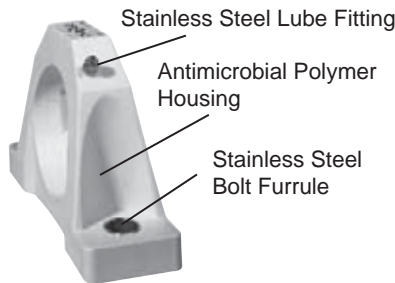


POLYMER SLEEVE

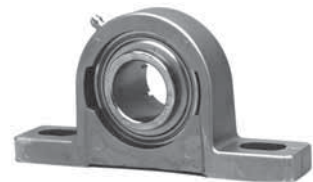
### E-Z KLEEN POLYMER HOUSED BEARING WITH POLYMER SLEEVE INSERT



- Targeted for wet, cool and coldside environments/ applications
- Self-lubricating polymer sleeve insert
- All polymer and stainless-steel construction
- Features stainless-steel antirotation pin on sphere of insert
- Resist fungus and bacterial growth
- Ensures quiet operation
- Conforms to FDA/USDA specifications
- Offered in both inch and meter sizes



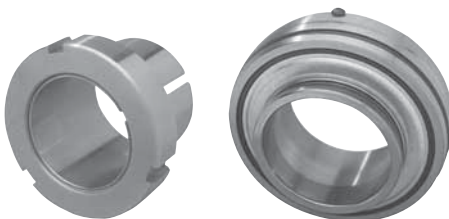
### STAINLESS HOUSING



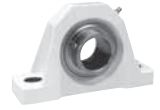
### GRIP-TIGHT LOCKING SYSTEM

Full Contact on shaft for better grip, less vibration.

Setscrew locking can distort the inner ring and cause system-induced vibration. But with the DODGE GRIP-TIGHT Adapter, the adapter attaches itself to the shaft for full concentric contact - 360° through the length of the bearing.



# HOW TO ORDER/ NOMENCLATURE



## E-Z KLEEN Polymer and Stainless Steel Housed Mounted Bearings

### HOW TO ORDER

There are two ways to specify DODGE polymer-housed ball bearings. Most of the product offerings have part numbers with listings shown throughout this brochure. Use of part numbers ensures accurate order processing.

When part numbers are not shown, the product may be specified by description or part name. This method is used when ordering units that include modifications or options. To order by description for options not covered by the nomenclature.

### NOMENCLATURE

**P2B - SCHUEZ - 104S = PCR**

Modification Or Feature:

- CR = Corrosion resistant insert
- LL = Low torque labyrinth seal
- MOD = Modified
- NL = No Lube (sealed for life)
- P = Polymer housing
- SH = Stainless Steel Housing

Shaft Size

Inches:

First digit = Number of inches

Second & third digits = Number of sixteenths of an inch

104 = Indicates 1-4/16 or 1-1/4

S = Next smaller ring size. E.g. 1-1/4 206 would be written as 104S

L = Next larger ring size. E.g. 1/2 204 would be written as 008L

Metric:

First two digits = number of millimeters

M = Metric

Bearing Type:

SC = Wide inner ring, normal duty, 65° setscrew locking

DL = Wide inner ring, normal duty, concentric clamp collar

GT = Wide inner ring, normal duty, thin wall adapter locking

PS = Polymer Sleeve Insert

Suffixes to the above:

EZ = EZ-KLEEN (used with polymer or stainless steel housed units)

BEZ = Low backing height pillow block, EZ-KLEEN

UEZ = higher back pillow block, EZ-KLEEN (for interchangeability with competitive pillow blocks)

Housing:

F2B = 2 bolt flange

F4B = 4 bolt flange

FB = Flanged bracket

INS = Insert

P2B = Pillow block, 2 bolt base

TB = Tapped base pillow block

WSTU = Wide slot take-up

Bearing Quick Reference

E-Z KLEEN

GRIP TIGHT Adapter Ball Bearing

Set Screw Ball Bearing

Eccentric Collar Ball Bearing

FEATURES/BENEFITS PAGE B1-2	SELECTION/DIMENSIONS PAGE B1-14	INTERCHANGE PAGE B1-88	ACCESSORIES PAGE B1-90
--------------------------------	------------------------------------	---------------------------	---------------------------



# EASY SELECTION



## Selection of DODGE E-Z KLEEN Polymer and Stainless Steel Housed Ball Bearings

DODGE E-Z KLEEN ball bearings are primarily designed for radial loading. However, they have the capacity to carry thrust loads and combined radial/thrust loads. The maximum recommended load which can be applied is limited by various components in the system, such as bearing, housing, shaft attachments, speed and life requirements as listed in this catalog and the instruction manual that accompanies each bearing. DODGE E-Z KLEEN ball bearings have been applied successfully when these limits have been exceeded under controlled operating conditions. Contact DODGE Engineering, 864-281-2195, for applications which exceed these recommendations.

Select a bearing from the Selection table that has a radial load rating at the operating speed equal to or greater than the calculated Equivalent Radial Load for a desired  $L_{10}$  life. (Table 2 for English shaft sizes and Table 3 for metric shaft sizes) This simple method is all that is required for the majority of general applications and provides for occasional average shock loads.

**L10 Hours Life**-is the life which may be expected for at least 90% of a given group of bearings operating under identical conditions.

**Heavy Service**-For heavy shock loads, frequent shock loads or severe vibrations, add up to 50% (according to severity of conditions) to the Equivalent Radial Load to obtain a Modified Equivalent Radial Load. Consult Application Engineering for additional selection assistance.

A maximum thrust load value of C/10 is recommended as a guide for general applications and will give adequate  $L_{10}$  life. If the thrust load exceeds this limit, it is advisable to use auxiliary thrust carrying devices, such as a shaft shoulder, snap ring, or a thrust collar. Where substantial radial load pulls the housing away from the mounting base, both the hold-down bolts and housing must be of adequate strength. Auxiliary load carrying devices, such as shear bars, are advisable for side or end-loading of pillow blocks and radial loads for flange units.

To determine the  $L_{10}$  hours life for loads and RPM's not listed use the following equation:

$$L_{10} = \left(\frac{C}{P}\right)^3 \times \frac{16667}{\text{RPM}}$$

Where:

$L_{10}$  = Life, hours

C = Dynamic Capacity, lbs. or N

P = Equivalent Radial Load, lbs. or N

RPM = Revolution per minute

When the load on a ball bearing is solely a radial load with no thrust (axial) load, the Equivalent Radial Load (P) is equal to the actual radial load. However, when a thrust (axial) load is applied, the radial and thrust loads applied must be converted into an Equivalent Radial Load. The use of the X (radial factor) and Y (thrust factor) from Table 1 convert the actual applied thrust and radial loads to an Equivalent Radial Load which has the same effect on the life of a bearing as a radial load of this magnitude.

$$P = (X \times F_R) + (Y \times F_A)$$

Where:

P = Equivalent Radial Load, lbs.

$F_R$  = Radial load, lbs.

$F_A$  = Thrust load, lbs.

e = Thrust load to radial load factor (Table 1)

X = Radial load factor (Table 1)

Y = Thrust Factor (Table 1)

$C_0$  = Basic static capacity (Table 2 or 3)

To find X and Y, first calculate  $F_A/C_0$  to determine e. Calculate  $F_A/F_R$  and compare to e to determine the X and Y factors to use from Table 1.

Substitute all known values into the Equivalent Radial Load equation. The Equivalent Radial loads (P) thus determined can be used in the  $L_{10}$  life formula or compared to the allowable Equivalent Radial Load rating desired in the expanded rating chart to select a bearing (Table 2).

If calculated value of P is less than  $F_R$ , use  $P=F_R$ .

**Table 1**

$F_A C_0$	e	Radial/Thrust Factors			
		If $F_A/F_R$ is equal to or less than e		If $F_A/F_R$ is greater than e	
		$F_A/F_R \leq e$		$F_A/F_R > e$	
		X	Y	X	Y
.014	.19	1	0	0.56	2.30
.021	.21	1	0	0.56	2.15
.028	.22	1	0	0.56	1.99
.042	.24	1	0	0.56	1.85
.056	.26	1	0	0.56	1.71
.070	.27	1	0	0.56	1.63
.084	.28	1	0	0.56	1.55
.110	.30	1	0	0.56	1.45
.170	.34	1	0	0.56	1.31
.280	.38	1	0	0.56	1.15
.420	.42	1	0	0.56	1.04
.560	.44	1	0	0.56	1.00

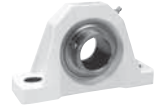
**Lubrication**- DODGE Ball Bearings are lubricated at the factory and are ready to run. The bearings are initially lubricated with an aluminum complex based, H1 Food Grade grease and should be relubricated with the same or some equivalent. For high speeds, high loads, extreme temperatures and other abnormal operating conditions, special greases may be required. Contact DODGE Application Engineering for recommendations on these types of applications.

**Misalignment** - DODGE Ball Bearings are designed to allow a maximum of 2° static misalignment. These bearings are not suitable for dynamic misalignment. To ensure good alignment, mounting surfaces must be checked for flatness and must lie in the same plane. When tightening base bolts, each bolt should be alternately tightening in incremental torque values until full torque is achieved to prevent the angular shifting of the pillow block that occurs when one bolt is tightened to its full torque. Shimming may be required to minimize misalignment.

Shaft Tolerances		
Normal Shaft Size Inches	Recommended Shaft Tolerances SC & D-LOK Products (Inches)	Recommended Shaft Tolerances GRIP TIGHT Ball Bearings Inches
Up to 1-1/2"	+0.000 - .0005	+0.000 -0.002
Over 1-1/2 to 2"	+0.000 -.0010	+0.000 -.0.003

FEATURES/BENEFITS PAGE B1-2	DIMENSIONS PAGE B1-14	INTERCHANGE PAGE B1-88	ACCESSORIES PAGE B1-90
--------------------------------	--------------------------	---------------------------	---------------------------

# EASY SELECTION



**Table 2 - Easy Selection For Polymer And Stainless Steel Housed E-Z KLEEN Ball Bearing Mounted Bearings - Inch**

RING SIZE	SHAFT SIZE	DYNAMIC CAPACITY C, lbs.	STATIC CAPACITY CO, LBS	L10 LIFE HOURS	ALLOWABLE EQUIVALENT RADIAL LOAD RATINGS (lbs) AT VARIOUS RPM*																		
					50	150	250	500	750	1000	1500	1750	2000	2500	3000	3500	4500	5000	5500	7500	9500	11000	12000
204	3/4	2899	1390	20000	740	515	435	345	300	275	240	225	215	200	190	180	165	160	155	140	129	123	119
				30000	645	450	380	300	260	240	210	200	190	175	165	155	145	140	135	120	113	107	104
				40000	590	410	345	275	240	215	190	180	170	160	150	145	130	125	125	110	102	97	95
				60000	515	355	300	240	210	190	165	155	150	140	130	125	115	110	105	95	89	85	83
				100000	435	300	255	200	175	160	140	130	125	115	110	105	190	95	90	80	75	72	70
205	7/8 15/16 1	3146	1565	20000	805	560	470	375	325	295	260	245	235	220	205	195	180	175	170	150	140	133	129
				30000	705	485	410	325	285	260	225	215	205	190	180	170	155	150	145	130	122	116	113
				40000	640	445	375	295	260	235	205	195	185	175	165	155	140	135	135	120	111	106	103
				60000	560	385	325	260	225	205	180	170	165	150	140	135	125	120	115	105	97	92	90
				100000	470	325	275	220	190	175	150	145	135	125	120	115	195	100	100	90	82	78	76
206	1-1/8 1-3/16 1-1/4	4368	2250	20000	1115	775	655	520	455	410	360	340	325	305	285	270	250	240	235	210	194	185	
				30000	975	675	570	455	395	360	315	300	285	265	250	235	220	210	205	183	170	161	
				40000	885	615	520	410	360	325	285	270	260	240	225	215	200	190	185	167	154	147	
				60000	775	535	455	360	315	285	250	235	225	210	200	190	175	165	160	146	135	128	
				100000	655	455	380	305	265	240	210	200	190	175	165	160	145	140	135	123	113	108	
207	1-1/4 1-3/8 1-7/16	5759	3065	20000	1475	1020	860	685	595	545	475	450	430	400	375	355	330	315	305	279	256		
				30000	1285	890	755	595	520	475	415	395	375	350	330	310	285	275	270	242	224		
				40000	1170	810	685	545	475	430	375	355	340	315	300	285	260	250	245	220	203		
				60000	1020	710	595	475	415	375	330	310	300	275	260	250	230	220	215	192	177		
				100000	860	595	505	400	350	315	275	265	250	235	220	210	190	185	180	162	150		
208	1-1/2	7332	4005	20000	1875	1300	1095	870	760	690	605	575	550	510	480	455	420	405	392	352			
				30000	1640	1135	960	760	665	605	525	500	480	445	420	400	365	355	342	308			
				40000	1490	1030	870	690	605	550	480	455	435	405	380	360	330	320	310	280			
				60000	1300	900	760	605	525	480	420	400	380	355	330	315	290	280	270	244			
				100000	1095	760	640	510	445	405	355	335	320	300	280	265	245	235	229	206			
209	1-5/8 1-11/16 1-3/4	7891	4450	20000	2020	1400	1180	935	820	745	650	615	590	550	515	490	450	435	420	379			
				30000	1765	1225	1030	820	715	650	570	540	515	480	450	430	395	380	367	331			
				40000	1600	1110	935	745	650	590	515	490	470	435	410	390	360	345	334	301			
				60000	1400	970	820	650	570	515	450	430	410	380	360	340	310	300	292	263			
				100000	1180	820	690	550	480	435	380	360	345	320	300	285	265	255	247	222			
210	1-15/16 2	7891	4450	20000	2020	1400	1180	935	820	745	650	615	590	550	515	490	450	434	420				
				30000	1765	1225	1030	820	715	650	570	540	515	480	450	430	395	379	367				
				40000	1600	1110	935	745	650	590	515	490	470	435	410	390	360	345	334				
				60000	1400	970	820	650	570	515	450	430	410	380	360	340	310	301	292				
				100000	1180	820	690	550	480	435	380	360	345	320	300	285	265	254	247				

\* SLIGHT INTERFERENCE FIT REQUIRED WHEN OPERATING TO THE RIGHT OF THE HEAVY LINE OR IN THE SHADED AREA. FOR SC PRODUCT ONLY, OR USE D-LOK OR GT PRODUCTS

**Note:** Because the allowable loads - especially at low speeds - are extremely high, be sure the shaft strength is adequate and the pillow blocks are base loaded. When imposed load is horizontal, be sure hold-down bolts are adequate. If bearings are cap loaded, full details on load, speed, and shaft size should be referred to DODGE Application Engineering.

Use GT with labyrinth seals when operating right of heavy ..... line

FEATURES/BENEFITS PAGE B1-2	DIMENSIONS PAGE B1-14	INTERCHANGE PAGE B1-88	ACCESSORIES PAGE B1-90
--------------------------------	--------------------------	---------------------------	---------------------------

# EASY SELECTION



**Table 3 - Easy Selection For Polymer And Stainless Steel Housed E-Z KLEEN Ball Bearing Mounted Bearings - Metric**

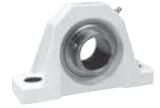
RING SIZE	SHAFT SIZE	DYNAMIC CAPACITY C, N	STATIC CAPACITY CO, N	L10 LIFE HOURS	ALLOWABLE EQUIVALENT RADIAL LOAD RATINGS (N) AT VARIOUS RPM*																				
					50	150	250	500	750	1000	1500	1750	2000	2500	3000	3500	4500	5000	5500	7500	9500	11000	12000		
204	20mm	12895	6183	20000	3292	2291	1935	1535	1334	1223	1068	1001	956	890	845	801	734	712	689	623	574	547	529		
				30000	2869	2002	1690	1334	1156	1068	934	890	845	778	734	689	645	623	600	534	503	476	463		
				40000	2624	1824	1535	1223	1068	956	845	801	756	712	667	645	578	556	556	489	454	431	423		
				60000	2291	1579	1334	1068	934	845	734	689	667	623	578	556	512	489	467	400	356	334	320	311	
				100000	1935	1334	1134	890	778	712	623	578	556	512	489	467	400	356	334	320	311				
205	25mm	13993	6961	20000	3581	2491	2091	1668	1446	1312	1156	1090	1045	979	912	867	801	778	756	667	622	592	574		
				30000	3136	2157	1824	1446	1268	1156	1001	956	912	845	801	756	689	667	645	578	542	516	503		
				40000	2847	1979	1668	1312	1156	1045	912	867	823	778	734	689	623	600	600	534	494	472	458		
				60000	2491	1712	1446	1156	1001	912	801	756	734	667	623	600	556	534	512	467	431	409	400		
				100000	2091	1446	1223	979	845	778	667	645	600	556	534	512	467	445	445	400	365	347	338		
206	30mm	19429	10008	20000	4960	3447	2913	2313	2024	1824	1601	1512	1446	1357	1268	1201	1112	1068	1045	934	862	823			
				30000	4337	3002	2535	2024	1757	1601	1401	1334	1268	1179	1112	1045	979	934	912	814	756	716			
				40000	3936	2736	2313	1824	1601	1446	1268	1201	1156	1068	1001	956	890	845	823	743	685	654			
				60000	3447	2380	2024	1601	1401	1268	1112	1045	1001	934	890	845	778	734	712	649	600	569			
				100000	2913	2024	1690	1357	1179	1068	934	890	845	778	734	712	645	623	600	547	503	480			
207	35mm	25616	13633	20000	6561	4537	3825	3047	2647	2424	2113	2002	1913	1779	1668	1579	1468	1401	1357	1232	1139				
				30000	5716	3959	3358	2647	2313	2113	1846	1757	1668	1557	1468	1379	1268	1223	1201	1076	996				
				40000	5204	3603	3047	2424	2113	1913	1668	1579	1512	1401	1334	1268	1156	1112	1090	978	903				
				60000	4537	3158	2647	2113	1846	1668	1468	1379	1334	1223	1156	1112	1023	979	956	854	787				
				100000	3825	2647	2246	1779	1557	1401	1223	1179	1112	1045	979	934	845	823	801	720	667				
208	40mm	32613	17814	20000	8340	5782	4871	3870	3380	3069	2691	2558	2446	2268	2135	2024	1868	1801	1744	1565					
				30000	7295	5048	4270	3380	2958	2691	2335	2224	2135	1979	1868	1779	1624	1579	1521	1370					
				40000	6628	4581	3870	3069	2691	2446	2135	2024	1935	1801	1690	1601	1468	1423	1378	1245					
				60000	5782	4003	3380	2691	2335	2135	1868	1779	1690	1579	1468	1401	1290	1245	1201	1085					
				100000	4871	3380	2847	2268	1979	1801	1579	1490	1423	1334	1245	1179	1090	1045	1018	916					
209	45mm	35099	19794	20000	8985	6227	5249	4159	3647	3314	2891	2736	2624	2446	2291	2180	2002	1935	1868	1686					
				30000	7851	5449	4581	3647	3180	2891	2535	2402	2291	2135	2002	1913	1757	1690	1632	1472					
				40000	7117	4937	4159	3314	2891	2624	2291	2180	2091	1935	1824	1735	1601	1535	1486	1339					
				60000	6227	4315	3647	2891	2535	2291	2002	1913	1824	1690	1601	1512	1379	1334	1299	1170					
				100000	5249	3647	3169	2446	2135	1935	1690	1601	1535	1423	1334	1268	1179	1134	1099	988					
210	50mm	35099	19794	20000	8985	6227	5249	4159	3647	3314	2891	2736	2624	2446	2291	2180	2002	1931	1868						
				30000	7851	5449	4581	3647	3180	2891	2535	2402	2291	2135	2002	1913	1757	1686	1632						
				40000	7117	4937	4159	3314	2891	2624	2291	2180	2091	1935	1824	1735	1601	1535	1486						
				60000	6227	4315	3647	2891	2535	2291	2002	1913	1824	1690	1601	1512	1379	1339	1299						
				100000	5249	3647	3069	2446	2135	1935	1690	1601	1535	1423	1334	1268	1179	1130	1099						

\*SLIGHT INTERFERENCE FIT REQUIRED WHEN OPERATING TO THE RIGHT OF THE HEAVY LINE OR IN THE SHADED AREA. FOR SC PRODUCT ONLY, OR USE D-LOK OR GT PRODUCTS

**Note:** Because the allowable loads - especially at low speeds - are extremely high, be sure the shaft strength is adequate and the pillow blocks are base loaded. When imposed load is horizontal, be sure hold-down bolts are adequate. If bearings are cap loaded, full details on load, speed, and shaft size should be referred to DODGE Application Engineering.

Use GT with labyrinth seals when operating right of heavy ..... line

FEATURES/BENEFITS PAGE B1-2	DIMENSIONS PAGE B1-14	INTERCHANGE PAGE B1-88	ACCESSORIES PAGE B1-90
--------------------------------	--------------------------	---------------------------	---------------------------

**EASY SELECTION****Table 4 - Easy Selection For E-Z KLEEN Polymer-Housed Sleeve Bearing Mounted Units - Inch****RADIAL LOAD RATINGS (LBS) AT VARIOUS REVOLUTIONS PER MINUTE (RPM)**

Series	Shaft Size	Up To 10	25	50	75	100	150	200	250
204	3/4	450	400	375	300	230	175	110	90
205	1	600	550	450	215	235	175	110	90
206	1-3/16 1-1/4	900	800	500	325	250	175	110	90
207	1-1/4 1-7/16	1000	900	600	400	300	175	120	95
208	1-1/2	1400	1200	700	430	320	180	125	95
209	1-11/16 1-3/4	1600	1400	725	435	335	180	125	95
210	1-15/16	1800	1600	750	450	350	185	130	100

**RADIAL LOAD RATINGS (LBS) AT VARIOUS REVOLUTIONS PER MINUTE (RPM)**

Series	Shaft Size	300	350	400	450	500	550	600	650
204	3/4	60	50	45	40	35	25	20	15
205	1	60	50	45	40	35	25	20	15
206	1-3/16 1-1/4	65	60	50	40	35	30	25	20
207	1-1/4 1-7/16	70	65	55	45	40	35	30	
208	1-1/2	70	65	55	45	40	35		
209	1-11/16 1-3/4	70	65	55	45	40			
210	1-15/16	80	70	60	50	45			

Continuous operating temperature: -40 to 180° F

# EASY SELECTION



**Table 5 - Easy Selection For E-Z KLEEN Polymer-Housed Sleeve Bearing Mounted Units - Metric**

## RADIAL LOAD RATINGS (NEWTONS) AT VARIOUS REVOLUTIONS PER MINUTE (RPM)

Series	Shaft Size	Up To 10	25	50	75	100	150	200	250
204	20	2000	1775	1665	1330	1020	775	485	400
205	25	2665	2445	2000	1400	1045	775	485	400
206	30	4000	3555	2220	1445	1110	775	485	400
207	35	4445	4000	2665	1775	1330	775	530	420
208	40	6225	5335	3110	1910	1420	8000	555	420
209	45	7115	6225	3220	1930	1490	8000	555	420
210	50	8005	7115	3335	2000	1555	820	575	440

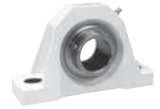
## RADIAL LOAD RATINGS (NEWTONS) AT VARIOUS REVOLUTIONS PER MINUTE (RPM)

Series	Shaft Size	300	350	400	450	500	550	600	650
204	20	265	220	200	175	155	110	85	65
205	25	265	220	200	175	155	110	85	65
206	30	285	265	220	175	155	130	110	85
207	35	310	285	240	200	175	155	130	
208	40	310	285	240	200	175	155		
209	45	310	285	240	200	175			
210	50	355	310	265	220	200			

Continuous operating temperature: -40 to 82° C

FEATURES/BENEFITS PAGE B1-2	DIMENSIONS PAGE B1-14	INTERCHANGE PAGE B1-88	ACCESSORIES PAGE B1-90
--------------------------------	--------------------------	---------------------------	---------------------------

# EASY SELECTION



## E-Z KLEEN POLYMER HOUSINGS

### General Resistance to Chemical Groups at Room Temperature (20°C/68°F)

Chemical Group	Condition Or Subgroup	Resistance
Inorganic Acids (non-oxidizing)	concentrated	-
	diluted (1:1)	+1.00
	highly diluted	+1.00
Inorganic Acids (oxidizing)	concentrated	-
	diluted (1:1)	-
	highly diluted	+
Organic Acids	concentrated	=
	diluted (1:1)	+
	highly diluted	+
Bases	concentrated	-
	diluted (1:1)	-
	highly diluted	=
Salt Solutions	acidic	+
	neutral	+
	basic	=
Aliphatic Hydrocarbons		+
	oils and greases	+
Aromatic Hydrocarbons		=
	phenols	-
Halogenated Hydrocarbons	perhalogenated	+
	partially halogenated	-
Alcohols	monovalent	+
	polyvalent	=
Ketones		=
Esters		=
Ethers		+

(1) except hydrofluoric acid

(+) excellent resistance (=) good-fair resistance (-) fair-poor resistance (blank) no data available

FEATURES/BENEFITS PAGE B1-2	DIMENSIONS PAGE B1-14	INTERCHANGE PAGE B1-88	ACCESSORIES PAGE B1-90
--------------------------------	--------------------------	---------------------------	---------------------------

# EASY SELECTION

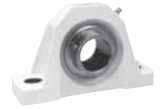


## CHEMICAL RESISTANCE CHART

Chemical Agent	Solution Conc.	@ 23°C (73°F)		@ 60°C (140°F)		@ 80°C (175°F)
		Polymer Housing	Polymer Insert	Polymer Housing	Polymer Insert	Polymer Housing
<b>A</b>						
Acetic Acid	5%	+	+	=		=
Acetic Acid	10%	+		=		=
Acetic Acid	20%	=	-	=	-	=
Acetic Acid	80%	=	-	=	-	=
Acetic Acid	100%	=		=		=
Acetone		=	=			
Ammonium Chloride	10%		+		+	
Ammonium Hydroxide	10%	=	-			
Ammonium Hydroxide	conc.	-				
Aniline		+	=		=	
<b>B</b>						
Benzene		=	=	=	=	
Bleaching Lye		+		+		
Brake Fluid		+	+	+	+	+
Butane		+				
Butanol		=		=		
Butyl Acetate		+		=		
<b>C</b>						
Calcium Chloride	5%	+	+	+		
Calcium Chloride	10%	+		+		
Calcium Hydroxide	10%		+		+	
Calcium Hypochlorite		+		+		
Carbon Disulphide		+				
Carbon Tetrachloride		+	+			
Castor Oil			+			
Chloroform		-				
Chromic Acid	40%	+		-		-
Citric Acid	10%	+		+		+
Cottonseed Oil		+		+		+
Cresol		-		-		-
<b>D</b>						
Detergents	1%	+	+	=		-
Detergents	25%	+	+	=		-
Dibutyl Phthalate		+		+		
Diesel Oil		+				
Dioxane		+	=	-	=	
<b>E</b>						
Ethanol		+	=			
Ether (diethyl-)		+				
Ethyl Acetate		=	=			
Ethylene Dichloride		-				
( + ) excellent resistance ( = ) good-fair resistance ( - ) fair-poor resistance ( blank ) no data available						

FEATURES/BENEFITS PAGE B1-2	DIMENSIONS PAGE B1-14	INTERCHANGE PAGE B1-88	ACCESSORIES PAGE B1-90
--------------------------------	--------------------------	---------------------------	---------------------------

## EASY SELECTION



## CHEMICAL RESISTANCE CHART

Chemical Agent	Solution Conc.	@ 23°C (73°F)		@ 60°C (140°F)		@ 80°C (175°F)
		Polymer Housing	Polymer Insert	Polymer Housing	Polymer Insert	Polymer Housing
<b>F</b>						
Ferrous Chloride	5%		+			
Formic Acid	5%	+		=		+
Formic Acid	90%	=		-		-
Freon 11		+				
<b>G</b>						
Gasoline		+	+			
Glycerol (Glycerin)		=		=		
Glycol		=		=		
Grease		+	+	+	+	+
<b>H</b>						
Heptane		+				
Hexane		+	+		+	
Hydrochloric Acid	10%	+	-	=	-	-
Hydrochloric Acid	90%	-	-	-	-	-
Hydrofluoric Acid	5%	-		-		-
Hydrofluoric Acid	50%	-		-		-
Hydrogen Peroxide	3%	+	+			
Hydrogen Peroxide	30%	=	+			
<b>IJ</b>						
Isoamyle Alcohol			=		=	
Isopropanol		=		=		
<b>KL</b>						
Kerosene		+	+		+	
Lithium Chloride	43%		+		+	
<b>M</b>						
Methanol		+	=		=	
Methylene Chloride		-	+	-		
Methyl Ethyl Ketone		+	+	=	+	
Methyl Salicylate			+			
Mineral Oil		+	+	+	+	+
Motor Oils		+	+	+	+	+
<b>N</b>						
Nitric Acid	10%	+	-	=	-	=
Nitric Acid	40%	-	-	-	-	-
Nitric Acid	70%	-	-	-	-	-
<b>O</b>						
Oleic Acid	100%	+		+		+
Olive Oil		+	+	+	+	+
<b>P</b>						
Perchloroethylene		+	=	=	=	
Petroleum Ether		+				
Phenol		=		-	-	-
( + ) excellent resistance ( = ) good-fair resistance ( - ) fair-poor resistance ( blank ) no data available						

FEATURES/BENEFITS  
PAGE B1-2DIMENSIONS  
PAGE B1-14INTERCHANGE  
PAGE B1-88ACCESSORIES  
PAGE B1-90



# EASY SELECTION

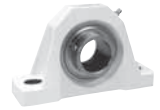


## CHEMICAL RESISTANCE CHART

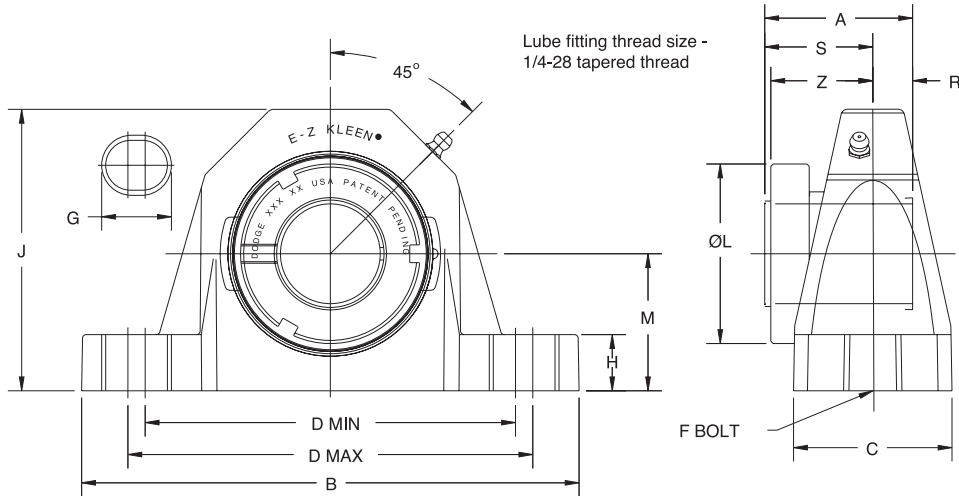
Chemical Agent	Solution Conc.	@ 23°C (73°F)		@ 60°C (140°F)		@ 80°C (175°F)
		Polymer Housing	Polymer Insert	Polymer Housing	Polymer Insert	Polymer Housing
<b>P</b>						
Phosphoric Acid	3%	+		+		+
Phosphoric Acid	30%	+	-	+	-	+
Phosphoric Acid	85%	+	-	+	-	-
Potassium Chloride	10%	+		=		-
Potassium Dichromate	10%	+				
Potassium Hydroxide	1%	-		-		-
Potassium Hydroxide	10%	-		-		-
Potassium Hydroxide	60%	-		-		-
Potassium Permanganate	10%	+	+		+	
<b>S</b>						
Silicone Fluids		+		+		+
Soap Solution	1%	+	+	=	=	-
Sodium Bicarbonate	10%	+		=		-
Sodium Bisulfate	5%		+			
Sodium Bisulfite	5%	+	-			
Sodium Bisulfite	10%	+	-	=		-
Sodium Carbonate	10%	+		-		-
Sodium Carbonate	20%	+		-		-
Sodium Chloride	10%	+	+	=	+	-
Sodium Hydroxide	1%	-		-		-
Sodium Hydroxide	10%	-	-	-		-
Sodium Hydroxide	60%	-		-		-
Sodium Hypochlorite	5%	+	-			
Sodium Hypochlorite	10%	+		=		-
Sulfuric Acid	3%	+	-	+	-	+
Sulfuric Acid	30%	+	-	+	-	-
Sulfuric Acid	98%	-	-	-	-	-
<b>T</b>						
Tetrahydrofuran		=				
Toulene		+	=			
Transformer Oil		+	+	+	+	+
Trichlorethylene		=				
Triethylamine			=		=	
Turpentine		+				
<b>V</b>						
Vaseline		+		+		+
Vegetable Oils		+	+	+	+	+
<b>W</b>						
Water		+	+	=	=	-
White Spirits		+				
<b>X</b>						
Xylene		+				
(+ ) excellent resistance (- ) good-fair resistance ( - ) fair-poor resistance ( blank ) no data available						

FEATURES/BENEFITS PAGE B1-2	DIMENSIONS PAGE B1-14	INTERCHANGE PAGE B1-88	ACCESSORIES PAGE B1-90
--------------------------------	--------------------------	---------------------------	---------------------------

# SELECTIONS/DIMENSIONS



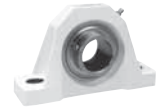
## E-Z KLEEN Mounted Bearings GTEZ Normal Duty Polymer Housed Pillow Blocks



Series	Shaft Size	Complete Unit		Unit without Adapter		Adapter & Nut Assembly	
		Part No.	Description	Part No.	Description	Part No.	Description
204	3/4 20mm	129244	P2B-GTEZ-012-PCR	129530	P2B-GTEZ-04-PCR	129967	AN-GT-04-012-CR
		129245	P2B-GTEZ-20M-PCR			129980	AN-GT-04-20M-CR
205	1 25mm	129246	P2B-GTEZ-100-PCR	129531	P2B-GTEZ-05-PCR	129968	AN-GT-05-100-CR
		129247	P2B-GTEZ-25M-PCR			129981	AN-GT-05-25M-CR
206 (GTU)	1-1/8	@	P2B-GTUEZ-102-PCR	129536	P2B-GTUEZ-06-PCR	129969	AN-GT-06-102-CR
	1-3/16	129248	P2B-GTUEZ-103-PCR			129602	AN-GT-06-103-CR
	1-1/4	129249	P2B-GTUEZ-104S-PCR			129603	AN-GT-06-104S-CR
	30mm	129250	P2B-GTUEZ-30M-PCR			129611	AN-GT-06-30M-CR
207	1-1/4	129251	P2B-GTEZ-104-PCR	129532	P2B-GTEZ-07-PCR	129972	AN-GT-07-104-CR
	1-3/8	129392	P2B-GTEZ-106-PCR			129973	AN-GT-07-106-CR
	1-7/16	129252	P2B-GTEZ-107-PCR			129974	AN-GT-07-107-CR
	35mm	129253	P2B-GTEZ-35M-PCR			129983	AN-GT-07-35M-CR
208 (GTB)	1-1/2	129254	P2B-GTBEZ-108-PCR	129535	P2B-GTBEZ-08-PCR	129606	AN-GT-08-108-CR
	40mm	129255	P2B-GTBEZ-40M-PCR			129613	AN-GT-08-40M-CR
209	1-11/16	129256	P2B-GTEZ-111-PCR	129533	P2B-GTEZ-09-PCR	129976	AN-GT-09-111-CR
	1-3/4	129396	P2B-GTEZ-112-PCR			129977	AN-GT-09-112-CR
	45mm	129257	P2B-GTEZ-45M-PCR			129985	AN-GT-09-45M-CR
210	1-15/16	129258	P2B-GTEZ-115-PCR	129534	P2B-GTEZ-10-PCR	129978	AN-GT-10-115-CR
	2	129393	P2B-GTEZ-200-PCR			129979	AN-GT-10-200-CR
	50mm	129259	P2B-GTEZ-50M-PCR			129986	AN-GT-10-50M-CR

FEATURES/BENEFITS PAGE B1-2	SELECTION PAGE B1-5	INTERCHANGE PAGE B1-88	ACCESSORIES PAGE B1-90
--------------------------------	------------------------	---------------------------	---------------------------

# SELECTION/DIMENSIONS



## E-Z KLEEN Mounted Bearings GTEZ Normal Duty Polymer Housed Pillow Blocks

Bearing Quick Reference

E-Z KLEEN

GRIP TIGHT Adapter Ball Bearing

Set Screw Ball Bearing

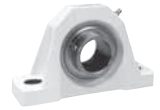
Eccentric Collar Ball Bearing

Series	Shaft Size	Weight lbs kg	A	B	C	D		F Bolt Dia.	G	H	J	L	M	R#	S#	Z
						min.	max.									
204	3/4	0.9	1-15/32	5-1/32	1-31/64	3-43/64	3-59/64	3/8	19/32	39/64	2-5/8	1-1/2	1-5/16	31/64	63/64	1-3/64
	20 mm	0.4	37.3	127.8	37.7	93.3	99.6	M10	15.1	15.5	66.7	38.1	33.3	12.3	25	26.6
205	1	1.1	1-29/64	5-1/2	1-31/64	3-31/32	4-13/64	3/8	19/32	39/64	2-55/64	1-51/64	1-7/16	1/2	61/64	1-1/64
	25 mm	0.5	36.9	139.7	37.7	100.8	106.8	M10	15.1	15.5	72.6	45.6	36.5	12.8	24.2	25.8
206 (GTU)	1-1/8	1.8	1-39/64	6-5/16	1-25/32	4-39/64	4-57/64	1/2	23/32	45/64	3-11/32	2-5/64	1-11/16	17/32	1-5/64	1-1/8
	30 mm	0.8	40.9	160.3	45.2	116.9	124.2	M12	18.3	17.9	84.9	52.8	42.9	13.5	27.4	28.6
207	1-1/4	2.5	1-5/8	6-35/64	1-7/8	4-13/16	5-1/8	1/2	23/32	23/32	3-57/64	2-3/8	1-7/8	9/16	1-1/16	1-9/64
	35 mm	1.1	41.3	166.3	47.6	122.2	130.2	M12	18.3	18.3	98.8	60.3	47.6	14.3	27	29.0
208 (GTB)	1-1/2	3.0	1-27/32	7-13/64	2-7/64	5-7/64	5-41/64	1/2	7/8	49/64	4-11/64	2-5/8	1-15/16	21/32	1-3/16	1-15/64
	40 mm	1.4	46.8	183.0	53.6	129.6	143.3	M12	22.2	19.4	106	66.7	49.2	16.7	30.2	31.4
209	1-11/16	3.4	1-55/64	7-13/64	2-7/64	5-31/32	5-27/64	1/2	7/8	27/32	4-5/16	2-5/64	2-1/8	21/32	1-3/16	1-9/32
	45 mm	1.6	47.2	183.0	53.6	137.7	151.6	M12	22.2	21.4	109.5	72.6	54	16.7	30.2	32.5
210	1-15/16	4.2	1-55/64	8-1/16	2-23/64	6	6-9/16	5/8	1	59/64	4-9/16	3-1/8	2-1/4	21/32	1-13/64	1-9/32
	50 mm	1.7	47.2	204.8	59.9	152.4	166.7	M16	25.4	23.4	115.9	79.4	57.2	16.7	30.6	32.5

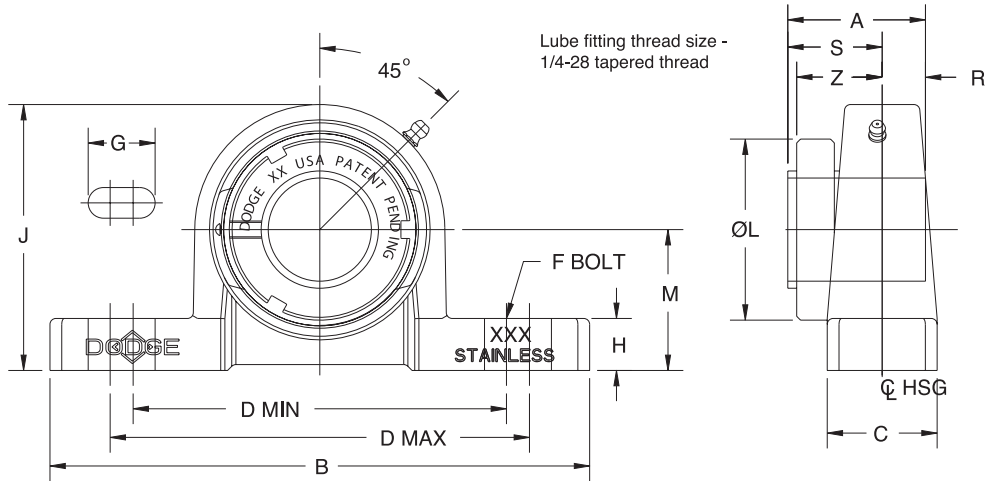
#R & S dimensions will vary slightly depending on true shaft diameter

FEATURES/BENEFITS PAGE B1-2	SELECTION PAGE B1-5	INTERCHANGE PAGE B1-88	ACCESSORIES PAGE B1-90
--------------------------------	------------------------	---------------------------	---------------------------

# SELECTIONS/DIMENSIONS



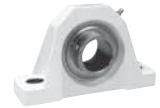
## E-Z KLEEN Mounted Bearings GTEZ NORMAL DUTY STAINLESS STEEL HOUSED PILLOW BLOCKS



Series	Shaft Size	Complete Unit		Unit Without Adapter		Adapter & Nut Assembly	
		Part No.	Description	Part No.	Description	Part No.	Description
204	3/4 20mm	129260	P2B-GTEZ-012-SHCR	129559	P2B-GTEZ-04-SHCR	129967	AN-GT-04-012-CR
		129261	P2B-GTEZ-20M-SHCR			129980	AN-GT-04-20M-CR
205	1 25mm	129262	P2B-GTEZ-100-SHCR	129560	P2B-GTEZ-05-SHCR	129968	AN-GT-05-100-CR
		129263	P2B-GTEZ-25M-SHCR			129981	AN-GT-05-25M-CR
206	1-1/8	064994	P2B-GTEZ-102-SHCR	129561	P2B-GTEZ-06-SHCR	129969	AN-GT-06-102-CR
	1-3/16	129264	P2B-GTEZ-103-SHCR			129970	AN-GT-06-103-CR
	1-1/4	@	P2B-GTEZ-104S-SHCR			129971	AN-GT-06-104-CR
	30mm	@	P2B-GTEZ-30M-SHCR			129982	AN-GT-06-30M-CR
206 (GTU)	1-1/8	@	P2B-GTUEZ-102-SHCR	129566	P2B-GTUEZ-06-SHCR	129969	AN-GT-06-102-CR
	1-3/16	129265	P2B-GTUEZ-103-SHCR			129602	AN-GT-06-103-CR
	1-1/4	129266	P2B-GTUEZ-104S-SHCR			129605	AN-GT-06-104S-CR
	30mm	129267	P2B-GTUEZ-30M-SHCR			129612	AN-GT-06-30M-CR
207	1-1/4	129268	P2B-GTEZ-104-SHCR	129562	P2B-GTEZ-07-SHCR	129972	AN-GT-07-104-CR
	1-3/8	067678	P2B-GTEZ-106-SHCR			129973	AN-GT-07-106-CR
	1-7/16	129269	P2B-GTEZ-107-SHCR			129974	AN-GT-07-107-CR
	35mm	129270	P2B-GTEZ-35M-SHCR			129983	AN-GT-07-35M-CR
208	1-1/2	129271	P2B-GTEZ-108-SHCR	129563	P2B-GTEZ-08-SHCR	129975	AN-GT-08-108-CR
	40mm	@	P2B-GTEZ-40M-SHCR			129984	AN-GT-08-40M-CR
208 (GTB)	1-1/2	129272	P2B-GTBEZ-108-SHCR	129565	P2B-GTBEZ-08-SHCR	129606	AN-GT-08-108-CR
	40mm	129273	P2B-GTBEZ-40M-SHCR			129613	AN-GT-08-40M-CR
210	1-15/16	129274	P2B-GTEZ-115-SHCR	129564	P2B-GTEZ-10-SHCR	129978	AN-GT-10-115-CR
	2 50mm	@	P2B-GTEZ-200-SHCR			129979	AN-GT-10-200-CR
		129275	P2B-GTEZ-50M-SHCR			129986	AN-GT-10-50M-CR

FEATURES/BENEFITS PAGE B1-2	SELECTION PAGE B1-5	INTERCHANGE PAGE B1-88	ACCESSORIES PAGE B1-90
--------------------------------	------------------------	---------------------------	---------------------------

# SELECTION/DIMENSIONS



## E-Z KLEEN Mounted Bearings GTEZ NORMAL DUTY STAINLESS STEEL HOUSED PILLOW BLOCKS

Bearing Quick Reference

E-Z KLEEN

GRIP TIGHT Adapter Ball Bearing

Set Screw Ball Bearing

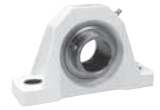
Eccentric Collar Ball Bearing

Series	Shaft Size	Weight lbs kg	A	B	C	D		F Bolt Dia.	G	H	J	L	M	R#	S#	Z
						min.	max.									
204	3/4	1.46	1-15/32	5	1	3-3/8	4-3/16	3/8	27/32	1/2	2-1/2	1-1/2	1-5/16	31/64	63/64	1-3/64
	20mm	0.65	37.3	127.0	25.4	85.7	106.4	M10	21.4	12.7	63.5	38.1	33.3	12.3	25	26.7
205	1	1.92	1-29/64	5-1/2	1-1/8	3-11/16	4-1/2	3/8	27/32	17/32	2-23/32	1-51/64	1-7/16	1/2	61/64	1-1/64
	25mm	0.83	36.9	139.7	28.6	93.7	114.3	M10	21.4	13.5	68.7	45.6	36.5	12.7	24.2	25.9
206	1-1/8	2.60	1-39/64	6-1/4	1-1/4	4-17/64	5	1/2	15/16	17/32	3-1/8	2-5/64	1-5/8	17/32	1-5/64	1-1/8
	1-3/16															
	1-1/4	1.18	40.9	158.8	31.8	108.3	127	M12	23.8	13.5	79.4	52.8	41.3	13.5	27.4	28.7
206 (GTU)	1-1/8	2.65	1-39/64	6-1/4	1-1/4	4-17/64	5	1/2	15/16	19/32	3-3/16	2-5/64	1-11/16	17/32	1-5/64	1-1/8
	1-3/16															
	1-1/4	1.18	40.9	158.8	31.8	108.3	127	M12	23.8	15.1	81.0	52.8	42.9	13.5	27.4	28.7
207	1-1/4	3.83	1-5/8	6-1/2	1-3/8	4-11/16	5-7/16	1/2	15/16	9/16	3-5/8	2-3/8	1-7/8	9/16	1-1/16	1-9/64
	1-3/8															
	1-7/16	1.75	41.3	165.1	34.9	119.1	138.1	M12	23.8	14.3	92.1	60.3	47.6	14.3	27	29.1
208	1-1/2	4.90	1-27/32	7	1-1/2	5-3/16	6	1/2	31/32	3/4	4	2-5/8	2-1/8	21/32	1-3/16	1-15/64
	40mm	2.22	46.8	177.8	38.1	131.8	152.4	M12	24.6	19.1	101.6	66.7	54	16.7	30.2	31.5
208 (GTB)	1-1/2	4.85	1-27/32	7	1-1/2	5-3/16	6	1/2	31/32	9/16	3-13/16	2-5/8	1-15/16	21/32	1-3/16	1-15/64
	40mm	2.22	46.8	177.8	38.1	131.8	152.4	M12	24.6	14.3	96.8	66.7	49.2	16.7	30.2	31.5
210	1-15/16	6.14	1-55/64	8	1-5/8	5-49/64	6-11/16	5/8	1-9/64	5/8	4-5/16	3-1/8	2-1/4	21/32	1-13/64	1-9/32
	2 50mm	2.62	47.2	203.2	41.3	146.4	169.9	M16	29	15.9	109.5	79.4	57.2	16.7	30.6	32.6

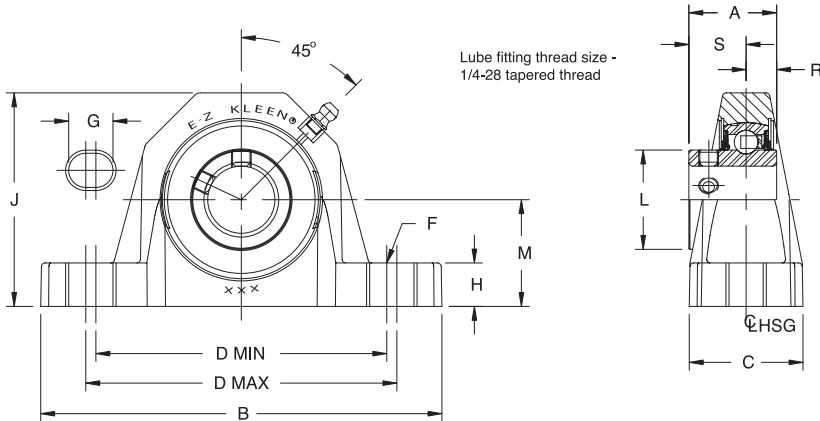
#R & S dimensions will vary slightly depending on true shaft diameter

FEATURES/BENEFITS PAGE B1-2	SELECTION PAGE B1-5	INTERCHANGE PAGE B1-88	ACCESSORIES PAGE B1-90
--------------------------------	------------------------	---------------------------	---------------------------

# SELECTIONS/DIMENSIONS



## E-Z KLEEN Mounted Bearings SCEZ NORMAL DUTY POLYMER HOUSED PILLOW BLOCKS



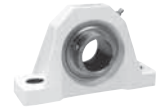
Series	Shaft Size	With Corrosion Resistant Insert		Standard Insert With Flingers	
		Part No.	Description	Part No.	Description
204	1/2	@	P2B-SCEZ-008L-PCR*	@	P2B-SCEZ-008L-P
	5/8	<b>068322</b>	P2B-SCEZ-010L-PCR*	<b>064572</b>	P2B-SCEZ-010L-P
	3/4	<b>127500</b>	P2B-SCEZ-012-PCR	@	P2B-SCEZ-012-P
	20 mm	<b>127545</b>	<i>P2B-SCEZ-20M-PCR</i>	@	<i>P2B-SCEZ-20M-P</i>
205	7/8	<b>064839</b>	P2B-SCEZ-014-PCR*	<b>062837</b>	P2B-SCEZ-014-P
	15/16	<b>058975</b>	P2B-SCEZ-015-PCR*	@	P2B-SCEZ-015-P
	1	<b>127501</b>	P2B-SCEZ-100-PCR	<b>058597</b>	P2B-SCEZ-100-P
	25 mm	<b>127546</b>	<i>P2B-SCEZ-25M-PCR</i>	@	<i>P2B-SCEZ-25M-P</i>
206	1-1/8	@	P2B-SCUEZ-102-PCR*	<b>067919</b>	P2B-SCUEZ-102-P
	1-3/16	<b>127502</b>	P2B-SCUEZ-103-PCR	@	P2B-SCUEZ-103-P
	1-1/4	<b>127503</b>	P2B-SCUEZ-104S-PCR	<b>058596</b>	P2B-SCUEZ-104S-P
	30 mm	<b>127547</b>	P2B-SCUEZ-30M-PCR	@	P2B-SCUEZ-30M-P
207	1-1/4	<b>127504</b>	P2B-SCEZ-104-PCR	<b>065655</b>	P2B-SCEZ-104-P
	1-5/16	<b>059722</b>	P2B-SCEZ-105-PCR*	@	P2B-SCEZ-105-P
	1-3/8	<b>058944</b>	P2B-SCEZ-106-PCR*	@	P2B-SCEZ-106-P
	1-7/16	<b>127505</b>	P2B-SCEZ-107-PCR	<b>064064</b>	P2B-SCEZ-107-P
35 mm	<b>127548</b>	<i>P2B-SCEZ-35M-PCR</i>	@	<i>P2B-SCEZ-35M-P</i>	
208	1-1/2	<b>127506</b>	P2B-SCBEZ-108-PCR	@	P2B-SCBEZ-108-P
	1-5/8	<b>068495</b>	P2B-SCBEZ-110-PCR*	@	P2B-SCBEZ-110-P
	40 mm	<b>127549</b>	<i>P2B-SCBEZ-40M-PCR</i>	@	<i>P2B-SCBEZ-40M-P</i>
209	1-5/8	@	P2B-SCBEZ-110L-PCR*	@	P2B-SCBEZ-110L-P
	1-11/16	<b>127507</b>	P2B-SCEZ-111-PCR	<b>067996</b>	P2B-SCEZ-111-P
	1-3/4	<b>058931</b>	P2B-SCEZ-112-PCR	@	P2B-SCEZ-112-P
	45 mm	<b>127550</b>	<i>P2B-SCEZ-45M-PCR</i>	@	<i>P2B-SCEZ-45M-P</i>
210	1-15/16	<b>127508</b>	P2B-SCEZ-115-PCR	<b>056497</b>	P2B-SCEZ-115-P
	2	<b>057898</b>	P2B-SCEZ-200-PCR	@	P2B-SCEZ-200-P
	50 mm	<b>127551</b>	<i>P2B-SCEZ-50M-PCR</i>	@	<i>P2B-SCEZ-50M-P</i>

@ Assembled to order

\* 20 piece minimum

FEATURES/BENEFITS PAGE B1-2	SELECTION PAGE B1-5	INTERCHANGE PAGE B1-88	ACCESSORIES PAGE B1-90
--------------------------------	------------------------	---------------------------	---------------------------

# SELECTION/DIMENSIONS

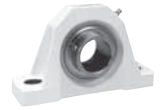


## E-Z KLEEN Mounted Bearings SCEZ NORMAL DUTY POLYMER HOUSED PILLOW BLOCKS

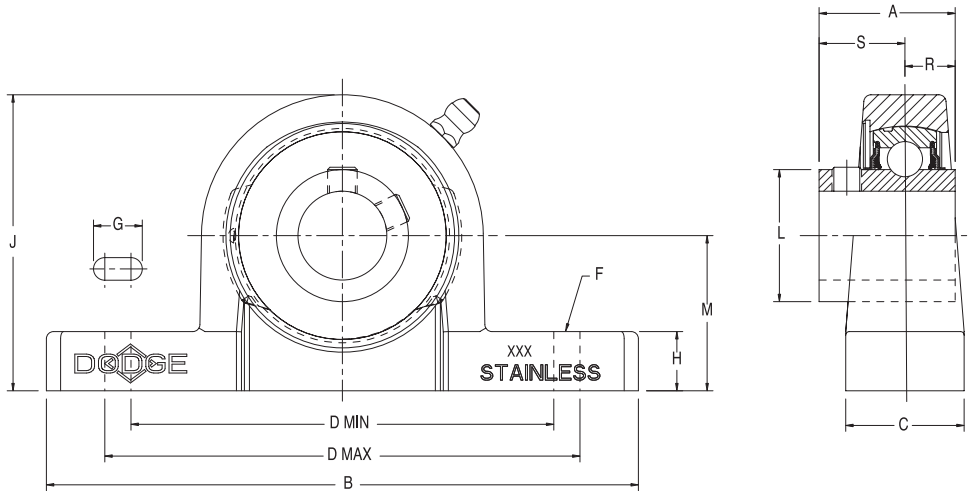
Size	Shaft Series	Weight lbs kg	A	B	C	D		F Bolt Dia.	G	H	J	L	M	R	S
						min.	max.								
204	1/2	0.68	1-5/32	5-1/32	1-31/64	3-43/64	3-59/64	3/8	19/32	39/64	2-5/8	1-1/8	1-5/16	27/64	47/64
	5/8	0.66													
	3/4 20 mm	0.64 0.30	29.4	127.8	37.7	93.3	99.6	M10	15.1	15.5	66.7	28.6	33.3	10.7	18.7
205	7/8	0.73	1-3/16	5-1/2	1-31/64	3-31/32	4-13/64	3/8	19/32	39/64	2-55/64	1-21/64	1-7/16	27/64	49/64
	15/16	0.71													
	1 25 mm	0.69 0.32	30.2	139.7	37.7	100.8	106.8	M10	15.1	15.5	72.6	33.7	36.5	10.7	19.4
206	1-1/8	1.15	1-25/64	6-5/16	1-25/32	4-39/64	4-57/64	1/2	23/32	45/64	3-11/32	1-37/64	1-11/16	31/64	29/32
	1-3/16	1.13													
	1-1/4 30 mm	1.11 0.51	35.3	160.3	45.2	116.9	124.2	M12	18.3	17.9	84.9	40.1	42.9	12.3	23
207	1-1/4	1.68	1-17/32	6-35/64	1-7/8	4-13/16	5-1/8	1/2	23/32	23/32	3-57/64	1-27/32	1-7/8	1/2	1-1/32
	1-5/16	1.63													
	1-3/8 1-7/16 35 mm	1.58 1.52 0.74	38.9	166.3	47.8	122.2	130.2	M12	18.3	18.3	98.8	46.8	47.6	12.7	26.2
208	1-1/2	2.08	1-11/16	7-13/64	2-7/64	5-7/64	5-41/64	1/2	7/8	49/64	4-11/64	2-3/64	1-15/16	19/32	1-3/32
	1-5/8	2.00													
	40 mm	0.88	42.9	183.0	53.6	129.6	143.3	M12	22.2	19.4	106	52	49.2	15.1	27.8
209	1-5/8	2.41	1-23/32	7-13/64	2-7/64	5-27/64	5-31/32	1/2	7/8	27/32	4-5/16	2-7/32	2-1/8	19/32	1-1/8
	1-11/16	2.34													
	1-3/4 45 mm	2.27 1.03	43.7	183.0	53.6	137.7	151.6	M12	22.2	21.4	109.5	56.4	54	15.1	28.6
210	1-15/16	2.65	1-3/4	8-1/16	2-23/64	6	6-9/16	5/8	1	59/64	4-9/16	2-7/16	2-1/4	19/32	1-5/32
	2	2.58													
	50 mm	1.30	44.5	204.8	59.9	152.4	166.7	M16	25.4	23.4	115.9	61.9	57.2	15.1	29.4

FEATURES/BENEFITS PAGE B1-2	SELECTION PAGE B1-5	INTERCHANGE PAGE B1-88	ACCESSORIES PAGE B1-90
--------------------------------	------------------------	---------------------------	---------------------------

# SELECTIONS/DIMENSIONS



## E-Z KLEEN Mounted Bearings SCEZ NORMAL DUTY STAINLESS STEEL HOUSED PILLOW BLOCKS



Series	Shaft Size	With Corrosion Resistant Insert		Standard Insert with Flingers	
		Part No.	Description	Part No.	Description
204	1/2	@	P2B-SCEZ-008L-SHCR	@	P2B-SCEZ-008L-SH
	5/8	<b>068236</b>	P2B-SCEZ-010L-SHCR*	@	P2B-SCEZ-010L-SH
	3/4	<b>127670</b>	P2B-SCEZ-012-SHCR	<b>059870</b>	P2B-SCEZ-012-SH
	20mm	<b>127697</b>	<i>P2B-SCEZ-20M-SHCR</i>	@	<i>P2B-SCEZ-20M-SH</i>
205	7/8	<b>056553</b>	P2B-SCEZ-014-SHCR*	<b>049996</b>	P2B-SCEZ-014-SH
	15/16	<b>067839</b>	P2B-SCEZ-015-SHCR*	@	P2B-SCEZ-015-SH
	1	<b>127671</b>	P2B-SCEZ-100-SHCR	<b>056796</b>	P2B-SCEZ-100-SH
	25mm	<b>127698</b>	<i>P2B-SCEZ-25M-SHCR</i>	@	<i>P2B-SCEZ-25M-SH</i>
206	1-1/8	@	P2B-SCEZ-102-SHCR*	<b>056548</b>	P2B-SCEZ-102-SH
	1-3/16	<b>127672</b>	P2B-SCEZ-103-SHCR	<b>056797</b>	P2B-SCEZ-103-SH
	1-1/4	<b>127674</b>	P2B-SCEZ-104S-SHCR	<b>067630</b>	P2B-SCEZ-104S-SH
	30mm	@	<i>P2B-SCEZ-30M-SHCR</i>	@	<i>P2B-SCEZ-30M-SH</i>
206 (SCU)	1-1/8	@	P2B-SCUEZ-102-SHCR*	@	P2B-SCUEZ-102-SH
	1-3/16	<b>127673</b>	P2B-SCUEZ-103-SHCR	@	P2B-SCUEZ-103-SH
	1-1/4	<b>127675</b>	P2B-SCUEZ-104S-SHCR	@	P2B-SCUEZ-104S-SH
	30mm	<b>127699</b>	<i>P2B-SCUEZ-30M-SHCR</i>	@	<i>P2B-SCUEZ-30M-SH</i>

@ Assembled to order  
\*20 piece minimum

FEATURES/BENEFITS PAGE B1-2	SELECTION PAGE B1-5	INTERCHANGE PAGE B1-88	ACCESSORIES PAGE B1-90
--------------------------------	------------------------	---------------------------	---------------------------



# SELECTION/DIMENSIONS



## E-Z KLEEN Mounted Bearings SCEZ NORMAL DUTY STAINLESS STEEL HOUSED PILLOW BLOCKS

Bearing Quick Reference

E-Z KLEEN

GRIP TIGHT Adapter Ball Bearing

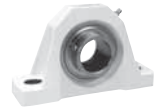
Set Screw Ball Bearing

Eccentric Collar Ball Bearing

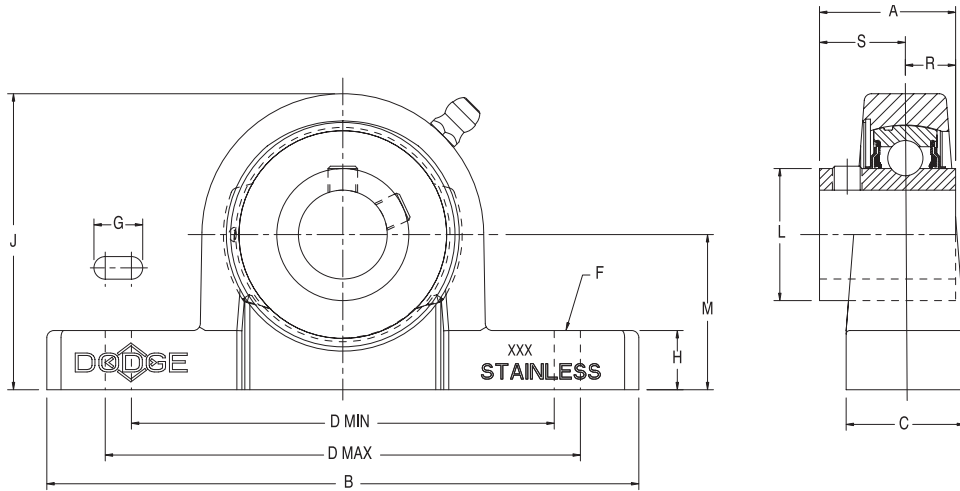
Series	Shaft Size	Weight lbs kg	A	B	C	D		F Bolt Dia.	G	H	J	L	M	R	S
						min.	max.								
204	1/2	1.39	1-5/32	5	1	3-3/8	4-3/16	3/8	27/32	1/2	2-1/2	1-1/8	1-5/16	27/64	47/64
	5/8	1.35													
	3/4	1.31													
	20mm	0.59	29.4	127.0	25.4	85.7	106.4	M10	21.4	12.7	63.5	28.6	33.3	10.7	18.7
205	7/8	1.65	1-3/16	5-1/2	1-1/8	3-11/16	4-1/2	3/8	27/32	17/32	2-23/32	1-21/64	1-7/16	27/64	49/64
	15/16	1.62													
	1	1.59													
	25mm	0.73	30.2	139.7	28.6	93.7	114.3	M10	21.4	13.5	69.1	33.7	36.5	10.7	19.4
206	1-1/8	2.37	1-25/64	6-1/4	1-1/4	4-17/64	5	1/2	15/16	17/32	3-1/8	1-37/64	1-5/8	31/64	29/32
	1-3/16	2.33													
	1-1/4	2.29													
	30mm	1.06	35.3	158.8	31.8	108.3	127	M12	23.8	13.5	79.4	40.1	41.3	12.3	23
206 (SCU)	1-1/8	2.48	1-25/64	6-1/4	1-1/4	4-17/64	5	1/2	15/16	19/32	3-3/16	1-37/64	1-11/16	31/64	29/32
	1-3/16	2.44													
	1-1/4	2.39													
	30mm	1.11	35.3	158.8	31.8	108.3	127	M12	23.8	15.1	81	40.1	42.9	12.3	23

FEATURES/BENEFITS PAGE B1-2	SELECTION PAGE B1-5	INTERCHANGE PAGE B1-88	ACCESSORIES PAGE B1-90
--------------------------------	------------------------	---------------------------	---------------------------

# SELECTIONS/DIMENSIONS



## E-Z KLEEN Mounted Bearings SCEZ NORMAL DUTY STAINLESS STEEL HOUSED PILLOW BLOCKS



Series	Shaft Size	With Corrosion Resistant Insert		Standard Insert with Flingers	
		Part No.	Description	Part No.	Description
207	1-1/4	<b>127676</b>	P2B-SCEZ-104-SHCR	<b>059798</b>	P2B-SCEZ-104-SH
	1-3/8	@	P2B-SCEZ-106-SHCR*	<b>056525</b>	P2B-SCEZ-106-SH
	1-7/16	<b>127677</b>	P2B-SCEZ-107-SHCR	<b>059799</b>	P2B-SCEZ-107-SH
	35mm	<b>127700</b>	P2B-SCEZ-35M-SHCR	@	P2B-SCEZ-35M-SH
208	1-1/2	<b>127678</b>	P2B-SCEZ-108-SHCR	<b>056565</b>	P2B-SCEZ-108-SH
	1-5/8	@	P2B-SCEZ-110-SHCR*	<b>062874</b>	P2B-SCEZ-110-SH
	40mm	@	P2B-SCEZ-40M-SHCR	@	P2B-SCEZ-40M-SH
208 (SCB)	1-1/2	<b>127679</b>	P2B-SCBEZ-108-SHCR	@	P2B-SCBEZ-108-SH
	40mm	<b>127701</b>	P2B-SCBEZ-40M-SHCR	@	P2B-SCBEZ-40M-SH
210	1-11/16	@	P2B-SCMEZ-111-SHCR	@	P2B-SCMEZ-111-SH
	1-15/16	<b>127680</b>	P2B-SCEZ-115-SHCR	<b>056800</b>	P2B-SCEZ-115-SH
	2	@	P2B-SCEZ-200-SHCR	<b>062879</b>	P2B-SCEZ-200-SH
	50mm	<b>127702</b>	P2B-SCEZ-50M-SHCR	@	P2B-SCEZ-50M-SH

@ Assembled to order  
\*20 piece minimum

FEATURES/BENEFITS PAGE B1-2	SELECTION PAGE B1-5	INTERCHANGE PAGE B1-88	ACCESSORIES PAGE B1-90
--------------------------------	------------------------	---------------------------	---------------------------

# SELECTION/DIMENSIONS



## E-Z KLEEN Mounted Bearings SCEZ NORMAL DUTY STAINLESS STEEL HOUSED PILLOW BLOCKS

Bearing Quick Reference

E-Z KLEEN

GRIP TIGHT Adapter Ball Bearing

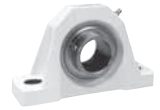
Set Screw Ball Bearing

Eccentric Collar Ball Bearing

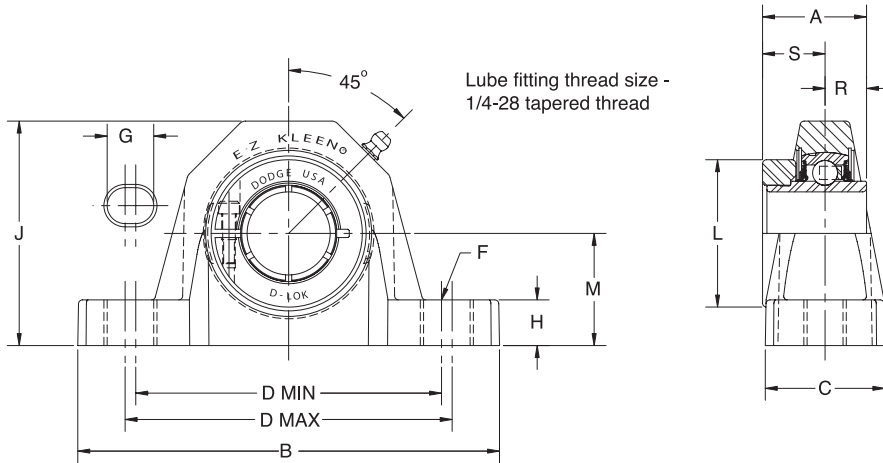
Size	Shaft Series	Weight lbs kg	A	B	C	D		F Bolt Dia.	G	H	J	L	M	R	S
						min.	max.								
207	1-1/4	3.36	1-17/32	6-1/2	1-3/8	4-11/16	5-7/16	1/2	15/16	9/16	3-5/8	1-27/32	1-7/8	1/2	1-1/32
	1-3/8	3.25													
	1-7/16	3.19													
	35mm	1.47	38.9	165.1	34.9	119.1	138.1	M12	23.8	14.3	92.1	46.8	47.6	12.7	26.2
208	1-1/2	4.39	1-11/16	7	1-1/2	5-3/16	6	1/2	31/32	3/4	4	2-3/64	2-1/8	19/32	1-3/32
	1-5/8														
	40mm	1.95	42.9	177.8	38.1	131.8	152.4	M12	24.6	19.1	101.6	52	54	15.1	27.8
208 (SCB)	1-1/2	3.93	1-11/16	7	1-1/2	5-3/16	6	1/2	31/32	9/16	3-13/16	2-3/64	1-15/16	19/32	1-3/32
	40mm	1.74	42.9	177.8	38.1	131.8	152.4	M12	24.6	14.3	96.8	52	49.2	15.1	27.8
210	1-11/16	5.14	1-3/4	8	1-5/8	5-49/64	6-11/16	5/8	1-9/64	5/8	4-5/16	2-7/16	2-1/4	19/32	1-5/32
	1-15/16	5.09													
	50mm	2.29	44.6	203.2	41.3	146.4	169.9	M16	29	15.9	109.5	61.9	57.2	15.1	29.4

FEATURES/BENEFITS PAGE B1-2	SELECTION PAGE B1-5	INTERCHANGE PAGE B1-88	ACCESSORIES PAGE B1-90
--------------------------------	------------------------	---------------------------	---------------------------

# SELECTIONS/DIMENSIONS



## E-Z KLEEN Mounted Bearings DLEZ NORMAL DUTY POLYMER HOUSED PILLOW BLOCKS



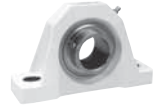
Series	Shaft Size	With Corrosion Resistant Insert		Standard Insert With Flingers	
		Part No.	Description	Part No.	Description
204	3/4	<b>127578</b>	P2B-DLEZ-012-PCR	@	P2B-DLEZ-012-P
	20 mm	<b>127623</b>	P2B-DLEZ-20M-PCR	@	P2B-DLEZ-20M-P
205	7/8	@	P2B-DLEZ-014-PCR*	@	P2B-DLEZ-014-P
	15/16	@	P2B-DLEZ-015-PCR*	@	P2B-DLEZ-015-P
	1	<b>127579</b>	P2B-DLEZ-100-PCR	@	P2B-DLEZ-100-P
	25 mm	<b>127624</b>	P2B-DLEZ-25M-PCR	@	P2B-DLEZ-25M-P
206 (DLU)	1-1/8	@	P2B-DLUEZ-102-PCR*	@	P2B-DLUEZ-102-P
	1-3/16	<b>127580</b>	P2B-DLUEZ-103-PCR	@	P2B-DLUEZ-103-P
	1-1/4	<b>127581</b>	P2B-DLUEZ-104S-PCR	@	P2B-DLUEZ-104S-P
	30 mm	<b>127625</b>	P2B-DLUEZ-30M-PCR	@	P2B-DLUEZ-30M-P
207	1-1/4	<b>127582</b>	P2B-DLEZ-104-PCR	@	P2B-DLEZ-104-P
	1-3/8	@	P2B-DLEZ-106-PCR*	@	P2B-DLEZ-106-P
	1-7/16	<b>127583</b>	P2B-DLEZ-107-PCR	@	P2B-DLEZ-107-P
	35 mm	<b>127626</b>	P2B-DLEZ-35M-PCR	@	P2B-DLEZ-35M-P
208 (DLB)	1-1/2	<b>127584</b>	P2B-DLBEZ-108-PCR	@	P2B-DLBEZ-108-P
	40 mm	<b>127627</b>	P2B-DLBEZ-40M-PCR	@	P2B-DLBEZ-40M-P
209	1-5/8	<b>057442</b>	P2B-DLEZ-110L-PCR*	@	P2B-DLEZ-110L-P
	1-11/16	<b>127585</b>	P2B-DLEZ-111-PCR	@	P2B-DLEZ-111-P
	1-3/4	<b>062875</b>	P2B-DLEZ-112-PCR*	@	P2B-DLEZ-112-P
	45 mm	<b>127628</b>	P2B-DLEZ-45M-PCR	@	P2B-DLEZ-45M-P
210	1-15/16	<b>127586</b>	P2B-DLEZ-115-PCR	@	P2B-DLEZ-115-P
	2	<b>058516</b>	P2B-DLEZ-200-PCR	@	P2B-DLEZ-200-P
	50 mm	<b>127629</b>	P2B-DLEZ-50M-PCR	@	P2B-DLEZ-50M-P

@ Assembled to order

\* 20 piece minimum

FEATURES/BENEFITS PAGE B1-2	SELECTION PAGE B1-5	INTERCHANGE PAGE B1-88	ACCESSORIES PAGE B1-90
--------------------------------	------------------------	---------------------------	---------------------------

# SELECTION/DIMENSIONS



## E-Z KLEEN Mounted Bearings DLEZ NORMAL DUTY POLYMER HOUSED PILLOW BLOCKS

Bearing Quick Reference

E-Z KLEEN

GRIP TIGHT Adapter Ball Bearing

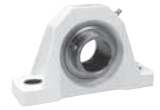
Set Screw Ball Bearing

Eccentric Collar Ball Bearing

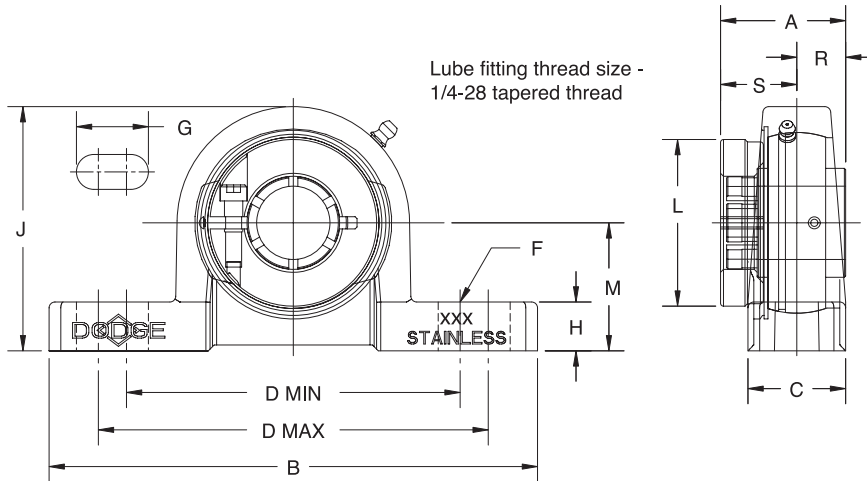
Size	Shaft Series	Weight lbs kg	A	B	C	D		F Bolt Dia.	G	H	J	L	M	R	S
						min.	max.								
204	3/4	0.92	1-9/32	5-1/32	1-31/64	3-43/64	3-59/64	3/8	19/32	39/64	2-5/8	1-45/64	1-5/16	1/2	25/32
	20 mm	0.42	32.5	127.8	37.7	93.3	99.6	M10	15.1	15.5	66.7	43.3	33.3	12.7	19.8
205	7/8	1.32	1-7/16	5-1/2	1-31/64	3-31/32	4-13/64	3/8	19/32	39/64	2-55/64	2	1-7/16	9/16	7/8
	15/16	1.22													
	1	1.12													
	25 mm	0.51	36.5	139.7	37.7	100.8	106.8	M10	15.1	15.5	72.6	50.8	36.5	14.3	22.2
206 (DLU)	1-1/8	1.83	1-9/16	6-5/16	1-25/32	4-39/64	4-57/64	1/2	23/32	45/64	3-11/32	2-7/32	1-11/16	5/8	15/16
	1-3/16	1.73													
	1-1/4	1.63													
	30 mm	0.79	39.7	160.3	45.2	116.9	124.2	M12	18.3	17.9	84.9	56.4	42.9	15.9	23.8
207	1-1/4	2.46	1-3/4	6-35/64	1-7/8	4-13/16	5-1/8	1/2	23/32	23/32	3-57/64	2-11/16	1-7/8	11/16	1-1/16
	1-3/8	2.41													
	1-7/16	2.36													
	35 mm	1.13	44.5	166.3	47.8	122.2	130.2	M12	18.3	18.3	98.8	68.3	47.6	17.5	27.0
208 (DLB)	1-1/2	3.01	2	7-13/64	2-7/64	5-7/64	5-41/64	1/2	7/8	49/64	4-11/64	2-47/64	1-15/16	3/4	1-1/4
	40 mm	1.39	50.8	183.0	53.6	129.6	143.3	M12	22.2	19.4	106	69.5	49.2	19.1	31.8
209	1-5/8	3.51	2	7-13/64	2-7/64	5-27/64	5-31/32	1/2	7/8	27/32	4-5/16	2-63/64	2-1/8	3/4	1-1/4
	1-11/16	3.41													
	1-3/4	3.31													
	45 mm	1.56	50.8	183.0	53.6	137.7	151.6	M12	22.2	21.4	109.5	75.8	54	19.1	31.8
210	1-15/16	4.17	2-3/32	8-1/16	2-23/64	6	6-9/16	5/8	1	59/64	4-9/16	3-15/64	2-1/4	3/4	1-11/32
	2	4.07													
	50 mm	1.68	53.2	204.8	59.9	152.4	166.7	M16	25.4	23.4	115.9	82.2	57.2	19.1	34.1

FEATURES/BENEFITS PAGE B1-2	SELECTION PAGE B1-5	INTERCHANGE PAGE B1-88	ACCESSORIES PAGE B1-90
--------------------------------	------------------------	---------------------------	---------------------------

# SELECTIONS/DIMENSIONS



## E-Z KLEEN Mounted Bearings DLEZ NORMAL DUTY STAINLESS STEEL HOUSED PILLOW BLOCKS

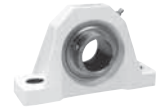


Series	Shaft Size	Part No.	Description
204	3/4	<b>127715</b>	P2B-DLEZ-012-SHCR
	20mm	<b>127739</b>	P2B-DLEZ-20M-SHCR
205	7/8	@	P2B-DLEZ-014-SHCR*
	15/16	@	P2B-DLEZ-015-SHCR*
	1	<b>127716</b>	P2B-DLEZ-100-SHCR
	25mm	<b>127740</b>	P2B-DLEZ-25M-SHCR
206	1-1/8	@	P2B-DLEZ-102-SHCR*
	1-3/16	<b>127717</b>	P2B-DLEZ-103-SHCR
	1-1/4	<b>127718</b>	P2B-DLEZ-104S-SHCR
	30mm	<b>127741</b>	P2B-DLEZ-30M-SHCR
206 (DLU)	1-1/8	@	P2B-DLUEZ-102-SHCR*
	1-3/16	@	P2B-DLUEZ-103-SHCR
	1-1/4	@	P2B-DLUEZ-104S-SHCR
	30mm	@	P2B-DLUEZ-30M-SHCR
207	1-1/4	<b>127719</b>	P2B-DLEZ-104-SHCR
	1-3/8	@	P2B-DLEZ-106-SHCR*
	1-7/16	<b>127720</b>	P2B-DLEZ-107-SHCR
208	35mm	<b>127742</b>	P2B-DLEZ-35M-SHCR
	1-1/2	<b>127721</b>	P2B-DLEZ-108-SHCR
	40mm	<b>127743</b>	P2B-DLEZ-40M-SHCR
208 (DLB)	1-1/2	<b>049469</b>	P2B-DLBEZ-108-SHCR
	40mm	@	P2B-DLBEZ-40M-SHCR
210	1-11/16	@	P2B-DLMEZ-111-SHCR*
	1-15/16	<b>127722</b>	P2B-DLEZ-115-SHCR
	50mm	<b>127744</b>	P2B-DLEZ-50M-SHCR

@ Assembled to order \*20 piece minimum

FEATURES/BENEFITS PAGE B1-2	SELECTION PAGE B1-5	INTERCHANGE PAGE B1-88	ACCESSORIES PAGE B1-90
--------------------------------	------------------------	---------------------------	---------------------------

# SELECTION/DIMENSIONS

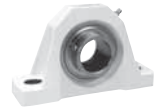


## E-Z KLEEN Mounted Bearings DLEZ NORMAL DUTY STAINLESS STEEL HOUSED PILLOW BLOCKS

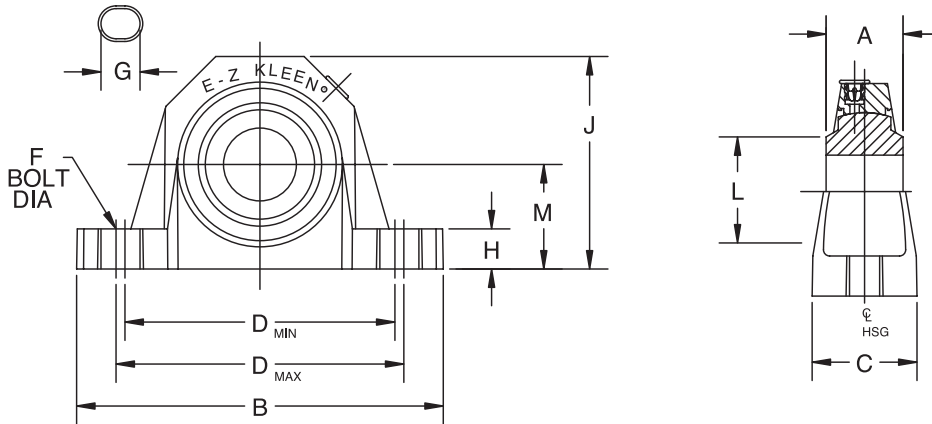
Size	Shaft Series	Weight lbs kg	A	B	C	D		F Bolt Dia.	G	H	J	L	M	R	S
						min.	max.								
204	3/4	1.46	1-9/32	5	1	3-3/8	4-3/16	3/8	27/32	1/2	2-1/2	1-45/64	1-5/16	1/2	25/32
	20mm	0.65	32.5	127.0	25.4	85.7	106.4	M10	21.4	12.7	63.5	43.3	33.3	12.7	19.8
205	7/8	1.92	1-7/16	5-1/2	1-1/8	3-11/16	4-1/2	3/8	27/32	17/32	2-23/32	2	1-7/16	9/16	7/8
	15/16	1.87													
	1	1.82													
206	25mm	0.83	36.5	139.7	28.6	93.7	114.3	M10	21.4	13.5	69.1	50.8	36.5	14.3	22.2
	1-1/8	2.60	1-9/16	6-1/4	1-1/4	4-17/64	5	1/2	15/16	17/32	3-1/8	117/64	1-5/8	5/8	15/16
	1-3/16	2.55													
206 (DLU)	1-1/4	2.50													
	30mm	1.18	39.7	158.8	31.8	108.3	127	M12	23.8	13.5	79.4	56.4	41.3	15.9	23.8
	1-1/8	2.65	1-9/16	6-1/4	1-1/4	4-17/64	5	1/2	15/16	19/32	3-3/16	2-7/32	1-11/16	5/8	15/16
207	1-3/16	2.60													
	1-1/4	2.55													
	30mm	1.18	39.7	158.8	31.8	108.3	127	M12	23.8	15.1	81	56.4	42.9	15.9	23.8
208	1-1/4	3.83	1-3/4	6-1/2	1-3/8	4-11/16	5-7/16	1/2	15/16	9/16	3-5/8	2-11/16	1-7/8	11/16	1-1/16
	1-3/8	3.74													
	1-7/16	3.66													
208 (DLB)	35mm	1.75	44.5	165.1	34.9	119.1	138.1	M12	23.8	14.3	92.1	68.3	47.6	17.5	27
	1-1/2	4.90	2	7	1-1/2	5-3/16	6	1/2	31/32	3/4	4	2-47/64	2-1/8	3/4	1-1/4
	40mm	2.22	50.8	177.8	38.1	131.8	152.4	M12	24.6	19.1	101.6	69.5	54	19.1	31.8
208 (DLB)	1-1/2	4.85	2	7	1-1/2	5-3/16	6	1/2	31/32	9/16	3-13/16	2-47/64	1-15/16	3/4	1-1/4
	40mm	2.22	50.8	177.8	38.1	131.8	152.4	M12	24.6	14.3	96.8	69.5	49.2	19.1	31.8
	1-11/16	6.14	2-3/32	8	1-5/8	5-49/64	6-11/16	5/8	1-9/64	5/8	4-5/16	3-15/64	2-1/4	3/4	1-11/32
210	1-15/16	5.77													
	50mm	2.62	53.2	203.2	41.3	146.4	169.9	M16	29	15.9	109.5	82.2	57.2	19.1	34.1

FEATURES/BENEFITS PAGE B1-2	SELECTION PAGE B1-5	INTERCHANGE PAGE B1-88	ACCESSORIES PAGE B1-90
--------------------------------	------------------------	---------------------------	---------------------------

# SELECTIONS/DIMENSIONS



## E-Z KLEEN Mounted Bearings PSEZ POLYMER SLEEVE, POLYMER HOUSED PILLOW BLOCKS

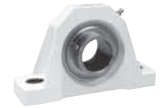


Series	Shaft Size	Part No.	Description
204	3/4	<b>034700</b>	P2B-PSEZ-012-P
	20mm	<b>034748</b>	P2B-PSEZ-20M-P
205	1	<b>034701</b>	P2B-PSEZ-100-P
	25mm	<b>034749</b>	P2B-PSEZ-25M-P
206 (PSU)	1-3/16	<b>034702</b>	P2B-PSUEZ-103-P
	1-1/4	<b>034703</b>	P2B-PSUEZ-104S-P
	30mm	<b>034750</b>	P2B-PSUEZ-30M-P
207	1-1/4	<b>034704</b>	P2B-PSEZ-104-P
	1-7/16	<b>034705</b>	P2B-PSEZ-107-P
	35mm	<b>034751</b>	P2B-PSEZ-35M-P
208 (PSB)	1-1/2	<b>034706</b>	P2B-PSBEZ-108-P
	40mm	<b>034752</b>	P2B-PSBEZ-40M-P
210	1-15/16	<b>034709</b>	P2B-PSEZ-115-P
	50mm	<b>034754</b>	P2B-PSEZ-50M-P

FEATURES/BENEFITS PAGE B1-2	SELECTION PAGE B1-5	INTERCHANGE PAGE B1-88	ACCESSORIES PAGE B1-90
--------------------------------	------------------------	---------------------------	---------------------------



# SELECTION/DIMENSIONS



## E-Z KLEEN Mounted Bearings PSEZ POLYMER SLEEVE, POLYMER HOUSED PILLOW BLOCKS

Bearing Quick Reference

E-Z KLEEN

GRIP TIGHT Adapter Ball Bearing

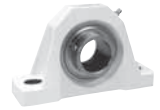
Set Screw Ball Bearing

Eccentric Collar Ball Bearing

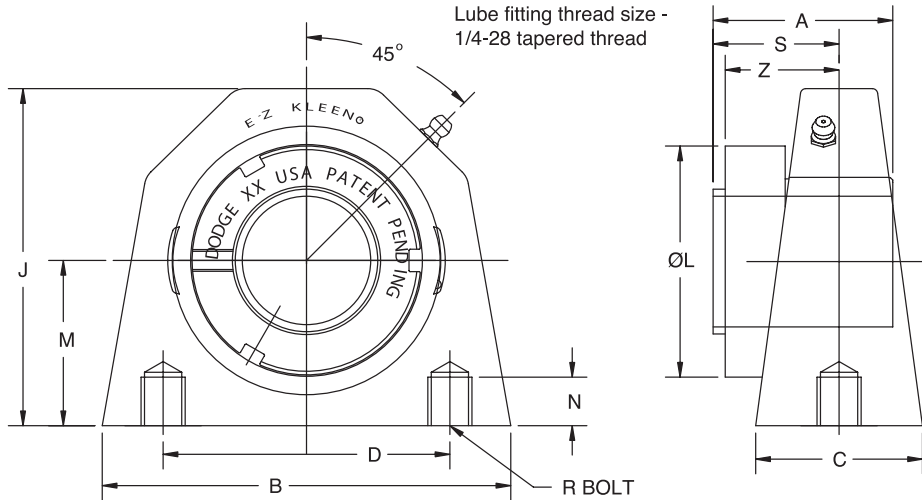
Series	Shaft Size	Weight lb. kg	A	B	C	D		F Bolt Dia	G	H	J	L	M
						Min	Max						
204	3/4	0.57	1	5-1/32	1-31/64	3-31/64	3-59/64	3/8	19/32	39/64	2-5/8	1-5/16	1-5/16
	20mm	0.26	25.4	127.8	37.7	93.3	99.6	M10	15.1	15.5	66.7	33.3	33.3
205	1	0.57	1-1/16	5-1/2	1-31/64	3-31/32	4-13/64	3/8	19/32	39/64	2-55/64	1-7/16	1-7/16
	25mm	0.26	27.0	139.7	37.7	100.8	106.8	M10	15.1	15.5	72.6	36.5	36.5
206 (PSU)	1-3/16	0.89	1-3/16	6-5/16	1-25/32	4-39/64	4-57/64	1/2	23/32	45/64	3-11/32	1-11/16	1-11/16
	1-1/4 30mm	0.88 0.4	30.2	160.3	45.2	116.9	124.2	M12	18.3	17.9	84.9	42.9	42.9
207	1-1/4	1.06	1-5/16	6-35/64	1-7/8	4-13/16	5-1/8	1/2	23/32	23/32	3-57/64	2	1-7/8
	1-7/16 35mm	1.01 0.48	33.3	166.3	47.8	122.2	130.2	M12	18.3	18.3	98.8	50.8	47.6
208 (PSB)	1-1/2	1.27	1-1/2	7-13/64	2-7/64	5-7/64	5-41/64	1/2	7/8	49/64	4-11/64	2	1-15/16
	40mm	0.58	38.1	183.0	53.6	129.6	143.3	M12	22.2	19.4	106.0	50.8	49.2
210	1-15/16	1.67	1-5/8	8-1/16	2-23/64	6	6-9/16	5/8	1.00	59/64	4-9/16	2-9/16	2-1/4
	50mm	0.76	41.3	204.8	59.9	152.4	166.7	M16	25.4	23.4	115.9	65.1	57.2

FEATURES/BENEFITS PAGE B1-2	SELECTION PAGE B1-5	INTERCHANGE PAGE B1-88	ACCESSORIES PAGE B1-90
--------------------------------	------------------------	---------------------------	---------------------------

# SELECTIONS/DIMENSIONS



## E-Z KLEEN Mounted Bearings GTEZ NORMAL DUTY POLYMER HOUSED TAPPED BASE PILLOW BLOCKS

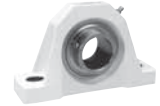


Series	Shaft Size	Complete Unit		Unit Without Adapter		Adapter & Nut Assembly	
		Part No.	Description	Part No.	Description	Part No.	Description
204	3/4 20mm	<b>129291</b>	TB-GTEZ-012-PCR	<b>129537</b>	TB-GTEZ-04-PCR	<b>129967</b>	AN-GT-04-012-CR
		<b>129292</b>	TB-GTEZ-20M-PCR	<b>129988</b>	TB-GTEZ-04M-PCR	<b>129980</b>	AN-GT-04-20M-CR
205	1 25mm	<b>129293</b>	TB-GTEZ-100-PCR	<b>129538</b>	TB-GTEZ-05-PCR	<b>129968</b>	AN-GT-05-100-CR
		<b>129294</b>	TB-GTEZ-25M-PCR	<b>129989</b>	TB-GTEZ-05M-PCR	<b>129981</b>	AN-GT-05-25M-CR
206	1 -1/8 1 -3/16 1 -1/4 30mm	@	TB-GTEZ-102-PCR	<b>129539</b>	TB-GTEZ-06-PCR	<b>129969</b>	AN-GT-06-102-CR
		<b>129295</b>	TB-GTEZ-103-PCR			<b>129970</b>	AN-GT-06-103-CR
		<b>129296</b>	TB-GTEZ-104S-PCR			<b>129971</b>	AN-GT-06-104S-CR
		<b>129297</b>	TB-GTEZ-30M-PCR			<b>129990</b>	TB-GTEZ-06M-PCR
207	1 -1/4 1 -3/8 1 -7/16 35mm	<b>129298</b>	TB-GTEZ-104-PCR	<b>129540</b>	TB-GTEZ-07-PCR	<b>129972</b>	AN-GT-07-104-CR
		@	TB-GTEZ-106-PCR			<b>129973</b>	AN-GT-07-106-CR
		<b>129299</b>	TB-GTEZ-107-PCR			<b>129974</b>	AN-GT-07-107-CR
		<b>129300</b>	TB-GTEZ-35M-PCR			<b>129991</b>	TB-GTEZ-07M-PCR

@ Assembled to order

FEATURES/BENEFITS PAGE B1-2	SELECTION PAGE B1-5	INTERCHANGE PAGE B1-88	ACCESSORIES PAGE B1-90
--------------------------------	------------------------	---------------------------	---------------------------

# SELECTION/DIMENSIONS



## E-Z KLEEN Mounted Bearings GTEZ NORMAL DUTY POLYMER HOUSED TAPPED BASE PILLOW BLOCKS

Bearing Quick Reference

E-Z KLEEN

GRIP TIGHT Adapter Ball Bearing

Set Screw Ball Bearing

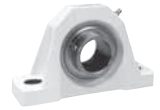
Eccentric Collar Ball Bearing

Series	Shaft Size	Weight Lbs kg	A	B	C	D	J	L	M	N Thread Depth	R Bolt Hole Threads	S#	Z
204	3/4	0.88	1-15/32	3-1/4	1-31/64	2	2-21/32	1-1/2	1-5/16	13/32	3/8-16	63/64	1-3/64
	20 mm	0.41	37.3	82.6	37.7	50.8	67.6	38.1	33.3	10.2	M10x1.5	25.0	26.7
205	1	1.01	1-29/64	3-1/4	1-1/2	2	2-57/64	1-51/64	1-7/16	13/32	3/8-16	61/64	1-1/64
	25 mm	0.47	36.9	82.6	37.7	50.8	73.3	45.6	36.5	10.2	M10x1.5	24.2	25.9
206	1-1/8	1.79	1-39/64	4-3/8	1-37/64	3	3-3/8	2-5/64	1-11/16	29/64	7/16-14	1-5/64	1-1/8
	1-3/16	1.69											
	1-1/4	1.59											
	30 mm	0.77	40.9	111.1	40.1	76.2	85.9	52.8	42.9	11.4	M10x1.5	27.4	28.7
207	1-1/4	2.62	1-5/8	4-5/8	1-57/64	3-1/4	3-13/16	2-3/8	1-7/8	35/64	1/2-13	1-1/16	1-9/64
	1-3/8	2.42											
	1-7/16	2.32											
	35 mm	1.11	41.3	117.5	48.0	82.6	97.2	60.3	47.6	14.0	M12x1.75	27.0	29.1

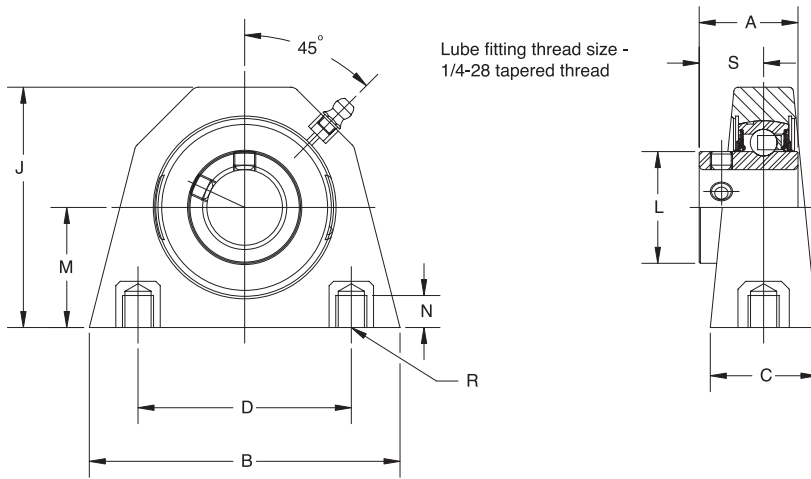
#S dimension will vary slightly depending on true shaft diameter

FEATURES/BENEFITS PAGE B1-2	SELECTION PAGE B1-5	INTERCHANGE PAGE B1-88	ACCESSORIES PAGE B1-90
--------------------------------	------------------------	---------------------------	---------------------------

# SELECTIONS/DIMENSIONS



## E-Z KLEEN Mounted Bearings SCEZ NORMAL DUTY POLYMER HOUSED TAPPED BASE PILLOW BLOCKS

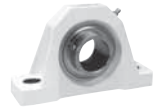


Series	Shaft Size	With Corrosion Resistant Insert		Standard Insert With Flingers	
		Part No.	Description	Part No.	Description
204	1/2	@	TB-SCEZ-008L-PCR*	@	TB-SCEZ-008L-P
	5/8	@	TB-SCEZ-010L-PCR*	@	TB-SCEZ-010L-P
	3/4	<b>127509</b>	TB-SCEZ-012-PCR	@	TB-SCEZ-012-P
	20 mm	<b>127552</b>	TB-SCEZ-20M-PCR	@	TB-SCEZ-20M-P
205	7/8	@	TB-SCEZ-014-PCR*	@	TB-SCEZ-014-P
	15/16	@	TB-SCEZ-015-PCR*	@	TB-SCEZ-015-P
	1	<b>127510</b>	TB-SCEZ-100-PCR	@	TB-SCEZ-100-P
	25 mm	<b>127553</b>	TB-SCEZ-25M-PCR	@	TB-SCEZ-25M-P
206	1-1/8	@	TB-SCEZ-102-PCR*	@	TB-SCEZ-102-P
	1-3/16	<b>127511</b>	TB-SCEZ-103-PCR	@	TB-SCEZ-103-P
	1-1/4	<b>127512</b>	TB-SCEZ-104S-PCR	<b>058632</b>	TB-SCEZ-104S-P
	30 mm	<b>127554</b>	TB-SCEZ-30M-PCR	@	TB-SCEZ-30M-P
207	1-1/4	<b>127513</b>	TB-SCEZ-104-PCR	@	TB-SCEZ-104-P
	1-5/16	@	TB-SCEZ-105-PCR*	@	TB-SCEZ-105-P
	1-3/8	<b>056577</b>	TB-SCEZ-106-PCR*	@	TB-SCEZ-106-P
	1-7/16	<b>127514</b>	TB-SCEZ-107-PCR	@	TB-SCEZ-107-P
	35 mm	<b>127555</b>	TB-SCEZ-35M-PCR	@	TB-SCEZ-35M-P

@ Assembled to order  
\*20 piece minimum

FEATURES/BENEFITS PAGE B1-2	SELECTION PAGE B1-5	INTERCHANGE PAGE B1-88	ACCESSORIES PAGE B1-90
--------------------------------	------------------------	---------------------------	---------------------------

# SELECTION/DIMENSIONS



## E-Z KLEEN Mounted Bearings SCEZ NORMAL DUTY POLYMER HOUSED TAPPED BASE PILLOW BLOCKS

Bearing Quick Reference

E-Z KLEEN

GRIP TIGHT Adapter Ball Bearing

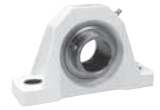
Set Screw Ball Bearing

Eccentric Collar Ball Bearing

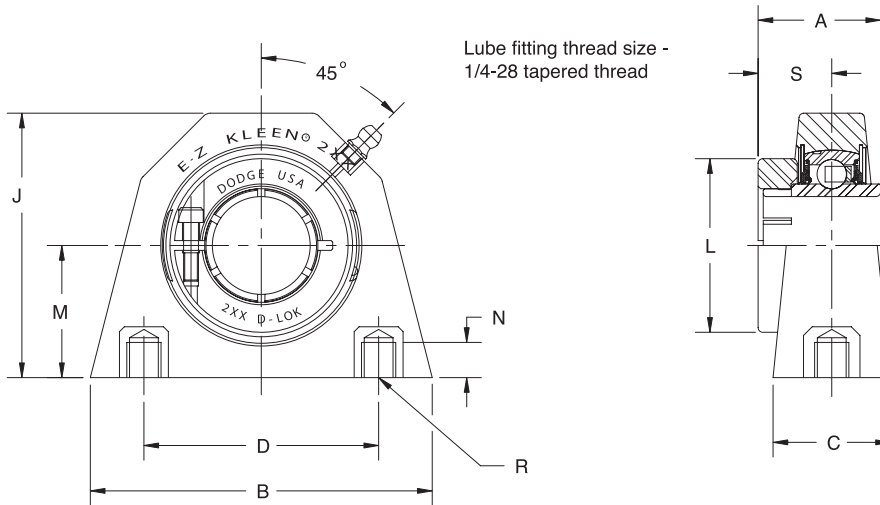
Series	Shaft Size	Weight lbs kg	A	B	C	D	J	L	M	N Thread Depth	R Bolt Hole Threads	S
204	1/2	0.74	1-5/32	3-1/4	1-31/64	2	2-21/32	1-1/8	1-5/16	13/32	3/8-16	47/64
	5/8	0.66										
	3/4	0.60										
	20 mm	0.29	29.4	82.6	37.7	50.8	67.6	28.6	33.3	10.2	M10x1.5	18.7
205	7/8	0.72	1-3/16	3-1/4	1-1/2	2	2-57/64	1-21/64	1-7/16	13/32	3/8-16	49/64
	15/16	0.64										
	1	0.58										
	25 mm	0.28	30.2	82.6	38.1	50.8	73.3	33.7	36.5	10.2	M10x1.5	19.4
206	1-1/8	1.16	1-25/64	4-3/8	1-37/64	3	3-3/8	1-37/64	1-11/16	29/64	7/16-14	29/32
	1-3/16	1.09										
	1-1/4	1.07										
	30 mm	0.49	35.3	111.1	40.1	76.2	85.9	40.1	42.9	11.4	M10x1.5	23.0
207	1-1/4	1.64	1-17/32	4-5/8	1-57/64	3-1/4	3-13/16	1-27/32	1-7/8	35/64	1/2-13	1-1/32
	1-5/16	1.58										
	1-3/8	1.53										
	35 mm	0.72	38.9	117.5	48.0	82.6	97.2	46.8	47.6	14.0	M12x1.75	26.2

FEATURES/BENEFITS PAGE B1-2	SELECTION PAGE B1-5	INTERCHANGE PAGE B1-88	ACCESSORIES PAGE B1-90
--------------------------------	------------------------	---------------------------	---------------------------

# SELECTIONS/DIMENSIONS



## E-Z KLEEN Mounted Bearings DLEZ NORMAL DUTY POLYMER HOUSED TAPPED BASE PILLOW BLOCKS

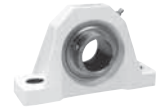


Series	Shaft Size	With Corrosion Resistant Insert		Standard Insert With Flingers	
		Part No.	Description	Part No.	Description
204	3/4	<b>127587</b>	TB-DLEZ-012-PCR	@	TB-DLEZ-012-P
	20 mm	<b>127630</b>	TB-DLEZ-20M-PCR	@	TB-DLEZ-20M-P
205	7/8	@	TB-DLEZ-014-PCR*	@	TB-DLEZ-014-P
	15/16	@	TB-DLEZ-015-PCR*	@	TB-DLEZ-015-P
	1	<b>127588</b>	TB-DLEZ-100-PCR	@	TB-DLEZ-100-P
	25 mm	<b>127631</b>	TB-DLEZ-25M-PCR	@	TB-DLEZ-25M-P
206	1-1/8	@	TB-DLEZ-102-PCR*	@	TB-DLEZ-102-P
	1-3/16	<b>127589</b>	TB-DLEZ-103-PCR	@	TB-DLEZ-103-P
	1-1/4	<b>127590</b>	TB-DLEZ-104S-PCR	@	TB-DLEZ-104S-P
	30 mm	<b>127632</b>	TB-DLEZ-30M-PCR	@	TB-DLEZ-30M-P
207	1-1/4	<b>127591</b>	TB-DLEZ-104-PCR	@	TB-DLEZ-104-P
	1-3/8	@	TB-DLEZ-106-PCR*	@	TB-DLEZ-106-P
	1-7/16	<b>127592</b>	TB-DLEZ-107-PCR	@	TB-DLEZ-107-P
	35 mm	<b>127633</b>	TB-DLEZ-35M-PCR	@	TB-DLEZ-35M-P

@ Assembled to order  
\*20 piece minimum

FEATURES/BENEFITS PAGE B1-2	SELECTION PAGE B1-5	INTERCHANGE PAGE B1-88	ACCESSORIES PAGE B1-90
--------------------------------	------------------------	---------------------------	---------------------------

# SELECTION/DIMENSIONS



## E-Z KLEEN Mounted Bearings DLEZ NORMAL DUTY POLYMER HOUSED TAPPED BASE PILLOW BLOCKS

Bearing Quick Reference

E-Z KLEEN

GRIP TIGHT Adapter Ball Bearing

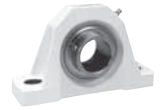
Set Screw Ball Bearing

Eccentric Collar Ball Bearing

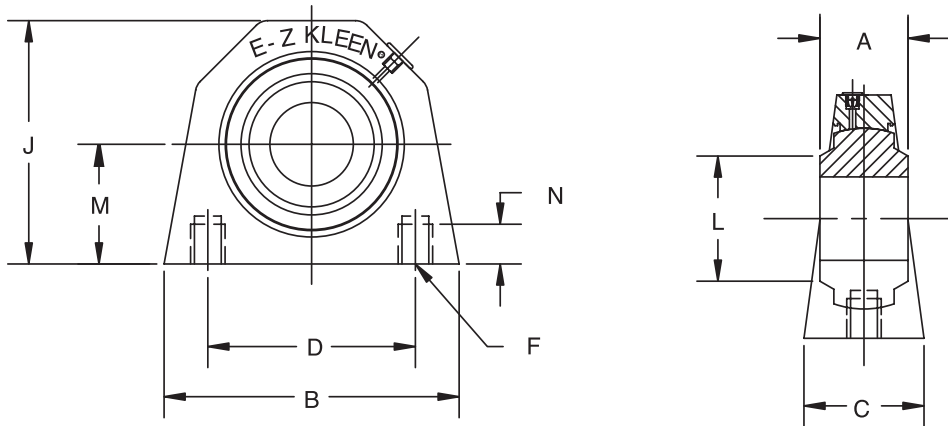
Series	Shaft Size	Weight lbs kg	A	B	C	D	J	L	M	N Thread Depth	R Bolt Hole Threads	S
204	3/4 20 mm	0.88 0.41	1-9/32 32.5	3-1/4 82.6	1-31/64 37.7	2 50.8	2-21/32 67.6	1-45/64 43.3	1-5/16 33.3	13/32 10.2	3/8-16 M10x1.5	25/32 19.8
	7/8 15/16 1 25 mm	1.12 1.11 1.01 0.47	1-7/16 36.5	3-1/4 82.6	1-1/2 38.1	2 50.8	2-57/64 73.3	2 50.8	1-7/16 36.5	13/32 10.2	3/8-16 M10x1.5	7/8 22.2
206	1-1/8 1-3/16	1.79 1.69	1-9/16	4-3/8	1-37/64	3	3-3/8	2-7/32	1-11/16	29/64	7/16-14	15/16
	1-1/4 30 mm	1.59 0.77	39.7	111.1	40.1	76.2	85.9	56.4	42.9	11.4	M10x1.5	23.8
	1-1/4 1-3/8 1-7/16 35 mm	2.62 2.42 2.32 1.11	1-3/4 44.5	4-5/8 117.5	1-57/64 48.0	3-1/4 82.6	3-13/16 97.2	2-11/16 68.3	1-7/8 47.6	35/64 14.0	1/2-13 M12x1.75	1-1/16 27.0

FEATURES/BENEFITS PAGE B1-2	SELECTION PAGE B1-5	INTERCHANGE PAGE B1-88	ACCESSORIES PAGE B1-90
--------------------------------	------------------------	---------------------------	---------------------------

# SELECTIONS/DIMENSIONS



## E-Z KLEEN Mounted Bearings PSEZ POLYMER SLEEVE POLYMER HOUSED TAPPED BASE PILLOW BLOCKS



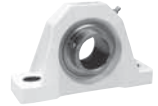
Series	Shaft Size	Part No.	Description
204	3/4	<b>034710</b>	TB-PSEZ-012-P
	20mm	<b>034755</b>	TB-PSEZ-20M-P*
205	1	<b>034711</b>	TB-PSEZ-100-P
	25mm	<b>034756</b>	TB-PSEZ-25M-P*
206	1-3/16	<b>034712</b>	TB-PSEZ-103-P
	1-1/4	<b>034713</b>	TB-PSEZ-104S-P
	30mm	<b>034757</b>	TB-PSEZ-30M-P*
207	1-1/4	<b>034714</b>	TB-PSEZ-104-P
	1-7/16	<b>034715</b>	TB-PSEZ-107-P
	35mm	<b>034758</b>	TB-PSEZ-35M-P*

\* Made to Order

FEATURES/BENEFITS PAGE B1-2	SELECTION PAGE B1-5	INTERCHANGE PAGE B1-88	ACCESSORIES PAGE B1-90
--------------------------------	------------------------	---------------------------	---------------------------



# SELECTION/DIMENSIONS



## E-Z KLEEN Mounted Bearings

### PSEZ POLYMER SLEEVE POLYMER HOUSED TAPPED BASE PILLOW BLOCKS

Bearing Quick Reference

E-Z KLEEN

GRIP TIGHT Adapter Ball Bearing

Set Screw Ball Bearing

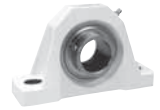
Eccentric Collar Ball Bearing

Series	Shaft Size	Weight lbs kg	A	B	C	D	J	L	M	N Thread Depth	R Bolt Hole Threads
204	3/4 20mm	0.53 0.24	1 25.4	3-1/4 82.6	1-31/64 37.7	2 50.8	2-21/32 67.6	1-5/16 33.3	1-5/16 33.3	13/32 10.2	3/8-16 M10x1.5
205	1 25mm	0.46 0.21	1-1/16 27.0	3-1/4 82.6	1-1/2 38.1	2 50.8	2-57/64 73.3	1-7/16 36.5	1-7/16 36.5	13/32 10.2	3/8-16 M10x1.5
206	1-3/16 1-1/4 30mm	0.85 0.84 0.39	1-3/16 30.2	4-3/8 111.1	1-37/64 40.1	3 76.2	3-3/8 85.9	1-11/16 42.9	1-11/16 42.9	29/64 11.4	7/16-14 M10x1.5
207	1-1/4 1-7/16 35mm	1.02 0.97 0.46	1-5/16 33.3	4-5/8 117.5	1-57/64 48	3-1/4 82.6	3-13/16 96.8	2 50.8	1-7/8 47.6	35/64 14.0	1/2-13 M12x1.75

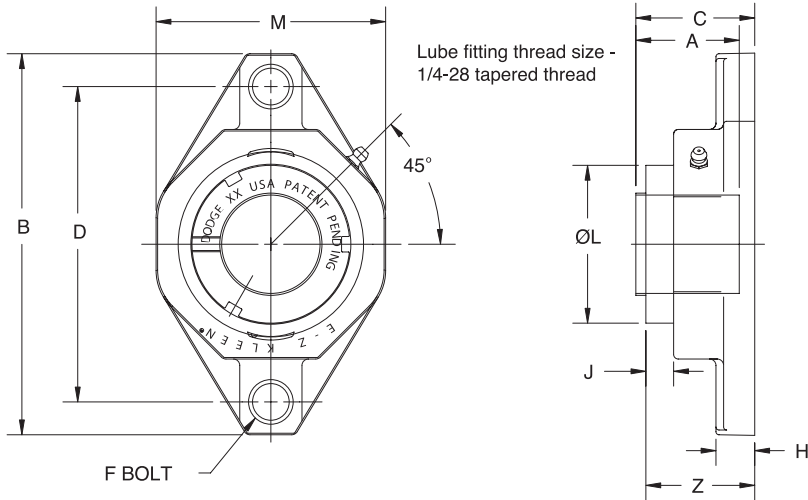
\* Made to order

FEATURES/BENEFITS PAGE B1-2	SELECTION PAGE B1-5	INTERCHANGE PAGE B1-88	ACCESSORIES PAGE B1-90
--------------------------------	------------------------	---------------------------	---------------------------

# SELECTIONS/DIMENSIONS



## E-Z KLEEN Mounted Bearings GTEZ NORMAL DUTY POLYMER HOUSED 2 BOLT FLANGE BEARINGS

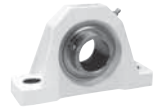


Series	Shaft Size	Complete Unit		Unit Without Adapter		Adapter & Nut Assembly	
		Part No.	Description	Part No.	Description	Part No.	Description
204	3/4 20mm	<b>129339</b>	F2B-GTEZ-012-PCR	<b>129548</b>	F2B-GTEZ-04-PCR	<b>129967</b>	AN-GT-04-012-CR
		<b>129340</b>	F2B-GTEZ-20M-PCR			<b>129980</b>	AN-GT-04-20M-CR
205	1 25mm	<b>129341</b>	F2B-GTEZ-100-PCR	<b>129549</b>	F2B-GTEZ-05-PCR	<b>129968</b>	AN-GT-05-100-CR
		<b>129342</b>	F2B-GTEZ-25M-PCR			<b>129981</b>	AN-GT-05-25M-CR
206	1 -1/8 1 -3/16 1 -1/4 30mm	@	F2B-GTEZ-102-PCR	<b>129550</b>	F2B-GTEZ-06-PCR	<b>129969</b>	AN-GT-06-102-CR
		<b>129343</b>	F2B-GTEZ-103-PCR			<b>129970</b>	AN-GT-06-103-CR
		<b>129344</b>	F2B-GTEZ-104S-PCR			<b>129971</b>	AN-GT-06-104S-CR
		<b>129345</b>	F2B-GTEZ-30M-PCR			<b>129982</b>	AN-GT-06-30M-CR
207	1 -1/4 1 -3/8 1 -7/16 35mm	@	F2B-GTEZ-104-PCR	<b>129551</b>	F2B-GTEZ-07-PCR	<b>129972</b>	AN-GT-07-104-CR
		<b>129346</b>	F2B-GTEZ-106-PCR			<b>129973</b>	AN-GT-07-106-CR
		<b>129347</b>	F2B-GTEZ-107-PCR			<b>129974</b>	AN-GT-07-107-CR
		<b>129348</b>	F2B-GTEZ-35M-PCR			<b>129983</b>	AN-GT-07-35M-CR
208	1 -1/2 40mm	<b>129349</b>	F2B-GTEZ-108-PCR	<b>129552</b>	F2B-GTEZ-08-PCR	<b>129975</b>	AN-GT-08-108-CR
		<b>129350</b>	F2B-GTEZ-40M-PCR			<b>129984</b>	AN-GT-08-40M-CR
209	1-11/16 1 -3/4 45mm	<b>129351</b>	F2B-GTEZ-111-PCR	<b>129553</b>	F2B-GTEZ-09-PCR	<b>129976</b>	AN-GT-09-111-CR
		<b>064147</b>	F2B-GTEZ-112-PCR			<b>129977</b>	AN-GT-09-112-CR
		<b>129352</b>	F2B-GTEZ-45M-PCR			<b>129985</b>	AN-GT-09-45M-CR
210	1-15/16 2 50mm	<b>129353</b>	F2B-GTEZ-115-PCR	<b>129554</b>	F2B-GTEZ-10-PCR	<b>129978</b>	AN-GT-10-115-CR
		<b>064503</b>	F2B-GTEZ-200-PCR			<b>129979</b>	AN-GT-10-200-CR
		<b>129354</b>	F2B-GTEZ-50M-PCR			<b>129986</b>	AN-GT-10-50M-CR

@ Assembled to order

FEATURES/BENEFITS PAGE B1-2	SELECTION PAGE B1-5	INTERCHANGE PAGE B1-88	ACCESSORIES PAGE B1-90
--------------------------------	------------------------	---------------------------	---------------------------

# SELECTION/DIMENSIONS



## E-Z KLEEN Mounted Bearings GTEZ NORMAL DUTY POLYMER HOUSED 2 BOLT FLANGE BEARINGS

Bearing Quick Reference

E-Z KLEEN

GRIP TIGHT Adapter Ball Bearing

Set Screw Ball Bearing

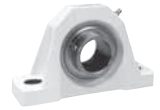
Eccentric Collar Ball Bearing

Size	Shaft Series	Weight lbs kg	A	B	C#	D	F Bolt Dia.	H	J	L	M	Z
204	3/4	0.77	1-15/32	4-29/64	1-45/64	3-17/32	3/8	17/32	37/64	1-1/2	2-23/64	1-3/4
	20 mm	0.36	37.3	113.1	43.3	89.7	M10	13.5	14.7	38.1	59.9	44.5
205	1	1.01	1-29/64	4-59/64	1-11/16	3-57/64	3/8	35/64	17/32	1-51/64	2-23/32	1-3/4
	25 mm	0.47	36.9	125.0	42.9	98.8	M10	13.9	13.5	45.6	69.1	44.5
206	1-1/8	1.56	1-39/64	5-19/32	1-53/64	4-19/32	3/8	39/64	35/64	2-5/64	3-13/64	1-7/8
	1-3/16	1.46										
	1-1/4	1.36										
	30 mm	0.57	40.9	142.1	46.4	116.7	M10	15.5	13.9	52.8	81.4	47.6
207	1-1/4	2.18	1-5/8	6-5/16	1-27/32	5-1/8	1/2	5/8	35/64	2-3/8	3-45/64	1-59/64
	1-5/16	2.11										
	1-7/16	2.08										
	35 mm	1.00	41.3	160.3	46.8	130.2	M12	15.9	13.9	60.3	94.1	48.8
208	1-1/2	2.75	1-27/32	6-25/32	2-5/64	5-21/32	1/2	43/64	37/64	2-5/8	4-1/16	2-1/8
	40 mm	1.26	46.8	172.2	52.8	143.7	M12	17.1	14.7	66.7	103.2	54.0
209	1-5/8	3.11	1-55/64	7-5/64	2-5/64	5-27/32	9/16	23/32	19/32	2-55/64	4-5/16	2-11/64
	1-11/16	3.07										
	1-3/4	3.04										
	45 mm	1.41	47.2	179.8	52.8	148.4	M14	18.3	15.1	72.6	109.5	55.2
210	1-15/16	3.64	1-55/64	7-31/64	2-15/64	6-3/16	5/8	49/64	39/64	3-1/8	4-1/2	2-5/16
	2	3.60										
	50 mm	1.67	47.2	190.1	56.8	157.2	M16	19.4	15.5	79.4	114.3	58.8

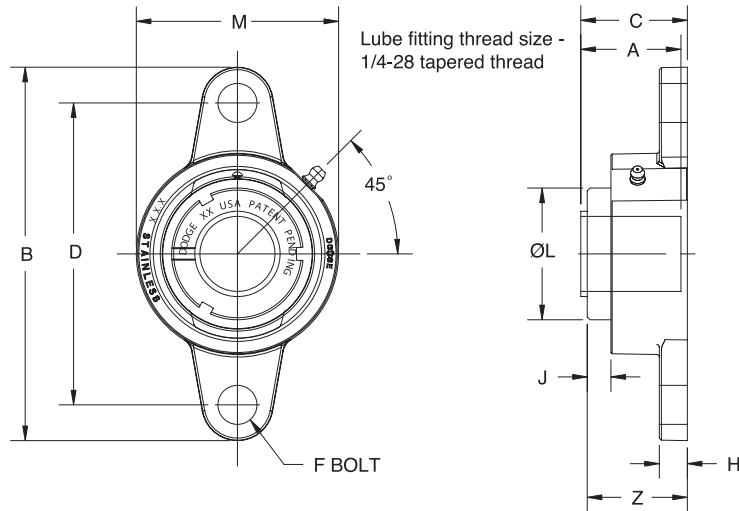
#C dimension will vary slightly depending on true shaft diameter.

FEATURES/BENEFITS PAGE B1-2	SELECTION PAGE B1-5	INTERCHANGE PAGE B1-88	ACCESSORIES PAGE B1-90
--------------------------------	------------------------	---------------------------	---------------------------

# SELECTIONS/DIMENSIONS



## E-Z KLEEN Mounted Bearings GTEZ NORMAL DUTY STAINLESS STEEL 2 BOLT FLANGE BEARINGS



Series	Shaft Size	Complete Unit		Unit Without Adapter		Adapter & Nut Assembly	
		Part No.	Description	Part No.	Description	Part No.	Description
204	3/4	<b>129355</b>	F2B-GTEZ-012-SHCR	<b>129573</b>	F2B-GTEZ-04-SHCR	<b>129967</b>	AN-GT-04-012-CR
	20mm	<b>129356</b>	F2B-GTEZ-20M-SHCR			<b>129980</b>	AN-GT-04-20M-CR
205	1	<b>129357</b>	F2B-GTEZ-100-SHCR	<b>129574</b>	F2B-GTEZ-05-SHCR	<b>129968</b>	AN-GT-05-100-CR
	25mm	<b>129358</b>	F2B-GTEZ-25M-SHCR			<b>129981</b>	AN-GT-05-25M-CR
206	1-1/8	@	F2B-GTEZ-102-SHCR	<b>129575</b>	F2B-GTEZ-06-SHCR	<b>129969</b>	AN-GT-06-102-CR
	1-3/16	<b>129359</b>	F2B-GTEZ-103-SHCR			<b>129970</b>	AN-GT-06-103-CR
	1-1/4	<b>129360</b>	F2B-GTEZ-104S-SHCR			<b>129971</b>	AN-GT-06-104S-CR
	30mm	<b>129361</b>	F2B-GTEZ-30M-SHCR			<b>129982</b>	AN-GT-06-30M-CR
207	1-1/4	<b>129362</b>	F2B-GTEZ-104-SHCR	<b>129576</b>	F2B-GTEZ-07-SHCR	<b>129972</b>	AN-GT-07-104-CR
	1-3/8	<b>065694</b>	F2B-GTEZ-106-SHCR			<b>129973</b>	AN-GT-07-106-CR
	1-7/16	<b>129363</b>	F2B-GTEZ-107-SHCR			<b>129974</b>	AN-GT-07-107-CR
	35mm	<b>129364</b>	F2B-GTEZ-35M-SHCR			<b>129983</b>	AN-GT-07-35M-CR
208	1-1/2	<b>129365</b>	F2B-GTEZ-108-SHCR	<b>129577</b>	F2B-GTEZ-08-SHCR	<b>129975</b>	AN-GT-08-108-CR
	40mm	<b>129366</b>	F2B-GTEZ-40M-SHCR			<b>129984</b>	AN-GT-08-40M-CR
210	1-15/16	<b>129367</b>	F2B-GTEZ-115-SHCR	<b>129578</b>	F2B-GTEZ-10-SHCR	<b>129978</b>	AN-GT-10-115-CR
	2	@	F2B-GTEZ-200-SHCR			<b>129979</b>	AN-GT-10-200-CR
	50mm	<b>129368</b>	F2B-GTEZ-50M-SHCR			<b>129986</b>	AN-GT-10-50M-CR

@ Assembled to order

FEATURES/BENEFITS PAGE B1-2	SELECTION PAGE B1-5	INTERCHANGE PAGE B1-88	ACCESSORIES PAGE B1-90
--------------------------------	------------------------	---------------------------	---------------------------

# SELECTION/DIMENSIONS



## E-Z KLEEN Mounted Bearings GTEZ NORMAL DUTY STAINLESS STEEL 2 BOLT FLANGE BEARINGS

Bearing Quick Reference

E-Z KLEEN

GRIP TIGHT Adapter Ball Bearing

Set Screw Ball Bearing

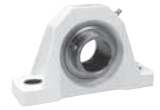
Eccentric Collar Ball Bearing

Series	Shaft Size	Weight lbs kg	A	B	C#	D	F Bolt Dia.	H	J	L	M	Z
204	3/4	1.10	1-15/32	4-3/8	1-1/2	3-17/32	3/8	21/64	39/64	1-1/2	2-3/8	1-9/16
	20mm	0.49	37.3	111.1	38.1	89.7	M10	8.3	15.5	38.1	60.3	39.7
205	1	1.43	1-29/64	4-57/64	1-35/64	3-57/64	3/8	23/64	9/16	1-51/64	2-5/8	1-19/32
	25mm	0.65	36.9	124.2	39.3	98.8	M10	9.1	14.3	45.6	66.7	40.5
206	1-1/8	2.21	1-39/64	5-33/64	1-47/64	4-19/32	3/8	23/64	35/64	2-5/64	3-1/8	1-25/32
	1-3/16	2.17										
	1-1/4	2.13										
	30mm	0.98										
207	1-1/4	3.12	1-5/8	6-3/16	1-25/32	5-1/8	1/2	27/64	35/64	2-3/8	3-1/2	1-55/64
	1-3/8	2.99										
	1-7/16	2.95										
	35mm	1.42										
208	1-1/2	3.91	1-27/32	6-23/32	1-63/64	5-21/32	1/2	27/64	37/64	2-5/8	3-27/32	2-1/32
	40mm	1.77	46.8	170.7	50.4	143.7	M12	10.7	14.7	66.7	97.6	51.6
210	1-15/16	4.89	1-55/64	7-31/64	2	6-3/16	5/8	31/64	19/32	3-1/8	4-5/16	2-5/64
	2	4.85										
	50mm	2.20										

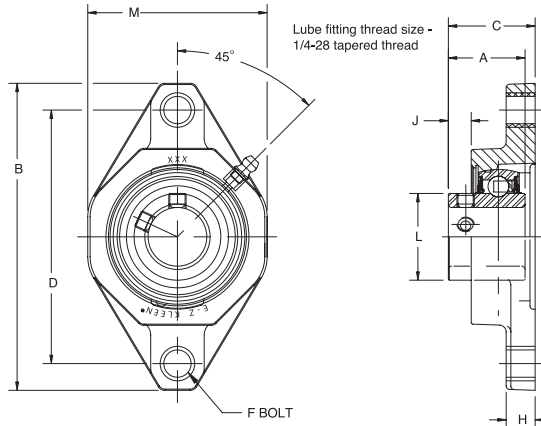
#C dimension will vary slightly depending on true shaft diameter.

FEATURES/BENEFITS PAGE B1-2	SELECTION PAGE B1-5	INTERCHANGE PAGE B1-88	ACCESSORIES PAGE B1-90
--------------------------------	------------------------	---------------------------	---------------------------

# SELECTIONS/DIMENSIONS



## E-Z KLEEN Mounted Bearings SCEZ NORMAL DUTY POLYMER HOUSED 2 BOLT FLANGE BEARINGS



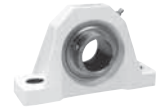
Series	Shaft Size	With Corrosion Resistant Insert		Standard Insert With Flingers	
		Part No.	Description	Part No.	Description
204	1/2	<b>059823</b>	F2B-SCEZ-008L-PCR*	@	F2B-SCEZ-008L-P
	5/8	<b>058792</b>	F2B-SCEZ-010L-PCR*	@	F2B-SCEZ-010L-P
	3/4	<b>127524</b>	F2B-SCEZ-012-PCR	<b>058404</b>	F2B-SCEZ-012-P
	20 mm	<b>127563</b>	F2B-SCEZ-20M-PCR	@	F2B-SCEZ-20M-P
205	7/8	@	F2B-SCEZ-014-PCR*	@	F2B-SCEZ-014-P
	15/16	@	F2B-SCEZ-015-PCR*	@	F2B-SCEZ-015-P
	1	<b>127525</b>	F2B-SCEZ-100-PCR	<b>057524</b>	F2B-SCEZ-100-P
	25 mm	<b>127564</b>	F2B-SCEZ-25M-PCR	@	F2B-SCEZ-25M-P
206	1-1/8	<b>058470</b>	F2B-SCEZ-102-PCR*	@	F2B-SCEZ-102-P
	1-3/16	<b>127526</b>	F2B-SCEZ-103-PCR	@	F2B-SCEZ-103-P
	1-1/4	<b>127527</b>	F2B-SCEZ-104S-PCR	<b>057594</b>	F2B-SCEZ-104S-P
	30 mm	<b>127565</b>	F2B-SCEZ-30M-PCR	@	F2B-SCEZ-30M-P
207	1-1/4	<b>127528</b>	F2B-SCEZ-104-PCR	<b>057687</b>	F2B-SCEZ-104-P
	1-5/16	<b>049380</b>	F2B-SCEZ-105-PCR*	@	F2B-SCEZ-105-P
	1-3/8	<b>056893</b>	F2B-SCEZ-106-PCR*	<b>056526</b>	F2B-SCEZ-106-P
	1-7/16	<b>127529</b>	F2B-SCEZ-107-PCR	<b>058941</b>	F2B-SCEZ-107-P
35 mm	<b>127566</b>	F2B-SCEZ-35M-PCR	@	F2B-SCEZ-35M-P	
208	1-1/2	<b>127530</b>	F2B-SCEZ-108-PCR	<b>056580</b>	F2B-SCEZ-108-P
	1-5/8	@	F2B-SCEZ-110-PCR*	@	F2B-SCEZ-110-P
	40 mm	<b>127567</b>	F2B-SCEZ-40M-PCR	@	F2B-SCEZ-40M-P
209	1-5/8	@	F2B-SCEZ-110L-PCR*	@	F2B-SCEZ-110L-P
	1-11/16	<b>127531</b>	F2B-SCEZ-111-PCR	@	F2B-SCEZ-111-P
	1-3/4	@	F2B-SCEZ-112-PCR	<b>065786</b>	F2B-SCEZ-112-P
	45 mm	<b>127568</b>	F2B-SCEZ-45M-PCR	@	F2B-SCEZ-45M-P
210	1-15/16	<b>127532</b>	F2B-SCEZ-115-PCR	<b>058593</b>	F2B-SCEZ-115-P
	2	<b>049835</b>	F2B-SCEZ-200-PCR	@	F2B-SCEZ-200-P
	50 mm	<b>127569</b>	F2B-SCEZ-50M-PCR	@	F2B-SCEZ-50M-P

@ Assembled to order

\* 20 piece minimum

FEATURES/BENEFITS PAGE B1-2	SELECTION PAGE B1-5	INTERCHANGE PAGE B1-88	ACCESSORIES PAGE B1-90
--------------------------------	------------------------	---------------------------	---------------------------

# SELECTION/DIMENSIONS



## E-Z KLEEN Mounted Bearings SCEZ NORMAL DUTY POLYMER HOUSED 2 BOLT FLANGE BEARINGS

Bearing Quick Reference

E-Z KLEEN

GRIP TIGHT Adapter Ball Bearing

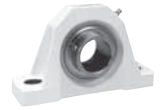
Set Screw Ball Bearing

Eccentric Collar Ball Bearing

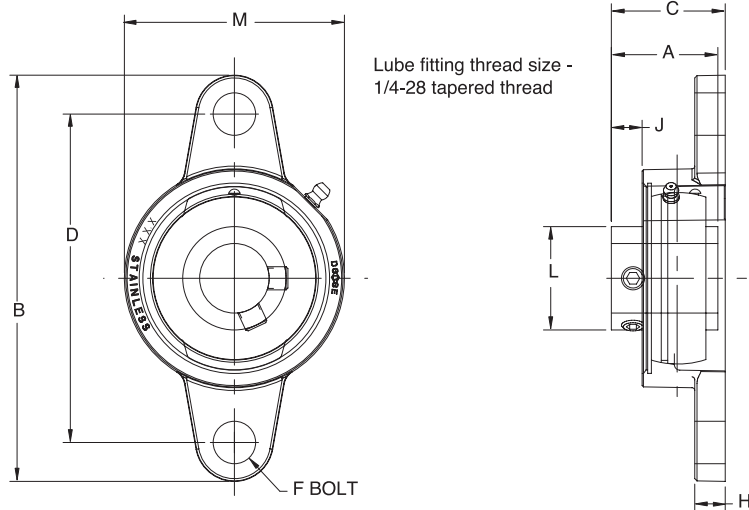
Series	Shaft Size	Weight lbs kg	A	B	C	D	F Bolt Dia.	H	J	L	M
204	1/2	0.48	1-5/32	4-29/64	1-27/64	3-17/32	3/8	17/32	19/64	1-1/8	2-23/64
	5/8	0.44									
	3/4	0.40									
	20 mm	0.24	29.4	113.0	36.1	90.0	M10	13.5	7.6	28.6	59.9
205	7/8	0.64	1-3/16	4-59/64	1-15/32	3-57/64	3/8	35/64	21/64	1-21/64	2-23/32
	15/16	0.60									
	1	0.56									
	25 mm	0.28	30.2	125.0	37.3	99.0	M10	13.9	8.4	33.7	69.1
206	1-1/8	0.88	1-25/64	5-19/32	1-21/32	4-19/32	3/8	39/64	27/64	1-37/64	3-13/64
	1-3/16	0.86									
	1-1/4	0.84									
	30 mm	0.39	35.3	142.1	42.1	116.5	M10	13.9	10.6	40.1	81.4
207	1-1/4	1.36	1-17/32	6-5/16	1-51/64	5-1/8	1/2	5/8	33/64	1-27/32	3-45/64
	1-5/16	1.32									
	1-3/8	1.28									
	35 mm	0.61	38.9	160.3	45.6	130.0	M12	15.9	13.2	46.8	94.1
208	1-1/2	1.82	1-11/16	6-25/32	1-31/32	5-21/32	1/2	43/64	33/64	2-3/64	4-1/16
	1-5/8	1.78									
	40 mm	0.76	42.9	172.2	50.0	143.5	M12	17.1	13.2	52.0	103.1
	209	1-5/8	2.04	1-23/32	7-5/64	2-1/64	5-27/32	9/16	23/32	9/16	2-7/32
1-11/16		2.00									
1-3/4		1.96									
45 mm		0.88	43.7	179.8	51.2	148.5	M14	18.2	14.1	56.4	109.5
210	1-15/16	2.12	1-3/4	7-31/64	2-11/64	6-3/16	5/8	49/64	19/32	2-7/16	4-1/2
	2	2.08									
	50 mm	0.96	44.5	190.1	55.2	157.0	M16	19.4	14.9	61.9	114.3

FEATURES/BENEFITS PAGE B1-2	SELECTION PAGE B1-5	INTERCHANGE PAGE B1-88	ACCESSORIES PAGE B1-90
--------------------------------	------------------------	---------------------------	---------------------------

# SELECTIONS/DIMENSIONS



## E-Z KLEEN Mounted Bearings SCEZ NORMAL DUTY STAINLESS STEEL 2 BOLT FLANGE BEARINGS



Series	Shaft Size	With Corrosion Resistant Insert		Standard Insert with Flingers	
		Part No.	Description	Part No.	Description
204	1/2	@	F2B-SCEZ-008L-SHCR*	@	F2B-SCEZ-008L-SH
	5/8	<b>062994</b>	F2B-SCEZ-010L-SHCR*	@	F2B-SCEZ-010L-SH
	3/4	<b>127681</b>	F2B-SCEZ-012-SHCR	<b>056801</b>	F2B-SCEZ-012-SH
	20mm	<b>127703</b>	F2B-SCEZ-20M-SHCR	@	F2B-SCEZ-20M-SH
205	7/8	@	F2B-SCEZ-014-SHCR*	@	F2B-SCEZ-014-SH
	15/16	@	F2B-SCEZ-015-SHCR*	<b>049686</b>	F2B-SCEZ-015-SH
	1	<b>127682</b>	F2B-SCEZ-100-SHCR	<b>056611</b>	F2B-SCEZ-100-SH
	25mm	<b>127704</b>	F2B-SCEZ-25M-SHCR	@	F2B-SCEZ-25M-SH
206	1-1/8	@	F2B-SCEZ-102-SHCR	@	F2B-SCEZ-102-SH
	1-3/16	<b>127683</b>	F2B-SCEZ-103-SHCR	<b>056971</b>	F2B-SCEZ-103-SH
	1-1/4	<b>127684</b>	F2B-SCEZ-104S-SHCR	<b>056612</b>	F2B-SCEZ-104S-SH
	30mm	<b>127705</b>	F2B-SCEZ-30M-SHCR	@	F2B-SCEZ-30M-SH
207	1-1/4	<b>127685</b>	F2B-SCEZ-104-SHCR	<b>056802</b>	F2B-SCEZ-104-SH
	1-3/8	<b>056734</b>	F2B-SCEZ-106-SHCR*	@	F2B-SCEZ-106-SH
	1-7/16	<b>127686</b>	F2B-SCEZ-107-SHCR	<b>056803</b>	F2B-SCEZ-107-SH
	35mm	<b>127706</b>	F2B-SCEZ-35M-SHCR	@	F2B-SCEZ-35M-SH
208	1-1/2	<b>127687</b>	F2B-SCEZ-108-SHCR	<b>056804</b>	F2B-SCEZ-108-SH
	1-5/8	<b>068283</b>	F2B-SCEZ-110-SHCR	----	-----
	40mm	<b>127707</b>	F2B-SCEZ-40M-SHCR	@	F2B-SCEZ-40M-SH
	210	1-11/16	@	F2B-SCMEZ-111-SHCR*	<b>056552</b>
1-15/16		<b>127688</b>	F2B-SCEZ-115-SHCR	<b>056805</b>	F2B-SCEZ-115-SH
2		<b>062913</b>	F2B-SCEZ-200-SHCR	<b>056964</b>	F2B-SCEZ-200-SH
50mm		<b>127708</b>	F2B-SCEZ-50M-SHCR	@	F2B-SCEZ-50M-SH

@ Assembled to order

\*20 piece minimum

FEATURES/BENEFITS PAGE B1-2	SELECTION PAGE B1-5	INTERCHANGE PAGE B1-88	ACCESSORIES PAGE B1-90
--------------------------------	------------------------	---------------------------	---------------------------



# SELECTION/DIMENSIONS



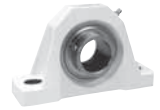
## E-Z KLEEN Mounted Bearings

### SCEZ NORMAL DUTY STAINLESS STEEL 2 BOLT FLANGE BEARINGS

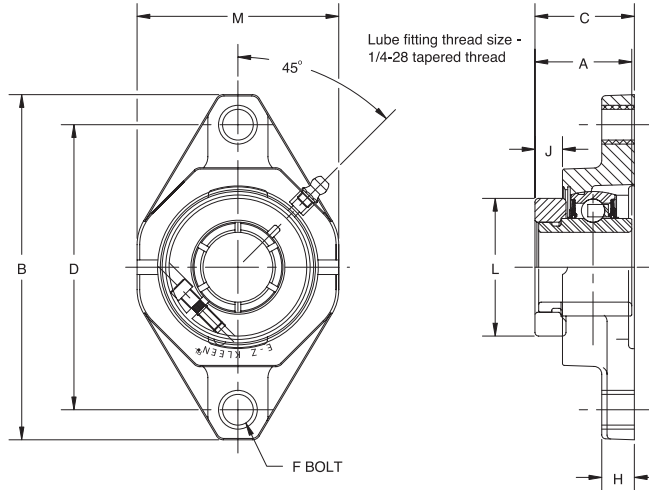
Series	Shaft Size	Weight lbs kg	A	B	C	D	F Bolt Dia.	H	J	L	M
204	1/2	1.04	1-5/32	4-3/8	1-1/4	3-17/32	3/8	21/64	11/32	1-1/8	2-3/8
	5/8	0.99									
	3/4	0.95									
	20mm	0.42	29.4	111.1	31.8	89.7	M10	8.3	8.7	28.6	60.3
205	7/8	1.25	1-3/16	4-57/64	1-11/32	3-57/64	3/8	23/64	3/8	1-21/64	2-5/8
	15/16	1.23									
	1	1.21									
	25mm	0.55	30.2	124.2	34.1	98.8	M10	9.1	9.5	33.7	66.7
206	1-1/8	1.95	1-25/64	5-33/64	1-9/16	4-19/32	3/8	23/64	27/64	1-37/64	3-1/8
	1-3/16	1.91									
	1-1/4	1.87									
	30mm	0.87	35.3	140.1	39.7	116.7	M10	9.1	10.7	40.1	79.4
207	1-1/4	2.64	1-17/32	6-3/16	1-3/4	5-1/8	1/2	27/64	17/32	1-27/32	3-1/2
	1-3/8	2.53									
	1-7/16	2.47									
	35mm	1.15	38.9	157.2	44.5	130.2	M12	10.7	13.5	46.8	88.9
208	1-1/2	3.40	1-11/16	6-23/32	1-7/8	5-21/32	1/2	27/64	17/32	2-3/64	3-27/32
	1-5/8	3.10									
	40mm	1.50	42.9	170.7	47.6	143.7	M12	10.7	13.5	52.0	97.6
210	1-11/16	4.21	1-3/4	7-31/64	1-61/64	6-3/16	5/8	31/64	19/32	2-7/16	4-5/16
	1-15/16	4.17									
	2	4.13									
	50mm	1.87	44.5	190.1	49.6	157.2	M16	12.3	15.1	61.9	109.5

FEATURES/BENEFITS PAGE B1-2	SELECTION PAGE B1-5	INTERCHANGE PAGE B1-88	ACCESSORIES PAGE B1-90
--------------------------------	------------------------	---------------------------	---------------------------

# SELECTIONS/DIMENSIONS



## E-Z KLEEN Mounted Bearings DLEZ NORMAL DUTY POLYMER HOUSED 2 BOLT FLANGE BEARINGS



Series	Shaft Size	With Corrosion Resistant Insert		Standard Insert With Flingers	
		Part No.	Description	Part No.	Description
204	3/4	<b>127602</b>	F2B-DLEZ-012-PCR	@	F2B-DLEZ-012-P
	20 mm	<b>127641</b>	F2B-DLEZ-20M-PCR	@	F2B-DLEZ-20M-P
205	7/8	@	F2B-DLEZ-014-PCR*	@	F2B-DLEZ-014-P
	15/16	@	F2B-DLEZ-015-PCR*	@	F2B-DLEZ-015-P
	1	<b>127603</b>	F2B-DLEZ-100-PCR	@	F2B-DLEZ-100-P
	25 mm	<b>127642</b>	F2B-DLEZ-25M-PCR	@	F2B-DLEZ-25M-P
206	1-1/8	@	F2B-DLEZ-102-PCR*	@	F2B-DLEZ-102-P
	1-3/16	<b>127604</b>	F2B-DLEZ-103-PCR	@	F2B-DLEZ-103-P
	1-1/4	<b>127605</b>	F2B-DLEZ-104S-PCR	@	F2B-DLEZ-104S-P
	30 mm	<b>127643</b>	F2B-DLEZ-30M-PCR	@	F2B-DLEZ-30M-P
207	1-1/4	<b>127606</b>	F2B-DLEZ-104-PCR	@	F2B-DLEZ-104-P
	1-3/8	@	F2B-DLEZ-106-PCR*	@	F2B-DLEZ-106-P
	1-7/16	<b>127607</b>	F2B-DLEZ-107-PCR	@	F2B-DLEZ-107-P
	35 mm	<b>127644</b>	F2B-DLEZ-35M-PCR	@	F2B-DLEZ-35M-P
208	1-1/2	<b>127608</b>	F2B-DLEZ-108-PCR	@	F2B-DLEZ-108-P
	40 mm	<b>127645</b>	F2B-DLEZ-40M-PCR	@	F2B-DLEZ-40M-P
209	1-5/8	@	F2B-DLEZ-110L-PCR*	@	F2B-DLEZ-110L-P
	1-11/16	<b>127609</b>	F2B-DLEZ-111-PCR	@	F2B-DLEZ-111-P
	1-3/4	@	F2B-DLEZ-112-PCR*	@	F2B-DLEZ-112-P
	45 mm	<b>127646</b>	F2B-DLEZ-45M-PCR	@	F2B-DLEZ-45M-P
210	1-15/16	<b>127610</b>	F2B-DLEZ-115-PCR	@	F2B-DLEZ-115-P
	2	<b>058515</b>	F2B-DLEZ-200-PCR	@	F2B-DLEZ-200-P
	50 mm	<b>127647</b>	F2B-DLEZ-50M-PCR	@	F2B-DLEZ-50M-P

@ Assembled to order

\*20 piece minimum

FEATURES/BENEFITS PAGE B1-2	SELECTION PAGE B1-5	INTERCHANGE PAGE B1-88	ACCESSORIES PAGE B1-90
--------------------------------	------------------------	---------------------------	---------------------------

# SELECTION/DIMENSIONS



## E-Z KLEEN Mounted Bearings

### DLEZ NORMAL DUTY POLYMER HOUSED 2 BOLT FLANGE BEARINGS

Bearing Quick Reference

E-Z KLEEN

GRIP TIGHT Adapter Ball Bearing

Set Screw Ball Bearing

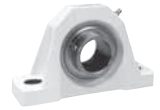
Eccentric Collar Ball Bearing

Series	Shaft Size	Weight lbs kg	A	B	C	D	F Bolt Dia.	H	J	L	M
204	3/4	0.77	1-9/32	4-29/64	1-15/32	3-17/32	3/8	17/32	23/64	1-45/64	2-23/64
	20 mm	0.36	32.5	113.0	37.3	90.0	M10	13.5	9.1	43.3	59.9
205	7/8	1.09	1-7/16	4-59/64	1-37/64	3-57/64	3/8	35/64	7/16	2	2-23/32
	15/16	1.05									
	1	1.01									
	25 mm	0.47	36.5	125.0	40.1	99.0	M10	13.9	11.1	50.8	69.1
206	1-1/8	1.56	1-9/16	5-19/32	1-11/16	4-19/32	3/8	39/64	29/64	2-7/32	3-13/64
	1-3/16	1.46									
	1-1/4	1.36									
	30 mm	0.57	39.7	142.1	42.9	116.5	M10	13.9	11.5	56.4	81.4
207	1-1/4	2.18	1-3/4	6-5/16	1-53/64	5-1/8	1/2	5/8	35/64	2-11/16	3-45/64
	1-3/8	2.11									
	1-7/16	2.08									
	35 mm	1.00	44.5	160.3	46.4	130.0	M12	15.9	13.9	68.3	94.1
208	1-1/2	2.75	2	6-25/32	2-1/8	5-21/32	1/2	43/64	11/16	2-47/64	4-1/16
	40 mm	1.26	50.8	172.2	54.0	143.5	M12	17.1	17.5	69.5	103.1
209	1-5/8	3.11	2	7-5/64	2-9/64	5-27/32	9/16	23/32	11/16	2-63/64	4-5/16
	1-11/16	3.07									
	1-3/4	3.04									
	45 mm	1.41	50.8	179.8	54.4	148.5	M14	18.2	17.5	75.8	109.5
210	1-15/16	3.64	2-3/32	7-31/64	2-23/64	6-3/16	5/8	49/64	25/32	3-15/64	4-1/2
	2	3.60									
	50 mm	1.67	53.2	190.1	59.9	157.0	M16	19.4	19.8	82.1	114.3

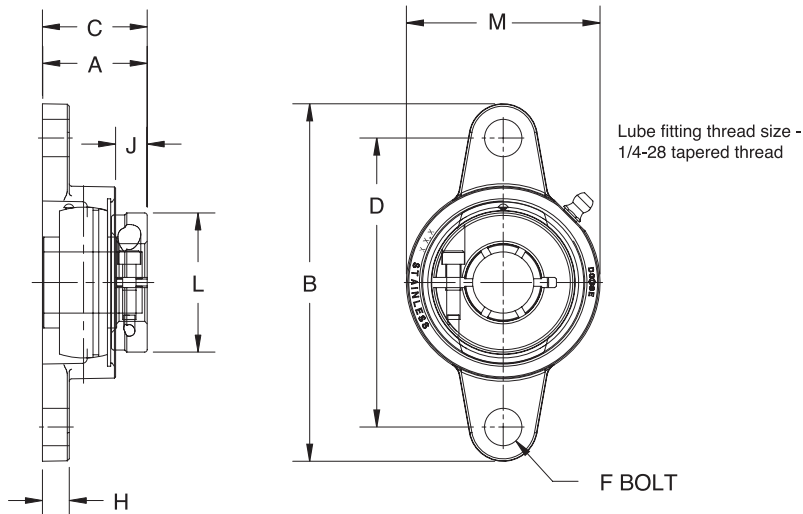
FEATURES/BENEFITS PAGE B1-2	SELECTION PAGE B1-5	INTERCHANGE PAGE B1-88	ACCESSORIES PAGE B1-90
--------------------------------	------------------------	---------------------------	---------------------------

# SELECTIONS/DIMENSIONS

# DODGE®



## E-Z KLEEN Mounted Bearings DLEZ NORMAL DUTY STAINLESS STEEL 2 BOLT FLANGE BEARINGS



Series	Shaft Size	Part No.	Description
204	3/4	<b>127723</b>	F2B-DLEZ-012-SHCR
	20mm	<b>127745</b>	F2B-DLEZ-20M-SHCR
205	7/8	@	F2B-DLEZ-014-SHCR*
	15/16	@	F2B-DLEZ-015-SHCR*
	1	<b>127724</b>	F2B-DLEZ-100-SHCR
	25mm	<b>127746</b>	F2B-DLEZ-25M-SHCR
206	1-1/8	@	F2B-DLEZ-102-SHCR
	1-3/16	<b>127725</b>	F2B-DLEZ-103-SHCR
	1-1/4	<b>127726</b>	F2B-DLEZ-104S-SHCR
	30mm	<b>127747</b>	F2B-DLEZ-30M-SHCR
207	1-1/4	<b>127727</b>	F2B-DLEZ-104-SHCR
	1-3/8	@	F2B-DLEZ-106-SHCR*
	1-7/16	<b>127728</b>	F2B-DLEZ-107-SHCR
	35mm	<b>127748</b>	F2B-DLEZ-35M-SHCR
208	1-1/2	<b>127729</b>	F2B-DLEZ-108-SHCR
	40mm	<b>127749</b>	F2B-DLEZ-40M-SHCR
210	1-11/16	@	F2B-DLMEZ-111-SHCR*
	1-15/16	<b>127730</b>	F2B-DLEZ-115-SHCR
	50mm	<b>127750</b>	F2B-DLEZ-50M-SHCR

@ Assembled to order  
\*20 piece minimum

FEATURES/BENEFITS  
PAGE B1-2

SELECTION  
PAGE B1-5

INTERCHANGE  
PAGE B1-88

ACCESSORIES  
PAGE B1-90

# SELECTION/DIMENSIONS



## E-Z KLEEN Mounted Bearings DLEZ NORMAL DUTY STAINLESS STEEL 2 BOLT FLANGE BEARINGS

Bearing Quick Reference

E-Z KLEEN

GRIP TIGHT Adapter Ball Bearing

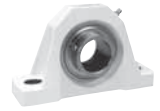
Set Screw Ball Bearing

Eccentric Collar Ball Bearing

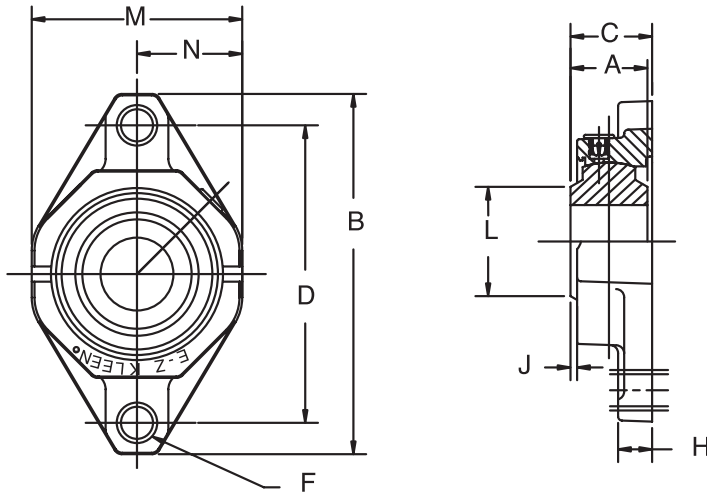
Series	Shaft Size	Weight lbs kg	A	B	C	D	F Bolt Dia.	H	J	L	M
204	3/4	1.10	1-9/32	4-3/8	1-19/64	3-17/32	3/8	21/64	13/32	1-45/64	2-3/8
	20mm	0.49	32.5	111.1	32.9	89.7	M10	8.3	10.3	43.3	60.3
205	7/8	1.51	1-7/16	4-57/64	1-29/64	3-57/64	3/8	23/64	31/64	2	2-5/8
	15/16	1.47									
	1	1.43									
206	1-1/8	2.21	1-9/16	5-33/64	1-19/32	4-19/32	3/8	23/64	29/64	2-7/32	3-1/8
	1-3/16	2.17									
	1-1/4	2.13									
207	30mm	0.98	1-3/4	6-3/16	1-25/32	5-1/8	1/2	27/64	9/16	2-11/16	3-1/2
	1-1/4	3.12									
	1-3/8	2.99									
208	1-7/16	2.95	2-3/32	7-31/64	2-9/64	6-3/16	5/8	31/64	25/32	3-15/64	4-5/16
	35mm	1.42									
	1-1/2	3.91									
210	40mm	1.77	53.2	190.1	54.4	157.2	M16	12.3	19.8	82.2	109.5
	1-11/16	4.89									
	1-15/16	4.85									
	50mm	2.20									

FEATURES/BENEFITS PAGE B1-2	SELECTION PAGE B1-5	INTERCHANGE PAGE B1-88	ACCESSORIES PAGE B1-90
--------------------------------	------------------------	---------------------------	---------------------------

# SELECTIONS/DIMENSIONS



## E-Z KLEEN Mounted Bearings PSEZ POLYMER SLEEVE POLYMER HOUSED 2 BOLT FLANGE BEARINGS



Series	Shaft Size	Part No.	Description
204	3/4	<b>034726</b>	F2B-PSEZ-012-P
	20mm	<b>034766</b>	F2B-PSEZ-20M-P
205	1	<b>034727</b>	F2B-PSEZ-100-P
	25mm	<b>034767</b>	F2B-PSEZ-25M-P
206	1-3/6	<b>034728</b>	F2B-PSEZ-103-P
	1-1/4	<b>034729</b>	F2B-PSEZ-104S-P
	30mm	<b>034768</b>	F2B-PSEZ-30M-P
207	1-1/4	<b>034730</b>	F2B-PSEZ-104-P
	1-7/16	<b>034731</b>	F2B-PSEZ-107-P
	35mm	<b>034769</b>	F2B-PSEZ-35M-P
208	1-1/2	<b>034732</b>	F2B-PSEZ-108-P
	40mm	<b>034770</b>	F2B-PSEZ-40M-P
210	1-15/16	<b>034735</b>	F2B-PSEZ-115-P
	50mm	<b>034772</b>	F28-PSEZ-50M-P

FEATURES/BENEFITS PAGE B1-2	SELECTION PAGE B1-5	INTERCHANGE PAGE B1-88	ACCESSORIES PAGE B1-90
--------------------------------	------------------------	---------------------------	---------------------------

# SELECTION/DIMENSIONS



## E-Z KLEEN Mounted Bearings PSEZ POLYMER SLEEVE POLYMER HOUSED 2 BOLT FLANGE BEARINGS

Bearing Quick Reference

E-Z KLEEN

GRIP TIGHT Adapter Ball Bearing

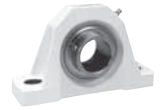
Set Screw Ball Bearing

Eccentric Collar Ball Bearing

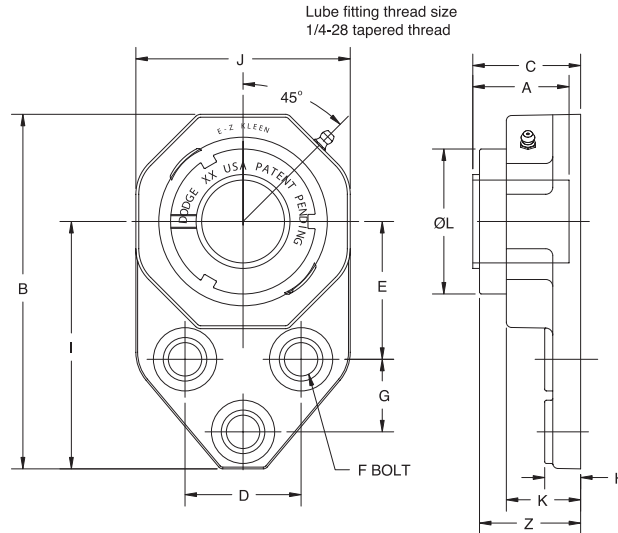
Series	Shaft Size	Weight lb. kg	A	B	C	D	F Bolt Dia	H	J	L	M
204	3/4 20mm	0.42 0.19	1 25.4	4-29/64 113.0	1-3/16 30.4	3-17/32 90.0	3/8 M10	17/32 13.5	5/64 1.9	1-5/16 33.3	2-23/64 59.9
205	1 25mm	0.46 0.21	1-1/16 27.0	4-59/64 125.0	1-1/4 31.5	3-57/64 99.0	3/8 M10	35/64 13.9	1/8 2.6	1-7/16 36.5	2-23/64 69.1
206	1-3/6 1-1/4 30mm	0.62 0.61 0.28	1-3/16 30.2	5-19/32 142.1	1-11/32 34.1	4-19/32 116.5	3/8 M10	35/64 13.9	7/64 2.6	1-11/16 42.9	3-13/64 81.4
207	1-1/4 1-7/16 35mm	0.78 0.73 0.36	1-5/16 33.3	6-5/16 160.3	1-27/64 36.2	5-1/8 130.0	1/2 M12	5/8 15.9	9/64 3.7	2 50.8	3-45/64 94.1
208	1-1/2 40mm	1.01 0.46	1-1/2 38.1	6-25/32 172.0	1-5/8 41.4	5-21/32 143.5	1/2 M12	43/64 17.1	1/4 4.6	2 50.8	4-1/16 103.1
210	1-15/16 50mm	1.14 0.52	1-5/8 41.3	7-31/64 19.1	1-53/64 46.5	6-3/16 157.0	5/8 M16	49/64 19.4	1/4 6.2	2-9/16 65.1	4-1/2 114.3

FEATURES/BENEFITS PAGE B1-2	SELECTION PAGE B1-5	INTERCHANGE PAGE B1-88	ACCESSORIES PAGE B1-90
--------------------------------	------------------------	---------------------------	---------------------------

# SELECTIONS/DIMENSIONS



## E-Z KLEEN Mounted Bearings GTEZ NORMAL DUTY POLYMER HOUSED FLANGE BEARINGS



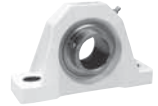
SERIES	SHAFT SIZE	COMPLETE UNIT		UNIT WITHOUT ADAPTER		ADAPTER & NUT ASSEMBLY	
		PART NO.	DESCRIPTION	PART NO.	DESCRIPTION	PART NO.	DESCRIPTION
204	3/4	<b>129627</b>	FB-GTEZ-012-PCR	<b>129555</b>	FB-GTEZ-04-PCR	<b>129967</b>	AN-GT-04-012-CR
205	1	<b>129629</b>	FB-GTEZ-100-PCR	<b>129556</b>	FB-GTEZ-05-PCR	<b>129968</b>	AN-GT-05-100-CR
206	1-1/8	@	FB-GTEZ-102-PCR	<b>129557</b>	FB-GTEZ-06-PCR	<b>129969</b>	AN-GT-06-102-CR
	1-3/16	<b>129631</b>	FB-GTEZ-103-PCR			<b>129970</b>	AN-GT-06-103-CR
	1-1/4	<b>129632</b>	FB-GTEZ-104S-PCR			<b>129971</b>	AN-GT-06-104S-CR
207	1-1/4	<b>129634</b>	FB-GTEZ-104-PCR	<b>129558</b>	FB-GTEZ-07-PCR	<b>129972</b>	AN-GT-07-104-CR
	1-3/8	@	FB-GTEZ-106-PCR			<b>129973</b>	AN-GT-07-106-CR
	1-7/16	<b>129635</b>	FB-GTEZ-107-PCR			<b>129974</b>	AN-GT-07-107-CR

@ Assembled to order

FEATURES/BENEFITS PAGE B1-2	SELECTION PAGE B1-5	INTERCHANGE PAGE B1-88	ACCESSORIES PAGE B1-90
--------------------------------	------------------------	---------------------------	---------------------------



# SELECTION/DIMENSIONS



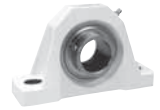
## E-Z KLEEN Mounted Bearings GTEZ NORMAL DUTY POLYMER HOUSED FLANGE BEARINGS

Series	Shaft Size	Weight lbs kg	A	B	C#	D	E	F Bolt Dia.	G	H	I	J	K	L	Z
204	3/4	0.75	1-15/32	4-25/64	1-45/64	1-1/2	1-11/16	3/8	7/8	17/32	3-15/64	2-11/32	1-1/8	1-1/2	1-11/16
205	1	1.12	1-29/64	4-29/32	1-11/16	1-5/8	1-13/16	3/8	1-1/8	35/64	3-9/16	2-23/32	1-9/64	1-51/64	1-47/64
206	1-1/8	1.77	1-39/64	5-31/64	1-53/64	1-7/8	2-1/16	3/8	1-1/4	39/64	3-7/8	3-13/64	1-1/4	2-5/64	1-25/32
	1-3/16	1.67													
	1-1/4	1.57													
207	1-1/4	2.65	1-5/8	6-7/64	1-27/32	2	2-3/8	1/2	1-1/4	5/8	4-17/64	3-45/64	1-9/32	2-3/8	1-53/64
	1-3/8	2.58													
	1-7/16	2.55													

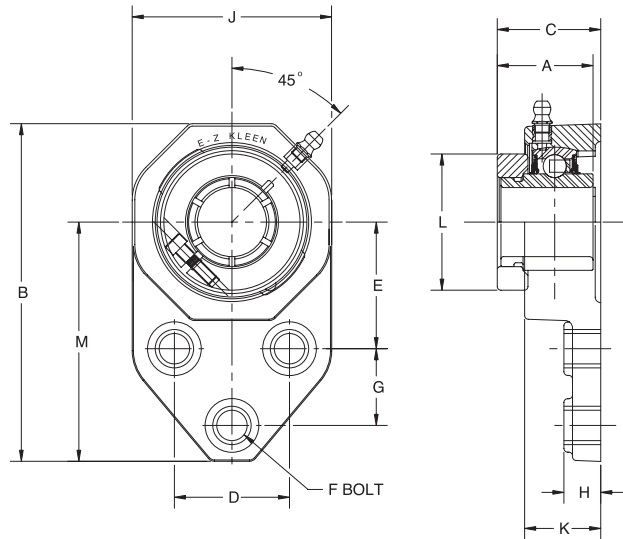
#C dimension will vary slightly depending on true shaft diameter.

FEATURES/BENEFITS PAGE B1-2	SELECTION PAGE B1-5	INTERCHANGE PAGE B1-88	ACCESSORIES PAGE B1-90
--------------------------------	------------------------	---------------------------	---------------------------

# SELECTIONS/DIMENSIONS



## E-Z KLEEN Mounted Bearings SCEZ NORMAL DUTY POLYMER HOUSED FLANGE BRACKETS

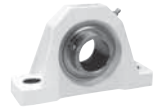


Series	Shaft Size	With Corrosion Resistant Insert		With Insert With Flingers	
		Part No.	Description	Part No.	Description
204	1/2	@	FB-SCEZ-008-PCR*	<b>062317</b>	FB-SCEZ-008-P
	5/8	@	FB-SCEZ-010-PCR*	@	FB-SCEZ-010-P
	3/4	<b>127533</b>	FB-SCEZ-012-PCR	<b>058336</b>	FB-SCEZ-012-P
	20 mm	<b>127570</b>	FB-SCEZ-20M-PCR	@	FB-SCEZ-20M-P
205	7/8	@	FB-SCEZ-014-PCR*	@	FB-SCEZ-014-P
	15/16	@	FB-SCEZ-015-PCR*	@	FB-SCEZ-015-P
	1	<b>127534</b>	FB-SCEZ-100-PCR	<b>057908</b>	FB-SCEZ-100-P
	25 mm	<b>127521</b>	FB-SCEZ-25M-PCR	@	FB-SCEZ-25M-P
206	1-1/8	@	FB-SCEZ-102-PCR*	@	FB-SCEZ-102-P
	1-3/16	<b>127535</b>	FB-SCEZ-103-PCR	@	FB-SCEZ-103-P
	1-1/4	<b>127536</b>	FB-SCEZ-104S-PCR	<b>058311</b>	FB-SCEZ-104S-P
	30 mm	<b>127522</b>	FB-SCEZ-30M-PCR	@	FB-SCEZ-30M-P
207	1-1/4	<b>127537</b>	FB-SCEZ-104-PCR	@	FB-SCEZ-104-P
	1-5/16	<b>058648</b>	FB-SCEZ-105-PCR*	@	FB-SCEZ-105-P
	1-3/8	@	FB-SCEZ-106-PCR*	@	FB-SCEZ-106-P
	1-7/16	<b>127538</b>	FB-SCEZ-107-PCR	@	FB-SCEZ-107-P
	35 mm	<b>127523</b>	FB-SCEZ-35M-PCR	@	FB-SCEZ-35M-P

@ Assembled to order  
\* 20 piece minimum

FEATURES/BENEFITS PAGE B1-2	SELECTION PAGE B1-5	INTERCHANGE PAGE B1-88	ACCESSORIES PAGE B1-90
--------------------------------	------------------------	---------------------------	---------------------------

# SELECTION/DIMENSIONS

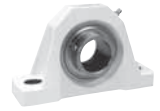


## E-Z KLEEN Mounted Bearings SCEZ NORMAL DUTY POLYMER HOUSED FLANGE BRACKETS

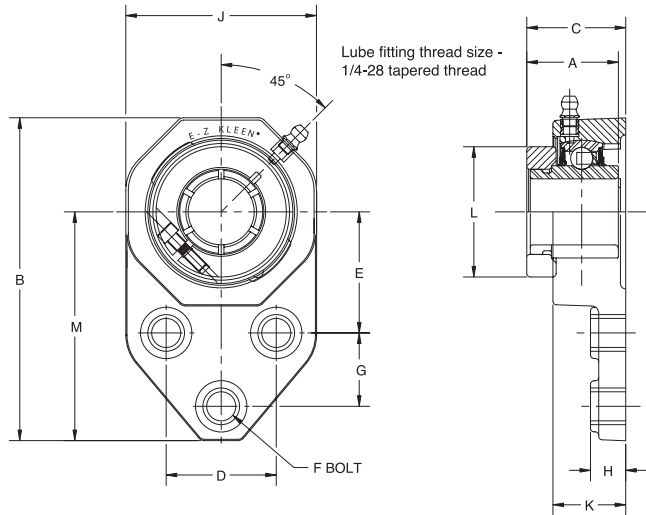
Series	Shaft Size	Weight lbs kg	A	B	C	D	E	F Bolt Dia.	G	H	I	J	K	L
204	1/2	0.51	1-5/32	4-25/64	1-27/64	1-1/2	1-11/16	3/8	7/8	17/32	3-3/16	2-11/32	1-1/8	1-1/8
	5/8	0.49												
	3/4	0.47												
	20 mm	0.23	29.4	111.5	37.3	38.1	42.9	M10	22.2	13.5	81.1	59.4	28.4	28.6
205	7/8	0.73	1-3/16	4-29/32	1-15/32	1-5/8	1-13/16	3/8	1-1/8	35/64	3-17/32	2-23/32	1-9/64	1-21/64
	15/16	0.71												
	1	0.69												
	25 mm	0.32	30.2	124.6	40.1	41.3	46.1	M10	28.6	13.9	89.8	69.1	29.0	33.7
206	1-1/8	1.09	1-25/64	5-31/64	1-21/32	1-7/8	2-1/16	3/8	1-1/4	39/64	3-57/64	3-13/64	1-1/4	1-37/64
	1-3/16	1.07												
	1-1/4	1.05												
	30 mm	0.48	35.3	139.2	42.9	47.6	52.4	M10	31.8	15.5	98.6	81.3	31.8	40.1
207	1-1/4	1.87	1-17/32	6-7/64	1-51/64	2	2-3/8	1/2	1-1/4	5/8	4-15/64	3-45/64	1-9/32	1-27/32
	1-5/16	1.81												
	1-3/8	1.76												
	35 mm	0.83	38.9	155.2	46.4	50.8	60.3	M12	31.8	15.9	107.6	94.1	32.5	46.8

FEATURES/BENEFITS PAGE B1-2	SELECTION PAGE B1-5	INTERCHANGE PAGE B1-88	ACCESSORIES PAGE B1-90
--------------------------------	------------------------	---------------------------	---------------------------

# SELECTIONS/DIMENSIONS



## E-Z KLEEN Mounted Bearings DLEZ NORMAL DUTY POLYMER HOUSED FLANGE BRACKETS



Series	Shaft Size	With Corrosion Resistant Insert		With Insert With Flingers	
		Part No.	Description	Part No.	Description
204	3/4	<b>127611</b>	FB-DLEZ-012-PCR	@	FB-DLEZ-012-P
	20 mm	<b>127648</b>	FB-DLEZ-20M-PCR	@	FB-DLEZ-20M-P
205	7/8	@	FB-DLEZ-014-PCR*	@	FB-DLEZ-014-P
	15/16	@	FB-DLEZ-015-PCR*	@	FB-DLEZ-015-P
	1	<b>127612</b>	FB-DLEZ-100-PCR	@	FB-DLEZ-100-P
	25 mm	<b>127649</b>	FB-DLEZ-25M-PCR	@	FB-DLEZ-25M-P
206	1-1/8	@	FB-DLEZ-102-PCR*	@	FB-DLEZ-102-P
	1-3/16	<b>127613</b>	FB-DLEZ-103-PCR	@	FB-DLEZ-103-P
	1-1/4	<b>127614</b>	FB-DLEZ-104S-PCR	@	FB-DLEZ-104S-P
	30 mm	<b>127650</b>	FB-DLEZ-30M-PCR	@	FB-DLEZ-30M-P
207	1-1/4	<b>127615</b>	FB-DLEZ-104-PCR	@	FB-DLEZ-104-P
	1-3/8	@	FB-DLEZ-106-PCR*	@	FB-DLEZ-106-P
	1-7/16	<b>127616</b>	FB-DLEZ-107-PCR	@	FB-DLEZ-107-P
	35 mm	<b>127651</b>	FB-DLEZ-35M-PCR	@	FB-DLEZ-35M-P

@ Assembled to order  
\* 20 piece minimum

FEATURES/BENEFITS PAGE B1-2	SELECTION PAGE B1-5	INTERCHANGE PAGE B1-88	ACCESSORIES PAGE B1-90
--------------------------------	------------------------	---------------------------	---------------------------

# SELECTION/DIMENSIONS



## E-Z KLEEN Mounted Bearings DLEZ NORMAL DUTY POLYMER HOUSED FLANGE BRACKETS

Bearing Quick Reference

E-Z KLEEN

GRIP TIGHT Adapter Ball Bearing

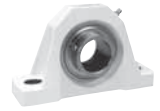
Set Screw Ball Bearing

Eccentric Collar Ball Bearing

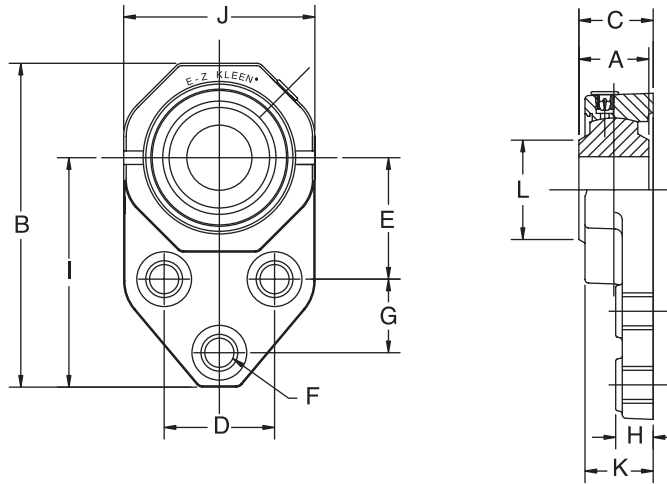
Series	Shaft Size	Weight lbs kg	A	B	C	D	E	F Bolt Dia.	G	H	I	J	K	L
204	3/4	0.75	1-9/32	4-25/64	1-15/32	1-1/2	1-11/16	3/8	7/8	17/32	3-3/16	2-11/32	1-1/8	1-45/64
	20 mm	0.35	32.5	111.5	37.3	38.1	42.9	M10	22.2	13.5	81.1	59.4	28.4	43.3
205	7/8	1.32	1-7/16	4-29/32	1-37/64	1-5/8	1-13/16	3/8	1-1/8	35/64	3-17/32	2-45/64	1-9/64	2
	15/16	1.22												
	1	1.12												
206	25 mm	0.51	36.5	124.6	40.1	41.3	46.1	M10	28.6	13.9	89.8	68.8	29.0	50.8
	1-1/8	1.77	1-9/16	5-31/64	1-11/16	1-7/8	2-1/16	3/8	1-1/4	39/64	3-57/64	3-13/64	1-1/4	2-7/32
	1-3/16	1.67												
207	1-1/4	1.57												
	30 mm	0.76	39.7	139.3	42.9	47.6	52.4	M10	31.8	15.5	98.6	81.3	31.8	56.4
	1-1/4	2.65	1-3/4	6-7/64	1-53/64	2	2-3/8	1/2	1-1/4	5/8	4-15/64	3-45/64	1-9/32	2-11/16
207	1-3/8	2.58												
	1-7/16	2.55												
	35 mm	1.22	44.5	155.2	46.4	50.8	60.3	M12	31.8	15.9	107.6	94.1	32.5	68.3

FEATURES/BENEFITS PAGE B1-2	SELECTION PAGE B1-5	INTERCHANGE PAGE B1-88	ACCESSORIES PAGE B1-90
--------------------------------	------------------------	---------------------------	---------------------------

# SELECTIONS/DIMENSIONS



## E-Z KLEEN Mounted Bearings PSEZ POLYMER SLEEVE POLYMER HOUSED 3-BOLT FLANGE BRACKET



Series	Shaft Size	Part No.	Description
204	3/4	<b>034736</b>	FB-PSEZ-012-P
	20mm	<b>034773</b>	FB-PSEZ-20M-P
205	1	<b>034737</b>	FB-PSEZ-100-P
	25mm	<b>034774</b>	FB-PSEZ-25M-P
206	1-3/16	<b>034738</b>	FB-PSEZ-103-P
	1-1/4	<b>034739</b>	FB-PSEZ-104S-P
	30mm	<b>034775</b>	FB-PSEZ-30M-P
207	1-1/4	<b>034740</b>	FB-PSEZ-104-P
	1-7/16	<b>034741</b>	FB-PSEZ-107-P
	35mm	<b>034776</b>	FB-PSEZ-35M-P

FEATURES/BENEFITS  
PAGE B1-2

SELECTION  
PAGE B1-5

INTERCHANGE  
PAGE B1-88

ACCESSORIES  
PAGE B1-90

# SELECTION/DIMENSIONS



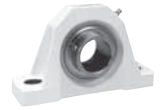
## E-Z KLEEN Mounted Bearings

### PSEZ POLYMER SLEEVE POLYMER HOUSED 3-BOLT FLANGE BRACKET

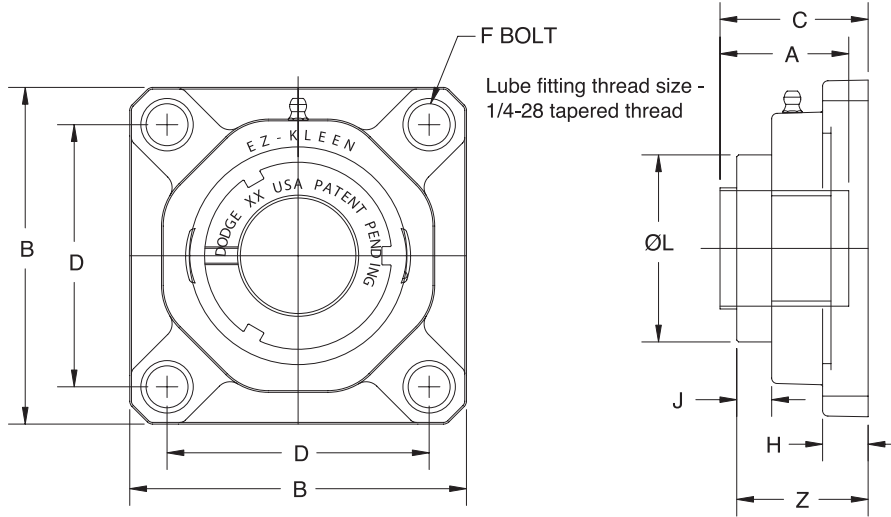
Series	Shaft Size	Weight lbs kg	A	B	C	D	E	F	G	H	I	J	K	L
204	3/4 20mm	0.4 0.18	1 25.4	4-25/64 111.5	1-3/16 12.7	1-1/2 38.1	1-11/16 42.9	3/8 M10	7/8 22.2	17/32 13.5	3-3/16 81.1	2-11/32 59.4	1-1/8 28.4	1-5/16 33.3
205	1 25mm	0.57 0.23	1-1/16 27	4-29/32 124.7	1-1/4 31.5	1-5/8 41.3	1-13/16 46.1	3/8 M10	1-1/8 28.6	35/64 13.9	3-17/32 89.8	2-45/64 68.8	1-9/64 29	1-7/16 36.5
206	1-3/16 1-1/4 30mm	0.83 0.82 0.38	1-3/16 30.2	5-31/64 139.2	1-11/32 34.1	1-7/8 47.6	2-1/16 52.4	3/8 M10	1-1/4 31.7	39/64 15.5	3-57/64 98.6	3-13/64 81.3	1-1/4 31.8	1-11/16 42.9
207	1-1/4 1-7/16 35mm	1.25 1.2 0.57	1-5/16 33.3	6-7/64 155.2	1-27/64 36.2	2 50.8	2-3/8 60.3	1/2 M12	1-1/4 31.7	5/8 15.9	4-15/64 107.6	3-45/64 94.1	1-9/32 32.5	2 50.8

FEATURES/BENEFITS PAGE B1-2	SELECTION PAGE B1-5	INTERCHANGE PAGE B1-88	ACCESSORIES PAGE B1-90
--------------------------------	------------------------	---------------------------	---------------------------

# SELECTIONS/DIMENSIONS



## E-Z KLEEN Mounted Bearings GTEZ NORMAL DUTY POLYMER HOUSED 4-BOLT FLANGE BEARINGS



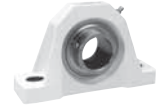
Series	Shaft Size	Complete Unit		Unit Without Adapter		Adapter & Nut Assembly	
		Part No.	Description	Part No.	Description	Part No.	Description
204	3/4 20 mm	<b>129706</b>	F4B-GTEZ-012-PCR	<b>129541</b>	F4B-GTEZ-04-PCR	<b>129967</b>	AN-GT-04-012-CR
		<b>129707</b>	F4B-GTEZ-20M-PCR			<b>129980</b>	AN-GT-04-20M-CR
205	1 25 mm	<b>129708</b>	F4B-GTEZ-100-PCR	<b>129542</b>	F4B-GTEZ-05-PCR	<b>129968</b>	AN-GT-05-100-CR
		<b>129709</b>	F4B-GTEZ-25M-PCR			<b>129981</b>	AN-GT-05-25M-CR
206	1-1/8 1-3/16 1-1/4 30 mm	<b>068687</b>	F4B-GTEZ-102-PCR	<b>129543</b>	F4B-GTEZ-06-PCR	<b>129969</b>	AN-GT-06-102-CR
		<b>129710</b>	F4B-GTEZ-103-PCR			<b>129970</b>	AN-GT-06-103-CR
		<b>129711</b>	F4B-GTEZ-104S-PCR			<b>129971</b>	AN-GT-06-104S-CR
		<b>129712</b>	F4B-GTEZ-30M-PCR			<b>129982</b>	AN-GT-06-30M-CR
207	1-1/4 1-3/8 1-7/16 35 mm	<b>129713</b>	F4B-GTEZ-104-PCR	<b>129544</b>	F4B-GTEZ-07-PCR	<b>129972</b>	AN-GT-07-104-CR
		@	F4B-GTEZ-106-PCR			<b>129973</b>	AN-GT-07-106-CR
		<b>129714</b>	F4B-GTEZ-107-PCR			<b>129974</b>	AN-GT-07-107-CR
		<b>129715</b>	F4B-GTEZ-35M-PCR			<b>129983</b>	AN-GT-07-35M-CR
208	1-1/2 40 mm	<b>129716</b>	F4B-GTEZ-108-PCR	<b>129545</b>	F4B-GTEZ-08-PCR	<b>129975</b>	AN-GT-08-108-CR
		<b>129717</b>	F4B-GTEZ-40M-PCR			<b>129984</b>	AN-GT-08-40M-CR
209	1-11/16 1-3/4 45 mm	<b>129718</b>	F4B-GTEZ-111-PCR	<b>129546</b>	F4B-GTEZ-09-PCR	<b>129976</b>	AN-GT-09-111-CR
		<b>064584</b>	F4B-GTEZ-112-PCR			<b>129977</b>	AN-GT-09-112-CR
		<b>129705</b>	F4B-GTEZ-45M-PCR			<b>129985</b>	AN-GT-09-45M-CR
210	1-15/16 2 50 mm	<b>129719</b>	F4B-GTEZ-115-PCR	<b>129547</b>	F4B-GTEZ-10-PCR	<b>129978</b>	AN-GT-10-115-CR
		<b>129395</b>	F4B-GTEZ-200-PCR			<b>129979</b>	AN-GT-10-200-CR
		<b>129720</b>	F4B-GTEZ-50M-PCR			<b>129986</b>	AN-GT-10-50M-CR

@ Assembled to order

FEATURES/BENEFITS PAGE B1-2	SELECTION PAGE B1-5	INTERCHANGE PAGE B1-88	ACCESSORIES PAGE B1-90
--------------------------------	------------------------	---------------------------	---------------------------



# SELECTION/DIMENSIONS



## E-Z KLEEN Mounted Bearings GTEZ NORMAL DUTY POLYMER HOUSED 4-BOLT FLANGE BEARINGS

Bearing Quick Reference

E-Z KLEEN

GRIP TIGHT Adapter Ball Bearing

Set Screw Ball Bearing

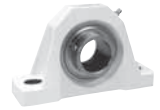
Eccentric Collar Ball Bearing

Series	Shaft Size	Weight lbs kg	A	B	C#	D	F Bolt Dia.	H	J	L	Z
204	3/4	0.50	1-15/32	3-3/8	1-23/32	2-1/2	3/8	17/32	35/64	1-1/2	1-25/32
	20 mm	0.30	37.3	85.7	43.7	63.5	M10	13.5	13.9	38.1	45.2
205	1	0.90	1-29/64	3-3/4	1-45/64	2-3/4	3/8	35/64	17/32	1-51/64	1-49/64
	25 mm	0.30	36.9	95.3	43.3	69.9	M10	13.9	13.5	45.6	44.8
206	1-1/8	1.20	1-39/64	4-1/4	1-55/64	3-1/4	3/8	39/64	35/64	2-5/64	1-29/32
	1-3/16 1-1/4 30 mm	0.50	40.9	108.0	47.2	82.6	M10	15.5	13.9	52.8	48.4
207	1-1/4	1.60	1-5/8	4-21/32	1-7/8	3-5/8	1/2	5/8	35/64	2-3/8	1-61/64
	1-3/8 1-7/16 35 mm	0.70	41.3	118.3	47.6	92.1	M12	15.9	13.9	60.3	49.6
208	1-1/2	2.00	1-27/32	5-1/8	2-7/64	4	1/2	43/64	37/64	2-5/8	2-5/32
	40 mm	0.90	46.8	130.2	53.6	101.6	M12	17.1	14.7	66.7	54.8
209	1-11/16	2.30	1-55/64	5-3/8	2-7/64	4-1/8	9/16	23/32	19/32	2-55/64	2-13/64
	1-3/4 45 mm	1.00	47.2	136.5	53.6	104.8	M14	18.3	15.1	72.6	56.0
210	1-15/16	2.30	1-55/64	5-5/8	2-1/4	4-3/8	5/8	49/64	39/64	3-1/8	2-11/32
	2 50 mm	1.10	47.2	142.7	57.2	111.0	M16	19.4	15.5	79.4	59.5

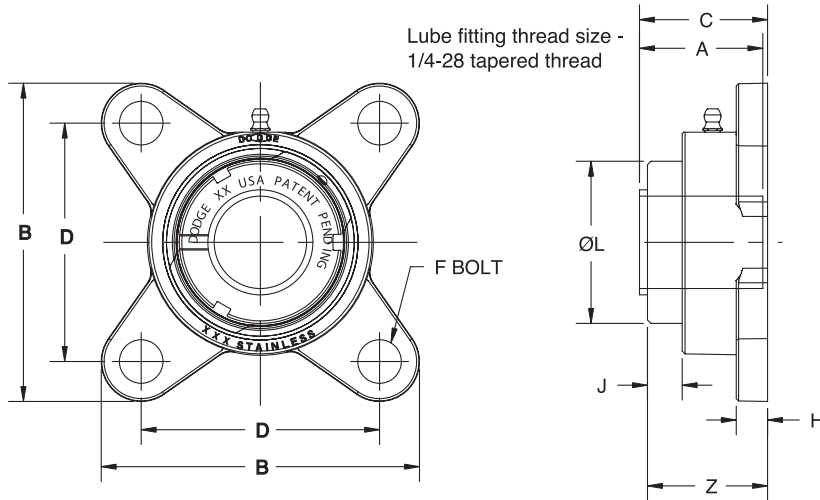
#C dimension will vary slightly depending on true shaft diameter.

FEATURES/BENEFITS PAGE B1-2	SELECTION PAGE B1-5	INTERCHANGE PAGE B1-88	ACCESSORIES PAGE B1-90
--------------------------------	------------------------	---------------------------	---------------------------

# SELECTIONS/DIMENSIONS



## E-Z KLEEN Mounted Bearings GTEZ NORMAL DUTY STAINLESS STEEL 4-BOLT FLANGE BEARINGS



Series	Shaft Size	Complete Unit		Unit Without Adapter		Adapter & Nut Assembly	
		Part No.	Description	Part No.	Description	Part No.	Description
204	3/4	<b>129721</b>	F4B-GTEZ-012-SHCR	<b>129567</b>	F4B-GTEZ-04-SHCR	<b>129967</b>	AN-GT-04-012-CR
	20mm	<b>129722</b>	F4B-GTEZ-20M-SHCR			<b>129980</b>	AN-GT-04-20M-CR
205	1	<b>129723</b>	F4B-GTEZ-100-SHCR	<b>129568</b>	F4B-GTEZ-05-SHCR	<b>129968</b>	AN-GT-05-100-CR
	25mm	<b>129724</b>	F4B-GTEZ-25M-SHCR			<b>129981</b>	AN-GT-05-25M-CR
206	1 -1/8	@	F4B-GTEZ-102-SHCR	<b>129569</b>	F4B-GTEZ-06-SHCR	<b>129969</b>	AN-GT-06-102-CR
	1 -3/16	<b>129725</b>	F4B-GTEZ-103-SHCR			<b>129970</b>	AN-GT-06-103-CR
	1 -1/4	<b>129726</b>	F4B-GTEZ-104S-SHCR			<b>129971</b>	AN-GT-06-104S-CR
	30mm	<b>129727</b>	F4B-GTEZ-30M-SHCR			<b>129982</b>	AN-GT-06-30M-CR
207	1 -1/4	<b>129728</b>	F4B-GTEZ-104-SHCR	<b>129570</b>	F4B-GTEZ-07-SHCR	<b>129972</b>	AN-GT-07-104-CR
	1 -3/8	<b>064993</b>	F4B-GTEZ-106-SHCR			<b>129973</b>	AN-GT-07-106-CR
	1 -7/16	<b>129729</b>	F4B-GTEZ-107-SHCR			<b>129974</b>	AN-GT-07-107-CR
	35mm	<b>129730</b>	F4B-GTEZ-35M-SHCR			<b>129983</b>	AN-GT-07-35M-CR
208	1 -1/2	<b>129731</b>	F4B-GTEZ-108-SHCR	<b>129571</b>	F4B-GTEZ-08-SHCR	<b>129975</b>	AN-GT-08-108-CR
	40mm	<b>129732</b>	F4B-GTEZ-40M-SHCR			<b>129984</b>	AN-GT-08-40M-CR
210	1-15/16	<b>129733</b>	F4B-GTEZ-115-SHCR	<b>129572</b>	F4B-GTEZ-10-SHCR	<b>129978</b>	AN-GT-10-115-CR
	2	<b>062901</b>	F4B-GTEZ-200-SHCR			<b>129979</b>	AN-GT-10-200-CR
	50mm	<b>129734</b>	F4B-GTEZ-50M-SHCR			<b>129986</b>	AN-GT-10-50M-CR

@ Assembled to order

FEATURES/BENEFITS PAGE B1-2	SELECTION PAGE B1-5	INTERCHANGE PAGE B1-88	ACCESSORIES PAGE B1-90
--------------------------------	------------------------	---------------------------	---------------------------

# SELECTION/DIMENSIONS



## E-Z KLEEN Mounted Bearings

### GTEZ NORMAL DUTY STAINLESS STEEL 4-BOLT FLANGE BEARINGS

Bearing Quick Reference

E-Z KLEEN

GRIP TIGHT Adapter Ball Bearing

Set Screw Ball Bearing

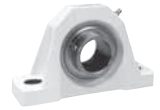
Eccentric Collar Ball Bearing

Series	Shaft Size	Weight lbs kg	A	B	C#	D	F Bolt Dia.	H	J	L	Z
204	3/4	1.23	1 15/32	3 11/32	1 33/64	2-1/2	3/8	21/64	19/32	1 1/2	1-37/64
	20mm	0.55	37.3	84.9	38.5	63.5	M10	8.3	15.1	38.1	40.1
205	1	1.69	1 29/64	3 3/4	1 35/64	2 3/4	3/8	23/64	35/64	1 51/64	1-39/64
	25mm	0.73	36.9	95.3	39.3	69.9	M10	9.1	13.9	45.6	40.9
206	1 -1/8	2.41	1 39/64	4 5/32	1 47/64	3 1/4	3/8	23/64	35/64	2-5/64	1-25/32
	1 -3/16 1 -1/4 30mm	1.07	40.9	105.6	44.1	82.6	M10	9.1	13.9	52.8	45.2
207	1 -1/4	3.42	1 5/8	4 11/16	1 25/32	3 5/8	1/2	27/64	35/64	2-3/8	1-55/64
	1 -3/8 1 -7/16 35mm	1.56	41.3	119.1	45.2	92.1	M12	10.7	13.9	60.3	47.2
208	1 -1/2	4.21	1 27/32	5 1/16	1 63/64	4	1/2	27/64	37/64	2-5/8	2-1/32
	40mm	1.91	46.8	128.6	50.4	101.6	M12	10.7	14.7	66.7	51.6
210	1-15/16	5.33	1 55/64	5 43/64	2	4 3/8	5/8	31/64	19/32	3-1/8	2-5/64
	2 50mm	2.39	47.2	144.1	50.8	111.1	M16	12.3	15.1	79.4	52.8

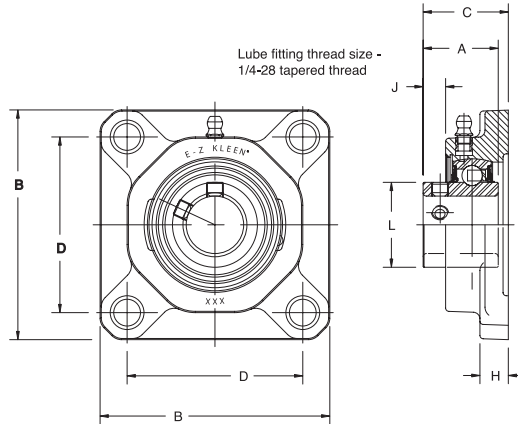
#C dimension will vary slightly depending on true shaft diameter.

FEATURES/BENEFITS PAGE B1-2	SELECTION PAGE B1-5	INTERCHANGE PAGE B1-88	ACCESSORIES PAGE B1-90
--------------------------------	------------------------	---------------------------	---------------------------

# SELECTIONS/DIMENSIONS



## E-Z KLEEN Mounted Bearings SCEZ NORMAL DUTY POLYMER HOUSED 4-BOLT FLANGE BEARINGS



Series	Shaft Size	With Corrosion Resistant Insert		With Insert With Flingers	
		Part No.	Description	Part No.	Description
204	1/2	@	F4B-SCEZ-008L-PCR*	@	F4B-SCEZ-008L-P
	5/8	@	F4B-SCEZ-010L-PCR*	@	F4B-SCEZ-010L-P
	3/4	<b>127515</b>	F4B-SCEZ-012-PCR	<b>056440</b>	F4B-SCEZ-012-P
	20 mm	<b>127556</b>	<i>F4B-SCEZ-20M-PCR</i>	@	<i>F4B-SCEZ-20M-P</i>
205	7/8	<b>068424</b>	F4B-SCEZ-014-PCR*	@	F4B-SCEZ-014-P
	15/16	@	F4B-SCEZ-015-PCR*	@	F4B-SCEZ-015-P
	1	<b>127516</b>	F4B-SCEZ-100-PCR	<b>058910</b>	F4B-SCEZ-100-P
	25 mm	<b>127557</b>	<i>F4B-SCEZ-25M-PCR</i>	@	<i>F4B-SCEZ-25M-P</i>
206	1-1/8	@	F4B-SCEZ-102-PCR*	@	F4B-SCEZ-102-P
	1-3/16	<b>127517</b>	F4B-SCEZ-103-PCR	@	F4B-SCEZ-103-P
	1-1/4	<b>127518</b>	F4B-SCEZ-104S-PCR	<b>058594</b>	F4B-SCEZ-104S-P
	30 mm	<b>127558</b>	<i>F4B-SCEZ-30M-PCR</i>	@	<i>F2B-SCEZ-30M-P</i>
207	1-1/4	<b>127519</b>	F4B-SCEZ-104-PCR	@	F4B-SCEZ-104-P
	1-5/16	@	F4B-SCEZ-105-PCR*	@	F4B-SCEZ-105-P
	1-3/8	<b>058294</b>	F4B-SCEZ-106-PCR*	<b>065780</b>	F4B-SCEZ-106-P
	1-7/16	<b>127520</b>	F4B-SCEZ-107-PCR	@	F4B-SCEZ-107-P
	35 mm	<b>127559</b>	<i>F4B-SCEZ-35M-PCR</i>	@	<i>F4B-SCEZ-35M-P</i>
208	1-1/2	<b>127521</b>	F4B-SCEZ-108-PCR	<b>058595</b>	F4B-SCEZ-108-P
	1-5/8	@	F4B-SCEZ-110-PCR*	@	F4B-SCEZ-110-P
	40 mm	<b>127560</b>	<i>F4B-SCEZ-40M-PCR</i>	@	<i>F4B-SCEZ-40M-P</i>
209	1-5/8	@	F4B-SCEZ-110L-PCR*	@	F4B-SCEZ-110L-P
	1-11/16	<b>127522</b>	F4B-SCEZ-111-PCR	@	F4B-SCEZ-111-P
	1-3/4	<b>057907</b>	F4B-SCEZ-112-PCR*	@	F4B-SCEZ-112-P
	45 mm	<b>127561</b>	<i>F4B-SCEZ-45M-PCR</i>	@	<i>F4B-SCEZ-45M-P</i>
210	1-15/16	<b>127523</b>	F4B-SCEZ-115-PCR	@	F4B-SCEZ-115-P
	2	<b>057899</b>	F4B-SCEZ-200-PCR	@	F4B-SCEZ-200-P
	50 mm	<b>127562</b>	<i>F4B-SCEZ-50M-PCR</i>	@	<i>F4B-SCEZ-50M-P</i>

@ Assembled to order

\* 20 piece minimum

FEATURES/BENEFITS PAGE B1-2	SELECTION PAGE B1-5	INTERCHANGE PAGE B1-88	ACCESSORIES PAGE B1-90
--------------------------------	------------------------	---------------------------	---------------------------

# SELECTION/DIMENSIONS

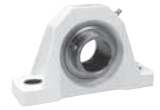


## E-Z KLEEN Mounted Bearings SCEZ NORMAL DUTY POLYMER HOUSED 4-BOLT FLANGE BEARINGS

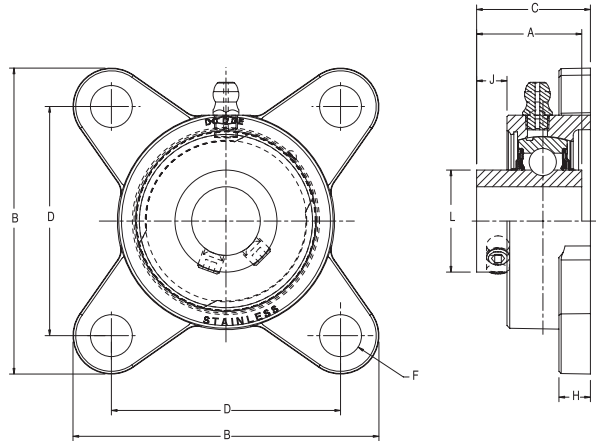
Series	Shaft Size	Weight lbs kg	A	B	C	D	F Bolt Dia.	H	J	L
204	1/2	0.59	1-5/32	3-3/8	1-29/64	2-1/2	3/8	17/32	19/64	1-1/8
	5/8	0.57								
	3/4	0.55								
	20 mm	0.27	29.4	85.9	36.8	63.5	M10	13.5	7.6	28.6
205	7/8	0.71	1-3/16	3-3/4	1-1/2	2-3/4	3/8	35/64	21/64	1-21/64
	15/16	0.69								
	1	0.67								
	25 mm	0.32	30.2	95.3	38.1	70.0	M10	13.9	8.4	33.7
206	1-1/8	0.89	1-25/64	4-1/4	1-11/16	3-1/4	3/8	39/64	27/64	1-37/64
	1-3/16	0.86								
	1-1/4	0.84								
	30 mm	0.39	35.3	108.1	42.8	82.5	M10	15.5	10.6	40.1
207	1-1/4	1.40	1-17/32	4-21/32	1-53/64	3-5/8	1/2	5/8	33/64	1-27/32
	1-5/16	1.35								
	1-3/8	1.30								
	35 mm	0.61	38.9	118.1	46.5	92.0	M12	15.9	13.2	46.8
208	1-1/2	1.82	1-11/16	5-1/8	2	4	1/2	43/64	33/64	2-3/64
	1-5/8	1.68								
	40 mm	0.76	42.9	130.0	50.9	101.5	M12	16.9	13.3	52.0
	1-5/8	2.09	1-23/32	5-3/8	2-1/32	4-1/8	9/16	23/32	9/16	2-7/32
209	1-11/16	2.00								
	1-3/4	1.93								
	45 mm	0.88	43.7	136.7	51.7	105.0	M14	18.2	14.1	56.4
	1-15/16	2.12	1-3/4	5-5/8	2-13/64	4-3/8	5/8	49/64	19/32	2-7/16
210	2	2.03								
	50 mm	0.96	44.5	142.7	56.0	111.0	M16	19.3	15.1	61.9

FEATURES/BENEFITS PAGE B1-2	SELECTION PAGE B1-5	INTERCHANGE PAGE B1-88	ACCESSORIES PAGE B1-90
--------------------------------	------------------------	---------------------------	---------------------------

# SELECTIONS/DIMENSIONS



## E-Z KLEEN Mounted Bearings SCEZ NORMAL DUTY STAINLESS STEEL 4-BOLT FLANGE BEARINGS



Series	Shaft Size	With Corrosion Resistant Insert		With Insert With Flingers	
		Part No.	Description	Part No.	Description
204	1/2	@	F4B-SCEZ-008L-SHCR*	@	F4B-SCEZ-008L-SH
	5/8	@	F4B-SCEZ-010L-SHCR*	@	F4B-SCEZ-010L-SH
	3/4	<b>127689</b>	F4B-SCEZ-012-SHCR	<b>056806</b>	F4B-SCEZ-012-SH
	20mm	<b>127709</b>	F4B-SCEZ-20M-SHCR	@	F4B-SCEZ-20M-SH
205	7/8	<b>065600</b>	F4B-SCEZ-014-SHCR*	@	F4B-SCEZ-014-SH
	15/16	@	F4B-SCEZ-015-SHCR*	@	F4B-SCEZ-015-SH
	1	<b>127690</b>	F4B-SCEZ-100-SHCR	<b>056593</b>	F4B-SCEZ-100-SH
	25mm	<b>127710</b>	F4B-SCEZ-25M-SHCR	@	F4B-SCEZ-25M-SH
206	1-1/8	@	F4B-SCEZ-102-SHCR*	<b>049477</b>	F4B-SCEZ-102-SH
	1-3/16	<b>127691</b>	F4B-SCEZ-103-SHCR	<b>056807</b>	F4B-SCEZ-103-SH
	1-1/4	<b>127692</b>	F4B-SCEZ-104S-SHCR	@	F4B-SCEZ-104S-SH
	30mm	<b>127711</b>	F4B-SCEZ-30M-SHCR	@	F4B-SCEZ-30M-SH
207	1-1/4	<b>127693</b>	F4B-SCEZ-104-SHCR	<b>056633</b>	F4B-SCEZ-104-SH
	1-3/8	@	F4B-SCEZ-106-SHCR*	@	F4B-SCEZ-106-SH
	1-7/16	<b>127694</b>	F4B-SCEZ-107-SHCR	<b>056808</b>	F4B-SCEZ-107-SH
	35mm	<b>127712</b>	F4B-SCEZ-35M-SHCR	@	F4B-SCEZ-35M-SH
208	1-1/2	<b>127695</b>	F4B-SCEZ-108-SHCR	<b>056809</b>	F4B-SCEZ-108-SH
	1-5/8	@	F4B-SCEZ-110-SHCR*	<b>062340</b>	F4B-SCEZ-110-SH
	40mm	<b>127713</b>	F4B-SCEZ-40M-SHCR	@	F4B-SCEZ-40M-SH
	210	1-11/16	@	F4B-SCMEZ-111-SHCR*	@
1-3/4		@	F4B-SCMEZ-112-SHCR*	<b>065945</b>	F4B-SCMEZ-112-SH
1-15/16		<b>127696</b>	F4B-SCEZ-115-SHCR	<b>056810</b>	F4B-SCEZ-115-SH
2		<b>062542</b>	F4B-SCEZ-200-SHCR	@	
50mm		<b>127714</b>	F4B-SCEZ-50M-SHCR	@	F4B-SCEZ-50M-SH

@ Assembled to order

\*20 piece minimum

FEATURES/BENEFITS PAGE B1-2	SELECTION PAGE B1-5	INTERCHANGE PAGE B1-88	ACCESSORIES PAGE B1-90
--------------------------------	------------------------	---------------------------	---------------------------

# SELECTION/DIMENSIONS



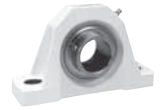
## E-Z KLEEN Mounted Bearings

### SCEZ NORMAL DUTY STAINLESS STEEL 4-BOLT FLANGE BEARINGS

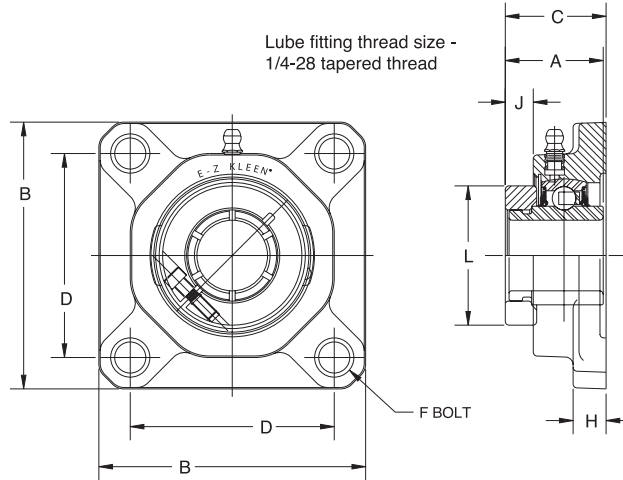
Series	Shaft Size	Weight lbs	A	B	C	D	F Bolt	H	J	L
204	1/2	1.16	1-5/32	3-11/32	1-1/4	2-1/2	3/8	21/64	11/32	1-1/8
	5/8	1.12								
	3/4	1.08								
	20mm	0.49	29.4	84.9	31.8	63.5	M10	8.3	8.7	28.6
205	7/8	1.47	1-3/16	3-3/4	1-11/32	2-3/4	3/8	23/64	3/8	1-21/64
	15/16	1.43								
	1	1.39								
	25mm	0.63	30.2	95.3	34.1	69.9	M10	9.1	9.5	33.7
206	1-1/8	2.13	1-25/64	4-5/32	1-9/16	3-1/4	3/8	23/64	27/64	1-37/64
	1-3/16	2.09								
	1-1/4	2.05								
	30mm	0.95	35.3	105.6	39.7	82.6	M10	9.1	10.7	40.1
207	1-1/4	2.95	1-17/32	4-11/16	1-3/4	3-5/8	1/2	27/64	17/32	1-27/32
	1-3/8	2.83								
	1-7/16	2.78								
	35mm	1.29	38.9	119.1	44.5	92.1	M12	10.7	13.5	46.8
208	1-1/2	3.70	1-11/16	5-1/16	1-7/8	4	1/2	27/64	17/32	2-3/64
	1-5/8									
	40mm	1.64	42.9	128.6	47.6	101.6	M12	10.7	13.5	52.0
210	1-11/16	4.64	1-3/4	5-43/64	1-61/64	4-3/8	5/8	31/64	19/32	2-7/16
	1-3/4	4.40								
	1-15/16	4.60								
	50mm	2.07	44.5	144.1	49.6	111.1	M16	12.3	15.1	61.9

FEATURES/BENEFITS PAGE B1-2	SELECTION PAGE B1-5	INTERCHANGE PAGE B1-88	ACCESSORIES PAGE B1-90
--------------------------------	------------------------	---------------------------	---------------------------

# SELECTIONS/DIMENSIONS



## E-Z KLEEN Mounted Bearings DLEZ NORMAL DUTY POLYMER HOUSED 4-BOLT FLANGE BEARINGS



Series	Shaft Size	With Corrosion Resistant Insert		Standard Insert With Flingers	
		Part No.	Description	Part No.	Description
204	3/4	<b>127593</b>	F4B-DLEZ-012-PCR	@	F4B-DLEZ-012-P
	20 mm	<b>127634</b>	F4B-DLEZ-20M-PCR	@	F4B-DLEZ-20M-P
205	7/8	@	F4B-DLEZ-014-PCR*	@	F4B-DLEZ-014-P
	15/16	@	F4B-DLEZ-015-PCR*	@	F4B-DLEZ-015-P
	1	<b>127594</b>	F4B-DLEZ-100-PCR	@	F4B-DLEZ-100-P
	25 mm	<b>127635</b>	F4B-DLEZ-25M-PCR	@	F4B-DLEZ-25M-P
206	1-1/8	@	F4B-DLEZ-102-PCR*	@	F4B-DLEZ-102-P
	1-3/16	<b>127595</b>	F4B-DLEZ-103-PCR	@	F4B-DLEZ-103-P
	1-1/4	<b>127596</b>	F4B-DLEZ-104S-PCR	@	F4B-DLEZ-104S-P
	30 mm	<b>127636</b>	F4B-DLEZ-30M-PCR	@	F4B-DLEZ-30M-P
207	1-1/4	<b>127597</b>	F4B-DLEZ-104-PCR	@	F4B-DLEZ-104-P
	1-3/8	@	F4B-DLEZ-106-PCR*	@	F4B-DLEZ-106-P
	1-7/16	<b>127598</b>	F4B-DLEZ-107-PCR	@	F4B-DLEZ-107-P
	35 mm	<b>127637</b>	F4B-DLEZ-35M-PCR	@	F4B-DLEZ-35M-P
208	1-1/2	<b>127599</b>	F4B-DLEZ-108-PCR	@	F4B-DLEZ-108-P
	40 mm	<b>127638</b>	F4B-DLEZ-40M-PCR	@	F4B-DLEZ-40M-P
209	1-5/8	@	F4B-DLEZ-110L-PCR*	@	F4B-DLEZ-110L-P
	1-11/16	<b>127600</b>	F4B-DLEZ-111-PCR	@	F4B-DLEZ-111-P
	1-3/4	@	F4B-DLEZ-112-PCR*	@	F4B-DLEZ-112-P
210	45 mm	<b>127639</b>	F4B-DLEZ-45M-PCR	@	F4B-DLEZ-45M-P
	1-15/16	<b>127601</b>	F4B-DLEZ-115-PCR	@	F4B-DLEZ-115-P
	2	<b>058514</b>	F4B-DLEZ-200-PCR*	@	F4B-DLEZ-200-P
	50 mm	<b>127640</b>	F4B-DLEZ-50M-PCR	@	F4B-DLEZ-50M-P

@ Assembled to order

\* 20 piece minimum

FEATURES/BENEFITS PAGE B1-2	SELECTION PAGE B1-5	INTERCHANGE PAGE B1-88	ACCESSORIES PAGE B1-90
--------------------------------	------------------------	---------------------------	---------------------------



# SELECTION/DIMENSIONS



## E-Z KLEEN Mounted Bearings DLEZ NORMAL DUTY POLYMER HOUSED 4-BOLT FLANGE BEARINGS

Bearing Quick Reference

E-Z KLEEN

GRIP TIGHT Adapter Ball Bearing

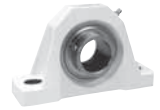
Set Screw Ball Bearing

Eccentric Collar Ball Bearing

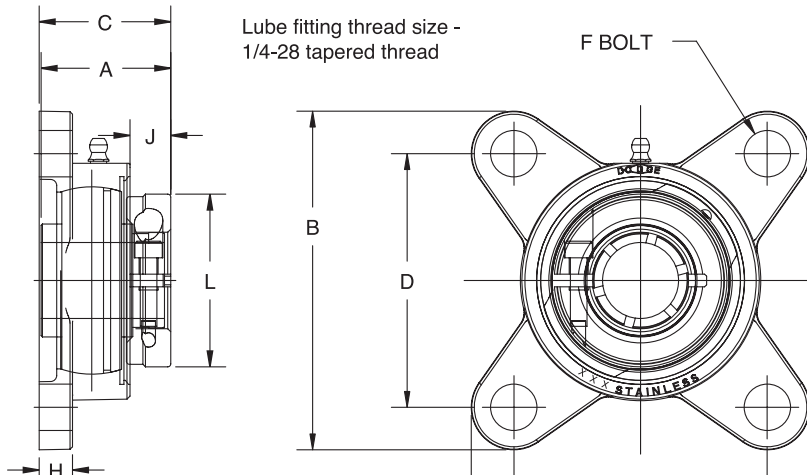
Series	Shaft Size	Weight lbs kg	A	B	C	D	F Bolt Dia.	H	J	L
204	3/4	0.50	1-9/32	3-3/8	1-29/64	2-1/2	3/8	17/32	19/64	1-45/64
	20 mm	0.30	32.5	85.9	36.8	63.5	M10	13.5	7.6	43.3
205	7/8	0.90	1-7/16	3-3/4	1-1/2	2-3/4	3/8	35/64	21/64	2
	15/16	0.80								
	1	0.70								
	25 mm	0.30	36.5	95.3	38.1	70.0	M10	13.9	8.4	50.8
206	1-1/8	1.20	1-9/16	4-1/4	1-11/16	3-1/4	3/8	39/64	27/64	2-7/32
	1-3/16	1.10								
	1-1/4	1.10								
	30 mm	0.50	39.7	108.1	42.8	82.5	M10	15.5	10.6	56.4
207	1-1/4	1.60	1-3/4	4-21/32	1-53/64	3-5/8	1/2	5/8	33/64	2-11/16
	1-3/8	1.50								
	1-7/16	1.40								
	35 mm	0.70	44.5	118.1	46.5	92.0	M12	15.9	13.2	68.3
208	1-1/2	2.00	2	5-1/8	2	4	1/2	43/64	33/64	2-47/64
	40 mm	0.90	50.8	130.0	50.9	101.5	M12	16.9	13.3	69.5
209	1-5/8	2.30	2	5-3/8	2-1/32	4-1/8	9/16	23/32	9/16	2-63/64
	1-11/16	2.20								
	1-3/4	2.10								
	45 mm	1.00	50.8	136.7	51.7	105.0	M14	18.2	14.1	75.8
210	1-15/16	2.30	2-3/32	5-5/8	2-13/64	4-3/8	5/8	49/64	19/32	3-15/64
	2	2.20								
	50 mm	1.10	53.2	142.7	56.0	111.0	M16	19.3	15.1	82.1

FEATURES/BENEFITS PAGE B1-2	SELECTION PAGE B1-5	INTERCHANGE PAGE B1-88	ACCESSORIES PAGE B1-90
--------------------------------	------------------------	---------------------------	---------------------------

# SELECTIONS/DIMENSIONS



## E-Z KLEEN Mounted Bearings DLEZ NORMAL DUTY STAINLESS STEEL 4-BOLT FLANGE BEARINGS

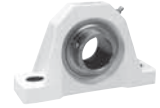


Series	Shaft Size	Part No.	Description
204	3/4	<b>127731</b>	F4B-DLEZ-012-SHCR
	20mm	<b>127751</b>	F4B-DLEZ-20M-SHCR
205	7/8	@	F4B-DLEZ-014-SHCR*
	15/16	@	F4B-DLEZ-015-SHCR*
	1	<b>127732</b>	F4B-DLEZ-100-SHCR
	25mm	<b>127752</b>	F4B-DLEZ-25M-SHCR
206	1-1/8	@	F4B-DLEZ-102-SHCR*
	1-3/16	<b>127733</b>	F4B-DLEZ-103-SHCR
	1-1/4	<b>127734</b>	F4B-DLEZ-104S-SHCR
	30mm	<b>127753</b>	F4B-DLEZ-30M-SHCR
207	1-1/4	<b>127735</b>	F4B-DLEZ-104-SHCR
	1-3/8	@	F4B-DLEZ-106-SHCR*
	1-7/16	<b>127736</b>	F4B-DLEZ-107-SHCR
208	35mm	<b>127754</b>	F4B-DLEZ-35M-SHCR
	1-1/2	<b>127737</b>	F4B-DLEZ-108-SHCR
	40mm	<b>127755</b>	F4B-DLEZ-40M-SHCR
210	1-11/16	@	F4B-DLEZM-111-SHCR*
	1-15/16	<b>127738</b>	F4B-DLEZ-115-SHCR
	50mm	<b>127756</b>	F4B-DLEZ-50M-SHCR

@ Assembled to order  
\*20 piece minimum

FEATURES/BENEFITS PAGE B1-2	SELECTION PAGE B1-5	INTERCHANGE PAGE B1-88	ACCESSORIES PAGE B1-90
--------------------------------	------------------------	---------------------------	---------------------------

# SELECTION/DIMENSIONS



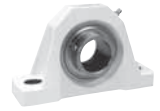
## E-Z KLEEN Mounted Bearings

### DLEZ NORMAL DUTY STAINLESS STEEL 4-BOLT FLANGE BEARINGS

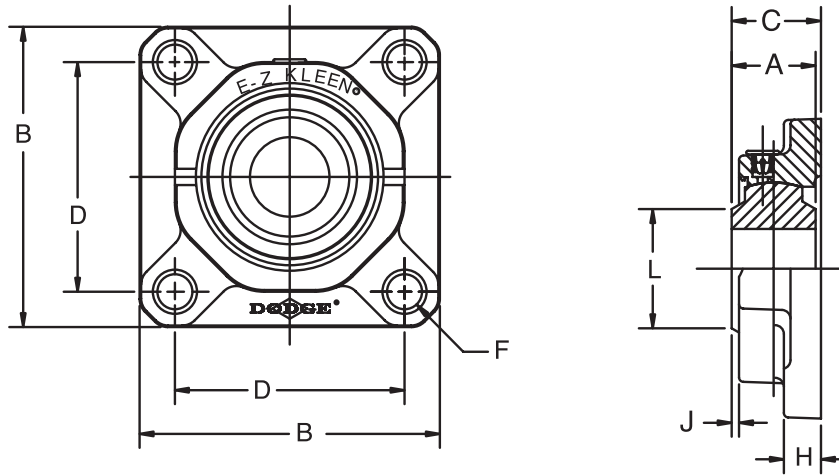
Series	Shaft Size	Weight lbs kg	A	B	C	D	F Bolt Dia.	H	J	L
204	3/4	1.23	1-9/32	3-11/32	1-19/64	2-1/2	3/8	21/64	13/32	1-45/64
	20mm	0.55	32.5	84.9	32.9	63.5	M10	8.3	10.3	43.3
205	7/8	1.69	1-7/16	3-3/4	1-25/64	2-3/4	3/8	23/64	31/64	2
	15/16	1.65								
	1	1.61								
	25mm	0.73	36.5	95.3	35.3	69.9	M10	9.1	12.3	50.8
206	1-1/8	2.41	1-9/16	4-5/32	1-19/32	3-1/8	3/8	23/64	29/64	2-7/32
	1-3/16	2.36								
	1-1/4	2.31								
	30mm	1.07	39.7	105.6	40.5	82.6	M10	9.1	11.5	56.4
207	1-1/4	3.42	1-3/4	4-11/16	1-25/32	3-5/8	1/2	27/64	9/16	2-11/16
	1-3/8	3.29								
	1-7/16	3.25								
	35mm	1.56	44.5	119.1	45.2	92.1	M12	10.7	14.3	68.3
208	1-1/2	4.21	2	5-1/16	2-1/32	4	1/2	27/64	11/16	2-47/64
	40mm	1.91	50.8	128.6	51.6	101.6	M12	10.7	17.5	69.5
210	1-11/16	5.33	2-3/32	5-43/64	2-9/64	4-3/8	5/8	31/64	25/32	3-15/64
	1-15/16	5.28								
	50mm	2.39	53.2	144.1	54.4	111.1	M16	12.3	19.8	82.2

FEATURES/BENEFITS PAGE B1-2	SELECTION PAGE B1-5	INTERCHANGE PAGE B1-88	ACCESSORIES PAGE B1-90
--------------------------------	------------------------	---------------------------	---------------------------

# SELECTIONS/DIMENSIONS



## E-Z KLEEN Mounted Bearings PSEZ POLYMER SLEEVE POLYMER HOUSED 4-BOLT FLANGE BEARINGS



Series	Shaft Size	Part No.	Description
204	3/4	<b>034716</b>	F4B-PSEZ-012-P
	20mm	<b>034759</b>	F4B-PSEZ-20M-P
205	1	<b>034717</b>	F4B-PSEZ-100-P
	25mm	<b>034760</b>	F4B-PSEZ-25M-P
206	1-3/16	<b>034718</b>	F4B-PSEZ-103-P
	1-1/4	<b>034719</b>	F4B-PSEZ-104S-P
	30mm	<b>034761</b>	F4B-PSEZ-30M-P
207	1-1/4	<b>034720</b>	F4B-PSEZ-104-P
	1-7/16	<b>034721</b>	F4B-PSEZ-107-P
	35mm	<b>034762</b>	F4B-PSEZ-35M-P
208	1-1/2	<b>034722</b>	F4B-PSEZ-108-P
	40mm	<b>034763</b>	F4B-PSEZ-40M-P
210	1-15/16	<b>034725</b>	F4B-PSEZ-115-P
	50mm	<b>034765</b>	F4B-PSEZ-50M-P

FEATURES/BENEFITS PAGE B1-2	SELECTION PAGE B1-5	INTERCHANGE PAGE B1-88	ACCESSORIES PAGE B1-90
--------------------------------	------------------------	---------------------------	---------------------------

# SELECTION/DIMENSIONS



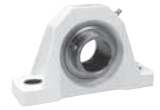
## E-Z KLEEN Mounted Bearings

### PSEZ POLYMER SLEEVE POLYMER HOUSED 4-BOLT FLANGE BEARINGS

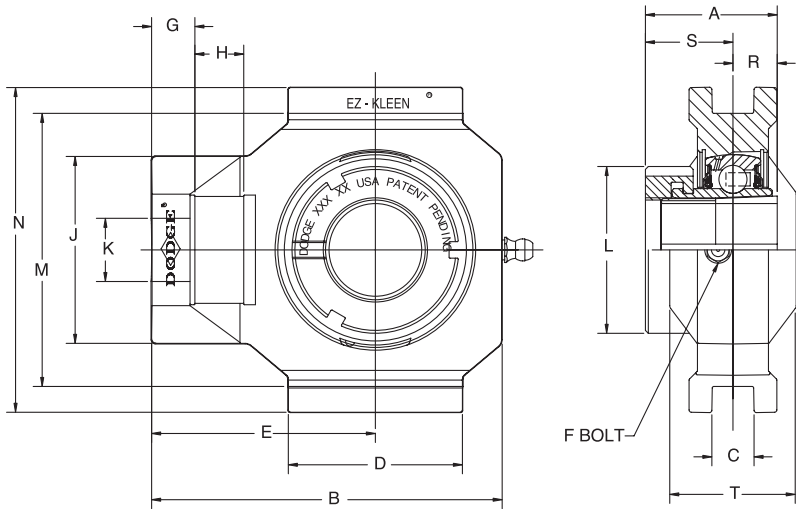
Series	Shaft Size	Weight lbs kg	A	B	C	D	F Bolt Dia	H	J	L
204	3/4	0.48	1	3-3/8	1-7/32	2-1/2	3/8	17/32	5/64	1-5/16
	20mm	0.22	25.4	85.9	31.1	63.5	M10	13.5	1.9	33.3
205	1	0.55	1-1/16	3-3/4	1-17/64	2-3/4	3/8	35/64	1/8	1-7/16
	25mm	0.25	27	95.3	32.3	70.0	M10	13.9	2.6	36.5
206	1-3/16	0.89	1-3/16	4-1/4	1-3/8	3-1/4	3/8	39/64	7/64	1-11/16
	1-1/4	0.88								
	30mm	0.40	30.2	108.0	34.9	82.5	M10	15.5	2.6	42.9
207	1-1/4	0.97	1-5/16	4-21/32	1-29/64	3-5/8	1/2	5/8	9/64	2.0
	1-7/16	0.92								
	35mm	0.44	33.3	118.1	37.0	92.0	M12	15.9	3.7	50.8
208	1-1/2	1.23	1-1/2	5-1/8	1-21/32	4.0	1/2	43/64	1/4	2.0
	40mm	0.56	38.1	130.0	42.2	101.5	M12	16.9	4.6	50.8
210	1-15/16	1.35	1-5/8	5-5/8	1-55/64	4-3/8	5/8	49/64	1/4	2-9/16
	50mm	0.61	41.3	142.7	47.3	111.0	M16	19.3	6.4	65.1

FEATURES/BENEFITS PAGE B1-2	SELECTION PAGE B1-5	INTERCHANGE PAGE B1-88	ACCESSORIES PAGE B1-90
--------------------------------	------------------------	---------------------------	---------------------------

# SELECTIONS/DIMENSIONS



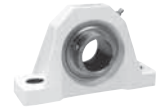
## E-Z KLEEN Mounted Bearings GTEZ NORMAL DUTY POLYMER HOUSED WIDE SLOT TAKE-UP BEARINGS



Series	Shaft Size	With Corrosion Resistant Insert		Unit without Adapter & Nut		Adapter & Nut Assembly	
		Part No.	Description	Part No.	Description	Part No.	Description
204	3/4 20 mm	<b>136315</b>	WSTU-GTEZ-012-PCR	<b>136327</b>	WSTU-GTEZ-04-PCR	<b>129967</b>	AN-GT-04-012-CR
		<b>136323</b>	WSTU-GTEZ-20M-PCR			<b>129980</b>	AN-GT-04-20M-CR
205	1 25 mm	<b>136316</b>	WSTU-GTEZ-100-PCR	<b>136328</b>	WSTU-GTEZ-05-PCR	<b>129968</b>	AN-GT-05-100-CR
		<b>136324</b>	WSTU-GTEZ-25M-PCR			<b>129981</b>	AN-GT-05-25M-CR
206	1-1/8 1-3/16 1-1/4 30 mm	<b>136317</b>	WSTU-GTEZ-102-PCR	<b>136329</b>	WSTU-GTEZ-06-PCR	<b>129969</b>	AN-GT-06-102-CR
		<b>136318</b>	WSTU-GTEZ-103-PCR			<b>129970</b>	AN-GT-06-103-CR
		<b>136319</b>	WSTU-GTEZ-104S-PCR			<b>129971</b>	AN-GT-06-104S-CR
		<b>136325</b>	WSTU-GTEZ-30M-PCR			<b>129982</b>	AN-GT-06-30M-CR
207	1-1/4 1-3/8 1-7/16 35 mm	<b>136320</b>	WSTU-GTEZ-104-PCR	<b>136330</b>	WSTU-GTEZ-07-PCR	<b>129972</b>	AN-GT-07-104-CR
		<b>136321</b>	WSTU-GTEZ-106-PCR			<b>129973</b>	AN-GT-07-106-CR
		<b>136322</b>	WSTU-GTEZ-107-PCR			<b>129974</b>	AN-GT-07-107-CR
		<b>136326</b>	WSTU-GTEZ-35M-PCR			<b>129983</b>	AN-GT-07-35M-CR

FEATURES/BENEFITS PAGE B1-2	SELECTION PAGE B1-5	INTERCHANGE PAGE B1-88	ACCESSORIES PAGE B1-90
--------------------------------	------------------------	---------------------------	---------------------------

# SELECTION/DIMENSIONS



## E-Z KLEEN Mounted Bearings GTEZ NORMAL DUTY POLYMER HOUSED WIDE SLOT TAKE-UP BEARINGS

Bearing Quick Reference

E-Z KLEEN

GRIP TIGHT Adapter Ball Bearing

Set Screw Ball Bearing

Eccentric Collar Ball Bearing

Series	Shaft Size	Weight lbs kg	Take-Up Frame No. Ref.	A	B	C**	D	E	F Thd Shaft	G
204	3/4	0.90	WS300	1-15/32	3-13/16	17/32	2	2-1/2	5/8	1/2
	20 mm	0.40		37.3	96.8	13.5	50.8	63.5	15.9	12.7
205	1	1.20	WS300	1-29/64	3-15/16	17/32	2	2-9/16	5/8	1/2
	25 mm	0.50		36.9	100.1	13.5	50.8	65.0	15.9	12.7
206	1-1/8	1.80	WS308	1-39/64	4-1/2	17/32	2-1/4	2-7/8	3/4	1/2
	1-3/16	1.70								
	1-1/4	1.60								
207	30 mm	0.80	WS308	1-5/8	4-15/16	17/32	2-1/4	3-1/8	3/4	1/2
	1-1/4	2.40								
	1-3/8	2.30								
	1-7/16	2.30								
	35 mm	1.08		41.3	125.2	13.5	57.2	79.2	19.1	12.7

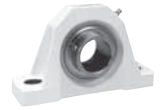
Series	Shaft Size	H	J	K	L	M**	N	R#	S#	T	
204	3/4	5/8	2-3/32	1-9/64	1-1/2	3	3-5/8	31/64	63/64	1-3/8	
	20 mm	15.9	53.3	29.0	38.1	76.2	92.1	12.3	25.0	35.1	
205	1	5/8	2-1/8	1 9/64	1-51/64	3	3-5/8	1/2	61/64	1-3/8	
	25 mm	15.9	53.8	29.0	45.6	76.2	92.1	12.8	24.2	35.1	
206	1-1/8	5/8	2-3/8	1-3/8	2-5/64	3 1/2	4-1/4	17/32	1-5/64	1-5/8	
	1-3/16										
	1-1/4										
207	30 mm	15.9	2-27/64	1-3/8	2-3/8	3 1/2	4-1/4	9/16	1-1/16	1-5/8	
	1-1/4	5/8									
	1-3/8										
	1-7/16										
	35 mm	15.9		61.5	34.8	60.3	88.9	108.0	14.3	27.0	41.1

# R & S dimension will vary slightly depending on true shaft diameter

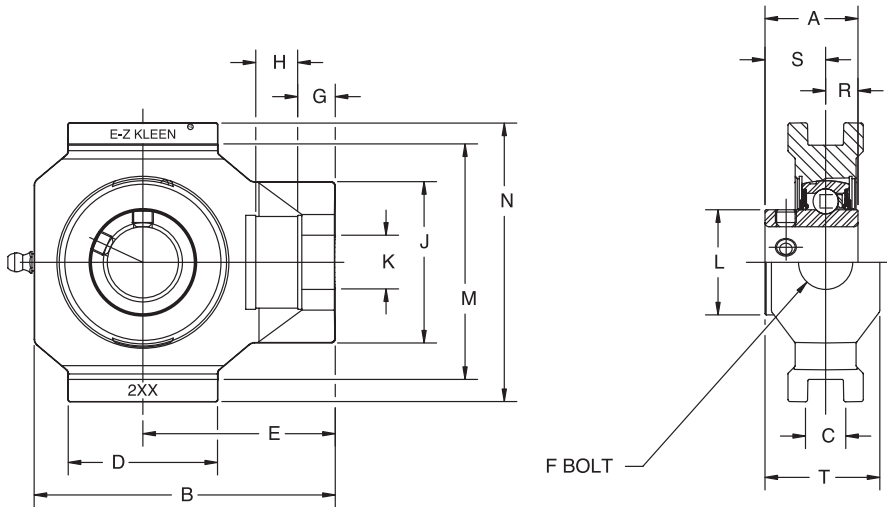
\*\* + or - .020

FEATURES/BENEFITS PAGE B1-2	SELECTION PAGE B1-5	INTERCHANGE PAGE B1-88	ACCESSORIES PAGE B1-90
--------------------------------	------------------------	---------------------------	---------------------------

# SELECTIONS/DIMENSIONS



## E-Z KLEEN Mounted Bearings SCEZ NORMAL DUTY POLYMER HOUSED WIDE SLOT TAKE-UP BEARINGS



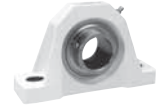
Series	Shaft Size	With Corrosion Resistant Insert		Standard Insert With Flingers	
		Part No.	Description	Part No.	Description
204	1/2	@	WSTU-SCEZ-008L-PCR*	@	WSTU-SCEZ-008L-P
	5/8	@	WSTU-SCEZ-010L-PCR*	@	WSTU-SCEZ-010L-P
	3/4	<b>127539</b>	WSTU-SCEZ-012-PCR	@	WSTU-SCEZ-012-P
	20 mm	<b>127574</b>	WSTU-SCEZ-20M-PCR	@	WSTU-SCEZ-20M-P
205	7/8	@	WSTU-SCEZ-014-PCR*	@	WSTU-SCEZ-014-P
	15/16	@	WSTU-SCEZ-015-PCR*	@	WSTU-SCEZ-015-P
	1	<b>127540</b>	WSTU-SCEZ-100-PCR	<b>058940</b>	WSTU-SCEZ-100-P
	25 mm	<b>127575</b>	WSTU-SCEZ-25M-PCR	@	WSTU-SCEZ-25M-P
206	1-1/8	@	WSTU-SCEZ-102-PCR*	@	WSTU-SCEZ-102-P
	1-3/16	<b>127541</b>	WSTU-SCEZ-103-PCR	@	WSTU-SCEZ-103-P
	1-1/4	<b>127542</b>	WSTU-SCEZ-104S-PCR	@	WSTU-SCEZ-104S-P
	30 mm	<b>127576</b>	WSTU-SCEZ-30M-PCR	@	WSTU-SCEZ-30M-P
207	1-1/4	<b>127543</b>	WSTU-SCEZ-104-PCR	@	WSTU-SCEZ-104-P
	1-5/16	@	WSTU-SCEZ-105-PCR*	@	WSTU-SCEZ-105-P
	1-3/8	@	WSTU-SCEZ-106-PCR*	@	WSTU-SCEZ-106-P
	1-7/16	<b>127544</b>	WSTU-SCEZ-107-PCR	@	WSTU-SCEZ-107-P
35 mm	<b>127577</b>	WSTU-SCEZ-35M-PCR	@	WSTU-SCEZ-35M-P	

@ Assembled to order  
\* 20 piece minimum

FEATURES/BENEFITS PAGE B1-2	SELECTION PAGE B1-5	INTERCHANGE PAGE B1-88	ACCESSORIES PAGE B1-90
--------------------------------	------------------------	---------------------------	---------------------------



# SELECTION/DIMENSIONS



## E-Z KLEEN Mounted Bearings SCEZ NORMAL DUTY POLYMER HOUSED WIDE SLOT TAKE-UP BEARINGS

Series	Shaft Size	Weight lbs kg	Take-Up Frame No. Ref.	A	B	C**	D	E	F Thd Shaft	G
204	1/2	0.86	WS300	1-5/32	3-13/16	17/32	2	2-1/2	5/8	1/2
	5/8	0.76		29.4	96.8	13.5	50.8	63.5	15.9	12.7
	3/4	0.66								
	20 mm	0.31								
205	7/8	0.92	WS300	1-3/16	3-15/16	17/32	2	2-9/16	5/8	1/2
	15/16	0.82		30.2	100.0	13.5	50.8	65.1	15.9	12.7
	1	0.72								
	25 mm	0.34								
206	1-1/8	1.11	WS308	1-25/64	4-1/2	17/32	2-1/4	2-7/8	3/4	1/2
	1-3/16	1.09		35.3	114.3	13.5	57.2	73.0	19.1	12.7
	1-1/4	1.07								
	30 mm	0.49								
207	1-1/4	1.58	WS308	1-17/32	4-15/16	17/32	2-1/4	3-1/8	3/4	1/2
	1-5/16	1.52		38.9	125.4	13.5	57.2	79.4	19.1	12.7
	1-3/8	1.47								
	1-7/16	1.42								
	35 mm	0.69								

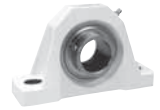
Series	Shaft Size	H	J	K	L	M**	N	R	S	T
204	1/2	5/8	2-3/32	1-9/64	1-1/8	3	3-5/8	27/64	47/64	1 3/8
	5/8	15.9	53.2	29.0	28.6	76.2	92.1	10.7	18.7	35.1
	3/4									
	20 mm									
205	7/8	5/8	2-1/8	1-9/64	1-21/64	3	3-5/8	27/64	49/64	1 3/8
	15/16	15.9	54.0	29.0	33.7	76.2	92.1	10.7	19.4	35.1
	1									
	25 mm									
206	1-1/8	5/8	2-3/8	1-3/8	1-37/64	3-1/2	4-1/4	31/64	29/32	1 5/8
	1-3/16	15.9	60.3	34.9	40.1	88.9	108.0	12.3	23.0	41.1
	1-1/4									
	30 mm									
207	1-1/4	5/8	2-27/64	1-3/8	1-27/32	3-1/2	4-1/4	32/64	1 1/32	1 5/8
	1-5/16	15.9	61.5	34.9	46.8	88.9	108.0	12.7	26.2	41.1
	1-3/8									
	1-7/16									
	35 mm									

\*\* + or - .020"

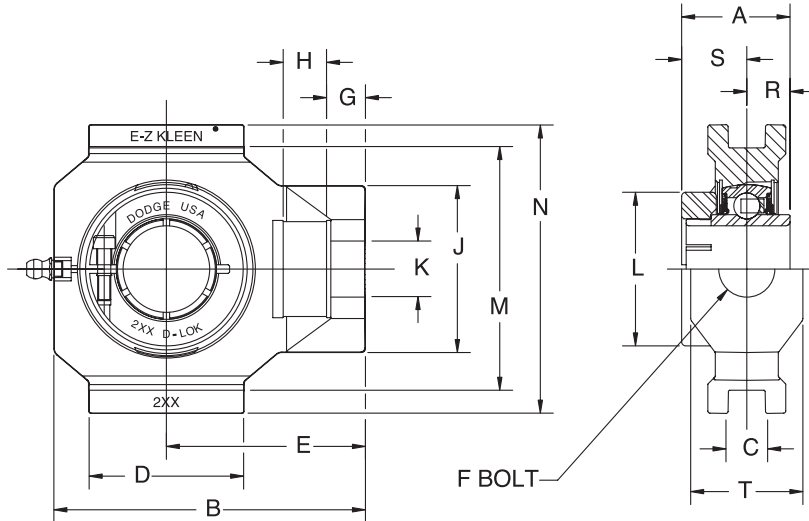
+ or - .50 mm

FEATURES/BENEFITS PAGE B1-2	SELECTION PAGE B1-5	INTERCHANGE PAGE B1-88	ACCESSORIES PAGE B1-90
--------------------------------	------------------------	---------------------------	---------------------------

# SELECTIONS/DIMENSIONS



## E-Z KLEEN Mounted Bearings DLEZ NORMAL DUTY POLYMER HOUSED WIDE SLOT TAKE-UP BEARINGS

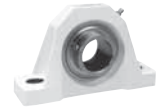


Series	Shaft Size	With Corrosion Resistant Insert		Standard Insert With Flingers	
		Part No.	Description	Part No.	Description
204	3/4	<b>127617</b>	WSTU-DLEZ-012-PCR	@	WSTU-DLEZ-012-P
	20 mm	<b>127652</b>	WSTU-DLEZ-20M-PCR	@	WSTU-DLEZ-20M-P
205	7/8	@	WSTU-DLEZ-014-PCR*	@	WSTU-DLEZ-014-P
	15/16	@	WSTU-DLEZ-015-PCR*	@	WSTU-DLEZ-015-P
	1	<b>127618</b>	WSTU-DLEZ-100-PCR	@	WSTU-DLEZ-100-P
	25 mm	<b>127653</b>	WSTU-DLEZ-25M-PCR	@	WSTU-DLEZ-25M-P
206	1-1/8	@	WSTU-DLEZ-102-PCR*	@	WSTU-DLEZ-102-P
	1-3/16	<b>127619</b>	WSTU-DLEZ-103-PCR	@	WSTU-DLEZ-103-P
	1-1/4	<b>127620</b>	WSTU-DLEZ-104S-PCR	@	WSTU-DLEZ-104S-P
	30 mm	<b>127654</b>	WSTU-DLEZ-30M-PCR	@	WSTU-DLEZ-30M-P
207	1-1/4	<b>127621</b>	WSTU-DLEZ-104-PCR	@	WSTU-DLEZ-104-P
	1-3/8	@	WSTU-DLEZ-106-PCR*	@	WSTU-DLEZ-106-P
	1-7/16	<b>127622</b>	WSTU-DLEZ-107-PCR	@	WSTU-DLEZ-107-P
	35 mm	<b>127655</b>	WSTU-DLEZ-35M-PCR	@	WSTU-DLEZ-35M-P

@ Assembled to order  
\* 20 piece minimum order

FEATURES/BENEFITS PAGE B1-2	SELECTION PAGE B1-5	INTERCHANGE PAGE B1-88	ACCESSORIES PAGE B1-90
--------------------------------	------------------------	---------------------------	---------------------------

# SELECTION/DIMENSIONS



## E-Z KLEEN Mounted Bearings DLEZ NORMAL DUTY POLYMER HOUSED WIDE SLOT TAKE-UP BEARINGS

Series	Shaft Size	Weight lbs kg	Take-Up Frame No. Ref.	A	B	C**	D	E	F Thd Shaft	G
204	1/2	0.86	WS300	1-5/32	3-13/16	17/32	2	2-1/2	5/8	1/2
	5/8	0.76		29.4	96.8	13.5	50.8	63.5	15.9	12.7
	3/4	0.66								
	20 mm	0.31								
205	7/8	0.92	WS300	1-3/16	3-15/16	17/32	2	2-9/16	5/8	1/2
	15/16	0.82		30.2	100.0	13.5	50.8	65.1	15.9	12.7
	1	0.72								
	25 mm	0.34								
206	1-1/8	1.11	WS308	1-25/64	4-1/2	17/32	2-1/4	2-7/8	3/4	1/2
	1-3/16	1.09		35.3	114.3	13.5	57.2	73.0	19.1	12.7
	1-1/4	1.07								
	30 mm	0.49								
207	1-1/4	1.58	WS308	1-17/32	4-15/16	17/32	2-1/4	3-1/8	3/4	1/2
	1-5/16	1.52		38.9	125.4	13.5	57.2	79.4	19.1	12.7
	1-3/8	1.47								
	1-7/16	1.42								
	35 mm	0.69								

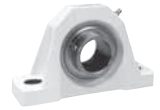
Series	Shaft Size	H	J	K	L	M**	N	R	S	T
204	1/2	5/8	2-3/32	1-9/64	1-1/8	3	3-5/8	27/64	47/64	1 3/8
	5/8									
	3/4									
	20 mm	15.9	53.2	29.0	28.6	76.2	92.1	10.7	18.7	35.1
205	7/8	5/8	2-1/8	1-9/64	1-21/64	3	3-5/8	27/64	49/64	1 3/8
	15/16									
	1									
	25 mm	15.9	54.0	29.0	33.7	76.2	92.1	10.7	19.4	35.1
206	1-1/8	5/8	2-3/8	1-3/8	1-37/64	3-1/2	4-1/4	31/64	29/32	1 5/8
	1-3/16									
	1-1/4									
	30 mm	15.9	60.3	34.9	40.1	88.9	108.0	12.3	23.0	41.1
207	1-1/4	5/8	2-27/64	1-3/8	1-27/32	3-1/2	4-1/4	32/64	1 1/32	1 5/8
	1-5/16									
	1-3/8									
	1-7/16									
	35 mm	15.9	61.5	34.9	46.8	88.9	108.0	12.7	26.2	41.1

\*\* + or - .020"

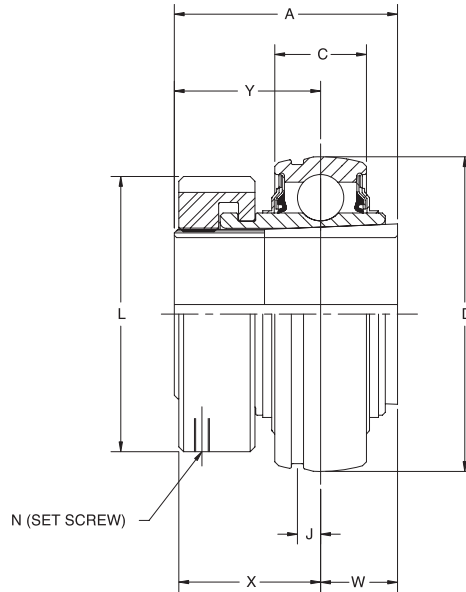
+ or - .50 mm

FEATURES/BENEFITS PAGE B1-2	SELECTION PAGE B1-5	INTERCHANGE PAGE B1-88	ACCESSORIES PAGE B1-90
--------------------------------	------------------------	---------------------------	---------------------------

# SELECTIONS/DIMENSIONS



## E-Z KLEEN Mounted Bearings GT NORMAL DUTY BEARING INSERTS FOR E-Z KLEEN BEARINGS



Series	Shaft Size	Complete Unit		Unit Without Adapter		Adapter & Nut Assembly	
		Part No.	Description	Part No.	Description	Part No.	Description
204	3/4 20mm	<b>129825</b>	INS-GT-012-CR	<b>129579</b>	INS-GT-04-CR	<b>129967</b>	AN-GT-04-012-CR
		<b>129826</b>	INS-GT-20M-CR			<b>129980</b>	AN-GT-04-20M-CR
205	1 25mm	<b>129827</b>	INS-GT-100-CR	<b>129580</b>	INS-GT-05-CR	<b>129968</b>	AN-GT-05-100-CR
		<b>129828</b>	INS-GT-25M-CR			<b>129981</b>	AN-GT-05-25M-CR
206	1-1/8 1-3/16 1-1/4 30mm	@	INS-GT-102-CR	<b>129581</b>	INS-GT-06-CR	<b>129969</b>	AN-GT-06-102-CR
		<b>129829</b>	INS-GT-103-CR			<b>129970</b>	AN-GT-06-103-CR
		<b>129830</b>	INS-GT-104S-CR			<b>129971</b>	AN-GT-06-104S-CR
		<b>129831</b>	INS-GT-30M-CR			<b>129982</b>	AN-GT-06-30M-CR
207	1-1/4 1-3/8 1-7/16 35mm	<b>129832</b>	INS-GT-104-CR	<b>129582</b>	INS-GT-07-CR	<b>129972</b>	AN-GT-07-104-CR
		@	INS-GT-106-CR			<b>129973</b>	AN-GT-07-106-CR
		<b>129833</b>	INS-GT-107-CR			<b>129974</b>	AN-GT-07-107-CR
		<b>129834</b>	INS-GT-35M-CR			<b>129983</b>	AN-GT-07-35M-CR
208	1-1/2 40mm	<b>129835</b>	INS-GT-108-CR	<b>129583</b>	INS-GT-08-CR	<b>129975</b>	AN-GT-08-108-CR
		<b>129836</b>	INS-GT-40M-CR			<b>129984</b>	AN-GT-08-40M-CR
209	1-11/16 1-3/4 45mm	<b>129837</b>	INS-GT-111-CR	<b>129584</b>	INS-GT-09-CR	<b>129976</b>	AN-GT-09-111-CR
		@	INS-GT-112-CR			<b>129977</b>	AN-GT-09-112-CR
		<b>129838</b>	INS-GT-45M-CR			<b>129985</b>	AN-GT-09-45M-CR
210	1-15/16 2 50mm	<b>129839</b>	INS-GT-115-CR	<b>129585</b>	INS-GT-10-CR	<b>129978</b>	AN-GT-10-115-CR
		@	INS-GT-200-CR			<b>129979</b>	AN-GT-10-200-CR
		<b>129840</b>	INS-GT-50M-CR			<b>129986</b>	AN-GT-10-50M-CR

@ Assembled to order.

FEATURES/BENEFITS PAGE B1-2	SELECTION PAGE B1-5	INTERCHANGE PAGE B1-88	ACCESSORIES PAGE B1-90
--------------------------------	------------------------	---------------------------	---------------------------

# SELECTION/DIMENSIONS



## E-Z KLEEN Mounted Bearings

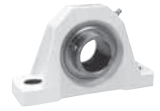
### GT NORMAL DUTY BEARING INSERTS FOR E-Z KLEEN BEARINGS

Series	Shaft Size	Weight lbs kg	A	C	D	J	L	N Screw (UNF)	W#	X	Y#
204	3/4	0.6	1-15/32	0.5906	1.8504	0.152	1-1/2	#10-32 x 1/4	31/64	1-3/64	63/64
	20mm	0.3	37.3	15.0	47.0	3.9	38.1		12.3	26.7	25.0
205	7/8	0.8	1-29/64	0.5906	2.0472	0.152	1-51/64	#10-32 x 1/4	1/2	1-1/64	61/64
	15/16 1 25mm	0.4	36.9	15.0	52.0	3.9	45.6		12.8	25.9	24.2
206	1-1/8	1.2	1-39/64	0.7087	2.4409	0.190	2-5/64	#10-32 x 1/4	17/32	1-1/8	1-5/64
	1-3/16 1-1/4 30mm	0.6	40.9	18.0	62.0	4.8	52.8		13.5	28.7	27.4
207	1-1/4	1.8	1-5/8	0.7480	2.8346	0.202	2-3/8	#10-32 x 1/4	9/16	1-9/64	1-1/16
	1-3/8 1-7/16 35mm	0.8	41.3	19.0	72.0	5.1	60.3		14.3	29.1	27.0
208	1-1/2	2.2	1-27/32	0.8661	3.1496	0.224	2-5/8	#10-32 x 1/4	21/32	1-15/64	1-3/16
	40mm	1.0	46.8	22.0	80.0	5.7	66.7		16.7	31.5	30.2
209	1-5/8	2.5	1-55/64	0.8661	3.3465	0.248	2-55/64	#10-32 x 1/4	21/32	1-9/32	1-3/16
	1-11/16 1-3/4 45mm	1.2	47.2	22.0	85.0	6.3	72.6		16.7	32.6	30.2
210	1-15/16	3.0	1-55/64	0.8661	3.5433	0.248	3-1/8	#10-32 x 1/4		1-9/32	
	21/32 2 50mm	1.4	1-13/64	22.0	90.0	6.3	79.4		16.7	32.6	30.6

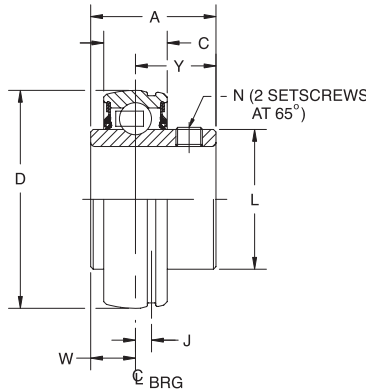
#W & Y dimensions will vary slightly depending on true shaft diameter.

FEATURES/BENEFITS PAGE B1-2	SELECTION PAGE B1-5	INTERCHANGE PAGE B1-88	ACCESSORIES PAGE B1-90
--------------------------------	------------------------	---------------------------	---------------------------

# SELECTIONS/DIMENSIONS



## E-Z KLEEN Mounted Bearings SC NORMAL DUTY BEARING CORROSION RESISTANT INSERTS FOR E-Z KLEEN BEARINGS



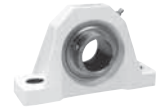
Series	Shaft Size	Insert with Flingers		Corrosion Resistant Insert	
		Part No.	Description	Part No.	Description
204	1/2	@	INS-SC-008L-FF	052981	INS-SC-008L-CR*
	5/8	124932	INS-SC-010L-FF	127073	INS-SC-010L-CR*
	3/4	123070	INS-SC-012-FF	045600	INS-SC-012-CR
	20mm	050524	INS-SC-20M-FF	125873	INS-SC-20M-CR
205	7/8	124931	INS-SC-014-FF	058665	INS-SC-014-CR*
	15/16	123069	INS-SC-015-FF	@	INS-SC-015-CR*
	1	123071	INS-SC-100-FF	045601	INS-SC-100-CR
	25mm	052620	INS-SC-25M-FF	050580	INS-SC-25M-CR
206	1-1/8	123234	INS-SC-102-FF	058989	INS-SC-102-CR*
	1-3/16	123072	INS-SC-103-FF	045602	INS-SC-103-CR
	1-1/4	123073	INS-SC-104S-FF	045603	INS-SC-104S-CR
	30mm	052621	INS-SC-30M-FF	125874	INS-SC-30M-CR
207	1-1/4	123074	INS-SC-104-FF	045412	INS-SC-104-CR
	1-5/16	057102	INS-SC-105-FF	058345	INS-SC-105-CR*
	1-3/8	123460	INS-SC-106-FF	058965	INS-SC-106-CR*
	35mm	123075	INS-SC-107-FF	045604	INS-SC-107-CR
208	40mm	052622	INS-SC-35M-FF	050653	INS-SC-35M-CR
	1-1/2	123076	INS-SC-108-FF	045605	INS-SC-108-CR
	1-5/8	123409	INS-SC-110-FF	@	INS-SC-110-CR*
	40mm	052623	INS-SC-40M-FF	050654	INS-SC-40M-CR
209	1-5/8	@	INS-SC-110L-FF	@	INS-SC-110L-CR*
	1-11/16	@	INS-SC-111-FF	125004	INS-SC-111-CR
	1-3/4	045677	INS-SC-112-FF	054145	INS-SC-112-CR*
	45mm	@	INS-SC-45M-FF	125005	INS-SC-45M-CR
210	1-11/16	@	INS-SCM-111-FF	@	INS-SCM-111-CR*
	1-15/16	123077	INS-SC-115-FF	045606	INS-SC-115-CR
	2	123413	INS-SC-200-FF	045338	INS-SC-200-CR*
	50mm	@	INS-SC-50M-FF	050656	INS-SC-50M-CR

@ Assembled to order

\* 20 piece minimum

FEATURES/BENEFITS PAGE B1-2	SELECTION PAGE B1-5	INTERCHANGE PAGE B1-88	ACCESSORIES PAGE B1-90
--------------------------------	------------------------	---------------------------	---------------------------

# SELECTION/DIMENSIONS

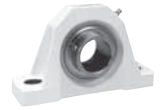


## E-Z KLEEN Mounted Bearings SC NORMAL DUTY BEARING CORROSION RESISTANT INSERTS FOR E-Z KLEEN BEARINGS

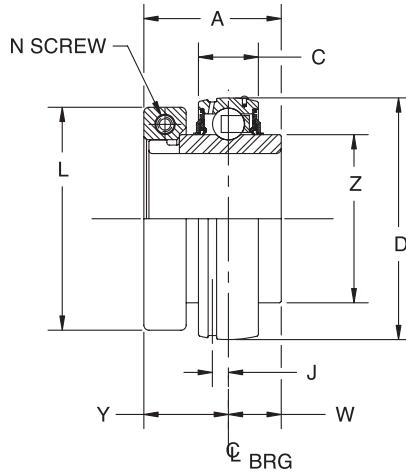
Series	Shaft Size	Weight lbs kg	A	C	D	J	L	N	W	Y
204	1/2	.38	1-5/32	.5906	1.8504	.152	1-1/8	10-32	27/64	47/64
	5/8	.35								
	3/4	.32								
	20mm	.16	29.4	15.0	47.0	3.9	28.6	M6 x 1	10.7	18.7
205	7/8	.43	1-3/16	.5906	2.0472	.152	1-21/64	1/4-28	27/64	49/64
	15/16	.40								
	1	.37								
	25mm	.18	30.2	15.0	52.0	3.9	33.7	M6 x 1	10.7	19.4
206	1-1/8	.63	1-25/64	.7087	2.4409	.190	1-37/64	5/16-24	31/64	29/32
	1-3/16	.60								
	1-1/4	.58								
	30mm	.27	35.3	18.0	62.0	4.8	40.1	M8 x 1.25	12.3	23.0
207	1-1/4	1.02	1-17/32	.7480	2.8346	.202	1-27/32	5/16-24	1/2	1-1/32
	1-5/16	.97								
	1-3/8	.92								
	35mm	.44	38.9	19.0	72.0	5.1	46.8	M8 x 1.25	12.7	26.2
208	1-1/2	1.27	1-11/16	.8661	3.1496	.224	2-3/64	5/16-24	19/32	1-3/32
	1-5/8	1.13								
	40mm	.51	42.9	22.0	80.0	5.7	52.0	M8 x 1.25	15.1	27.8
209	1-5/8	1.49	1-23/32	.8661	3.3465	.248	2-7/32	5/16-24	19/32	1-1/8
	1-11/16	1.43								
	1-3/4	1.36								
	45mm	.62	43.7	22.0	85.0	6.3	56.4	M8 x 1.25	15.1	28.6
210	1-11/16	1.82	1-3/4	.8661	3.5433	.248	2-7/16	3/8-24	19/32	1-5/32
	1-15/16	1.48								
	2	1.39								
	50mm	.67	44.5	22.0	90.0	6.3	61.9	M10 x 1.5	15.1	29.4

FEATURES/BENEFITS PAGE B1-2	SELECTION PAGE B1-5	INTERCHANGE PAGE B1-88	ACCESSORIES PAGE B1-90
--------------------------------	------------------------	---------------------------	---------------------------

# SELECTIONS/DIMENSIONS



## E-Z KLEEN Mounted Bearings DL NORMAL DUTY BEARING CORROSION RESISTANT INSERTS FOR E-Z KLEEN BEARINGS



Series	Shaft Size	Insert with Flingers		Corrosion Resistant Insert	
		Part No.	Description	Part No.	Description
204	3/4	<b>128646</b>	INS-DL-012	<b>126685</b>	INS-DL-012-CR
	20mm	<b>126629</b>	INS-DL-20M	<b>126693</b>	INS-DL-20M-CR
205	7/8	<b>128684</b>	INS-DL-014	@	INS-DL-014-CR*
	15/16	<b>128647</b>	INS-DL-015	@	INS-DL-015-CR*
	1	<b>128648</b>	INS-DL-100	<b>126686</b>	INS-DL-100-CR
	25mm	<b>126630</b>	INS-DL-25M	<b>126694</b>	INS-DL-25M-CR
206	1-1/8	<b>128649</b>	INS-DL-102	<b>059869</b>	INS-DL-102-CR*
	1-3/16	<b>128650</b>	INS-DL-103	<b>126687</b>	INS-DL-103-CR
	1-1/4	<b>128651</b>	INS-DL-104S	<b>126688</b>	INS-DL-104S-CR
	30mm	<b>126631</b>	INS-DL-30M	<b>126695</b>	INS-DL-30M-CR
207	1-1/4	<b>128652</b>	INS-DL-104	<b>126689</b>	INS-DL-104-CR
	1-3/8	<b>128653</b>	INS-DL-106	@	INS-DL-106-CR*
	1-7/16	<b>128654</b>	INS-DL-107	<b>052093</b>	INS-DL-107-CR
	35mm	<b>126632</b>	INS-DL-35M	<b>126696</b>	INS-DL-35M-CR
208	1-1/2	<b>128655</b>	INS-DL-108	<b>126690</b>	INS-DL-108-CR
	40mm	<b>126633</b>	INS-DL-40M	<b>126697</b>	INS-DL-40M-CR
209	1-5/8	<b>128656</b>	INS-DL-110L	@	INS-DL-110L-CR*
	1-11/16	<b>128657</b>	INS-DL-111	<b>126691</b>	INS-DL-111-CR
	1-3/4	<b>128658</b>	INS-DL-112	@	INS-DL-112-CR*
210	45mm	<b>126634</b>	INS-DL-45M	<b>126698</b>	INS-DL-45M-CR
	1-11/16	<b>128672</b>	INS-DLM-111	@	INS-DLM-111-CR
	1-15/16	<b>128659</b>	INS-DL-115	<b>126692</b>	INS-DL-115-CR
	2	<b>128660</b>	INS-DL-200	<b>053986</b>	INS-DL-200-CR*
50mm	<b>126635</b>	INS-DL-50M	<b>126699</b>	INS-DL-50M-CR	

@ Assembled to order

\* 20 piece minimum

FEATURES/BENEFITS PAGE B1-2	SELECTION PAGE B1-5	INTERCHANGE PAGE B1-88	ACCESSORIES PAGE B1-90
--------------------------------	------------------------	---------------------------	---------------------------



# SELECTION/DIMENSIONS



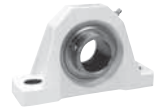
## E-Z KLEEN Mounted Bearings

### DL NORMAL DUTY BEARING CORROSION RESISTANT INSERTS FOR E-Z KLEEN BEARINGS

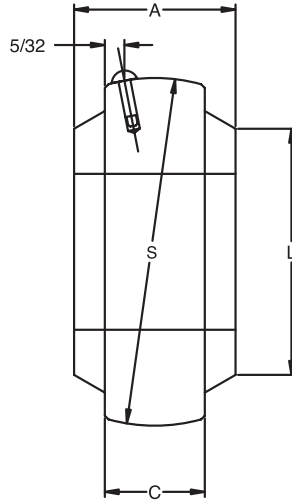
Series	Shaft Size	Weight lbs kg	A	C	D	J	L	N	W	Y	Z
204	3/4	0.6	1-9/32	0.5906	1.8504	0.152	1-45/64	No. 8	1/2	25/32	1-1/8
	20mm	0.3	32.5	15.0	47.0	3.9	43.3	M4	12.7	19.8	28.6
205	7/8	0.8	1-7/16	0.5906	2.0472	0.152	2	No. 10	9/16	7/8	1-21/64
	15/16	0.8									
	1	0.8									
	25mm	0.4	36.5	15.0	52.0	3.9	50.8	M5	14.3	22.2	33.7
206	1-1/8	1.2	1-9/16	0.7087	2.4409	0.190	2-7/32	No. 10	5/8	15/16	1-37/64
	1-3/16	1.2									
	1-1/4	1.1									
	30mm	0.6	39.7	18.0	62.0	4.8	56.4	M5	15.9	23.8	40.1
207	1-1/4	1.8	1-3/4	0.7480	2.8346	0.202	2-11/16	1/4	11/16	1-1/16	1-27/32
	1-3/8	1.8									
	1-7/16	1.7									
	35mm	0.8	44.5	19.0	72.0	5.1	68.3	M6	17.5	27.0	46.8
208	1-1/2	2.2	2	0.8661	3.1496	0.224	2-47/64	1/4	3/4	1-1/4	2-3/64
	40mm	1.0	50.8	22.0	80.0	5.7	69.5	M6	19.1	31.8	52.0
209	1-5/8	2.5	2	0.8661	3.3465	0.248	2-63/64	1/4	3/4	1-1/4	2-7/32
	1-11/16	2.5									
	1-3/4	2.5									
	45mm	1.2	50.8	22.2	85.8	6.4	75.8	M6	19.1	31.8	56.9
210	1-11/16	3.0	2-3/32	0.8661	3.5433	0.248	3-15/64	1/4	3/4	1-11/32	2-7/16
	1-15/16	3.0									
	2	3.0									
	50mm	1.4	53.2	22.0	90.0	6.3	82.1	M6	19.1	34.1	61.9

FEATURES/BENEFITS PAGE B1-2	SELECTION PAGE B1-5	INTERCHANGE PAGE B1-88	ACCESSORIES PAGE B1-90
--------------------------------	------------------------	---------------------------	---------------------------

# SELECTIONS/DIMENSIONS



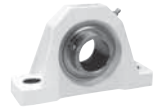
## E-Z KLEEN Mounted Bearings PSEZ POLYMER SLEEVE BEARING INSERTS



Series	Shaft Size	Part No.	Description
204	3/4	<b>032867</b>	INS-PS-012
	20mm	<b>032868</b>	INS-PS-20M
205	1	<b>032872</b>	INS-PS-100
	25mm	<b>032871</b>	INS-PS-25M
206	1-3/16	<b>032875</b>	INS-PS-103
	1-1/4	<b>032876</b>	INS-PS-104S
	30mm	<b>032874</b>	INS-PS-30M
207	1-1/4	<b>032877</b>	INS-PS-104
	1-7/16	<b>032879</b>	INS-PS-107
	35mm	<b>032878</b>	INS-PS-35M
208	1-1/2	<b>032881</b>	INS-PS-108
	40mm	<b>032882</b>	INS-PS-40M
210	1-15/16	<b>032886</b>	INS-PS-115
	50mm	<b>032887</b>	INS-PS-50M

FEATURES/BENEFITS PAGE B1-2	SELECTION PAGE B1-5	INTERCHANGE PAGE B1-88	ACCESSORIES PAGE B1-90
--------------------------------	------------------------	---------------------------	---------------------------

# SELECTION/DIMENSIONS



## E-Z KLEEN Mounted Bearings PSEZ POLYMER SLEEVE BEARING INSERTS

Bearing Quick Reference

E-Z KLEEN

GRIP TIGHT Adapter Ball Bearing

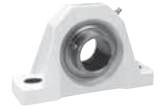
Set Screw Ball Bearing

Eccentric Collar Ball Bearing

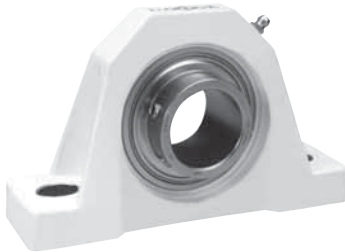
Series	Shaft Size	Weight lbs kg	A	C	L	S
204	3/4 20mm	0.25 0.14	1 25.4	11/16 17.5	1-5/16 33.3	1.8465/1.8395 46.9011/46.7233
205	1 25mm	0.25 0.15	1-1/16 27	11/16 17.5	1-7/16 36.5	2.0435/2.0365 51.9049/51.7271
206	1-3/16 1-1/4 30mm	0.36 0.35 0.16	1-3/16 30.2	13/16 20.6	1-11/16 42.9	2.437/2.428 61.8988/61.6712
207	1-1/4 1-7/16 35mm	0.40 0.35 0.18	1-5/16 33.3	13/16 20.6	2 50.8	2.829/2.820 71.8566/71.6280
208	1-1/2 40mm	0.46 0.21	1-1/2 38.1	7/8 22.2	2 50.8	3.144/3.135 79.8576/79.6790
210	1-15/16 50mm	0.50 0.23	1-5/8 41.3	15/16 23.8	2-9/16 65.1	3.5375/3.5275 89.8525/89.5985

FEATURES/BENEFITS PAGE B1-2	SELECTION PAGE B1-5	INTERCHANGE PAGE B1-88	ACCESSORIES PAGE B1-90
--------------------------------	------------------------	---------------------------	---------------------------

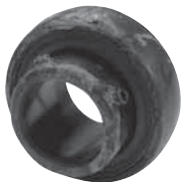
# INTERCHANGE



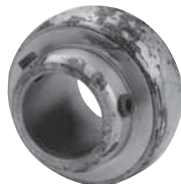
## E-Z KLEEN Competitive Comparison



Manufacturer	Brand Name	Housing Material	Insert Material	Example 1" Pillow Block Description	Pillow Block
Dodge	E-Z KLEEN	Polymer/Composite	Nickel teflon CR Setscrew	<b>P2B-SCEZ-100-PCR</b>	P2B
	E-Z KLEEN	300 Series Stainless Steel	Nickel teflon CR Setscrew	<b>P2B-SCEZ-100-SHCR</b>	P2B
	E-Z KLEEN	Polymer/Composite	Nickel teflon CR D-Lok	<b>P2B-DLEZ-100-PCR</b>	P2B
	E-Z KLEEN	300 Series Stainless Steel	Nickel teflon CR D-Lok	<b>P2B-DLEZ-100-SHCR</b>	P2B
AMI	Corrosion Protection	Polymer/Composite	Zinc	<b>UCPPL205-16MZZ</b>	UCPPL
	Corrosion Protection	Polymer/Composite	400 Series Stainless	<b>MUCPPL205-16</b>	MUCPPL
	Corrosion Protection	300 Series Stainless Steel	400 Series Stainless	<b>MUCP-16</b>	MUCP
Browning	CRES CZ	Polymer/Composite	Zinc Plated	<b>CPS-Z216</b>	CPS
	CRES CS	Polymer/Composite	400 Series Stainless	<b>CPS-S216</b>	CPS-S
	CRES SS	300 Series Stainless Steel	400 Series Stainless	<b>SPS-S216</b>	SPS-S
Fafnir	Survivor	Polymer/Composite	TDC	<b>YAS1PT</b>	YAS
IPTCI	Corrosion Resistant	Polymer/Composite	Black Oxide	<b>BUCTP 205-16</b>	BUCTP
	Corrosion Resistant	Polymer/Composite	400 Series Stainless	<b>SUCTP 205-16</b>	SUCTP
	Corrosion Resistant	300 Series Stainless Steel	400 Series Stainless	<b>SUCSP 205-16</b>	SUCSP
Linkbelt	Klean-Gard	Polymer/Composite	Black Oxide	<b>KP-S216</b>	KP-S
	Klean-Gard	Polymer/Composite	400 Series Stainless	<b>KPS-S216</b>	KPS-S
MRC	Z-MaRC	Polymer/Composite	Zinc	<b>CPB100ZM</b>	CPB
	Marathon	Polymer/Composite	400 Series Stainless	<b>CPB100SS</b>	CPB
Sealmaster	PN Gold	Polymer/Composite	Phosphate Nickel	<b>CRPC-PN16</b>	CRPC
	CR Gold	300 Series Stainless Steel	Black Oxide	<b>NP-16C CR</b>	NP
	Bev Gold	300 Series Stainless Steel	TDC	<b>CRPS-16</b>	CRPS



Block Oxide Coated Insert After Accelerated Corrosion Resistant Test



Thin Dense Chrome (TDC) Insert After Accelerated Corrosion Resistant Test



DODGE CR Insert After Accelerated Corrosion Resistant Test



Zinc Plated Insert After Accelerated Corrosion Resistant Test



400 Series Stainless Insert After Accelerated Corrosion Resistant Test

FEATURES/BENEFITS PAGE B1-2	SELECTION PAGE B1-5	DIMENSIONS PAGE B1-14	ACCESSORIES PAGE B1-90
--------------------------------	------------------------	--------------------------	---------------------------

# INTERCHANGE

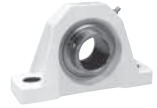


## E-Z KLEEN Competitive Comparison

Manufacturer	Brand Name	Two Bolt Flange	Four Bolt Flange	Tapped Based	Flange Bracket	Wide Slot Take up
Dodge	E-Z KLEEN	F2B	F4B	TB	FC	WSTU
	E-Z KLEEN	F2B	F4B	n/a	n/a	n/a
	E-Z KLEEN	F2B	F4B	TB	FC	WSTU
	E-Z KLEEN	F2B	F4B	n/a	n/a	n/a
AMI	Corrosion Protection	UCNFL	UCFPL	UCTBL	UCFBL	UCTPL
	Corrosion Protection	MUCNFL	MUCFPL	MUCTBL	MUCFBL	MUCTPL
	Corrosion Protection	MUCFL	MUCF	n/a	n/a	n/a
Browning	CRES CZ	CF2S	CF4S	CTBS	n/a	n/a
	CRES CS	CF2S-S	CF4S-S	n/a	n/a	n/a
	CRES SS	SF2S-S	SF4S-S	n/a	n/a	n/a
Fafnir	Survivor	YCJT	YCJ	n/a	n/a	n/a
IPTCI	Corrosion Resistant	BUCTFL	BUCTF	BUCTPA	BUCTFB	BUCTTRS
	Corrosion Resistant	SUCTFL	SUCTF	SUCTPA	SUCTFB	SUCTTRS
	Corrosion Resistant	SUCSFL	SUCSF	SUCSPA	SUCSFB	n/a
Linkbelt	Klean-Gard	KFX-S	KF-S	n/a	n/a	n/a
	Klean-Gard	KFXS-S	KFS-S	n/a	n/a	n/a
MRC	Z-MaRC	C2F	C4F	CTB	CBF	CTW
	Marathon	C2F	C4F	CTB	CBF	CTW
Sealmaster	PN Gold	CRFTC	CRFC	n/a	n/a	n/a
	CR Gold	SFT	SF	n/a	FB	n/a
	Bev Gold	CRFTS	CRFS	n/a	CRFBS	n/a

FEATURES/BENEFITS PAGE B1-2	SELECTION PAGE B1-5	DIMENSIONS PAGE B1-14	ACCESSORIES PAGE B1-90
--------------------------------	------------------------	--------------------------	---------------------------

# ACCESSORIES



## E-Z KLEEN Polymer and Stainless Steel Housed Mounted Bearings END CLOSURES

Series	For Shaft Size	Closed End Closure		Open End Closure	
		Part Number	Description	Part Number	Description
204	3/4	128960	ECC-EZ-204	128974	ECO-EZ-012
	20mm			128991	ECO-EZ-20M
205	1	128961	ECC-EZ-205	128975	ECO-EZ-100
	25mm			128992	ECO-EZ-25M
206	1-3/16	128962	ECC-EZ-206	128976	ECO-EZ-103
	1-1/4			128989	ECO-EZ-104S
	30mm			128993	ECO-EZ-30M
207	1-1/4	128963	ECC-EZ-207	128977	ECO-EZ-104
	1-7/16			128990	ECO-EZ-107
	35mm			128994	ECO-EZ-35M
208	1-1/2	128964	ECC-EZ-208	128978	ECO-EZ-108
	40mm			128996	ECO-EZ-40M
209	1-11/16	128965	ECC-EZ-209	@	ECO-EZ-111
	45mm			@	ECO-EZ-45M
210	1-15/16	128966	ECC-EZ-210	128980	ECO-EZ-115
	2 50mm			128997	ECO-EZ-50M

@ Made to order

FEATURES/BENEFITS  
PAGE B1-2

SELECTION  
PAGE B1-5

DIMENSIONS  
PAGE B1-14

INTERCHANGE  
PAGE B1-88

# ACCESSORIES



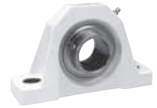
## E-Z KLEEN Polymer and Stainless Steel Housed Mounted Bearings END CLOSURES

Series	For Shaft Size	Weight lbs (kg)	A	B	L		W
					ECC-	ECO-	
204	3/4	0.18	1-57/64	1-3/8	1-1/8	1-3/16	17/32
	20mm	0.005	48.01	35.05	28.58	30.16	13.49
205	1	0.22	2-11/64	1-39/64	1-3/16	1-1/4	17/32
	25mm	0.006	55.12	40.89	30.16	31.75	13.49
206	1-3/16	0.33	2-1/2	1-31/32	1-11/32	1-25/64	9/16
	1-1/4 30mm	0.009	63.50	50.04	33.73	35.32	14.29
207	1-1/4	0.44	2-29/32	2-5/16	1-15/32	1-17/32	11/16
	1-7/16 35mm	0.012	73.91	58.93	37.31	38.89	17.46
208	1-1/2	0.62	3-5/16	2-49/64	1-17/32	1-19/32	11/16
	40mm	0.017	84.07	70.10	38.89	40.48	17.46
209	1-11/16	0.76	3-1/2	2-7/8	1-5/8	1-21/32	23/32
	45mm	0.021	88.90	72.90	40.48	42.07	18.26
210	1-15/16 2	0.80	3-5/8	3	1-21/32	1-23/32	29/32
	50mm	0.022	92.08	76.20	42.07	43.66	23.02

Series	For Shaft Size	ECC- add on dimension			ECO- add on dimension		
		P2B & TB	2B, 4B, & FB	Take-Up	P2B & TB	2B, 4B, & FB	Take-Up
204	3/4	45/64	1-1/16	49/64	49/64	1-1/8	53/64
	20mm	17.86	26.99	19.45	19.45	28.58	21.03
205	1	47/64	1-3/32	51/64	51/64	1-5/32	55/64
	25mm	18.65	27.78	20.24	20.24	29.37	21.83
206	1-3/16	25/32	1-1/4	7/8	27/32	1-5/16	15/16
	1-1/4 30mm	19.84	31.75	22.23	21.43	33.34	23.81
207	1-1/4	29/32	1-3/8	1-1/32	31/32	1-7/16	1-3/32
	1-7/16 35mm	23.02	34.93	26.19	24.61	36.51	27.78
208	1-1/2	59/64	1-29/64	----	63/64	1-33/64	----
	40mm	23.42	36.91	----	25.00	38.50	----
209	1-11/16	15/16	1-1/2	----	1	1-9/16	----
	45mm	23.81	38.10	----	25.40	39.69	----
210	1-15/16 2	29/32	1-37/64	----	31/32	1-41/64	----
	50mm	23.02	40.08	----	24.61	41.67	----

FEATURES/BENEFITS PAGE B1-2	SELECTION PAGE B1-5	DIMENSIONS PAGE B1-14	INTERCHANGE PAGE B1-88
--------------------------------	------------------------	--------------------------	---------------------------

# ACCESSORIES



## Polymer Housed Units SOLID STEEL SHAFT COLLARS

Shaft Size	Part Number*		Dimensions			
	Steel	Stainless	OD	Width	Screw	Weight
1/8	-	456225	0.36	0.25	#6	0.01
3/16	040001	456226	0.44	0.25	#8	0.01
1/4	040002	456227	0.50	0.28	#10	0.01
5/16	040003	456228	0.63	0.34	1/4	0.01
3/8	040004	456229	0.75	0.38	1/4	0.01
7/16	040005	-	0.88	0.44	1/4	0.05
1/2	040006	456230	1.00	0.44	1/4	0.1
9/16	040007	-	1.00	0.44	184	0.1
5/8	040008	456231	1.13	0.50	5/16	0.1
11/16	040009	-	1.25	0.56	5/16	0.1
3/4	040010	456232	1.25	0.56	5/16	0.1
13/16	040011	-	1.31	0.56	5/16	0.1
7/8	040012	456234	1.50	0.56	5/16	0.2
15/16	040013	-	1.63	0.56	5/16	0.2
1	040014	456234	1.63	0.63	5/16	0.2
1-1/16	040015	-	1.75	0.63	5/16	0.2
1-1/8	040016	456235	1.75	0.63	5/16	0.2
1-3/16	040017	-	2.00	0.69	3/8	0.4
1-1/4	040018	456236	2.00	0.69	3/8	0.4
1-5/16	040019	-	2.13	0.69	3/8	0.4
1-3/8	040020	-	2.13	0.75	3/8	0.4
1-7/16	040021	456237	2.25	0.75	3/8	0.5
1-1/2	040022	-	2.25	0.75	3/8	0.5
1-9/16	040023	-	2.50	0.81	3/8	0.7
1-5/8	040024	-	2.50	0.81	3/8	0.6
1-11/16	040025	-	2.50	0.81	3/8	0.6
1-3/4	040026	456238	2.75	0.88	1/2	0.8
1-7/8	040027	-	2.75	0.88	1/2	0.8
1-15/16	040028	-	3.00	0.88	1/2	1.0
2	040029	456239	3.00	0.88	1/2	1.0
2-3/16	040030	-	3.25	0.94	1/2	1.2
2-1/4	040031	-	3.25	0.94	1/2	1.2
2-7/16	040032	-	3.50	1.00	1/2	1.4
2-1/2	040033	-	3.50	1.00	1/2	1.3
2-15/16	040034	-	4.25	1.13	1/2	2.2

\* Material Steel is mild carbon steel  
Stainless is 300-series stainless  
All sizes are fitted with one setscrew

FEATURES/BENEFITS PAGE B1-2	SELECTION PAGE B1-5	DIMENSIONS PAGE B1-14	INTERCHANGE PAGE B1-88
--------------------------------	------------------------	--------------------------	---------------------------



# CONTENTS



## GRIP TIGHT® Adapter Ball Bearings

Features / Benefits . . . . .	B2-2
How to Order / Nomenclature . . . . .	B2-4
Selection . . . . .	B2-5
Selection/Dimensions	
GRIP TIGHT Pillow Blocks	
GT Normal Duty . . . . .	B2-8
GTAH Air Handling . . . . .	B2-12
GTB Low Back . . . . .	B2-16
GTM Medium Duty . . . . .	B2-22
GTMAH Air Handling. . . . .	B2-26
GT Tapped Base . . . . .	B2-30
GRIP TIGHT 2 Bolt Flanges	
GT Normal Duty . . . . .	B2-32
GTAH Air Handling . . . . .	B2-36
GTM Medium Duty . . . . .	B2-40
GT LFT Normal Duty. . . . .	B2-42
GRIP TIGHT 3 Bolt Flanges	
GT FB Flanged Brackets. . . . .	B2-44
GT LF Normal Duty. . . . .	B2-46
GRIP TIGHT 4 Bolt Flanges	
GT Normal Duty . . . . .	B2-48
GTAH Air Handling . . . . .	B2-52
GTM Medium Duty . . . . .	B2-56
GTMAH Air Handling. . . . .	B2-60
GRIP TIGHT Piloted Flanges (flanged cartridge)	
GT Normal Duty . . . . .	B2-64
GTM Medium Duty . . . . .	B2-66
GRIP TIGHT Take-Up Bearings	
GT Normal Duty Narrow Slot . . . . .	B2-68
GTM Medium Duty Narrow Slot . . . . .	B2-72
GT Normal Duty Wide Slot . . . . .	B2-74
GTM Medium Duty Wide Slot . . . . .	B2-78
GT Normal Duty Top Angle . . . . .	B2-82
GTM Medium Duty Top Angle . . . . .	B2-84
GRIP TIGHT Inserts	
GT Normal Duty . . . . .	B2-86
GTM Medium Duty . . . . .	B2-90
Related Products. . . . .	B2-96
Part Number Index . . . . .	
Key Word Index. . . . .	

Bearing Quick Reference

E-Z KLEEN

GRIP TIGHT Adapter Ball Bearing

Set Screw Ball Bearing

Eccentric Collar Ball Bearing

## FEATURES/BENEFITS



### GRIP TIGHT® Adapter Ball Bearings

DODGE proudly introduces a new, totally different ball bearing with a name that says it all: GRIP TIGHT.

With its patent pending pull/push adapter system, fully concentric 360° inner ring, and completely interchangeable housing design, the new DODGE GRIP TIGHT Adapter ball bearing is the easy-on/easyoff solution for damage free shafting, reduced vibration, and greater cost/inventory savings.

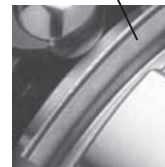
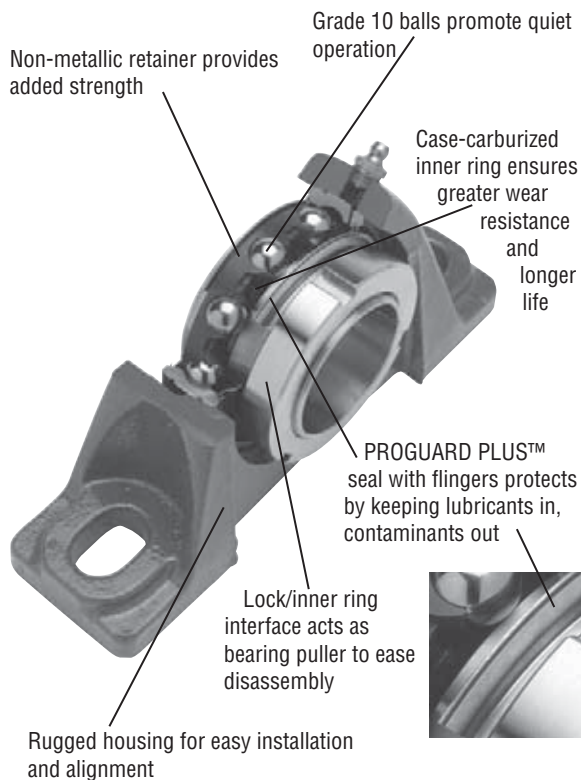
The new GRIP TIGHT Adapter ball bearing is shaft-ready right out of the box and offered in a variety of housing styles for normal and medium duty operations. It accommodates commercial grade and some undersize shafting to lower costs, and all GRIP TIGHT Adapter assemblies fit into a standard DODGE ball bearing housing.

Plus this new DODGE bearing has been specifically engineered to run at higher speeds and operate cooler for longer grease life.

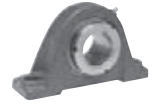
In test comparisons, the new GRIP TIGHT Adapter ball bearing even proved it could suppress fretting corrosion and scarring to shafts and journals, thus saving not only time but added labor/maintenance costs.

#### Easy-On / Easy-Off

During mounting, the patent pending collar/inner ring system locks the tapered adapter sleeve under the bearing and onto the shaft. To dismount, the built in bearing puller pulls the bearing off the adapter and pushes the adapter in the opposite direction (out from under the bearing).



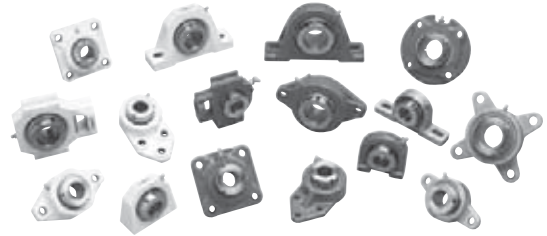
# FEATURES/BENEFITS



## GRIP TIGHT® Adapter Ball Bearings

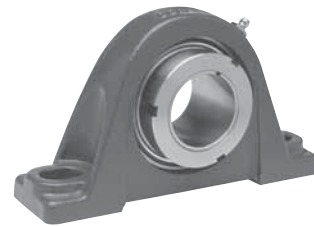
### Housing Styles

Off the shelf and shaft ready, the DODGE GRIP TIGHT Adapter ball bearing is offered for normal and medium duty in a variety of housing styles, including pillow block; tapped base; two-, three-, and four-bolt flange; piloted flange; take-up, and E-Z KLEEN design.



### Less Product Inventory for Significant Savings

With DODGE GRIP TIGHT Adapter ball bearings, you can reduce your inventory as much as 25% - 45%. Rather than inventory a complete line of individual bore sizes for each housing style, you can now purchase a housing assembly and adapters separately, with the adapter determining the bore size within a housing series.

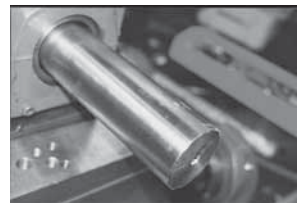


### Damage Free Shafting

The new DODGE GRIP TIGHT Adapter bearing features a unique adapter-mount design that is specifically developed to withstand axial forces that are generated during mounting or dismounting. The adapter provides superior holding power, as well as suppresses fretting corrosion and vibration.



In test comparisons, a setscrew mounted bearing promotes shaft fretting corrosion and scarring. But the new DODGE GRIP TIGHT Adapter bearing comes off the shaft quickly and reveals no shaft fretting corrosion or scarring. There is no need to recondition your shaft so you save time and avoid added labor/maintenance.



### Full Contact on Shaft for Better Grip, Less Vibration

Setscrew locking can distort the inner ring and cause system induced vibration. But with the new DODGE GRIP TIGHT Adapter, the adapter attaches itself to the shaft for full concentric contact 360° through the length of the bearing.



Bearing Quick Reference

E-Z KLEEN

GRIP TIGHT Adapter Ball Bearing

Set Screw Ball Bearing

Eccentric Collar Ball Bearing

# HOW TO ORDER NOMENCLATURE



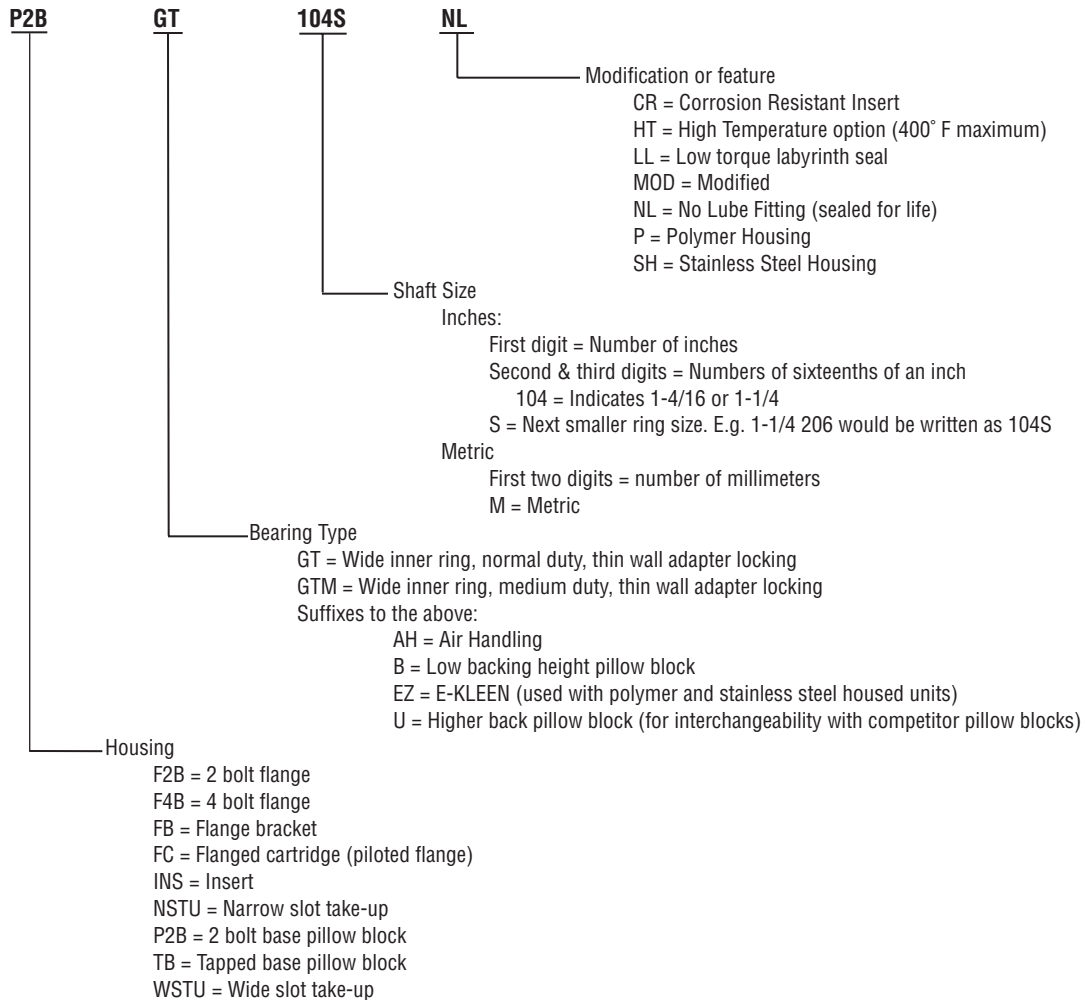
## GRIP TIGHT Thin Wall Adapter Ball Bearings

There are two ways to specify DODGE Bearings. Most of the product offerings have part numbers with listings shown throughout this catalog. Use of the part numbers ensures accurate order processing.

When part numbers are not shown, the product may be specified by description or part name.

This method is used when ordering units that include modifications or options. To order by description, use the nomenclature key shown below and add any special instructions to the end of the description for options not covered by the nomenclature.

### Nomenclature



Bearing Quick Reference

E-Z-KLEEN

GRIP TIGHT Adapter Ball Bearing

Set Screw Ball Bearing

Eccentric Collar Ball Bearing

FEATURES/BENEFITS PAGE B2-2	SELECTION PAGE B2-5	SELECTION/DIMENSIONS PAGE B2-30	RELATED PRODUCTS PAGE B2-96
--------------------------------	------------------------	------------------------------------	--------------------------------

# SELECTION



## GRIP TIGHT Adapter Ball Bearings

DODGE mounted ball bearings are primarily designed for radial loading. However, they have the capacity to carry thrust loads and combined radial/thrust loads. The maximum recommended load which can be applied is limited by various components in the system, such as bearing, housing, shaft attachments, speed and life requirements. DODGE mounted ball bearings have been applied successfully when these limits have been exceeded under controlled operating conditions. Contact DODGE Engineering for applications which exceed these recommendations.

Select a bearing from the Selection Chart that has a radial load rating at the operating speed equal to or greater than the calculated Equivalent Radial Load for a desired L<sub>10</sub> life. This simple method is all that is required for the majority of general applications and provides for occasional average shock loads.

**L<sub>10</sub> Hours Life**-is the life which may be expected for at least 90% of a given group of bearings operating under identical conditions. For an L<sub>10</sub> hours life other than those listed in the Selection Chart, multiply the equivalent Radial load by one of the following factors. For 50,000 L<sub>10</sub> hours life, use a factor of 1.18 and for 80,000, use 1.39. Then select a bearing from the bold face (30,000) L<sub>10</sub> ratings only in the Selection Chart that has a rating equal to or greater than this value.

**Heavy Service**-For heavy shock loads, frequent shock loads or severe vibrations, add up to 50% (according to severity of conditions) to the Equivalent Radial Load to obtain a Modified Equivalent Radial Load. Consult Application Engineering for additional selection assistance.

A thrust load value of C/10 is recommended as a guide for general applications and will give adequate L10 life. Where substantial radial load pulls the housing away from the mounting base, both the hold-down bolts and housing must be of adequate strength. Auxiliary load carrying devices, such as shear bars, are advisable for side or end-loading of pillow blocks and radial loads for flange units.

To determine the L<sub>10</sub> hours life for loads and RPM's not listed use the following equation:

$$L_{10} = \left(\frac{C}{P}\right)^3 \times \frac{16667}{\text{RPM}}$$

Where:

L<sub>10</sub> = Life, hours

C = Dynamic Capacity, lbs. or N

P = Equivalent Radial Load, lbs. or N

When the load on a ball bearing is solely a radial load with no thrust (axial) load, the Equivalent Radial Load (P) is equal to the actual radial load. However, when a thrust (axial) load is applied, the radial and thrust loads applied must be converted into an Equivalent Radial Load. The use of the X (radial factor) and Y (thrust factor) from Table 1 convert the actual applied thrust and radial loads to an Equivalent Radial Load which has the same effect on the life of a bearing as a radial load of this magnitude.

$$P = (X \times F_R) + (Y \times F_A)$$

Where:

P = Equivalent Radial Load, lbs.

F<sub>R</sub> = Radial load, lbs.

F<sub>A</sub> = Thrust load, lbs.

e = Thrust load to radial load factor (Table 1)

X = Radial load factor (Table 1)

Y = Thrust Factor (Table 1)

C<sub>0</sub> = Basic static capacity

To find X and Y, first calculate F<sub>A</sub>/C<sub>0</sub> to determine e. Calculate F<sub>A</sub>/F<sub>R</sub> and compare to e to determine the X and Y factors to use from Table 1.

Substitute all known values into the Equivalent Radial Load equation. The Equivalent Radial loads (P) thus determined can be used in the L<sub>10</sub> life formula or compared to the allowable Equivalent Radial Load rating desired in the expanded rating chart to select a bearing (Table 2).

If calculated value of P is less than F<sub>R</sub>, use P=F<sub>R</sub>.

**Table 1:**

F <sub>A</sub>	e	Radial/Thrust Factors			
		If F <sub>A</sub> /F <sub>R</sub> is equal to or less than e		If F <sub>A</sub> /F <sub>R</sub> is greater than e	
		F <sub>A</sub> /F <sub>R</sub> ≤ e		F <sub>A</sub> /F <sub>R</sub> > e	
C <sub>0</sub>		X	Y	X	Y
.014	.19	1	0	0.56	2.30
.021	.21	1	0	0.56	2.15
.028	.22	1	0	0.56	1.99
.042	.24	1	0	0.56	1.85
.056	.26	1	0	0.56	1.71
.070	.27	1	0	0.56	1.63
.084	.28	1	0	0.56	1.55
.110	.30	1	0	0.56	1.45
.170	.34	1	0	0.56	1.31
.280	.38	1	0	0.56	1.15
.420	.42	1	0	0.56	1.04
.560	.44	1	0	0.56	1.00

**Lubrication**-DODGE Ball Bearings are lubricated at the factory and are ready to run. The bearings are initially lubricated with a lithium complex based grease and should be relubricated with the same or some equivalent. For high speeds, high loads, extreme temperatures and other abnormal operating conditions, special greases may be required. Contact DODGE Application Engineering for recommendations on these types of applications.

**Misalignment**-DODGE Ball Bearings are designed to allow a maximum of ± 2° static misalignment. These bearings are not suitable for dynamic misalignment. To ensure good alignment, mounting surfaces must be checked for flatness and must lie in the same plane. When tightening base bolts, each bolt should be alternately tightened in incremental torque values until full torque is achieved to prevent the angular shifting of the pillow block that occurs when one bolt is tightened to its full torque. Shimming may be required to minimize misalignment.

Normal Shaft Size Inches	Shaft Tolerances		Recommended Shaft Tolerances GRIP TIGHT Ball Bearings Inches
	Commercial	Shaft Tolerances Inches	
Up to 1-1/2		+0.000 -0.002	+0.000 -0.002
Over 1-1/2" to 2-1/2		+0.000 -0.003	+0.000 -0.003
Over 2-1/2		+0.000 -0.004	+0.000 -0.004

FEATURES/BENEFITS PAGE B2-2	HOW TO ORDER/NOMENCLATURE PAGE B2-4	SELECTION PAGE B2-5	RELATED PRODUCTS PAGE B2-96
--------------------------------	--	------------------------	--------------------------------



# SELECTION



## GRIP TIGHT Adapter Ball Bearings

Table 2: Easy Selection Table

Ring Size	Shaft Size		L10 LIFE Hours	ALLOWABLE EQUIVALENT RADIAL LOAD RATINGS (LBS.) AT VARIOUS RPM																				
	GT	GTM		3,800	4,000	4,300	4,500	4,800	5,000	5,300	5,600	6,000	6,300	6,700	7,500	8,000	8,500	9,000	9,500	10,000	11,000	12,000	13,000	14,500
203	1/2 5/8 17mm	-	20,000	130	128	125	123	120	119	116	114	112	110	108	104	102	100	98	96	94	91	89	86	83
			30,000	114	112	109	107	105	104	102	100	98	96	94	91	89	87	85	84	82	80	77	75	73
			40,000	103	102	99	98	96	94	92	91	89	87	85	82	81	79	77	76	75	72	70	69	66
			60,000	90	89	87	85	83	82	81	79	77	76	75	72	70	69	68	66	65	63	62	60	58
			100,000	76	75	73	72	70	69	68	67	65	64	63	61	59	58	57	56	55	53	52	51	49
204	3/4 20mm	-	20,000	175	172	168	165	162	160	156	154	150	148	145	139	136	134	131	129	127	123	119	116	
			30,000	153	150	147	144	141	139	137	134	131	129	126	122	119	117	115	113	111	107	104	101	
			40,000	139	136	133	131	128	127	124	122	119	117	115	111	108	106	104	102	101	97	95	92	
			60,000	121	119	116	115	112	111	108	107	104	102	100	97	95	93	91	89	88	85	83	80	
			100,000	102	101	98	97	95	93	92	90	88	86	85	82	80	78	77	75	74	72	70		
205	7/8 15/16 1 25mm	3/4	20,000	190	187	182	179	176	173	170	167	163	160	157	151	148	145	142	140	137	133	129		
			30,000	166	163	159	157	153	151	148	146	142	140	137	132	129	127	124	122	120	116	113		
			40,000	151	148	145	142	139	137	135	132	129	127	125	120	117	115	113	111	109	106	103		
			60,000	132	129	126	124	122	120	118	116	113	111	109	105	103	101	99	97	95	92	90		
			100,000	111	109	106	105	103	101	99	97	95	94	92	88	87	85	83	82	80	78			
206	1-1/8 1-3/16 1-1/4 30mm	1 25mm	20,000	263	259	253	249	244	240	236	231	226	223	218	210	206	201	198	194	191	185			
			30,000	230	226	221	217	213	210	206	202	198	194	190	183	180	176	173	170	167	161			
			40,000	209	206	201	198	193	191	187	184	180	177	173	167	163	160	157	154	151	147			
			60,000	183	180	175	173	169	167	163	160	157	154	151	146	143	140	137	135	132	128			
			100,000	154	151	148	146	143	141	138	135	132	130	128	123	120	118	116	113	112	108			
207	1-1/4 1-1/4 1-7/16 35mm	1-3/16 1-1/4	20,000	347	341	333	328	321	317	311	305	298	293	287	277	271	266	261	256					
			30,000	303	298	291	287	281	277	272	267	261	256	251	242	237	232	228	224					
			40,000	276	271	265	261	255	252	247	242	237	233	228	220	215	211	207	203					
			60,000	241	237	231	228	223	220	216	212	207	203	199	192	188	184	181	177					
			100,000	203	200	195	192	188	185	182	178	174	172	168	162	158	155	152	150					
208	1-1/2 40mm	1-7/16 1-1/2** 35mm	20,000	442	435	424	418	409	403	396	389	380	374	366	352	345	338							
			30,000	386	380	371	365	357	352	346	339	332	326	320	308	301	295							
			40,000	351	345	337	332	325	320	314	308	301	297	290	280	274	268							
			60,000	307	301	294	290	284	280	274	269	263	259	254	244	239	234							
			100,000	259	254	248	244	239	236	231	227	222	218	214	206	202	198							
209	1-5/8 1-11/16 1-3/4 45mm	1-1/2 40mm	20,000	476	468	457	450	440	434	426	418	409	402	394	379	371								
			30,000	416	409	399	393	385	379	372	365	357	351	344	331	324								
			40,000	378	371	362	357	349	345	338	332	324	319	313	301	295								
			60,000	330	324	317	312	305	301	295	290	283	279	273	263	257								
			100,000	278	274	267	263	257	254	249	245	239	235	230	222	217								
210	1-15/16 2 50mm	1-11/16 1-3/4 45mm	20,000	476	468	457	450	440	434	426	418	409	402	394	379									
			30,000	416	409	399	393	385	379	372	365	357	351	344	331									
			40,000	378	371	362	357	349	345	338	332	324	319	313	301									
			60,000	330	324	317	312	305	301	295	290	283	279	273	263									
			100,000	278	274	267	263	257	254	249	245	239	235	230	222									
211	2 2-3/16 55mm	1-15/16 2 50mm	20,000	588	578	565	556	544	537	527	517	505	497	487										
			30,000	514	505	493	486	475	469	460	452	441	434	425										
			40,000	467	459	448	441	432	426	418	410	401	394	386										
			60,000	408	401	391	386	377	372	365	358	350	345	338										
			100,000	344	338	330	325	318	314	308	302	295	291	285										
212	2-1/4 2-7/16 60mm	2-3/16 2-1/4 55mm	20,000	711	699	682	672	658	649	636	625	611												
			30,000	621	611	596	587	575	567	556	546	533												
			40,000	564	555	542	533	522	515	505	496	485												
			60,000	493	485	473	466	456	450	441	433	423												
			100,000	416	409	399	393	385	379	372	365	357												
214	2-11/16 70mm	2-7/16 2-1/2 65mm	20,000	844	830	810	798	781	770															
			30,000	737	725	708	697	682	673															
			40,000	670	658	643	633	620	611															
			60,000	585	575	562	553	541	534															
			100,000	494	485	474	467	457	450															
215	2-15/16 75mm	2-11/16 70mm	20,000	897	882	861	848	830																
			30,000	783	770	752	741	725																
			40,000	712	700	683	673	658																
			60,000	622	611	597	588	575																
			100,000	524	516	503	496	485																
216	-	2-15/16 3 75mm	20,000	1,050	1,032	1,007	992																	
			30,000	917	901	880	867																	
			40,000	833	819	800	788																	
			60,000	728	715	698	688																	
			100,000	614	603	589	580																	
218	-	3-7/16 3-1/2 85mm	20,000	1,294																				
			30,000	1,130																				
			40,000	1,027																				
			60,000	897																				
			100,000	756																				

\*\* Piloted Flange Only

Labyrinth seal required when operating in the shaded area

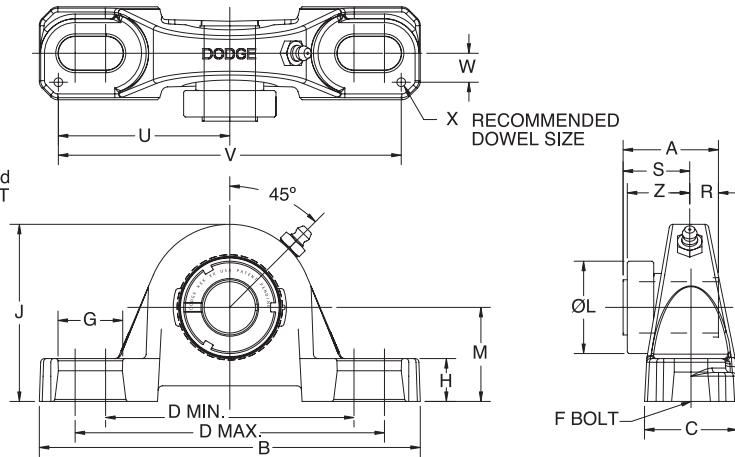
FEATURES/BENEFITS PAGE B2-2	HOW TO ORDER/NOMENCLATURE PAGE B2-4	SELECTION PAGE B2-5	RELATED PRODUCTS PAGE B2-96
--------------------------------	--	------------------------	--------------------------------

# SELECTION/DIMENSIONS



## GRIP TIGHT Adapter Ball Bearings GT NORMAL DUTY PILLOW BLOCKS

Lube Fitting Thread Size -  
203 Series - 1/4-28 Tapered Thread  
204 Series and Larger - 1/8-27 NPT



Series	Shaft Size	Complete Unit		Unit without Adapter Sleeve & Lock Nut		Adapter Sleeve & Lock Nut Assembly	
		Part No.	Description	Part No.	Description	Part No.	Description
203	1/2	<b>129150</b>	P2B-GT-008	<b>129420</b>	P2B-GT-03	<b>129902</b>	AN-GT-03-008
	5/8	<b>129151</b>	P2B-GT-010			<b>129903</b>	AN-GT-03-010
	17mm	<b>129203</b>	P2B-GT-17M			<b>129942</b>	AN-GT-03-17M
203 (GTU)	1/2	<b>129152</b>	P2B-GTU-008	<b>129432</b>	P2B-GTU-03	<b>129902</b>	AN-GT-03-008
	5/8	<b>129153</b>	P2B-GTU-010			<b>129903</b>	AN-GT-03-010
	17mm	<b>129204</b>	P2B-GTU-17M			<b>129942</b>	AN-GT-03-17M
204	3/4	<b>129154</b>	P2B-GT-012	<b>129421</b>	P2B-GT-04	<b>129904</b>	AN-GT-04-012
	20mm	<b>129205</b>	P2B-GT-20M			<b>129943</b>	AN-GT-04-20M
205	7/8	<b>129155</b>	P2B-GT-014	<b>129422</b>	P2B-GT-05	<b>129905</b>	AN-GT-05-014
	15/16	<b>129156</b>	P2B-GT-015			<b>129906</b>	AN-GT-05-015
	1	<b>129157</b>	P2B-GT-100			<b>129907</b>	AN-GT-05-100
	25mm	<b>129206</b>	P2B-GT-25M			<b>129944</b>	AN-GT-05-25M
206	1-1/8	<b>129158</b>	P2B-GT-102	<b>129423</b>	P2B-GT-06	<b>129908</b>	AN-GT-06-102
	1-3/16	<b>129159</b>	P2B-GT-103			<b>129909</b>	AN-GT-06-103
	1-1/4	<b>129160</b>	P2B-GT-104S			<b>129910</b>	AN-GT-06-104S
	30mm	<b>129207</b>	P2B-GT-30M			<b>129945</b>	AN-GT-06-30M
206 (GTU)	1-1/8	<b>129841</b>	P2B-GTU-102	<b>129419</b>	P2B-GTU-06	<b>129908</b>	AN-GT-06-102
	1-3/16	<b>129842</b>	P2B-GTU-103			<b>129909</b>	AN-GT-06-103
	1-1/4	<b>129843</b>	P2B-GTU-104S			<b>129910</b>	AN-GT-06-104
	30mm	<b>129208</b>	P2B-GTU-30M			<b>129945</b>	AN-GT-06-30M
207	1-1/4	<b>129161</b>	P2B-GT-104	<b>129424</b>	P2B-GT-07	<b>129911</b>	AN-GT-07-104
	1-3/8	<b>129162</b>	P2B-GT-106			<b>129912</b>	AN-GT-07-106
	1-7/16	<b>129163</b>	P2B-GT-107			<b>129913</b>	AN-GT-07-107
	35mm	<b>129209</b>	P2B-GT-35M			<b>129946</b>	AN-GT-07-35M

FEATURES/BENEFITS PAGE B2-2	HOW TO ORDER/NOMENCLATURE PAGE B2-4	SELECTION PAGE B2-5	RELATED PRODUCTS PAGE B2-96
--------------------------------	--	------------------------	--------------------------------



# SELECTION/DIMENSIONS



## GRIP TIGHT Adapter Ball Bearings GT NORMAL DUTY PILLOW BLOCKS

Series	Shaft Size	Weight lbs kg	A	B	C	D		F Bolt Dia.	G	H	J	L	M	R#	S#	U	V	W	X*	Z
						min.	max.													
203	1/2	1.5	1-19/64	5	1-13/64	3-1/4	4-1/16	3/8	27/32	25/64	2-5/32	1-13/32	1-1/16	13/32	57/64	2-1/4	4-1/2	3/8	1/8	59/64
	5/8 17mm	1.5 0.6	32.9	127.0	30.6	82.6	103.2	M10	21.4	9.9	54.8	35.7	27.0	10.3	22.6	57.2	114.3	9.5	3.2	23.4
203 (GTU)	1/2	1.7	1-19/64	5	1-13/64	3-1/4	4-1/16	3/8	27/32	17/32	2-9/32	1-13/32	1-3/16	13/32	57/64	2-1/4	4-1/2	3/8	1/8	59/64
	5/8 17mm	1.6 0.7	32.9	127.0	30.6	82.6	103.2	M10	21.4	13.5	57.9	35.7	30.2	10.3	22.6	57.2	114.3	9.5	3.2	23.4
204	3/4	2.1	1-15/32	5-1/4	1-21/64	3-3/8	4-3/16	3/8	27/32	33/64	2-35/64	1-1/2	1-5/16	31/64	63/64	2-1/4	4-1/2	1/2	1/8	1-3/64
	20mm	1.0	37.3	133.4	33.7	85.7	106.4	M10	21.4	13.1	64.7	38.1	33.3	12.3	25.0	57.2	114.3	12.7	3.2	26.6
205	7/8	2.3	1-29/64	5-1/2	1-13/32	3-11/16	4-1/2	3/8	27/32	37/64	2-25/32	1-51/64	1-7/16	1/2	61/64	2-1/2	5	1/2	3/16	1-1/64
	15/16 1 25mm	2.3 2.3 1.1	36.9	139.7	35.7	93.7	114.3	M10	21.4	14.7	70.6	45.6	36.5	12.7	24.2	63.5	127.0	12.7	4.8	25.8
206	1-1/8	3.7	1-39/64	6-1/4	1-47/64	4-1/4	5	1/2	15/16	5/8	3-1/4	2-5/64	1-5/8	17/32	1-5/64	2-7/8	5-3/4	9/16	3/16	1-1/8
	1-3/16 1-1/4 30mm	3.6 3.6 1.7	40.9	158.8	44.1	108.0	127.0	M12	23.8	15.9	82.6	52.8	41.3	13.5	27.4	73.0	146.1	14.3	4.8	28.6
206 (GTU)	1-1/8	3.8	1-39/64	6-1/4	1-47/64	4-1/4	5	1/2	15/16	45/64	3-5/16	2-5/64	1-11/16	17/32	1-5/64	2-7/8	5-3/4	9/16	3/16	1-1/8
	1-3/16 1-1/4 30mm	3.7 3.7 1.7	40.9	158.8	44.1	108.0	127.0	M12	23.8	17.9	84.1	52.8	42.9	13.5	27.4	73.0	146.1	14.3	4.8	28.6
207	1-1/4	4.9	1-5/8	6-1/2	1-47/64	4-11/16	5-7/16	1/2	15/16	45/64	3-3/4	2-3/8	1-7/8	9/16	1-1/16	2-29/32	5-13/16	9/16	3/16	1-9/64
	1-3/8 1-7/16 35mm	4.9 4.8 2.2	41.3	165.1	44.1	119.1	138.1	M12	23.8	17.9	95.3	60.3	47.6	14.3	27.0	73.8	147.6	14.3	4.8	29.0

\* Only 1 pillow block can be dowel pinned per shaft

# R & S Dimensions will vary slightly depending on true shaft diameter

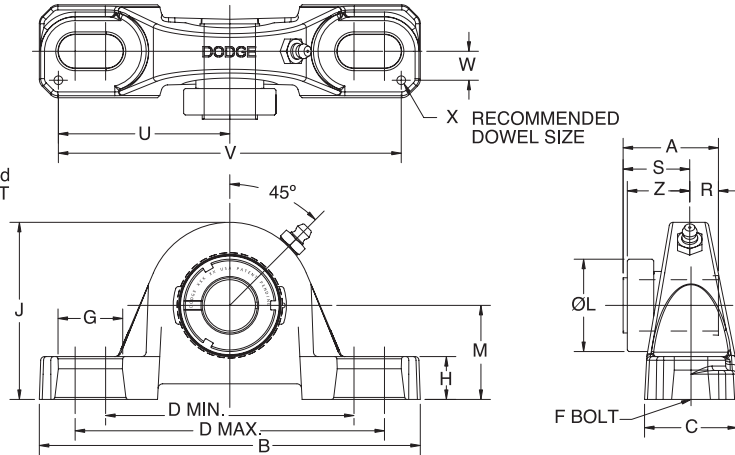
FEATURES/BENEFITS PAGE B2-2	HOW TO ORDER/NOMENCLATURE PAGE B2-4	SELECTION PAGE B2-5	RELATED PRODUCTS PAGE B2-96
--------------------------------	--	------------------------	--------------------------------

# SELECTION/DIMENSIONS



## GRIP TIGHT Adapter Ball Bearings GT NORMAL DUTY PILLOW BLOCKS

Lube Fitting Thread Size -  
203 Series - 1/4-28 Tapered Thread  
204 Series and Larger - 1/8-27 NPT



Series	Shaft		Complete Unit		Unit without Adapter Sleeve & Lock Nut		Adapter Sleeve & Lock Nut Assembly	
	Size	Part No.	Description	Part No.	Description	Part No.	Description	
208	1-1/2	<b>129164</b>	P2B-GT-108	<b>129425</b>	P2B-GT-08	<b>129914</b>	AN-GT-08-108	
	1-5/8	<b>129371</b>	P2B-GT-110				<b>129955</b>	AN-GT-08-110
	40mm	<b>129149</b>	P2B-GT-40M				<b>129947</b>	AN-GT-08-40M
209	1-5/8	<b>129165</b>	P2B-GT-110L	<b>129426</b>	P2B-GT-09	<b>129915</b>	AN-GT-09-110L	
	1-11/16	<b>129166</b>	P2B-GT-111				<b>129916</b>	AN-GT-09-111
	1-3/4	<b>129167</b>	P2B-GT-112				<b>129917</b>	AN-GT-09-112
	45mm	<b>129211</b>	P2B-GT-45M				<b>129948</b>	AN-GT-09-45M
210	1-15/16	<b>129168</b>	P2B-GT-115	<b>129427</b>	P2B-GT-10	<b>129918</b>	AN-GT-10-115	
	2	<b>129169</b>	P2B-GT-200				<b>129919</b>	AN-GT-10-200
	50mm	<b>129212</b>	P2B-GT-50M				<b>129949</b>	AN-GT-10-50M
211	2	<b>129224</b>	P2B-GTM-200	<b>129428</b>	P2B-GT-11	<b>129932</b>	AN-GTM-11-200	
	2-3/16	<b>129170</b>	P2B-GT-203				<b>129920</b>	AN-GT-11-203
	2-1/4	<b>129376</b>	P2B-GT-204				<b>129956</b>	AN-GT-11-204
	55mm	<b>129213</b>	P2B-GT-55M				<b>129950</b>	AN-GT-11-55M
212	2-1/4	<b>129226</b>	P2B-GTM-204	<b>129429</b>	P2B-GT-12	<b>129934</b>	AN-GTM-12-204	
	2-7/16	<b>129171</b>	P2B-GT-207				<b>129921</b>	AN-GT-12-207
	60mm	<b>129214</b>	P2B-GT-60M				<b>129951</b>	AN-GT-12-60M
214	2-1/2	<b>129228</b>	P2B-GTM-208	<b>129430</b>	P2B-GT-14	<b>129936</b>	AN-GTM-14-208	
	2-11/16	<b>129172</b>	P2B-GT-211				<b>129922</b>	AN-GT-14-211
	70mm	<b>129215</b>	P2B-GT-70M				<b>129952</b>	AN-GT-14-70M
215	2-15/16	<b>129173</b>	P2B-GT-215	<b>129431</b>	P2B-GT-15	<b>129923</b>	AN-GT-15-215	
	3	@	P2B-GT-300				<b>129987</b>	AN-GT-15-300
	75mm	<b>129216</b>	P2B-GT-75M				<b>129953</b>	AN-GT-15-75M
215 (GTU)	2-15/16	<b>068726</b>	P2B-GTU-215	<b>068727</b>	P2B-GTU-15	<b>129923</b>	AN-GT-15-215	
	3	@	P2B-GTU-300				<b>129987</b>	AN-GT-15-300
	75mm	@	P2B-GTU-75M				<b>129953</b>	AN-GT-15-75M

@ Assembled To Order

FEATURES/BENEFITS PAGE B2-2	HOW TO ORDER/NOMENCLATURE PAGE B2-4	SELECTION PAGE B2-5	RELATED PRODUCTS PAGE B2-96
--------------------------------	--	------------------------	--------------------------------

# SELECTION/DIMENSIONS



## GRIP TIGHT Adapter Ball Bearings GT NORMAL DUTY PILLOW BLOCKS

Series	Shaft Size	Weight lbs kg	A	B	C	D		F Bolt Dia.	G	H	J	L	M	R#	S#	U	V	W	X*	Z
						min.	max.													
208	1-1/2	6.0	1-27/32	7-1/4	1-15/16	5-3/16	5-7/8	1/2	29/32	15/16	4-3/16	2-5/8	2-1/8	21/32	1-3/16	3-17/64	6-17/32	11/16	3/16	1-15/64
	1-5/8	5.8																		
	40mm	2.7	46.8	184.2	49.2	131.8	149.2	M12	23.0	23.8	106.4	66.7	54.0	16.7	30.2	82.9	165.9	17.5	4.8	31.4
209	1-5/8	6.8	1-55/64	7-7/16	2	5-1/2	6-3/16	1/2	29/32	3/4	4-9/32	2-55/64	2-1/8	21/32	1-13/64	3-3/8	6-3/4	11/16	3/16	1-9/32
	1-11/16	6.8																		
	45mm	3.1	47.2	188.9	50.8	139.7	157.2	M12	23.0	19.1	108.7	72.6	54.0	16.7	30.6	85.7	171.5	17.5	4.8	32.5
210	1-15/16	8.5	1-55/64	8-1/8	2-1/4	6	6-11/16	5/8	1-1/64	3/4	4-17/32	3-1/8	2-1/4	21/32	1-13/64	3-11/16	7-3/8	13/16	3/16	1-9/32
	2	8.4																		
	50mm	3.9	47.2	206.4	57.2	152.4	169.9	M16	25.8	19.1	115.1	79.4	57.2	16.7	30.6	93.7	187.3	20.6	4.8	32.5
211	2	12.2	1-59/64	8-7/8	2-5/16	6-3/8	7-7/16	5/8	1-7/32	7/8	4-15/16	3-27/64	2-1/2	45/64	1-7/32	3-15/16	7-7/8	13/16	3/16	1-11/32
	2-3/16	11.8																		
	55mm	5.6	48.8	225.4	58.7	161.9	188.9	M16	31.0	22.2	125.4	86.9	63.5	17.9	31.0	100.0	200.0	20.6	4.8	34.1
212	2-1/4	17.5	2-7/64	9-1/2	2-3/8	6-7/8	7-15/16	5/8	1-7/32	7/8	5-3/8	3-11/16	2-3/4	49/64	1-11/32	4-1/4	8-1/2	7/8	3/16	1-15/32
	2-7/16	17.2																		
	60mm	7.0	53.6	241.3	60.3	174.6	201.6	M16	31.0	22.2	136.5	93.7	69.9	19.4	34.1	108.0	215.9	22.2	4.8	37.3
214	2-1/2	19.4	2-25/64	10-3/4	2-11/16	7-1/2	8-1/2	3/4	1-5/16	15/16	6-5/64	4	3	7/8	1-33/64	4-7/8	9-3/4	15/16	3/16	1-19/32
	2-11/16	19.3																		
	70mm	8.9	60.7	273.1	68.3	190.5	215.9	M18	33.3	23.8	154.4	101.6	76.2	22.2	38.5	123.8	247.7	23.8	4.8	40.5
215	2-15/16	25.2	2-29/64	11-3/4	2-7/8	8-1/2	9-1/2	7/8	1-7/16	1	6-23/32	4-7/16	3-1/2	57/64	1-9/16	5-1/2	11	1-1/16	3/16	1-5/8
	3	25.0																		
	75mm	10.1	62.3	298.5	73.0	215.9	241.3	M22	36.5	25.4	170.7	112.7	88.9	22.6	39.7	139.7	279.4	27.0	4.8	41.3
215 (GTU)	2-15/16	24.9	2-29/64	11-3/4	2-7/8	8-1/2	9-1/2	7/8	1-7/16	1	6-15/32	4-7/16	3-1/4	57/64	1-43/64	5-1/2	11	1-1/16	3/16	1-5/8
	3	24.7																		
	75mm	10.0	62.3	298.5	73.0	215.9	241.3	M22	36.5	25.4	164.3	112.7	82.6	22.6	42.5	139.7	279.4	27.0	4.8	41.3

\* Only 1 pillow block can be dowel pinned per shaft

# R & S Dimensions will vary slightly depending on true shaft diameter

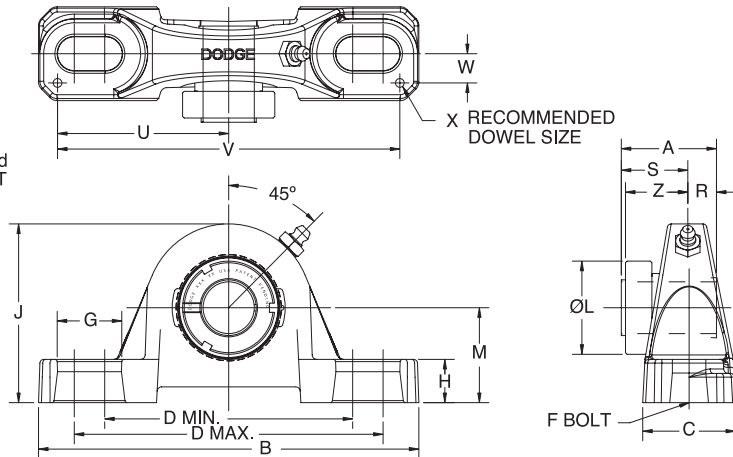
FEATURES/BENEFITS PAGE B2-2	HOW TO ORDER/NOMENCLATURE PAGE B2-4	SELECTION PAGE B2-5	RELATED PRODUCTS PAGE B2-96
--------------------------------	--	------------------------	--------------------------------

# SELECTION/DIMENSIONS



## GRIP TIGHT Adapter Ball Bearings GTAH AIR HANDLING NORMAL DUTY PILLOW BLOCKS

Lube Fitting Thread Size -  
203 Series - 1/4-28 Tapered Thread  
204 Series and Larger - 1/8-27 NPT



Series	Shaft Size	Complete Unit		Unit without Adapter Sleeve & Lock Nut		Adapter Sleeve & Lock Nut Assembly	
		Part No.	Description	Part No.	Description	Part No.	Description
203	1/2	@	P2B-GTAH-008	062993	P2B-GTAH-03	129902	AN-GT-03-008
	5/8	067713	P2B-GTAH-010			129903	AN-GT-03-010
	17mm	@	P2B-GTAH-17M			129942	AN-GT-03-17M
203 (GTU)	1/2	@	P2B-GTUAH-008	@	P2B-GTUAH-03	129902	AN-GT-03-008
	5/8	@	P2B-GTUAH-010			129903	AN-GT-03-010
	17mm	@	P2B-GTUAH-17M			129942	AN-GT-03-17M
204	3/4	129174	P2B-GTAH-012	129442	P2B-GTAH-04	129904	AN-GT-04-012
	20mm	@	P2B-GTAH-20M			129943	AN-GT-04-20M
205	7/8	@	P2B-GTAH-014	129443	P2B-GTAH-05	129905	AN-GT-05-014
	15/16	@	P2B-GTAH-015			129906	AN-GT-05-015
	1	129175	P2B-GTAH-100			129907	AN-GT-05-100
	25mm	062978	P2B-GTAH-25M			129944	AN-GT-05-25M
206	1-1/8	@	P2B-GTAH-102	129399	P2B-GTAH-06	129908	AN-GT-06-102
	1-3/16	129176	P2B-GTAH-103			129909	AN-GT-06-103
	1-1/4	@	P2B-GTAH-104S			129910	AN-GT-06-104S
	30mm	@	P2B-GTAH-30M			129945	AN-GT-06-30M
206 (GTU)	1-1/8	067865	P2B-GTUAH-102	129452	P2B-GTUAH-06	129908	AN-GT-06-102
	1-3/16	129177	P2B-GTUAH-103			129909	AN-GT-06-103
	1-1/4	@	P2B-GTUAH-104S			129910	AN-GT-06-104S
	30mm	@	P2B-GTUAH-30M			129945	AN-GT-06-30M
207	1-1/4	067910	P2B-GTAH-104	129444	P2B-GTAH-07	129911	AN-GT-07-104
	1-3/8	@	P2B-GTAH-106			129912	AN-GT-07-106
	1-7/16	129178	P2B-GTAH-107			129913	AN-GT-07-107
	35mm	@	P2B-GTAH-35M			129946	AN-GT-07-35M

@ Assembled to order

FEATURES/BENEFITS PAGE B2-2	HOW TO ORDER/NOMENCLATURE PAGE B2-4	SELECTION PAGE B2-5	RELATED PRODUCTS PAGE B2-96
--------------------------------	--	------------------------	--------------------------------

# SELECTION/DIMENSIONS



## GRIP TIGHT Adapter Ball Bearings GTAH AIR HANDLING NORMAL DUTY PILLOW BLOCKS

Series	Shaft Size	Weight lbs kg	A	B	C	D		F Bolt Dia.	G	H	J	L	M	R#	S#	U	V	W	X*	Z
						min.	max.													
203	1/2	1.6	1-19/64	5	1-13/64	3-1/4	4-1/16	3/8	27/32	25/64	2-5/32	1-13/32	1-1/16	13/32	57/64	2-1/4	4-1/2	3/8	1/8	59/64
	5/8	1.5																		
	17mm	0.6	32.9	127.0	30.6	82.6	103.2	M10	21.4	9.9	54.8	35.7	27.0	10.3	22.6	57.2	114.3	9.5	3.2	23.4
203 (GTU)	1/2	1.7	1-19/64	5	1-13/64	3-1/4	4-1/16	3/8	27/32	17/32	2-9/32	1-13/32	1-3/16	13/32	57/64	2-1/4	4-1/2	3/8	1/8	59/64
	5/8	1.6																		
	17mm	0.7	32.9	127.0	30.6	82.6	103.2	M10	21.4	13.5	57.9	35.7	30.2	10.3	22.6	57.2	114.3	9.5	3.2	23.4
204	3/4	2.1	1-15/32	5-1/4	1-21/64	3-3/8	4-3/16	3/8	27/32	33/64	2-35/64	1-1/2	1-5/16	31/64	63/64	2-1/4	4-1/2	1/2	1/8	1-3/64
	20mm	1.0	37.3	133.4	33.7	85.7	106.4	M10	21.4	13.1	64.7	38.1	33.3	12.3	25.0	57.2	114.3	12.7	3.2	26.6
205	7/8	2.3	1-29/64	5-1/2	1-13/32	3-11/16	4-1/2	3/8	27/32	37/64	2-25/32	1-51/64	1-7/16	1/2	61/64	2-1/2	5	1/2	3/16	1-1/64
	15/16	2.3																		
	1	2.3																		
206	25mm	1.1	36.9	139.7	35.7	93.7	114.3	M10	21.4	14.7	70.6	45.6	36.5	12.7	24.2	63.5	127.0	12.7	4.8	25.8
	1-1/8	3.7	1-39/64	6-1/4	1-47/64	4-1/4	5	1/2	15/16	5/8	3-1/4	2-5/64	1-5/8	17/32	1-5/64	2-7/8	5-3/4	9/16	3/16	1-1/8
	1-3/16	3.6																		
206 (GTU)	1-1/4	3.6																		
	30mm	1.7	40.9	158.8	44.1	108.0	127.0	M12	23.8	15.9	82.6	52.8	41.3	13.5	27.4	73.0	146.1	14.3	4.8	28.6
	1-1/8	3.8	1-39/64	6-1/4	1-47/64	4-1/4	5	1/2	15/16	45/64	3-5/16	2-5/64	1-11/16	17/32	1-5/64	2-7/8	5-3/4	9/16	3/16	1-1/8
207	1-3/16	3.7																		
	1-1/4	3.7																		
	30mm	1.7	40.9	158.8	44.1	108.0	127.0	M12	23.8	17.9	95.3	52.8	42.9	13.5	27.4	73.0	146.1	14.3	4.8	28.6
207	1-1/4	4.9	1-5/8	6-1/2	1-47/64	4-11/16	5-7/16	1/2	15/16	45/64	3-3/4	2-3/8	1-7/8	9/16	1-1/16	2-29/32	5-13/16	9/16	3/16	1-9/64
	1-3/8	4.9																		
	1-7/16	4.8																		
	35mm	2.2	41.3	165.1	44.1	119.1	138.1	M12	23.8	17.9	95.3	60.3	47.6	14.3	27.0	73.8	147.6	14.3	4.8	29.0

\* Only 1 pillow block can be dowel pinned per shaft

# R & S Dimensions will vary slightly depending on true shaft diameter

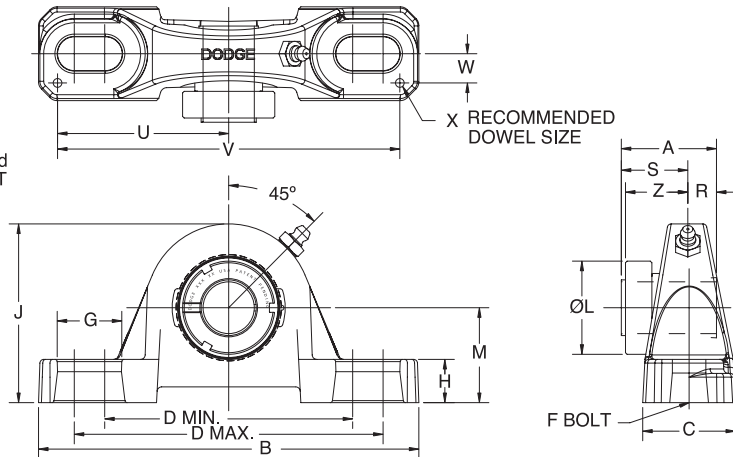
FEATURES/BENEFITS PAGE B2-2	HOW TO ORDER/NOMENCLATURE PAGE B2-4	SELECTION PAGE B2-5	RELATED PRODUCTS PAGE B2-96
--------------------------------	--	------------------------	--------------------------------

# SELECTION/DIMENSIONS



## GRIP TIGHT Adapter Ball Bearings GTAH AIR HANDLING NORMAL DUTY PILLOW BLOCKS

Lube Fitting Thread Size -  
203 Series - 1/4-28 Tapered Thread  
204 Series and Larger - 1/8-27 NPT



Series	Shaft Size	Complete Unit		Unit without Adapter Sleeve & Lock Nut		Adapter Sleeve & Lock Nut Assembly	
		Part No.	Description	Part No.	Description	Part No.	Description
208	1-1/2	<b>065620</b>	P2B-GTAH-108	<b>129445</b>	P2B-GTAH-08	<b>129914</b>	AN-GT-08-108
	1-5/8	@	P2B-GTAH-110			<b>129955</b>	AN-GT-08-110
	40mm	@	P2B-GTAH-40M			<b>129947</b>	AN-GT-08-40M
209	1-5/8	<b>064841</b>	P2B-GTAH-110L	<b>129446</b>	P2B-GTAH-09	<b>129915</b>	AN-GT-09-110L
	1-11/16	<b>129179</b>	P2B-GTAH-111			<b>129916</b>	AN-GT-09-111
	1-3/4	@	P2B-GTAH-112			<b>129917</b>	AN-GT-09-112
	45mm	@	P2B-GTAH-45M			<b>129948</b>	AN-GT-09-45M
210	1-15/16	<b>129180</b>	P2B-GTAH-115	<b>129447</b>	P2B-GTAH-10	<b>129918</b>	AN-GT-10-115
	2	@	P2B-GTAH-200			<b>129919</b>	AN-GT-10-200
	50mm	@	P2B-GTAH-50M			<b>129949</b>	AN-GT-10-50M
211	2	@	P2B-GTMAH-200	<b>129448</b>	P2B-GTAH-11	<b>129932</b>	AN-GTM-11-200
	2-3/16	<b>129181</b>	P2B-GTAH-203			<b>129920</b>	AN-GT-11-203
	2-1/4	@	P2B-GTAH-204			<b>129956</b>	AN-GT-11-204
	55mm	@	P2B-GTAH-55M			<b>129950</b>	AN-GT-11-55M
212	2-1/4	@	P2B-GTMAH-204	<b>129449</b>	P2B-GTAH-12	<b>129934</b>	AN-GTM-12-204
	2-7/16	<b>129182</b>	P2B-GTAH-207			<b>129921</b>	AN-GT-12-207
	60mm	@	P2B-GTAH-60M			<b>129951</b>	AN-GT-12-60M
214	2-1/2	@	P2B-GTMAH-208	<b>129450</b>	P2B-GTAH-14	<b>129936</b>	AN-GTM-14-208
	2-11/16	<b>062958</b>	P2B-GTAH-211			<b>129922</b>	AN-GT-14-211
	70mm	<b>067777</b>	P2B-GTAH-70M			<b>129952</b>	AN-GT-14-70M
215	2-15/16	<b>064463</b>	P2B-GTAH-215	<b>062682</b>	P2B-GTAH-15	<b>129923</b>	AN-GT-15-215
	3	@	P2B-GTAH-300			<b>129987</b>	AN-GT-15-300
	75mm	@	P2B-GTAH-75M			<b>129953</b>	AN-GT-15-75M
215 (GTU)	2-15/16	<b>062861</b>	P2B-GTUAH-215	@	P2B-GTUAH-15	<b>129923</b>	AN-GT-15-215
	3	@	P2B-GTUAH-300			<b>129987</b>	AN-GT-15-300
	75mm	@	P2B-GTUAH-75M			<b>129953</b>	AN-GT-15-75M

@ Assembled to order

FEATURES/BENEFITS PAGE B2-2	HOW TO ORDER/NOMENCLATURE PAGE B2-4	SELECTION PAGE B2-5	RELATED PRODUCTS PAGE B2-96
--------------------------------	--	------------------------	--------------------------------

# SELECTION/DIMENSIONS



## GRIP TIGHT Adapter Ball Bearings GTAH AIR HANDLING NORMAL DUTY PILLOW BLOCKS

Series	Shaft Size	Weight lbs kg	A	B	C	D		F Bolt Dia.	G	H	J	L	M	R#	S#	U	V	W	X*	Z
						min.	max.													
208	1-1/2	6.0	1-27/32	7-1/4	1-15/16	5-3/16	5-7/8	1/2	29/32	15/16	4-3/16	2-5/8	2-1/8	21/32	1-3/16	3-17/64	6-17/32	11/16	3/16	1-15/64
	1-5/8	5.9																		
	40mm	2.7	46.8	184.2	49.2	131.8	149.2	M12	23.0	23.8	106.4	66.7	54.0	16.7	30.2	82.9	165.9	17.5	4.8	31.4
209	1-5/8	6.8	1.55/64	7-7/16	2	5-1/2	6-3/16	1/2	29/32	3/4	4-9/32	2-55/64	2-1/8	21/32	1-13/64	3-3/8	6-3/4	11/16	3/16	1-9/32
	1-11/16	6.8																		
	1-3/4	6.7																		
	45mm	3.1	47.2	188.9	50.8	139.7	157.2	M12	23.0	19.1	108.7	72.6	54.0	16.7	30.6	85.7	171.5	17.5	4.8	32.5
210	1-15/16	8.5	1-55/64	8-1/8	2-1/4	6	6-11/16	5/8	1-1/64	3/4	4-17/32	3-1/8	2-1/4	21/32	1-13/64	3-11/16	7-3/8	13/16	3/16	1-9/32
	2	8.4																		
	50mm	3.9	47.2	206.4	57.2	152.4	169.9	M16	25.8	19.1	115.1	79.4	57.2	16.7	30.6	93.7	187.3	20.6	4.8	32.5
211	2	12.2	1-59/64	8-7/8	2-5/16	6-3/8	7-7/16	5/8	1-7/32	7/8	4-15/16	3-27/64	2-1/2	45/64	1-7/32	3-15/16	7-7/8	13/16	3/16	1-11/32
	2-3/16	11.8																		
	2-1/4	11.7																		
	55mm	5.6	48.8	225.4	58.7	161.9	188.9	M16	31.0	22.2	125.4	86.9	63.5	17.9	31.0	100.0	200.0	20.6	4.8	34.1
212	2-1/4	17.5	2-7/64	9-1/2	2-3/8	6-7/8	7-15/16	5/8	1-7/32	7/8	5-3/8	3-11/16	2-3/4	49/64	1-11/32	4-1/4	8-1/2	7/8	3/16	1-15/32
	2-7/16	17.2																		
	60mm	7.0	53.6	241.3	60.3	174.6	201.6	M16	31.0	22.2	136.5	93.7	69.9	19.4	34.1	108.0	215.9	22.2	4.8	37.3
214	2-1/2	19.4	2-25/64	10-3/4	2-11/16	7-1/2	8-1/2	3/4	1-5/16	15/16	6-5/64	4	3	7/8	1-33/64	4-7/8	9-3/4	15/16	3/16	1-19/32
	2-11/16	19.3																		
	70mm	8.9	60.7	273.1	68.3	190.5	215.9	M18	33.3	23.8	154.4	101.6	76.2	22.2	38.5	123.8	247.7	23.8	4.8	40.5
215	2-15/16	25.2	2-29/64	11-3/4	2-7/8	8-1/2	9-1/2	7/8	1-7/16	1	6-23/32	4-7/16	3-1/2	57/64	1-43/64	5-1/2	11	1-1/16	3/16	1-5/8
	3	25.0																		
	75mm	10.1	62.3	298.5	73.0	215.9	241.3	M22	36.5	25.4	170.7	112.7	88.9	22.6	42.5	139.7	279.4	27.0	4.8	41.3
215 (GTU)	2-15/16	24.9	2-29/64	11-3/4	2-7/8	8-1/2	9-1/2	7/8	1-7/16	1	6-15/32	4-7/16	3-1/4	57/64	1-43/64	5-1/2	11	1-1/16	3/16	1-5/8
	3 75mm	24.7 11.4	62.3 298.5	73.0 215.9	241.3 241.3	M22	36.5	25.4	164.3	112.7	82.6	22.6	42.5	139.7	279.4	27.0	4.8	41.3		

\* Only 1 pillow block can be dowel pinned per shaft

# R & S Dimensions will vary slightly depending on true shaft diameter

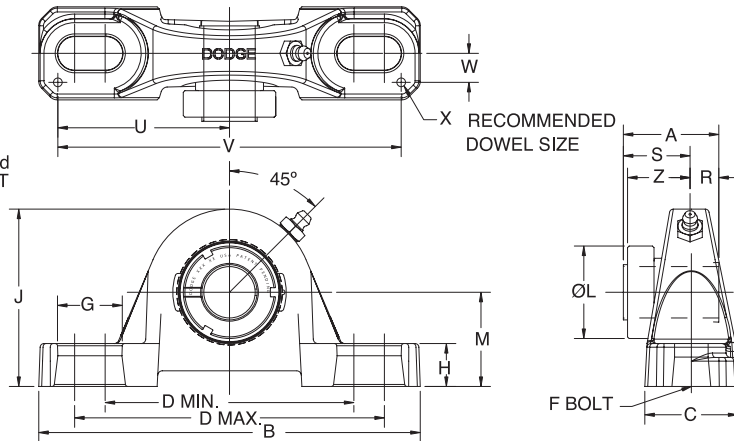
FEATURES/BENEFITS PAGE B2-2	HOW TO ORDER/NOMENCLATURE PAGE B2-4	SELECTION PAGE B2-5	RELATED PRODUCTS PAGE B2-96
--------------------------------	--	------------------------	--------------------------------

# SELECTION/DIMENSIONS



## GRIP TIGHT Adapter Ball Bearings GTB NORMAL DUTY PILLOW BLOCKS

Lube Fitting Thread Size -  
203 Series - 1/4-28 Tapered Thread  
Series 204 and Larger - 1/8-27 NPT



Series	Shaft Size	Complete Unit		Unit without Adapter Sleeve & Lock Nut		Adapter Sleeve & Lock Nut Assembly	
		Part No.	Description	Part No.	Description	Part No.	Description
203 (GT)	1/2	<b>129150</b>	P2B-GT-008	<b>129420</b>	P2B-GT-03	<b>129902</b>	AN-GT-03-008
	5/8	<b>129151</b>	P2B-GT-010			<b>129903</b>	AN-GT-03-010
	17mm	<b>129203</b>	P2B-GT-17M			<b>129942</b>	AN-GT-03-17M
204	3/4	<b>129183</b>	P2B-GTB-012	<b>129433</b>	P2B-GTB-04	<b>129904</b>	AN-GT-04-012
	20mm	<b>129040</b>	P2B-GTB-20M			<b>129943</b>	AN-GT-04-20M
205	7/8	<b>129184</b>	P2B-GTB-014	<b>129434</b>	P2B-GTB-05	<b>129905</b>	AN-GT-05-014
	15/16	<b>129185</b>	P2B-GTB-015			<b>129906</b>	AN-GT-05-015
	1	<b>129186</b>	P2B-GTB-100			<b>129907</b>	AN-GT-05-100
	25mm	<b>129041</b>	P2B-GTB-25M			<b>129944</b>	AN-GT-05-25M
206	1-1/8	<b>129187</b>	P2B-GTB-102	<b>129435</b>	P2B-GTB-06	<b>129908</b>	AN-GT-06-102
	1-3/16	<b>129188</b>	P2B-GTB-103			<b>129909</b>	AN-GT-06-103
	1-1/4	<b>129189</b>	P2B-GTB-104S			<b>129910</b>	AN-GT-06-104S
	30mm	<b>129042</b>	P2B-GTB-30M			<b>129945</b>	AN-GT-06-30M
207	1-1/4	<b>129190</b>	P2B-GTB-104	<b>129436</b>	P2B-GTB-07	<b>129911</b>	AN-GT-07-104
	1-3/8	<b>129191</b>	P2B-GTB-106			<b>129912</b>	AN-GT-07-106
	1-7/16	<b>129192</b>	P2B-GTB-107			<b>129913</b>	AN-GT-07-107
	35mm	<b>129043</b>	P2B-GTB-35M			<b>129946</b>	AN-GT-07-35M

@ Assembled to order

FEATURES/BENEFITS PAGE B2-2	HOW TO ORDER/NOMENCLATURE PAGE B2-4	SELECTION PAGE B2-5	RELATED PRODUCTS PAGE B2-96
--------------------------------	--	------------------------	--------------------------------



# SELECTION/DIMENSIONS



## GRIP TIGHT Adapter Ball Bearings GTB NORMAL DUTY PILLOW BLOCKS

Bearing Quick Reference

E-Z KLEEN

GRIP TIGHT Adapter Ball Bearing

Set Screw Ball Bearing

Eccentric Collar Ball Bearing

Series	Shaft Size	Weight lbs kg	A	B	C	D		F Bolt Dia.	G	H	J	L	M	R#	S#	U	V	W	X*	Z
						min.	max.													
203	1/2	1.6	1-19/64	5	1-13/64	3-1/4	4-1/16	3/8	27/32	25/64	2-5/32	1-13/32	1-1/16	13/32	57/64	2-1/4	4-1/2	3/8	1/8	59/64
	5/8 17mm	0.6	32.9	127.0	306	82.6	103.2	M10	21.4	9.9	54.8	35.7	27.0	10.3	22.6	57.2	114.3	9.5	3.2	23.4
204	3/4	2.1	1-15/32	5-1/4	1-21/64	3-3/8	4-3/16	3/8	27/32	29/64	2-31/64	1-1/2	1-1/4	31/64	63/64	2-1/4	4-1/2	1/2	1/8	1-1/64
	20mm	1.0	37.3	133.4	33.7	85.7	106.4	M10	21.4	11.9	63.1	38.1	31.8	12.3	25.0	57.2	114.3	12.7	3.2	25.8
205	7/8	2.3	1-29/64	5-1/2	1-13/32	3-11/16	4-1/2	3/8	27/32	29/64	2-21/32	1-51/64	1-5/16	1/2	61/64	2-1/2	5	1/2	3/16	1-1/8
	15/16	2.3																		
	1 25mm	2.3 1.1	36.9	139.7	35.7	93.7	114.3	M10	21.4	11.9	67.5	45.6	33.3	12.8	24.2	63.5	127.0	12.7	4.8	28.6
206	1-1/8	3.8	1-39/64	6-1/4	1-47/64	4-1/4	5	1/2	15/16	9/16	3-3/16	2-5/64	1-9/16	17/32	1-5/64	2-7/8	5-3/4	9/16	3/16	1-9/64
	1-3/16	3.7																		
	1-1/4 30mm	3.7 1.7	40.9	158.8	44.1	108.0	127.0	M12	23.8	15.9	81.0	52.8	39.7	13.5	27.4	73.0	146.1	14.3	4.8	29.0
207	1-1/4	4.9	1-5/8	6-1/2	1-47/64	4-11/16	5-7/16	1/2	15/16	41/64	3-11/16	2-3/8	1-13/16	9/16	1-1/16	2-29/32	5-13/16	9/16	3/16	1-15/64
	1-3/8	4.9																		
	1-7/16 35mm	4.8 2.2	41.3	165.1	44.1	119.1	138.1	M12	23.8	16.7	93.7	60.3	46.0	14.3	27.0	73.8	147.6	14.3	4.8	31.4

\* Only 1 pillow block can be dowel pinned per shaft

# R & S Dimensions will vary slightly depending on true shaft diameter

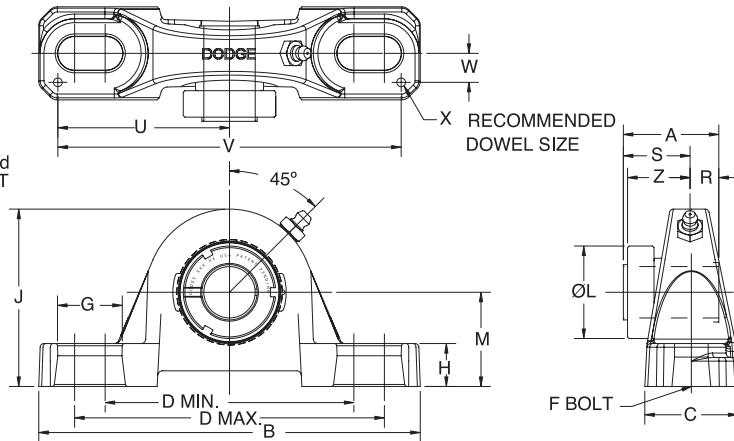
FEATURES/BENEFITS PAGE B2-2	HOW TO ORDER/NOMENCLATURE PAGE B2-4	SELECTION PAGE B2-5	RELATED PRODUCTS PAGE B2-96
--------------------------------	--	------------------------	--------------------------------

# SELECTION/DIMENSIONS



## GRIP TIGHT Adapter Ball Bearings GTB NORMAL DUTY PILLOW BLOCKS

Lube Fitting Thread Size -  
203 Series - 1/4-28 Tapered Thread  
Series 204 and Larger - 1/8-27 NPT



Series	Shaft Size	Complete Unit		Unit without Adapter Sleeve & Lock Nut		Adapter Sleeve & Lock Nut Assembly	
		Part No.	Description	Part No.	Description	Part No.	Description
208	1-1/2	<b>129193</b>	P2B-GTB-108	<b>129437</b>	P2B-GTB-08	<b>129914</b>	AN-GT-08-108
	1-5/8	<b>129372</b>	P2B-GTB-110			<b>129955</b>	AN-GT-08-110
	40mm	<b>129210</b>	P2B-GTB-40M			<b>129947</b>	AN-GT-08-40M
209	1-5/8	<b>129194</b>	P2B-GTB-110L	<b>129438</b>	P2B-GTB-09	<b>129915</b>	AN-GT-09-110L
	1-11/16	<b>129195</b>	P2B-GTB-111			<b>129916</b>	AN-GT-09-111
	1-3/4	<b>129196</b>	P2B-GTB-112			<b>129917</b>	AN-GT-09-112
	45mm	<b>129044</b>	P2B-GTB-45M			<b>129948</b>	AN-GT-09-45M
210	1-15/16	<b>129197</b>	P2B-GTB-115	<b>129439</b>	P2B-GTB-10	<b>129918</b>	AN-GT-10-115
	2	<b>129198</b>	P2B-GTB-200			<b>129919</b>	AN-GT-10-200
	50mm	<b>129045</b>	P2B-GTB-50M			<b>129949</b>	AN-GT-10-50M
211	2	<b>129199</b>	P2B-GTB-200L	<b>129440</b>	P2B-GTB-11	<b>129932</b>	AN-GTM-11-200
	2-3/16	<b>129200</b>	P2B-GTB-203			<b>129920</b>	AN-GT-11-203
	2-1/4	<b>129377</b>	P2B-GTB-204			<b>129956</b>	AN-GT-11-204
	55mm	<b>129046</b>	P2B-GTB-55M			<b>129950</b>	AN-GT-11-55M
212	2-1/4	<b>129201</b>	P2B-GTB-204L	<b>129441</b>	P2B-GTB-12	<b>129934</b>	AN-GTM-12-204
	2-7/16	<b>129202</b>	P2B-GTB-207			<b>129921</b>	AN-GT-12-207
	60mm	<b>129047</b>	P2B-GTB-60M			<b>129951</b>	AN-GT-12-60M
215	2-15/16	<b>062741</b>	P2B-GTB-215	<b>062742</b>	P2B-GTB-15	<b>129923</b>	AN-GT-15-215
	3	@	P2B-GTB-300			<b>129987</b>	AN-GT-15-300
	75mm	@	P2B-GTB-75M			<b>129953</b>	AN-GT-15-75M

@ Assembled to order

FEATURES/BENEFITS PAGE B2-2	HOW TO ORDER/NOMENCLATURE PAGE B2-4	SELECTION PAGE B2-5	RELATED PRODUCTS PAGE B2-96
--------------------------------	--	------------------------	--------------------------------

# SELECTION/DIMENSIONS



Bearing Quick Reference

E-Z KLEEN

GRIP TIGHT Adapter Ball Bearing

Set Screw Ball Bearing

Eccentric Collar Ball Bearing

Series	Shaft Size	Weight lbs kg	A	B	C	D		F Bolt Dia.	G	H	J	L	M	R#	S#	U	V	W	X*	Z
						min.	max.													
208	1-1/2	6.0	1-27/32	7-1/4	1-15/16	5-3/16	5-7/8	1/2	29/32	3/4	4	2-5/8	1-15/16	21/32	1-3/16	3-17/64	6-17/32	11/16	3/16	1-15/64
	1-5/8	5.9																		
	40mm	2.7	46.8	184.2	49.2	131.8	149.2	M12	23.0	19.1	101.6	66.7	49.2	16.7	30.2	82.9	165.9	17.5	4.8	31.4
209	1-5/8	6.8	1-55/64	7-7/16	2	5-1/2	6-3/16	1/2	29/32	11/16	4-7/32	2-55/64	2-1/16	21/32	1-13/64	3-3/8	6-3/4	11/16	3/16	1-9/32
	1-11/16	6.8																		
	1-3/4	6.7																		
	45mm	3.1	47.2	188.9	50.8	139.7	157.2	M12	23.0	17.5	107.2	72.6	52.4	16.7	30.6	85.7	171.5	17.5	4.8	32.5
210	1-15/16	8.5	1-55/64	8-1/8	2-1/4	6	6-11/16	5/8	1-1/64	11/16	4-15/32	3-1/8	2-3/16	21/32	1-13/64	3-11/16	7-3/8	13/16	3/16	1-9/32
	2	8.4																		
	50mm	3.9	47.2	206.4	57.2	152.4	169.9	M16	26.2	17.5	113.5	79.4	55.6	16.7	30.6	93.7	187.3	20.6	4.8	32.5
211	2	12.2	1-59/64	8-7/8	2-5/16	6-3/8	7-7/16	5/8	1-7/32	51/64	4-7/8	3-27/64	2-7/16	45/64	1-7/32	3-15/16	7-7/8	13/16	3/16	1-11/32
	2-3/16	11.9																		
	2-1/4	11.8																		
	55mm	5.6	48.8	225.4	58.7	161.9	188.9	M16	31.0	20.2	123.8	86.9	61.9	17.9	31.0	100.0	200.0	20.6	4.8	34.1
212	2-1/4	17.5	2-7/64	9-1/2	2-3/8	6-7/8	7-15/16	5/8	1-7/32	51/64	5-5/16	3-11/16	2-11/16	49/64	1-11/32	4-1/4	8-1/2	7/8	3/16	1-15/32
	2-7/16																			
	60mm	7.0	53.6	241.3	60.3	174.6	201.6	M16	31.0	20.2	134.9	93.7	68.3	19.4	34.1	108.0	215.9	22.2	4.8	37.3
215	2-15/16	24.9	2-29/64	11-3/4	2-7/8	8-1/2	9-1/2	7/8	1-7/16	1-3/64	6-17/32	4-7/16	3-5/16	57/64	1-9/16	5-1/2	11	1-1/16	3/16	1-5/8
	3	24.7																		
	75mm	11.4	62.3	298.5	73.0	215.9	241.3	M22	36.5	26.6	165.9	112.7	84.1	22.6	39.7	139.7	279.4	27.0	4.8	41.3

\* Only 1 pillow block can be dowel pinned per shaft

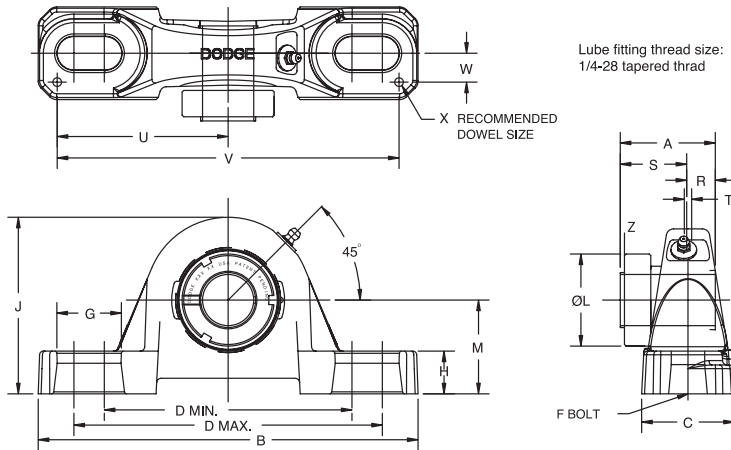
# R & S Dimensions will vary slightly depending on true shaft diameter

FEATURES/BENEFITS PAGE B2-2	HOW TO ORDER/NOMENCLATURE PAGE B2-4	SELECTION PAGE B2-5	RELATED PRODUCTS PAGE B2-96
--------------------------------	--	------------------------	--------------------------------

# SELECTION/DIMENSIONS



## GRIP TIGHT Adapter Ball Bearings GTH-E EXPANSION PILLOW BLOCKS



Series	Shaft Size	Complete Unit		Unit without Adapter Sleeve & Lock Nut		Adapter Sleeve & Lock Nut Assembly	
		Part Number	Description	Part Number	Description	Part Number	Description
205	1	@	P2B-GTH-100-E	065777	P2B-GTH-05-E	129907	AN-GT-05-100
	25mm	065776	P2B-GTH-25M-E			129944	AN-GT-05-25M
206	1-3/16	130691	P2B-GTH-103-E	130697	P2B-GTH-06-E	129099	AN-GT-06-103
	1-1/4	068230	P2B-GTH-104S-E			199910	AN-GT-06-104S
	30mm	068872	P2B-GTH-30M-E			129945	AN-GT-06-30M
207	1-7/16	130692	P2B-GTH-107-E	130698	P2B-GTH-07-E	129913	AN-GT-07-107
	35mm	065598	P2B-GTH-35M-E			129946	AN-GT-07-35M
209	1-11/16	130693	P2B-GTH-111-E	130699	P2B-GTH-09-E	129916	AN-GT-09-111
	1 3/4	@	P2B-GTH-112-E			129917	AN-GT-09-112
	45mm	064874	P2B-GTH-45M-E			129948	AN-GT-09-45M
210	1-15/16	130694	P2B-GTH-115-E	130700	P2B-GTH-10-E	129918	AN-GT-10-115
	2	@	P2B-GTH-200-E			129919	AN-GT-10-200
	50mm	064794	P2B-GTH-50M-E			129949	AN-GT-10-50M
211	2-3/16	130695	P2B-GTH-203-E	130701	P2B-GTH-11-E	129920	AN-GT-11-203
	2 1/4	130689	P2B-GTH-204-E			129956	AN-GT-11-204
	55mm	064875	P2B-GTH-55M-E			129950	AN-GT-11-55M
212	2-7/16	130696	P2B-GTH-207-E	130702	P2B-GTH-12-E	129921	AN-GT-12-207
	60mm	@	P2B-GTH-60M-E			129951	AN-GT-12-60M

Use GTM Medium Duty Pillow Blocks for non-expansion units.

@ Assembled to order

FEATURES/BENEFITS PAGE B2-2	HOW TO ORDER/NOMENCLATURE PAGE B2-4	SELECTION PAGE B2-5	RELATED PRODUCTS PAGE B2-96
--------------------------------	--	------------------------	--------------------------------

# SELECTION/DIMENSIONS



## GRIP TIGHT Adapter Ball Bearings GTH-E EXPANSION PILLOW BLOCKS

Series	Shaft Size	Weight lbs kg	A	B	C	D		F Bolt Dia.	G	H	J
						min.	max.				
205	1	3.7	1-29/64	6-1/4	1-47/64	4-1/4	5	1/2	15/16	3/4	3-5/16
	25mm	1.7	36.9	158.8	44.1	108.0	127.0	M12	23.8	19.1	84.1
206	1-3/16	5.0	1-39/64	6-7/8	2	4-11/16	5-7/16	1/2	1	11/16	3-13/16
	1-1/4	5.0									
	30mm	1.5	40.9	174.6	50.8	119.1	138.1	M12	25.4	17.5	96.8
207	1-7/16	6.9	1-5/8	7-15/16	2-1/32	5-1/16	6-5/16	1/2	1-3/16	3/4	4-3/16
	35mm	2.1	41.3	201.6	51.6	128.6	160.3	M12	30.2	19.1	106.4
209	1-11/16	9.2	1-55/64	8-1/8	2-3/8	6	6-1/2	5/8	15/16	3/4	4-9/16
	1-3/4	9.2									
	45mm	2.8	47.2	206.4	60.3	152.4	165.1	M12	23.8	19.1	115.9
210	1-15/16	10.8	1-55/64	9-1/2	2-1/2	6	7-1/2	5/8	1-7/16	7/8	5-3/32
	2	10.8									
211	50mm	3.3	47.2	241.3	63.5	152.4	190.5	M16	36.5	22.2	129.4
	2-3/16	15.7	1-59/64	10-1/4	3	6-5/8	7-7/8	5/8	1-7/16	1-1/16	5-5/8
	2-1/4	15.7									
212	55mm	4.8	48.8	260.4	76.2	168.3	200.0	M16	36.5	27.0	142.9
	2-7/16	20.1	2-7/64	11-1/4	3-1/4	7-3/16	8-13/16	3/4	1-5/8	1-1/16	6-1/4
	60mm	6.1	53.6	285.8	82.6	182.6	223.8	M18	41.3	27.0	158.8

Series	Shaft Size	L	M	R#	S#	T Total Expansion	U	V	W	X @	Z
205	1	1-51/64	1-11/16	1/2	61/64	5/32	2-7/8	5-3/4	9/16	3/16	1-1/64
	25mm	45.6	42.9	12.9	24.2	4.0	73.0	146.1	14.3	4.8	25.8
206	1-3/16	2-5/64	1-7/8	17/32	1-5/64	3/16	3-1/8	6-1/4	11/16	3/16	1-1/8
	1-1/4										
	30mm	52.8	47.6	13.5	27.4	4.8	79.4	158.8	17.5	4.8	28.6
207	1-7/16	2-3/8	2-1/8	9/16	1-1/16	3/16	3-11/16	7-3/8	23/32	3/16	1-9/64
	35mm	60.3	54.0	14.3	27.0	4.8	93.7	187.3	18.3	4.8	29.0
209	1-11/16	2-55/64	2-1/4	21/32	1-13/64	1/4	3-11/16	7-3/8	13/16	3/16	1-9/32
	1-3/4										
	45mm	72.6	56.4	16.7	30.6	28.6	6.4	93.7	187.3	20.6	32.5
210	1-15/16	3-1/8	2-1/2	21/32	1-13/64	1/4	4-3/8	8-3/4	7/8	3/16	1-9/32
	2										
211	50mm	79.4	63.5	16.7	30.6	6.4	111.1	222.3	22.2	4.8	32.5
	2-3/16	3-27/64	2-3/4	45/64	1-7/32	1/4	4-3/4	9-1/2	1-1/8	3/16	1-11/32
	2-1/4										
212	55mm	86.9	69.9	17.9	31.0	6.4	120.7	241.3	28.6	4.8	34.1
	2-7/16	3-11/16	3	49/64	1-11/32	1/4	5-1/4	10-1/2	1-1/4	3/16	1-15/32
	60mm	93.7	76.2	19.4	34.1	6.4	133.4	266.7	31.8	4.8	37.3

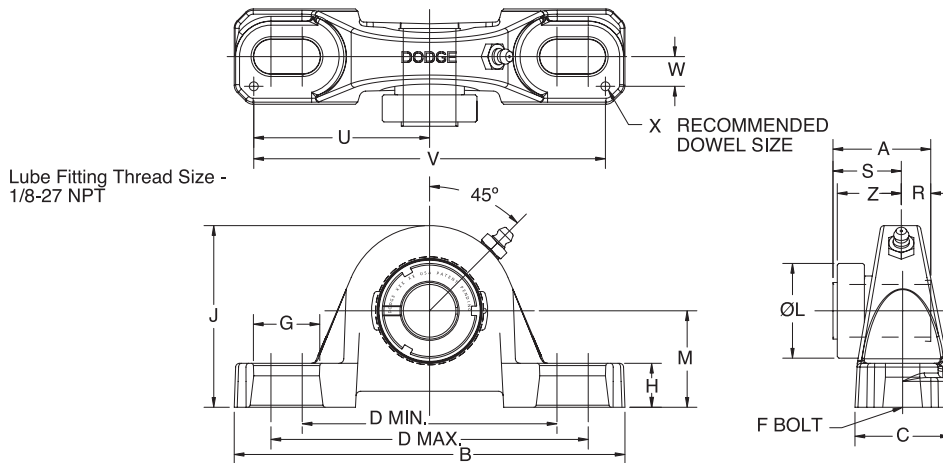
# R & S dimensions will vary slightly depending on true shaft diameter.  
@ Only 1 pillow block can be dowel pinned per shaft

FEATURES/BENEFITS PAGE B2-2	HOW TO ORDER/NOMENCLATURE PAGE B2-4	SELECTION PAGE B2-5	RELATED PRODUCTS PAGE B2-96
--------------------------------	--	------------------------	--------------------------------

# SELECTION/DIMENSIONS



## GRIP TIGHT Adapter Ball Bearings GTM MEDIUM DUTY PILLOW BLOCKS



Series	Shaft Size	Complete Unit		Unit Without Adapter & Nut		Adapter & Nut Assembly	
		Part No.	Description	Part No.	Description	Part No.	Description
205	3/4	<b>129048</b>	P2B-GTM-012	<b>129422</b>	P2B-GT-05	<b>129924</b>	AN-GTM-05-012
206	1 25mm	<b>129217</b>	P2B-GTM-100	<b>129419</b>	P2B-GTU-06	<b>129925</b>	AN-GTM-06-100
		<b>136258</b>	P2B-GTM-25M			<b>129957</b>	AN-GTM-06-25M
206 (GTMU)	1 25mm	<b>129381</b>	P2B-GTMU-100	<b>129385</b>	P2B-GTMU-06	<b>129925</b>	AN-GTM-06-100
		@	P2B-GTMU-25M			<b>129957</b>	AN-GTM-06-25M
207	1-3/16	<b>129218</b>	P2B-GTM-103	<b>129424</b>	P2B-GT-07	<b>129926</b>	AN-GTM-07-103
	1-1/4	<b>129161</b>	P2B-GT-104			<b>129911</b>	AN-GT-07-104
	30mm	<b>129049</b>	P2B-GTM-30M			<b>129954</b>	AN-GTM-07-30M
208	1-7/16	<b>129219</b>	P2B-GTM-107	<b>129425</b>	P2B-GT-08	<b>129927</b>	AN-GTM-08-107
	35mm	<b>136259</b>	P2B-GTM-35M			<b>129958</b>	AN-GTM-08-35M
209	1-1/2	<b>129220</b>	P2B-GTM-108	<b>129426</b>	P2B-GT-09	<b>129928</b>	AN-GTM-09-108
	40mm	<b>136260</b>	P2B-GTM-40M			<b>129959</b>	AN-GTM-09-40M
210	1-11/16	<b>129221</b>	P2B-GTM-111	<b>129427</b>	P2B-GT-10	<b>129929</b>	AN-GTM-10-111
	1-3/4	<b>129222</b>	P2B-GTM-112			<b>129930</b>	AN-GTM-10-112
	45mm	<b>136261</b>	P2B-GTM-45M			<b>129960</b>	AN-GTM-10-45M
210 (GTMU)	1-11/16	<b>129383</b>	P2B-GTMU-111	<b>129387</b>	P2B-GTU-10	<b>129929</b>	AN-GTM-10-111
	1-3/4	@	P2B-GTMU-112			<b>129930</b>	AN-GTM-10-112
	45mm	@	P2B-GTMU-45M			<b>129960</b>	AN-GTM-10-45M

@ Assembled to order

FEATURES/BENEFITS PAGE B2-2	HOW TO ORDER/NOMENCLATURE PAGE B2-4	SELECTION PAGE B2-5	RELATED PRODUCTS PAGE B2-96
--------------------------------	--	------------------------	--------------------------------

# SELECTION/DIMENSIONS



## GRIP TIGHT Adapter Ball Bearings GTM MEDIUM DUTY PILLOW BLOCKS

Series	Shaft Size	Weight lbs kg	A	B	C	D		F Bolt Dia.	G	H	J	L	M	R#	S#	U	V	W	X@	Z
						min.	max.													
205	3/4	2.4	1-29/64	5-1/2	1-13/32	3-11/16	4-1/2	3/8	27/32	37/64	2-5/32	1-51/64	1-7/16	1/2	61/64	2-1/2	5	1/2	3/16	1-1/64
		36.9	139.7	35.7	93.7	114.3	M10	21.4	14.7	57.8	45.6	36.5	12.7	24.2	63.5	127.0	12.7	4.8	25.4	
206	1 25mm	4.2	1-39/64	6-1/4	1-47/64	4-1/4	5	1/2	15/16	5/8	3-1/4	2-5/64	1-11/16	17/32	1-5/64	2-7/8	5-3/4	9/16	3/16	1-1/8
		1.7	40.9	158.8	44.1	108.0	127.0	M12	23.8	15.9	82.6	52.8	42.9	13.5	27.4	73.0	146.1	14.3	4.8	28.6
206 (GTMU)	1 25mm	4.2	1-39/64	6-1/4	1-47/64	4-1/4	5	1/2	15/16	11/16	3-5/16	2-5/64	1-3/4	17/32	1-5/64	2-7/8	5-3/4	9/16	3/16	1-1/8
		1.7	40.9	158.8	44.1	108.0	127.0	M12	23.8	17.5	84.1	52.8	44.5	13.5	27.4	73.0	146.1	14.3	4.8	28.6
207	1-3/16	5.1	1-5/8	6-1/2	1-47/64	4-11/16	5-7/16	1/2	15/16	45/64	3-3/4	2-3/8	1-7/8	9/16	1-1/16	2-29/32	5-13/16	9/16	3/16	1-9/64
	1-1/4	4.9																		
	30mm	2.2	41.3	165.1	44.1	119.1	138.1	M12	23.8	17.9	95.3	60.3	47.6	14.3	27.0	73.8	147.6	14.3	4.8	29.0
208	1-7/16	7.2	1-27/32	7-1/4	1-15/16	5-3/16	5-7/8	1/2	29/32	15/16	4-3/16	2-5/8	2-1/8	21/32	1-3/16	3-17/64	6-17/32	11/16	3/16	1-15/64
	35mm	2.7	46.8	184.2	49.2	131.8	149.2	M12	23.0	23.8	106.4	66.7	54.0	16.7	30.2	82.9	165.9	17.5	4.8	31.4
209	1-1/2	9.2	1-55/64	7-7/16	2	5-1/2	6-3/16	1/2	29/32	3/4	4-9/32	2-55/64	2-1/8	21/32	1-13/64	3-3/8	6-3/4	11/16	3/16	1-9/32
	40mm	3.1	47.2	188.9	50.8	139.7	157.2	M12	23.0	19.1	108.7	72.6	54.0	16.7	30.6	85.7	171.5	17.5	4.8	32.5
210	1-11/16	10.1	1-55/64	8-1/8	2-1/4	6	6-11/16	5/8	1-1/64	3/4	4-17/32	3-1/8	2-1/4	21/32	1-13/64	3-11/16	7-3/8	13/16	3/16	1-9/32
	1-3/4	10.1																		
210 (GTMU)	45mm	3.9	47.2	206.4	57.2	152.4	169.9	M16	25.8	19.1	115.1	79.4	57.2	16.7	30.6	93.7	187.3	20.6	4.8	32.5
	1-11/16	10.1	1-55/64	8-1/8	2-1/4	6	6-11/16	5/8	1-1/64	13/16	4-19/32	3-1/8	2-5/16	21/32	1-13/64	3-11/16	7-3/8	13/16	3/16	1-9/32
	1-3/4	10.1																		
	45mm	3.9	47.2	206.4	57.2	152.4	169.9	M16	25.8	19.1	116.7	79.4	58.7	16.7	30.6	93.7	187.3	20.6	4.8	32.5

#R & S dimensions will vary slightly depending on true shaft diameter

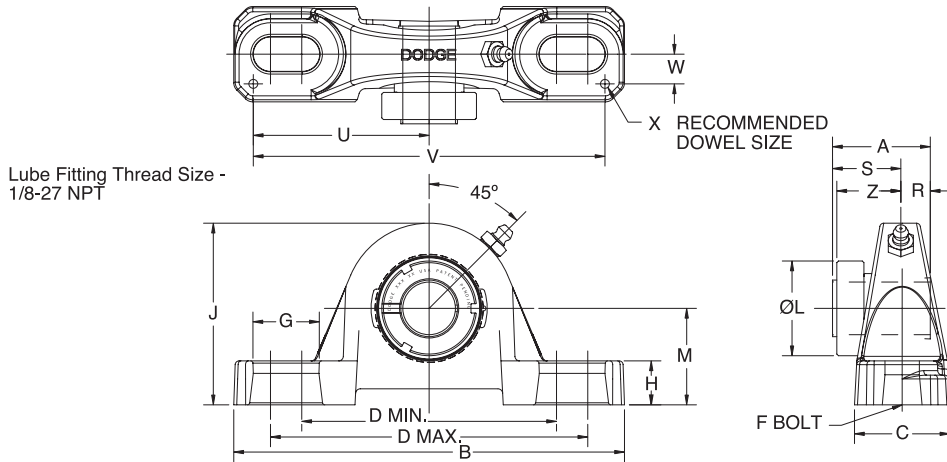
@ Only 1 pillow block can be dowel pinned per shaft

FEATURES/BENEFITS PAGE B2-2	HOW TO ORDER/NOMENCLATURE PAGE B2-4	SELECTION PAGE B2-5	RELATED PRODUCTS PAGE B2-96
--------------------------------	--	------------------------	--------------------------------

# SELECTION/DIMENSIONS



## GRIP TIGHT Adapter Ball Bearings GTM MEDIUM DUTY PILLOW BLOCKS



Series	Shaft Size	Complete Unit		Unit Without Adapter & Nut		Adapter & Nut Assembly	
		Part No.	Description	Part No.	Description	Part No.	Description
211	1-15/16	<b>129223</b>	P2B-GTM-115	<b>129428</b>	P2B-GT-11	<b>129931</b>	AN-GTM-11-115
	2	<b>129224</b>	P2B-GTM-200			<b>129932</b>	AN-GTM-11-200
	50mm	<b>136262</b>	P2B-GTM-50M			<b>129961</b>	AN-GTM-11-50M
212	2-3/16	<b>129225</b>	P2B-GTM-203	<b>129429</b>	P2B-GT-12	<b>129933</b>	AN-GTM-12-203
	2-1/4	<b>129226</b>	P2B-GTM-204			<b>129934</b>	AN-GTM-12-204
	55mm	<b>136263</b>	P2B-GTM-55M			<b>129962</b>	AN-GTM-12-55M
214	2-7/16	<b>129227</b>	P2B-GTM-207	<b>129430</b>	P2B-GT-14	<b>129935</b>	AN-GTM-14-207
	2-1/2	<b>129228</b>	P2B-GTM-208			<b>129936</b>	AN-GTM-14-208
	60mm	<b>068071</b>	P2B-GTM-60M			<b>064497</b>	AN-GTM-14-60M
	65mm	<b>136264</b>	P2B-GTM-65M			<b>129963</b>	AN-GTM-14-65M
215	2-11/16	<b>129229</b>	P2B-GTM-211	<b>129431</b>	P2B-GT-15	<b>129937</b>	AN-GTM-15-211
	70mm	<b>136265</b>	P2B-GTM-70M			<b>129964</b>	AN-GTM-15-70M
216	2-15/16	<b>129230</b>	P2B-GTM-215	<b>129453</b>	P2B-GT-16	<b>129938</b>	AN-GTM-16-215
	3	<b>129231</b>	P2B-GTM-300			<b>129939</b>	AN-GTM-16-300
	75mm	<b>136266</b>	P2B-GTM-75M			<b>129965</b>	AN-GTM-16-75M
218	3-7/16	<b>129232</b>	P2B-GTM-307	<b>129454</b>	P2B-GT-18	<b>129940</b>	AN-GTM-18-307
	3-1/2	<b>129233</b>	P2B-GTM-308			<b>129941</b>	AN-GTM-18-308
	85mm	<b>136267</b>	P2B-GTM-85M			<b>129966</b>	AN-GTM-18-85M

@ Assembled to order

FEATURES/BENEFITS PAGE B2-2	HOW TO ORDER/NOMENCLATURE PAGE B2-4	SELECTION PAGE B2-5	RELATED PRODUCTS PAGE B2-96
--------------------------------	--	------------------------	--------------------------------



# SELECTION/DIMENSIONS



## GRIP TIGHT Adapter Ball Bearings GTM MEDIUM DUTY PILLOW BLOCKS

Bearing Quick Reference

E-Z KLEEN

GRIP TIGHT Adapter Ball Bearing

Set Screw Ball Bearing

Eccentric Collar Ball Bearing

Series	Shaft Size	Weight lbs kg	A	B	C	D		F Bolt Dia.	G	H	J	L	M	R#	S#	U	V	W	X@	Z
						min.	max.													
211	1-15/16	12.3	1-59/64	8-7/8	2-5/16	6-3/8	7-7/16	5/8	1-7/32	7/8	4-15/16	3-27/64	2-1/2	45/64	1-7/32	3-15/16	7-7/8	13/16	3/16	1-11/32
	2 50mm	12.2 5.6	48.8	225.4	58.7	161.9	188.9	M16	31.0	22.2	125.4	86.9	63.5	17.9	31.0	100.0	200.0	20.6	4.8	34.1
212	2-3/16	17.5	2-7/64	9-1/2	2-3/8	6-7/8	7-15/16	5/8	1-7/32	7/8	5-3/8	3-11/16	2-3/4	49/64	1-11/32	4-1/4	8-1/2	7/8	3/16	1-15/32
	2-1/4 55mm	17.5 7.0	53.6	241.3	60.3	174.6	201.6	M16	31.0	22.2	136.5	93.7	69.9	19.4	34.1	108.0	215.9	22.2	4.8	37.3
214	2-7/16	19.4	2-25/64	10-3/4	2-11/16	7-1/2	8-1/2	3/4	1-5/16	15/16	6-5/64	4	3	7/8	1-33/64	4-7/8	9-3/4	15/16	3/16	1-19/32
	2-1/2 60mm 65mm	19.4 9.0 8.9	60.7	273.1	68.3	190.5	215.9	M18	33.3	23.8	154.4	101.6	76.2	22.2	38.5	123.8	247.7	23.8	4.8	40.5
215	2-11/16	24.9	2-29/64	11-3/4	2-7/8	8-1/2	9-1/2	7/8	1-7/16	1	6-23/32	4-7/16	3-1/2	57/64	1-9/16	5-1/2	11	1-1/16	3/16	1-5/8
	70mm	10.1	62.3	298.5	73.0	215.9	241.3	M22	36.5	25.4	170.7	112.7	88.9	22.6	39.7	139.7	279.4	27.0	4.8	41.3
216	2-15/16	25.4	2-11/16	11-3/4	3	8-1/2	9-1/2	7/8	1-7/16	1-1/4	6-31/32	4-11/16	3-1/2	29/32	1-55/64	5-1/2	11	1-3/32	3/16	1-5/8
	3 75mm	10.3	69.3	298.5	76.2	215.9	241.3	M22	36.5	31.8	177.0	119.1	88.9	23.0	47.2	139.7	279.4	27.8	4.8	41.3
218	3-7/16	34.9	2-51/64	14	3-3/8	10-5/16	11-5/8	7/8	1-19/32	1-5/16	8	5-3/16	4	1	1-51/64	6-9/16	13-1/8	1-3/16	3/16	1-45/64
	3-1/2 85mm	14.1	71.0	355.6	85.7	261.9	295.3	M22	40.5	33.3	203.2	131.8	101.6	25.3	45.6	166.7	333.4	30.2	4.8	43.3

#R & S dimensions will vary slightly depending on true shaft diameter

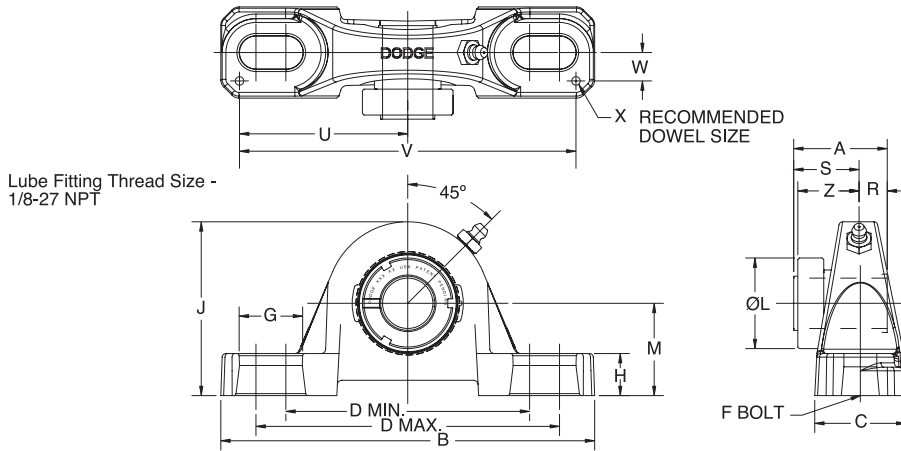
@ Only 1 pillow block can be dowel pinned per shaft

FEATURES/BENEFITS PAGE B2-2	HOW TO ORDER/NOMENCLATURE PAGE B2-4	SELECTION PAGE B2-5	RELATED PRODUCTS PAGE B2-96
--------------------------------	--	------------------------	--------------------------------

# SELECTION/DIMENSIONS



## GRIP TIGHT Adapter Ball Bearings GTMAH AIR HANDLING MEDIUM DUTY PILLOW BLOCKS



Series	Shaft Size	Complete Unit		Unit Without Adapter & Nut		Adapter & Nut Assembly	
		Part No.	Description	Part No.	Description	Part No.	Description
205	3/4	@	P2B-GTMAH-012	<b>129443</b>	P2B-GTAH-05	<b>129924</b>	AN-GTM-05-012
206	1 25mm	<b>129234</b>	P2B-GTMAH-100	<b>129452</b>	P2B-GTUAH-06	<b>129925</b>	AN-GTM-06-100
		@	P2B-GTMAH-25M			<b>129957</b>	AN-GTM-06-25M
206 (GTMU)	1 25mm	<b>129382</b>	P2B-GTMUAH-100	<b>129386</b>	P2B-GTMUAH-06	<b>129925</b>	AN-GTM-06-100
		@	P2B-GTMUAH-25M			<b>129957</b>	AN-GTM-06-25M
207	1-3/16 1-1/4 30mm	<b>129235</b>	P2B-GTMAH-103	<b>129444</b>	P2B-GTAH-07	<b>129926</b>	AN-GTM-07-103
		@	P2B-GTAH-104			<b>129911</b>	AN-GT-07-104
208	1-7/16 35mm	<b>068871</b>	P2B-GTMAH-30M	<b>129445</b>	P2B-GTAH-08	<b>129954</b>	AN-GTM-07-30M
		<b>129236</b>	P2B-GTMAH-107			<b>129927</b>	AN-GTM-08-107
209	1-1/2 40mm	<b>065597</b>	P2B-GTMAH-35M	<b>129446</b>	P2B-GTAH-09	<b>129958</b>	AN-GTM-08-35M
		@	P2B-GTMAH-108			<b>129928</b>	AN-GTM-09-108
210	1-11/16 1-3/4 45mm	<b>068662</b>	P2B-GTMAH-40M	<b>129447</b>	P2B-GTAH-10	<b>129959</b>	AN-GTM-09-40M
		<b>129237</b>	P2B-GTMAH-111			<b>129929</b>	AN-GTM-10-111
210 (GTMU)	1-3/4 45mm	@	P2B-GTMAH-112	<b>129388</b>	P2B-GTUAH-10	<b>129930</b>	AN-GTM-10-112
		<b>068680</b>	P2B-GTMAH-45M			<b>129960</b>	AN-GTM-10-45M
210 (GTMU)	1-11/16 1-3/4 45mm	<b>129384</b>	P2B-GTMUAH-111	<b>129388</b>	P2B-GTUAH-10	<b>129929</b>	AN-GTM-10-111
		@	P2B-GTMUAH-112			<b>129930</b>	AN-GTM-10-112
		@	P2B-GTMUAH-45M			<b>129960</b>	AN-GTM-10-45M

@ Assembled to order

FEATURES/BENEFITS PAGE B2-2	HOW TO ORDER/NOMENCLATURE PAGE B2-4	SELECTION PAGE B2-5	RELATED PRODUCTS PAGE B2-96
--------------------------------	--	------------------------	--------------------------------

# SELECTION/DIMENSIONS



## GRIP TIGHT Adapter Ball Bearings GTMAH AIR HANDLING MEDIUM DUTY PILLOW BLOCKS

Bearing Quick Reference

E-Z KLEEN

GRIP TIGHT Adapter Ball Bearing

Set Screw Ball Bearing

Eccentric Collar Ball Bearing

Series	Shaft Size	Weight lbs kg	A	B	C	D		F Bolt Dia.	G	H	J	L	M	R#	S#	U	V	W	X	Z
						min.	max.													
205	3/4	2.4	1-29/64	5-1/2	1-13/32	3-11/16	4-1/2	3/8	27/32	37/64	2-5/32	1-51/64	1-7/16	1/2	61/64	2-1/2	5	1/2	3/16	1-1/64
206	1	4.2	1-39/64	6-1/4	1-47/64	4-1/4	5	1/2	15/16	5/8	3-1/4	2-5/64	1-5/8	17/32	1-5/64	2-7/8	5-3/4	9/16	3/16	1-1/8
	25mm	1.7	40.9	158.8	44.1	108.0	127.0	M12	23.8	15.9	82.6	52.8	41.3	13.5	27.4	73.0	146.1	14.3	4.8	28.6
206 (GTMU)	1	4.2	1-39/64	6-1/4	1-47/64	4-1/4	5	1/2	15/16	11/16	3-5/16	2-5/64	1-3/4	17/32	1-5/64	2-7/8	5-3/4	9/16	3/16	1-1/8
	25mm	1.7	40.9	158.8	44.1	108.0	127.0	M12	23.8	17.5	84.1	52.8	44.5	13.5	27.4	73.0	146.1	14.3	4.8	28.6
207	1-3/16	5.1	1-5/8	6-1/2	1-47/64	4-11/16	5-7/16	1/2	15/16	45/64	3-3/4	2-3/8	1-7/8	9/16	1-1/16	2-29/32	5-13/16	9/16	3/16	1-9/64
	1-1/4 30mm	2.2	41.3	165.1	44.1	119.1	138.1	M12	23.8	17.9	95.3	60.3	47.6	14.3	27.0	73.8	147.6	14.3	4.8	29.0
208	1-7/16	7.2	1-27/32	7-1/4	1-15/16	5-3/16	5-7/8	1/2	29/32	15/16	4-3/16	2-5/8	2-1/8	21/32	1-3/16	3-17/64	6-17/32	11/16	3/16	1-15/64
	35mm	2.7	46.8	184.2	49.2	131.8	149.2	M12	23.0	23.8	106.4	66.7	54.0	16.7	30.2	82.9	165.9	17.5	4.8	31.4
209	1-1/2	9.2	1-55/64	7-7/16	2	5-1/2	6-3/16	1/2	29/32	3/4	4-9/32	2-55/64	2-1/8	21/32	1-13/64	3-3/8	6-3/4	11/16	3/16	1-9/32
	40mm	3.1	47.2	188.9	50.8	139.7	157.2	M12	23.0	19.1	108.7	72.6	54.0	16.7	30.6	85.7	171.5	17.5	4.8	32.5
210	1-11/16	10.1	1-55/64	8-1/8	2-1/4	6	6-11/16	5/8	1-1/64	3/4	4-17/32	3-1/8	2-1/4	21/32	1-13/64	3-11/16	7-3/8	13/16	3/16	1-9/32
	1-3/4 45mm	3.9	47.2	206.4	57.2	152.4	169.9	M16	25.8	19.1	115.1	79.375	57.2	16.7	30.6	93.7	187.3	20.6	4.8	32.5
210 (GTMU)	1-11/16	10.1	1-55/64	8-1/8	2-1/4	6	6-11/16	5/8	1-1/64	13/16	4-19/32	3-1/8	2-5/16	21/32	1-13/64	3-11/16	7-3/8	13/16	3/16	1-9/32
	1-3/4 45mm	3.9	47.2	206.4	57.2	152.4	169.9	M16	25.8	19.1	116.7	79.375	58.7	16.7	30.6	93.7	187.3	20.6	4.8	32.5

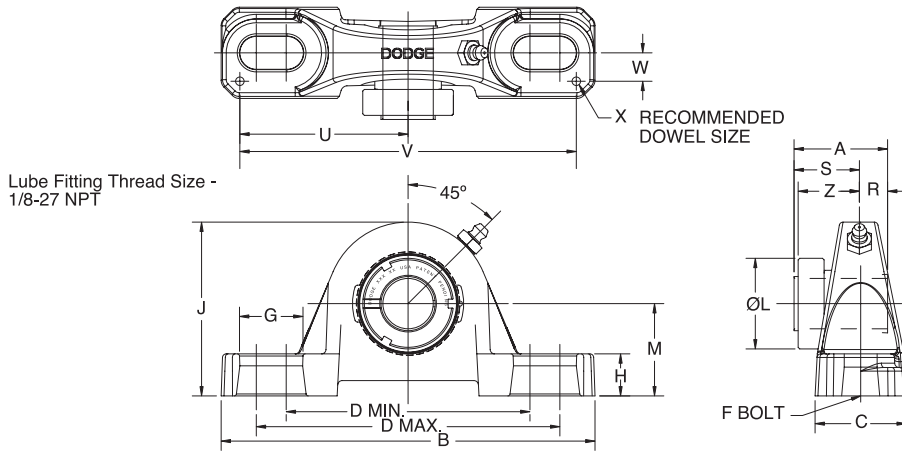
#R & S dimensions will vary slightly depending on true shaft diameter

FEATURES/BENEFITS PAGE B2-2	HOW TO ORDER/NOMENCLATURE PAGE B2-4	SELECTION PAGE B2-5	RELATED PRODUCTS PAGE B2-96
--------------------------------	--	------------------------	--------------------------------

# SELECTION/DIMENSIONS



## GRIP TIGHT Adapter Ball Bearings GTMAH AIR HANDLING MEDIUM DUTY PILLOW BLOCKS



Series	Shaft Size	Complete Unit		Unit Without Adapter & Nut		Adapter & Nut Assembly	
		Part No.	Description	Part No.	Description	Part No.	Description
211	1-15/16	<b>129238</b>	P2B-GTMAH-115	<b>129448</b>	P2B-GTAH-11	<b>129931</b>	AN-GTM-11-115
	2	@	P2B-GTMAH-200			<b>129932</b>	AN-GTM-11-200
	50mm	<b>065969</b>	P2B-GTMAH-50M			<b>129961</b>	AN-GTM-11-50M
212	2-3/16	<b>129239</b>	P2B-GTMAH-203	<b>129449</b>	P2B-GTAH-12	<b>129933</b>	AN-GTM-12-203
	2-1/4	@	P2B-GTMAH-204			<b>129934</b>	AN-GTM-12-204
	55mm	<b>068673</b>	P2B-GTMAH-55M			<b>129962</b>	AN-GTM-12-55M
214	2-7/16	<b>129240</b>	P2B-GTMAH-207	<b>129450</b>	P2B-GTAH-14	<b>129935</b>	AN-GTM-14-207
	2-1/2	<b>068865</b>	P2B-GTMAH-208			<b>129936</b>	AN-GTM-14-208
	65mm	<b>068682</b>	P2B-GTMAH-65M			<b>129963</b>	AN-GTM-14-65M
215	2-11/16	<b>129241</b>	P2B-GTMAH-211	<b>129451</b>	P2B-GTAH-15	<b>129937</b>	AN-GTM-15-211
	70mm	<b>064684</b>	P2B-GTMAH-70M			<b>129964</b>	AN-GTM-15-70M
216	2-15/16	<b>129242</b>	P2B-GTMAH-215	<b>129455</b>	P2B-GTAH-16	<b>129938</b>	AN-GTM-16-215
	3	@	P2B-GTMAH-300			<b>129939</b>	AN-GTM-16-300
	75mm	<b>068329</b>	P2B-GTMAH-75M			<b>129965</b>	AN-GTM-16-75M
218	3-7/16	<b>129243</b>	P2B-GTMAH-307	<b>129456</b>	P2B-GTAH-18	<b>129940</b>	AN-GTM-18-307
	3-1/2	@	P2B-GTMAH-308			<b>129941</b>	AN-GTM-18-308
	85mm	<b>068686</b>	P2B-GTMAH-85M			<b>129966</b>	AN-GTM-18-85M

@ Assembled to order

FEATURES/BENEFITS PAGE B2-2	HOW TO ORDER/NOMENCLATURE PAGE B2-4	SELECTION PAGE B2-5	RELATED PRODUCTS PAGE B2-96
--------------------------------	--	------------------------	--------------------------------

# SELECTION/DIMENSIONS



## GRIP TIGHT Adapter Ball Bearings GTMAH AIR HANDLING MEDIUM DUTY PILLOW BLOCKS

Series	Shaft Size	Weight lbs kg	A	B	C	D		F Bolt Dia.	G	H	J	L	M	R#	S#	U	V	W	X	Z
						min.	max.													
211	1-15/16	12.3	1-59/64	8-7/8	2-5/16	6-3/8	7-7/16	5/8	1-7/32	7/8	4-15/16	3-27/64	2-1/2	45/64	1-7/32	3-15/16	7-7/8	13/16	3/16	1-11/32
	2 50mm	5.6	48.8	225.4	58.7	161.9	188.9	M16	31.0	22.2	125.4	86.9	63.5	17.9	31.0	100.0	200.0	20.6	4.8	34.1
212	2-3/16	17.5	2-7/64	9-1/2	2-3/8	6-7/8	7-15/16	5/8	1-7/32	7/8	5-3/8	3-11/16	2-3/4	49/64	1-11/32	4-1/4	8-1/2	7/8	3/16	1-15/32
	2-1/4 55mm	7.0	53.6	241.3	60.3	174.6	201.6	M16	31.0	22.2	136.5	93.7	69.9	19.4	34.1	108.0	215.9	22.2	4.8	37.3
214	2-7/16	19.4	2-25/64	10-3/4	2-11/16	7-1/2	8-1/2	3/4	1-5/16	15/16	6-5/64	4	3	7/8	1-33/64	4-7/8	9-3/4	15/16	3/16	1-19/32
	2-1/2 65mm	8.9	60.7	273.1	68.3	190.5	215.9	M18	33.3	23.8	154.4	101.6	76.2	22.2	38.5	123.8	247.7	23.8	4.8	40.5
215	2-11/16	24.9	2-29/64	11-3/4	2-7/8	8-1/2	9-1/2	7/8	1-7/16	1	6-23/32	4-7/16	3-1/2	57/64	1-9/16	5-1/2	11	1-1/16	3/16	1-5/8
	70mm	10.1	62.3	298.5	73.0	215.9	241.3	M22	36.5	25.4	170.7	112.7	88.9	22.6	39.7	139.7	279.4	27.0	4.8	41.3
216	2-15/16	25.4	2-11/16	11-3/4	3	8-1/2	9-1/2	7/8	1-7/16	1-1/4	6-31/32	4-11/16	3-1/2	29/32	1-55/64	5-1/2	11	1-3/32	3/16	1-5/8
	3 75mm	10.3	68.3	298.5	76.2	215.9	241.3	M22	36.5	31.8	177.0	119.1	88.9	23.0	47.2	139.7	279.4	27.8	4.8	41.3
218	3-7/16	34.9	2-51/64	14	3-3/8	10-5/16	11-5/8	7/8	1-19/32	1-5/16	8	5-3/16	4	1	1-51/64	6-9/16	13-1/8	1-3/16	3/16	1-45/64
	3-1/2 85mm	14.1	71.0	355.6	85.7	261.9	295.3	M22	40.5	33.3	203.2	131.8	101.6	25.3	45.6	166.7	333.4	30.2	4.8	43.3

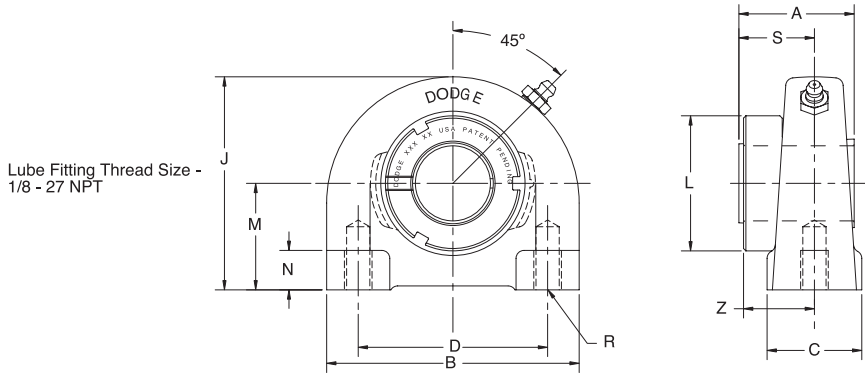
#R & S dimensions will vary slightly depending on true shaft diameter

FEATURES/BENEFITS PAGE B2-2	HOW TO ORDER/NOMENCLATURE PAGE B2-4	SELECTION PAGE B2-5	RELATED PRODUCTS PAGE B2-96
--------------------------------	--	------------------------	--------------------------------

# SELECTION/DIMENSIONS



## GRIP TIGHT Adapter Ball Bearings GT NORMAL DUTY TAPPED BASE PILLOW BLOCKS



Series	Shaft Size	Complete Unit		Unit without Adapter Sleeve & Lock Nut		Adapter Sleeve & Lock Nut Assembly	
		Part No.	Description	Part No.	Description	Part No.	Description
204	3/4	129276	TB-GT-012	129457	TB-GT-04	129904	AN-GT-04-012
	20mm	136365	TB-GT-20M	136383	TB-GT-04M	129943	AN-GT-04-20M
205	7/8	129148	TB-GT-014	129458	TB-GT-05	129905	AN-GT-05-014
	15/16	129277	TB-GT-015			129906	AN-GT-05-015
	1	129278	TB-GT-100			129907	AN-GT-05-100
	25mm	136366	TB-GT-25M			129944	AN-GT-05-25M
206	1-1/8	129279	TB-GT-102	129459	TB-GT-06	129908	AN-GT-06-102
	1-3/16	129280	TB-GT-103			129909	AN-GT-06-103
	1-1/4	129281	TB-GT-104S			129910	AN-GT-06-104S
	30mm	136367	TB-GT-30M			129945	AN-GT-06-30M
207	1-1/4	129282	TB-GT-104	129460	TB-GT-07	129911	AN-GT-07-104
	1-3/8	129283	TB-GT-106			129912	AN-GT-07-106
	1-7/16	129284	TB-GT-107			129913	AN-GT-07-107
	35mm	136368	TB-GT-35M			129946	AN-GT-07-35M
208	1-1/2	129285	TB-GT-108	129461	TB-GT-08	129914	AN-GT-08-108
	1-5/8	@	TB-GT-110			129955	AN-GT-08-110
	40mm	136369	TB-GT-40M			129947	AN-GT-08-40M
209	1-5/8	129286	TB-GT-110L	129462	TB-GT-09	129915	AN-GT-09-110L
	1-11/16	129287	TB-GT-111			129916	AN-GT-09-111
	1-3/4	129288	TB-GT-112			129917	AN-GT-09-112
	45mm	136370	TB-GT-45M			129948	AN-GT-09-45M
210	1-15/16	129289	TB-GT-115	129463	TB-GT-10	129918	AN-GT-10-115
	2	129290	TB-GT-200			129919	AN-GT-10-200
	50mm	136371	TB-GT-50M			129949	AN-GT-10-50M

@ Assemble to order

FEATURES/BENEFITS PAGE B2-2	HOW TO ORDER/NOMENCLATURE PAGE B2-4	SELECTION PAGE B2-5	RELATED PRODUCTS PAGE B2-96
--------------------------------	--	------------------------	--------------------------------

# SELECTION/DIMENSIONS



## GRIP TIGHT Adapter Ball Bearings GT NORMAL DUTY TAPPED BASE PILLOW BLOCKS

Series	Shaft Size	Weight lbs kg	A	B	C	D	J	L	M	N	R* UNC- Thread	S#	Z
204	3/4	1.9	1-15/32	2-7/8	1-1/2	2	2-9/16	1-1/2	1-5/16	1/2	3/8-16	63/64	1-3/64
	20mm	0.9	37.3	73.0	38.1	50.8	65.1	38.1	33.3	12.7	M8 x 1.25	25.0	26.2
205	7/8	2.1	1-29/64	3	1-1/2	2	2-13/16	1-51/64	1-7/16	1/2	3/8-16	61/64	1-1/64
	15/16	2.0											
	1	1.9											
206	25mm	1.0	36.9	76.2	38.1	50.8	71.4	45.6	36.5	12.7	M10 x 1.5	24.2	25.8
	1-1/8	3.6	1-39/64	4	1-1/2	3	3-3/8	2-5/64	1-11/16	5/8	7/16-14	1-5/64	1-1/8
	1-3/16	3.5											
	1-1/4	3.5											
30mm	1.7	40.9	101.6	38.1	76.2	85.7	52.8	42.9	15.9	M10 x 1.5	27.4	28.6	
207	1-1/4	4.7	1-5/8	4-1/4	1-7/8	3-1/4	3-3/4	2-3/8	1-7/8	3/4	1/2-13	1-1/16	1-9/64
	1-3/8	4.7											
	1-7/16	4.6											
208	35mm	2.3	41.3	108.0	47.6	82.6	95.3	60.3	47.6	19.1	M10 x 1.5	27.0	29.0
	1-1/2	6.2	1-55/64	4-5/8	1-7/8	3-1/2	3-15/16	2-5/8	1-15/16	3/4	1/2-13	1-3/16	1-15/64
	1-5/8	6.1											
	40mm	3.0											
209	1-5/8	6.7	1-27/32	5	2	3-3/4	4-1/4	2-55/64	2-1/8	3/4	1/2-13	1-3/16	1-9/32
	1-11/16	6.7											
	1-3/4	6.6											
210	45mm	3.2	46.8	127.0	50.8	95.3	108.0	72.6	54.0	19.1	M12 x 1.75	30.2	32.5
	1-15/16	8.6	1-55/64	5-1/2	2	4	4-5/8	3-1/8	2-1/4	7/8	5/8-11	1-13/64	1-9/32
	2	8.5											
50mm	4.2	47.2											

#S dimension will vary slightly depending on true shaft diameter

\* Mounting surface bolt holes on all GRIP TIGHT Tapped Base Units must have at least 1/16" bolt clearance

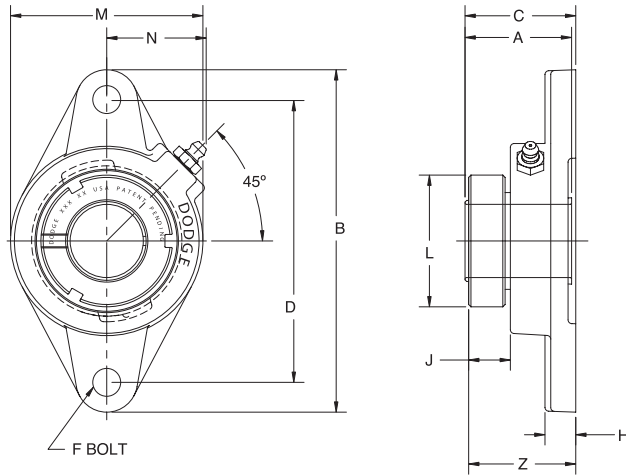
FEATURES/BENEFITS PAGE B2-2	HOW TO ORDER/NOMENCLATURE PAGE B2-4	SELECTION PAGE B2-5	RELATED PRODUCTS PAGE B2-96
--------------------------------	--	------------------------	--------------------------------

# SELECTION/DIMENSIONS



## GRIP TIGHT Adapter Ball Bearings GT NORMAL DUTY 2 BOLT FLANGE BEARINGS

Lube Fitting Thread Size -  
203 Series - 1/4 - 28 Tapered Thread  
204 Series and Larger - 1/8 - 27 NPT



Series	Shaft Size	Complete Unit		Unit without Adapter Sleeve & Lock Nut		Adapter Sleeve & Lock Nut Assembly	
		Part No.	Description	Part No.	Description	Part No.	Description
203	1/2	<b>129301</b>	F2B-GT-008	<b>129490</b>	F2B-GT-03	<b>129902</b>	AN-GT-03-008
	5/8	<b>129302</b>	F2B-GT-010			<b>129903</b>	AN-GT-03-010
	17mm	<b>129321</b>	F2B-GT-17M			<b>129942</b>	AN-GT-03-17M
204	3/4	<b>129303</b>	F2B-GT-012	<b>129491</b>	F2B-GT-04	<b>129904</b>	AN-GT-04-012
	20mm	<b>129322</b>	F2B-GT-20M			<b>129943</b>	AN-GT-04-20M
205	7/8	<b>129304</b>	F2B-GT-014	<b>129492</b>	F2B-GT-05	<b>129905</b>	AN-GT-05-014
	15/16	<b>129305</b>	F2B-GT-015			<b>129906</b>	AN-GT-05-015
	1	<b>129306</b>	F2B-GT-100			<b>129907</b>	AN-GT-05-100
	25mm	<b>129323</b>	F2B-GT-25M			<b>129944</b>	AN-GT-05-25M
206	1-1/8	<b>129307</b>	F2B-GT-102	<b>129493</b>	F2B-GT-06	<b>129908</b>	AN-GT-06-102
	1-3/16	<b>129308</b>	F2B-GT-103			<b>129909</b>	AN-GT-06-103
	1-1/4	<b>129309</b>	F2B-GT-104S			<b>129910</b>	AN-GT-06-104S
	30mm	<b>129324</b>	F2B-GT-30M			<b>129945</b>	AN-GT-06-30M
207	1-1/4	<b>129310</b>	F2B-GT-104	<b>129494</b>	F2B-GT-07	<b>129911</b>	AN-GT-07-104
	1-3/8	<b>129311</b>	F2B-GT-106			<b>129912</b>	AN-GT-07-106
	1-7/16	<b>129312</b>	F2B-GT-107			<b>129913</b>	AN-GT-07-107
	35mm	<b>129325</b>	F2B-GT-35M			<b>129946</b>	AN-GT-07-35M

@ Assembled to order.

FEATURES/BENEFITS PAGE B2-2	HOW TO ORDER/NOMENCLATURE PAGE B2-4	SELECTION PAGE B2-5	RELATED PRODUCTS PAGE B2-96
--------------------------------	--	------------------------	--------------------------------



# SELECTION/DIMENSIONS



## GRIP TIGHT Adapter Ball Bearings GT NORMAL DUTY 2 BOLT FLANGE BEARINGS

Bearing Quick Reference

E-Z KLEEN

GRIP TIGHT Adapter Ball Bearing

Set Screw Ball Bearing

Eccentric Collar Ball Bearing

Series	Shaft Size	Weight lbs kg	A	B	C#	D	F Bolt Dia.	H	J	L	M	N	Z
203	1/2	0.9	1-19/64	3-7/8	1-27/64	3	3/8	3/8	39/64	1-13/32	2-1/8	1-1/8	1-29/64
	5/8 17mm	0.8 0.3	32.9	98.4	36.1	76.2	M10	9.5	15.5	35.7	54.0	28.6	36.9
204	3/4	1.7	1-15/32	4-13/32	1-39/64	3-17/32	3/8	1/2	11/16	1-1/2	2-3/8	1-1/2	1-43/64
	20mm	0.6	37.3	111.9	40.9	89.7	M10	12.7	17.5	38.1	60.3	38.1	42.5
205	7/8	2.0	1-29/64	4-7/8	1-35/64	3-57/64	7/16	1/2	21/32	1-51/64	2-3/4	1-7/16	1-39/64
	15/16	1.9											
	1 25mm	1.8 0.8	36.9	123.8	39.3	98.8	M10	12.7	16.7	45.6	69.9	36.5	40.9
206	1-1/8	2.8	1-39/64	5-9/16	1-45/64	4-19/32	7/16	1/2	11/16	2-5/64	3-1/8	1-9/16	1-3/4
	1-3/16	2.7											
	1-1/4	2.5											
	30mm	1.3	40.9	141.3	43.3	116.7	M10	12.7	17.5	52.8	79.4	39.7	44.5
207	1-1/4	4.3	1-5/8	6-1/8	1-25/32	5-1/8	1/2	9/16	41/64	2-3/8	3-3/4	1-27/32	1-55/64
	1-3/8	4.1											
	1-7/16	3.9											
	35mm	1.9	41.3	155.6	45.2	130.2	M12	14.3	16.3	60.3	95.3	46.8	47.2

#C dimension will vary slightly depending on true shaft diameter.

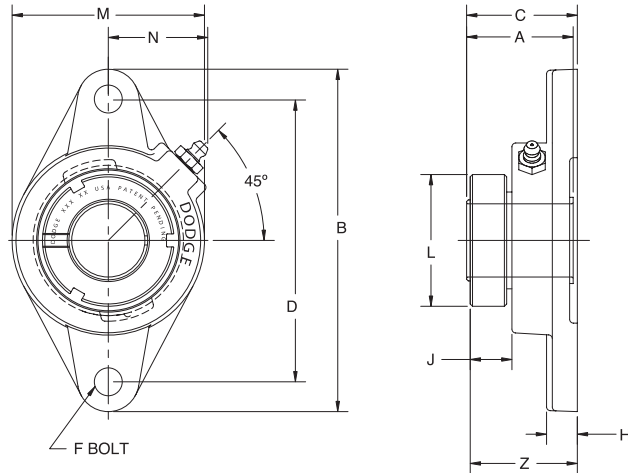
FEATURES/BENEFITS PAGE B2-2	HOW TO ORDER/NOMENCLATURE PAGE B2-4	SELECTION PAGE B2-5	RELATED PRODUCTS PAGE B2-96
--------------------------------	--	------------------------	--------------------------------

# SELECTION/DIMENSIONS



## GRIP TIGHT Adapter Ball Bearings GT NORMAL DUTY 2 BOLT FLANGE BEARINGS

Lube Fitting Thread Size -  
203 Series - 1/4 - 28 Tapered Thread  
204 Series and Larger - 1/8 - 27 NPT



Series	Shaft Size	Complete Unit		Unit without Adapter Sleeve & Lock Nut		Adapter Sleeve & Lock Nut Assembly	
		Part No.	Description	Part No.	Description	Part No.	Description
208	1-1/2	<b>129313</b>	F2B-GT-108	<b>129495</b>	F2B-GT-08	<b>129914</b>	AN-GT-08-108
	1-5/8	<b>129373</b>	F2B-GT-110			<b>129955</b>	AN-GT-01-110
	40mm	<b>129326</b>	F2B-GT-40M			<b>129947</b>	AN-GT-08-40M
209	1-5/8	<b>129314</b>	F2B-GT-110L	<b>129496</b>	F2B-GT-09	<b>129915</b>	AN-GT-09-110L
	1-11/16	<b>129315</b>	F2B-GT-111			<b>129916</b>	AN-GT-09-111
	1-3/4	<b>129316</b>	F2B-GT-112			<b>129917</b>	AN-GT-09-112
	45mm	<b>129327</b>	F2B-GT-45M			<b>129948</b>	AN-GT-09-45M
210	1-15/16	<b>129317</b>	F2B-GT-115	<b>129497</b>	F2B-GT-10	<b>129918</b>	AN-GT-10-115
	2	<b>129318</b>	F2B-GT-200			<b>129919</b>	AN-GT-10-200
	50mm	<b>129328</b>	F2B-GT-50M			<b>129949</b>	AN-GT-10-50M
211	2	<b>129337</b>	F2B-GTM-200	<b>129498</b>	F2B-GT-11	<b>129932</b>	AN-GTM-11-200
	2-3/16	<b>129319</b>	F2B-GT-203			<b>129920</b>	AN-GT-11-203
	2-1/4	<b>129378</b>	F2B-GT-204			<b>129956</b>	AN-GT-11-204
	55mm	<b>129329</b>	F2B-GT-55M			<b>129950</b>	AN-GT-11-55M
212	2-1/4	<b>064472</b>	F2B-GTM-204	<b>129078</b>	F2B-GT-12	<b>129934</b>	AN-GTM-12-204
	2-7/16	<b>064211</b>	F2B-GT-207			<b>129921</b>	AN-GT-12-207
	60mm	<b>068861</b>	F2B-GT-60M			<b>129951</b>	AN-GT-12-60M

@ Assembled to order.

FEATURES/BENEFITS PAGE B2-2	HOW TO ORDER/NOMENCLATURE PAGE B2-4	SELECTION PAGE B2-5	RELATED PRODUCTS PAGE B2-96
--------------------------------	--	------------------------	--------------------------------

# SELECTION/DIMENSIONS



## GRIP TIGHT Adapter Ball Bearings GT NORMAL DUTY 2 BOLT FLANGE BEARINGS

Bearing Quick Reference

E-Z KLEEN

GRIP TIGHT Adapter Ball Bearing

Set Screw Ball Bearing

Eccentric Collar Ball Bearing

Series	Shaft Size	Weight lbs kg	A	B	C#	D	F Bolt Dia.	H	J	L	M	N	Z
208	1-1/2	5.0	1-27/32	6-3/4	1-31/32	5-21/32	1/2	9/16	43/64	2-5/8	4-1/8	1-53/64	2-7/32
	1-5/8	4.8											
	40mm	2.3	46.8	171.5	50.0	143.7	M12	14.3	17.1	66.7	104.8	46.4	56.4
209	1-5/8	6.2	1-55/64	7-1/16	2	5-27/32	1/2	5/8	11/16	2-55/64	4-3/8	1-29/32	2-3/32
	1-11/16	6.1											
	45mm	2.7	47.2	179.4	50.8	148.4	M12	15.9	17.5	72.6	111.1	48.4	53.2
210	1-15/16	6.9	1-55/64	7-7/16	2-3/64	6-3/16	1/2	5/8	21/32	3-1/8	4-9/16	2-1/32	2-1/8
	2	6.8											
	50mm	3.2	47.2	188.9	52.0	157.2	M12	15.9	16.7	79.4	115.9	51.6	54.0
211	2	8.0	1-59/64	8-5/8	2-5/32	7-1/4	5/8	11/16	11/16	3-27/64	5-1/4	2-17/64	2-9/32
	2-3/16	7.9											
	55mm	3.7	48.8	219.1	54.8	184.2	M16	17.5	17.5	86.9	133.4	57.5	57.9
212	2-1/4	9.3	2-7/64	9-13/16	2-5/16	7-61/64	7/8	13/16	23/32	3-11/16	5-1/2	2-15/32	2-7/16
	2-7/16	9.2											
	60mm	4.5	53.6	249.2	58.7	202.0	M22	20.6	18.3	93.7	139.7	62.7	61.9

#C dimension will vary slightly depending on true shaft diameter.

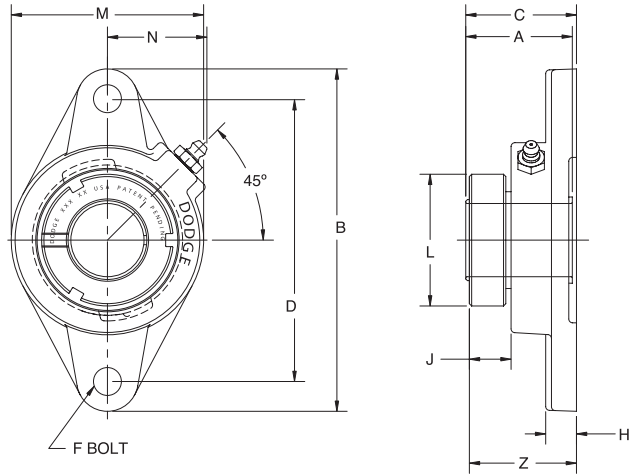
FEATURES/BENEFITS PAGE B2-2	HOW TO ORDER/NOMENCLATURE PAGE B2-4	SELECTION PAGE B2-5	RELATED PRODUCTS PAGE B2-96
--------------------------------	--	------------------------	--------------------------------

# SELECTION/DIMENSIONS



## GRIP TIGHT Adapter Ball Bearings GTAH AIR HANDLING NORMAL DUTY 2 BOLT FLANGE BEARINGS

Lube Fitting Thread Size -  
203 Series - 1/4 - 28 Tapered Thread  
204 Series and Larger - 1/8 - 27 NPT



Series	Shaft Size	Complete Unit		Unit without Adapter Sleeve & Lock Nut		Adapter Sleeve & Lock Nut Assembly	
		Part No.	Description	Part No.	Description	Part No.	Description
203	1/2	@	F2B-GTAH-008	129499	F2B-GTAH-03	129902	AN-GT-03-008
	5/8	129320	F2B-GTAH-010			129903	AN-GT-03-010
	17mm	@	F2B-GTAH-17M			129942	AN-GT-03-17M
204	3/4	@	F2B-GTAH-012	@	F2B-GTAH-04	129904	AN-GT-04-012
	20mm	@	F2B-GTAH-20M			129943	AN-GT-04-20M
205	7/8	@	F2B-GTAH-014	@	F2B-GTAH-05	129905	AN-GT-05-014
	15/16	@	F2B-GTAH-015			129906	AN-GT-05-015
	1	@	F2B-GTAH-100			129907	AN-GT-05-100
	25mm	@	F2B-GTAH-25M			129944	AN-GT-05-25M
206	1-1/8	@	F2B-GTAH-102	064079	F2B-GTAH-06	129908	AN-GT-06-102
	1-3/16	@	F2B-GTAH-103			129909	AN-GT-06-103
	1-1/4	@	F2B-GTAH-104S			129910	AN-GT-06-104S
	30mm	@	F2B-GTAH-30M			129945	AN-GT-06-30M
207	1-1/4	@	F2B-GTAH-104	129500	F2B-GTAH-07	129911	AN-GT-07-104
	1-3/8	@	F2B-GTAH-106			129912	AN-GT-07-106
	1-7/16	@	F2B-GTAH-107			129913	AN-GT-07-107
	35mm	@	F2B-GTAH-35M			129946	AN-GT-07-35M

@ Assembled to order.

FEATURES/BENEFITS PAGE B2-2	HOW TO ORDER/NOMENCLATURE PAGE B2-4	SELECTION PAGE B2-5	RELATED PRODUCTS PAGE B2-96
--------------------------------	--	------------------------	--------------------------------

# SELECTION/DIMENSIONS



## GRIP TIGHT Adapter Ball Bearings GTAH AIR HANDLING NORMAL DUTY 2 BOLT FLANGE BEARINGS

Bearing Quick Reference

E-Z KLEEN

GRIP TIGHT Adapter Ball Bearing

Set Screw Ball Bearing

Eccentric Collar Ball Bearing

Series	Shaft Size	Weight lbs kg	A	B	C#	D	F Bolt Dia.	H	J	L	M	N	Z
203	1/2	0.9	1-19/64	3-7/8	1-27/64	3	3/8	3/8	39/64	1-13/32	2-1/8	1-1/8	1-29/64
	5/8 17mm	0.8 0.3	32.9	98.4	36.1	76.2	M10	9.5	15.5	35.7	54.0	28.6	36.9
204	3/4	1.7	1-15/32	4-13/32	1-39/64	3-17/32	3/8	1/2	11/16	1-1/2	2-3/8	1-1/2	1-43/64
	20mm	0.6	37.3	111.9	40.9	89.7	M10	12.7	17.5	38.1	60.3	38.1	42.5
205	7/8	2.0	1-29/64	4-7/8	1-35/64	3-57/64	7/16	1/2	21/32	1-51/64	2-3/4	1-7/16	1-39/64
	15/16	1.9											
	1 25mm	1.8 0.8	36.9	123.8	39.3	98.8	M10	12.7	42.1	45.6	69.9	36.5	40.9
206	1-1/8	2.8	1-39/64	5-9/16	1-45/64	4-19/32	7/16	1/2	11/16	2-5/64	3-1/8	1-9/16	1-3/4
	1-3/16	2.7											
	1-1/4	2.5											
	30mm	1.3	40.9	141.3	43.3	116.7	M10	12.7	17.5	52.8	79.4	39.7	44.5
207	1-1/4	4.3	1-5/8	6-1/8	1-25/32	5-1/8	1/2	9/16	41/64	2-3/8	3-3/4	1-27/32	1-55/64
	1-3/8	4.1											
	1-7/16	3.9											
	35mm	1.9	41.3	155.6	45.2	130.2	M12	14.3	16.3	60.3	95.3	46.8	47.2

#C dimension will vary slightly depending on true shaft diameter.

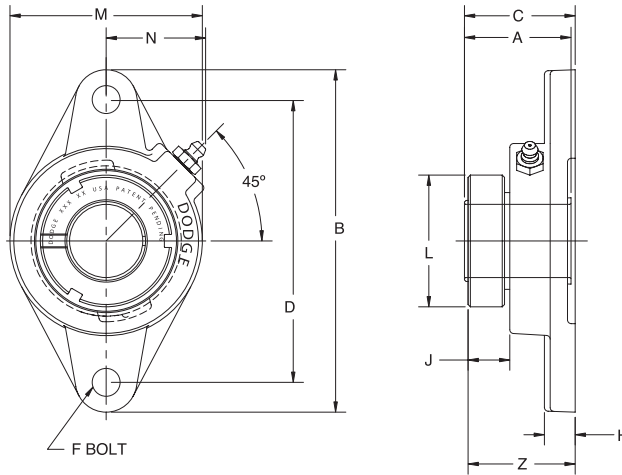
FEATURES/BENEFITS PAGE B2-2	HOW TO ORDER/NOMENCLATURE PAGE B2-4	SELECTION PAGE B2-5	RELATED PRODUCTS PAGE B2-96
--------------------------------	--	------------------------	--------------------------------

# SELECTION/DIMENSIONS



## GRIP TIGHT Adapter Ball Bearings GTAH AIR HANDLING NORMAL DUTY 2 BOLT FLANGE BEARINGS

Lube Fitting Thread Size -  
203 Series - 1/4 - 28 Tapered Thread  
204 Series and Larger - 1/8 - 27 NPT



Series	Shaft Size	Complete Unit		Unit without Adapter Sleeve & Lock Nut		Adapter Sleeve & Lock Nut Assembly	
		Part No.	Description	Part No.	Description	Part No.	Description
208	1-1/2	@	F2B-GTAH-108	@	F2B-GTAH-08	<b>129914</b>	AN-GT-08-108
	1-5/8	@	F2B-GTAH-110			<b>129955</b>	AN-GT-08-110
	40mm	@	<i>F2B-GTAH-40M</i>			<b>129947</b>	<i>AN-GT-08-40M</i>
209	1-5/8	@	F2B-GTAH-110L	@	F2B-GTAH-09	<b>129915</b>	AN-GT-09-110L
	1-11/16	@	F2B-GTAH-111			<b>129916</b>	AN-GT-09-111
	1-3/4	@	F2B-GTAH-112			<b>129917</b>	AN-GT-09-112
210	45mm	@	<i>F2B-GTAH-45M</i>	@	F2B-GTAH-10	<b>129948</b>	<i>AN-GT-09-45M</i>
	1-15/16	@	F2B-GTAH-115			<b>129918</b>	AN-GT-10-115
	2	@	F2B-GTAH-200			<b>129919</b>	AN-GT-10-200
211	50mm	@	<i>F2B-GTAH-50M</i>	@	F2B-GTAH-11	<b>129949</b>	<i>AN-GT-10-50M</i>
	2	@	F2B-GTMAH-200			<b>129932</b>	AN-GTM-11-200
	2-3/16	@	F2B-GTAH-203			<b>129920</b>	AN-GT-11-203
212	2-1/4	@	F2B-GTAH-204	@	F2B-GTAH-12	<b>129956</b>	AN-GT-11-204
	55mm	@	<i>F2B-GTAH-55M</i>			<b>129950</b>	<i>AN-GT-11-55M</i>
	2-1/4	@	F2B-GTMAH-204			<b>129934</b>	AN-GTM-12-204
212	2-7/16	@	F2B-GTAH-207	@	F2B-GTAH-12	<b>129921</b>	AN-GT-12-207
	60mm	@	<i>F2B-GTAH-60M</i>			<b>129951</b>	<i>AN-GT-12-60M</i>

@ Assembled to order.

FEATURES/BENEFITS PAGE B2-2	HOW TO ORDER/NOMENCLATURE PAGE B2-4	SELECTION PAGE B2-5	RELATED PRODUCTS PAGE B2-96
--------------------------------	--	------------------------	--------------------------------

# SELECTION/DIMENSIONS



## GRIP TIGHT Adapter Ball Bearings GTAH AIR HANDLING NORMAL DUTY 2 BOLT FLANGE BEARINGS

Bearing Quick Reference

E-Z KLEEN

GRIP TIGHT Adapter Ball Bearing

Set Screw Ball Bearing

Eccentric Collar Ball Bearing

Series	Shaft Size	Weight lbs kg	A	B	C#	D	F Bolt Dia.	H	J	L	M	N	Z
208	1-1/2	5.0	1-27/32	6-3/4	1-31/32	5-21/32	1/2	9/16	43/64	2-5/8	4-1/8	1-53/64	2-7/32
	1-5/8	4.8											
	40mm	2.3	46.8	171.5	50.0	143.7	M12	14.3	17.1	66.7	104.8	46.4	56.4
209	1-5/8	6.2	1-55/64	7-1/16	2	5-27/32	1/2	5/8	11/16	2-55/64	4-3/8	1-29/32	2-3/32
	1-11/16	6.1											
	45mm	2.7	47.2	179.4	50.8	148.4	M12	15.9	17.5	72.6	111.1	48.4	53.2
210	1-15/16	6.9	1-55/64	7-7/16	2-3/64	6-3/16	1/2	5/8	21/32	3-1/8	4-9/16	2-1/32	2-1/8
	2	6.8											
	50mm	3.2	47.2	188.9	52.0	157.2	M12	15.9	16.7	79.4	115.9	51.6	54.0
211	2	8.0	1-59/64	8-5/8	2-5/32	7-1/4	5/8	11/16	11/16	3-27/64	5-1/4	2-17/64	2-9/32
	2-3/16	7.9											
	55mm	3.7	48.8	219.1	54.8	184.2	M16	17.5	17.5	86.9	133.4	57.5	57.9
212	2-1/4	9.3	2-7/64	9-13/16	2-5/16	7-61/64	7/8	13/16	23/32	3-11/16	5-1/2	2-15/32	2-7/16
	2-7/16	9.2											
	60mm	4.5	53.6	249.2	58.7	202.0	M22	20.6	18.3	93.7	139.7	62.7	61.9

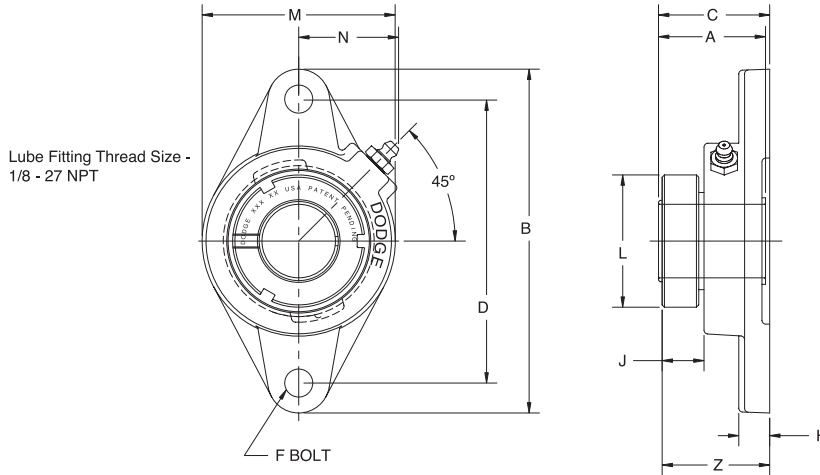
#C dimension will vary slightly depending on true shaft diameter.

FEATURES/BENEFITS PAGE B2-2	HOW TO ORDER/NOMENCLATURE PAGE B2-4	SELECTION PAGE B2-5	RELATED PRODUCTS PAGE B2-96
--------------------------------	--	------------------------	--------------------------------

# SELECTION/DIMENSIONS



## GRIP TIGHT Adapter Ball Bearings GTM MEDIUM DUTY 2 BOLT FLANGE BEARINGS



Series	Shaft Size	Complete Unit		Unit without Adapter Sleeve & Lock Nut		Adapter Sleeve & Lock Nut Assembly	
		Part No.	Description	Part No.	Description	Part No.	Description
205	3/4	<b>129369</b>	F2B-GTM-012	<b>129492</b>	F2B-GT-05	<b>129924</b>	AN-GTM-05-012
206	1 25mm	<b>129330</b>	F2B-GTM-100	<b>129493</b>	F2B-GT-06	<b>129925</b>	AN-GTM-06-100
		<b>136268</b>	F2B-GTM-25M			<b>129957</b>	AN-GTM-06-25M
207	1-3/16 1-1/4 30mm	<b>129331</b>	F2B-GTM-103	<b>129494</b>	F2B-GT-07	<b>129926</b>	AN-GTM-07-103
		<b>129310</b>	F2B-GT-104			<b>129911</b>	AN-GT-07-104
		<b>136269</b>	F2B-GTM-30M			<b>129954</b>	AN-GTM-07-30M
208	1-7/16 35mm	<b>129332</b>	F2B-GTM-107	<b>129495</b>	F2B-GT-08	<b>129927</b>	AN-GTM-08-107
		<b>136270</b>	F2B-GTM-35M			<b>129958</b>	AN-GTM-08-35M
209	1-1/2 1-5/8 40mm	<b>129333</b>	F2B-GTM-108	<b>129496</b>	F2B-GT-09	<b>129928</b>	AN-GTM-09-108
		<b>129314</b>	F2B-GT-110L			<b>129959</b>	AN-GTM-09-40M
		<b>136271</b>	F2B-GTM-40M				
210	1-11/16 1-3/4 45mm	<b>129334</b>	F2B-GTM-111	<b>129497</b>	F2B-GT-10	<b>129929</b>	AN-GTM-10-111
		<b>129335</b>	F2B-GTM-112			<b>129930</b>	AN-GTM-10-112
		<b>136272</b>	F2B-GTM-405M			<b>129960</b>	AN-GTM-10-45M
211	1-15/16 2 50mm	<b>129336</b>	F2B-GTM-115	<b>129498</b>	F2B-GT-11	<b>129931</b>	AN-GTM-11-115
		<b>129337</b>	F2B-GTM-200			<b>129932</b>	AN-GTM-11-200
		<b>136273</b>	F2B-GTM-50M			<b>129961</b>	AN-GTM-11-50M
212	2-3/16 2-1/4 55mm	@	F2B-GTM-203	<b>129078</b>	F2B-GT-12	<b>129933</b>	AN-GTM-12-203
		<b>064472</b>	F2B-GTM-204			<b>129934</b>	AN-GTM-12-204
		<b>136274</b>	F2B-GTM-55M			<b>129962</b>	AN-GTM-12-55M

@ Assembled to order.

FEATURES/BENEFITS PAGE B2-2	HOW TO ORDER/NOMENCLATURE PAGE B2-4	SELECTION PAGE B2-5	RELATED PRODUCTS PAGE B2-96
--------------------------------	--	------------------------	--------------------------------



# SELECTION/DIMENSIONS



## GRIP TIGHT Adapter Ball Bearings GTM MEDIUM DUTY 2 BOLT FLANGE BEARINGS

Bearing Quick Reference

E-Z KLEEN

GRIP TIGHT Adapter Ball Bearing

Set Screw Ball Bearing

Eccentric Collar Ball Bearing

Series	Shaft Size	Weight lbs kg	A	B	C#	D	F Bolt Dia.	H	J	L	M	N	Z
205	3/4	2.1	1-29/64	4-7/8	1-35/64	3-57/64	7/16	1/2	19/32	1-51/64	2-3/4	1-7/16	1-39/64
206	1	2.9	1-39/64	5-9/16	1-45/64	4-19/32	7/16	1/2	19/32	2-5/64	3-1/8	1-9/16	1-3/4
	25mm	1.4	40.9	141.3	43.3	116.7	M12	12.7	15.1	52.8	79.4	39.7	44.5
207	1-3/16	4.4	1-5/8	6-1/8	1-25/32	5-1/8	1/2	9/16	35/64	2-3/8	3-3/4	1-27/32	1-55/64
	1-1/4	4.3											
	30mm	2.1	41.3	155.6	45.2	130.2	M12	14.3	13.9	60.3	95.3	46.8	47.2
208	1-7/16	5.1	1-27/32	6-3/4	1-31/32	5-21/32	1/2	9/16	37/64	2-5/8	4-1/8	1-53/64	2-7/32
	35mm	2.5	46.8	171.5	50.0	143.7	M12	14.3	14.7	66.7	104.8	46.4	56.4
209	1-1/2	6.3	1-55/64	7-1/16	2	5-27/32	1/2	5/8	9/16	2-55/64	4-3/8	1-29/32	2-3/32
	1-5/8	6.2											
	40mm	3.1	47.2	179.4	50.8	148.4	M12	15.9	14.3	72.6	111.1	48.4	53.2
210	1-11/16	7.0	1-55/64	7-7/16	2-3/64	6-3/16	1/2	5/8	17/32	3-1/8	4-9/16	2-1/32	2-1/8
	1-3/4	6.9											
	45mm	3.4	47.2	188.9	52.0	157.2	M12	15.9	13.5	79.4	115.9	51.6	54.0
211	1-15/16	8.1	1-59/64	8-5/8	2-5/32	7-1/4	5/8	11/16	17/32	3-27/64	5-1/4	2-17/64	2-9/32
	2	8.0											
	50mm	3.9	48.8	219.1	54.8	184.2	M16	17.5	13.5	86.9	133.4	57.5	57.9
212	2-3/16	9.4	2-7/64	9-13/16	2-5/16	7-61/64	7/8	13/16	9/16	3-11/16	5-1/2	2-15/32	2-7/16
	2-1/4	9.3											
	55mm	4.6	53.6	249.2	58.7	202.0	M22	20.6	14.3	93.7	139.7	62.7	61.9

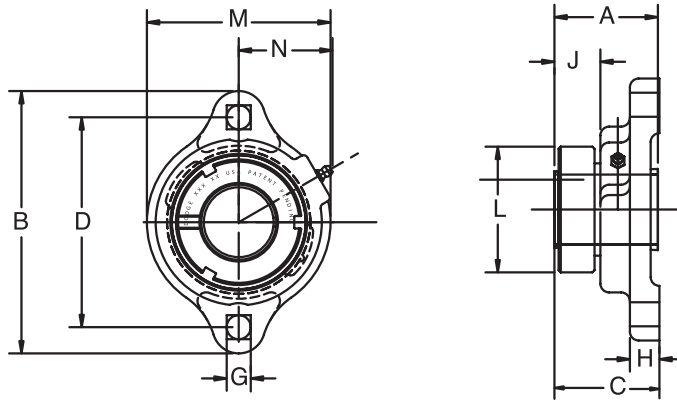
#C dimension will vary slightly depending on true shaft diameter.

FEATURES/BENEFITS PAGE B2-2	HOW TO ORDER/NOMENCLATURE PAGE B2-4	SELECTION PAGE B2-5	RELATED PRODUCTS PAGE B2-96
--------------------------------	--	------------------------	--------------------------------

# SELECTION/DIMENSIONS



## GRIP TIGHT Adapter Ball Bearings GT LFT NORMAL DUTY 2 BOLT FLANGE BEARINGS



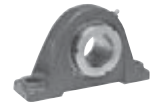
Lube fitting thread size -  
203 - 204 Series - 1/4-28 tapered thread  
205 - 207 Series - 1/8 - 27 NPT

Series	Shaft Size	Complete Unit		Unit without Adapter & Nut		Adapter & Nut Assembly	
		Part No.	Description	Part No.	Description	Part No.	Description
203	1/2	<b>136331</b>	LFT-GT-008	<b>136355</b>	LFT-GT-03	<b>129902</b>	AN-GT-03-008
	5/8	<b>136332</b>	LFT-GT-010			<b>129903</b>	AN-GT-03-010
	17mm	@	LFT-GT-17M			<b>129942</b>	AN-GT-03-17M
204	3/4	<b>136333</b>	LFT-GT-012	<b>136356</b>	LFT-GT-04	<b>129904</b>	AN-GT-04-012
	20mm	<b>068878</b>	LFT-GT-20M			<b>129943</b>	AN-GT-04-20M
205	7/8	<b>136334</b>	LFT-GT-014	<b>136357</b>	LFT-GT-05	<b>129905</b>	AN-GT-05-014
	15/16	<b>136335</b>	LFT-GT-015			<b>129906</b>	AN-GT-05-015
	1	<b>136336</b>	LFT-GT-100			<b>129907</b>	AN-GT-05-100
	25mm	<b>068685</b>	LFT-GT-25M			<b>129944</b>	AN-GT-05-25M
206	1-1/8	<b>136337</b>	LFT-GT-102	<b>136358</b>	LFT-GT-06	<b>129908</b>	AN-GT-06-102
	1-3/16	<b>136338</b>	LFT-GT-103			<b>129909</b>	AN-GT-06-103
	1-1/4	<b>136339</b>	LFT-GT-104S			<b>129910</b>	AN-GT-06-104S
	30mm	@	LFT-GT-30M			<b>129945</b>	AN-GT-06-30M
207	1-1/4	<b>136340</b>	LFT-GT-104	<b>136359</b>	LFT-GT-07	<b>129911</b>	AN-GT-07-104
	1-3/8	<b>136341</b>	LFT-GT-106			<b>129912</b>	AN-GT-07-106
	1-7/16	<b>136342</b>	LFT-GT-107			<b>129913</b>	AN-GT-07-107
	35mm	@	LFT-GT-35M			<b>129946</b>	AN-GT-07-35M

@ Assembled to order.

FEATURES/BENEFITS PAGE B2-2	HOW TO ORDER/NOMENCLATURE PAGE B2-4	SELECTION PAGE B2-5	RELATED PRODUCTS PAGE B2-96
--------------------------------	--	------------------------	--------------------------------

# SELECTION/DIMENSIONS



## GRIP TIGHT Adapter Ball Bearings GT LFT NORMAL DUTY 2 BOLT FLANGE BEARINGS

Bearing Quick Reference

E-Z KLEEN

GRIP TIGHT Adapter Ball Bearing

Set Screw Ball Bearing

Eccentric Collar Ball Bearing

Series	Shaft Size	Weight lbs kg	A	B	C#	D	G	H	J	L	M	N*
203	1/2	0.70	1-19/64	3-3/16	1-19/64	2-1/2	9/32	3/8	39/64	1-13/32	2-1/8	1-15/64
	5/8 17mm	0.65 0.31	32.9	81.0	32.9	63.5	7.5	9.5	15.5	35.7	54.0	31.4
204	3/4	0.91	1-15/32	3-9/16	1-15/32	2-13/16	11/32	27/64	5/8	1-1/2	2-3/8	1-11/32
	20mm	0.40	37.6	90.5	37.3	71.4	8.7	10.7	15.9	38.1	60.3	34.1
205	7/8	1.07	1-29/64	3-3/4	1-7/16	3	11/32	27/64	19/32	1-51/64	2-5/8	1-7/16
	15/16 1 25mm	1.02 0.97 0.43	36.9	95.3	36.5	76.2	8.7	30.2	15.1	45.6	66.7	36.5
206	1-1/8	1.63	1-39/64	4-7/16	1-5/8	3-9/16	13/32	15/32	19/32	2-5/64	3-1/4	1-23/32
	1-3/16 1-1/4 30mm	1.53 1.48 0.67	40.9	112.7	41.3	90.5	10.3	11.9	15.1	52.8	82.6	43.7
207	1-1/4	1.99	1-5/8	4-13/16	1-36/64	3-15/16	13/32	1/2	35/64	2-3/8	3-1/2	1-53/64
	1-3/8 1-7/16 35mm	1.89 1.84 0.83	41.3	122.2	40.9	100.0	10.3	12.7	13.9	60.3	88.9	46.4

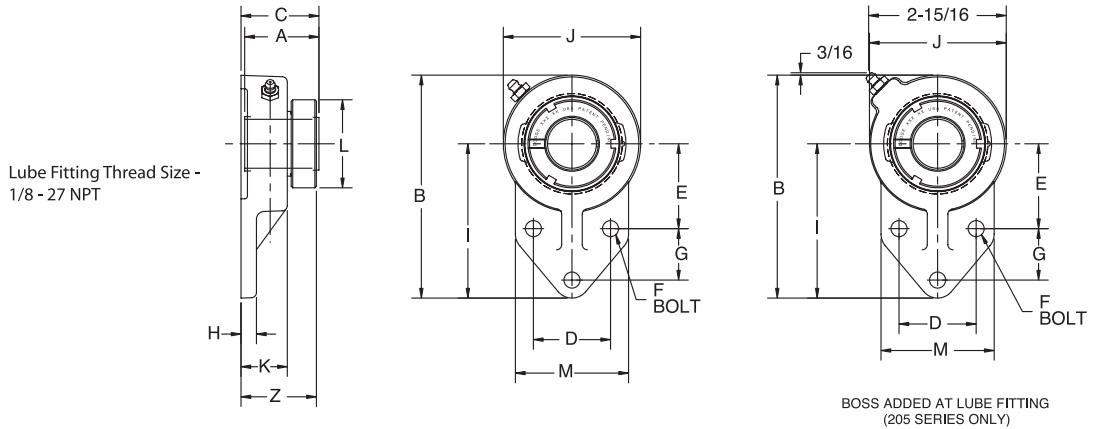
#C dimension will vary slightly depending on true shaft diameter

FEATURES/BENEFITS PAGE B2-2	HOW TO ORDER/NOMENCLATURE PAGE B2-4	SELECTION PAGE B2-5	RELATED PRODUCTS PAGE B2-96
--------------------------------	--	------------------------	--------------------------------

# SELECTION/DIMENSIONS



## GRIP TIGHT Adapter Ball Bearings GT NORMAL DUTY FLANGED BRACKETED BEARINGS



Series	Shaft Size	Complete Unit		Unit without Adapter Sleeve & Lock Nut		Adapter Sleeve & Lock Nut Assembly	
		Part No.	Description	Part No.	Description	Part No.	Description
204	3/4	<b>129615</b>	FB-GT-012	<b>129511</b>	FB-GT-04	<b>129904</b>	AN-GT-04-012
205	7/8	<b>129616</b>	FB-GT-014	<b>129512</b>	FB-GT-05	<b>129905</b>	AN-GT-05-014
	15/16	<b>129617</b>	FB-GT-015			<b>129906</b>	AN-GT-05-015
	1	<b>129618</b>	FB-GT-100			<b>129907</b>	AN-GT-05-100
206	1-1/8	<b>129619</b>	FB-GT-102	<b>129513</b>	FB-GT-06	<b>129908</b>	AN-GT-06-102
	1-3/16	<b>129620</b>	FB-GT-103			<b>129909</b>	AN-GT-06-103
	1-1/4	<b>129621</b>	FB-GT-104S			<b>129910</b>	AN-GT-06-104S
207	1-1/4	<b>129622</b>	FB-GT-104	<b>129514</b>	FB-GT-07	<b>129911</b>	AN-GT-07-104
	1-3/8	<b>129623</b>	FB-GT-106			<b>129912</b>	AN-GT-07-106
	1-7/16	<b>129624</b>	FB-GT-107			<b>129913</b>	AN-GT-07-107
210	1-15/16	<b>129625</b>	FB-GT-115	<b>129515</b>	FB-GT-10	<b>129918</b>	AN-GT-10-115
	2	<b>129626</b>	FB-GT-200			<b>129919</b>	AN-GT-10-200

FEATURES/BENEFITS PAGE B2-2	HOW TO ORDER/NOMENCLATURE PAGE B2-4	SELECTION PAGE B2-5	RELATED PRODUCTS PAGE B2-96
--------------------------------	--	------------------------	--------------------------------

# SELECTION/DIMENSIONS



## GRIP TIGHT Adapter Ball Bearings GT NORMAL DUTY FLANGED BRACKETED BEARINGS

Series	Shaft Size	Weight lbs	A	B	C#	D	E	F Bolt Dia.	G	H	I	J	K	L	M	Z
204	3/4	1.3	1-15/32	4-1/4	1-19/32	1-1/2	1-11/16	3/8	7/8	5/16	3	2-1/2	63/64	1-1/2	2-3/8	1-21/2
205	7/8	2.3	1-29/64	4-3/4	1-11/16	1-5/8	1-13/16	3/8	1-1/8	3/8	3-3/8	2-3/4	1-7/64	1-51/64	2-1/2	1-3/4
	15/16															
206	1-1/8	3.2	1-39/64	5-3/8	1-25/32	1-7/8	2-1/16	3/8	1-1/4	3/8	3-3/4	3-1/4	1-1/8	2-5/64	2-3/4	1-53/64
	1-3/16	3.2														
	1-1/4	3.1														
207	1-1/4	3.4	1-5/8	6-1/8	1-57/64	2	2-3/8	1/2	1-1/4	1/2	4-1/4	3-3/4	1-5/16	2-3/8	3-1/4	1-31/32
	1-3/8	3.4														
	1-7/16	3.4														
210	1-15/16	5.7	1-55/64	7-1/2	2-5/64	2-3/4	2-15/16	1/2	1-5/8	1/2	5-3/16	4-5/8	1-1/2	3-1/8	4	2-5/32
	2	5.6														

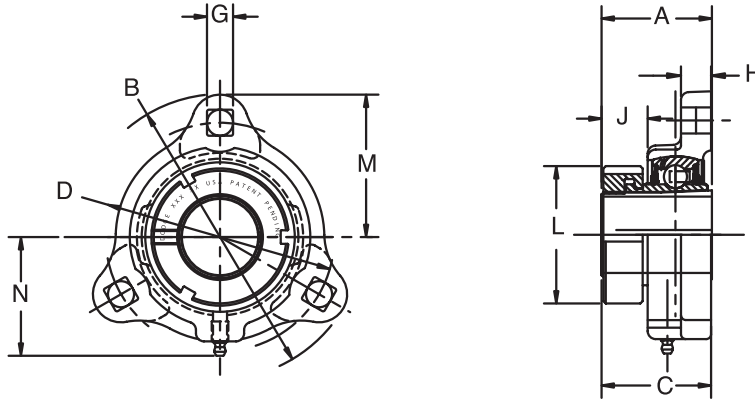
#C dimension will vary slightly depending on true shaft diameter.

FEATURES/BENEFITS PAGE B2-2	HOW TO ORDER/NOMENCLATURE PAGE B2-4	SELECTION PAGE B2-5	RELATED PRODUCTS PAGE B2-96
--------------------------------	--	------------------------	--------------------------------

# SELECTION/DIMENSIONS



## GRIP TIGHT Adapter Ball Bearings GT LF NORMAL DUTY 3 BOLT FLANGE BEARINGS



Lube fitting thread size -  
 203 - 204 Series - 1/4-28 tapered thread  
 205 - 207 Series - 1/8 - 27 NPT

Series	Shaft Size	Complete Unit		Unit without Adapter Sleeve & Lock Nut		Adapter Sleeve & Lock Nut Assembly	
		Part No.	Description	Part No.	Description	Part No.	Description
203	1/2	<b>136343</b>	LF-GT-008	<b>136360</b>	LF-GT-03	<b>129902</b>	AN-GT-03-008
	5/8	<b>136344</b>	LF-GT-010			<b>129903</b>	AN-GT-03-010
	17mm	@	LF-GT-17M			<b>129942</b>	AN-GT-03-17M
204	3/4	<b>136345</b>	LF-GT-012	<b>136361</b>	LF-GT-04	<b>129904</b>	AN-GT-04-012
	20mm	@	LF-GT-20M			<b>129943</b>	AN-GT-04-20M
205	7/8	<b>136346</b>	LF-GT-014	<b>136362</b>	LF-GT-05	<b>129905</b>	AN-GT-05-014
	15/16	<b>136347</b>	LF-GT-015			<b>129906</b>	AN-GT-05-015
	1	<b>136348</b>	LF-GT-100			<b>129907</b>	AN-GT-05-100
	25mm	@	LF-GT-25M			<b>129944</b>	AN-GT-05-25M
206	1-1/8	<b>136349</b>	LF-GT-102	<b>136363</b>	LF-GT-06	<b>129908</b>	AN-GT-06-102
	1-3/16	<b>136350</b>	LF-GT-103			<b>129909</b>	AN-GT-06-103
	1-1/4	<b>136351</b>	LF-GT-104S			<b>129910</b>	AN-GT-06-104S
	30mm	@	LF-GT-30M			<b>129945</b>	AN-GT-06-30M
207	1-1/4	<b>136352</b>	LF-GT-104	<b>136364</b>	LF-GT-07	<b>129911</b>	AN-GT-07-104
	1-3/8	<b>136353</b>	LF-GT-106			<b>129912</b>	AN-GT-07-106
	1-7/16	<b>136354</b>	LF-GT-107			<b>129913</b>	AN-GT-07-107
	35mm	@	LF-GT-35M			<b>129946</b>	AN-GT-07-35M

FEATURES/BENEFITS PAGE B2-2	HOW TO ORDER/NOMENCLATURE PAGE B2-4	SELECTION PAGE B2-5	RELATED PRODUCTS PAGE B2-96
--------------------------------	--	------------------------	--------------------------------

# SELECTION/DIMENSIONS



## GRIP TIGHT Adapter Ball Bearings GT LF NORMAL DUTY 3 BOLT FLANGE BEARINGS

Bearing Quick Reference

E-Z KLEEN

GRIP TIGHT Adapter Ball Bearing

Set Screw Ball Bearing

Eccentric Collar Ball Bearing

Series	Shaft Size	Weight lbs kg	A	B	C#	D	G	H	J	L	M	N*
203	1/2	0.75	1-19/64	3-3/16	1-19/64	2-1/2	9/32	3/8	39/64	1-13/32	1-19/32	1-7/8
	5/8 17mm	0.70 0.33	32.9	81.0	32.9	63.5	7.1	9.5	15.5	35.7	40.5	47.6
204	3/4	0.95	1-15/32	3-9/16	1-15/32	2-13/16	23/64	27/64	5/8	1-1/2	1-25/32	1-39/64
	20mm	0.42	37.3	90.5	37.3	71.4	9.1	10.7	15.9	38.1	45.2	40.9
205	7/8	1.22	1-29/64	3-3/4	1-7/16	3	11/32	27/64	19/32	1-51/64	1-7/8	1-47/64
	15/16	1.17										
	1 25mm	1.12 0.52	36.9	95.3	36.5	76.2	8.7	10.7	15.1	45.6	47.6	44.1
206	1-1/8	1.78	1-39/64	4-7/16	1-5/8	3-9/16	13/32	15/32	19/32	2-5/64	2-7/32	2-3/64
	1-3/16	1.68										
	1-1/4	1.63										
	30mm	0.74	40.9	112.7	41.3	90.5	10.3	11.9	15.1	52.8	56.4	52.0
207	1-1/4	2.24	1-5/8	4-13/16	1-39/64	3-15/16	13/32	1/2	35/64	2-3/8	2-13/32	2-11/64
	1-3/8	2.14										
	1-7/16	2.09										
	35mm	0.95	41.3	122.2	40.9	100.0	10.3	12.7	13.9	60.3	61.1	55.2

# C dimension will vary slightly depending on true shaft diameter

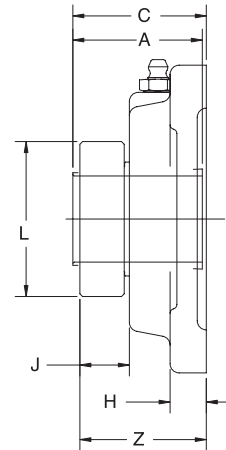
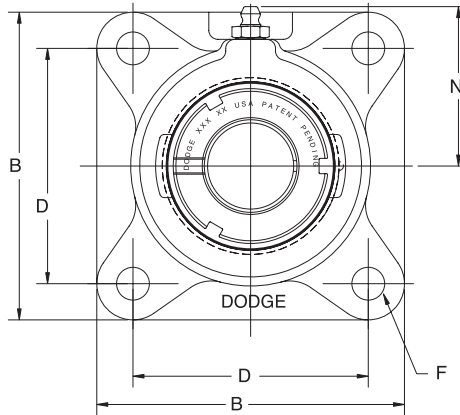
FEATURES/BENEFITS PAGE B2-2	HOW TO ORDER/NOMENCLATURE PAGE B2-4	SELECTION PAGE B2-5	RELATED PRODUCTS PAGE B2-96
--------------------------------	--	------------------------	--------------------------------

# SELECTION/DIMENSIONS



## GRIP TIGHT Adapter Ball Bearings GT NORMAL DUTY 4 BOLT FLANGE BEARINGS

Lube Fitting Thread Size -  
203 Series - 1/4-28 Tapered Thread  
204 Series and Larger - 1/8-27 NPT



Series	Shaft Size	Complete Unit		Unit without Adapter Sleeve & Lock Nut		Adapter Sleeve & Lock Nut Assembly	
		Part No.	Description	Part No.	Description	Part No.	Description
203	1/2	<b>129637</b>	F4B-GT-008	<b>129464</b>	F4B-GT-03	<b>129902</b>	AN-GT-03-008
	5/8	<b>129638</b>	F4B-GT-010			<b>129903</b>	AN-GT-03-010
	17mm	<b>129667</b>	F4B-GT-17M			<b>129942</b>	AN-GT-03-17M
204	3/4	<b>129639</b>	F4B-GT-012	<b>129465</b>	F4B-GT-04	<b>129904</b>	AN-GT-04-012
	20mm	<b>129668</b>	F4B-GT-20M			<b>129943</b>	AN-GT-04-20M
205	7/8	<b>129640</b>	F4B-GT-014	<b>129466</b>	F4B-GT-05	<b>129905</b>	AN-GT-05-014
	15/16	<b>129641</b>	F4B-GT-015			<b>129906</b>	AN-GT-05-015
	1	<b>129642</b>	F4B-GT-100			<b>129907</b>	AN-GT-05-100
	25mm	<b>129669</b>	F4B-GT-25M			<b>129944</b>	AN-GT-05-25M
206	1-1/8	<b>129643</b>	F4B-GT-102	<b>129467</b>	F4B-GT-06	<b>129908</b>	AN-GT-06-102
	1-3/16	<b>129644</b>	F4B-GT-103			<b>129909</b>	AN-GT-06-103
	1-1/4	<b>129645</b>	F4B-GT-104S			<b>129910</b>	AN-GT-06-104S
	30mm	<b>129670</b>	F4B-GT-30M			<b>129945</b>	AN-GT-06-30M
207	1-1/4	<b>129646</b>	F4B-GT-104	<b>129468</b>	F4B-GT-07	<b>129911</b>	AN-GT-07-104
	1-3/8	<b>129647</b>	F4B-GT-106			<b>129912</b>	AN-GT-07-106
	1-7/16	<b>129648</b>	F4B-GT-107			<b>129913</b>	AN-GT-07-107
	35mm	<b>129671</b>	F4B-GT-35M			<b>129946</b>	AN-GT-07-35M

@Assembled to order

FEATURES/BENEFITS PAGE B2-2	HOW TO ORDER/NOMENCLATURE PAGE B2-4	SELECTION PAGE B2-5	RELATED PRODUCTS PAGE B2-96
--------------------------------	--	------------------------	--------------------------------



# SELECTION/DIMENSIONS



## GRIP TIGHT Adapter Ball Bearings GT NORMAL DUTY 4 BOLT FLANGE BEARINGS

Bearing Quick Reference

E-Z KLEEN

GRIP TIGHT Adapter Ball Bearing

Set Screw Ball Bearing

Eccentric Collar Ball Bearing

Series	Shaft Size	Weight lbs kg	A	B	C#	D	F Bolt Dia.	H	J	L	N	Z
203	1/2	1.4	1-19/64	3	1-27/64	2-1/8	3/8	7/16	39/64	1-13/32	1-11/16	1-29/64
	5/8 17mm	1.3 0.6	32.9	76.2	36.1	54.0	M10	11.1	15.5	35.7	42.9	36.9
204	3/4	1.7	1-15/32	3-3/8	1-39/64	2-1/2	3/8	7/16	11/16	1-1/2	1-15/16	1-43/64
	20mm	0.8	37.3	85.7	40.9	63.5	M10	11.1	17.5	38.1	49.2	42.5
205	7/8	2.2	1-29/64	3-3/4	1-35/64	2-3/4	7/16	1/2	21/32	1-51/64	2-1/16	1-39/64
	15/16	2.2										
	1 25mm	2.2 1.0	36.9	95.3	39.3	69.9	M10	12.7	16.7	45.6	52.4	40.9
206	1-1/8	3.8	1-39/64	4-1/4	1-45/64	3-1/4	7/16	1/2	11/16	2-5/64	2-3/16	1-3/4
	1-3/16	3.7										
	1-1/4	3.7										
	30mm	1.7	40.9	108.0	43.3	82.6	M10	12.7	17.5	52.8	55.6	44.5
207	1-1/4	4.4	1-5/8	4-3/4	1-49/64	3-5/8	1/2	9/16	41/64	2-3/8	2-7/16	1-55/64
	1-3/8	4.4										
	1-7/16	4.3										
	35mm	2.0	41.3	120.7	44.8	92.1	M12	14.3	16.3	60.3	61.9	47.2

#C dimension will vary slightly depending on true shaft diameter.

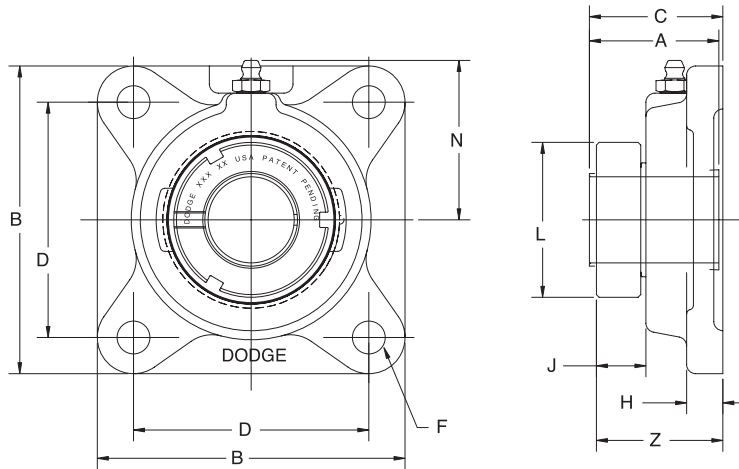
FEATURES/BENEFITS PAGE B2-2	HOW TO ORDER/NOMENCLATURE PAGE B2-4	SELECTION PAGE B2-5	RELATED PRODUCTS PAGE B2-96
--------------------------------	--	------------------------	--------------------------------

# SELECTION/DIMENSIONS



## GRIP TIGHT Adapter Ball Bearings GT NORMAL DUTY 4 BOLT FLANGE BEARINGS

Lube Fitting Thread Size -  
203 Series - 1/4-28 Tapered Thread  
204 Series and Larger - 1/8-27 NPT



Series	Shaft Size	Complete Unit		Unit without Adapter Sleeve & Lock Nut		Adapter Sleeve & Lock Nut Assembly	
		Part No.	Description	Part No.	Description	Part No.	Description
208	1-1/2	<b>129649</b>	F4B-GT-108	<b>129469</b>	F4B-GT-08	<b>129914</b>	AN-GT-08-108
	1-5/8	<b>129374</b>	F4B-GT-110			<b>129955</b>	AN-GT-08-110
	40mm	<b>129672</b>	F4B-GT-40M			<b>129947</b>	AN-GT-08-40M
209	1-5/8	<b>129650</b>	F4B-GT-110L	<b>129470</b>	F4B-GT-09	<b>129915</b>	AN-GT-09-110L
	1-11/16	<b>129651</b>	F4B-GT-111			<b>129916</b>	AN-GT-09-111
	1-3/4	<b>129652</b>	F4B-GT-112			<b>129917</b>	AN-GT-09-112
	45mm	<b>129673</b>	F4B-GT-45M			<b>129948</b>	AN-GT-09-45M
210	1-15/16	<b>129653</b>	F4B-GT-115	<b>129471</b>	F4B-GT-10	<b>129918</b>	AN-GT-10-115
	2	<b>129654</b>	F4B-GT-200			<b>129919</b>	AN-GT-10-200
	50mm	<b>129674</b>	F4B-GT-50M			<b>129949</b>	AN-GT-10-50M
211	2	<b>129687</b>	F4B-GTM-200	<b>129472</b>	F4B-GT-11	<b>129932</b>	AN-GTM-11-200
	2-3/16	<b>129655</b>	F4B-GT-203			<b>129920</b>	AN-GT-11-203
	2-1/4	<b>129379</b>	F4B-GT-204			<b>129956</b>	AN-GT-11-204
	55mm	<b>129675</b>	F4B-GT-55M			<b>129950</b>	AN-GT-11-55M
212	2-1/4	<b>129689</b>	F4B-GTM-204	<b>129473</b>	F4B-GT-12	<b>129934</b>	AN-GTM-12-204
	2-7/16	<b>129656</b>	F4B-GT-207			<b>129921</b>	AN-GT-12-207
	60mm	<b>129676</b>	F4B-GT-60M			<b>129951</b>	AN-GT-12-60M
214	2-1/2	<b>129691</b>	F4B-GTM-208	<b>129474</b>	F4B-GT-14	<b>129936</b>	AN-GTM-14-208
	2-11/16	<b>129657</b>	F4B-GT-211			<b>129922</b>	AN-GT-14-211
	70mm	<b>129677</b>	F4B-GT-70M			<b>129952</b>	AN-GT-14-70M
215	2-15/16	<b>129658</b>	F4B-GT-215	<b>129475</b>	F4B-GT-15	<b>129923</b>	AN-GT-15-215
	3	@	F4B-GT-300			<b>129987</b>	AN-GT-15-300
	75mm	<b>129678</b>	F4B-GT-75M			<b>129953</b>	AN-GT-15-75M

@Assembled to order

FEATURES/BENEFITS PAGE B2-2	HOW TO ORDER/NOMENCLATURE PAGE B2-4	SELECTION PAGE B2-5	RELATED PRODUCTS PAGE B2-96
--------------------------------	--	------------------------	--------------------------------

# SELECTION/DIMENSIONS



## GRIP TIGHT Adapter Ball Bearings GT NORMAL DUTY 4 BOLT FLANGE BEARINGS

Series	Shaft Size	Weight lbs kg	A	B	C#	D	F Bolt Dia.	H	J	L	N	Z
208	1-1/2	5.8	1-27/32	5-1/8	1-31/32	4	1/2	9/16	43/64	2-5/8	2-3/8	2-7/32
	1-5/8	5.6										
	40mm	2.6	46.8	130.2	50.0	101.6	M12	14.3	17.1	66.7	60.3	56.4
209	1-5/8	6.0	1-55/64	5-3/8	2	4-1/8	1/2	5/8	11/16	2-55/64	2-3/4	2-3/32
	1-11/16	6.0										
	1-3/4	5.9										
	45mm	2.7	47.2	136.5	50.8	104.8	M12	15.9	14.5	72.6	69.9	53.2
210	1-15/16	6.6	1-55/64	5-5/8	2-3/64	4-3/8	1/2	5/8	21/32	3-1/8	2-7/8	2-1/8
	2	6.5										
	50mm	3.1	47.2	142.9	52.0	111.1	M12	15.9	16.7	79.4	73.0	54.0
211	2	10.1	1-59/64	6-1/2	2-9/64	5-1/8	5/8	11/16	11/16	3-27/64	3-1/4	2-9/32
	2-3/16	9.7										
	2-1/4	9.6										
	55mm	5.0	48.8	165.1	54.4	130.2	M16	17.5	14.5	86.9	82.6	57.9
212	2-1/4	11.9	2-7/64	6-7/8	2-5/16	5-5/8	5/8	11/16	23/32	3-11/16	3-1/2	2-7/16
	2-7/16	11.2										
	60mm	5.9	53.6	174.6	58.7	142.9	M16	17.5	18.3	93.7	88.9	62.0
214	2-1/2	15.9	2-25/64	7-3/8	2-53/64	5-7/8	5/8	11/16	23/32	4	3-11/16	2-29/32
	2-11/16	15.4										
	70mm	6.6	60.7	187.3	71.8	149.2	M16	17.5	18.3	101.6	93.7	73.8
215	2-15/16	16.4	2-29/64	7-3/4	3-3/16	6	3/4	1	51/64	4-7/16	3-7/8	3-3/64
	3	16.2										
	75mm	8.6	62.309	196.9	81.0	152.4	M18	25.4	20.2	112.7	98.4	77.4

#C dimension will vary slightly depending on true shaft diameter.

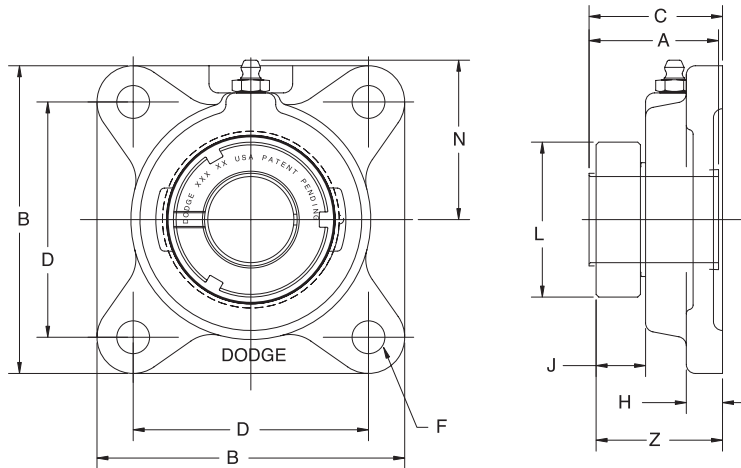
FEATURES/BENEFITS PAGE B2-2	HOW TO ORDER/NOMENCLATURE PAGE B2-4	SELECTION PAGE B2-5	RELATED PRODUCTS PAGE B2-96
--------------------------------	--	------------------------	--------------------------------

# SELECTION/DIMENSIONS



## GRIP TIGHT Adapter Ball Bearings GTAH AIR HANDLING NORMAL DUTY 4 BOLT FLANGE BEARINGS

Lube Fitting Thread Size -  
203 Series - 1/4-28 Tapered Thread  
204 Series and Large - 1/8-27 NPT



Series	Shaft Size	Complete Unit		Unit without Adapter Sleeve & Lock Nut		Adapter Sleeve & Lock Nut Assembly	
		Part No.	Description	Part No.	Description	Part No.	Description
203	1/2	@	F4B-GTAH-008	@	F4B-GTAH-03	<b>129902</b>	AN-GT-03-008
	5/8	@	F4B-GTAH-010			<b>129903</b>	AN-GT-03-010
	17mm	@	F4B-GTAH-17M			<b>129942</b>	AN-GT-03-17M
204	3/4	@	F4B-GTAH-012	@	F4B-GTAH-04	<b>129904</b>	AN-GT-04-012
	20mm	@	F4B-GTAH-20M			<b>129943</b>	AN-GT-04-20M
205	7/8	@	F4B-GTAH-014	<b>129476</b>	F4B-GTAH-05	<b>129905</b>	AN-GT-05-014
	15/16	@	F4B-GTAH-015			<b>129906</b>	AN-GT-05-015
	1	<b>129659</b>	F4B-GTAH-100			<b>129907</b>	AN-GT-05-100
	25mm	@	F4B-GTAH-25M			<b>129944</b>	AN-GT-05-25M
206	1-1/8	@	F4B-GTAH-102	<b>129477</b>	F4B-GTAH-06	<b>129908</b>	AN-GT-06-102
	1-3/16	<b>129660</b>	F4B-GTAH-103			<b>129909</b>	AN-GT-06-103
	1-1/4	@	F4B-GTAH-104S			<b>129910</b>	AN-GT-06-104S
	30mm	@	F4B-GTAH-30M			<b>129945</b>	AN-GT-06-30M
207	1-1/4	@	F4B-GTAH-104	<b>129478</b>	F4B-GTAH-07	<b>129911</b>	AN-GT-07-104
	1-3/8	@	F4B-GTAH-106			<b>129912</b>	AN-GT-07-106
	1-7/16	<b>129661</b>	F4B-GTAH-107			<b>129913</b>	AN-GT-07-107
	35mm	@	F4B-GTAH-35M			<b>129946</b>	AN-GT-07-35M

@Assembled to order

FEATURES/BENEFITS PAGE B2-2	HOW TO ORDER/NOMENCLATURE PAGE B2-4	SELECTION PAGE B2-5	RELATED PRODUCTS PAGE B2-96
--------------------------------	--	------------------------	--------------------------------

# SELECTION/DIMENSIONS



## GRIP TIGHT Adapter Ball Bearings GTAH AIR HANDLING NORMAL DUTY 4 BOLT FLANGE BEARINGS

Bearing Quick Reference

E-Z KLEEN

GRIP TIGHT Adapter Ball Bearing

Set Screw Ball Bearing

Eccentric Collar Ball Bearing

Series	Shaft Size	Weight lbs kg	A	B	C#	D	F Bolt Dia.	H	J	L	N	Z
203	1/2	1.4	1-19/64	3	1-27/64	2-1/8	3/8	7/16	39/64	1-13/32	1-11/16	1-29/64
	5/8	1.3										
	17mm	0.6	32.9	76.2	36.1	54.0	M10	11.1	15.5	35.7	42.9	36.9
204	3/4	1.7	1-15/32	3-3/8	1-39/64	2-1/2	3/8	7/16	5/8	1-1/2	1-15/16	1-43/64
	20mm	0.8	37.3	85.7	40.9	63.5	M10	11.1	15.9	38.1	49.2	42.5
205	7/8	2.2	1-29/64	3-3/4	1-35/64	2-3/4	7/16	1/2	19/32	1-51/64	2-1/16	1-39/64
	15/16	2.2										
	1	2.2										
206	25mm	1.0	36.9	95.3	39.3	69.9	M10	12.7	15.1	45.6	52.4	40.9
	1-1/8	3.8	1-39/64	4-1/4	1-45/64	3-1/4	7/16	1/2	19/32	2-5/64	2-3/16	1-3/4
	1-3/16	3.7										
	1-1/4	3.7										
207	30mm	1.7	40.9	108.0	43.3	82.6	M10	12.7	15.1	52.8	55.6	44.5
	1-1/4	4.4	1-5/8	4-3/4	1-49/64	3-5/8	1/2	9/16	17/32	2-3/8	2-7/16	1-55/64
	1-3/8	4.4										
	1-7/16	4.3										
207	35mm	2.0	41.3	120.7	44.8	92.1	M12	14.3	13.5	60.3	61.9	47.2

#C dimension will vary slightly depending on true shaft diameter.

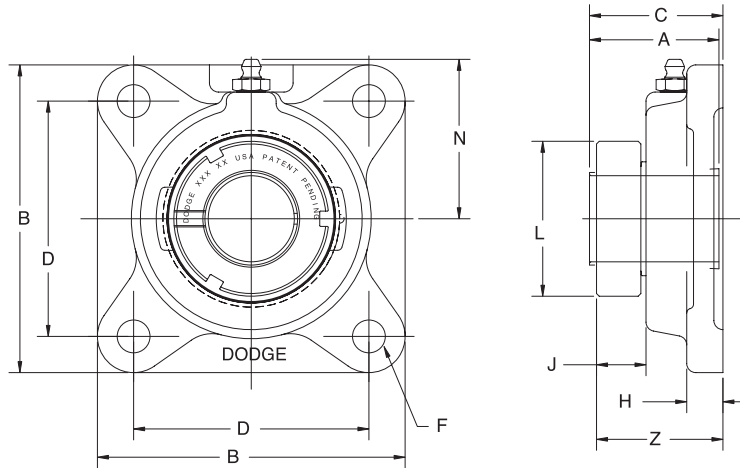
FEATURES/BENEFITS PAGE B2-2	HOW TO ORDER/NOMENCLATURE PAGE B2-4	SELECTION PAGE B2-5	RELATED PRODUCTS PAGE B2-96
--------------------------------	--	------------------------	--------------------------------

# SELECTION/DIMENSIONS



## GRIP TIGHT Adapter Ball Bearings GTAH AIR HANDLING NORMAL DUTY 4 BOLT FLANGE BEARINGS

Lube Fitting Thread Size -  
203 Series - 1/4-28 Tapered Thread  
204 Series and Large - 1/8-27 NPT



Series	Shaft Size	Complete Unit		Unit without Adapter Sleeve & Lock Nut		Adapter Sleeve & Lock Nut Assembly	
		Part No.	Description	Part No.	Description	Part No.	Description
208	1-1/2	@	F4B-GTAH-108	<b>129479</b>	F4B-GTAH-08	<b>129914</b>	AN-GT-08-108
	1-5/8	@	F4B-GTAH-110			<b>129955</b>	AN-GT-08-110
	40mm	@	F4B-GTAH-40M			<b>129947</b>	AN-GT-08-40M
209	1-5/8	@	F4B-GTAH-110L	<b>129480</b>	F4B-GTAH-09	<b>129915</b>	AN-GT-09-110L
	1-11/16	<b>129662</b>	F4B-GTAH-111			<b>129916</b>	AN-GT-09-111
	1-3/4	<b>065607</b>	F4B-GTAH-112			<b>129917</b>	AN-GT-09-112
	45mm	@	F4B-GTAH-45M			<b>129948</b>	AN-GT-09-45M
210	1-15/16	<b>129663</b>	F4B-GTAH-115	<b>129481</b>	F4B-GTAH-10	<b>129918</b>	AN-GT-10-115
	2	@	F4B-GTAH-200			<b>129919</b>	AN-GT-10-200
	50mm	<b>068273</b>	F4B-GTAH-50M			<b>129949</b>	AN-GT-10-50M
211	2	@	F4B-GTMAH-200	<b>129482</b>	F4B-GTAH-11	<b>129932</b>	AN-GTM-11-200
	2-3/16	<b>129664</b>	F4B-GTAH-203			<b>129920</b>	AN-GT-11-203
	2-1/4	@	F4B-GTAH-204			<b>129956</b>	AN-GT-11-204
	55mm	@	F4B-GTAH-55M			<b>129950</b>	AN-GT-11-55M
212	2-1/4	@	F4B-GTMAH-204	<b>129483</b>	F4B-GTAH-12	<b>129934</b>	AN-GTM-12-204
	2-7/16	<b>129665</b>	F4B-GTAH-207			<b>129921</b>	AN-GT-12-207
	60mm	@	F4B-GTAH-60M			<b>129951</b>	AN-GT-12-60M
214	2-1/2	@	F4B-GTMAH-208	<b>129484</b>	F4B-GTAH-14	<b>129936</b>	AN-GTM-14-208
	2-11/16	@	F4B-GTAH-211			<b>129922</b>	AN-GT-14-211
	70mm	@	F4B-GTAH-70M			<b>129952</b>	AN-GT-14-70M
215	2-15/16	<b>129666</b>	F4B-GTAH-215	<b>129485</b>	F4B-GTAH-15	<b>129923</b>	AN-GT-15-215
	3	@	F4B-GTAH-300			<b>129987</b>	AN-GT-15-300
	75mm	@	F4B-GTAH-75M			<b>129953</b>	AN-GT-15-75M

@Assembled to order

FEATURES/BENEFITS PAGE B2-2	HOW TO ORDER/NOMENCLATURE PAGE B2-4	SELECTION PAGE B2-5	RELATED PRODUCTS PAGE B2-96
--------------------------------	--	------------------------	--------------------------------

# SELECTION/DIMENSIONS



## GRIP TIGHT Adapter Ball Bearings GTAH AIR HANDLING NORMAL DUTY 4 BOLT FLANGE BEARINGS

Bearing Quick Reference

E-Z KLEEN

GRIP TIGHT Adapter Ball Bearing

Set Screw Ball Bearing

Eccentric Collar Ball Bearing

Series	Shaft Size	Weight lbs kg	A	B	C#	D	F Bolt Dia.	H	J	L	N	Z
208	1-1/2	5.8	1-27/32	5-1/8	1-31/32	4	1/2	9/16	43/64	2-5/8	2-3/8	2-7/32
	1-5/8	5.6										
	40mm	2.6	46.8	130.2	50.0	101.6	M12	14.3	17.1	66.7	60.3	56.4
209	1-5/8	6.0	1-55/64	5-3/8	2	4-1/8	1/2	5/8	11/16	2-55/64	2-3/4	2-3/32
	1-11/16	6.0										
	1-3/4	5.9										
	45mm	2.7	47.2	136.5	50.8	104.8	M12	15.9	17.5	72.6	69.9	53.2
210	1-15/16	6.6	1-55/64	5-5/8	2-3/64	4-3/8	1/2	5/8	21/32	3-1/8	2-7/8	2-1/8
	2	6.5										
	50mm	3.1	47.2	142.9	52.0	111.1	M12	15.9	16.7	79.4	73.0	54.0
211	2	10.1	1-59/64	6-1/2	2-9/64	5-1/8	5/8	11/16	11/16	3-27/64	3-1/4	2-9/32
	2-3/16	9.7										
	2-1/4	9.6										
	55mm	5.0	48.8	165.1	54.4	130.2	M16	17.5	17.5	86.9	82.6	57.9
212	2-1/4	11.9	2-7/64	6-7/8	2-5/16	5-5/8	5/8	11/16	23/32	3-11/16	3-1/2	2-7/16
	2-7/16	11.2										
	60mm	5.9	53.6	174.6	58.7	142.9	M16	17.5	18.3	93.7	88.9	61.9
214	2-1/2	15.9	2-25/64	7-3/8	2-53/64	5-7/8	5/8	11/16	23/32	4	3-11/16	2-29/32
	2-11/16	15.4										
	70mm	6.6	60.7	187.3	71.8	149.2	M16	17.5	18.3	10.6	93.7	73.8
215	2-15/16	16.4	2-29/64	7-3/4	3-3/16	6	3/4	1	51/64	4-7/16	3-7/8	3-3/64
	3	16.2										
	75mm	8.6	62.3	196.9	81.0	152.4	M18	25.4	20.2	112.7	98.4	77.4

#C dimension will vary slightly depending on true shaft diameter.

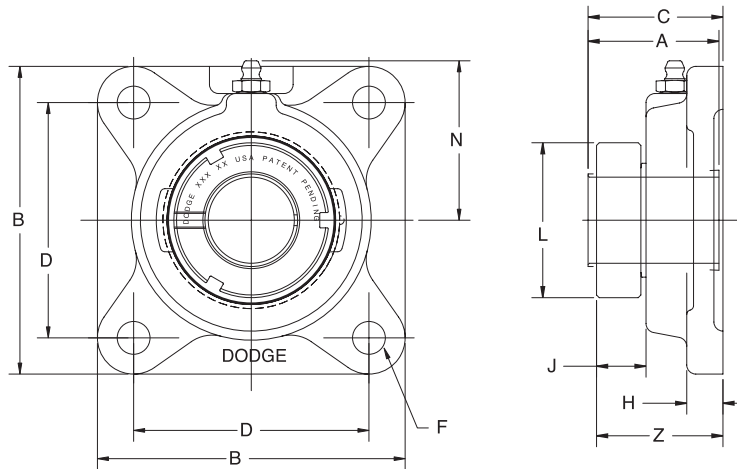
FEATURES/BENEFITS PAGE B2-2	HOW TO ORDER/NOMENCLATURE PAGE B2-4	SELECTION PAGE B2-5	RELATED PRODUCTS PAGE B2-96
--------------------------------	--	------------------------	--------------------------------

# SELECTION/DIMENSIONS



## GRIP TIGHT Adapter Ball Bearings GTM MEDIUM DUTY 4 BOLT FLANGE BEARINGS

Lube Fitting Thread Size -  
1/8 - 27 NPT



Series	Shaft Size	Complete Unit		Unit without Adapter Sleeve & Lock Nut		Adapter Sleeve & Lock Nut Assembly	
		Part No.	Description	Part No.	Description	Part No.	Description
205	3/4	<b>129679</b>	F4B-GTM-012	<b>129466</b>	F4B-GT-05	<b>129924</b>	AN-GTM-05-012
206	1 25mm	<b>129680</b>	F4B-GTM-100	<b>129467</b>	F4B-GT-06	<b>129925</b>	AN-GTM-06-100
		<b>136275</b>	F4B-GTM-25M			<b>129957</b>	AN-GTM-06-25M
207	1-3/16	<b>129681</b>	F4B-GTM-103	<b>129468</b>	F4B-GT-07	<b>129926</b>	AN-GTM-07-103
	1-1/4	<b>129646</b>	F4B-GT-104			<b>129911</b>	AN-GT-07-104
	30mm	<b>136276</b>	F4B-GTM-30M			<b>129954</b>	AN-GTM-07-30M
208	1-7/16	<b>129682</b>	F4B-GTM-107	<b>129469</b>	F4B-GT-08	<b>129927</b>	AN-GTM-08-107
	35mm	<b>136277</b>	F4B-GTM-35M			<b>129958</b>	AN-GTM-08-35M
209	1-1/2	<b>129683</b>	F4B-GTM-108	<b>129470</b>	F4B-GT-09	<b>129928</b>	AN-GTM-09-108
	40mm	<b>136278</b>	F4B-GTM-40M			<b>129959</b>	AN-GTM-09-40M
210	1-11/16	<b>129684</b>	F4B-GTM-111	<b>129471</b>	F4B-GT-10	<b>129929</b>	AN-GTM-10-111
	1-3/4	<b>129685</b>	F4B-GTM-112			<b>129930</b>	AN-GTM-10-112
	45mm	<b>136279</b>	F4B-GTM-45M			<b>129960</b>	AN-GTM-10-45M

@Assembled to order

FEATURES/BENEFITS  
PAGE B2-2

HOW TO ORDER/NOMENCLATURE  
PAGE B2-4

SELECTION  
PAGE B2-5

RELATED PRODUCTS  
PAGE B2-96



# SELECTION/DIMENSIONS



## GRIP TIGHT Adapter Ball Bearings GTM MEDIUM DUTY 4 BOLT FLANGE BEARINGS

Bearing Quick Reference

E-Z KLEEN

GRIP TIGHT Adapter Ball Bearing

Set Screw Ball Bearing

Eccentric Collar Ball Bearing

Series	Shaft Size	Weight lbs. kg	A	B	C#	D	F Bolt Dia.	H	J	L	N	Z
205	3/4	2.3	1-29/64	3-3/4	1-35/64	2-3/4	7/16	1/2	21/32	1-51/64	2-1/16	1-39/64
206	1	3.9	1-39/64	4-1/4	1-45/64	3-1/4	7/16	1/2	11/16	2-5/64	2-3/16	1-3/4
	25mm	1.9	40.9	108.0	43.3	82.6	M10	12.7	17.5	52.8	55.6	44.5
207	1-3/16	4.5	1-5/8	4-3/4	1-49/64	3-5/8	1/2	9/16	41/64	2-3/8	2-7/16	1-55/64
	1-1/4	4.4										
	30mm	2.2	41.3	120.7	44.8	92.1	M12	14.3	16.3	60.3	61.9	47.2
208	1-7/16	5.9	1-27/32	5-1/8	1-31/32	4	1/2	9/16	43/64	2-5/8	2-3/8	2-7/32
	35mm	2.9	46.8	130.2	50.0	101.6	M12	14.3	17.1	66.7	60.3	56.4
209	1-1/2	6.1	1-55/64	5-3/8	2	4-1/8	1/2	5/8	11/16	2-55/64	2-3/4	2-3/32
	40mm	3.0	47.2	136.5	50.8	104.8	M12	15.9	17.5	72.6	69.9	53.2
210	1-11/16	7.1	1-55/64	5-5/8	2-3/64	4-3/8	1/2	5/8	21/32	3-1/8	2-7/8	2-1/8
	1-3/4	7.0										
	45mm	3.4	47.2	142.9	52.0	111.1	M12	15.9	16.7	79.4	73.0	54.0

#C dimension will vary slightly depending on true shaft diameter.

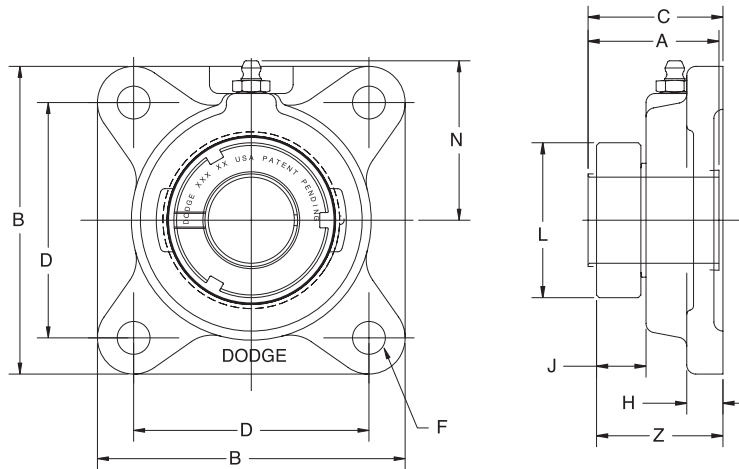
FEATURES/BENEFITS PAGE B2-2	HOW TO ORDER/NOMENCLATURE PAGE B2-4	SELECTION PAGE B2-5	RELATED PRODUCTS PAGE B2-96
--------------------------------	--	------------------------	--------------------------------

# SELECTION/DIMENSIONS



## GRIP TIGHT Adapter Ball Bearings GTM MEDIUM DUTY 4 BOLT FLANGE BEARINGS

Lube Fitting Thread Size -  
1/8 - 27 NPT



Series	Shaft Size	Complete Unit		Unit without Adapter Sleeve & Lock Nut		Adapter Sleeve & Lock Nut Assembly	
		Part No.	Description	Part No.	Description	Part No.	Description
211	1-15/16	<b>129686</b>	F4B-GTM-115	<b>129472</b>	F4B-GT-11	<b>129931</b>	AN-GTM-11-115
	2	<b>129687</b>	F4B-GTM-200			<b>129932</b>	AN-GTM-11-200
	50mm	<b>136280</b>	F4B-GTM-50M			<b>129961</b>	AN-GTM-11-50M
212	2-3/16	<b>129688</b>	F4B-GTM-203	<b>129473</b>	F4B-GT-12	<b>129933</b>	AN-GTM-12-203
	2-1/4	<b>129689</b>	F4B-GTM-204			<b>129934</b>	AN-GTM-12-204
	55mm	<b>136281</b>	F4B-GTM-55M			<b>129962</b>	AN-GTM-12-55M
214	2-7/16	<b>129690</b>	F4B-GTM-207	<b>129474</b>	F4B-GT-14	<b>129935</b>	AN-GTM-14-207
	2-1/2	<b>129691</b>	F4B-GTM-208			<b>129936</b>	AN-GTM-14-208
	65mm	<b>136282</b>	F4B-GTM-65M			<b>129963</b>	AN-GTM-14-65M
215	2-11/16	<b>129692</b>	F4B-GTM-211	<b>129475</b>	F4B-GT-15	<b>129937</b>	AN-GTM-15-211
	70mm	<b>136283</b>	F4B-GTM-70M			<b>129964</b>	AN-GTM-15-70M
216	2-15/16	<b>129693</b>	F4B-GTM-215	<b>129486</b>	F4B-GT-16	<b>129938</b>	AN-GTM-16-215
	3	<b>129694</b>	F4B-GTM-300			<b>129939</b>	AN-GTM-16-300
	75mm	<b>136284</b>	F4B-GTM-75M			<b>129965</b>	AN-GTM-16-75M
218	3-7/16	<b>129695</b>	F4B-GTM-307	<b>129487</b>	F4B-GT-18	<b>129940</b>	AN-GTM-18-307
	3-1/2	<b>129696</b>	F4B-GTM-308			<b>129941</b>	AN-GTM-18-308
	85mm	<b>136285</b>	F4B-GTM-85M			<b>129966</b>	AN-GTM-18-85M

@Assembled to order

FEATURES/BENEFITS PAGE B2-2	HOW TO ORDER/NOMENCLATURE PAGE B2-4	SELECTION PAGE B2-5	RELATED PRODUCTS PAGE B2-96
--------------------------------	--	------------------------	--------------------------------

# SELECTION/DIMENSIONS



## GRIP TIGHT Adapter Ball Bearings GTM MEDIUM DUTY 4 BOLT FLANGE BEARINGS

Bearing Quick Reference

E-Z KLEEN

GRIP TIGHT Adapter Ball Bearing

Set Screw Ball Bearing

Eccentric Collar Ball Bearing

Series	Shaft Size	Weight lbs. / kg	A	B	C#	D	F Bolt Dia.	H	J	L	N	Z
211	1-15/16	11.1	1-59/64	6-1/2	2-9/64	5-1/8	5/8	11/16	11/16	3-27/64	3-1/4	2-9/32
	2 50mm	11.0 5.4	48.8	165.1	54.4	130.2	M16	17.5	17.5	86.9	82.6	57.9
212	2-3/16	13.4	2-7/64	6-7/8	2-5/16	5-5/8	5/8	11/16	23/32	3-11/16	3-1/2	2-7/16
	2-1/4 55mm	13.3 6.5	53.6	174.6	58.7	142.9	M16	17.5	18.3	93.7	88.9	61.9
214	2-7/16	14.7	2-25/64	7-3/8	2-53/64	5-7/8	5/8	11/16	23/32	4	3-11/16	2-29/32
	2-1/2 65mm	14.6 7.1	60.7	187.3	71.8	149.2	M16	17.5	18.3	101.6	93.7	73.8
215	2-11/16	19.0	2-29/64	7-3/4	3-3/16	6	3/4	1	51/64	4-7/16	3-7/8	3-3/64
	70mm	9.2	62.3	196.9	81.0	152.4	M18	25.4	20.2	112.7	98.4	77.4
216	2-15/16	20.7	2-11/16	7-3/4	3-3/8	6	3/4	7/8	57/64	4-11/16	4-9/32	3-25/64
	3 75mm	20.6 10.0	68.3	196.9	85.7	152.4	M18	22.2	22.6	119.1	108.7	86.1
218	3-7/16	36.1	2-51/64	8-7/16	3-37/64	6-3/4	3/4	1	53.64	5-3/16	4-5/8	3-39/64
	3-1/2 85mm	17.5	71.0	214.3	90.9	171.5	M18	25.4	21.0	131.8	117.5	91.7

#C dimension will vary slightly depending on true shaft diameter.

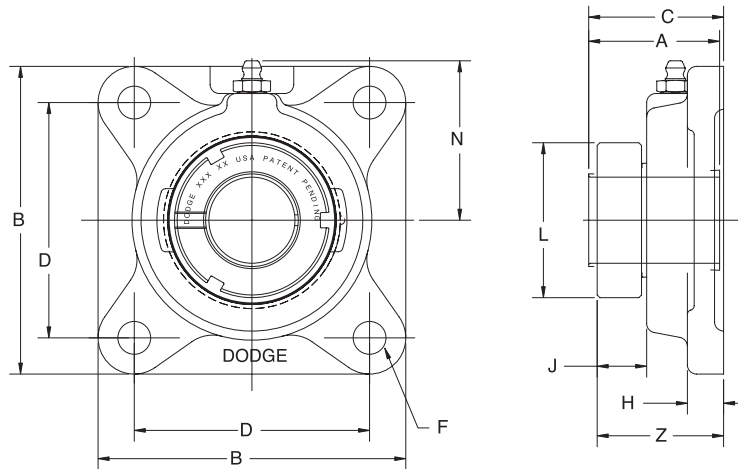
FEATURES/BENEFITS PAGE B2-2	HOW TO ORDER/NOMENCLATURE PAGE B2-4	SELECTION PAGE B2-5	RELATED PRODUCTS PAGE B2-96
--------------------------------	--	------------------------	--------------------------------

# SELECTION/DIMENSIONS



## GRIP TIGHT Adapter Ball Bearings GTMAH AIR HANDLING MEDIUM DUTY 4 BOLT FLANGE BEARINGS

Lube Fitting Thread Size -  
1/8 - 27 NPT



Series	Shaft Size	Complete Unit		Unit without Adapter Sleeve & Lock Nut		Adapter Sleeve & Lock Nut Assembly	
		Part No.	Description	Part No.	Description	Part No.	Description
205	3/4	@	F4B-GTMAH-012	<b>129476</b>	F4B-GTAH-05	<b>129924</b>	AN-GTM-05-012
206	1 25mm	<b>129697</b>	F4B-GTMAH-100	<b>129477</b>	F4B-GTAH-06	<b>129925</b>	AN-GTM-06-100
		@	F4B-GTMAH-25M			<b>129957</b>	AN-GTM-06-25M
207	1-3/16 1-1/4 30mm	<b>129698</b>	F4B-GTMAH-103	<b>129478</b>	F4B-GTAH-07	<b>129926</b>	AN-GTM-07-103
		@	F4B-GTAH-104			<b>129911</b>	AN-GT-07-104
		@	F4B-GTMAH-30M			<b>129954</b>	AN-GTM-07-30M
208	1-7/16 35mm	<b>129699</b>	F4B-GTMAH-107	<b>129479</b>	F4B-GTAH-08	<b>129927</b>	AN-GTM-08-107
		@	F4B-GTMAH-35M			<b>129958</b>	AN-GTM-08-35M
209	1-1/2 40mm	@	F4B-GTMAH-108	<b>129480</b>	F4B-GTAH-09	<b>129928</b>	AN-GTM-09-108
		@	F4B-GTMAH-40M			<b>129959</b>	AN-GTM-09-40M
210	1-11/16 1-3/4 45mm	<b>064670</b>	F4B-GTMAH-111	<b>129481</b>	F4B-GTAH-10	<b>129929</b>	AN-GTM-10-111
		@	F4B-GTMAH-112			<b>129930</b>	AN-GTM-10-112
		@	F4B-GTMAH-45M			<b>129960</b>	AN-GTM-10-45M

@Assembled to order

FEATURES/BENEFITS PAGE B2-2	HOW TO ORDER/NOMENCLATURE PAGE B2-4	SELECTION PAGE B2-5	RELATED PRODUCTS PAGE B2-96
--------------------------------	--	------------------------	--------------------------------

# SELECTION/DIMENSIONS



## GRIP TIGHT Adapter Ball Bearings GTMAH AIR HANDLING MEDIUM DUTY 4 BOLT FLANGE BEARINGS

Bearing Quick Reference

E-Z KLEEN

GRIP TIGHT Adapter Ball Bearing

Set Screw Ball Bearing

Eccentric Collar Ball Bearing

Series	Shaft Size	Weight lbs. kg	A	B	C#	D	F Bolt Dia.	H	J	L	N	Z
205	3/4	2.3	1-29/64	3-3/4	1-35/64	2-3/4	7/16	1/2	21/32	1-51/64	2-1/16	1-35/64
206	1	3.9	1-39/64	4-1/4	1-45/64	3-1/4	7/16	1/2	11/16	2-5/64	2-3/16	1-3/4
	25mm	1.9	40.9	108.0	43.3	82.6	M10	12.7	17.5	52.8	55.6	44.5
207	1-3/16	4.5	1-5/8	4-3/4	1-49/64	3-5/8	1/2	9/16	41/64	2-3/8	2-7/16	1-55/64
	1-1/4	4.4										
	30mm	2.2	41.3	120.7	44.8	92.1	M12	14.3	16.3	60.3	61.9	47.2
208	1-7/16	5.9	1-27/32	5-1/8	1-31/32	4	1/2	9/16	43/64	2-5/8	2-3/8	2-7/32
	35mm	2.9	46.8	130.2	50.0	101.6	M12	14.3	17.1	66.7	60.3	56.4
209	1-1/2	6.1	1-55/64	5-3/8	2	4-1/8	1/2	5/8	11/16	2-55/64	2-3/4	2-3/32
	40mm	3.0	47.2	136.5	50.8	104.8	M12	15.9	17.5	72.6	69.9	53.2
210	1-11/16	7.1	1-55/64	5-5/8	2-3/64	4-3/8	1/2	5/8	21/32	3-1/8	2-7/8	2-1/8
	1-3/4	7.0										
	45mm	3.4	47.2	142.9	52.0	111.1	M12	15.9	16.7	79.4	73.0	54.0

#C dimension will vary slightly depending on true shaft diameter.

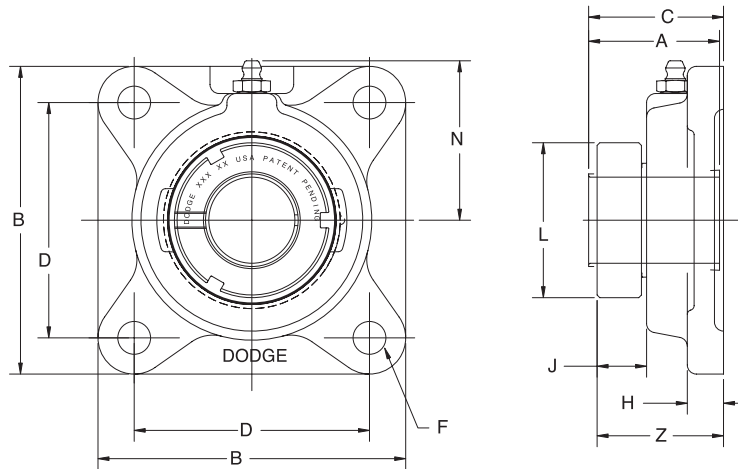
FEATURES/BENEFITS PAGE B2-2	HOW TO ORDER/NOMENCLATURE PAGE B2-4	SELECTION PAGE B2-5	RELATED PRODUCTS PAGE B2-96
--------------------------------	--	------------------------	--------------------------------

# SELECTION/DIMENSIONS



## GRIP TIGHT Adapter Ball Bearings GTMAH AIR HANDLING MEDIUM DUTY 4 BOLT FLANGE BEARINGS

Lube Fitting Thread Size -  
1/8 - 27 NPT



Series	Shaft Size	Complete Unit		Unit without Adapter Sleeve & Lock Nut		Adapter Sleeve & Lock Nut Assembly	
		Part No.	Description	Part No.	Description	Part No.	Description
211	1-15/16	<b>129700</b>	F4B-GTMAH-115	<b>129482</b>	F4B-GTAH-11	<b>129931</b>	AN-GTM-11-115
	2	@	F4B-GTMAH-200			<b>129932</b>	AN-GTM-11-200
	50mm	@	F4B-GTMAH-50M			<b>129961</b>	AN-GTM-11-50M
212	2-3/16	<b>129701</b>	F4B-GTMAH-203	<b>129483</b>	F4B-GTAH-12	<b>129933</b>	AN-GTM-12-203
	2-1/4	@	F4B-GTMAH-204			<b>129934</b>	AN-GTM-12-204
	55mm	@	F4B-GTMAH-55M			<b>129962</b>	AN-GTM-12-55M
214	2-7/16	<b>129702</b>	F4B-GTMAH-207	<b>129484</b>	F4B-GTAH-14	<b>129935</b>	AN-GTM-14-207
	2-1/2	@	F4B-GTMAH-208			<b>129936</b>	AN-GTM-14-208
	65mm	@	F4B-GTMAH-65M			<b>129963</b>	AN-GTM-14-65M
215	2-11/16	@	F4B-GTMAH-211	<b>129485</b>	F4B-GTAH-15	<b>129937</b>	AN-GTM-11-211
	70mm	@	F4B-GTMAH-70M			<b>129964</b>	AN-GTM-11-70M
216	2-15/16	<b>129703</b>	F4B-GTMAH-215	<b>129488</b>	F4B-GTAH-16	<b>129938</b>	AN-GTM-16-215
	3	@	F4B-GTMAH-300			<b>129939</b>	AN-GTM-16-300
	75mm	@	F4B-GTMAH-75M			<b>129965</b>	AN-GTM-16-75M
218	3-7/16	<b>129704</b>	F4B-GTMAH-307	<b>129489</b>	F4B-GTAH-18	<b>129940</b>	AN-GTM-18-307
	3-1/2	@	F4B-GTMAH-308			<b>129941</b>	AN-GTM-18-308
	85mm	@	F4B-GTMAH-85M			<b>129966</b>	AN-GTM-18-85M

@Assembled to order

FEATURES/BENEFITS PAGE B2-2	HOW TO ORDER/NOMENCLATURE PAGE B2-4	SELECTION PAGE B2-5	RELATED PRODUCTS PAGE B2-96
--------------------------------	--	------------------------	--------------------------------

# SELECTION/DIMENSIONS



Bearing Quick Reference

E-Z KLEEN

GRIP TIGHT Adapter Ball Bearing

Set Screw Ball Bearing

Eccentric Collar Ball Bearing

Series	Shaft Size	Weight lbs. kg	A	B	C#	D	F Bolt Dia.	H	J	L	N	Z
211	1-15/16	11.1	1-59/64	6-1/2	2-9/64	5-1/8	5/8	11/16	11/16	3-1/4	3-1/4	2-9/32
	2 50mm	11.0 5.4	48.8	165.1	54.4	130.2	M16	17.5	17.5	82.6	82.6	57.9
212	2-3/16	13.4	2-7/64	6-7/8	2-5/16	5-5/8	5/8	11/16	23/32	3-1/2	3-1/2	2-7/16
	2-1/4 55mm	13.3 6.5	53.6	174.6	58.7	142.9	M16	17.5	18.3	88.9	88.9	61.9
214	2-7/16	14.7	2-25/64	7-3/8	2-53/64	5-7/8	5/8	11/16	23/32	3-13/16	3-11/16	2-29/32
	2-1/2 65mm	14.6 7.1	60.7	187.3	71.8	149.2	M16	17.5	18.3	96.8	93.7	73.8
215	2-11/16	19.0	2-29/64	7-3/4	3-3/16	6	3/4	1	51/64	4-1/4	3-7/8	3-3/64
	70mm	9.2	62.3	196.9	81.0	152.4	M18	25.4	20.2	108.0	98.4	77.4
216	2-15/16	20.7	2-11/16	7-3/4	3-3/8	6	3/4	7/8	57/64	4-1/2	4-9/32	3-25/64
	3 75mm	20.6 10.0	68.3	196.9	85.7	152.4	M18	22.2	22.6	108.7	104.0	86.1
218	3-7/16	36.1	2-51/64	8-7/16	3-37/64	6-3/4	3/4	1	53/64	5	4-5/8	3-39/64
	85mm	17.5	71.0	214.3	90.9	171.5	M18	25.4	21.0	127.0	117.5	91.7

#C dimension will vary slightly depending on true shaft diameter.

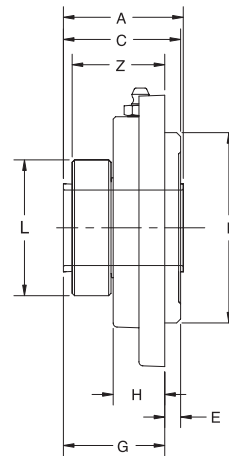
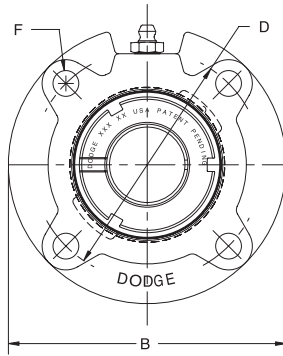
FEATURES/BENEFITS PAGE B2-2	HOW TO ORDER/NOMENCLATURE PAGE B2-4	SELECTION PAGE B2-5	RELATED PRODUCTS PAGE B2-96
--------------------------------	--	------------------------	--------------------------------

# SELECTION/DIMENSIONS



## GRIP TIGHT Adapter Ball Bearings GT NORMAL DUTY PILOTED FLANGE BEARINGS

Lube Fitting Thread Size -  
1/8 - 27 NPT



Series	Shaft Size	Complete Unit		Unit without Adapter Sleeve & Lock Nut		Adapter Sleeve & Lock Nut Assembly	
		Part No.	Description	Part No.	Description	Part No.	Description
206	1-1/8	<b>129735</b>	FC-GT-102	<b>129501</b>	FC-GT-06	<b>129908</b>	AN-GT-06-102
	1-3/16	<b>129736</b>	FC-GT-103			<b>129909</b>	AN-GT-06-103
	1-1/4	<b>129737</b>	FC-GT-104S			<b>129910</b>	AN-GT-06-104S
	30mm	<b>129750</b>	FC-GT-30M			<b>129945</b>	AN-GT-06-30M
207	1-1/4	<b>129738</b>	FC-GT-104	<b>129502</b>	FC-GT-07	<b>129911</b>	AN-GT-07-104
	1-3/8	<b>129739</b>	FC-GT-106			<b>129912</b>	AN-GT-07-106
	1-7/16	<b>129740</b>	FC-GT-107			<b>129913</b>	AN-GT-07-107
	35mm	<b>129751</b>	FC-GT-35M			<b>129946</b>	AN-GT-07-35M
208	1-1/2	<b>129741</b>	FC-GT-108	<b>129503</b>	FC-GT-08	<b>129914</b>	AN-GT-08-108
	1-5/8	<b>129375</b>	FC-GT-110			<b>129955</b>	AN-GT-08-110
	40mm	<b>129752</b>	FC-GT-40M			<b>129947</b>	AN-GT-08-40M
209	1-5/8	<b>129742</b>	FC-GT-110L	<b>129504</b>	FC-GT-09	<b>129915</b>	AN-GT-09-110L
	1-11/16	<b>129743</b>	FC-GT-111			<b>129916</b>	AN-GT-09-111
	1-3/4	<b>129744</b>	FC-GT-112			<b>129917</b>	AN-GT-09-112
	45mm	<b>129753</b>	FC-GT-45M			<b>129948</b>	AN-GT-09-45M
210	1-15/16	<b>129745</b>	FC-GT-115	<b>129505</b>	FC-GT-10	<b>129918</b>	AN-GT-10-115
	2	<b>129746</b>	FC-GT-200			<b>129919</b>	AN-GT-10-200
	50mm	<b>129754</b>	FC-GT-50M			<b>129949</b>	AN-GT-10-50M
211	2	<b>129765</b>	FC-GTM-200	<b>129506</b>	FC-GT-11	<b>129932</b>	AN-GTM-11-200
	2-3/16	<b>129747</b>	FC-GT-203			<b>129920</b>	AN-GT-11-203
	2-1/4	<b>129380</b>	FC-GT-204			<b>129956</b>	AN-GT-11-204
	55mm	<b>129755</b>	FC-GT-55M			<b>129950</b>	AN-GT-11-55M
212	2-1/4	<b>129767</b>	FC-GTM-204	<b>129507</b>	FC-GT-12	<b>129934</b>	AN-GTM-12-204
	2-7/16	<b>129748</b>	FC-GT-207			<b>129921</b>	AN-GT-12-207
	60mm	<b>129756</b>	FC-GT-60M			<b>129951</b>	AN-GT-12-60M
214	2-1/2	<b>129769</b>	FC-GTM-208	<b>129508</b>	FC-GT-14	<b>129936</b>	AN-GTM-14-208
	2-11/16	<b>129749</b>	FC-GT-211			<b>129922</b>	AN-GT-14-211
	70mm	<b>129757</b>	FC-GT-70M			<b>129952</b>	AN-GT-14-70M

FEATURES/BENEFITS PAGE B2-2	HOW TO ORDER/NOMENCLATURE PAGE B2-4	SELECTION PAGE B2-5	RELATED PRODUCTS PAGE B2-96
--------------------------------	--	------------------------	--------------------------------



# SELECTION/DIMENSIONS



## GRIP TIGHT Adapter Ball Bearings GT NORMAL DUTY PILOTED FLANGE BEARINGS

Series	Shaft Size	Weight lbs kg	A	B	C#	D	E	F Bolt Dia.	G#	H	K*	L	Z
206	1-1/8	3.0	1-39/64	4-3/8	1-43/64	3-5/8	1/4	3/8	1-27/64	13/16	3	2-5/64	1-15/32
	1-3/16	3.0											
	1-1/4	3.0											
	30mm	1.4	40.9	111.1	42.5	92.1	6.4	M10	36.1	20.6	76.2	52.8	37.3
207	1-1/4	4.1	1-5/8	5	1-51/64	4-1/8	3/8	3/8	1-27/64	27/32	3-3/8	2-3/8	1-1/2
	1-3/8	4.0											
	1-7/16	4.0											
	35mm	1.6	41.3	127.0	45.6	104.8	9.5	M10	36.1	21.4	85.7	60.3	38.1
208	1-1/2	4.9	1-27/32	5-1/4	1-31/32	4-3/8	7/16	7/16	1-17/32	57/64	3-5/8	2-5/8	1-37/64
	1-5/8	4.7											
	40mm	2.1	46.8	133.4	50.0	111.1	11.1	M12	38.9	22.6	92.1	66.7	40.1
	1-5/8	6.2	1-55/64	5-3/4	1-61/64	4-3/4	7/16	1/2	1-33/64	29/32	4	2-55/64	1-39/64
209	1-11/16	6.1											
	1-3/4	6.1											
	45mm	2.5	47.2	146.1	49.6	120.7	11.1	M12	38.5	23.0	101.6	72.6	40.9
	1-15/16	6.2	1-55/64	6-1/8	2	5-1/8	15/32	1/2	1-17/32	59/64	4-1/4	3-1/8	1-19/32
210	2	6.2											
	50mm	2.6	47.2	155.6	50.8	130.2	11.9	M12	38.9	23.4	108.0	79.4	40.5
	2	8.0	1-59/64	6-3/8	2-7/32	5-3/8	5/8	1/2	1-19/32	1	4-1/2	3-27/64	1-23/32
	2-3/16	8.0											
211	2-1/4	6.9											
	55mm	3.4	48.8	161.9	56.4	136.5	15.9	M12	40.5	25.4	114.3	86.9	43.7
	2-1/4	11.6	2-7/64	7-1/8	2-15/32	6	7/8	1/2	1-19/32	1	5	3-11/16	1-23/32
	2-7/16	11.6											
212	60mm	4.9	53.6	181.0	62.7	152.4	22.2	M12	40.5	25.4	127.0	93.7	43.7
	2-1/2	13.8	2-25/64	7-5/8	2-53/64	6-1/2	1-1/8	1/2	1-45/64	1-1/16	5-1/2	4	1-25/32
	2-11/16	13.6											
	70mm	5.8	60.7	193.7	71.8	165.1	28.6	M12	43.3	27.0	139.7	101.6	45.2

#C & G dimensions will vary slightly depending on true shaft diameter.

\* +0.000" -0.002"

\* +0.00 -0.05mm

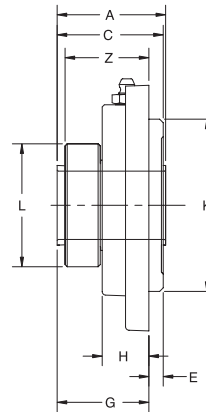
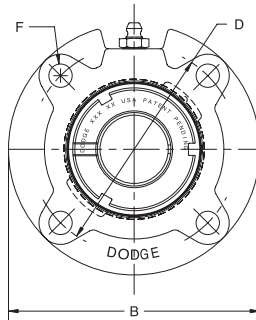
FEATURES/BENEFITS PAGE B2-2	HOW TO ORDER/NOMENCLATURE PAGE B2-4	SELECTION PAGE B2-5	RELATED PRODUCTS PAGE B2-96
--------------------------------	--	------------------------	--------------------------------

# SELECTION/DIMENSIONS



## GRIP TIGHT Adapter Ball Bearings GTM MEDIUM DUTY PILOTED FLANGE BEARINGS

Lube Fitting Thread Size -  
1/8 - 27 NPT



Series	Shaft Size	Complete Unit		Unit without Adapter Sleeve & Lock Nut		Adapter Sleeve & Lock Nut Assembly	
		Part No.	Description	Part No.	Description	Part No.	Description
206	1	<b>129758</b>	FC-GTM-100	<b>129501</b>	FC-GT-06	<b>129925</b>	AN-GTM-06-100
	25mm	<b>136286</b>	FC-GTM-25M			<b>129957</b>	AN-GTM-06-25M
207	1-3/16	<b>129759</b>	FC-GTM-103	<b>129502</b>	FC-GT-07	<b>129926</b>	AN-GTM-07-103
	1-1/4	<b>129738</b>	FC-GT-104			<b>129911</b>	AN-GT-07-104
	30mm	<b>136287</b>	FC-GTM-30M			<b>129954</b>	AN-GTM-07-30M
208	1-7/16	<b>129760</b>	FC-GTM-107	<b>129503</b>	FC-GT-08	<b>129927</b>	AN-GTM-08-107
	1-1/2	<b>129741</b>	FC-GT-108			<b>129914</b>	AN-GT-08-108
	35mm	<b>136288</b>	FC-GTM-35M			<b>129958</b>	AN-GTM-08-35M
209	1-1/2	<b>129761</b>	FC-GTM-108L	<b>129504</b>	FC-GT-09	<b>129928</b>	AN-GTM-09-108
	1-5/8	<b>129742</b>	FC-GT-110L			<b>129118</b>	AN-GT-09-110
	40mm	<b>136289</b>	FC-GTM-40M			<b>129959</b>	AN-GTM-09-40M
210	1-11/16	<b>129762</b>	FC-GTM-111	<b>129505</b>	FC-GT-10	<b>129929</b>	AN-GTM-10-111
	1-3/4	<b>129763</b>	FC-GTM-112			<b>129930</b>	AN-GTM-10-112
	45mm	<b>136290</b>	FC-GTM-45M			<b>129960</b>	AN-GTM-10-45M
211	1-15/16	<b>129764</b>	FC-GTM-115	<b>129506</b>	FC-GT-11	<b>129931</b>	AN-GTM-11-115
	2	<b>129765</b>	FC-GTM-200			<b>129932</b>	AN-GTM-11-200
	50mm	<b>136291</b>	FC-GTM-50M			<b>129961</b>	AN-GTM-11-50M
212	2-3/16	<b>129766</b>	FC-GTM-203	<b>129507</b>	FC-GT-12	<b>129933</b>	AN-GTM-12-203
	2-1/4	<b>129767</b>	FC-GTM-204			<b>129934</b>	AN-GTM-12-204
	55mm	<b>139292</b>	FC-GTM-55M			<b>129962</b>	AN-GTM-12-55M
214	2-7/16	<b>129768</b>	FC-GTM-207	<b>129508</b>	FC-GT-14	<b>129935</b>	AN-GTM-14-207
	2-1/2	<b>129769</b>	FC-GTM-208			<b>129936</b>	AN-GTM-14-208
	65mm	<b>136293</b>	FC-GTM-65M			<b>129963</b>	AN-GTM-14-65M
216	2-15/16	<b>129770</b>	FC-GTM-215	<b>129509</b>	FC-GT-16	<b>129938</b>	AN-GTM-16-215
	3	<b>129771</b>	FC-GTM-300			<b>129939</b>	AN-GTM-16-300
	75mm	<b>136294</b>	FC-GTM-75M			<b>129965</b>	AN-GTM-16-75M
218	3-7/16	<b>129772</b>	FC-GTM-307	<b>129510</b>	FC-GT-18	<b>129940</b>	AN-GTM-18-307
	3-1/2	<b>129773</b>	FC-GTM-308			<b>129941</b>	AN-GTM-18-308
	85mm	<b>136295</b>	FC-GTM-85M			<b>129966</b>	AN-GTM-18-85M

@Assembled to order

FEATURES/BENEFITS PAGE B2-2	HOW TO ORDER/NOMENCLATURE PAGE B2-4	SELECTION PAGE B2-5	RELATED PRODUCTS PAGE B2-96
--------------------------------	--	------------------------	--------------------------------

# SELECTION/DIMENSIONS



## GRIP TIGHT Adapter Ball Bearings GTM MEDIUM DUTY PILOTED FLANGE BEARINGS

Series	Shaft Size	Weight lbs kg	A	B	C#	D	E	F Bolt Dia.	G#	H	K*	L	Z
206	1	3.1	1-39/64	4-3/8	1-43/64	3-5/8	1/4	3/8	1-27/64	13/16	3	2-5/64	1-15/32
	25mm	1.5	40.9	111.1	42.5	92.1	6.4	M10	36.1	20.6	76.2	52.8	37.3
207	1-3/16	4.1	1-5/8	5	1-51/64	4-1/8	3/8	3/8	1-27/64	27/32	3-3/8	2-3/8	1-1/2
	1-1/4	4.1											
	30mm	2.0	41.3	127.0	45.6	104.8	9.5	M10	36.1	21.4	85.7	60.3	38.1
208	1-7/16	5.1	1-27/32	5-1/4	1-31/32	4-3/8	7/16	7/16	1-17/32	57/64	3-5/8	2-5/8	1-37/64
	1-1/2	4.9											
	35mm	2.5	46.8	133.4	50.0	111.1	11.1	M12	38.9	22.6	92.1	66.7	40.1
209	1-1/2	6.1	1-55/64	5-3/4	1-61/64	4-3/4	7/16	1/2	1-33/64	29/32	4	2-55/64	1-39/64
	1-5/8	6.1											
	40mm	3.0	47.2	146.1	49.6	120.7	11.1	M12	38.5	23.0	101.6	72.6	40.9
210	1-11/16	6.2	1-55/64	6-1/8	2	5-1/8	15/32	1/2	1-17/32	59/64	4-1/4	3-1/8	1-19/32
	1-3/4	6.2											
	45mm	3.0	47.2	155.6	50.8	130.2	11.9	M12	38.9	23.4	108.0	79.4	40.5
211	1-15/16	8.0	1-59/64	6-3/8	2-7/32	5-3/8	5/8	1/2	1-19/32	1	4-1/2	3-27/64	1-23/32
	2	8.0											
	50mm	3.9	48.8	161.9	56.4	136.5	15.9	M12	40.5	25.4	114.3	86.9	43.7
212	2-3/16	11.6	2-7/64	7-1/8	2-15/32	6	7/8	1/2	1-19/32	1	5	3-11/16	1-23/32
	2-1/4	11.6											
	55mm	5.6	53.6	181.0	62.7	152.4	22.2	M12	40.5	25.4	127.0	93.7	43.7
214	2-7/16	13.9	2-25/64	7-5/8	2-53/64	6-1/2	1-1/8	1/2	1-45/64	1-1/16	5-1/2	4	1-25/32
	2-1/2	13.8											
	65mm	6.7	60.7	193.7	71.8	165.1	28.6	M12	43.3	27.0	139.7	101.6	45.2
216	2-15/16	15.9	2-11/16	8-3/4	3-5/16	7-1/2	1-1/4	5/8	2-9/64	1-3/16	6-3/8	4-11/16	2-1/16
	3	15.8											
	75mm	12.9	68.3	222.3	84.1	190.5	31.8	M16	54.4	30.2	161.9	119.1	52.4
218	3-7/16	36.8	2-51/64	10-1/4	3-17/32	8-5/8	1-1/8	3/4	2-13/32	1-5/8	7-3/8	5-3/16	2-7/16
	85mm	17.8	71.0	260.4	89.7	219.1	28.6	M18	61.1	41.3	187.3	131.8	61.9

#C & G dimensions will vary slightly depending on true shaft diameter.

\* +0.000" -0.002"

\* +0.00 -0.05mm

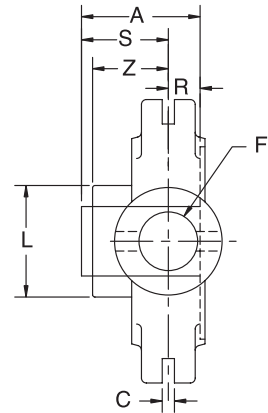
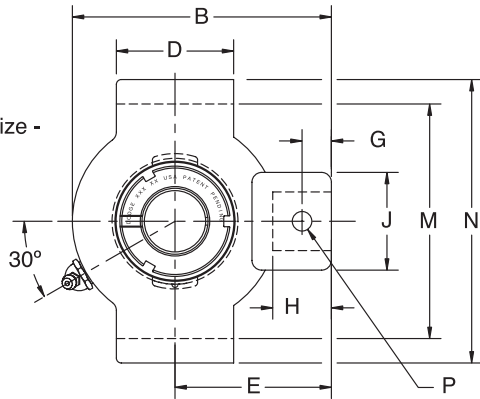
FEATURES/BENEFITS PAGE B2-2	HOW TO ORDER/NOMENCLATURE PAGE B2-4	SELECTION PAGE B2-5	RELATED PRODUCTS PAGE B2-96
--------------------------------	--	------------------------	--------------------------------

# SELECTION/DIMENSIONS



## GRIP TIGHT Adapter Ball Bearings GT NORMAL DUTY NARROW SLOT TAKE-UP BEARINGS

Lube Fitting Thread Size -  
1/8 - 27 NPT



Series	Shaft Size	Complete Unit		Unit without Adapter Sleeve & Lock Nut		Adapter Sleeve & Lock Nut Assembly	
		Part No.	Description	Part No.	Description	Part No.	Description
204	3/4 20mm	<b>136110</b>	NSTU-GT-012	<b>136210</b>	NSTU-GT-04	<b>129904</b>	AN-GT-04-012
		<b>136238</b>	NSTU-GT-20M			<b>129943</b>	AN-GT-04-20M
205	7/8 15/16 1 25mm	<b>136111</b>	NSTU-GT-014	<b>136211</b>	NSTU-GT-05	<b>129905</b>	AN-GT-05-014
		<b>136112</b>	NSTU-GT-015			<b>129906</b>	AN-GT-05-015
		<b>136113</b>	NSTU-GT-100			<b>129907</b>	AN-GT-05-100
		<b>136239</b>	NSTU-GT-25M			<b>129944</b>	AN-GT-05-25M
206	1-1/8 1-3/16 1-1/4 30mm	<b>136114</b>	NSTU-GT-102	<b>136212</b>	NSTU-GT-06	<b>129908</b>	AN-GT-06-102
		<b>136115</b>	NSTU-GT-103			<b>129909</b>	AN-GT-06-103
		<b>136116</b>	NSTU-GT-104S			<b>129910</b>	AN-GT-06-104S
		<b>136240</b>	NSTU-GT-30M			<b>129945</b>	AN-GT-06-30M
207	1-1/4 1-3/8 1-7/16 35mm	<b>136117</b>	NSTU-GT-104	<b>136213</b>	NSTU-GT-07	<b>129911</b>	AN-GT-07-104
		<b>136118</b>	NSTU-GT-106			<b>129912</b>	AN-GT-07-106
		<b>136119</b>	NSTU-GT-107			<b>129913</b>	AN-GT-07-107
		<b>136241</b>	NSTU-GT-35M			<b>129946</b>	AN-GT-07-35M
208	1-1/2 1-5/8 40mm	<b>136120</b>	NSTU-GT-108	<b>136214</b>	NSTU-GT-08	<b>129914</b>	AN-GT-08-108
		<b>126121</b>	NSTU-GT-110			<b>129955</b>	AN-GT-08-110
		<b>136242</b>	NSTU-GT-40M			<b>129947</b>	AN-GT-08-40M

@ Assembled to order

FEATURES/BENEFITS PAGE B2-2	HOW TO ORDER/NOMENCLATURE PAGE B2-4	SELECTION PAGE B2-5	RELATED PRODUCTS PAGE B2-96
--------------------------------	--	------------------------	--------------------------------

# SELECTION/DIMENSIONS



## GRIP TIGHT Adapter Ball Bearings GT NORMAL DUTY NARROW SLOT TAKE-UP BEARINGS

Series	Shaft Size	Weight lbs kg	Take-Up Frame Size	A	B	C*	D	E	F Screw Dia.	G	H	J	L	M@	N	P Pin Dia.	R#	S#	Z
204	3/4	1.6		1-15/32	3-1/2	1/4	1-1/2	2-3/16	3/4	7/16	7/8	1-3/8	1-1/2	2-5/8	3-1/8	5/16	31/64	63/64	1-3/64
	20mm	0.8		37.3	88.9	6.4	38.1	55.6	19.1	11.1	22.2	34.9	38.1	66.7	79.4	7.9	12.3	25.0	26.6
205	7/8	1.7	NS210	1-29/64	3-9/16	1/4	1-1/2	2-3/16	3/4	7/16	7/8	1-3/8	1-51/64	2-5/8	3-1/8	5/16	1/2	61/64	1-1/64
	15/16 1	1.6 1.5		36.9	90.5	6.4	38.1	55.6	19.1	11.1	22.2	34.9	45.6	66.7	79.4	7.9	12.8	24.2	25.8
206	1-1/8	2.8	NS308	1-39/64	4-5/16	1/4	2-1/2	2-11/16	3/4	1/2	15/16	1-3/8	2-5/64	3-1/2	4-1/8	5/16	17/32	1-5/64	1-1/8
	1-3/16 1-1/4	2.7 2.6		40.9	109.5	6.4	63.5	68.3	19.1	12.7	23.8	34.9	52.8	88.9	104.8	7.9	13.5	27.4	28.6
207	1-1/4	2.8	NS308	1-5/8	4-1/2	1/4	2-1/2	2-11/16	3/4	1/2	15/16	1-3/8	2-3/8	3-1/2	4-1/8	5/16	9/16	1-1/16	1-9/64
	1-3/8 1-7/16	2.6 2.5		41.3	114.3	6.4	63.5	68.3	19.1	12.7	23.8	34.9	60.3	88.9	104.8	7.9	14.3	27.0	29.0
208	1-1/2	4.7	NS400	1-27/32	5-3/8	5/16	3	3-1/4	7/8	21/32	1-5/32	2-5/8	2-5/8	4	4-3/4	3/8	21/32	1-3/16	1-15/64
	1-5/8 40mm	4.5 2.1		46.8	136.5	7.9	76.2	82.6	22.2	16.7	29.4	66.7	66.7	101.6	120.7	9.5	16.7	30.2	31.4

#R & S dimensions will vary slightly depending on true shaft diameter.

\* +/- .015", +/- .38mm

@ +.010, -.020" +.25mm, -.50mm

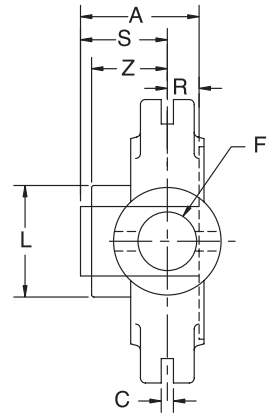
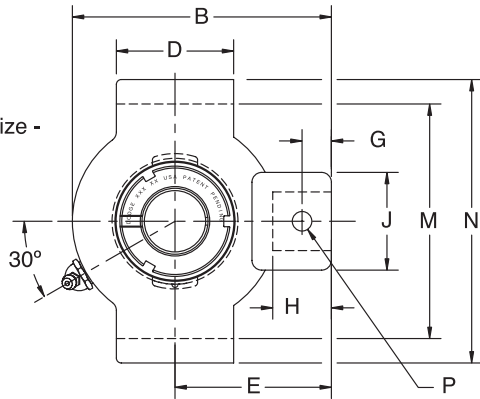
FEATURES/BENEFITS PAGE B2-2	HOW TO ORDER/NOMENCLATURE PAGE B2-4	SELECTION PAGE B2-5	RELATED PRODUCTS PAGE B2-96
--------------------------------	--	------------------------	--------------------------------

# SELECTION/DIMENSIONS



## GRIP TIGHT Adapter Ball Bearings GT NORMAL DUTY NARROW SLOT TAKE-UP BEARINGS

Lube Fitting Thread Size -  
1/8 - 27 NPT



Series	Shaft Size	Complete Unit		Unit without Adapter Sleeve & Lock Nut		Adapter Sleeve & Lock Nut Assembly	
		Part No.	Description	Part No.	Description	Part No.	Description
209	1-5/8	<b>136122</b>	NSTU-GT-110L	<b>136215</b>	NSTU-GT-09	<b>129915</b>	AN-GT-09-110L
	1-11/16	<b>136123</b>	NSTU-GT-111			<b>129916</b>	AN-GT-09-111
	1-3/4	<b>136124</b>	NSTU-GT-112			<b>129917</b>	AN-GT-09-112
	45mm	<b>136243</b>	NSTU-GT-45M			<b>129948</b>	AN-GT-09-45M
210	1-15/16	<b>136125</b>	NSTU-GT-115	<b>136216</b>	NSTU-GT-10	<b>129918</b>	AN-GT-10-115
	2	<b>136126</b>	NSTU-GT-200			<b>129919</b>	AN-GT-10-200
	50mm	<b>136244</b>	NSTU-GT-50M			<b>129949</b>	AN-GT-10-50M
211	2	<b>136167</b>	NSTU-GTM-200	<b>136217</b>	NSTU-GT-11	<b>129932</b>	AN-GTM-11-200
	2-3/16	<b>136127</b>	NSTU-GT-203			<b>129920</b>	AN-GT-11-203
	2-1/4	<b>136128</b>	NSTU-GT-204			<b>129956</b>	AN-GT-11-204
	55mm	<b>136245</b>	NSTU-GT-55M			<b>129950</b>	AN-GT-11-55M
212	2-1/4	<b>136169</b>	NSTU-GTM-204	<b>136218</b>	NSTU-GT-12	<b>129934</b>	AN-GTM-12-204
	2-7/16	<b>136129</b>	NSTU-GT-207			<b>129921</b>	AN-GT-12-207
	60mm	<b>136246</b>	NSTU-GT-60M			<b>129951</b>	AN-GT-12-60M

@ Assembled to order

FEATURES/BENEFITS PAGE B2-2	HOW TO ORDER/NOMENCLATURE PAGE B2-4	SELECTION PAGE B2-5	RELATED PRODUCTS PAGE B2-96
--------------------------------	--	------------------------	--------------------------------

# SELECTION/DIMENSIONS



## GRIP TIGHT Adapter Ball Bearings GT NORMAL DUTY NARROW SLOT TAKE-UP BEARINGS

Series	Shaft Size	Weight lbs kg	Take-Up Frame Size	A	B	C*	D	E	F Screw Dia.	G	H	J	L	M@	N	P Pin Dia.	R#	S#	Z
209	1-5/8	4.9	NS400	1-55/64	5-7/16	5/16	3	3-1/4	7/8	23/32	1-7/32	1-5/8	2-55/64	4	4-3/4	3/8	21/32	1-3/16	1-9/32
	1-11/16	4.8		47.2	138.1	7.9	76.2	82.6	22.2	18.3	31.0	41.3	72.6	101.6	120.7	9.5	16.7	30.2	32.5
	1-3/4 45mm	4.7 2.1																	
210	1-15/16	4.9	NS400	1-55/64	5-1/2	5/16	3	3-1/4	7/8	19/32	1-3/32	1-5/8	3-1/8	4	4-3/4	3/8	21/32	1-13/64	1-9/32
	2	4.8		47.2	139.7	7.9	76.2	82.6	22.2	15.1	27.8	41.3	79.4	101.6	120.7	9.5	16.7	30.6	32.5
	50mm	2.2																	
211	2	6.8	NS407	1-59/64	6-1/8	5/16	3-1/2	3-5/8	1	11/16	1-9/32	1-3/4	3-27/64	4-7/16	5-3/8	7/16	45/64	1-7/32	1-11/32
	2-3/16	6.6		48.8	155.6	7.9	88.9	92.1	25.4	17.5	32.5	44.5	86.9	112.7	136.5	11.1	17.9	31.0	34.1
	2-1/4 55mm	6.5 3.0																	
212	2-1/4	8.7	NS415	2-7/64	6-11/16	5/16	3-3/4	3-7/8	1	11/16	1-9/32	1-5/8	3-11/16	4-15/16	5-3/4	7/16	49/64	1-11/32	1-15/32
	2-7/16	8.4		53.6	169.9	7.9	95.3	98.4	25.4	17.5	32.5	41.3	93.7	125.4	146.1	11.1	19.4	34.1	37.3
	60mm	4.9																	

#R & S dimensions will vary slightly depending on true shaft diameter.

\* +/- .015", +/- .38mm

@ +.010, -.020" +.25mm, -.50mm

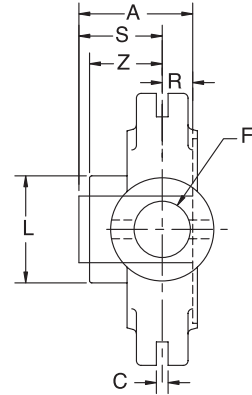
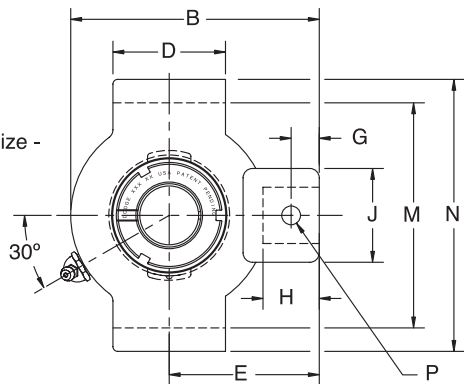
FEATURES/BENEFITS PAGE B2-2	HOW TO ORDER/NOMENCLATURE PAGE B2-4	SELECTION PAGE B2-5	RELATED PRODUCTS PAGE B2-96
--------------------------------	--	------------------------	--------------------------------

# SELECTION/DIMENSIONS



## GRIP TIGHT Adapter Ball Bearings GTM MEDIUM DUTY NARROW SLOT TAKE-UP BEARINGS

Lube Fitting Thread Size -  
1/8 - 27 NPT



Series	Shaft Size	Complete Unit		Unit without Adapter Sleeve & Lock Nut		Adapter Sleeve & Lock Nut Assembly	
		Part No.	Description	Part No.	Description	Part No.	Description
205	3/4	<b>136159</b>	NSTU-GTM-012	<b>136211</b>	NSTU-GT-05	<b>129924</b>	AN-GTM-05-012
206	1 25mm	<b>136160</b>	NSTU-GTM-100	<b>136212</b>	NSTU-GTU-06	<b>129925</b>	AN-GTM-06-100
		<b>136296</b>	NSTU-GTM-25M			<b>129957</b>	AN-GTM-06-25M
207	1-3/16 1-1/4 30mm	<b>136161</b>	NSTU-GTM-103	<b>136213</b>	NSTU-GT-07	<b>129926</b>	AN-GTM-07-103
		<b>136117</b>	NSTU-GT-104			<b>129911</b>	AN-GT-07-104
		<b>136297</b>	NSTU-GTM-30M			<b>129954</b>	AN-GTM-07-30M
208	1-7/16 35mm	<b>136162</b>	NSTU-GTM-107	<b>136214</b>	NSTU-GT-08	<b>129927</b>	AN-GTM-08-107
		<b>136298</b>	NSTU-GTM-35M			<b>129958</b>	AN-GTM-08-35M
209	1-1/2 40mm	<b>136163</b>	NSTU-GTM-108	<b>136215</b>	NSTU-GT-09	<b>129928</b>	AN-GTM-09-108
		<b>136299</b>	NSTU-GTM-40M			<b>129959</b>	AN-GTM-09-40M
210	1-11/16 1-3/4 45mm	<b>136164</b>	NSTU-GTM-111	<b>136216</b>	NSTU-GT-10	<b>129929</b>	AN-GTM-10-111
		<b>136165</b>	NSTU-GTM-112			<b>129930</b>	AN-GTM-10-112
		<b>136300</b>	NSTU-GTM-45M			<b>129960</b>	AN-GTM-10-45M
211	1-15/16 2 50mm	<b>136166</b>	NSTU-GTM-115	<b>136217</b>	NSTU-GT-11	<b>129931</b>	AN-GTM-11-115
		<b>136167</b>	NSTU-GTM-200			<b>129932</b>	AN-GTM-11-200
		<b>136301</b>	NSTU-GTM-50M			<b>129961</b>	AN-GTM-11-50M
212	2-3/16 2-1/4 55mm	<b>136168</b>	NSTU-GTM-203	<b>136218</b>	NSTU-GT-12	<b>129933</b>	AN-GTM-12-203
		<b>136169</b>	NSTU-GTM-204			<b>129934</b>	AN-GTM-12-204
		<b>136302</b>	NSTU-GTM-55M			<b>129962</b>	AN-GTM-12-55M

@ Assembled to order

FEATURES/BENEFITS PAGE B2-2	HOW TO ORDER/NOMENCLATURE PAGE B2-4	SELECTION PAGE B2-5	RELATED PRODUCTS PAGE B2-96
--------------------------------	--	------------------------	--------------------------------



# SELECTION/DIMENSIONS



## GRIP TIGHT Adapter Ball Bearings GTM MEDIUM DUTY NARROW SLOT TAKE-UP BEARINGS

Series	Shaft Size	Weight lbs kg	Take-Up Frame Size	A	B	C*	D	E	F Screw Dia.	G	H	J	L	M@	N	P Pin Dia.	R#	S#	Z
205	3/4	1.7	NS210	1-15/32 37.3	3-1/2 88.9	1/4 6.4	1-1/2 38.1	2-3/16 55.6	3/4 19.1	7/16 11.1	7/8 22.2	1-3/8 34.9	1-1/2 38.1	2-5/8 66.7	3-1/8 79.4	5/16 7.9	31/64 12.3	63/64 25.0	63/64 25.0
206	1	2.8	NS308	1-39/64	4-5/16	1/4	2-1/2	2-11/16	3/4	1/2	15/16	1-3/8	2	3-1/2	4-1/8	5/16	17/32	1-5/64	1-1/32
	25mm	1.2		40.9	109.5	6.4	63.5	68.3	19.1	12.7	23.8	34.9	50.8	88.9	104.8	7.9	13.5	27.4	26.2
207	1-3/16	2.8	NS308	1-5/8	4-1/2	1/4	2-1/2	2-11/16	3/4	1/2	15/16	1-3/8	2-19/64	3-1/2	4-1/8	5/16	9/16	1-1/16	1-3/64
	1-1/4	1.2		41.3	114.3	6.4	63.5	68.3	19.1	12.7	23.8	34.9	58.3	88.9	104.8	7.9	14.3	27.0	26.6
208	1-7/16	4.7	NS400	1-27/32	5-3/8	5/16	3	3-1/4	7/8	21/32	1-5/32	1-5/8	2-1/2	4	4-3/4	3/8	21/32	1-3/16	1-9/64
	35mm	2.1		46.8	136.5	7.9	76.2	82.6	22.2	16.7	29.4	41.3	63.5	101.6	120.7	9.5	16.7	30.2	29.0
209	1-1/2	4.9	NS400	1-27/32	5-7/16	5/16	3	3-1/4	7/8	23/32	1-7/32	1-5/8	2-43/64	4	4-3/4	3/8	21/32	1-3/16	1-5/32
	40mm	2.1		46.8	138.1	7.9	76.2	82.6	22.2	18.3	31.0	41.3	67.9	101.6	120.7	9.5	16.7	30.2	29.4
210	1-11/16	4.9	NS400	1-55/64	5-1/2	5/16	3	3-1/4	7/8	19/32	1-3/32	1-5/8	2-15/16	4	4-3/4	3/8	21/32	1-13/64	1-5/32
	1-3/4	2.2		47.2	139.7	7.9	76.2	82.6	22.2	15.1	27.8	41.3	74.6	101.6	120.7	9.5	16.7	30.6	29.4
211	1-15/16	6.8	NS407	1-59/64	6-1/8	5/16	3-1/2	3-5/8	1	11/16	1-9/32	1-3/4	3-1/4	4-7/16	5-3/8	7/16	45/64	1-7/32	1-3/16
	2	3.0		48.8	155.6	7.9	88.9	92.1	25.4	17.5	32.5	44.5	82.6	112.7	136.5	11.1	17.9	31.0	30.2
212	2-3/16	8.7	NS415	2-7/64	6-11/16	5/16	3-3/4	3-7/8	1	11/16	1-9/32	1-5/8	3-1/2	4-15/16	5-3/4	7/16	49/64	1-11/32	1-5/16
	2-1/4	4.9		53.6	169.9	7.9	95.3	98.4	25.4	17.5	32.5	41.3	88.9	125.4	146.1	11.1	19.4	34.1	33.3

#R & S dimensions will vary slightly depending on true shaft diameter.

\* +/- .015", +/- .38mm

@ +.010, -.020" +.25mm, -.50mm

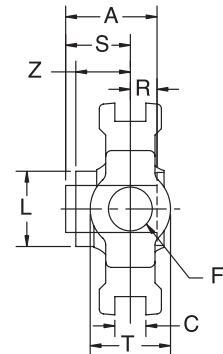
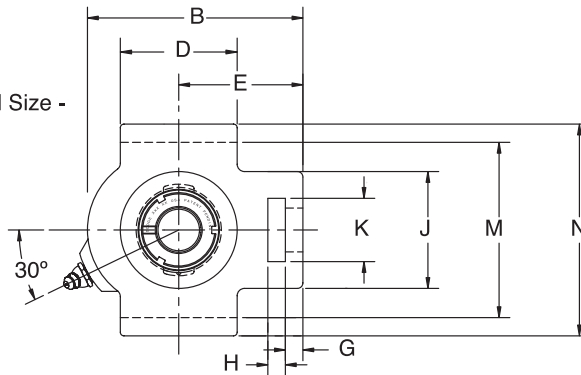
FEATURES/BENEFITS PAGE B2-2	HOW TO ORDER/NOMENCLATURE PAGE B2-4	SELECTION PAGE B2-5	RELATED PRODUCTS PAGE B2-96
--------------------------------	--	------------------------	--------------------------------

# SELECTION/DIMENSIONS



## GRIP TIGHT Adapter Ball Bearings GT NORMAL DUTY WIDE SLOT TAKE-UP BEARINGS

Lube Fitting Thread Size -  
1/8 - 27 NPT



Series	Shaft Size	Complete Unit		Unit without Adapter Sleeve & Lock Nut		Adapter Sleeve & Lock Nut Assembly	
		Part No.	Description	Part No.	Description	Part No.	Description
204	3/4	<b>136130</b>	WSTU-GT-012	<b>136219</b>	WSTU-GT-04	<b>129904</b>	AN-GT-04-012
	20mm	<b>136247</b>	WSTU-GT-20M			<b>129943</b>	AN-GT-04-20M
205	7/8	<b>136131</b>	WSTU-GT-014	<b>136220</b>	WSTU-GT-05	<b>129905</b>	AN-GT-05-014
	15/16	<b>136132</b>	WSTU-GT-015			<b>129906</b>	AN-GT-05-015
	1	<b>136133</b>	WSTU-GT-100			<b>129907</b>	AN-GT-05-100
	25mm	<b>136248</b>	WSTU-GT-25M			<b>129944</b>	AN-GT-05-25M
206	1-1/8	<b>136134</b>	WSTU-GT-102	<b>136221</b>	WSTU-GT-06	<b>129908</b>	AN-GT-06-102
	1-3/16	<b>136135</b>	WSTU-GT-103			<b>129909</b>	AN-GT-06-103
	1-1/4	<b>136136</b>	WSTU-GT-104S			<b>129910</b>	AN-GT-06-104S
	30mm	<b>136249</b>	WSTU-GT-30M			<b>129945</b>	AN-GT-06-30M
207	1-1/4	<b>136137</b>	WSTU-GT-104	<b>136222</b>	WSTU-GT-07	<b>129911</b>	AN-GT-07-104
	1-3/8	<b>136138</b>	WSTU-GT-106			<b>129912</b>	AN-GT-07-106
	1-7/16	<b>136139</b>	WSTU-GT-107			<b>129913</b>	AN-GT-07-107
	35mm	<b>136250</b>	WSTU-GT-35M			<b>129946</b>	AN-GT-07-35M
208	1-1/2	<b>136140</b>	WSTU-GT-108	<b>136223</b>	WSTU-GT-08	<b>129914</b>	AN-GT-08-108
	1-5/8	<b>136141</b>	WSTU-GT-110			<b>129955</b>	AN-GT-08-110
	40mm	<b>136251</b>	WSTU-GT-40M			<b>129947</b>	AN-GT-08-40M

@ Assembled to order

FEATURES/BENEFITS PAGE B2-2	HOW TO ORDER/NOMENCLATURE PAGE B2-4	SELECTION PAGE B2-5	RELATED PRODUCTS PAGE B2-96
--------------------------------	--	------------------------	--------------------------------

# SELECTION/DIMENSIONS



## GRIP TIGHT Adapter Ball Bearings GT NORMAL DUTY WIDE SLOT TAKE-UP BEARINGS

Series	Shaft Size	Weight lbs kg	Take-Up Frame Size	A	B	C*	D	E	F Screw Dia.	G	H	J	K	L	M*	N	R#	S#	T	Z
204	3/4	1.9		1-15/32	3-11/16	17/32	2	2-3/8	5/8	3/8	5/8	2	1-1/4	1-1/2	3	3-5/8	31/64	63/64	1-3/8	1-3/64
	20mm	0.9		37.3	93.7	13.5	50.8	60.3	15.9	9.5	15.9	50.8	31.8	38.1	76.2	92.1	12.3	25.0	34.9	26.7
205	7/8	2.2	WS300	1-29/64	3-13/16	17/32	2	2-7/16	5/8	3/8	5/8	2	1-5/16	1-51/64	3	3-5/8	1/2	61/64	1-3/8	1-1/64
	15/16	2.1		36.9	96.8	13.5	50.8	61.9	15.9	9.5	15.9	50.8	33.3	45.6	76.2	92.1	12.8	24.2	34.9	25.9
	1	2.0																		
206	25mm	1.0																		
	1-1/8	2.7	WS308	1-39/64	4-3/8	17/32	2-1/4	2-3/4	3/4	3/8	5/8	2-3/16	1-7/16	2-5/64	3-1/2	4-1/8	17/32	1-5/64	1-5/8	1-1/8
	1-3/16	2.6		40.9	111.1	13.5	57.2	69.9	19.1	9.5	15.9	55.6	36.5	52.8	88.9	104.8	13.5	27.4	41.3	28.7
1-1/4	2.5																			
207	30mm	1.3																		
	1-1/4	3.7	WS308	1-5/8	4-7/8	17/32	2-1/2	3-1/16	3/4	1/2	5/8	2-1/2	1-7/16	2-3/8	3-1/2	4-1/8	9/16	1-1/16	1-5/8	1-9/64
	1-3/8	3.6		41.3	123.8	13.5	63.5	77.8	19.1	12.7	15.9	63.5	36.5	60.3	88.9	104.8	14.3	27.0	41.3	29.1
1-7/16	3.5																			
208	35mm	1.6																		
	1-1/2	6.1	WS400	1-27/32	5-11/16	11/16	3-1/4	3-1/2	1	5/8	3/4	3-1/4	1-15/16	2-5/8	4	4-1/2	21/32	1-3/16	1-15/16	1-15/64
	1-5/8	5.9		46.8	144.5	17.5	82.6	88.9	25.4	15.9	19.1	82.6	49.2	66.7	101.6	114.3	16.7	30.2	49.2	31.5
40mm	2.8																			

#R & S dimensions will vary slightly depending on true shaft diameter.

\*+/- .015", +/- .38mm

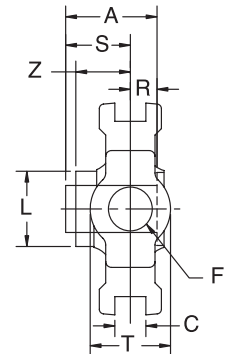
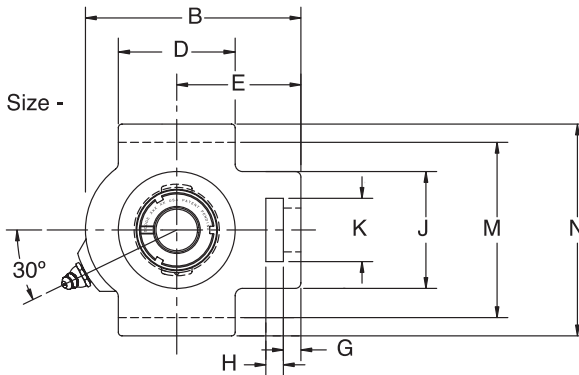
FEATURES/BENEFITS PAGE B2-2	HOW TO ORDER/NOMENCLATURE PAGE B2-4	SELECTION PAGE B2-5	RELATED PRODUCTS PAGE B2-96
--------------------------------	--	------------------------	--------------------------------

# SELECTION/DIMENSIONS



## GRIP TIGHT Adapter Ball Bearings GT NORMAL DUTY WIDE SLOT TAKE-UP BEARINGS

Lube Fitting Thread Size -  
1/8 - 27 NPT



Series	Shaft Size	Complete Unit		Unit without Adapter Sleeve & Lock Nut		Adapter Sleeve & Lock Nut Assembly	
		Part No.	Description	Part No.	Description	Part No.	Description
209	1-5/8	<b>136142</b>	WSTU-GT-110L	<b>136224</b>	WSTU-GT-09	<b>129915</b>	AN-GT-09-110
	1-11/16	<b>136143</b>	WSTU-GT-111			<b>129916</b>	AN-GT-09-111
	1-3/4	<b>136144</b>	WSTU-GT-112			<b>129917</b>	AN-GT-09-112
	45mm	<b>136252</b>	WSTU-GT-45M			<b>129948</b>	AN-GT-09-45M
210	1-15/16	<b>136145</b>	WSTU-GT-115	<b>136225</b>	WSTU-GT-10	<b>129918</b>	AN-GT-10-115
	2	<b>136146</b>	WSTU-GT-200			<b>129919</b>	AN-GT-10-200
	50mm	<b>136253</b>	WSTU-GT-50M			<b>129949</b>	AN-GT-10-50M
211	2	<b>136178</b>	WSTU-GTM-200	<b>136226</b>	WSTU-GT-11	<b>129932</b>	AN-GTM-11-200
	2-3/16	<b>136147</b>	WSTU-GT-203			<b>129920</b>	AN-GT-11-203
	2-1/4	<b>136148</b>	WSTU-GT-204			<b>129956</b>	AN-GT-11-204
	55mm	<b>136254</b>	WSTU-GT-55M			<b>129950</b>	AN-GT-11-55M
212	2-1/4	<b>136180</b>	WSTU-GTM-204	<b>136227</b>	WSTU-GT-12	<b>129934</b>	AN-GTM-12-204
	2-7/16	<b>136149</b>	WSTU-GT-207			<b>129921</b>	AN-GT-12-207
	60mm	<b>136255</b>	WSTU-GT-60M			<b>129951</b>	AN-GT-12-60M
214	2-1/2	<b>136182</b>	WSTU-GTM-208	<b>136228</b>	WSTU-GT-14	<b>129936</b>	AN-GTM-14-208
	2-11/16	<b>136150</b>	WSTU-GT-211			<b>129922</b>	AN-GT-14-211
	70mm	<b>163256</b>	WSTU-GT-70M			<b>129952</b>	AN-GT-14-70M
215	2-15/16	<b>136151</b>	WSTU-GT-215	<b>136229</b>	WSTU-GT-15	<b>129923</b>	AN-GT-15-215
	3	@	WSTU-GT-300			<b>129887</b>	AN-GT-15-300
	75mm	<b>136257</b>	WSTU-GT-75M			<b>129953</b>	AN-GT-15-75M

@ Assembled to order

FEATURES/BENEFITS PAGE B2-2	HOW TO ORDER/NOMENCLATURE PAGE B2-4	SELECTION PAGE B2-5	RELATED PRODUCTS PAGE B2-96
--------------------------------	--	------------------------	--------------------------------

# SELECTION/DIMENSIONS



## GRIP TIGHT Adapter Ball Bearings GT NORMAL DUTY WIDE SLOT TAKE-UP BEARINGS

Series	Shaft Size	Wgt. lbs kg	Take-Up Frame Size	A	B	C*	D	E	F Screw Dia.	G	H	J	K	L	M*	N	R#	S#	T	Z	
209	1-5/8	6.1	WS400	1-55/64	5-5/8	11/16	3-1/4	3-7/16	1	5/8	3/4	3-1/4	1-15/16	2-55/64	4	4-3/4	21/32	1-3/16	1-15/16	1-9/32	
	1-11/16	6.0		47.2	142.9	17.5	82.6	87.3	25.4	15.9	19.1	82.6	49.2	72.6	101.6	120.7	16.7	30.2	49.2	32.6	
	1-3/4	5.9																			
	45mm	2.7																			
210	1-15/16	6.4	WS400	1-55/64	5-13/16	11/16	3-3/8	3-9/16	1	5/8	3/4	3-1/4	1-15/16	3-1/8	4	4-3/4	21/32	1-13/64	1-15/16	1-9/32	
	2	6.3		47.2	147.6	17.5	85.7	90.5	25.4	15.9	19.1	82.6	49.2	79.4	101.6	120.7	16.7	30.6	49.2	32.6	
	50mm	2.9																			
211	2	10.1	WS502	1-59/64	6-11/16	1-1/16	3-3/4	4-3/16	1-1/4	3/4	1	4	2-1/2	3-27/64	5-1/8	5-7/8	45/64	1-7/32	2-1/2	1-11/32	
	2-3/16	10.0		48.8	169.9	27.0	95.3	106.4	31.8	19.1	25.4	101.6	63.5	86.9	130.2	149.2	17.9	31.0	63.5	34.0	
	2-1/4	9.9																			
212	2-1/4	11.2	WS502	2-7/64	7-1/2	1-1/16	4	4-11/16	1-1/4	3/4	1-1/4	4	2-1/2	3-11/16	5-1/8	5-7/8	49/64	1-11/32	2-1/2	1-15/32	
	2-7/16	10.8		53.6	190.5	27.0	101.6	119.1	31.8	19.1	31.8	101.6	63.5	93.7	130.2	149.2	19.4	34.1	63.5	37.1	
	60mm	4.9																			
214	2-1/2	18.0	WS515	2-25/64	8-9/16	1-1/16	4-3/4	5-3/8	1-1/2	13/16	1-1/4	4-3/8	2-3/4	4	5-15/16	6-9/16	7/8	1-33/64	2-3/4	1-19/32	
	2-11/16	17.8		60.7	217.5	27.0	120.7	136.5	38.1	20.6	31.8	111.1	69.9	101.6	150.8	166.7	22.2	38.5	69.9	40.5	
215	2-15/16	18.9	WS515	2-29/64	9-1/8	1-1/16	4-3/4	5-1/2	1-1/2	13/16	1-1/4	4-3/8	2-3/4	4-7/16	5-15/16	6-11/16	57/64	1-43/64	2-3/4	1-5/8	
	3	18.7		62.3	231.8	27.0	120.7	139.7	38.1	20.6	31.8	111.1	69.9	112.7	150.8	169.9	22.6	42.5	69.9	41.3	
	75mm	8.6																			

#R & S dimensions will vary slightly depending on true shaft diameter.

\*+/- .015", +/- .38mm

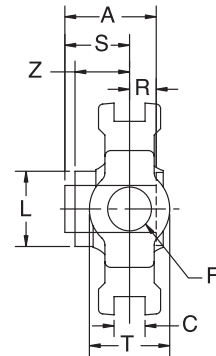
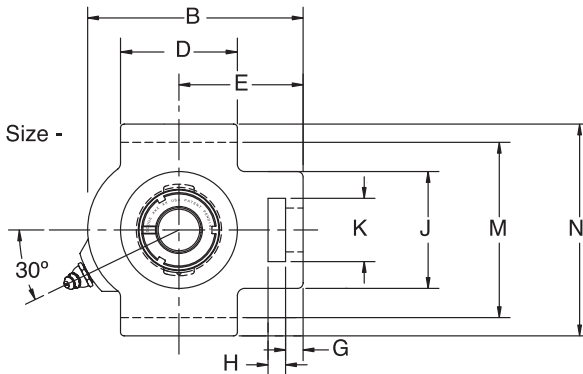
FEATURES/BENEFITS PAGE B2-2	HOW TO ORDER/NOMENCLATURE PAGE B2-4	SELECTION PAGE B2-5	RELATED PRODUCTS PAGE B2-96
--------------------------------	--	------------------------	--------------------------------

# SELECTION/DIMENSIONS



## GRIP TIGHT Adapter Ball Bearings GTM MEDIUM DUTY WIDE SLOT TAKE-UP BEARINGS

Lube Fitting Thread Size -  
1/8 - 27 NPT



Series	Shaft Size	Complete Unit		Unit without Adapter Sleeve & Lock Nut		Adapter Sleeve & Lock Nut Assembly	
		Part No.	Description	Part No.	Description	Part No.	Description
205	3/4	<b>136170</b>	WSTU-GTM-012	<b>136220</b>	WSTU-GT-05	<b>129924</b>	AN-GTM-05-012
206	1 25mm	<b>136171</b>	WSTU-GTM-100	<b>136221</b>	WSTU-GTU-06	<b>129925</b>	AN-GTM-06-100
		<b>136303</b>	WSTU-GTM-25M			<b>129957</b>	AN-GTM-06-25M
207	1-3/16	<b>136172</b>	WSTU-GTM-103	<b>136222</b>	WSTU-GT-07	<b>129926</b>	AN-GTM-07-103
	1-1/4	<b>136137</b>	WSTU-GT-104			<b>129911</b>	AN-GT-07-104
	30mm	<b>136304</b>	WSTU-GTM-30M			<b>129954</b>	AN-GTM-07-30M
208	1-7/16	<b>136173</b>	WSTU-GTM-107	<b>136223</b>	WSTU-GT-08	<b>129927</b>	AN-GTM-08-107
	35mm	<b>136305</b>	WSTU-GTM-35M			<b>129958</b>	AN-GTM-08-35M
209	1-1/2	<b>136174</b>	WSTU-GTM-108	<b>136224</b>	WSTU-GT-09	<b>129928</b>	AN-GTM-09-108
	40mm	<b>136306</b>	WSTU-GTM-40M			<b>129959</b>	AN-GTM-09-40M
210	1-11/16	<b>136175</b>	WSTU-GTM-111	<b>136225</b>	WSTU-GT-10	<b>129929</b>	AN-GTM-10-111
	1-3/4	<b>136176</b>	WSTU-GTM-112			<b>129930</b>	AN-GTM-10-112
	45mm	<b>136307</b>	WSTU-GTM-45M			<b>129960</b>	AN-GTM-10-45M

@ Assembled to order

FEATURES/BENEFITS PAGE B2-2	HOW TO ORDER/NOMENCLATURE PAGE B2-4	SELECTION PAGE B2-5	RELATED PRODUCTS PAGE B2-96
--------------------------------	--	------------------------	--------------------------------

# SELECTION/DIMENSIONS



## GRIP TIGHT Adapter Ball Bearings GTM MEDIUM DUTY WIDE SLOT TAKE-UP BEARINGS

Bearing Quick Reference

E-Z KLEEN

GRIP TIGHT Adapter Ball Bearing

Set Screw Ball Bearing

Eccentric Collar Ball Bearing

Series	Shaft Size	Weight		Take-Up Frame Size	A	B	C*	D	E	F		G	H	J	K	L	M*	N	R#	S#	T	Z
		lbs	kg							Screw Dia.												
205	3/4	2.7	WS300	1-29/64	3-13/16	17/32	2	2-7/16	5/8	3/8	5/8	2	1-5/16	1-51/64	3	3-5/8	1/2	61/64	1-3/8	61/64	1-3/8	61/64
				36.9	96.8	13.5	50.8	61.9	15.9	9.5	15.9	50.8	33.3	45.6	76.2	92.1	12.8	24.2	34.9	24.2		
206	1 25mm	4.1 1.3	WS308	1-39/64	4-3/8	17/32	2-1/4	2-3/4	3/4	3/8	5/8	2-3/16	1-7/16	2-5/64	3-1/2	4-1/8	17/32	1-5/64	1-5/8	1-1/8	1-5/8	1-1/8
				40.9	111.1	13.5	57.2	69.9	19.1	9.5	15.9	55.6	36.5	52.8	88.9	104.8	13.5	27.4	41.3	28.7		
207	1-3/16 1-1/4 30mm	5.1 3.7	WS308	1-5/8	4-7/8	17/32	2-1/2	3-1/16	3/4	1/2	5/8	2-1/2	1-7/16	2-3/8	3-1/2	4-1/8	9/16	1-1/16	1-5/8	1-9/64	1-5/8	1-9/64
				41.3	123.8	13.5	63.5	77.8	19.1	12.7	15.9	63.5	36.5	60.3	88.9	104.8	14.3	27.0	41.3	29.1		
208	1-7/16 35mm	7.3 3.5	WS400	1-27/32	5-11/16	11/16	3-1/4	3-1/2	1	5/8	3/4	3-1/4	1-15/16	2-5/8	4	4-1/2	21/32	1-3/16	1-15/16	1-15/64	1-15/64	
				46.8	144.5	17.5	82.6	88.9	25.4	15.9	19.1	82.6	49.2	66.7	101.6	114.3	16.7	30.2	49.2	31.5		
209	1-1/2 40mm	7.2 6.1	WS400	1-55/64	5-5/8	11/16	3-1/4	3-7/16	1	5/8	3/4	3-1/4	1-15/16	2-55/64	4	4-3/4	21/32	1-3/16	1-15/16	1-9/32	1-15/16	1-9/32
				47.2	142.9	17.5	82.6	87.3	25.4	15.9	19.1	82.6	49.2	72.6	101.6	120.7	16.7	30.2	49.2	32.6		
210	1-11/16 1-3/4 45mm	7.7 7.6	WS400	1-55/64	5-13/16	11/16	3-3/8	3-9/16	1	5/8	3/4	3-1/4	1-15/16	3-1/8	4	4-3/4	21/32	1-13/64	1-15/16	1-9/32	1-15/16	1-9/32
				47.2	147.6	17.5	85.7	90.5	25.4	15.9	19.1	82.6	49.2	79.4	101.6	120.7	16.7	30.6	49.2	32.6		

#R & S dimensions will vary slightly depending on true shaft diameter.

\*+/- .015", +/- .38mm

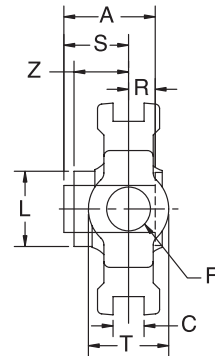
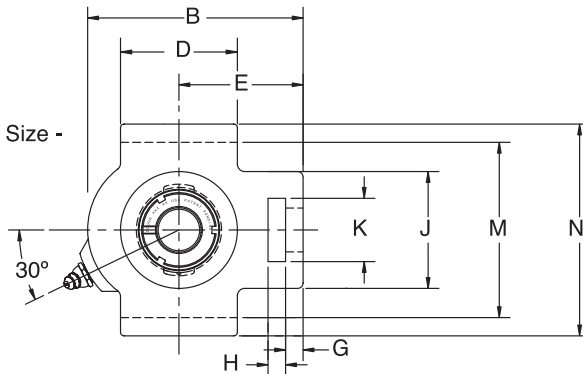
FEATURES/BENEFITS PAGE B2-2	HOW TO ORDER/NOMENCLATURE PAGE B2-4	SELECTION PAGE B2-5	RELATED PRODUCTS PAGE B2-96
--------------------------------	--	------------------------	--------------------------------

# SELECTION/DIMENSIONS



## GRIP TIGHT Adapter Ball Bearings GTM MEDIUM DUTY WIDE SLOT TAKE-UP BEARINGS

Lube Fitting Thread Size -  
1/8 - 27 NPT



Series	Shaft Size	Complete Unit		Unit without Adapter Sleeve & Lock Nut		Adapter Sleeve & Lock Nut Assembly	
		Part No.	Description	Part No.	Description	Part No.	Description
211	1-15/16	<b>136177</b>	WSTU-GTM-115	<b>136226</b>	WSTU-GT-11	<b>129931</b>	AN-GTM-11-115
	2	<b>136178</b>	WSTU-GTM-200			<b>129932</b>	AN-GTM-11-200
	50mm	<b>136308</b>	WSTU-GTM-50M			<b>129961</b>	AN-GTM-11-50M
212	2-3/16	<b>136179</b>	WSTU-GTM-203	<b>136227</b>	WSTU-GT-12	<b>129933</b>	AN-GTM-12-203
	2-1/4	<b>136180</b>	WSTU-GTM-204			<b>129934</b>	AN-GTM-12-204
	55mm	<b>136309</b>	WSTU-GTM-55M			<b>129962</b>	AN-GTM-12-55M
214	2-7/16	<b>136181</b>	WSTU-GTM-207	<b>136228</b>	WSTU-GT-14	<b>129935</b>	AN-GTM-14-207
	2-1/2	<b>136182</b>	WSTU-GTM-208			<b>129936</b>	AN-GTM-14-208
	65mm	<b>136310</b>	WSTU-GTM-65M			<b>129963</b>	AN-GTM-14-65M
215	2-11/16	<b>136183</b>	WSTU-GTM-211	<b>136229</b>	WSTU-GT-15	<b>129937</b>	AN-GTM-15-211
	70mm	<b>136311</b>	WSTU-GTM-70M			<b>129964</b>	AN-GTM-15-70M
216	2-15/16	<b>136184</b>	WSTU-GTM-215	<b>136230</b>	WSTU-GT-16	<b>129938</b>	AN-GTM-16-215
	3	<b>136185</b>	WSTU-GTM-300			<b>129939</b>	AN-GTM-16-300
	75mm	<b>136312</b>	WSTU-GTM-75M			<b>129965</b>	AN-GTM-16-75M

@ Assembled to order

FEATURES/BENEFITS PAGE B2-2	HOW TO ORDER/NOMENCLATURE PAGE B2-4	SELECTION PAGE B2-5	RELATED PRODUCTS PAGE B2-96
--------------------------------	--	------------------------	--------------------------------



# SELECTION/DIMENSIONS



## GRIP TIGHT Adapter Ball Bearings GTM MEDIUM DUTY WIDE SLOT TAKE-UP BEARINGS

Bearing Quick Reference

E-Z KLEEN

GRIP TIGHT Adapter Ball Bearing

Set Screw Ball Bearing

Eccentric Collar Ball Bearing

Series	Shaft Size	Weight lbs kg	Take-Up Frame Size	A	B	C*	D	E	F Screw Dia.	G	H	J	K	L	M*	N	R#	S#	T	Z
211	1-15/16 2	11.2	WS502	1-59/64	6-11/16	1-1/16	3-3/4	4-3/16	1-1/4	3/4	1	4	2-1/2	3-27/64	5-1/8	5-7/8	45/64	1-7/32	2-1/2	1-11/32
	50mm	11.3		48.8	169.9	27.0	95.3	106.4	31.8	19.1	25.4	101.6	63.5	86.9	130.2	149.2	17.9	31.0	63.5	34.0
212	2-3/16 2-1/4	12.6	WS502	2-7/64	7-1/2	1-1/16	4	4-11/16	1-1/4	3/4	1-1/4	4	2-1/2	3-11/16	5-1/8	5-7/8	49/64	1-11/32	2-1/2	1-15/32
	55mm	12.4		53.6	190.5	27.0	101.6	119.1	31.8	19.1	31.8	101.6	63.5	93.7	130.2	149.2	19.4	34.1	63.5	37.1
214	2-7/16 2-1/2	19.4	WS515	2-25/64	8-9/16	1-1/16	4-3/4	5-3/8	1-1/2	13/16	1-1/4	4-3/8	2-3/4	4	5-15/16	6-9/16	7/8	1-33/64	2-3/4	1-19/32
	65mm	9.3		60.7	217.5	27.0	120.7	136.5	38.1	20.6	31.8	111.1	69.9	101.6	150.8	166.7	22.2	38.5	69.9	40.5
215	2-11/16 70mm	20.2	WS515	2-29/64	9-1/8	1-1/16	4-3/4	5-1/2	1-1/2	13/16	1-1/4	4-3/8	2-3/4	4-7/16	5-15/16	6-11/16	57/64	1-43/64	2-3/4	1-5/8
	75mm	8.3		62.3	231.8	27.0	120.7	139.7	38.1	20.6	31.8	111.1	69.9	112.7	150.8	169.9	22.6	42.5	69.9	41.3
216	2-15/16 3	22.9	WS608	2-11/16	9-1/8	1-1/16	4-3/4	5-1/2	1-1/2	13/16	1-1/4	4-3/8	2-3/4	4-11/16	6-1/2	7-1/4	29/32	1-55/64	2-3/4	1-5/8
	75mm	9.1		68.3	231.8	27.0	120.7	139.7	38.1	20.6	31.8	111.1	69.9	119.1	165.1	184.2	23.0	47.2	69.9	41.3

#R & S dimensions will vary slightly depending on true shaft diameter.

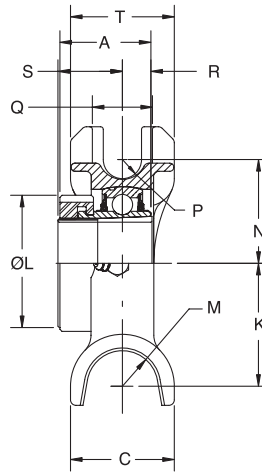
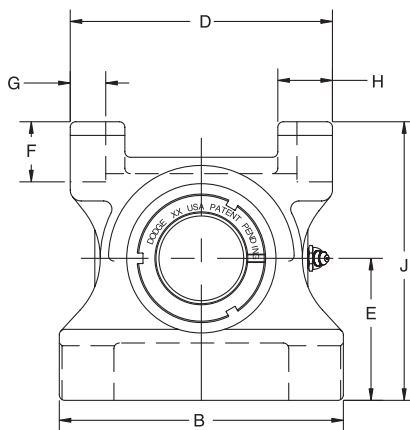
\*+/- .015", +/- .38mm

FEATURES/BENEFITS PAGE B2-2	HOW TO ORDER/NOMENCLATURE PAGE B2-4	SELECTION PAGE B2-5	RELATED PRODUCTS PAGE B2-96
--------------------------------	--	------------------------	--------------------------------

# SELECTION/DIMENSIONS



## GRIP TIGHT Adapter Ball Bearings GT NORMAL DUTY TOP ANGLE TAKE-UP BEARINGS



Series	Shaft Size	Complete Unit		Unit Without Adapter & Nut		Adapter & Nut Assembly	
		Part No.	Description	Part No.	Description	Part No.	Description
210	1-15/16	<b>136152</b>	TP-GT-115	<b>136231</b>	TP-GT-10	<b>129918</b>	AN-GT-10-115
	2	<b>136153</b>	TP-GT-200			<b>129919</b>	AN-GT-10-200
211	2	<b>136189</b>	TP-GTM-200	<b>136232</b>	TP-GT-11	<b>129932</b>	AN-GTM-11-200
	2-3/16	<b>136154</b>	TP-GT-203			<b>129920</b>	AN-GT-11-203
	2-1/4	<b>136155</b>	TP-GT-204			<b>129956</b>	AN-GT-11-204
212	2-1/4	<b>136191</b>	TP-GTM-204	<b>136233</b>	TP-GT-12	<b>129934</b>	AN-GTM-12-204
	2-7/16	<b>136156</b>	TP-GT-207			<b>129921</b>	AN-GT-12-207
214	2-1/2	<b>136193</b>	TP-GTM-208	<b>136234</b>	TP-GT-14	<b>129936</b>	AN-GTM-14-208
	2-11/16	<b>136157</b>	TP-GT-211			<b>129922</b>	AN-GT-14-211
215	2-15/16	<b>136158</b>	TP-GT-215	<b>136235</b>	TP-GT-15	<b>129923</b>	AN-GT-15-215

@ Assembled to order

FEATURES/BENEFITS PAGE B2-2	HOW TO ORDER/NOMENCLATURE PAGE B2-4	SELECTION PAGE B2-5	RELATED PRODUCTS PAGE B2-96
--------------------------------	--	------------------------	--------------------------------

# SELECTION/DIMENSIONS



## GRIP TIGHT Adapter Ball Bearings GT NORMAL DUTY TOP ANGLE TAKE-UP BEARINGS

Bearing Quick Reference

E-Z KLEEN

GRIP TIGHT Adapter Ball Bearing

Set Screw Ball Bearing

Eccentric Collar Ball Bearing

Series	Shaft Size	Weight lbs	Take-Up Frame Size	A	B	C	D	E	J	L	R#	S#	T	Z
210	1-15/16 2	11.4 11.2	TP10	1-55/64	6-1/2	2-3/8	6	3-1/4	6-3/8	3-1/8	21/32	1-13/64	2-3/8	1-9/32
211	2-3/16 2-1/4	13.7 13.2	TP20	1-59/64	7	2-1/2	6-3/4	3-3/8	6-7/8	3-27/64	45/64	1-7/32	2-3/8	1-11/32
212	2-1/4 2-7/16	17.2 17.1	TP30	2-7/64	7-1/2	2-3/4	7	3-1/2	7-7/16	3-11/16	49/64	1-11/32	2-3/4	1-15/32
214	2-1/2 2-11/16	22.5 22.3	TP40	2-25/64	8-1/2	2-1/2	8	4	8-5/16	4	7/8	1-33/64	2-3/4	1-19/32
215	2-15/16	22.4	TP40	2-29/64	8-1/2	2-1/2	8	4	8-5/16	4-7/16	57/64	1-43/64	2-3/4	1-5/8

Lube fitting thread size - 1/8-27 NPT

#R & S dimensions will vary slightly depending on true shaft diameter.

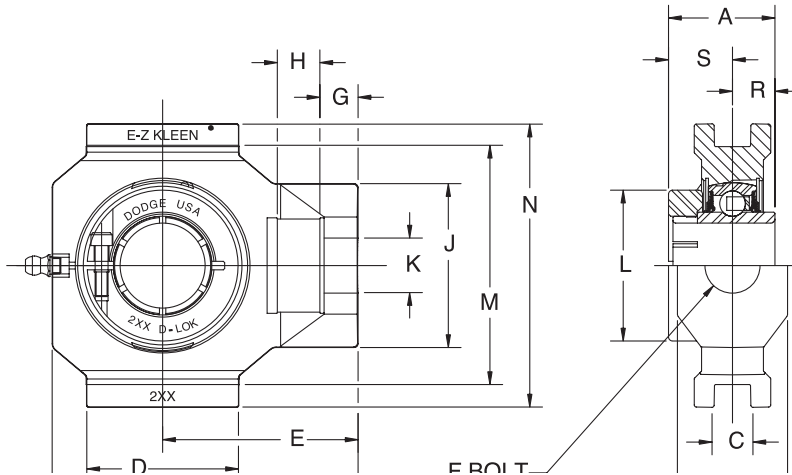
FEATURES/BENEFITS PAGE B2-2	HOW TO ORDER/NOMENCLATURE PAGE B2-4	SELECTION PAGE B2-5	RELATED PRODUCTS PAGE B2-96
--------------------------------	--	------------------------	--------------------------------

# SELECTION/DIMENSIONS

# DODGE®



## GRIP TIGHT Adapter Ball Bearings GTM MEDIUM DUTY TOP ANGLE TAKE-UP BEARINGS



Series	Shaft Size	Complete Unit		Unit Without Adapter & Nut		Adapter & Nut Assembly	
		Part No.	Description	Part No.	Description	Part No.	Description
210	1-11/16	<b>136186</b>	TP-GTM 111	<b>136231</b>	TP-GT-10	<b>129929</b>	AN-GTM-10-111
	1-3/4	<b>136187</b>	TP-GTM-112			<b>129930</b>	AN-GTM-10-112
211	1-15/16	<b>136188</b>	TP-GTM 115	<b>136232</b>	TP-GT-11	<b>129931</b>	AN-GTM-11-115
	2	<b>136189</b>	TP-GTM-200			<b>129932</b>	AN-GTM-11-200
212	2-3/16	<b>136190</b>	TP-GTM-203	<b>136233</b>	TP-GT-12	<b>129933</b>	AN-GTM-12-203
	2-1/4	<b>136191</b>	TP-GTM-204			<b>129934</b>	AN-GTM-12-204
214	2-7/16	<b>136192</b>	TP-GTM-207	<b>136234</b>	TP-GT-14	<b>129935</b>	AN-GTM-14-207
	2-1/2	<b>136193</b>	TP-GTM-208			<b>129936</b>	AN-GTM-14-208
215	2-11/16	<b>136194</b>	TP-GM-211	<b>136235</b>	TP-GT-15	<b>129937</b>	AN-GTM-15-211
216	2-5/16	<b>136195</b>	TP-GTM 215	<b>136236</b>	TP-GT-16	<b>129938</b>	AN-GTM-16-215
	3	<b>136196</b>	TP-GTM-300			<b>129939</b>	AN-GTM-16-300
218	3-7/16	<b>136197</b>	TP-GTM-307	<b>136237</b>	TP-GT-18	<b>129940</b>	AN-GTM-18-307
	3-1/2	<b>136198</b>	TP-GTM-308			<b>129941</b>	AN-GTM-18-308

FEATURES/BENEFITS  
PAGE B2-2

HOW TO ORDER/NOMENCLATURE  
PAGE B2-4

SELECTION  
PAGE B2-5

RELATED PRODUCTS  
PAGE B2-96

# SELECTION/DIMENSIONS



## GRIP TIGHT Adapter Ball Bearings GTM MEDIUM DUTY TOP ANGLE TAKE-UP BEARINGS

Series	Shaft Size	Weight lbs	Take-Up Frame Size	A	B	C	D	E	J	L	R#	S#	T	Z
210	1-11/16 1 -3/4	11.6 11.2	TP10	1-55/64	6-1/2	2-3/8	6	3-1/4	6-3/8	3-1/8	21/32	1-13/64	2-3/8	1-9/32
211	1-15/16 2	14.0 13.7	TP20	1-59/64	7	2-1/2	6-3/4	3-3/8	6-7/8	3-27/64	45/64	1-7/32	2-3/8	1-11/32
212	2 -3/16 2-1/4	17.4 17.2	TP30	2-7/64	7-1/2	2-3/4	7	3-1/2	7-7/16	3-11/16	49/64	1-11/32	2-3/4	1-15/32
214	2-7/16 2-1/2	22.9 22.5	TP40	2-25/64	8-1/2	2-1/2	8	4	8-5/16	4	7/8	1-33/64	2-3/4	1-19/32
215	2-11/16	26.2	TP40	2-29/64	8-1/2	2-1/2	8	4	8-5/16	4-7/16	57/64	1-43/64	2-3/4	1-5/8
216	2 -15/16 3	31.0 30.7	TP50	2-11/16	9-1/2	2-3/4	9	4-1/2	9-5/8	4-11/16	29/32	1-55/64	3-1/8	1-5/8
218	3-7/16 3-1/2	41.4 41.1	TP50	2-51/64	11	3-1/8	10-1/2	5-1/2	11	5-3/16	1	1-51/64	3-1/8	1-45/64

Lube fitting thread size - 1/8-27 NPT

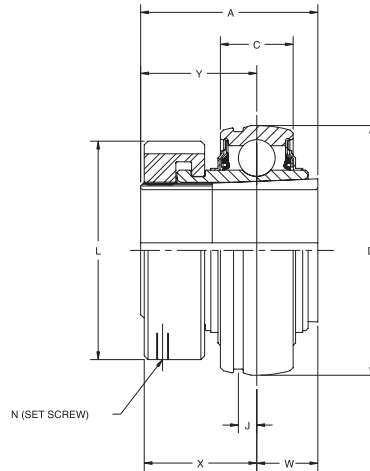
#R & S dimensions will vary slightly depending on true shaft diameter.

FEATURES/BENEFITS PAGE B2-2	HOW TO ORDER/NOMENCLATURE PAGE B2-4	SELECTION PAGE B2-5	RELATED PRODUCTS PAGE B2-96
--------------------------------	--	------------------------	--------------------------------

# SELECTION/DIMENSIONS



## GRIP TIGHT Adapter Ball Bearings GT NORMAL DUTY BEARING INSERTS



Series	Shaft Size	Complete Unit		Unit without Adapter Sleeve & Lock Nut		Adapter Sleeve & Lock Nut Assembly	
		Part No.	Description	Part No.	Description	Part No.	Description
203	1/2	<b>129774</b>	INS-GT-008	<b>129516</b>	INS-GT-03	<b>129902</b>	AN-GT-03-008
	5/8	<b>129775</b>	INS-GT-010			<b>129903</b>	AN-GT-03-010
	17mm	<b>129796</b>	INS-GT-17M			<b>129942</b>	AN-GT-03-17M
204	3/4	<b>129776</b>	INS-GT-012	<b>129517</b>	INS-GT-04	<b>129904</b>	AN-GT-04-012
	20mm	<b>129797</b>	INS-GT-20M			<b>129943</b>	AN-GT-04-20M
205	7/8	<b>129777</b>	INS-GT-014	<b>129518</b>	INS-GT-05	<b>129905</b>	AN-GT-05-014
	15/16	<b>129778</b>	INS-GT-015			<b>129906</b>	AN-GT-05-015
	1	<b>129779</b>	INS-GT-100			<b>129907</b>	AN-GT-05-100
	25mm	<b>129798</b>	INS-GT-25M			<b>129944</b>	AN-GT-05-25M
206	1-1/8	<b>129780</b>	INS-GT-102	<b>129519</b>	INS-GT-06	<b>129908</b>	AN-GT-06-102
	1-3/16	<b>129781</b>	INS-GT-103			<b>129909</b>	AN-GT-06-103
	1-1/4	<b>129782</b>	INS-GT-104S			<b>129910</b>	AN-GT-06-104S
	30mm	<b>129799</b>	INS-GT-30M			<b>129945</b>	AN-GT-06-30M
207	1-1/4	<b>129783</b>	INS-GT-104	<b>129520</b>	INS-GT-07	<b>129911</b>	AN-GT-07-104
	1-3/8	<b>129784</b>	INS-GT-106			<b>129912</b>	AN-GT-07-106
	1-7/16	<b>129785</b>	INS-GT-107			<b>129913</b>	AN-GT-07-107
	35mm	<b>129800</b>	INS-GT-35M			<b>129946</b>	AN-GT-07-35M

@ Assembled to order.

FEATURES/BENEFITS PAGE B2-2	HOW TO ORDER/NOMENCLATURE PAGE B2-4	SELECTION PAGE B2-5	RELATED PRODUCTS PAGE B2-96
--------------------------------	--	------------------------	--------------------------------

# SELECTION/DIMENSIONS



## GRIP TIGHT Adapter Ball Bearings GT NORMAL DUTY BEARING INSERTS

Bearing Quick Reference

E-Z KLEEN

GRIP TIGHT Adapter Ball Bearing

Set Screw Ball Bearing

Eccentric Collar Ball Bearing

Series	Shaft Size	Weight lbs kg	A	C	D	J	L	N SetScrew (UNF)	W#	X	Y#
203	1/2	0.3	1-11/32	0.5110	1.5748	0.150	1-13/32	#10-32 x 1/4	13/32	59/64	15/16
	5/8 17mm	0.3 0.1	34.1	13.0	40.0	3.8	35.7		10.3	23.4	23.8
204	3/4	0.6	1-15/32	0.5906	1.8504	0.152	1-1/2	#10-32 x 1/4	31/64	63/64	63/64
	20mm	0.3	37.3	15.0	47.0	3.9	38.1		12.3	25.0	25.0
205	7/8	0.8	1-29/64	0.5906	2.0472	0.152	1-51/64	#10-32 x 1/4	1/2	61/64	61/64
	15/16	0.8									
	1 25mm	0.8 0.4							36.9		
206	1-1/8	1.2	1-39/64	0.7087	2.4409	0.190	2	#10-32 x 1/4	17/32	1-1/32	1-5/64
	1-3/16	1.2									
	1-1/4	1.1									
	30mm	0.6							40.9		
207	1-1/4	1.8	1-5/8	0.7480	2.8346	0.202	2-19/64	#10-32 x 1/4	9/16	1-3/64	1-1/16
	1-3/8	1.8									
	1-7/16	1.7									
	35mm	0.8							41.3		

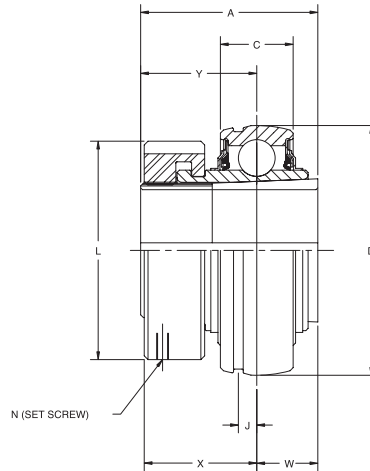
#W & Y dimensions will vary slightly depending on true shaft diameter.

FEATURES/BENEFITS PAGE B2-2	HOW TO ORDER/NOMENCLATURE PAGE B2-4	SELECTION PAGE B2-5	RELATED PRODUCTS PAGE B2-96
--------------------------------	--	------------------------	--------------------------------

# SELECTION/DIMENSIONS



## GRIP TIGHT Adapter Ball Bearings GT NORMAL DUTY BEARING INSERTS



Series	Shaft Size	Complete Unit		Unit without Adapter Sleeve & Lock Nut		Adapter Sleeve & Lock Nut Assembly	
		Part No.	Description	Part No.	Description	Part No.	Description
208	1-1/2	<b>129786</b>	INS-GT-108	<b>129521</b>	INS-GT-08	<b>129914</b>	AN-GT-08-108
	1-5/8	<b>129844</b>	INS-GT-110			<b>129955</b>	AN-GT-08-110
	40mm	<b>129801</b>	INS-GT-40M			<b>129947</b>	AN-GT-08-40M
209	1-5/8	<b>129787</b>	INS-GT-110L	<b>129522</b>	INS-GT-09	<b>129915</b>	AN-GT-09-110L
	1-11/16	<b>129788</b>	INS-GT-111			<b>129916</b>	AN-GT-09-111
	1-3/4	<b>129789</b>	INS-GT-112			<b>129917</b>	AN-GT-09-112
	45mm	<b>129802</b>	INS-GT-45M			<b>129948</b>	AN-GT-09-45M
210	1-15/16	<b>129790</b>	INS-GT-115	<b>129523</b>	INS-GT-10	<b>129918</b>	AN-GT-10-115
	2	<b>129791</b>	INS-GT-200			<b>129919</b>	AN-GT-10-200
	50mm	<b>129803</b>	INS-GT-50M			<b>129949</b>	AN-GT-10-50M
211	2	<b>129815</b>	INS-GTM-200	<b>129524</b>	INS-GT-11	<b>129932</b>	AN-GTM-11-200
	2-3/16	<b>129792</b>	INS-GT-203			<b>129920</b>	AN-GT-11-203
	2-1/4	<b>129845</b>	INS-GT-204			<b>129956</b>	AN-GT-11-204
	55mm	<b>129804</b>	INS-GT-55M			<b>129950</b>	AN-GT-11-55M
212	2-1/4	<b>129817</b>	INS-GTM-204	<b>129525</b>	INS-GT-12	<b>129934</b>	AN-GTM-12-204
	2-7/16	<b>129793</b>	INS-GT-207			<b>129921</b>	AN-GT-12-207
	60mm	<b>129805</b>	INS-GT-60M			<b>129951</b>	AN-GT-12-60M
214	2-1/2	<b>129819</b>	INS-GTM-208	<b>129526</b>	INS-GT-14	<b>129936</b>	AN-GTM-14-208
	2-11/16	<b>129794</b>	INS-GT-211			<b>129922</b>	AN-GT-14-211
	70mm	<b>129806</b>	INS-GT-70M			<b>129952</b>	AN-GT-14-70M
215	2-15/16	<b>129795</b>	INS-GT-215	<b>129527</b>	INS-GT-15	<b>129923</b>	AN-GT-15-215
	3	@	INS-GT-300			<b>129987</b>	AN-GT-15-300
	75mm	<b>129807</b>	INS-GT-75M			<b>129953</b>	AN-GT-15-75M

@ Assembled to order.

FEATURES/BENEFITS PAGE B2-2	HOW TO ORDER/NOMENCLATURE PAGE B2-4	SELECTION PAGE B2-5	RELATED PRODUCTS PAGE B2-96
--------------------------------	--	------------------------	--------------------------------



# SELECTION/DIMENSIONS



## GRIP TIGHT Adapter Ball Bearings GT NORMAL DUTY BEARING INSERTS

Series	Shaft Size	Weight lbs kg	A	C	D	J	L	N SetScrew (UNF)	W#	X	Y#
208	1-1/2	2.2	1-27/32	0.8661	3.1496	0.224	2-1/2	#10-32 x 1/4	21/32	1-9/64	1-3/16
	1-5/8	2.0							16.7	29.0	30.2
	40mm	1.0	46.8	22.0	80.0	5.7	63.5				
209	1-5/8	2.5	1-27/32	0.8661	3.3465	0.248	2-43/64	#10-32 x 1/4	21/32	1-5/32	1-3/16
	1-11/16	2.5							16.7	29.4	30.2
	1-3/4	2.5	46.8	22.0	85.0	6.3	67.9				
210	1-15/16	3.0	1-55/64	0.8661	3.5433	0.248	2-15/16	#10-32 x 1/4	21/32	1-5/32	1-13/64
	2	3.0							16.7	29.4	30.6
	50mm	1.4	47.2	22.0	90.0	6.3	74.6				
211	2	3.6	1-59/64	0.9449	3.9370	0.267	3-1/4	#10-32 x 1/4	45/64	1-3/16	1-7/32
	2-3/16	3.4							17.9	30.2	31.0
	2-1/4	3.3	48.8	24.0	100.0	6.8	82.6				
212	2-1/4	4.8	2-7/64	1.0240	4.3307	0.250	3-1/2	#10-32 x 1/4	49/64	1-5/16	1-11/32
	2-7/16	4.8							19.4	33.3	34.1
	60mm	2.2	53.6	26.0	110.0	6.4	88.9				
214	2-1/2	5.4	2-25/64	1.1020	4.9213	0.265	3-13/16	#10-32 x 1/4	7/8	1-15/32	1-33/64
	2-11/16	5.0							22.2	37.3	38.5
	70mm	2.5	60.7	28.0	125.0	6.7	96.8				
215	2-15/16	5.9	2-9/16	1.1420	5.1181	0.265	4-1/4	#10-32 x 1/4	57/64	1-5/8	1-43/64
	3	5.7							22.6	41.3	42.5
	75mm	2.7	65.1	29.0	130.0	6.7	108.0				

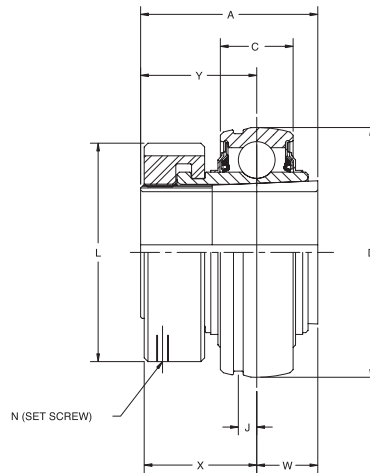
#W & Y dimensions will vary slightly depending on true shaft diameter.

FEATURES/BENEFITS PAGE B2-2	HOW TO ORDER/NOMENCLATURE PAGE B2-4	SELECTION PAGE B2-5	RELATED PRODUCTS PAGE B2-96
--------------------------------	--	------------------------	--------------------------------

# SELECTION/DIMENSIONS



## GRIP TIGHT Adapter Ball Bearings GTM MEDIUM DUTY BEARING INSERTS



Series	Shaft Size	Complete Unit		Unit without Adapter Sleeve & Lock Nut		Adapter Sleeve & Lock Nut Assembly	
		Part No.	Description	Part No.	Description	Part No.	Description
205	3/4	<b>129417</b>	INS-GTM-012	<b>129518</b>	INS-GT-05	<b>129924</b>	AN-GTM-05-012
206	1 25mm	<b>129808</b>	INS-GTM-100	<b>129519</b>	INS-GT-06	<b>129925</b>	AN-GTM-06-100
		<b>129889</b>	INS-GTM-25M			<b>129957</b>	AN-GTM-06-25M
207	1-3/16	<b>129809</b>	INS-GTM-103	<b>129520</b>	INS-GT-07	<b>129926</b>	AN-GTM-07-103
	1-1/4	<b>129783</b>	INS-GT-104			<b>129911</b>	AN-GT-07-104
	30mm	<b>129890</b>	INS-GTM-30M			<b>129954</b>	AN-GTM-07-30M
208	1-7/16	<b>129810</b>	INS-GTM-107	<b>129521</b>	INS-GT-08	<b>129927</b>	AN-GTM-08-107
	35mm	<b>129891</b>	INS-GTM-35M			<b>129958</b>	AN-GTM-08-35M
209	1-1/2	<b>129811</b>	INS-GTM-108	<b>129522</b>	INS-GT-09	<b>129928</b>	AN-GTM-09-108
	1-5/8	<b>129787</b>	INS-GT-110L			<b>129959</b>	AN-GTM-09-40M
	40mm	<b>129892</b>	INS-GTM-40M				
210	1-11/16	<b>129812</b>	INS-GTM-111	<b>129523</b>	INS-GT-10	<b>129929</b>	AN-GTM-10-111
	1-3/4	<b>129813</b>	INS-GTM-112			<b>129930</b>	AN-GTM-10-112
	45mm	<b>129893</b>	INS-GTM-45M			<b>129960</b>	AN-GTM-10-45M

@ Assembled to order.

FEATURES/BENEFITS  
PAGE B2-2

HOW TO ORDER/NOMENCLATURE  
PAGE B2-4

SELECTION  
PAGE B2-5

RELATED PRODUCTS  
PAGE B2-96

# SELECTION/DIMENSIONS



## GRIP TIGHT Adapter Ball Bearings GTM MEDIUM DUTY BEARING INSERTS

Bearing Quick Reference

E-Z KLEEN

GRIP TIGHT Adapter Ball Bearing

Set Screw Ball Bearing

Eccentric Collar Ball Bearing

Series	Shaft Size	Weight lbs kg	A	C	D	J	L	N SetScrew (UNF)	W#	X	Y#
205	3/4	0.9	1-29/64	0.5906	2.0472	0.152	1-51/64	#10-32 x 1/4	1/2	61/64	61/64
206	1	1.8	1-39/64	0.7087	2.4409	0.190	2	#10-32 x 1/4	17/32	1-1/32	1-5/64
	25mm	0.8	40.9	18.0	62.0	4.8	51.0		13.5	26.2	27.4
207	1-3/16	2.2	1-5/8	0.7480	2.8346	0.202	2-19/64	#10-32 x 1/4	9/16	1-3/64	1-1/16
	1-1/4	1.7							14.3	26.6	27.0
	30mm	1.0	41.3	19.0	72.0	5.1	58.3				
208	1-7/16	2.5	1-27/32	0.8661	3.1496	0.224	2-1/2	#10-32 x 1/4	21/32	1-9/64	1-3/16
	35mm	1.1	46.8	22.0	80.0	5.7	63.5		16.7	29.0	30.2
209	1-1/2	3.0	1-55/64	0.8661	3.3465	0.248	2-43/64	#10-32 x 1/4	21/32	1-5/32	1-3/16
	1-5/8	2.5							16.7	29.4	30.2
	40mm	1.1	47.2	22.0	85.0	6.3	67.9				
210	1-11/16	3.0	1-55/64	0.8661	3.5433	0.248	2-15/16	#10-32 x 1/4	21/32	1-5/32	1-13/64
	1-3/4	3.0							16.7	29.4	30.6
	45mm	1.4	47.2	22.0	90.0	6.3	74.6				

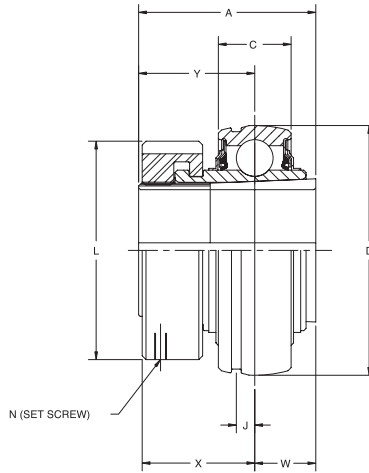
#W & Y dimensions will vary slightly depending on true shaft diameter.

FEATURES/BENEFITS PAGE B2-2	HOW TO ORDER/NOMENCLATURE PAGE B2-4	SELECTION PAGE B2-5	RELATED PRODUCTS PAGE B2-96
--------------------------------	--	------------------------	--------------------------------

# SELECTION/DIMENSIONS



## GRIP TIGHT Adapter Ball Bearings GTM MEDIUM DUTY BEARING INSERTS



Series	Shaft Size	Complete Unit		Unit without Adapter Sleeve & Lock Nut		Adapter Sleeve & Lock Nut Assembly	
		Part No.	Description	Part No.	Description	Part No.	Description
211	1-15/16 2 50mm	<b>129814</b>	INS-GTM-115	<b>129524</b>	INS-GT-11	<b>129931</b>	AN-GTM-11-115
		<b>129815</b>	INS-GTM-200			<b>129932</b>	AN-GTM-11-200
		<b>129894</b>	INS-GTM-50M			<b>129961</b>	AN-GTM-11-50M
212	2-3/16 2-1/4 55mm	<b>129816</b>	INS-GTM-203	<b>129525</b>	INS-GT-12	<b>129933</b>	AN-GTM-12-203
		<b>129817</b>	INS-GTM-204			<b>129934</b>	AN-GTM-12-204
		<b>129895</b>	INS-GTM-55M			<b>129962</b>	AN-GTM-12-55M
214	2-7/16 2-1/2 65mm	<b>129818</b>	INS-GTM-207	<b>129526</b>	INS-GT-14	<b>129935</b>	AN-GTM-14-207
		<b>129819</b>	INS-GTM-208			<b>129936</b>	AN-GTM-14-208
		<b>129896</b>	INS-GTM-65M			<b>129963</b>	AN-GTM-14-65M
215	2-11/16 70mm	<b>129820</b>	INS-GTM-211	<b>129527</b>	INS-GT-15	<b>129937</b>	AN-GTM-15-211
		<b>129897</b>	INS-GTM-70M			<b>129964</b>	AN-GTM-15-70M
216	2-15/16 3 75mm	<b>129821</b>	INS-GTM-215	<b>129528</b>	INS-GT-16	<b>129938</b>	AN-GTM-16-215
		<b>129822</b>	INS-GTM-300			<b>129939</b>	AN-GTM-16-300
		<b>129898</b>	INS-GTM-75M			<b>129965</b>	AN-GTM-16-75M
218	3-7/16 3-1/2 85mm	<b>129823</b>	INS-GTM-307	<b>129529</b>	INS-GT-18	<b>129940</b>	AN-GTM-18-307
		<b>129824</b>	INS-GTM-308			<b>129941</b>	AN-GTM-18-308
		<b>129899</b>	INS-GTM-85M			<b>129966</b>	AN-GTM-18-85M

@ Assembled to order.

FEATURES/BENEFITS PAGE B2-2	HOW TO ORDER/NOMENCLATURE PAGE B2-4	SELECTION PAGE B2-5	RELATED PRODUCTS PAGE B2-96
--------------------------------	--	------------------------	--------------------------------

# SELECTION/DIMENSIONS



## GRIP TIGHT Adapter Ball Bearings GTM MEDIUM DUTY BEARING INSERTS

Bearing Quick Reference

E-Z KLEEN

GRIP TIGHT Adapter Ball Bearing

Set Screw Ball Bearing

Eccentric Collar Ball Bearing

Series	Shaft Size	Weight lbs kg	A	C	D	J	L	N SetScrew (UNF)	W#	X	Y#
211	1-15/16	3.4	1-59/64	0.9449	3.9370	0.267	3-1/4	#10-32 x 1/4	45/64	1-3/16	1-7/32
	2	3.3							17.9	30.2	31.0
	50mm	1.5	48.8	24.0	100.0	6.8	82.6				
212	2-3/16	4.9	2-7/64	1.0240	4.3307	0.250	3-1/2	#10-32 x 1/4	49/64	1-5/16	1-11/32
	2-1/4	4.8							19.4	33.3	34.1
	55mm	2.2	53.6	26.0	110.0	6.4	88.9				
214	2-7/16	5.5	2-25/64	1.1020	4.9213	0.265	3-13/16	#10-32 x 1/4	7/8	1-15/32	1-33/64
	2-1/2	5.4							22.2	37.3	38.5
	65mm	2.5	60.7	28.0	125.0	6.7	96.8				
215	2-11/16	5.9	2-9/16	1.1420	5.1181	0.265	4-1/4	#10-32 x 1/4	57/64	1-5/8	1-43/64
	70mm	2.7	65.1	29.0	130.0	6.7	108.0		22.6	41.3	42.5
216	2-15/16	6.9	2-49/64	1.1810	5.5118	0.285	4-1/2	#10-32 x 1/4	29/32	1-51/64	1-55/64
	3	6.8							23.0	45.6	47.2
218	3-7/16	8.8	2-51/64	1.3400	6.2992	0.300	5	#10-32 x 1/4	1	1-3/4	1-51/64
	3-1/2	8.7							25.3	44.5	45.6
	85mm	4.0	71.0	34.0	160.0	7.6	127.0				

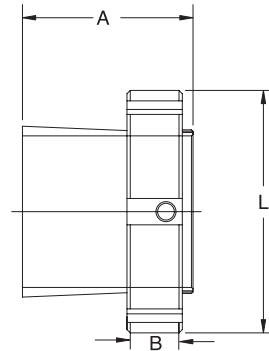
#W & Y dimensions will vary slightly depending on true shaft diameter.

FEATURES/BENEFITS PAGE B2-2	HOW TO ORDER/NOMENCLATURE PAGE B2-4	SELECTION PAGE B2-5	RELATED PRODUCTS PAGE B2-96
--------------------------------	--	------------------------	--------------------------------

# SELECTION/DIMENSIONS



## GRIP TIGHT Adapter Ball Bearings GT AND GTM ADAPTER & LOCK NUT ASSEMBLIES



Series	Shaft Size	Adapter Sleeve & Lock Nut Assembly	
		Part No.	Description
203	1/2	<b>129902</b>	AN-GT-03-008
	5/8	<b>129903</b>	AN-GT-03-010
	17mm	<b>129942</b>	AN-GT-03-17M
204	3/4	<b>129904</b>	AN-GT-04-012
	20mm	<b>129943</b>	AN-GT-04-20M
205	3/4	<b>129924</b>	AN-GTM-05-012
	7/8	<b>129905</b>	AN-GT-05-014
	15/16	<b>129906</b>	AN-GT-05-015
	1	<b>129907</b>	AN-GT-05-100
	25mm	<b>129944</b>	AN-GT-05-25M
206	1	<b>129925</b>	AN-GTM-06-100
	1-1/8	<b>129908</b>	AN-GT-06-102
	1-3/16	<b>129909</b>	AN-GT-06-103
	1-1/4	<b>129910</b>	AN-GT-06-104S
	25mm	<b>129957</b>	AN-GTM-06-25M
207	30mm	<b>129945</b>	AN-GT-06-30M
	1-3/16	<b>129926</b>	AN-GTM-07-103
	1-1/4	<b>129911</b>	AN-GT-07-104
	1-3/8	<b>129912</b>	AN-GT-07-106
	1-7/16	<b>129913</b>	AN-GT-07-107
208	30mm	<b>129954</b>	AN-GTM-07-30M
	35mm	<b>129946</b>	AN-GT-07-35M
	1-7/16	<b>129927</b>	AN-GTM-08-107
	1-1/2	<b>129914</b>	AN-GT-08-108
	1-5/8	<b>129955</b>	AN-GT-08-110
209	35mm	<b>129958</b>	AN-GTM-08-35M
	40mm	<b>129947</b>	AN-GT-08-40M
	1-1/2	<b>129928</b>	AN-GTM-09-108
	1-5/8	<b>129915</b>	AN-GT-09-110L
	1-11/16	<b>129916</b>	AN-GT-09-111
210	1-3/4	<b>129903</b>	AN-GTM-10-111
	1-15/16	<b>129918</b>	AN-GTM-10-115
	2	<b>129919</b>	AN-GT-10-200
	45mm	<b>129960</b>	AN-GTM-10-45M
211	50mm	<b>129949</b>	AN-GT-10-50M
	1-15/16	<b>129931</b>	AN-GTM-11-115
	2	<b>129932</b>	AN-GTM-11-200
	2-3/16	<b>129920</b>	AN-GT-11-203
	2-1/4	<b>129956</b>	AN-GT-11-204
212	50mm	<b>129961</b>	AN-GTM-11-50M
	55mm	<b>129950</b>	AN-GT-11-55M
	2-3/16	<b>129933</b>	AN-GTM-12-203
	2-1/4	<b>129934</b>	AN-GTM-12-204
	2-7/16	<b>129921</b>	AN-GT-12-207
214	55mm	<b>129962</b>	AN-GTM-12-55M
	60mm	<b>129951</b>	AN-GT-12-60M
	2-7/16	<b>129935</b>	AN-GTM-14-207
	2-1/2	<b>129936</b>	AN-GTM-14-208
	2-11/16	<b>129922</b>	AN-GT-14-211
215	65mm	<b>129963</b>	AN-GTM-14-65M
	70mm	<b>129952</b>	AN-GT-14-70M
	2-11/16	<b>129937</b>	AN-GTM-15-211
	2-15/16	<b>129923</b>	AN-GT-15-215
	3	<b>129987</b>	AN-GT-15-300
216	70mm	<b>129964</b>	AN-GTM-15-70M
	75mm	<b>129953</b>	AN-GT-15-75M
	2-15/16	<b>129938</b>	AN-GTM-16-215
	3	<b>129939</b>	AN-GTM-16-300
	75mm	<b>129965</b>	AN-GTM-16-75M
218	3-7/16	<b>129940</b>	AN-GTM-18-307
	3-1/2	<b>129941</b>	AN-GTM-18-308
	85mm	<b>129966</b>	AN-GTM-18-85M

Series	Shaft Size	Adapter Sleeve & Lock Nut Assembly	
		Part No.	Description
203	1/2	<b>129902</b>	AN-GT-03-008
	5/8	<b>129903</b>	AN-GT-03-010
	17mm	<b>129942</b>	AN-GT-03-17M
204	3/4	<b>129904</b>	AN-GT-04-012
	20mm	<b>129943</b>	AN-GT-04-20M
205	3/4	<b>129924</b>	AN-GTM-05-012
	7/8	<b>129905</b>	AN-GT-05-014
	15/16	<b>129906</b>	AN-GT-05-015
	1	<b>129907</b>	AN-GT-05-100
	25mm	<b>129944</b>	AN-GT-05-25M
206	1	<b>129925</b>	AN-GTM-06-100
	1-1/8	<b>129908</b>	AN-GT-06-102
	1-3/16	<b>129909</b>	AN-GT-06-103
	1-1/4	<b>129910</b>	AN-GT-06-104S
	25mm	<b>129957</b>	AN-GTM-06-25M
207	30mm	<b>129945</b>	AN-GT-06-30M
	1-3/16	<b>129926</b>	AN-GTM-07-103
	1-1/4	<b>129911</b>	AN-GT-07-104
	1-3/8	<b>129912</b>	AN-GT-07-106
	1-7/16	<b>129913</b>	AN-GT-07-107
208	30mm	<b>129954</b>	AN-GTM-07-30M
	35mm	<b>129946</b>	AN-GT-07-35M
	1-7/16	<b>129927</b>	AN-GTM-08-107
	1-1/2	<b>129914</b>	AN-GT-08-108
	1-5/8	<b>129955</b>	AN-GT-08-110
209	35mm	<b>129958</b>	AN-GTM-08-35M
	40mm	<b>129947</b>	AN-GT-08-40M
	1-1/2	<b>129928</b>	AN-GTM-09-108
	1-5/8	<b>129915</b>	AN-GT-09-110L
	1-11/16	<b>129916</b>	AN-GT-09-111
210	1-3/4	<b>129903</b>	AN-GTM-10-111
	1-15/16	<b>129918</b>	AN-GTM-10-115
	2	<b>129919</b>	AN-GT-10-200
	45mm	<b>129960</b>	AN-GTM-10-45M
211	50mm	<b>129949</b>	AN-GT-10-50M
	1-15/16	<b>129931</b>	AN-GTM-11-115
	2	<b>129932</b>	AN-GTM-11-200
	2-3/16	<b>129920</b>	AN-GT-11-203
	2-1/4	<b>129956</b>	AN-GT-11-204
212	50mm	<b>129961</b>	AN-GTM-11-50M
	55mm	<b>129950</b>	AN-GT-11-55M
	2-3/16	<b>129933</b>	AN-GTM-12-203
	2-1/4	<b>129934</b>	AN-GTM-12-204
	2-7/16	<b>129921</b>	AN-GT-12-207
214	55mm	<b>129962</b>	AN-GTM-12-55M
	60mm	<b>129951</b>	AN-GT-12-60M
	2-7/16	<b>129935</b>	AN-GTM-14-207
	2-1/2	<b>129936</b>	AN-GTM-14-208
	2-11/16	<b>129922</b>	AN-GT-14-211
215	65mm	<b>129963</b>	AN-GTM-14-65M
	70mm	<b>129952</b>	AN-GT-14-70M
	2-11/16	<b>129937</b>	AN-GTM-15-211
	2-15/16	<b>129923</b>	AN-GT-15-215
	3	<b>129987</b>	AN-GT-15-300
216	70mm	<b>129964</b>	AN-GTM-15-70M
	75mm	<b>129953</b>	AN-GT-15-75M
	2-15/16	<b>129938</b>	AN-GTM-16-215
	3	<b>129939</b>	AN-GTM-16-300
	75mm	<b>129965</b>	AN-GTM-16-75M
218	3-7/16	<b>129940</b>	AN-GTM-18-307
	3-1/2	<b>129941</b>	AN-GTM-18-308
	85mm	<b>129966</b>	AN-GTM-18-85M

FEATURES/BENEFITS PAGE B2-2	HOW TO ORDER/NOMENCLATURE PAGE B2-4	SELECTION PAGE B2-5	RELATED PRODUCTS PAGE B2-96
--------------------------------	--	------------------------	--------------------------------

# SELECTION/DIMENSIONS



## GRIP TIGHT Adapter Ball Bearings GT AND GTM ADAPTER & LOCK NUT ASSEMBLIES

Series	Shaft Size	Weight lbs kg	A	B	L
203	1/2	.3	1.290	33/64	1.40
	5/8	.2			
	17mm	.1	32.8	13.1	35.6
204	3/4	.3	1.475	37/64	1.50
	20mm	.1	37.5	14.7	38.1
205	3/4	.4	1.460	37/64	1.80
	7/8	.4			
	15/16	.4			
	1	.3			
206	25mm	.1	37.1	14.7	45.7
	1	.5	1.610	5/8	2.08
	1-1/8	.4			
	1-3/16	.4			
	1-1/4	.3			
207	25mm	.2	40.9	15.9	52.8
	30mm	.2			
	1-3/16	.7	1.618	5/8	2.38
	1-1/4	.6			
208	1-3/8	.5			
	1-7/16	.5			
	30mm	.2	41.1	15.9	60.5
	35mm	.2			
	1-7/16	.8	1.837	5/8	2.62
209	1-1/2	.7			
	1-5/8	.5			
	35mm	.4	46.7	15.9	66.5
	40mm	.3			
210	1-11/16	.9	1.852	21/32	2.86
	1-5/8	.8			
	1-11/16	.7			
	1-3/4	.6			
	40mm	.4	47.0	16.7	72.6
211	45mm	.3			

Series	Shaft Size	Weight lbs kg	A	B	L
210	1-11/16	1.1	1.858	21/32	3.13
	1-3/4	1.0			
	1-15/16	.8			
	2	.7			
	45mm	.5	47.2	16.7	79.5
211	50mm	.3			
	1-15/16	1.4	1.925	43/64	3.43
	2	1.2			
	2-3/16	.9			
212	2-1/4	.8			
	50mm	.6	48.9	17.1	87.1
	55mm	.4			
	2-3/16	1.6	2.116	3/4	3.69
	2-1/4	1.5			
214	2-7/16	1.1			
	55mm	.7	53.8	19.1	93.7
	60mm	.6			
	2-7/16	2.2	2.386	3/4	4.00
215	2-1/2	2.0			
	2-11/16	1.5			
	65mm	.8	60.6	19.1	101.6
	70mm	.6			
	2/11/16	3.0	2.460	3/4	4.44
216	2-15/16	2.2			
	3	1.3	62.5	19.1	112.8
	70mm	1.0			
	75mm	1.0			
218	2-15/16	3.0	2.695	3/4	4.69
	3	2.8			
	75mm	1.4	68.5	19.1	119.1
218	3-7/16	3.4	2.800	53/64	5.19
	3-1/2	3.1			
	85mm	1.7	71.1	21.0	131.8

FEATURES/BENEFITS PAGE B2-2	HOW TO ORDER/NOMENCLATURE PAGE B2-4	SELECTION PAGE B2-5	RELATED PRODUCTS PAGE B2-96
--------------------------------	--	------------------------	--------------------------------

## RELATED PRODUCTS



### DODGE Ball Bearing End Covers

- Fits DODGE cast iron housed ball bearings: Pillow Blocks, 2 and 4 Bolt flanges, and Take-Up bearings
- Injected molded, impact resistant, OSHA safety yellow end covers meet requirements for exposed rotating shafts
- Stainless steel “C” washer for gripping power
- No modification or machining of existing housings required
- Concentric knockout grooves on inside of end cover for thru-shaft
- DODGE six digit part number and description embossed inside
- Operating temperature to 250° F
- For no relubrication/sealed for life applications (-NL), part number **430020** hex head plug is available



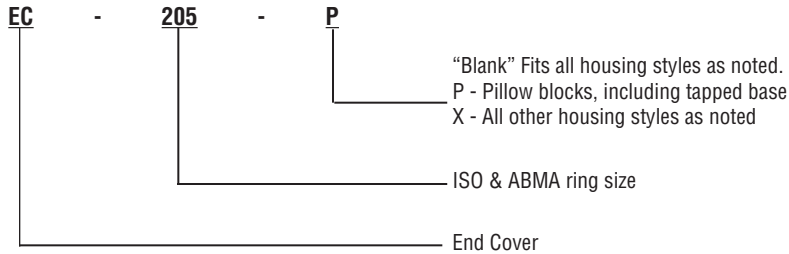
FEATURES/BENEFITS PAGE B2-2	HOW TO ORDER/NOMENCLATURE PAGE B2-4	SELECTION PAGE B2-5	SELECTION/DIMENSIONS PAGE B2-8
--------------------------------	--	------------------------	-----------------------------------



# RELATED PRODUCTS



## Nomenclature



Series	Pillow Blocks Std, U, B	Tapped Base PB	2 Bolt Flange	Flanged Bracket	4 Bolt Flange	Piloted Flange (FC)	Narrow Slot Take-Up	Wide Slot Take-Up
203	X		X		X			
204	X	X	X	X	X		X	X
205	X	X	X	X	X		X	X
206	X	X	X	X	X	@	X	X
207	X	X	X	X	X	@	X	X
208	X	X	X		X	@	X	X
209	X	X	X		X	@	X	X
210	X	X	X	X	X	@	X	X
211	X	X	X		X	NA	X	X
212	X		X		X	NA	X	X
214	X				X	NA		X
215	X				X			X
216	X				X	X		X
218	X				X	X		

\* = Will not fit LF, LFT, SCHB, HNGR & CYL  
 @ = Some modification required

NA = Will not fit  
 X = Will fit

FEATURES/BENEFITS PAGE B2-2	HOW TO ORDER/NOMENCLATURE PAGE B2-4	SELECTION PAGE B2-5	SELECTION/DIMENSIONS PAGE B2-8
--------------------------------	--	------------------------	-----------------------------------

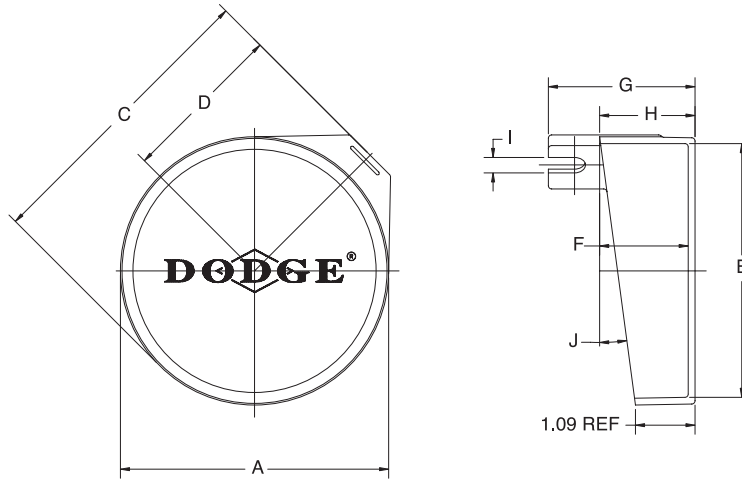
## RELATED PRODUCTS

# DODGE®



### Thin Wall Adapter Ball Bearings

#### BALL BEARING END COVERS FOR PILLOW BLOCKS & TAPPED BASE UNITS



Series	Shaft Size		Part Number	Description
	GT	GTM		
203	1/2 & 5/8 17mm	-----	<b>128200</b>	EC-203-P
204	1/2 - 3/4 20mm	-----	<b>128202</b>	EC-204-P
205	7/8 - 1 25mm	-----	<b>128204</b>	EC-205-P
206	1-1/16 - 1-1/4 30mm	1 25mm	<b>128206</b>	EC-206-P
207	1-1/4 - 1-7/16 35mm	1-3/16 - 1-1/4 30mm	<b>128208</b>	EC-207-P
208	1-1/2 & 1-5/8 40mm	1-7/16 35mm	<b>128210</b>	EC-208-P
209	1-5/8 - 1-3/4 45mm	1-1/2 40mm	<b>128212</b>	EC-209-P
210	1-15/16 & 2 50mm	1-11/16 & 1-3/4 45mm	<b>128214</b>	EC-210-P
211	2 - 2-1/4 55mm	1-15/16 & 2 50mm	<b>128216</b>	EC-211-P
212	2-1/4 & 2-7/16 60mm	2-3/16 & 2-1/4 55mm	<b>128218</b>	EC-212-P

For no re-lube (-NL) applications, part number **430020**, hex head plug is available

FEATURES/BENEFITS  
PAGE B2-2

HOW TO ORDER/NOMENCLATURE  
PAGE B2-4

SELECTION  
PAGE B2-5

SELECTION/DIMENSIONS  
PAGE B2-8

# RELATED PRODUCTS



## Thin Wall Adapter Ball Bearings

### BALL BEARING END COVERS FOR PILLOW BLOCKS & TAPPED BASE UNITS

Bearing Quick Reference

E-Z KLEEN

GRIP TIGHT Adapter Ball Bearing

Set Screw Ball Bearing

Eccentric Collar Ball Bearing

Series	Shaft Size		Weight lbs gm	A	B	C	D	E	F	G	H	I	J
	GT	GTM											
203	1/2 & 5/8 17mm	-----	0.02 10	1-25/32 45.2	1-43/64 42.5	2-7/64 53.6	1-3/32 27.8	1-41/64 41.7	49/64 19.4	1-29/64 36.9	29/32 23.0	1/4 6.4	9°
204	1/2 - 3/4 20mm	-----	0.03 15	2-3/64 52.0	1-27/32 46.8	2-37/64 65.5	1-19/64 32.9	1-55/64 47.2	1-1/64 25.8	1-49/64 44.8	1-5/32 29.4	5/16 7.9	11°
205	7/8 - 1 25mm	-----	0.05 24	2-3/8 60.3	2-3/16 55.6	2-13/16 71.4	1-3/16 30.2	2-5/32 54.8	1-1/16 27.0	1-7/8 47.6	1-7/32 31.0	11/32 8.7	9°
206	1-1/16 -1-1/4 30mm	1 25mm	0.08 36	2-47/64 69.5	2-17/32 64.3	3-21/64 84.5	1-45/64 43.3	2-1/2 63.5	1-15/64 31.4	2-5/32 54.8	1-13/32 35.7	23/64 9.1	9°
207	1-1/4 -1-7/16 35mm	1-3/16 -1-1/4 30mm	0.12 53	3-1/4 82.6	3 76.2	3-51/64 96.4	1-29/32 48.4	3-1/64 76.6	1-5/16 33.3	2-11/32 59.5	1-31/64 37.7	3/8 9.5	7° 30'
208	1-1/2 & 1-5/8 40mm	1-7/16 35mm	0.14 64	3-3/8 85.7	3-1/8 79.4	4 101.6	2-1/16 52.4	3-7/64 79.0	1-19/64 32.9	2-13/16 71.4	1-1/2 38.1	27/64 10.7	6°
209	1-5/8 -1-3/4 45mm	1-1/2 40mm	0.16 73	3-11/16 93.7	3-15/32 88.1	4-17/64 108.3	2-11/64 55.2	3-13/32 86.5	1-21/64 33.7	2-21/64 59.1	1-17/32 38.9	25/64 9.9	7°
210	1-15/16 & 2 50mm	1-11/16 & 1-3/4 45mm	0.18 82	3-7/8 98.4	3-37/64 90.9	4-1/2 114.3	2-19/32 65.9	3-37/64 90.9	1-23/64 34.5	2-1/2 63.5	1-9/16 39.7	31/64 12.3	9°
211	2 - 2-1/4 55mm	1-15/16 & 2 50mm	0.24 108	4-27/64 112.3	4 101.6	5-1/16 128.6	2-19/32 65.9	4-1/8 104.8	1-13/32 35.7	2-37/64 65.5	1-5/8 41.3	29/64 11.5	7°
212	2-1/4 & 2-7/16 60mm	2-3/16 & 2-1/4 55mm	0.27 124	4-59/64 125.0	4-15/32 113.5	5 29/64 138.5	2-3/4 69.9	4-39/64 117.1	1-17/32 38.9	2-11/16 68.3	1-3/4 44.5	13/32 10.3	8°

FEATURES/BENEFITS PAGE B2-2	HOW TO ORDER/NOMENCLATURE PAGE B2-4	SELECTION PAGE B2-5	SELECTION/DIMENSIONS PAGE B2-8
--------------------------------	--	------------------------	-----------------------------------

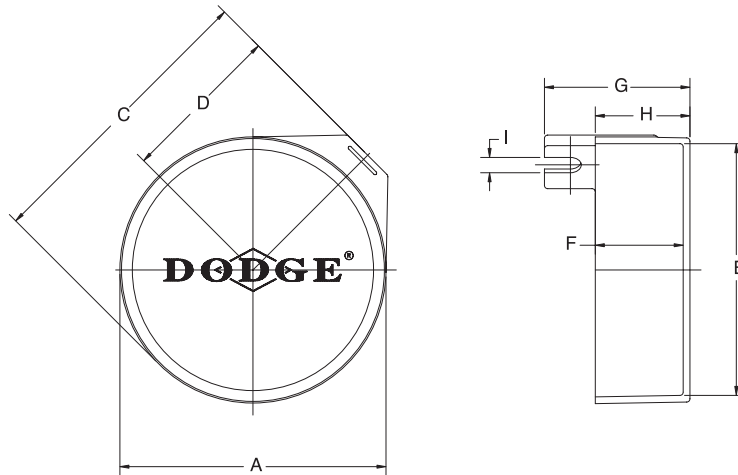
## RELATED PRODUCTS

# DODGE®



### Thin Wall Adapter Ball Bearings

**BALL BEARING END COVERS FOR MOUNTED UNITS OTHER THAN PILLOW BLOCKS & TAPPED BASE UNITS**



Series	Shaft Size		Part Number	Description
	GT	GTM		
203	1/2 & 5/8 17mm	-----	<b>128201</b>	EC-203-X
204	1/2 - 3/4 20mm	-----	<b>128203</b>	EC-204-X
205	7/8 - 1 25mm	-----	<b>128205</b>	EC-205-X
206	1-1/16 - 1-1/4 30mm	1 25mm	<b>128207</b>	EC-206-X
207	1-1/4 - 1-7/16 35mm	1-3/16 - 1-1/4 30mm	<b>128209</b>	EC-207-X
208	1-1/2 & 1-5/8 40mm	1-7/16 35mm	<b>128211</b>	EC-208-X
209	1-5/8 - 1-3/4 45mm	1-1/2 40mm	<b>128213</b>	EC-209-X
210	1-15/16 & 2 50mm	1-11/16 & 1-3/4 45mm	<b>128215</b>	EC-210-X
211	2 - 2-1/4 55mm	1-15/16 & 2 50mm	<b>128217</b>	EC-211-X
212	2-1/4 & 2-7/16 60mm	2-3/16 & 2-1/4 55mm	<b>128219</b>	EC-212-X

**Note:** Above end covers will not fit the LF and LFT bearings

For no re-lube (-NL) applications, part number 430020, hex head plug is available

FEATURES/BENEFITS  
PAGE B2-2

HOW TO ORDER/NOMENCLATURE  
PAGE B2-4

SELECTION  
PAGE B2-5

SELECTION/DIMENSIONS  
PAGE B2-8

# RELATED PRODUCTS



## Thin Wall Adapter Ball Bearings

BALL BEARING END COVERS FOR MOUNTED UNITS OTHER THAN PILLOW BLOCKS & TAPPED BASE UNITS

Series	Shaft Size		Weight lbs gm	A	B	C	D	E	F	G	H	I
	GT	GTM										
203	1/2 & 5/8 17mm	-----	0.02 10	1-51/64 45.6	1-43/64 42.5	2-13/64 56.0	1-3/16 30.2	1-41/64 41.7	51/64 20.2	1-29/64 36.9	15/16 23.8	1/4 6.4
204	1/2 - 3/4 20mm	-----	0.03 15	2-7/32 56.4	2 50.8	2-47/64 69.5	1-25/64 35.3	2-1/32 51.6	1-1/64 25.8	1-13/16 46.0	1-5/32 29.4	5/16 7.9
205	7/8 - 1 25mm	-----	0.05 24	2-3/8 60.3	2-3/16 55.6	3-3/64 77.4	1-19/32 40.5	2-5/32 54.8	1-1/64 25.8	1-53/64 46.4	1-11/64 29.8	11/32 8.7
206	1-1/16 -1-1/4 30mm	1 25mm	0.08 36	2-47/64 69.5	2-17/32 64.3	3-21/64 84.5	1-45/64 43.3	2-1/2 63.5	1-3/16 30.2	2-1/16 52.4	1-23/64 34.5	23/64 9.1
207	1-1/4 -1-7/16 35mm	1-3/16 -1-1/4 30mm	0.12 53	3-1/4 82.6	3 76.2	3-27/32 97.6	1-31/32 50.0	3-1/64 76.6	1-11/32 34.1	2-11/32 59.5	1-17/32 38.9	3/8 9.5
208	1-1/2 & 1-5/8 40mm	1-7/16 35mm	0.14 64	3-3/8 85.7	3-1/8 79.4	4 101.6	2-1/16 52.4	3-7/64 79.0	1-19/64 32.9	2-13/32 61.1	1-1/2 38.1	27/64 10.7
209	1-5/8 -1-3/4 45mm	1-1/2 40mm	0.16 73	3-11/16 93.7	3-15/32 88.1	4-17/64 108.3	2-11/64 55.2	3-13/32 86.5	1-23/64 34.5	2-21/64 59.1	1-17/32 38.9	25/64 9.9
210	1-15/16 & 2 50mm	1-11/16 & 1-3/4 45mm	0.18 82	3-7/8 98.4	3-37/64 90.9	4-1/2 114.3	2-21/64 59.1	3-9/16 90.5	1-23/64 34.5	2-33/64 63.9	1-9/16 39.7	31/64 12.3
211	2 - 2-1/4 55mm	1-15/16 & 2 50mm	0.24 108	4-27/64 112.3	4 101.6	5-1/16 128.6	2-19/32 65.9	4-1/8 104.8	1-29/64 36.9	2-37/64 65.5	1-21/32 42.1	29/64 11.5
212	2-1/4 & 2-7/16 60mm	2-3/16 & 2-1/4 55mm	0.27 124	4-59/64 125.0	4-15/32 113.5	5 15/32 138.9	2-3/4 69.9	4-39/64 117.1	1-35/64 39.3	2-11/16 68.3	1-3/4 44.5	13/32 10.3

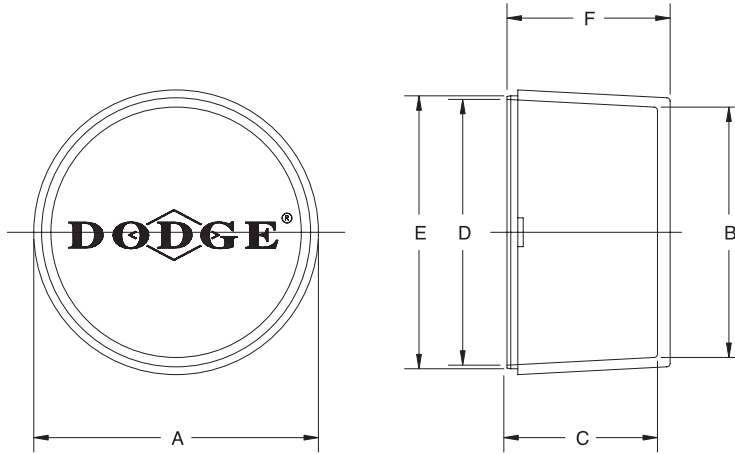
FEATURES/BENEFITS PAGE B2-2	HOW TO ORDER/NOMENCLATURE PAGE B2-4	SELECTION PAGE B2-5	SELECTION/DIMENSIONS PAGE B2-8
--------------------------------	--	------------------------	-----------------------------------

# RELATED PRODUCTS



## Thin Wall Adapter Ball Bearings

### BALL BEARING END COVERS FOR MOUNTED UNITS 214 SERIES AND LARGER



Series	Shaft Size		Part Number	Description
	GT	GTM		
214	2-11/16 70mm	2-7/16 & 2-1/2 65mm	<b>128220</b>	EC-214
215	2-15/16 75mm	2-11/16 70mm	<b>128221</b>	EC-215
216	-----	2-15/16 & 3 75mm	<b>128222</b>	EC-216
218	----- 90mm	3-7/16 & 3-1/2 85mm	<b>128223</b>	EC-218

FEATURES/BENEFITS PAGE B2-2	HOW TO ORDER/NOMENCLATURE PAGE B2-4	SELECTION PAGE B2-5	SELECTION/DIMENSIONS PAGE B2-8
--------------------------------	--	------------------------	-----------------------------------

# RELATED PRODUCTS



## Thin Wall Adapter Ball Bearings

### BALL BEARING END COVERS FOR MOUNTED UNITS 214 SERIES AND LARGER

Bearing Quick Reference

E-Z KLEEN

GRIP TIGHT Adapter Ball Bearing

Set Screw Ball Bearing

Eccentric Collar Ball Bearing

Series	Shaft Size		Weight lbs gm	A	B	C	D	E		F
	GT	GTM						min.	max.	
214	2-11/16	2-7/16 & 2-1/2	0.33	4-15/16	4-11/32	2-39/64	4-39/64	4.737	4.741	2-53/64
	70mm	65mm	151	125.4	110.3	66.3	117.1	120.3	120.4	71.8
215	2-15/16	2-11/16	0.36	5-3/32	4-31/64	2-29/64	4-3/4	4.940	4.944	2-7/8
	75mm	70mm	164	129.4	113.9	62.3	120.7	125.5	125.6	73.0
216	-----	2-15/16 & 3	0.44	5-9/16	4-59/64	2-47/64	5-13/64	5.346	5.350	2-63/64
		75mm	201	141.3	125.0	69.5	132.2	135.8	135.9	75.8
218	-----	3-7/16 & 3-1/2	0.57	6-5/16	5-41/64	2-27/32	5-15/16	6.096	6.100	3-3/32
	90mm	85mm	257	160.3	143.3	72.2	150.8	154.8	154.9	78.6

FEATURES/BENEFITS PAGE B2-2	HOW TO ORDER/NOMENCLATURE PAGE B2-4	SELECTION PAGE B2-5	SELECTION/DIMENSIONS PAGE B2-8
--------------------------------	--	------------------------	-----------------------------------

# NOTES



FEATURES/BENEFITS PAGE B2-2	HOW TO ORDER/NOMENCLATURE PAGE B2-4	SELECTION PAGE B2-5	SELECTION/DIMENSIONS PAGE B2-8
--------------------------------	--	------------------------	-----------------------------------





## Setscrew Ball Bearings

Features / Benefits .....	B3-2
How to Order / Nomenclature .....	B3-4
Selection .....	B3-5
Selection/Dimensions	
Pillow Blocks	
SC - Normal Duty .....	B3-10
SCBAH Air Handling Normal Duty .....	B3-14
SCB Normal Duty .....	B3-18
SCHB Air Handling Normal Duty .....	B3-22
SCH Expansion and Non-Expansion .....	B3-26
SCMAH Air Handling Medium Duty .....	B3-30
VSC Intermediate Duty .....	B3-32
VSCB Intermediate Duty Pillow Blocks .....	B3-36
CC Ball Bearing Fan and Blower Pillow Blocks .....	B3-38
SL Light Duty .....	B3-40
SC Normal Duty Tapped .....	B3-42
Flanges	
2-Bolt Flange .....	B3-44
3-Bolt Flange .....	B3-64
4-Bolt Flange .....	B3-70
Piloted Flange .....	B3-86
Take-Ups	
SC-Normal Duty Narrow Slot .....	B3-90
SCM-Medium Duty Narrow Slot .....	B3-94
VSC - Intermediate Duty Narrow Slot .....	B3-96
SC-Normal Duty Wide Slot .....	B3-98
SCM-Normal Duty Wide Slot .....	B3-102
VSC - Intermediate Duty Wide Slot .....	B3-106
Type G Normal Duty Top Angle .....	B3-110
Hanger Bearings	
SC Normal Duty .....	B3-114
SC Normal Duty Screw Conveyor .....	B3-116
SC Normal Duty Cylindrical Units	
Inserts	
SC - Normal Duty Inserts .....	B3-120
SCH Expansion and Non-Expansion .....	B3-124
SCM Medium Duty .....	B3-126
VSC - Intermediate Duty .....	B3-128
CC Ball Bearing Fan and Blower .....	B3-130
Modification/Accessories .....	B3-132
Related Products	
High Temperature Ball Bearings .....	B3-133
End Closures .....	B3-136
Part Number Index .....	INDEX-1
Key Word Index .....	INDEX-34

## FEATURES/BENEFITS

**DODGE**<sup>®</sup>



### Setscrew Ball Bearings

For over 70 years, DODGE has been talking to mounted bearing users and listening to their needs. This experience led to the design of the optimum mounted ball bearing. A state-of-the-art facility was built in Rogersville, Tennessee, to manufacture the new DODGE design. The result is the DODGE SC/SCM VSC/SL line. It is the most current design setscrew mounted ball bearing on the market and provides the user unmatched quality and true total value.

- Light Duty Narrow Inner Ring (SL)
- Intermediate Duty Narrow Inner Ring (VSC)
- Normal Duty Wide Inner Ring (SC)
- Medium Duty Wide Inner Ring (SCM)
- Wide Variety of Housing Configurations
- Available in 1/2 to 3-1/2 (17 to 90mm) Bore Sizes
- Seal Options:
  - Flingers on SC/SCM (flingers are standard on E-Z KLEEN<sup>®</sup> nickel plated and Screw Conveyor Hanger Bearings)
  - Low friction labyrinth on SC/SCM
- Other Options:
  - Corrosion resistant inserts for SC/SCM, E-Z KLEEN and nickel plate
  - FDA/USDA lubricant and other special lubricants
  - High temperature SC/SCM designed for temperatures from 225° F to 400° F. Factory assembled to order.

For application assistance, contact DODGE Engineering

Phone 864-284-5700

Fax 864-281-2317

### DODGE End Covers

Available from stock to fit SC, SCM and VSC mounted units, these end covers are designed for added protection from contaminants as well as for OSHA requirements. Covers are OSHA yellow.



### Superior Locking Forces



The DODGE SC/SCM/VSC/SL line uses 65° design which offers an optimum balance between locking force and inner ring stress.



# FEATURES/BENEFITS



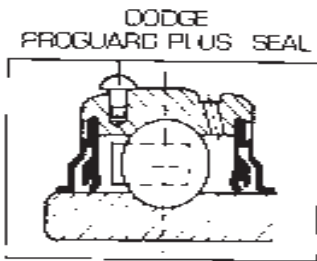
## Setscrew Ball Bearings

### The DODGE PROGUARD™ Seal



PROGUARD positive contact, low drag rubber seal

DODGE SC/SCM/SSC/SL mounted ball bearings use the field proven PROGUARD land-riding contact seal with steel shield protection. This highly effective positive seal design assures uniform lip contact with the inner ring to seal out contaminants and seal in lubricants.



On SC.SCM optional flingers can be added to form a tight labyrinth with the PROGUARD seal and provide additional seal protection against contaminants and trash.

### Stronger, More Flexible Cage



The ball cage is made of heat-stabilized nylon with 33% fill short fiberglass reinforcement for added strength. The nylon material provides a natural lubricity for longer life. Fiberglass reinforcement allows higher operating temperatures than plain nylon, yet it is more resistant to fatigue than metallic cages. Short fiberglass allows greater flexibility than steel or normal fiberglass, especially under misalignment. That means longer life in mounted bearings where some degree of misalignment is unavoidably encountered.

### Anti-Rotation Pin (SC.SCM)

An anti-rotation pin prevents rotation of the outer race within the housing. Simple and effective, it makes system inserts easier to replace. There is no need to remove and replace grease fittings, location pins or other devices.



Simplified Anti-rotation device

### DODGE E-Z KLEEN Ball Bearings

Available with Polymer and stainless steel housing, with corrosion resistant bearing inserts. These features make the SC ball bearing uniquely suited for the food, chemical and processing industries.



Bearing Quick Reference

E-Z KLEEN

GRIP TIGHT Adapter Ball Bearing

Set Screw Ball Bearing

Eccentric Collar Ball Bearing

# HOW TO ORDER/ NOMENCLATURE

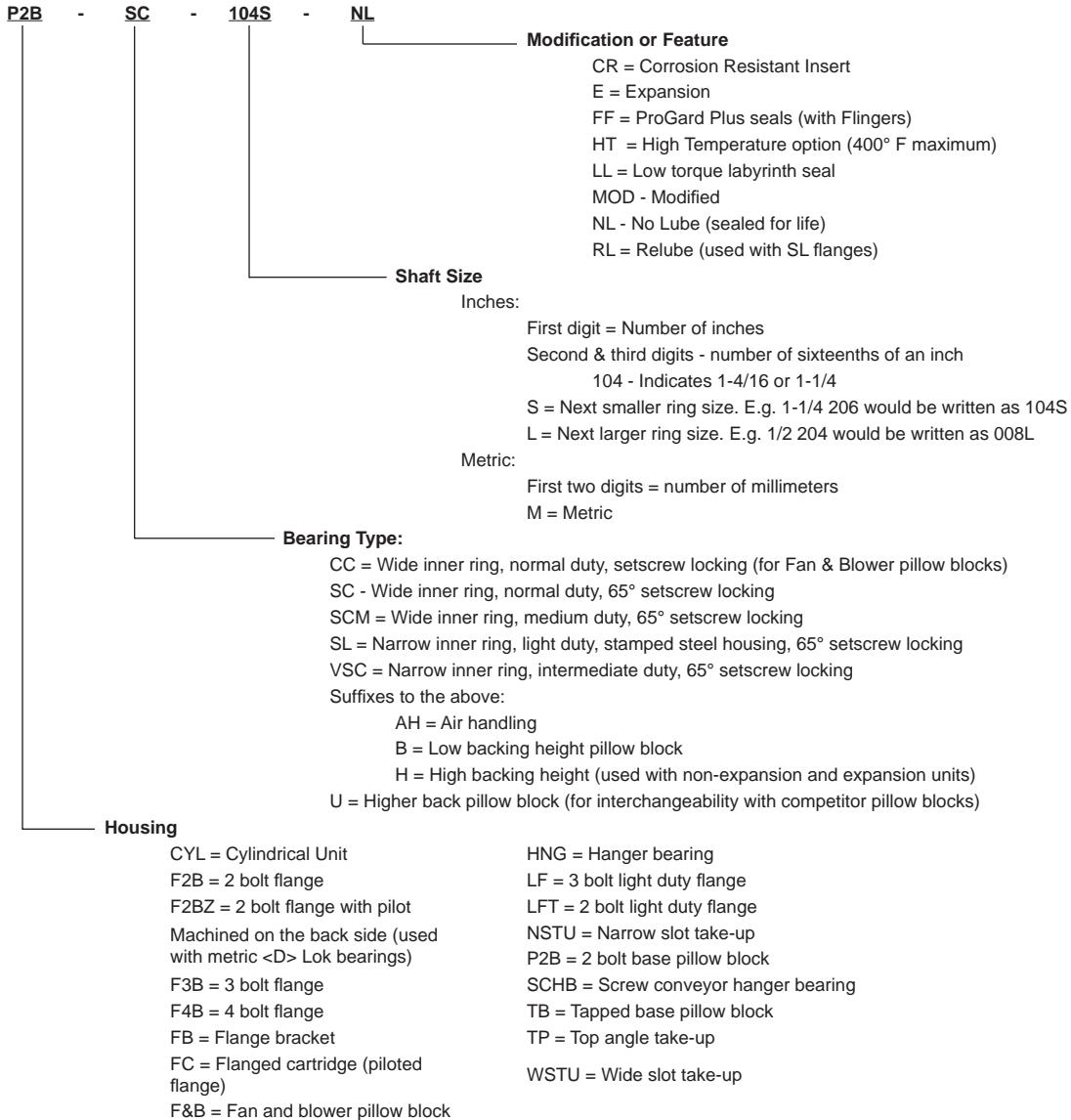


## Setscrew Ball Bearings

### HOW TO ORDER

There are two ways to specify DODGE Bearings. Most of the product offering have part numbers with listings shown throughout this catalog. Use of part numbers ensures accurate ordering processing.

When part numbers are not shown, the product may be specified by description or part name. This method is used when ordering units that include modifications or options. To order by description, use the nomenclature key shown below and add any special instructions to the end of the description for options not covered by the nomenclature.



FEATURES/BENEFITS PAGE B3-2	SELECTION PAGE B3-5	SELECTION/DIMENSIONS PAGE B3-10	ACCESSORIES PAGE B3-132
--------------------------------	------------------------	------------------------------------	----------------------------

# SELECTION



## Setscrew Ball Bearings

DODGE mounted ball bearings are primarily designed for radial loading. However, they have the capacity to carry thrust loads and combined radial/thrust loads. The maximum recommended load which can be applied is limited by various components in the system, such as bearing, housing, shaft attachments, speed and life requirements. DODGE mounted ball bearings have been applied successfully when these limits have been exceeded under controlled operating conditions. Contact DODGE Engineering for applications which exceed these recommendations.

Select a bearing from the Selection Chart that has a radial load rating at the operating speed equal to or greater than the calculated Equivalent Radial load for a desired  $L_{10}$  life. This simple method is all that is required for the majority of general applications and provides for occasional average shock loads.

**$L_{10}$  Hours Life**-is the life which may be expected for at least 90% of a given group of bearings operating under identical conditions.

For an  $L_{10}$  hours life other than those listed in the Selection Chart, multiply the equivalent Radial load by one of the following factors. For 50,000  $L_{10}$  hours life, use a factor of 1.18 and for 80,000, use 1.39. Then select a bearing from the bold face (30,000)  $L_{10}$  ratings only in the Selection Chart that has a rating equal to or greater than this value.

**Heavy Service**-For heavy shock loads, frequent shock loads or severe vibrations, add up to 50% (according to severity of conditions) to the Equivalent Radial Load to obtain a Modified Equivalent Radial Load. Consult Application Engineering for additional selection assistance.

A thrust load value of  $C/10$  is recommended as a guide for general applications and will give adequate  $L_{10}$  life. Where substantial radial load pulls the housing away from the mounting base, both the hold-down bolts and housing must be of adequate strength. Auxiliary load carrying devices, such as shear bars, are advisable for side or end-loading of pillow blocks and radial loads for flange units.

To determine the  $L_{10}$  hours life for loads and RPM's not listed use the following equation:

$$L_{10} = \left(\frac{C}{P}\right)^3 \times \frac{16667}{\text{RPM}}$$

Where:

$L_{10}$  = Life, hours

C = Dynamic Capacity, lbs. or N

P = Equivalent Radial Load, lbs. or N

When the load on a ball bearing is solely a radial load with no thrust (axial) load, the Equivalent Radial Load (P) is equal to the actual radial load. However, when a thrust (axial) load is applied, the radial and thrust loads applied must be converted into an Equivalent Radial Load. The use of the X (radial factor) and Y (thrust factor) from Table 1 convert the actual applied thrust and radial loads to an Equivalent Radial Load which has the same effect on the life of a bearing as a radial load of this magnitude.

$$P = (X \times F_R) + (Y \times F_A)$$

Where:

P = Equivalent Radial Load, lbs.

$F_R$  = Radial load, lbs.

$F_A$  = Thrust load, lbs.

e = Thrust load to radial load factor (Table 1)

X = Radial load factor (Table 1)

Y = Thrust factor (Table 1)

$C_0$  = Basic static capacity

To find X and Y, first calculate  $F_A/C_0$  to determine e. Calculate  $F_A/F_R$  and compare to e to determine the X and Y factors to use from Table 1.

Substitute all known values into the Equivalent Radial Load equation. The Equivalent Radial loads (P) thus determined can be used in the  $L_{10}$  life formula or compared to the allowable Equivalent Radial Load rating desired in the expanded rating chart to select a bearing (Table 2).

If calculated value of P is less than  $F_R$ , use  $P=F_R$ .

$F_A$ $C_0$	e	Radial/Thrust Factors			
		If $F_A/F_R$ is equal to or less than e		If $F_A/F_R$ is greater than e	
		$F_A/F_R \leq e$		$F_A/F_R > e$	
		X	Y	X	Y
.014	.19	1	0	0.56	2.30
.021	.21	1	0	0.56	2.15
.028	.22	1	0	0.56	1.99
.042	.24	1	0	0.56	1.85
.056	.26	1	0	0.56	1.71
.070	.27	1	0	0.56	1.63
.084	.28	1	0	0.56	1.55
.110	.30	1	0	0.56	1.45
.170	.34	1	0	0.56	1.31
.280	.38	1	0	0.56	1.15
.420	.42	1	0	0.56	1.04
.560	.44	1	0	0.56	1.00

**Lubrication**-DODGE Ball Bearings are lubricated at the factory and are ready to run. The bearings are initially lubricated with lithium complex based grease and should be relubricated with the same or some equivalent. For high speeds, high loads, extreme temperatures and other abnormal operating conditions, special greases may be required. Contact DODGE Application Engineering for recommendations on these types of applications.

**Misalignment**-DODGE Ball Bearings are designed to allow a maximum of +25 static misalignment. These bearings are not suitable for dynamic misalignment. To ensure good alignment, mounting surfaces must be checked for flatness and must lie in the same plane. When tightening base bolts, each bolt should be alternately tightened in incremental torque values until full torque is achieved to prevent the angular shifting of the pillow block that occurs when one bolt is tightened to its full torque. Shimming may be required to minimize misalignment.

### Shaft Tolerances

Normal Shaft Size Inches	Commercial Shaft Tolerances Inches	Recommended Shaft Tolerances Setscrew Ball Bearings Inches
Up to 1-1/2"	+0.000 -0.002	+0.0000 -0.0005
Over 1-1/2" to 2-1/2"	+0.000 -0.003	+0.0000 -0.0010
Over 2-1/2" to 4"	+0.000 -0.004	+0.0000 -0.0010

FEATURES/BENEFITS PAGE B3-2	NOMENCLATURE PAGE B3-4	SELECTION/DIMENSION PAGE B3-10	RELATED PRODUCTS PAGE B3-133
--------------------------------	---------------------------	-----------------------------------	---------------------------------

# SELECTION



## Setscrew Ball Bearings - Inch

Table 2: Easy Selection Table For Ball Bearing Mounted Units

RING SIZE	SHAFT SIZE		DYNAMIC CAPACITY C. Lbs.	STATIC CAPACITY Co. Lbs.	L10 LIFE HOURS	ALLOWABLE EQUIVALENT RADIAL LOAD RATING (LBS.) AT VARIOUS RPM*								
	SC, VSC, SL, CC	SCM				50	150	250	500	750	1000	1500	1750	2000
203	1/2 5/8		2158	1000	20000	550	380	320	255	225	205	175	170	160
					30000	480	335	280	225	195	175	155	145	140
					40000	440	305	255	205	175	160	140	135	130
					60000	380	265	225	175	155	140	125	115	110
					100000	320	225	190	150	130	120	105	100	95
204	1/2 5/8 3/4 13/16		2899	1390	20000	740	515	435	345	300	275	240	225	215
					30000	645	450	380	300	260	240	210	200	190
					40000	590	410	345	275	240	215	190	180	170
					60000	515	355	300	240	210	190	165	155	150
					100000	435	300	255	200	175	160	140	130	125
205	7/8 15/16 1		3146	1565	20000	805	560	470	375	325	295	260	245	235
					30000	705	485	410	325	285	260	225	215	205
					40000	640	445	375	295	260	235	205	195	185
					60000	560	385	325	260	225	205	180	170	165
					100000	470	325	275	220	190	175	150	145	135
206	1-1/16 1-1/8 1-3/16 1-1/4	1	4368	2250	20000	1115	775	655	520	455	410	360	340	325
					30000	975	675	570	455	395	360	315	300	285
					40000	885	615	520	410	360	325	285	270	260
					60000	775	535	455	360	315	285	250	235	225
					100000	655	455	380	305	265	240	210	200	190
207	1-1/4 1-5/16 1-3/8 1-7/16	1-3/16 1-1/4	5759	3065	20000	1475	1020	860	685	595	545	475	450	430
					30000	1285	890	755	595	520	475	415	395	375
					40000	1170	810	685	545	475	430	375	355	340
					60000	1020	710	595	475	415	375	330	310	300
					100000	860	595	505	400	350	315	275	265	250
208	1-1/2 1-5/8	1-7/16 1-1/2**	7332	4005	20000	1875	1300	1095	870	760	690	605	575	550
					30000	1640	1135	960	760	665	605	525	500	480
					40000	1490	1030	870	690	605	550	480	455	435
					60000	1300	900	760	605	525	480	420	400	380
					100000	1095	760	640	510	445	405	355	335	320
209	1-5/8 1-11/16 1-3/4	1-1/2	7891	4450	20000	2020	1400	1180	935	820	745	650	615	590
					30000	1765	1225	1030	820	715	650	570	540	515
					40000	1600	1110	935	745	650	590	515	490	470
					60000	1400	970	820	650	570	515	450	430	410
					100000	1180	820	690	550	480	435	380	360	345
210	1-15/16 2	1-11/16 1-3/4	7891	4450	20000	2020	1400	1180	935	820	745	650	615	590
					30000	1765	1225	1030	820	715	650	570	540	515
					40000	1600	1110	935	745	650	590	515	490	470
					60000	1400	970	820	650	570	515	450	430	410
					100000	1180	820	690	550	480	435	380	360	345
211	2 2-3/16 2-1/4	1-15/16 2	9755	5630	20000	2491	1727	1457	1156	1010	918	802	761	729
					30000	2176	1509	1272	1010	882	802	700	665	636
					40000	1977	1371	1156	918	802	728	636	604	578
					60000	1727	1197	1010	802	700	636	556	528	505
					100000	1457	1010	852	676	591	537	469	445	426
212	2-1/4 2-7/16	2-3/16 2-1/4	11791	6955	20000	3015	2090	1765	1400	1225	1110	970	925	880
					30000	2635	1825	1540	1225	1070	970	880	805	770
					40000	2395	1660	1400	1110	970	880	770	730	700
					60000	2090	1450	1225	970	850	770	675	640	610
					100000	1765	1225	1030	820	715	650	570	540	515
214	2 11/16	2-7/16 2-1/2	13995	8410	20000	3580	2480	2095	1660	1450	1320	1155	1095	1045
					30000	3125	2170	1830	1450	1270	1155	1005	955	915
					40000	2840	1970	1660	1320	1155	1045	915	870	830
					60000	2480	1720	1450	1155	1005	915	800	760	725
					100000	2095	1450	1225	970	850	770	675	640	615
215	2-15/16	2-11/16	14872	9255	20000	3805	2640	2225	1765	1545	1400	1225	1165	1115
					30000	3325	2305	1945	1545	1350	1225	1070	1015	975
					40000	3020	2095	1765	1400	1225	1115	975	925	885
					60000	2640	1830	1545	1225	1070	975	850	805	770
					100000	2225	1545	1300	1035	905	820	715	680	650
216	2-15/16 3		17407	11015	20000	4450	3085	2605	2065	1805	1640	1435	1360	1300
					30000	3890	2695	2275	1805	1580	1435	1250	1190	1140
					40000	3535	2450	2065	1640	1435	1300	1140	1080	1035
					60000	3085	2140	1805	1435	1250	1140	995	945	905
					100000	2605	1805	1525	1210	1055	960	840	795	760
218	3-7/16 3-1/2		21451	13940	20000	5485	3805	3210	2550	2225	2025	1765	1680	1605
					30000	4795	3325	2805	2225	1945	1765	1545	1465	1405
					40000	4355	3020	2550	2025	1765	1605	1405	1335	1276
					60000	3805	2640	2225	1765	1545	1405	1225	1165	1115
					100000	3210	2225	1880	1490	1300	1185	1035	980	940

\* Slight interference fit required when operating on the right of the heavy line or in the shaded area \*\* Piloted flange only

FEATURES/BENEFITS PAGE B3-2	NOMENCLATURE PAGE B3-4	SELECTION/DIMENSION PAGE B3-10	RELATED PRODUCTS PAGE B3-133
--------------------------------	---------------------------	-----------------------------------	---------------------------------

# SELECTION



## Setscrew Ball Bearings - Inch

Table 2 (continued): Easy Selection Table for Ball Bearing Mounted Units

RING SIZE	SHAFT SIZE		DYNAMIC CAPACITY C. Lbs.	STATIC CAPACITY Co. Lbs.	L10 LIFE HOURS	ALLOWABLE EQUIVALENT RADIAL LOAD RATING (LBS.) AT VARIOUS RPM*								
	SC, VSC, SL, CC	SCM				2500	3000	3500	4000	4500	5000	5500	6500	7500
203	1/2 5/8		2158	1000	20000	150	140	135	130	125	120	115	110	105
					30000	130	125	115	110	105	105	100	95	90
					40000	120	110	105	100	95	95	90	85	80
					60000	105	95	95	90	85	80	80	75	70
					100000	85	80	80	75	70	70	65	65	60
204	1/2 5/8 3/4 13/16		2899	1390	20000	200	190	180	170	165	160	155	145	140
					30000	175	165	155	150	145	140	135	135	130
					40000	160	150	145	135	130	125	125	115	110
					60000	140	130	125	120	115	110	105	100	95
					100000	115	110	105	100	90	95	90	85	80
205	7/8 15/16 1		3146	1565	20000	220	205	195	185	180	175	170	160	150
					30000	190	180	170	165	155	150	145	140	130
					40000	175	165	155	150	140	135	135	125	120
					60000	150	140	135	130	125	120	115	110	105
					100000	125	120	115	110	105	100	100	95	90
206	1-1/16 1-1/8 1-3/16 1-1/4	1	4368	2250	20000	305	285	270	260	250	240	235	200	
					30000	265	250	235	225	220	210	205	195	
					40000	240	225	215	205	200	190	185	175	
					60000	210	200	190	180	175	165	160	155	
					100000	175	165	160	150	145	140	135	130	
207	1-1/4 1-5/16 1-3/8 1-7/16	1-3/16 1-1/4	5759	3065	20000	400	375	355	340	330	315	305		
					30000	350	330	310	300	285	275	270		
					40000	315	300	285	270	260	250	245		
					60000	275	260	250	235	230	220	225		
					100000	235	220	210	200	190	185	180		
208	1-1/2 1-5/8	1-7/16 1-1/2**	7332	4005	20000	510	480	455	435	420	405			
					30000	445	420	400	380	365	355			
					40000	405	380	360	345	330	320			
					60000	355	330	315	300	290	280			
					100000	300	280	265	255	245	235			
209	1-5/8 1-11/16 1-3/4	1-1/2	7891	4450	20000	550	515	490	470	450	435			
					30000	480	450	430	410	395	380			
					40000	435	410	390	370	360	345			
					60000	380	360	340	325	310	300			
					100000	320	300	285	275	265	255			
210	1-15/16 2	1-11/16 1-3/4	7891	4450	20000	550	515	490	470	450				
					30000	480	450	430	410	395				
					40000	435	410	390	370	360				
					60000	380	360	340	325	310				
					100000	320	300	285	275	265				
211	2 2-3/16 2-1/4	1-15/16 2	9755	5630	20000	676	636	604	578					
					30000	591	556	528	505					
					40000	537	505	480	459					
					60000	469	441	419	401					
					100000	395	372	353	338					
212	2-1/4 2-7/16	2-3/16 2-1/4	11791	6955	20000	820	770	730						
					30000	715	675	640						
					40000	650	610	580						
					60000	570	535	510						
					100000	480	450	430						
214	2 11/16	2-7/16 2-1/2	13995	8410	20000	970	915							
					30000	850	800							
					40000	770	725							
					60000	675	635							
					100000	570	535							
215	2-15/16	2-11/16	14872	9255	20000	1035	975							
					30000	905	850							
					40000	820	770							
					60000	715	675							
					100000	605	570							
216		2-15/16 3	17407	11015	20000	1210								
					30000	1055								
					40000	960								
					60000	840								
					100000	705								
218		3-7/16 3-1/2	21451	13940	20000									
					30000									
					40000									
					60000									
					100000									

\* Slight interference fit required when operating on the right of the heavy line or in the shaded area \*\* Piloted flange only

FEATURES/BENEFITS PAGE B3-2	NOMENCLATURE PAGE B3-4	SELECTION/DIMENSION PAGE B3-10	RELATED PRODUCTS PAGE B3-133
--------------------------------	---------------------------	-----------------------------------	---------------------------------

# SELECTION



## Setscrew Ball Bearings - Metric

Table 2 (continued): Easy Selection Table for Ball Bearing Mounted Units

RING SIZE	SHAFT SIZE		DYNAMIC CAPACITY C, N.	STATIC CAPACITY Co, N.	L10 LIFE HOURS	ALLOWABLE EQUIVALENT RADIAL LOAD RATING (N.) AT VARIOUS RPM*									
	SC, VSC, SL, CC	SCM				50	150	250	500	750	1000	1500	1750	2000	
203	17mm		9600	4450	20000	2446	1690	1423	1134	1001	912	778	756	712	
					30000	2135	1490	1245	1001	867	778	689	645	623	
					40000	1957	1357	1134	912	778	712	623	600	578	
					60000	1690	1179	1001	778	689	623	556	512	489	
					100000	1423	1001	845	667	578	534	467	445	423	
204	20mm		12895	6185	20000	3292	2291	1935	1535	1334	1223	1068	1001	956	
					30000	2869	2002	1690	1334	1156	1068	934	890	845	
					40000	2624	1824	1535	1223	1068	956	845	801	756	
					60000	2291	1579	1334	1068	934	845	734	689	667	
					100000	1935	1334	1134	890	778	712	623	578	556	
205	25mm		13995	6964	20000	3581	2491	2091	1668	1446	1312	1156	1090	1045	
					30000	3136	2157	1824	1446	1268	1156	1001	956	912	
					40000	2847	1979	1668	1312	1156	1045	912	867	823	
					60000	2491	1712	1446	1156	1001	912	801	756	734	
					100000	2091	1446	1223	979	845	778	667	645	600	
206	30mm	25mm	18993	10013	20000	4960	3447	2913	2313	2024	1824	1601	1512	1446	
					30000	4337	3002	2535	2024	1757	1601	1401	1334	1268	
					40000	3936	2736	2313	1824	1601	1446	1268	1201	1156	
					60000	3447	2380	2024	1601	1401	1268	1112	1045	1001	
					100000	2913	2024	1690	1357	1179	1068	934	890	845	
207	35mm	30mm	25628	13639	20000	6561	4537	3825	3047	2647	2424	2113	2002	1913	
					30000	5716	3959	3358	2674	2313	2113	1846	1757	1668	
					40000	5204	3603	3047	2424	2113	1913	1668	1579	1512	
					60000	4537	3158	2647	2113	1846	1669	1468	1379	1334	
					100000	3825	2647	2246	1779	1557	1401	1223	1179	1112	
208	40mm	35mm	32627	17822	20000	8340	5782	4871	3870	3380	3069	2691	2558	2446	
					30000	7295	5048	4270	3380	2958	2691	2335	2224	2135	
					40000	6628	4581	3870	3069	2691	2446	2135	2024	1935	
					60000	5782	4003	3380	2691	2335	2135	1868	1779	1690	
					100000	4871	3380	2847	2268	1979	1801	1579	1490	1423	
209	45mm	40mm	35115	19803	20000	8985	6227	5249	4159	3647	3314	2891	2736	2624	
					30000	7851	5449	4581	3649	3180	2891	2535	2402	2291	
					40000	7117	4937	4159	3314	2891	2624	2291	2180	2091	
					60000	6227	4315	3647	2891	2535	2291	2002	1913	1824	
					100000	5249	3647	3069	2446	2135	1935	1690	1601	1535	
210	50mm	45mm	35115	19803	20000	8985	6227	5249	4159	3647	3314	2891	2736	2624	
					30000	7851	5449	4581	3647	3180	2891	2535	2402	2291	
					40000	7117	4937	4159	3314	2891	2624	2291	2180	2091	
					60000	6227	4315	3647	2891	2535	2291	2002	1913	1824	
					100000	5249	3647	3069	2446	2135	1935	1690	1601	1535	
211	55mm	50mm	43394	25054	20000	11079	7682	6479	5142	4492	4082	3566	3387	3241	
					30000	9678	6711	5660	4492	3924	3566	3115	2959	2831	
					40000	8793	6097	5142	4082	3566	3240	2830	2688	2572	
					60000	7682	5326	4492	3566	3115	2830	2472	2348	2247	
					100000	6479	4492	3789	3007	2627	2387	2085	1981	1895	
212	60mm	55mm	52470	30950	20000	13411	9296	7851	6227	5449	4937	4315	4114	3914	
					30000	11720	8118	6850	5449	4759	4315	3914	3581	3425	
					40000	10653	7384	6227	4937	4315	3914	3425	3247	3114	
					60000	9296	6450	5449	4315	3781	3425	3002	2847	2713	
					100000	7851	5449	4581	3647	3180	2891	2535	2402	2291	
214	70mm	65mm	62278	37425	20000	15924	11031	9319	7384	6450	5871	5137	4871	4648	
					30000	13900	9672	8140	6450	5649	5137	4470	4248	4070	
					40000	12632	8763	7384	5871	5137	4648	4070	3870	3692	
					60000	11031	7651	6450	5137	4470	4070	3558	3380	3225	
					100000	9319	6450	5449	4315	3781	3425	3002	2847	2736	
215	75mm	70mm	66180	41185	20000	16925	11743	9897	7851	6872	6227	5449	5182	4960	
					30000	14790	10253	8651	6872	6005	5449	4759	4515	4337	
					40000	13433	9319	7851	6227	5449	4960	4337	4114	3936	
					60000	11743	8140	6872	5449	4759	4337	3781	3581	3425	
					100000	9897	6872	5782	4604	4025	3647	3180	3025	2891	
216	75mm		77426	49155	20000	19794	13722	11587	9185	8029	7295	6383	6049	5782	
					30000	17303	11987	10119	8029	7028	6383	5560	5293	5071	
					40000	15724	10898	9185	7295	6383	5782	5071	4804	4604	
					60000	13722	9519	8029	6393	5560	5071	4426	4203	4025	
					100000	11587	8029	6783	5382	4693	4270	3736	3536	3380	
218	85mm		95371	62005	20000	24397	16925	14278	11342	9897	9007	7851	7473	7139	
					30000	21328	14790	12477	9897	8651	7851	6872	6516	6249	
					40000	19371	13433	11342	9007	7851	7139	6249	5938	5676	
					60000	16925	11743	9897	7851	6872	6249	5449	5182	4960	
					100000	14278	9897	8362	6628	5782	5271	4604	4359	4181	

\* Slight interference fit required when operating on the right of the heavy line or in the shaded area

FEATURES/BENEFITS PAGE B3-2	NOMENCLATURE PAGE B3-4	SELECTION/DIMENSION PAGE B3-10	RELATED PRODUCTS PAGE B3-133
--------------------------------	---------------------------	-----------------------------------	---------------------------------



# SELECTION



## Setscrew Ball Bearings - Metric

Table 2 (continued): Easy Selection Table for Ball Bearing Mounted Units

RING SIZE	SHAFT SIZE		DYNAMIC CAPACITY C. N.	STATIC CAPACITY Co. N.	L10 LIFE HOURS	ALLOWABLE EQUIVALENT RADIAL LOAD RATING (N.) AT VARIOUS RPM*									
	SC, VSC, SL, C	SCM				2500	3000	3500	4000	4500	5000	5500	6500	7500	
203	17mm		9600	4450	20000	667	623	600	578	556	534	512	489	467	
					30000	578	556	512	489	467	445	423	400		
					40000	534	489	467	445	423	400	378	356		
					60000	467	423	423	400	378	356	334	311		
					100000	378	356	356	334	311	311	289	267		
204	20mm		12895	6185	20000	890	845	801	756	734	712	689	645	623	
					30000	778	724	689	667	645	623	600	578	534	
					40000	712	667	645	600	578	556	512	489		
					60000	623	578	556	534	512	489	467	445	423	
					100000	512	489	467	445	400	423	400	378	356	
205	25mm		13995	6964	20000	979	912	867	823	801	778	756	712	667	
					30000	845	801	756	734	689	667	645	623	578	
					40000	778	734	689	667	623	600	600	556	534	
					60000	667	623	600	578	556	534	512	489	467	
					100000	556	534	512	489	467	445	445	423	400	
206	30mm	25mm	18993	10013	20000	1357	1268	1201	1156	1112	1068	1045	979		
					30000	1179	1112	1045	1001	979	934	912	867		
					40000	1068	1001	958	912	890	845	823	778		
					60000	934	890	845	801	778	734	712	689		
					100000	778	734	712	667	645	623	600	578		
207	35mm	30mm	25628	13639	20000	1779	1668	1579	1512	1468	1401	1357			
					30000	1557	1468	1379	1134	1268	1223	1201			
					40000	1401	1334	1268	1201	1156	1112	1090			
					60000	1223	1156	1112	1045	1023	979	956			
					100000	1045	979	934	890	845	823	801			
208	40mm	35mm	32627	17822	20000	2268	2135	2024	1935	1868	1801				
					30000	1979	1868	1779	1690	1624	1579				
					40000	1801	1690	1601	1535	1468	1423				
					60000	1576	1468	1401	1334	1290	1245				
					100000	1334	1245	1179	1134	1090	1045				
209	45mm	40mm	35115	19803	20000	2446	2291	2180	2091	2002	1935				
					30000	2135	2002	1913	1824	1757	1690				
					40000	1935	1824	1735	1646	1601	1535				
					60000	1690	1601	1512	1446	1379	1334				
					100000	1423	1334	1268	1223	1179	1134				
210	50mm	45mm	35115	19803	20000	2446	2291	2180	2091	2002					
					30000	2135	2002	1913	1824	1757					
					40000	1935	1824	1735	1646	1601					
					60000	1690	1601	1512	1446	1379					
					100000	1423	1334	1268	1223	1179					
211	55mm	50mm	43394	25054	20000	3007	2830	2688	2571						
					30000	2627	2472	2348	2246						
					40000	2387	2246	2134	2041						
					60000	2085	1962	1864	1783						
					100000	1759	1655	1572	1504						
212	60mm	55mm	52470	30950	20000	3647	3425	3247							
					30000	3180	3002	2847							
					40000	2891	2713	2580							
					60000	2535	2380	2268							
					100000	2135	2002	1913							
214	70mm	65mm	62278	37425	20000	4315	4070								
					30000	3781	3558								
					40000	3425	3225								
					60000	3002	2824								
					100000	2535	2380								
215	75mm	70mm	66180	41185	20000	4604	4337								
					30000	4025	3781								
					40000	3647	3425								
					60000	3180	3002								
					100000	2691	2535								
216		75mm	77426	49155	20000	5382									
					30000	4693									
					40000	4270									
					60000	3736									
					100000	3136									
218		85mm	95371	62005	20000										
					30000										
					40000										
					60000										
					100000										

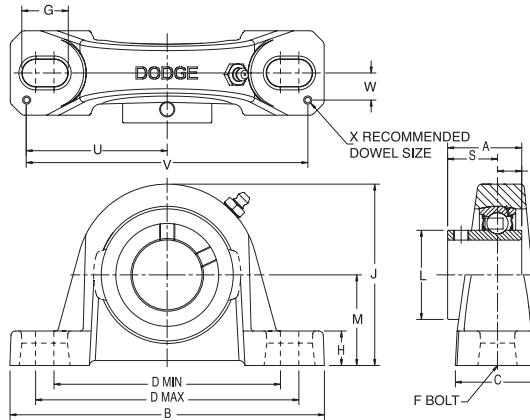
\* Slight interference fit required when operating on the right of the heavy line or in the shaded area

FEATURES/BENEFITS PAGE B3-2	NOMENCLATURE PAGE B3-4	SELECTION/DIMENSION PAGE B3-10	RELATED PRODUCTS PAGE B3-133
--------------------------------	---------------------------	-----------------------------------	---------------------------------

# SELECTION/DIMENSIONS



## Setscrew Ball Bearings SC AND SCU NORMAL DUTY PILLOW BLOCKS



### Lube Fitting

203 series - 1/4-28 tapered thread  
204 series and larger - 1/8-27 NPT

Series	Shaft Size	Standard		No-Lube/Sealed for Life (-NL)		With Flingers	
		Part No.	Description	Part No.	Description	Part No.	Description
203	1/2	<b>123830</b>	P2B-SC-008	<b>123932</b>	P2B-SC-008-NL	@	P2B-SC-008-FF
	5/8	<b>123831</b>	P2B-SC-010	<b>126500</b>	P2B-SC-010-NL	<b>124575</b>	P2B-SC-010-FF
	17mm	<b>053170</b>	P2B-SC-17M	@	P2B-SC-17M-NL	@	P2B-SC-17M-FF
203 (SCU)	1/2	<b>123753</b>	P2B-SCU-008	@	P2B-SCU-008-NL	@	P2B-SCU-008-FF
	5/8	<b>123754</b>	P2B-SCU-010	@	P2B-SCU-010-NL	@	P2B-SCU-010-FF
	17mm	<b>125850</b>	P2B-SCU-17M	@	P2B-SCU-17M-NL	@	P2B-SCU-17M-FF
204	1/2	<b>123835</b>	P2B-SC-008L	<b>052101</b>	P2B-SC-008L-NL	@	P2B-SC-008L-FF
	5/8	<b>123836</b>	P2B-SC-010L	@	P2B-SC-010L-NL	@	P2B-SC-010L-FF
	3/4	<b>123803</b>	P2B-SC-012	<b>052012</b>	P2B-SC-012-NL	<b>053256</b>	P2B-SC-012-FF
	20mm	<b>125851</b>	P2B-SC-20M	<b>068372</b>	P2B-SC-20M-NL	@	P2B-SC-20M-FF
205	7/8	<b>123804</b>	P2B-SC-014	<b>126502</b>	P2B-SC-014-NL	@	P2B-SC-014-FF
	15/16	<b>123805</b>	P2B-SC-015	<b>126503</b>	P2B-SC-015-NL	<b>124029</b>	P2B-SC-015-FF
	1	<b>123806</b>	P2B-SC-100	<b>123824</b>	P2B-SC-100-NL	<b>123779</b>	P2B-SC-100-FF
	25mm	<b>125852</b>	P2B-SC-25M	<b>056744</b>	P2B-SC-25M-NL	@	P2B-SC-25M-FF
206	1-1/16	<b>123807</b>	P2B-SC-101	<b>126504</b>	P2B-SC-101-NL	@	P2B-SC-101-FF
	1-1/8	<b>123808</b>	P2B-SC-102	<b>126505</b>	P2B-SC-102-NL	<b>125383</b>	P2B-SC-102-FF
	1-3/16	<b>123809</b>	P2B-SC-103	<b>123828</b>	P2B-SC-103-NL	<b>050270</b>	P2B-SC-103-FF
	1-1/4	<b>123170</b>	P2B-SC-104S	<b>049852</b>	P2B-SC-104S-NL	@	P2B-SC-104S-FF
	30mm	<b>125853</b>	P2B-SC-30M	@	P2B-SC-30M-NL	<b>053198</b>	P2B-SC-30M-FF
206 (SCU)	1-1/16	<b>123877</b>	P2B-SCU-101	@	P2B-SCU-101-NL	@	P2B-SCU-101-FF
	1-1/8	<b>123878</b>	P2B-SCU-102	@	P2B-SCU-102-NL	@	P2B-SCU-102-FF
	1-3/16	<b>123879</b>	P2B-SCU-103	<b>050837</b>	P2B-SCU-103-NL	@	P2B-SCU-103-FF
	1-1/4	<b>123894</b>	P2B-SCU-104S	@	P2B-SCU-104S-NL	<b>067855</b>	P2B-SCU-104S-FF
	30mm	<b>125854</b>	P2B-SCU-30M	@	P2B-SCU-30M-NL	@	P2B-SCU-30M-FF
207	1-1/4	<b>123810</b>	P2B-SC-104	<b>123933</b>	P2B-SC-104-NL	<b>123097</b>	P2B-SC-104-FF
	1-5/16	<b>123811</b>	P2B-SC-105	@	P2B-SC-105-NL	@	P2B-SC-105-FF
	1-3/8	<b>123812</b>	P2B-SC-106	<b>123781</b>	P2B-SC-106-NL	<b>054695</b>	P2B-SC-106-FF
	1-7/16	<b>123813</b>	P2B-SC-107	<b>123792</b>	P2B-SC-107-NL	<b>051571</b>	P2B-SC-107-FF
	35mm	<b>125855</b>	P2B-SC-35M	@	P2B-SC-35M-NL	@	P2B-SC-35M-FF

@ Assembled to order.

FEATURES/BENEFITS PAGE B3-2	NOMENCLATURE PAGE B3-4	SELECTION PAGE B3-5	RELATED PRODUCTS PAGE B3-133
--------------------------------	---------------------------	------------------------	---------------------------------

# SELECTION/DIMENSIONS



## Setscrew Ball Bearings SC AND SCU NORMAL DUTY PILLOW BLOCKS

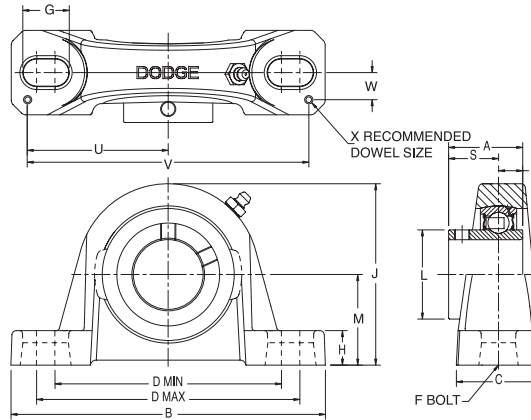
Series	Shaft Size	Weight lbs. kgs.	A	B	C	D		F Bolt Dia.	G	H	J	L	M	R	S	U	V	W	X
						Min.	Max.												
203	1/2	1.1	1	5	1-13/64	3-1/4	4-1/16	3/8	27/32	15/32	2-9/64	31/32	1-1/16	23/64	41/64	2-1/4	4-1/2	3/8	1/8
	5/8	1.0																	
	17mm	0.4	25.4	127.0	30.6	82.6	103.2	M10	21.4	11.9	54.4	24.6	27.0	9.1	16.3	57.2	114.3	9.5	3.2
203 (SCU)	1/2	1.2	1	5	1-13/64	3-1/4	4-1/16	3/8	27/32	19/32	2-17/64	31/32	1-3/16	23/64	41/64	2-1/4	4-1/2	3/8	1/8
	5/8	1.0																	
	17mm	0.4	25.4	127.0	30.6	82.6	103.2	M10	21.4	15.1	57.5	24.6	30.2	9.1	16.3	57.2	114.3	9.5	3.2
204	1/2	1.6	1-5/32	5-1/4	1-21/64	3-3/8	4-3/16	3/8	27/32	33/64	2-9/16	1-1/8	1-5/16	27/64	47/64	2-1/4	4-1/2	1/2	1/8
	5/8	1.5																	
	3/4	1.4																	
	20mm	0.7	29.4	133.4	33.7	85.7	106.4	M10	21.4	13.1	65.1	28.6	33.3	10.7	18.7	57.2	114.3	12.7	3.2
205	7/8	1.8	1-3/16	5-1/2	1-13/32	3-11/16	4-1/2	3/8	27/32	37/64	2-25/32	1-5/16	1-7/16	27/64	49/64	2-1/2	5	1/2	3/16
	15/16	1.7																	
	1 25mm	1.6 0.7	30.2	139.7	35.7	93.7	114.3	M10	21.4	14.7	70.6	33.3	36.5	10.7	19.4	63.5	127.0	12.7	4.8
206	1-1/16	2.8	1-25/64	6-1/4	1-47/64	4-1/4	5	1/2	15/16	11/16	3-1/4	1-37/64	1-5/8	31/64	29/32	2-7/8	5-3/4	9/16	3/16
	1-1/8	2.7																	
	1-3/16	2.6																	
	1-1/4 30mm	2.5 1.1	35.3	158.8	44.1	108.0	127.0	M12	23.8	17.5	82.6	40.1	41.3	12.3	23.0	73.0	146.1	14.3	4.8
206 (SCU)	1-1/16	2.9	1-25/64	6-1/4	1-47/64	4-1/4	5	1/2	15/16	3/4	3-5/16	1-37/64	1-11/16	31/64	29/32	2-7/8	5-3/4	9/16	3/16
	1-1/8	2.8																	
	1-3/16	2.7																	
	1-1/4 30mm	2.6 1.1	35.3	158.8	44.1	108.0	127.0	M12	23.8	19.1	84.1	40.1	42.9	12.3	23.0	73.0	146.1	14.3	4.8
207	1-1/4	4.5	1-17/32	6-1/2	1-47/64	4-11/16	5-7/16	1/2	15/16	45/64	3-3/4	1-27/32	1-7/8	1/2	1-1/32	2-29/32	5-13/16	9/16	3/16
	1-5/16	4.4																	
	1-3/8	4.3																	
	1-7/16	4.2																	
	35mm	1.5	38.9	165.1	44.1	119.1	138.1	M12	23.8	17.9	95.3	46.8	47.6	12.7	26.2	73.8	147.6	14.3	4.8

FEATURES/BENEFITS PAGE B3-2	NOMENCLATURE PAGE B3-4	SELECTION PAGE B3-5	RELATED PRODUCTS PAGE B3-133
--------------------------------	---------------------------	------------------------	---------------------------------

# SELECTION/DIMENSIONS



## Setscrew Ball Bearings SC AND SCU NORMAL DUTY PILLOW BLOCKS



### Lube Fitting

203 series - 1/4-28 tapered thread  
204 series and larger - 1/8-27 NPT

Series	Shaft Size	Standard		No-Lube/Sealed for Life (-NL)		With Flingers	
		Part No.	Description	Part No.	Description	Part No.	Description
208	1-1/2	<b>123814</b>	P2B-SC-108	<b>123829</b>	P2B-SC-108-NL	<b>125172</b>	P2B-SC-108-FF
	1-5/8	<b>123815</b>	P2B-SC-110	<b>126510</b>	P2B-SC-110-NL	<b>051996</b>	P2B-SC-110-FF
	40mm	<b>056855</b>	<i>P2B-SC-40M</i>	<b>067679</b>	<i>P2B-SC-40M-NL</i>	<b>053199</b>	<i>P2B-SC-40M-FF</i>
209	1-5/8	<b>125169</b>	P2B-SC-110L	@	P2B-SC-110L-NL	@	P2B-SC-110L-FF
	1-11/16	<b>123816</b>	P2B-SC-111	<b>123784</b>	P2B-SC-111-NL	<b>064657</b>	P2B-SC-111-FF
	1-3/4	<b>123817</b>	P2B-SC-112	<b>123782</b>	P2B-SC-112-NL	<b>051896</b>	P2B-SC-112-FF
	45mm	<b>125857</b>	<i>P2B-SC-45M</i>	<b>067925</b>	<i>P2B-SC-45M-NL</i>	<b>052259</b>	<i>P2B-SC-45M-FF</i>
210	1-15/16	<b>123818</b>	P2B-SC-115	<b>123793</b>	P2B-SC-115-NL	@	P2B-SC-115-FF
	2	<b>123819</b>	P2B-SC-200	<b>123939</b>	P2B-SC-200-NL	@	P2B-SC-200-FF
	50mm	<b>125858</b>	<i>P2B-SC-50M</i>	@	<i>P2B-SC-50M-NL</i>	@	<i>P2B-SC-50M-FF</i>
211	2	<b>126815</b>	P2B-SCM-200	<b>126547</b>	P2B-SCM-200-NL	<b>054561</b>	P2B-SCM-200-FF
	2-3/16	<b>123820</b>	P2B-SC-203	<b>123783</b>	P2B-SC-203-NL	<b>056759</b>	P2B-SC-203-FF
	2-1/4	<b>123821</b>	P2B-SC-204	<b>126513</b>	P2B-SC-204-NL	<b>057335</b>	P2B-SC-204-FF
	55mm	<b>125859</b>	<i>P2B-SC-55M</i>	@	<i>P2B-SC-55M-NL</i>	@	<i>P2B-SC-55M-FF</i>
212	2-1/4	<b>126817</b>	P2B-SCM-204	@	P2B-SCM-204-NL	@	P2B-SCM-204-FF
	2-7/16	<b>123822</b>	P2B-SC-207	<b>123987</b>	P2B-SC-207-NL	<b>054265</b>	P2B-SC-207-FF
	60mm	<b>125860</b>	<i>P2B-SC-60M</i>	<b>062162</b>	<i>P2B-SC-60M-NL</i>	@	<i>P2B-SC-60M-FF</i>
214	2-1/2	<b>126819</b>	P2B-SCM-208	@	P2B-SCM-208-NL	@	P2B-SCM-208-FF
	2-11/16	<b>123839</b>	P2B-SC-211	<b>068603</b>	P2B-SC-211-NL	@	P2B-SC-211-FF
	70mm	<b>125861</b>	<i>P2B-SC-70M</i>	<b>126548</b>	<i>P2B-SC-70M-NL</i>	<b>059677</b>	<i>P2B-SC-70M-FF</i>
215	2-15/16	<b>123823</b>	P2B-SC-215	<b>123636</b>	P2B-SC-215-NL	<b>049828</b>	P2B-SC-215-FF
	75mm	<b>125862</b>	<i>P2B-SC-75M</i>	@	<i>P2B-SC-75M-NL</i>	@	<i>P2B-SC-75M-FF</i>
215 (SCU)	2-15/16	<b>123728</b>	P2B-SCU-215	@	P2B-SCU-215-NL	<b>054264</b>	P2B-SCU-215-FF
	75mm	<b>052792</b>	<i>P2B-SCU-75M</i>	@	<i>P2B-SCU-75M-NL</i>	@	<i>P2B-SCU-75M-FF</i>
218	90mm	<b>052794</b>	<i>P2B-SC-90M</i>	@	<i>P2B-SC-90M-NL</i>	@	<i>P2B-SC-90M-FF</i>

@Assembled to order

FEATURES/BENEFITS PAGE B3-2	NOMENCLATURE PAGE B3-4	SELECTION PAGE B3-5	RELATED PRODUCTS PAGE B3-133
--------------------------------	---------------------------	------------------------	---------------------------------

# SELECTION/DIMENSIONS



## Setscrew Ball Bearings SC AND SCU NORMAL DUTY PILLOW BLOCKS

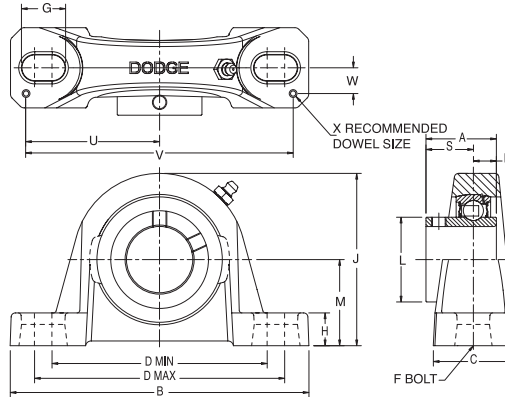
Series	Shaft Size	Weight lbs. kgs.	A	B	C	D		F Bolt Dia.	G	H	J	L	M	R	S	U	V	W	X	
						Min.	Max.													
208	1-1/2	5.4	1-11/16	7-1/4	1-15/16	5-3/16	5-7/8	1/2	29/32	15/16	4-3/16	2-3/64	2-1/8	19/32	1-3/32	3-17/64	6-17/32	11/16	3/16	
	1-5/8	5.3																		
	40mm	2.2	42.9	184.2	49.2	131.8	149.2	M12	23.0	23.8	106.4	52.0	54.0	15.1	27.8	82.9	165.9	17.5	4.8	
209	1-5/8	6.6	1-23/32	7-7/16	2	5-1/2	6-3/16	1/2	29/32	3/4	4-9/32	2-7/32	2-1/8	19/32	1-1/8	3-3/8	6-3/4	11/16	3/16	
	1-11/16	6.4																		
	1-3/4 45mm	2.2	43.7	188.9	50.8	139.7	161.9	M12	23.0	19.1	108.7	56.4	54.0	15.1	28.6	85.7	171.5	17.5	4.8	
210	1-15/16	7.2	1-3/4	8-1/8	2-1/4	6	6-11/16	5/8	1-1/16	3/4	4-17/32	2-7/16	2-1/4	19/32	1-5/32	3-11/16	7-3/8	13/16	3/16	
	2	7.0																		
	50mm	2.6	44.5	206.4	57.2	152.4	169.9	M16	27.0	19.1	115.1	61.9	57.2	15.1	29.4	93.7	187.3	20.6	4.8	
211	2	9.0	1-27/32	8-7/8	2-5/16	6-3/8	7-7/16	5/8	1-7/32	7/8	4-31/32	2-23/32	2-1/2	5/8	1-7/32	3-15/16	7-7/8	13/16	3/16	
	2-3/16	8.9																		
	2-1/4 55mm	3.3	46.8	225.4	58.7	161.9	188.9	M16	31.0	22.2	126.2	69.1	63.5	15.9	31.0	100.0	200.0	20.6	4.8	
212	2-1/4	10.8	1-63/64	9-1/2	2-3/8	6-7/8	7-15/16	5/8	1-7/32	7/8	5-13/32	2-31/32	2-3/4	43/64	1-5/16	4-1/4	8-1/2	7/8	3/16	
	2-7/16	10.2																		
	60mm	4.2	50.4	241.3	60.3	174.6	201.6	M16	31.0	22.2	137.3	75.4	69.9	17.1	33.3	108.0	215.9	22.2	4.8	
214	2-1/2	15.5	2-15/64	10-3/4	2-11/16	7-1/2	8-1/2	3/4	1-5/16	15/16	6-3/32	3-5/16	3	51/64	1-7/16	4-7/8	9-3/4	15/16	3/16	
	2-11/16	15.0																		
	70mm	6.9	56.8	273.1	68.3	190.5	215.9	M18	33.3	23.8	154.8	84.1	76.2	20.2	36.5	123.8	247.7	23.8	4.8	
215	2-15/16	20.5	2-9/32	11-3/4	2-7/8	8-1/2	9-1/2	7/8	1-7/16	1	6-3/4	3-5/8	3-1/2	13/16	1-15/32	5-31/64	10-31/32	1-3/64	3/16	
	75mm	7.9	57.9	298.5	73.0	215.9	241.3	M22	36.5	25.4	171.5	92.1	88.9	20.6	37.3	139.3	278.6	26.6	4.8	
215 (SCU)	2-15/16	20.7	2-9/32	11-3/4	2-7/8	8-1/2	9-1/2	7/8	1-7/16	1	6-1/2	3-5/8	3-1/4	13/16	1-15/32	5-31/64	10-31/32	1-3/64	3/16	
	75mm	8.0	57.9	298.5	73.0	215.9	241.3	M22	36.5	25.4	165.1	92.1	82.6	20.6	37.3	139.3	278.6	26.6	4.8	
218	90mm	13.6	63.1	355.6	85.7	261.9	295.3	M22	40.5	33.3	203.2	110.7	101.6	23.4	39.7	116.7	333.4	30.2	4.8	

FEATURES/BENEFITS PAGE B3-2	NOMENCLATURE PAGE B3-4	SELECTION PAGE B3-5	RELATED PRODUCTS PAGE B3-133
--------------------------------	---------------------------	------------------------	---------------------------------

# SELECTION/DIMENSIONS



## Setscrew Ball Bearings SCAH AND SCUAH AIR HANDLING NORMAL DUTY PILLOW BLOCKS



**Lube Fitting**  
 203 series - 1/4-28 tapered thread  
 204 series and larger - 1/8-27 NPT

Series	Shaft Size	Part No.	Description
203	1/2	<b>123725</b>	P2B-SCAH-008
	5/8	<b>123958</b>	P2B-SCAH-010
	17mm	@	P2B-SCAH-17M
203 (SCU)	1/2	@	P2B-SCUAH-008
	5/8	<b>067742</b>	P2B-SCUAH-010
	17mm	@	P2B-SCUAH-17M
204	1/2	@	P2B-SCAH-008L
	5/8	<b>123790</b>	P2B-SCAH-010L
	3/4	<b>123904</b>	P2B-SCAH-012
	20mm	<b>056606</b>	P2B-SCAH-20M
205	7/8	<b>064450</b>	P2B-SCAH-014
	15/16	<b>123903</b>	P2B-SCAH-015
	1	<b>123905</b>	P2B-SCAH-100
	25mm	<b>053718</b>	P2B-SCAH-25M
206	1-1/16	@	P2B-SCAH-101
	1-1/8	<b>123919</b>	P2B-SCAH-102
	1-3/16	<b>123906</b>	P2B-SCAH-103
	1-1/4	@	P2B-SCAH-104S
	30mm	<b>067652</b>	P2B-SCAH-30M
206 (SCU)	1-1/16	@	P2B-SCUAH-101
	1-1/8	@	P2B-SCUAH-102
	1-3/16	<b>123916</b>	P2B-SCUAH-103
	1-1/4	<b>123183</b>	P2B-SCUAH-104S
207	30mm	@	P2B-SCUAH-30M
	1-1/4	<b>123907</b>	P2B-SCAH-104
	1-5/16	@	P2B-SCAH-105
	1-3/8	<b>050792</b>	P2B-SCAH-106
	1-7/16	<b>123908</b>	P2B-SCAH-107
35mm	<b>053717</b>	P2B-SCAH-35M	

@ Assembled to order

FEATURES/BENEFITS PAGE B3-2	NOMENCLATURE PAGE B3-4	SELECTION PAGE B3-5	RELATED PRODUCTS PAGE B3-133
--------------------------------	---------------------------	------------------------	---------------------------------

# SELECTION/DIMENSIONS



## Setscrew Ball Bearings

### SCAH AND SCUAH AIR HANDLING NORMAL DUTY PILLOW BLOCKS

Series	Shaft Size	Weight lbs. kgs.	A	B	C	D		F Bolt Dia.	G	H	J	L	M	R	S	U	V	W	X
						min.	max.												
203	1/2	1.1	1	5	1-13/64	3-1/4	4-1/16	3/8	27/32	15/32	2-9/64	31/32	1-1/16	23/64	41/64	2-1/4	4-1/2	3/8	1/8
	5/8	1.0																	
	17mm	0.4																	
203 (SCU)	1/2	1.2	1	5	1-13/64	3-1/4	4-1/16	3/8	27/32	19/32	2-17/64	31/32	1-3/16	23/64	41/64	2-1/4	4-1/2	3/8	1/8
	5/8	1.0																	
	17mm	0.4																	
204	1/2	1.6	1-5/32	5-1/4	1-21/64	3-3/8	4-3/16	3/8	27/32	33/64	2-9/16	1-1/8	1-5/16	27/64	47/64	2-1/4	4-1/2	1/2	1/8
	5/8	1.5																	
	3/4	1.4																	
	20mm	0.7	29.4	133.4	33.7	85.7	106.4	M10	21.4	13.1	65.1	28.6	33.3	10.7	18.7	57.2	114.3	12.7	3.2
205	7/8	1.8	1-3/16	5-1/2	1-13/32	3-11/16	4-1/2	3/8	27/32	37/64	2-25/32	1-5/16	1-7/16	27/64	49/64	2-1/2	5	1/2	3/16
	15/16	1.7																	
	1	1.6																	
	25mm	0.7	30.2	139.7	35.7	93.7	114.3	M10	21.4	14.7	70.6	33.3	36.5	10.7	19.4	63.5	127.0	12.7	4.8
206	1-1/16	2.8	1-25/64	6-1/4	1-47/64	4-1/4	5	1/2	15/16	11/16	3-1/4	1-37/64	1-5/8	31/64	29/32	2-7/8	5-3/4	9/16	3/16
	1-1/8	2.7																	
	1-3/16	2.6																	
	1-1/4	2.5																	
	30mm	1.1	35.3	158.8	44.1	108.0	127.0	M12	23.8	17.5	82.6	40.1	41.3	12.3	23.0	73.0	146.1	14.3	4.8
206 (SCU)	1-1/16	2.9	1-25/64	6-1/4	1-47/64	4-1/4	5.00	1/2	15/16	3/4	3-5/16	1-37/64	1-11/16	31/64	29/32	2-7/8	5-3/4	9/16	3/16
	1-1/8	2.8																	
	1-3/16	2.7																	
	1-1/4	2.6																	
	30mm	1.1	35.3	158.8	44.1	108.0	127.0	M12	23.8	19.1	84.1	40.1	42.9	12.3	23.0	73.0	146.1	14.3	4.8
207	1-1/4	4.5	1-17/32	6-1/2	1-47/64	4-11/16	5-7/16	1/2	15/16	45/64	3-3/4	1-27/32	1-7/8	1/2	1-1/32	2-29/32	5-13/16	9/16	3/16
	1-5/16	4.4																	
	1-3/8	4.3																	
	1-7/16	4.2																	
	35mm	1.5	38.9	165.1	44.1	119.1	138.1	M12	23.8	17.9	95.3	46.8	47.6	12.7	26.2	73.8	147.6	14.3	4.8

FEATURES/BENEFITS PAGE B3-2	NOMENCLATURE PAGE B3-4	SELECTION PAGE B3-5	RELATED PRODUCTS PAGE B3-133
--------------------------------	---------------------------	------------------------	---------------------------------

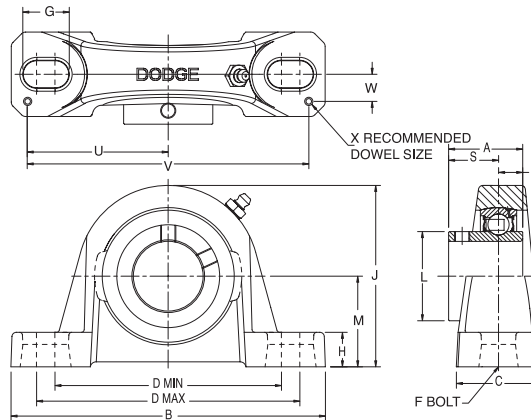
# SELECTION/DIMENSIONS



## Setscrew Ball Bearings SCAH AND SCUAH AIR HANDLING NORMAL DUTY PILLOW BLOCKS

### Lube Fitting

203 series - 1/4-28 tapered thread  
204 series and larger - 1/8-27 NPT



Series	Shaft Size	Part No.	Description
208	1-1/2	<b>123909</b>	P2B-SCAH-108
	1-5/8	<b>056750</b>	P2B-SCAH-110
	40mm	@	P2B-SCAH-40M
209	1-5/8	@	P2B-SCAH-110L
	1-11/16	<b>123910</b>	P2B-SCAH-111
	1-3/4	<b>123911</b>	P2B-SCAH-112
	45mm	<b>052413</b>	P2B-SCAH-45M
210	1-15/16	<b>123912</b>	P2B-SCAH-115
	2	@	P2B-SCAH-200
	50mm	<b>052414</b>	P2B-SCAH-50M
211	2	<b>126847</b>	P2B-SCMAH-200
	2-3/16	<b>123913</b>	P2B-SCAH-203
	2-1/4	@	P2B-SCAH-204
	55mm	@	P2B-SCAH-55M
212	2-1/4	@	P2B-SCMAH-204
	2-7/16	<b>123914</b>	P2B-SCAH-207
	60mm	<b>054009</b>	P2B-SCAH-60M
214	2-1/2	@	P2B-SCMAH-204
	2-11/16	<b>124872</b>	P2B-SCAH-211
	70mm	@	P2B-SCAH-70M
215	2-15/16	<b>123915</b>	P2B-SCAH-215
	75mm	@	P2B-SCAH-75M
215 (SCU)	2-15/16	@	P2B-SCUAH-215
	75mm	@	P2B-SCUAH-75M

@ Assembled to order

FEATURES/BENEFITS PAGE B3-2	NOMENCLATURE PAGE B3-4	SELECTION PAGE B3-5	RELATED PRODUCTS PAGE B3-133
--------------------------------	---------------------------	------------------------	---------------------------------



# SELECTION/DIMENSIONS



## Setscrew Ball Bearings

### SCAH AND SCUAH AIR HANDLING NORMAL DUTY PILLOW BLOCKS

Series	Shaft Size	Weight lbs kgs	A	B	C	D		F Bolt Dia.	G	H	J	L	M	R	S	U	V	W	X
						min.	max.												
208	1-1/2	5.4	1-11/16	7-1/4	1-15/16	5-3/16	5-7/8	1/2	29/32	15/16	4-3/16	2-3/64	2-1/8	19/32	1-3/32	3-17/64	6-17/32	11/16	3/16
	1-5/8	5.3																	
	40mm	2.2	42.9	184.2	49.2	131.8	149.2	M12	23.0	23.8	106.4	52.0	54.0	15.1	27.8	82.9	165.9	17.5	4.8
209	1-5/8	6.6	1-23/32	7-7/16	2	5-1/2	6-3/8	1-2	29/32	3/4	4-9/32	2-7/32	2-1/8	19/32	1-1/8	3-3/8	6-3/4	11/16	3/16
	1-11/16	6.4																	
	1-3/4	6.2																	
	45mm	2.2	43.7	188.9	50.8	139.7	160.9	M12	23.0	19.1	108.7	56.4	54.0	15.1	28.6	85.7	171.5	17.5	4.8
210	1-15/16	7.2	1-3/4	8-1/8	2-1/4	6	6-11/16	5/8	1-1/16	3/4	4-17/32	2-7/16	2-1/4	19/32	1-5/32	3-11/16	7-3/8	13/16	3/16
	2	7.0																	
	50mm	2.6	44.5	206.4	57.2	152.40	169.9	M16	27.0	19.1	115.1	61.9	57.2	15.1	29.4	93.7	187.3	20.6	4.8
211	2	9.0	1-27/32	8-7/8	2-5/16	6-3/8	7-7/16	5/8	1-7/32	7/8	4-31/32	2-23/32	2-1/2	5/8	1-7/32	3-15/16	7-7/8	13/16	3/16
	2-3/16	8.9																	
	2-1/4	8.8																	
	55mm	3.3	46.8	225.4	58.7	161.9	188.9	M16	31.0	22.2	126.2	69.1	63.5	15.9	31.0	100.0	200.0	20.6	4.8
212	2-1/4	10.8	1-63/64	9-1/2	2-3/8	6-7/8	7-15/16	5/8	1-7/32	7/8	5-13/32	2-31/32	2-3/4	43/64	1-5/16	4-1/4	8-1/2	7/8	3/16
	2-7/16	10.2																	
	60mm	4.2	50.4	241.3	60.3	174.6	201.6	M16	31.0	22.2	137.3	75.4	69.9	17.1	33.3	108.0	215.9	22.2	4.8
214	2-1/2	15.5	2-15/64	10-3/4	2-11/16	7-1/2	8-1/2	3/4	1-5/16	15/16	6-3/32	3-5/16	3	51/64	1-7/16	4-7/8	9-3/4	15/16	3/16
	2-11/16	15.0																	
	70mm	6.9	56.8	273.1	68.3	190.5	215.9	M18	33.3	23.8	154.8	84.1	76.2	20.2	36.5	123.8	247.7	23.8	4.8
215	2-15/16	20.5	2-9/32	11-3/4	2-7/8	8-1/2	9-1/2	7/8	1-7/16	1	6-3/4	3-5/8	3-1/2	13/16	1-15/32	5-31/64	10-31/32	1-3/64	3/16
	75mm	7.9	57.9	298.5	73.0	215.9	241.3	M22	36.5	25.4	171.5	92.1	88.9	20.6	37.3	139.3	278.6	26.6	4.8
215 (SCU)	2-15/16	20.7	2-9/32	11-3/4	2-7/8	8-1/2	9-1/2	7/8	1-7/16	1	6-1/2	3-5/8	3-1/4	13/16	1-15/32	5-31/64	10-31/32	1-3/64	3/16
	75mm	8.0	57.9	298.5	73.0	215.9	241.3	M22	36.5	25.4	165.1	92.1	82.6	20.6	37.3	139.3	278.6	26.6	4.8

FEATURES/BENEFITS PAGE B3-2	NOMENCLATURE PAGE B3-4	SELECTION PAGE B3-5	RELATED PRODUCTS PAGE B3-133
--------------------------------	---------------------------	------------------------	---------------------------------

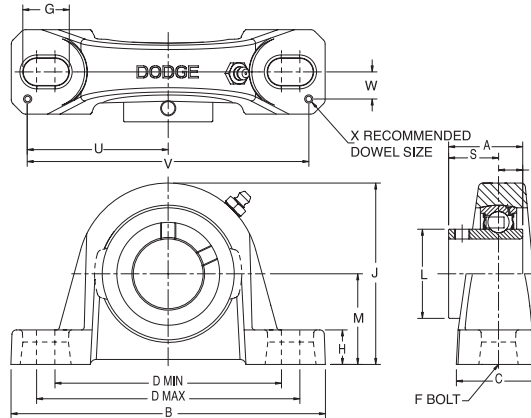
# SELECTION/DIMENSIONS



## Setscrew Ball Bearings SCB NORMAL DUTY PILLOW BLOCKS

### Lube Fitting

203 series - 1/4-28 tapered thread  
204 series and larger - 1/8-27 NPT



Series	Shaft Size	Part No.	Description
203 (SC)	1/2	<b>123830</b>	P2B-SC-008
	5/8	<b>123831</b>	P2B-SC-010
	17mm	<b>053170</b>	P2B-SC-17M
204	1/2	<b>123854</b>	P2B-SCB-008L
	5/8	<b>123855</b>	P2B-SCB-010L
	3/4	<b>123860</b>	P2B-SCB-012
	20mm	<b>124941</b>	P2B-SCB-20M
205	7/8	<b>123861</b>	P2B-SCB-014
	15/16	<b>123862</b>	P2B-SCB-015
	1	<b>123863</b>	P2B-SCB-100
	25mm	<b>125768</b>	P2B-SCB-25M
206	1-1/16	<b>123856</b>	P2B-SCB-101
	1-1/8	<b>123864</b>	P2B-SCB-102
	1-3/16	<b>123865</b>	P2B-SCB-103
	1-1/4	<b>123171</b>	P2B-SCB-104S
	30mm	<b>125760</b>	P2B-SCB-30M
207	1-1/4	<b>123866</b>	P2B-SCB-104
	1-5/16	<b>123857</b>	P2B-SCB-105
	1-3/8	<b>123867</b>	P2B-SCB-106
	1-7/16	<b>123868</b>	P2B-SCB-107
	35mm	<b>124944</b>	P2B-SCB-35M

@ Assembled to order.

FEATURES/BENEFITS PAGE B3-2	NOMENCLATURE PAGE B3-4	SELECTION PAGE B3-5	RELATED PRODUCTS PAGE B3-133
--------------------------------	---------------------------	------------------------	---------------------------------

# SELECTION/DIMENSIONS



## Setscrew Ball Bearings SCB NORMAL DUTY PILLOW BLOCKS

Series	Shaft Size	Weight lb. kg	A	B	C	D		F Bolt Dia.	G	H	J	L	M	R	S	U	V	W	X
						Min.	Max.												
203 (SC)	1/2	1.1	1	5	1-31/64	3-1/4	4-1/16	3/8	27/32	2-9/64	2-9/64	31/32	1-1/16	23/64	41/64	2-1/4	4-1/2	3/8	1/8
	5/8	1.0																	
	17mm	0.4	25.4	127.0	30.6	82.6	103.2	M10	21.4	11.4	54.4	24.6	27.0	9.1	16.3	57.2	114.3	9.5	3.2
204	1/2	1.6	1-5/32	5-1/4	1-21/64	3-3/8	4-3/16	3/8	27/32	29/64	2-1/2	1-1/8	1-1/4	27/64	47/64	2-1/4	4-1/2	1/2	1/8
	5/8	1.5																	
	3/4	1.4																	
	20mm	0.7	29.4	133.4	33.7	85.7	106.4	M10	21.4	11.5	63.5	28.6	31.8	10.7	18.7	57.2	114.3	12.7	3.2
205	7/8	1.8	1-3/16	5-1/2	1-13/32	3-11/16	4-1/2	3/8	27/32	29/64	2-21/32	1-5/16	1-5/16	27/64	49/64	2-1/2	5	1/2	3/16
	15/16	1.7																	
	1	1.6																	
	25mm	0.7	30.2	139.7	35.7	93.7	114.3	M10	21.4	11.5	67.5	33.3	33.3	10.7	19.4	63.5	127.0	12.7	4.8
206	1-1/16	2.8	1-25/64	6-1/4	1-47/64	4-1/4	5	1/2	15/16	5/8	3-3/16	1-37/64	1-9/16	31/64	29/32	2-7/8	5-3/4	9/16	3/16
	1-1/8	2.7																	
	1-3/16	2.6																	
	1-1/4	2.5																	
	30mm	1.1	35.3	158.8	44.1	108.0	127.0	M12	23.8	15.9	81.0	40.1	39.7	12.3	23.0	73.0	146.1	14.3	4.8
207	1-1/4	4.5	1-17/32	6-1/2	1-47/64	4-11/16	5-7/16	1/2	15/16	41/64	3-11/16	1-27/32	1-13/16	1/2	1-1/32	2-29/32	5-13/16	9/16	3/16
	1-5/16	4.4																	
	1-3/8	4.3																	
	1-7/16	4.2																	
	35mm	1.5	38.9	165.1	44.1	119.1	138.1	M12	23.8	16.3	93.7	46.8	46.0	12.7	26.2	73.8	147.6	14.3	4.8

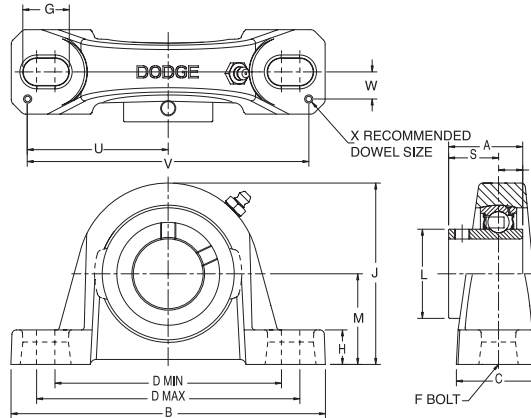
FEATURES/BENEFITS PAGE B3-2	NOMENCLATURE PAGE B3-4	SELECTION PAGE B3-5	RELATED PRODUCTS PAGE B3-133
--------------------------------	---------------------------	------------------------	---------------------------------

# SELECTION/DIMENSIONS



## Setscrew Ball Bearings SCB NORMAL DUTY PILLOW BLOCKS

**Lube Fitting**  
203 series - 1/4-28 tapered thread  
204 series and larger - 1/8-27 NPT



Series	Shaft Size	Part No.	Description
208	1-1/2	<b>123869</b>	P2B-SCB-108
	1-5/8	<b>123858</b>	P2B-SCB-110
	40mm	<b>125856</b>	<i>P2B-SCB-40M</i>
209	1-5/8	<b>068760</b>	P2B-SCB-110L
	1-11/16	<b>123870</b>	P2B-SCB-111
	1-3/4	<b>123871</b>	P2B-SCB-112
210	45mm	<b>051878</b>	<i>P2B-SCB-45M</i>
	1-15/16	<b>123872</b>	P2B-SCB-115
	2	<b>123873</b>	P2B-SCB-200
211	50mm	<b>051879</b>	<i>P2B-SCB-50M</i>
	2	<b>057603</b>	P2B-SCB-200L
	2-3/16	<b>123874</b>	P2B-SCB-203
212	2-1/4	<b>123589</b>	P2B-SCB-204
	55mm	<b>124943</b>	<i>P2B-SCB-55M</i>
	2-1/4	<b>068361</b>	P2B-SCB-204L
215	2-7/16	<b>123875</b>	P2B-SCB-207
	60mm	<b>051880</b>	<i>P2B-SCB-60M</i>
	2-15/16	<b>123727</b>	P2B-SCB-215
	75mm	<b>@</b>	<i>P2B-SCB-75M</i>

@ Assembled to order.

FEATURES/BENEFITS PAGE B3-2	NOMENCLATURE PAGE B3-4	SELECTION PAGE B3-5	RELATED PRODUCTS PAGE B3-133
--------------------------------	---------------------------	------------------------	---------------------------------

# SELECTION/DIMENSIONS



## Setscrew Ball Bearings SCB NORMAL DUTY PILLOW BLOCKS

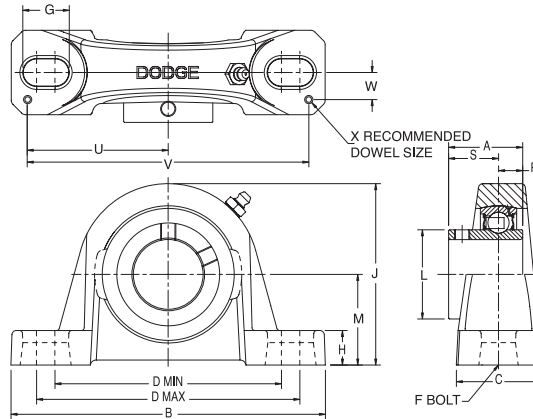
Series	Shaft Size	Weight lbs kgs	A	B	C	D		F Bolt Dia.	G	H	J	L	M	R	S	U	V	W	X
						Min.	Max.												
208	1-1/2	5.4	1-11/16	7-1/4	1-15/16	5-3/16	5-7/8	1/2	29/32	3/4	4	2-3/64	1-15/16	19/32	1-3/32	3-17/64	6-17/32	11/16	3/16
	1-5/8	5.3																	
	40mm	2.2	42.9	184.2	49.2	131.8	149.2	M12	23.0	19.1	101.6	52.0	49.2	15.1	27.8	82.9	165.9	17.5	4.8
209	1-5/8	6.6	1-23/32	7-7/16	2	5-1/2	6-3/8	1/2	29/32	11/16	4-7/32	2-7/32	2-1/16	19/32	1-1/8	3-3/8	6-3/4	11/16	3/16
	1-11/16	6.4																	
	45mm	2.2	43.7	188.9	50.8	139.7	161.9	M12	23.0	17.5	107.2	56.4	52.4	15.1	28.6	85.7	171.5	17.5	4.8
210	1-15/16	7.2	1-3/4	8-1/8	2-1/4	6	6-11/16	5/8	1-1/64	11/16	4-15/32	2-7/16	2-3/16	19/32	1-5/32	3-11/16	7-3/8	13/16	3/16
	2	7.0																	
	50mm	2.6	44.5	206.4	57.2	152.4	169.9	M16	25.8	17.5	113.5	61.9	55.6	15.1	29.4	93.7	187.3	20.6	4.8
211	2	9.0	1-27/32	8-7/8	2-5/16	6-3/8	7-7/16	5/8	1-7/32	13/16	4-29/32	2-23/32	2-7/16	5/8	1-7/32	3-15/16	7-7/8	13/16	3/16
	2-3/16	8.9																	
	55mm	3.3	46.8	225.4	58.7	161.9	188.9	M16	31.0	20.6	124.6	69.1	61.9	15.9	31.0	100.0	200.0	20.6	4.8
212	2-1/4	10.8	1-63/64	9-1/2	2-3/8	6-7/8	7-15/16	5/8	1-7/32	13/16	5-11/32	2-31/32	2-11/16	43/64	1-5/16	4-1/4	8-1/2	7/8	3/16
	2-7/16	10.2																	
	60mm	4.2	50.4	241.3	60.3	174.6	201.6	M16	31.0	20.6	135.7	75.4	68.3	17.1	33.3	108.0	215.9	22.2	4.8
215	2-15/16	20.5	2-9/32	11-3/4	2-7/8	8-1/2	9-1/2	7/8	1-7/16	1-1/16	6-9/16	3-5/8	3-5/16	13/16	1-15/32	5-31/64	10-31/32	1-3/64	3/16
	75mm	7.9	57.9	298.5	73.0	215.9	241.3	M22	36.5	27.0	166.7	92.1	84.1	20.6	37.3	139.3	278.6	26.6	4.8

FEATURES/BENEFITS PAGE B3-2	NOMENCLATURE PAGE B3-4	SELECTION PAGE B3-5	RELATED PRODUCTS PAGE B3-133
--------------------------------	---------------------------	------------------------	---------------------------------

# SELECTION/DIMENSIONS



## Setscrew Ball Bearings SCBAH AIR HANDLING NORMAL DUTY PILLOW BLOCKS



### Lube Fitting

203 series - 1/4-28 tapered thread  
204 series and larger - 1/8-27 NPT

Series	Shaft Size	Part No.	Description
203	1/2	<b>123725</b>	P2B-SCAH-008
	5/8	<b>123958</b>	P2B-SCAH-010
	17mm	@	P2B-SCAH-17M
204	1/2	@	P2B-SCBAH-008L
	5/8	<b>068307</b>	P2B-SCBAH-010L
	3/4	<b>123959</b>	P2B-SCBAH-012
	20mm	@	P2B-SCBAH-20M
205	7/8	@	P2B-SCBAH-014
	15/16	@	P2B-SCBAH-015
	1	<b>123960</b>	P2B-SCBAH-100
	25mm	@	P2B-SCBAH-25M
206	1-1/16	@	P2B-SCBAH-101
	1-1/8	@	P2B-SCBAH-102
	1-3/16	<b>123961</b>	P2B-SCBAH-103
	1-1/4	<b>123962</b>	P2B-SCBAH-104S
	30mm	@	P2B-SCBAH-30M
207	1-1/4	<b>123963</b>	P2B-SCBAH-104
	1-5/16	@	P2B-SCBAH-105
	1-3/8	@	P2B-SCBAH-106
	1-7/16	<b>123918</b>	P2B-SCBAH-107
	35mm	@	P2B-SCBAH-35M

@ Assembled to order

FEATURES/BENEFITS PAGE B3-2	NOMENCLATURE PAGE B3-4	SELECTION PAGE B3-5	RELATED PRODUCTS PAGE B3-133
--------------------------------	---------------------------	------------------------	---------------------------------

# SELECTION/DIMENSIONS



## Setscrew Ball Bearings SCBAH AIR HANDLING NORMAL DUTY PILLOW BLOCKS

Series	Shaft Size	Weight lbs kgs	A	B	C	D		F Bolt Dia.	G	H	J	L	M	R	S	U	V	W	X
						min.	max.												
203	1/2	1.1	1	5	1-31/64	3-1/4	4-1/16	3/8	27/32	2-9/64	2-9/64	31/32	1-1/16	23/64	41/64	2-1/4	4-1/2	3/8	1/8
	5/8	1.0																	
	17mm	0.4	25.4	127.0	30.6	82.6	103.2	M10	21.4	11.4	54.4	24.6	27.0	9.1	16.3	57.2	114.3	9.5	3.2
204	1/2	1.6	1-5/32	5-1/4	1-21/64	3-3/8	4-3/16	3/8	27/32	29/64	2-1/2	1-1/8	1-1/4	27/64	47/64	2-1/4	4-1/2	1/2	1/8
	5/8	1.5																	
	3/4	1.4																	
	20mm	0.7	29.4	133.4	33.7	85.7	106.4	M10	21.4	11.5	63.5	28.6	31.8	10.7	18.7	57.2	114.3	12.7	3.2
205	7/8	1.8	1-3/16	5-1/2	1-13/32	3-11/16	4-1/2	3/8	27/32	29/64	2-21/32	1-5/16	1-5/16	27/64	49/64	2-1/2	5	1/2	3/16
	15/16	1.7																	
	1	1.6																	
	25mm	0.7	30.2	139.7	35.7	93.7	114.3	M10	21.4	11.5	67.5	33.3	33.3	10.7	19.4	63.5	127.0	12.7	4.8
206	1-1/16	2.8	1-25/64	6-1/4	1-47/64	4-1/4	5	1/2	15/16	5/8	3-3/16	1-37/64	1-9/16	31/64	29/32	2-7/8	5-3/4	9/16	3/16
	1-1/8	2.7																	
	1-3/16	2.6																	
	1-1/4	2.5																	
	30mm	1.1	35.3	158.8	44.1	108.0	127.0	M12	23.8	15.9	81.0	40.1	39.7	12.3	23.0	73.0	146.1	14.3	4.8
207	1-1/4	4.5	1-17/32	6-1/2	1-47/64	4-11/16	5-7/16	1/2	15/16	41/64	3-11/16	1-27/32	1-13/16	1/2	1-1/32	2-29/32	5-13/16	9/16	3/16
	1-5/16	4.4																	
	1-3/8	4.3																	
	1-7/16	4.2																	
	35mm	1.5	38.9	165.1	44.1	119.1	138.1	M12	23.8	16.3	93.7	46.8	46.0	12.7	26.2	73.8	147.6	14.3	4.8

FEATURES/BENEFITS PAGE B3-2	NOMENCLATURE PAGE B3-4	SELECTION PAGE B3-5	RELATED PRODUCTS PAGE B3-133
--------------------------------	---------------------------	------------------------	---------------------------------

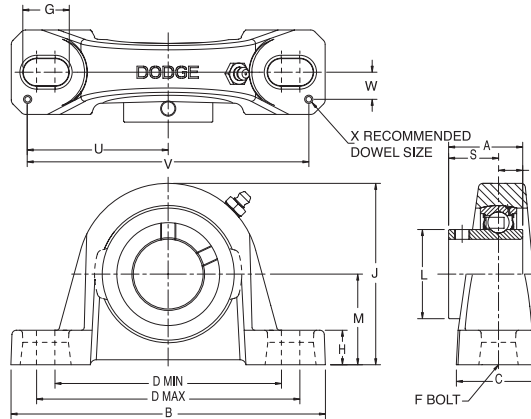
# SELECTION/DIMENSIONS



## Setscrew Ball Bearings SCBAH AIR HANDLING NORMAL DUTY PILLOW BLOCKS

### Lube Fitting

203 series - 1/4-28 tapered thread  
204 series and larger - 1/8-27 NPT



Series	Shaft Size	Part No.	Description
208	1-1/2	<b>123936</b>	P2B-SCBAH-108
	1-5/8	@	P2B-SCBAH-110
	40mm	<b>054727</b>	<i>P2B-SCBAH-40M</i>
209	1-5/8	<b>065774</b>	P2B-SCBAH-110L
	1-11/16	<b>123964</b>	P2B-SCBAH-111
	1-3/4	@	P2B-SCBAH-112
210	45mm	@	<i>P2B-SCBAH-45M</i>
	1-15/16	<b>123938</b>	P2B-SCBAH-115
	2	<b>123693</b>	P2B-SCBAH-200
211	50mm	@	<i>P2B-SCBAH-50M</i>
	2	@	P2B-SCBAH-200L
	2/3/16	<b>123965</b>	P2B-SCBAH-203
212	2-1/4	@	P2B-SCBAH-204
	55mm	@	<i>P2B-SCBAH-55M</i>
	2-1/4	@	P2B-SCBAH-204L
215	2-7/16	<b>123966</b>	P2B-SCBAH-207
	60mm	@	<i>P2B-SCBAH-60M</i>
	2-15/16	@	P2B-SCBAH-215
	75mm	@	<i>P2B-SCBAH-75M</i>

@ Assembled to order

FEATURES/BENEFITS PAGE B3-2	NOMENCLATURE PAGE B3-4	SELECTION PAGE B3-5	RELATED PRODUCTS PAGE B3-133
--------------------------------	---------------------------	------------------------	---------------------------------



# SELECTION/DIMENSIONS



## Setscrew Ball Bearings SCBAH AIR HANDLING NORMAL DUTY PILLOW BLOCKS

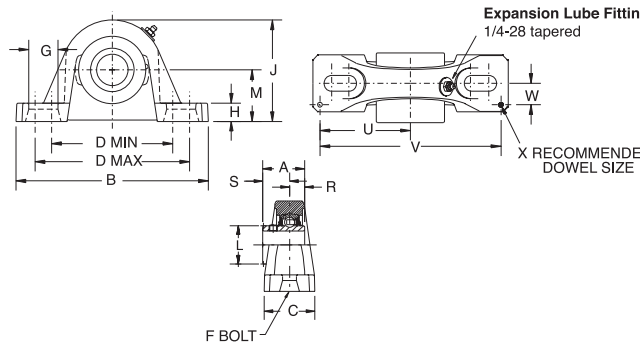
Series	Shaft Size	Weight lbs kgs	A	B	C	D		F Bolt Dia.	G	H	J	L	M	R	S	U	V	W	X
						min.	max.												
208	1-1/2	5.4	1-11/16	7-1/4	1-15/16	5-3/16	5-7/8	1/2	29/32	3/4	4	2-3/64	1-15/16	19/32	1-3/32	3-17/64	6-17/32	11/16	3/16
	1-5/8	5.3																	
	40mm	2.2	42.9	184.2	49.2	131.8	149.2	M12	23.0	19.1	101.6	52.0	49.2	15.1	27.8	82.9	165.9	17.5	4.8
209	1-5/8	6.5	1-23/32	7-7/16	2	5-1/2	6-3/8	1/2	29/32	11/16	4-7/32	2-7/32	2-1/16	19/32	1-1/8	3-3/8	6-3/4	11/16	3/16
	1-11/16	6.4																	
	1-3/4	6.2																	
	45mm	2.2	43.7	188.9	50.8	139.7	161.9	M12	23.0	17.5	107.2	56.4	52.4	15.1	28.6	85.7	171.5	17.5	4.8
210	1-15/16	7.2	1-3/4	8-1/8	2-1/4	6	6-11/16	5/8	1-1/64	11/16	4-15/32	2-7/16	2-3/16	19/32	1-5/32	3-11/16	7-3/8	13/16	3/16
	2	7.0																	
	50mm	2.6	44.5	206.4	57.2	152.4	169.9	M16	25.8	17.5	113.5	61.9	55.6	15.1	29.4	93.7	187.3	20.6	4.8
211	2	9.0	1-27/32	8-7/8	2-5/16	6-3/8	7-7/16	5/8	1-7/32	13/16	4-29/32	2-23/32	2-7/16	5/8	1-7/32	3-15/16	7-7/8	13/16	3/16
	2-3/16	8.9																	
	2-1/4	8.8																	
	55mm	3.3	4.68	225.4	58.7	161.9	188.9	M16	31.0	20.6	124.6	69.1	61.9	15.9	31.0	100.0	200.0	20.6	4.8
212	2-1/4	10.8	1-63/64	9-1/2	2-3/8	6-7/8	7-15/16	5/8	1-7/32	13/16	5-11/32	2-31/32	2-11/16	43/64	1-5/16	4-1/4	8-1/2	7/8	3/16
	2-7/16	10.2																	
	60mm	4.2	50.4	241.3	60.3	174.6	201.6	M16	31.0	20.6	135.7	75.4	68.3	17.1	33.3	108.0	215.9	22.2	4.8
215	2-15/16	20.5	2-9/32	11-3/4	2-7/8	8-1/2	9-1/2	7/8	1-7/16	1-1/16	6-9/16	3-5/8	3-5/16	13/16	1-15/32	5-31/64	10-31/32	1-3/64	3/16
	75mm	7.9	57.9	298.5	73.0	215.9	241.3	M12	36.5	27.0	166.7	92.1	84.1	20.6	37.3	139.3	278.6	26.6	4.8

FEATURES/BENEFITS PAGE B3-2	NOMENCLATURE PAGE B3-4	SELECTION PAGE B3-5	RELATED PRODUCTS PAGE B3-133
--------------------------------	---------------------------	------------------------	---------------------------------

# SELECTION/DIMENSIONS



## Setscrew Ball Bearings SCH-E EXPANSION NORMAL DUTY PILLOW BLOCKS



Series	Shaft Size	Expansion		Non-Expansion	
		Part Number	Description	Part Number	Description
205	1	<b>064637</b>	P2B-SCH-100-E	<b>126147</b>	P2B-SCM-100
	25mm	@	P2B-SCH-25M-E	<b>125925</b>	P2B-SCM-25M
206	1-1/16	@	P2B-SCH-101-E	-----	-----
	1-1/8	@	P2B-SCH-102-E	-----	-----
	1 3/16	<b>126405</b>	P2B-SCH-103-E	<b>126147</b>	P2B-SCM-103
	1-1/4	<b>053183</b>	P2B-SCH-104S-E	<b>123810</b>	P2B-SC-104
207	30mm	<b>053021</b>	P2B-SCH-30M-E	<b>125926</b>	P2B-SCM-30M
	1-1/4	@	P2B-SCH-104-E	-----	-----
	1-5/16	@	P2B-SCH-105-E	-----	-----
	1-3/8	@	P2B-SCH-106-E	-----	-----
	1-7/16	<b>126406</b>	P2B-SCH-107-E	<b>126810</b>	P2B-SCM-107
209	35mm	@	P2B-SCH-35M-E	<b>125927</b>	P2B-SCM-35M
	1-5/8	@	P2B-SCH-110L-E	-----	-----
	1-11/16	<b>057414</b>	P2B-SCH-111-E	<b>126812</b>	P2B-SCM-111
	1-3/4	@	P2B-SCH-112-E	<b>126813</b>	P2B-SCM-112
210	45mm	<b>056481</b>	P2B-SCH-45M-E	<b>125929</b>	P2B-SCM-45M
	1-15/16	<b>126407</b>	P2B-SCH-115-E	<b>126814</b>	P2B-SCM-115
	2	<b>052224</b>	P2B-SCH-200-E	<b>126815</b>	P2B-SCM-200
211	50mm	<b>056483</b>	P2B-SCH-50M-E	<b>125930</b>	P2B-SCM-50M
	2-3/16	<b>126408</b>	P2B-SCH-203-E	<b>126816</b>	P2B-SCM-203
	2-1/4	<b>068800</b>	P2B-SCH-204-E	<b>126817</b>	P2B-SCM-204
212	55mm	<b>053025</b>	P2B-SCH-55M-E	<b>125931</b>	P2B-SCM-55M
	2-7/16	<b>126409</b>	P2B-SCH-207-E	<b>126818</b>	P2B-SCM-207
	60mm	@	P2B-SCH-60M-E	-----	-----

@Assembled to order

FEATURES/BENEFITS PAGE B3-2	NOMENCLATURE PAGE B3-4	SELECTION PAGE B3-5	RELATED PRODUCTS PAGE B3-133
--------------------------------	---------------------------	------------------------	---------------------------------

# SELECTION/DIMENSIONS



## Setscrew Ball Bearings SCH-E EXPANSION NORMAL DUTY PILLOW BLOCKS

Series	Shaft Size	Weight lbs kg	A	B	C	D		F Bolt Dia.	G	H	J
						min.	max.				
205	1	2.8	1 3/16	6 1/4	1 47/64	4 1/4	5	1/2	15/16	3/4	3 5/16
	25mm	1.2	30.2	158.8	44.1	108.0	127.0	M12	23.8	19.1	84.1
206	1-1/16	4.8	1 25/64	6 7/8	2	4 11/16	5 7/16	1/2	1	11/16	3 13/16
	1-1/8	4.7									
	1-3/16	4.6									
	1-1/4	4.5									
207	30mm	1.9	35.3	174.6	50.8	119.1	138.1	M12	25.4	17.5	96.8
	1-1/4	6.7	1 17/32	7 15/16	2 1/32	5 1/16	6 5/16	1/2	1 3/16	3/4	4 3/16
	1-5/16	6.6									
	1-3/8	6.5									
	1-7/16	6.4									
209	35mm	2.7	38.9	201.6	51.6	128.6	160.3	M12	30.2	19.1	106.4
	1-5/8	6.4	1 23/32	8 1/8	2 3/8	6	6 1/2	5/8	15/16	3/4	4 9/16
	1-11/16	6.3									
	1-3/4	6.2									
210	45mm	2.6	43.7	206.4	60.3	152.4	165.1	M12	23.8	19.1	115.9
	1-15/16	9.8	1 3/4	9 1/2	2 1/2	6	7 1/2	5/8	1 7/16	7/8	5 3/32
	2	9.7									
211	50mm	4.0	44.5	241.3	63.5	152.4	190.5	M16	36.5	22.2	129.4
	2-3/16	14.3	1 27/32	10 1/4	3	6 5/8	7 7/8	5/8	1 7/16	1 1/16	5 5/8
	2-1/4	14.2									
212	55mm	5.9	46.8	260.4	76.2	168.3	200.0	M16	36.5	27.0	142.9
	2-7/16	16.6	2 9/32	11 1/4	3 1/4	7 3/16	8 13/16	3/4	1 5/8	1 1/16	6 1/4
212	60mm	6.8	57.9	285.8	82.6	182.6	223.8	M18	41.3	27.0	158.8

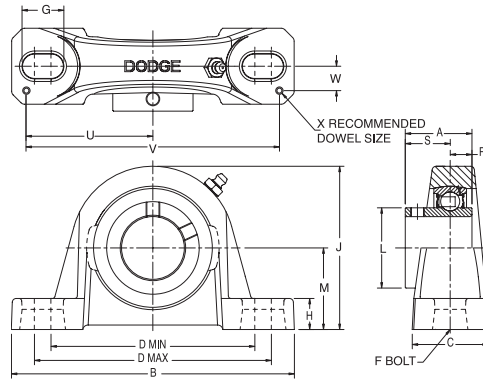
Series	Shaft Size	L	M	R	S	T Total Expansion	U	V	W	X
205	1	1 21/64	1 11/16	27/64	49/64	5/32	2 7/8	5 3/4	9/16	3/16
	25mm	33.7	42.9	10.7	19.4	4.0	73.0	146.1	14.3	4.8
206	1-1/16	1 37/64	1 7/8	31/64	29/32	3/16	3 1/8	6 1/4	11/16	3/16
	1-1/8									
	1-3/16									
	1-1/4									
207	30mm	40.1	47.6	12.3	23.0	4.8	79.4	158.8	17.5	4.8
	1-1/4	1 27/32	2 1/8	1/2	1 1/32	3/16	3 11/16	7 3/8	23/32	3/16
	1-5/16									
	1-3/8									
	1-7/16									
209	35mm	46.8	54.0	12.7	26.2	4.8	93.7	187.3	18.3	4.8
	1-5/8	2 7/32	2 1/4	19/32	1 1/8	1/4	3 11/16	7 3/8	13/16	3/16
	1-11/16									
	1-3/4									
210	45mm	56.4	57.2	15.1	28.6	6.4	93.7	187.3	20.6	4.8
	1-15/16	2 7/16	2 1/2	19/32	1 5/32	1/4	4 3/8	8 3/4	7/8	3/16
	2									
211	50mm	61.9	63.5	15.1	29.4	6.4	111.1	222.3	22.2	4.8
	2-3/16	2 23/32	2 3/4	5/8	1 7/32	1/4	4 3/4	9 1/2	1 1/8	3/16
	2-1/4									
212	55mm	69.1	69.9	15.9	31.0	6.4	120.7	241.3	28.6	4.8
	2-7/16	2 31/32	3	43/64	1 5/16	1/4	5 1/4	10 1/2	1 1/4	3/16
212	60mm	75.4	76.2	17.1	33.3	6.4	133.4	266.7	31.8	4.8

FEATURES/BENEFITS PAGE B3-2	NOMENCLATURE PAGE B3-4	SELECTION PAGE B3-5	RELATED PRODUCTS PAGE B3-133
--------------------------------	---------------------------	------------------------	---------------------------------

# SELECTION/DIMENSIONS



## Setscrew Ball Bearings SCM MEDIUM DUTY PILLOW BLOCKS



### Lube Fitting

203 series - 1/4-28 tapered thread  
204 series and larger - 1/8-27 NPT

Series	Shaft Size	Standard		No-Lube/Sealed for Life (-NL)		With Flingers	
		Part No.	Description	Part No.	Description	Part No.	Description
206	1 25mm	<b>126147</b>	P2B-SCM-100	<b>058624</b>	P2B-SCM-100-NL	@	P2B-SCM-100-FF
		<b>125925</b>	P2B-SCM-25M	@	P2B-SCM-25M-NL	@	P2B-SCM-25M-FF
206 (SCMU)	1 25mm	<b>064249</b>	P2B-SCMU-100	@	P2B-SCMU-100-NL	@	P2B-SCMU-100-FF
		@	P2B-SCMU-25M	@	P2B-SCMU-25M-NL	@	P2B-SCMU-25M-FF
207	1-3/16 1-1/4 30mm	<b>126148</b>	P2B-SCM-103	<b>052275</b>	P2B-SCM-103-NL	<b>068049</b>	P2B-SCM-103-FF
		<b>123810</b>	P2B-SC-104	<b>123933</b>	P2B-SC-104-NL	<b>123097</b>	P2B-SC-104-FF
208	1-7/16 35mm	<b>125926</b>	P2B-SCM-30M	@	P2B-SCM-30M-NL	@	P2B-SCM-30M-FF
		<b>126810</b>	P2B-SCM-107	<b>126855</b>	P2B-SCM-107-NL	<b>057275</b>	P2B-SCM-107-FF
209	1-1/2 1-5/8 40mm	<b>125937</b>	P2B-SCM-35M	@	P2B-SCM-35M-NL	@	P2B-SCM-35M-FF
		<b>126811</b>	P2B-SCM-108	<b>058400</b>	P2B-SCM-108-NL	<b>050808</b>	P2B-SCM-108-FF
210	1-11/16 1-3/4 45mm	<b>125169</b>	P2B-SC-110L	@	P2B-SC-110L-NL	@	P2B-SC-110L-FF
		<b>125928</b>	P2B-SCM-40M	@	P2B-SCM-40M-NL	@	P2B-SCM-40M-FF
211	1-11/16 2 50mm	<b>126812</b>	P2B-SCM-111	@	P2B-SCM-111-NL	@	P2B-SCM-111-FF
		<b>126813</b>	P2B-SCM-112	@	P2B-SCM-112-NL	<b>051981</b>	P2B-SCM-112-FF
212	2-3/16 2-1/4 55mm	<b>125929</b>	P2B-SCM-45M	@	P2B-SC-M45M-NL	@	P2B-SCM-45M-FF
		<b>126814</b>	P2B-SCM-115	<b>126856</b>	P2B-SCM-115-NL	<b>126802</b>	P2B-SCM-115-FF
213	2 50mm	<b>126815</b>	P2B-SCM-200	<b>126547</b>	P2B-SCM-200-NL	<b>054561</b>	P2B-SCM-200-FF
		<b>125930</b>	P2B-SCM-50M	<b>065548</b>	P2B-SCM-50M-NL	@	P2B-SCM-50M-FF
214	2-3/16 2-1/4 55mm	<b>126816</b>	P2B-SCM-203	<b>052005</b>	P2B-SCM-203-NL	<b>126858</b>	P2B-SCM-203-FF
		<b>126817</b>	P2B-SCM-204	@	P2B-SCM-204-NL	@	P2B-SCM-204-FF
215	2-7/16 2-1/2 65mm	<b>125931</b>	P2B-SCM-55M	@	P2B-SCM-55M-NL	@	P2B-SCM-55M-FF
		<b>126818</b>	P2B-SCM-207	<b>126857</b>	P2B-SCM-207-NL	<b>126859</b>	P2B-SCM-207-FF
216	2-11/16 2-15/16 70mm	<b>126819</b>	P2B-SCM-208	@	P2B-SCM-208-NL	@	P2B-SCM-208-FF
		<b>125932</b>	P2B-SCM-65M	<b>068025</b>	P2B-SCM-65M-NL	<b>052816</b>	P2B-SCM-65M-FF
217	2-11/16 2-15/16 70mm	<b>126820</b>	P2B-SCM-211	<b>126533</b>	P2B-SCM-211-NL	@	P2B-SCM-211-FF
		<b>125933</b>	P2B-SCM-70M	@	P2B-SC-70M-NL	@	P2B-SCM-70M-FF
218	2-15/16 3 75mm	<b>126821</b>	P2B-SCM-215	<b>126534</b>	P2B-SCM-215-NL	<b>050185</b>	P2B-SCM-215-FF
		<b>126822</b>	P2B-SCM-300	<b>126535</b>	P2B-SCM-300-NL	<b>054459</b>	P2B-SCM-300-FF
219	3-7/16 3-1/2 85mm	<b>125934</b>	P2B-SCM-75M	@	P2B-SCM-75M-NL	<b>054435</b>	P2B-SCM-75M-FF
		<b>126823</b>	P2B-SCM-307	@	P2B-SCM-307-NL	<b>126792</b>	P2B-SCM-307-FF
220	3-1/2 85mm	<b>126824</b>	P2B-SCM-308	@	P2B-SCM-308-NL	@	P2B-SCM-308-FF
		<b>125935</b>	PWB-SCM-85M	@	PWB-SCM-85M-NL	@	PWB-SCM-85M-FF

@ Assembled to order

FEATURES/BENEFITS PAGE B3-2	NOMENCLATURE PAGE B3-4	SELECTION PAGE B3-5	RELATED PRODUCTS PAGE B3-133
--------------------------------	---------------------------	------------------------	---------------------------------

# SELECTION/DIMENSIONS



## Setscrew Ball Bearings SCM MEDIUM DUTY PILLOW BLOCKS

Series	Shaft Size	Weight lbs. kgs.	A	B	C	D		F Bolt Dia.	G	H	J	L	M	R	S	U	V	W	X
						Min.	Max.												
206	1	3.0	1-25/64	6-1/4	1-47/64	4-1/4	5	1/2	15/16	3/4	3-5/16	1-37/64	1-11/16	31/64	29/32	2-7/8	5-3/4	9/16	3/16
	25mm	1.3	35.3	158.8	44.1	108.0	127.0	M12	23.8	19.1	84.2	40.1	41.3	12.3	23.0	73.0	146.1	14.3	4.8
206 (SCMU)	1	3.1	1-25/64	6-1/4	1-47/64	4-1/4	5	1/2	15/16	13/16	3-3/8	1-37/64	1-3/4	31/64	29/32	2-7/8	5-3/4	9/16	3/16
	25mm	1.4	35.3	158.8	44.1	108.0	127.0	M12	23.8	20.6	85.7	40.1	44.5	12.3	23.0	73.0	146.1	14.3	4.8
207	1-3/16	4.6	1-17/32	6-1/2	1-47/64	4-11/16	5-7/16	1/2	15/16	45/64	3-3/4	1-27/32	1-7/8	1/2	1-1/32	2-29/32	5-13/16	9/16	3/16
	1-1/4	4.2	2.0	38.9	165.1	44.1	119.1	138.1	M12	23.8	17.9	95.3	46.8	47.6	12.7	26.2	73.8	147.6	14.3
208	1-7/16	5.4	1-11/16	7-1/4	1-15/16	5-3/16	5-7/8	1/2	29/32	15/16	4-3/16	2-3/64	2-1/8	19/32	1-3/32	3-17/64	6-17/32	11/16	3/16
	35mm	2.3	42.9	184.2	49.2	131.8	149.2	M12	23.0	23.8	106.4	52.0	54.0	15.1	27.8	82.9	165.9	17.5	4.8
209	1-1/2	6.4	1-23/32	7-7/16	2	5-1/2	6-3/8	1/2	29/32	3/4	4-9/32	2-7/32	2-1/8	19/32	1-1/8	3-3/8	6-3/4	11/16	3/16
	1-5/8	6.3	2.7	43.7	188.9	50.8	139.7	161.9	M12	23.0	19.1	108.7	56.4	54.0	15.1	28.6	85.7	171.5	17.5
210	1-11/16	7.4	1-3/4	8-1/8	2-1/4	6	6-11/16	5/8	1-1/16	3/4	4-17/32	2-7/16	2-1/4	19/32	1-5/32	3-11/16	7-3/8	13/16	3/16
	1-3/4	7.3	3.2	44.5	206.4	57.2	152.4	169.9	M16	22.0	19.1	115.1	61.9	57.2	15.1	29.4	93.7	187.3	20.6
211	1-15/16	9.2	1-27/32	8-7/8	2-5/16	6-3/8	7-7/16	5/8	1-7/32	7/8	4-31/32	2-23/32	2-1/2	5/8	1-7/32	3-15/16	7-7/8	13/16	3/16
	2	9.0	3.9	46.8	225.4	58.7	161.9	188.9	M16	31.0	22.2	126.2	69.1	63.5	15.9	31.0	100.0	200.0	20.6
212	2-3/16	11.0	1-63/64	9-1/2	2-3/8	6-7/8	7-15/16	5/8	1-7/32	7/8	5-13/32	2-31/32	2-3/4	43/64	1-5/16	4-1/4	8-1/2	7/8	3/16
	2-1/4	10.8	4.7	50.4	241.3	60.3	174.6	201.6	M16	31.0	22.2	137.3	75.4	69.9	17.1	33.3	108.0	215.9	22.2
214	2-7/16	15.7	2-15/64	10-3/4	2-11/16	7-1/2	8-1/2	3/4	1-5/16	15/16	6-3/32	3-5/16	3	51/64	1-7/16	4-7/8	9-3/4	15/16	3/16
	2-1/2	15.5	6.7	56.8	273.1	68.3	190.5	215.9	M18	33.3	23.8	154.8	84.1	76.2	20.2	36.5	123.8	247.7	23.8
215	2-11/16	21.0	2-9/32	11-3/4	2-7/8	8-1/2	9-1/2	7/8	1-7/16	1	6-3/4	3-5/8	3-1/2	13/16	1-15/32	5-31/64	10-31/32	1-3/64	3/16
	70mm	9.0	57.9	298.5	73.0	215.9	241.3	M22	36.5	25.4	171.5	92.1	88.9	20.6	37.3	139.3	278.6	26.6	4.8
216	2-15/16	21.3	2-11/32	11-3/4	3	8-1/2	9-1/2	7/8	1-7/16	1-1/4	6-31/32	3-53/64	3-1/2	27/32	1-1/2	5-1/2	11	1-3/32	3/16
	3	21.1	9.0	59.5	298.5	76.2	215.9	241.3	M22	36.5	31.8	177.0	97.2	88.9	21.4	38.1	139.7	279.4	27.8
218	3-7/16	31.8	2-31/64	14	3-3/8	10-5/16	11-5/8	7/8	1-19/32	1-5/16	8	4-23/64	4	59/64	1-9/16	6-9/16	13-1/8	1-3/16	3/16
	3-1/2	31.3	13.6	63.1	355.6	85.7	261.9	295.3	M22	40.5	33.3	203.2	110.7	101.6	23.4	39.7	166.7	333.4	30.2

FEATURES/BENEFITS PAGE B3-2	NOMENCLATURE PAGE B3-4	SELECTION PAGE B3-5	RELATED PRODUCTS PAGE B3-133
--------------------------------	---------------------------	------------------------	---------------------------------

# SELECTION/DIMENSIONS

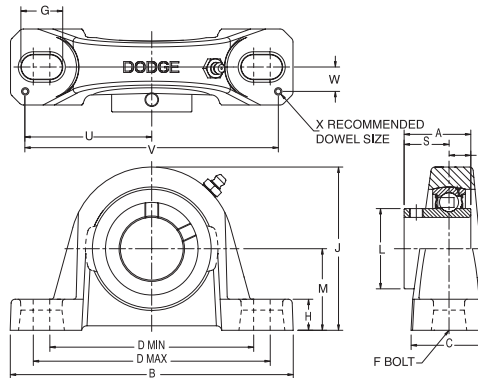
# DODGE®



## Setscrew Ball Bearings SCMAH AIR HANDLING MEDIUM DUTY PILLOW BLOCKS

### Lube Fitting

203 series - 1/4-28 tapered thread  
204 series and larger - 1/8-27 NPT



Series	Shaft Size	Part No.	Description
206	1	<b>126110</b>	P2B-SCMAH-100
	25mm	@	P2B-SCMAH-25M
207	1-3/16	<b>126112</b>	P2B-SCMAH-103
	1-1/4	<b>123907</b>	P2B-SCAH-104
	30mm	<b>064756</b>	P2B-SCMAH-30M
208	1-7/16	<b>126835</b>	P2B-SCMAH-107
	35mm	<b>062304</b>	P2B-SCMAH-35M
209	1-1/2	<b>126836</b>	P2B-SCMAH-108
	1-5/8	@	P2B-SCAH-110L
	40mm	<b>064136</b>	P2B-SCMAH-40M
210	1-11/16	<b>126837</b>	P2B-SCMAH-111
	1-3/4	<b>126838</b>	P2B-SCMAH-112
	45mm	<b>062321</b>	P2B-SCMAH-45M
211	1-15/16	<b>126839</b>	P2B-SCMAH-115
	2	<b>126847</b>	P2B-SCMAH-200
	50mm	<b>056811</b>	P2B-SCMAH-50M
212	2-3/16	<b>126840</b>	P2B-SCMAH-203
	2-1/4	@	P2B-SCMAH-204
	55mm	<b>049816</b>	P2B-SCMAH-55M
214	2-7/16	<b>126841</b>	P2B-SCMAH-207
	2-1/2	@	P2B-SCMAH-208
	65mm	@	P2B-SCMAH-65M
215	2-11/16	<b>126842</b>	P2B-SCMAH-211
	70mm	<b>049818</b>	P2B-SCMAH-70M
216	2-15/16	<b>126843</b>	P2B-SCMAH-215
	3	@	P2B-SCMAH-300
	75mm	<b>053719</b>	P2B-SCM-75M
218	3-7/16	<b>126844</b>	P2B-SCMAH-307
	3-1/2	@	P2B-SCMAH-308
	85mm	@	P2B-SCMAH-85M

@ Assembled to order.

FEATURES/BENEFITS  
PAGE B3-2

NOMENCLATURE  
PAGE B3-4

SELECTION  
PAGE B3-5

RELATED PRODUCTS  
PAGE B3-133

# SELECTION/DIMENSIONS



## Setscrew Ball Bearings SCMAH AIR HANDLING MEDIUM DUTY PILLOW BLOCKS

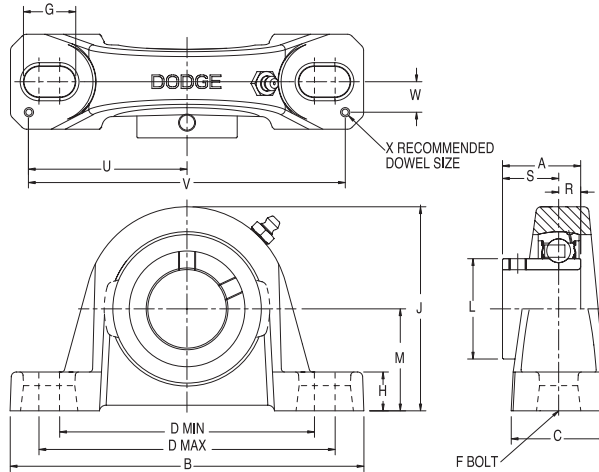
Series	Shaft Size	Weight lbs kgs.	A	B	C	D		F Bolt Dia.	G	H	J	L	M	R	S	U	V	W	X
						min.	max.												
206	1	3.0	1-25/64	6-1/4	1-47/64	4-1/4	5	1/2	15/16	3/4	3-5/16	1-37/64	1-11/16	31/64	29/32	2-7/8	5-3/4	9/16	3/16
	25mm	1.3	35.3	158.8	44.1	108.0	127.0	M12	23.8	19.1	84.1	40.1	42.9	12.3	23.0	73.0	146.1	14.3	4.8
207	1-3/16	4.6	1-17/32	6-1/2	1-47/64	4-11/16	5-7/16	1/2	15/16	45/64	3-3/4	1-27/32	1-7/8	1/2	1-1/32	2-29/32	5-13/16	9/16	3/16
	1-1/4 30mm	4.2 2.0	38.9	165.1	44.1	119.1	138.1	M12	23.8	18.3	95.3	46.8	47.6	12.7	26.2	73.8	147.6	14.3	4.8
208	1-7/16	5.4	1-11/16	7-1/4	1-15/16	5-3/16	5-7/8	1/2	29/32	15/16	4-3/16	2-3/64	2-1/8	19/32	1-3/32	3-17/64	6-17/32	11/16	3/16
	35mm	2.3	42.9	184.2	49.2	131.8	149.2	M12	23.0	23.8	106.4	52.0	54.0	15.1	27.8	82.9	165.9	17.5	4.8
209	1-1/2	6.4	1-23/32	7-7/16	2	5-1/2	6-3/8	1/2	29/32	3/4	4-9/32	2-7/32	2-1/8	19/32	1-1/8	3-3/8	6-3/4	11/16	3/16
	1-5/8 40mm	6.3 2.7	43.7	188.9	50.8	139.7	161.9	M12	23.0	19.1	108.7	56.4	54.0	15.1	28.6	85.7	171.5	17.5	4.8
210	1-11/16	7.4	1-3/4	8-1/8	2-1/4	6	6-11/16	5/8	1-1/16	3/4	4-17/32	2-7/16	2-1/4	19/32	1-5/32	3-11/16	7-3/8	13/16	3/16
	1-3/4 45mm	7.3 3.2	44.5	206.4	57.2	152.4	169.9	M16	22.0	19.1	115.1	61.9	57.2	15.1	29.4	93.7	187.3	20.6	4.8
211	1-15/16	9.2	1-27/32	8-7/8	2-5/16	6-3/8	7-7/16	5/8	1-7/32	7/8	4-31/32	2-23/32	2-1/2	5/8	1-7/32	3-15/16	7-7/8	13/16	3/16
	2 50mm	9.0 3.9	44.5	225.4	58.7	161.9	188.9	M16	31.0	22.2	126.2	69.1	63.5	15.9	31.0	100.0	200.0	20.6	4.8
212	2-3/16	11.0	1-63/64	9-1/2	2-3/8	6-7/8	7-15/16	5/8	1-7/32	7/8	5-13/32	2-31/32	2-3/4	43/64	1-5/16	4-1/4	8-1/2	7/8	3/16
	2-1/4 55mm	10.8 4.7	50.4	241.3	60.3	174.6	201.6	M16	31.0	22.2	137.3	75.4	69.9	17.1	33.3	108.0	215.9	22.2	4.8
214	2-7/16	15.7	2-15/64	10-3/4	2-11/16	7-1/2	8-1/2	3/4	1-5/16	15/16	6-3/32	3-5/16	3	51/64	1-7/16	4-7/8	9-3/4	15/16	3/16
	2-1/2 65mm	15.5 6.7	56.8	273.1	68.3	190.5	215.9	M18	33.3	23.8	154.8	84.1	76.2	20.2	36.5	123.8	247.7	23.8	4.8
215	2-11/16	21.0	2-9/32	11-3/4	2-7/8	8-1/2	9-1/2	7/8	1-7/16	1	6-3/4	3-5/8	3-1/2	13/16	1-15/32	5-31/64	10-31/32	1-3/64	3/16
	70mm	9.0	57.9	298.5	73.0	215.9	241.3	M22	36.5	25.4	171.5	92.1	88.9	20.6	37.3	139.3	278.6	26.6	4.8
216	2-15/16	21.3	2-11/32	11-3/4	3	8-1/2	9-1/2	7/8	1-7/16	1-1/4	6-31/32	3-53/64	3-1/2	27/32	1-1/2	5-1/2	11	1-3/32	3/16
	3 75mm	21.1 9.1	59.5	298.5	76.2	215.9	241.3	M22	36.5	31.8	177.0	97.2	88.9	21.4	38.1	139.7	279.4	27.8	4.8
218	3-7/16	31.8	2-31/64	14	3-3/8	10-5/16	11-5/8	7/8	1-19/32	1-5/16	8	4-23/64	4	59/64	1-9/16	6-9/16	13-1/8	1-3/16	3/16
	3-1/2 85mm	31.3 13.6	63.1	355.6	85.7	261.9	295.3	M22	40.5	33.3	203.2	110.7	101.6	23.4	39.7	166.7	333.4	30.2	4.8

FEATURES/BENEFITS PAGE B3-2	NOMENCLATURE PAGE B3-4	SELECTION PAGE B3-5	RELATED PRODUCTS PAGE B3-133
--------------------------------	---------------------------	------------------------	---------------------------------

# SELECTION/DIMENSIONS



## Setscrew Ball Bearings VSC AND VSCU INTERMEDIATE DUTY PILLOW BLOCKS



**Lube Fitting**  
203 series - 1/4-28 tapered thread  
204 series and larger - 1/8-27 NPT

Series	Shaft Size	Standard		No-Lube/Sealed for Life (-NL)	
		Part No.	Description	Part No.	Description
203	1/2	<b>125500</b>	P2B-VSC-008	<b>049887</b>	P2B-VSC-008-NL
	5/8	<b>125501</b>	P2B-VSC-010	@	P2B-VSC-010-NL
	17mm	@	P2B-VSC-17M	@	P2B-VSC-17M-NL
203 (VSCU)	1/2	<b>125513</b>	P2B-VSCU-008	@	P2B-VSCU-008-NL
	5/8	<b>125514</b>	P2B-VSCU-010	@	P2B-VSCU-010-NL
	17mm	<b>125685</b>	P2B-VSCU-17M	@	P2B-VSCU-17M-NL
204	3/4	<b>123580</b>	P2B-VSC-012	<b>054495</b>	P2B-VSC-012-NL
	20mm	<b>125686</b>	P2B-VSC-20M	@	P2B-VSC-20M-NL
205	7/8	<b>125502</b>	P2B-VSC-014	@	P2B-VSC-014-NL
	15/16	<b>125503</b>	P2B-VSC-015	@	P2B-VSC-015-NL
	1	<b>123581</b>	P2B-VSC-100	<b>123590</b>	P2B-VSC-100-NL
	25mm	<b>125687</b>	P2B-VSC-25M	@	P2B-VSC-25M-NL
206	1-1/8	<b>125504</b>	P2B-VSC-102	@	P2B-VSC-102-NL
	1-3/16	<b>123582</b>	P2B-VSC-103	<b>064691</b>	P2B-VSC-103-NL
	1-1/4	<b>123589</b>	P2B-VSC-104S	@	P2B-VSC-104S-NL
	30mm	<b>125751</b>	P2B-VSC-30M	@	P2B-VSC-30M-NL
206 (VSCU)	1-1/8	<b>125515</b>	P2B-VSCU-102	@	P2B-VSCU-102-NL
	1-3/16	<b>123604</b>	P2B-VSCU-103	<b>050845</b>	P2B-VSCU-103-NL
	1-1/4	<b>123606</b>	P2B-VSCU-104S	@	P2B-VSCU-104S-NL
	30mm	<b>125688</b>	P2B-VSCU-30M	@	P2B-VSCU-30M-NL

@Assembled to order

FEATURES/BENEFITS PAGE B3-2	NOMENCLATURE PAGE B3-4	SELECTION PAGE B3-5	RELATED PRODUCTS PAGE B3-133
--------------------------------	---------------------------	------------------------	---------------------------------



# SELECTION/DIMENSIONS



## Setscrew Ball Bearings VSC AND VSCU INTERMEDIATE DUTY PILLOW BLOCKS

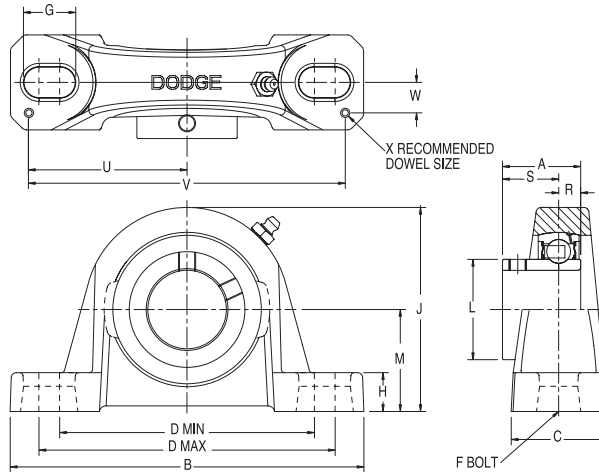
Series	Shaft Size	Weight lbs. kg.	A	B	C	D		F Bolt Dia.	G	H	J	L	M	R	S	U	V	W	X
						Min.	Max.												
203	1/2	1.1	15/16	5	1-13/64	3-1/4	4-1/16	3/8	27/32	15/32	2-9/64	31/32	1-1/16	19/64	41/64	2-1/4	4-1/2	3/8	1/8
	5/8	1.0																	
	17mm	0.5	23.8	127.0	30.6	82.6	103.2	M10	21.4	11.9	54.4	24.6	27.0	7.5	16.3	57.2	114.3	9.5	3.2
203 (VSCU)	1/2	1.2	15/16	5	1-13/64	3-1/4	4-1/16	3/8	27/32	19/32	2-17/64	31/32	1-3/16	19/64	41/64	2-1/4	4-1/2	3/8	1/8
	5/8	1.1																	
	17mm	0.6	23.8	127.0	30.6	82.6	103.2	M10	21.4	15.1	57.5	24.6	30.2	7.5	16.3	57.2	114.3	9.5	3.2
204	3/4	1.4	1-1/16	5-1/4	1-21/64	3-3/8	4-3/16	3/8	27/32	17/32	2-9/16	1-7/64	1-5/16	21/64	47/64	2-1/4	4-1/2	1/2	1/8
	20mm	0.6	27.0	133.4	33.7	85.7	106.4	M10	21.4	13.5	65.1	28.2	33.3	8.3	18.7	57.2	114.3	12.7	3.2
205	7/8	1.8	1-3/32	5-1/2	1-13/32	3-11/16	4-1/2	3/8	27/32	37/64	2-25/32	1-21/64	1-7/16	21/64	49/64	2-1/2	5	1/2	3/16
	15/16	1.7																	
	1	1.6																	
206	25mm	0.8	27.8	139.7	35.7	93.7	114.3	M10	21.4	14.7	70.6	33.7	36.5	8.3	19.4	63.5	127.0	12.7	4.8
	1-1/8	2.7	1-19/64	6-1/4	1-47/64	4-1/4	5	1/2	15/16	11/16	3-1/4	1-37/64	1-5/8	25/64	29/32	2-7/8	5-3/4	9/16	3/16
	1-3/16	2.6																	
	1-1/4	2.5																	
206 (VSCU)	30mm	1.2	32.9	158.8	44.1	108.0	127.0	M12	23.8	17.5	82.6	40.1	41.3	9.9	23.0	73.0	146.1	14.3	4.8
	1-1/8	2.8	1-19/64	6-1/4	1-47/64	4-1/4	5	1/2	15/16	3/4	3-5/16	1-37/64	1-11/16	25/64	29/32	2-7/8	5-3/4	9/16	3/16
	1-3/16	2.7																	
	1-1/4	2.6																	
206 (VSCU)	30mm	1.3	32.9	158.8	44.1	108.0	127.0	M12	23.8	19.1	84.1	40.1	42.9	9.9	23.0	73.0	146.1	14.3	4.8

FEATURES/BENEFITS PAGE B3-2	NOMENCLATURE PAGE B3-4	SELECTION PAGE B3-5	RELATED PRODUCTS PAGE B3-133
--------------------------------	---------------------------	------------------------	---------------------------------

# SELECTION/DIMENSIONS



## Setscrew Ball Bearings VSC AND VSCU INTERMEDIATE DUTY PILLOW BLOCKS



**Lube Fitting**  
 203 series - 1/4-28 tapered thread  
 204 series and larger - 1/8-27 NPT

Series	Shaft Size	Standard		No-Lube/Sealed for Life (-NL)	
		Part No.	Description	Part No.	Description
207	1-1/4	<b>123583</b>	P2B-VSC-104	<b>051889</b>	P2B-VSC-104-NL
	1-3/8	<b>125505</b>	P2B-VSC-106	@	P2B-VSC-106-NL
	1-7/16	<b>123584</b>	P2B-VSC-107	<b>050838</b>	P2B-VSC-107-NL
	35mm	<b>125689</b>	<i>P2B-VSC-35M</i>	<b>067664</b>	<i>P2B-VSC-35M-NL</i>
208	1-1/2	<b>123585</b>	P2B-VSC-108	<b>051890</b>	P2B-VSC-108-NL
	40mm	@	<i>P2B-VSC-40M</i>	@	<i>P2B-VSC-40M-NL</i>
209	1-11/16	<b>125506</b>	P2B-VSC-111	@	P2B-VSC-111-NL
	1-3/4	<b>124933</b>	P2B-VSC-112	@	P2B-VSC-112-NL
	45mm	<b>125691</b>	<i>P2B-VSC-45M</i>	@	<i>P2B-VSC-45M-NL</i>
210	1-15/16	<b>123586</b>	P2B-VSC-115	<b>053662</b>	P2B-VSC-115-NL
	2	<b>123587</b>	P2B-VSC-200	@	P2B-VSC-200-NL
	50mm	<b>125692</b>	<i>P2B-VSC-50M</i>	@	<i>P2B-VSC-50M-NL</i>
211	2	<b>123593</b>	P2B-VSC-200L	<b>049784</b>	P2B-VSC-200L-NL
	2-3/16	<b>123588</b>	P2B-VSC-203	@	P2B-VSC-203-NL
	55mm	<b>125693</b>	<i>P2B-VSC-55M</i>	@	<i>P2B-VSC-55M-NL</i>

@Assembled to order

FEATURES/BENEFITS PAGE B3-2	NOMENCLATURE PAGE B3-4	SELECTION PAGE B3-5	RELATED PRODUCTS PAGE B3-133
--------------------------------	---------------------------	------------------------	---------------------------------

# SELECTION/DIMENSIONS



Bearing Quick Reference

E-Z KLEEN

GRIP TIGHT Adapter Ball Bearing

Set Screw Ball Bearing

Eccentric Collar Ball Bearing

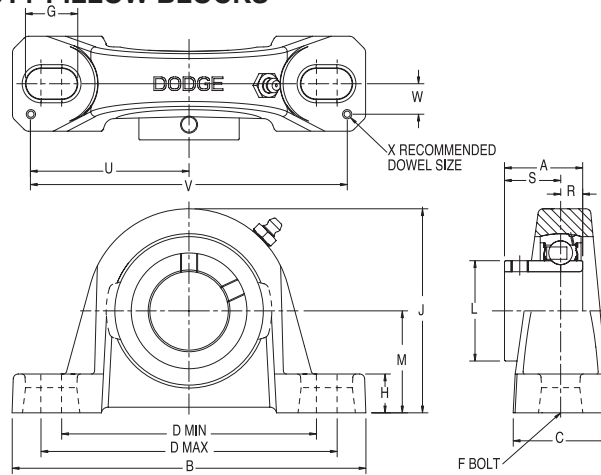
Series	Shaft Size	Weight lbs. kg.	A	B	C	D		F Bolt Dia.	G	H	J	L	M	R	S	U	V	W	X
						Min.	Max.												
207	1-1/4	4.5	1-7/16	6-1/2	1-47/64	4-11/16	5-7/16	1/2	15/16	45/64	3-3/4	1-27/32	1-7/8	13/32	1-1/32	2-29/32	5-13/16	9/16	3/16
	1-3/8	4.3																	
	1-7/16	4.2																	
	35mm	2.0	36.5	165.1	44.1	119.1	138.1	M12	23.8	17.9	95.3	46.8	47.6	10.3	26.2	73.8	147.6	14.3	4.8
208	1-1/2	5.4	1-9/16	7-1/4	1-15/16	5-3/16	5-7/8	1/2	29/32	15/16	4-3/16	2-3/64	2-1/8	15/32	1-3/32	3-17/64	6-17/32	11/16	3/16
	40mm	2.5	39.7	184.2	49.2	131.8	149.2	M12	23.0	23.8	106.4	52.0	54.0	11.9	27.8	82.9	165.9	17.5	4.8
209	1-11/16	6.4	1-19/32	7-7/16	2	5-1/2	6-3/16	1/2	29/32	3/4	4-9/32	2-7/32	2-1/8	15/32	1-1/8	3-3/8	6-3/4	11/16	3/16
	1-3/4	6.2																	
	45mm	3.0	40.5	188.9	50.8	139.7	161.9	M12	23.0	19.1	108.7	56.4	54.0	11.9	28.6	85.7	171.5	17.5	4.8
210	1-15/16	7.2	1-5/8	8-1/8	2-1/4	6	6-11/16	5/8	1-1/16	3/4	4-17/32	2-7/16	2-1/4	15/32	1-5/32	3-11/16	7-3/8	13/16	3/16
	2	7.0																	
	50mm	3.3	41.3	206.4	57.2	152.4	169.9	M16	27.0	19.1	115.1	61.9	57.2	11.9	29.4	93.7	187.3	20.6	4.8
211	2	9.0	1-23/32	8-7/8	2-5/16	6-3/8	7-7/16	5/8	1-7/32	7/8	4-31/32	2-23/32	2-1/2	1/2	1-7/32	3-15/16	7-7/8	13/16	3/16
	2-3/16	8.9																	
	55mm	4.2	43.7	225.4	58.7	161.9	188.9	M16	31.0	22.2	126.2	69.1	63.5	12.7	31.0	100.0	200.0	20.6	4.8

FEATURES/BENEFITS PAGE B3-2	NOMENCLATURE PAGE B3-4	SELECTION PAGE B3-5	RELATED PRODUCTS PAGE B3-133
--------------------------------	---------------------------	------------------------	---------------------------------

# SELECTION/DIMENSIONS



## Setscrew Ball Bearings VSCB INTERMEDIATE DUTY PILLOW BLOCKS



**Lube Fitting**  
 203 series - 1/4-28 tapered thread  
 204 series and larger - 1/8-27 NPT

Series	Shaft Size	Standard		No-Lube/Sealed for Life (-NL)	
		Part No.	Description	Part No.	Description
203 (VSC)	1/2	<b>125500</b>	P2B-VSC-008	@	P2B-VSC-008-NL
	5/8	<b>125501</b>	P2B-VSC-010	@	P2B-VSC-010-NL
	17mm	@	P2B-VSC-17M	@	P2B-VSC-17M-NL
204	3/4	<b>123595</b>	P2B-VSCB-012	<b>050833</b>	P2B-VSCB-012-NL
	20mm	@	P2B-VSCB-20M	@	P2B-VSCB-20M-NL
205	7/8	<b>125508</b>	P2B-VSCB-014	@	P2B-VSCB-014-NL
	15/16	<b>125509</b>	P2B-VSCB-015	@	P2B-VSCB-015-NL
	1 25mm	<b>123596</b> @	P2B-VSCB-100 P2B-VSCB-25M	<b>050828</b> @	P2B-VSCB-100-NL P2B-VSCB-25M-NL
206	1-1/8	<b>125510</b>	P2B-VSCB-102	@	P2B-VSCB-102-NL
	1-3/16	<b>123597</b>	P2B-VSCB-103	<b>050829</b>	P2B-VSCB-103-NL
	1-1/4 30mm	<b>123605</b> @	P2B-VSCB-104S P2B-VSCB-30M	@ @	P2B-VSCB-104S-NL 2B-VSCB-30M-NL
207	1-1/4	<b>123598</b>	P2B-VSCB-104	@	P2B-VSCB-104-NL
	1-3/8	<b>125511</b>	P2B-VSCB-106	@	P2B-VSCB-106-NL
	1-7/16 35mm	<b>123599</b> @	P2B-VSCB-107 P2B-VSCB-35M	<b>050830</b> @	P2B-VSCB-107-NL P2B-VSCB-35M-NL
208	1-1/2	<b>123600</b>	P2B-VSCB-108	@	P2B-VSCB-108-NL
	40mm	<b>125690</b>	P2B-VSCB-40M	@	P2B-VSCB-40M-NL
209	1-11/16	<b>125512</b>	P2B-VSCB-111	<b>050848</b>	P2B-VSCB-111-NL
	1-3/4	<b>125507</b>	P2B-VSCB-112	@	P2B-VSCB-112-NL
	45mm	@	P2B-VSCB-45M	<b>068428</b>	P2B-VSCB-45M-NL
210	1-15/16	<b>123601</b>	P2B-VSCB-115	@	P2B-VSCB-115-NL
	2	<b>123602</b>	P2B-VSCB-200	@	P2B-VSCB-200-NL
	50mm	@	P2B-VSCB-50M	@	P2B-VSCB-50M-NL
211	2	<b>123607</b>	P2B-VSCB-200L	@	P2B-VSCB-200L-NL
	2-3/16 55mm	<b>123603</b> @	P2B-VSCB-203 P2B-VSCB-55M	<b>050831</b> @	P2B-VSCB-203-NL P2B-VSCB-55M-NL

@ Assembled to order

FEATURES/BENEFITS PAGE B3-2	NOMENCLATURE PAGE B3-4	SELECTION PAGE B3-5	RELATED PRODUCTS PAGE B3-133
--------------------------------	---------------------------	------------------------	---------------------------------

# SELECTION/DIMENSIONS



## Setscrew Ball Bearings VSCB INTERMEDIATE DUTY PILLOW BLOCKS

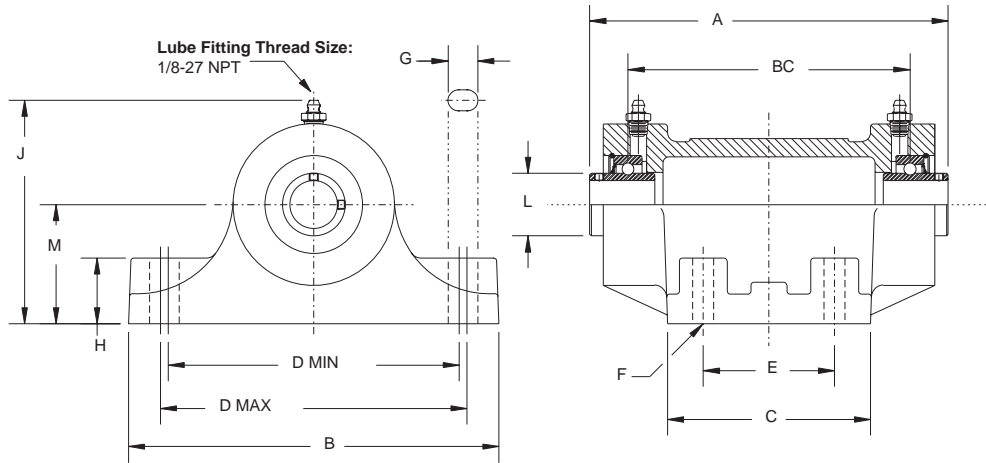
Series	Shaft Size	Weight lbs. kg.	A	B	C	D		F Bolt Dia.	G	H	J	L	M	R	S	U	V	W	X
						Min.	Max.												
203 (VSC)	1/2	1.1	15/16	5	1-13/64	3-1/4	4-1/16	3/8	27/32	15/32	2-17/64	31/32	1-1/16	19/64	41/64	2-1/4	4-1/2	3/8	1/8
	5/8	1.0																	
	17mm	0.5	23.8	127.0	30.6	82.6	103.2	M10	21.4	11.9	54.4	24.6	27.0	7.5	16.3	57.2	114.3	9.5	3.2
204	3/4	1.4	1-1/16	5-1/4	1-21/64	3-3/8	4-3/16	3/8	27/32	29/64	2-1/2	1-1/8	1-1/4	21/64	47/64	2-1/4	4-1/2	1/2	1/8
	20mm	0.6	27.0	133.4	33.7	85.7	106.4	M10	21.4	11.5	63.5	28.6	31.8	8.3	18.7	57.2	114.3	12.7	3.2
205	7/8	1.8	1-3/32	5-1/2	1-13/32	3-11/16	4-1/2	3/8	27/32	29/64	2-21/32	1-5/16	1-5/16	21/64	49/64	2-1/2	5	1/2	3/16
	15/16	1.7																	
	1	1.6																	
	25mm	0.8	27.8	139.7	35.7	93.7	114.3	M10	21.4	11.5	67.5	33.3	33.3	8.3	19.4	63.5	127.0	12.7	4.8
206	1-1/8	2.7	1-19/64	6-1/4	1-47/64	4-1/4	5	1/2	15/16	5/8	3-3/16	1-37/64	1-9/16	25/64	29/32	2-7/8	5-3/4	9/16	3/16
	1-3/16	2.6																	
	1-1/4	2.5																	
	30mm	1.2	32.9	158.8	44.1	108.0	127.0	M12	23.8	15.9	81.0	40.1	39.87	9.9	23.0	73.0	146.1	14.3	4.8
207	1-1/4	4.5	1-7/16	6-1/2	1-47/64	4-11/16	5-7/16	1/2	15/16	41/64	3-11/16	1-27/32	1-13/16	13/32	1-1/32	2-29/32	5-13/16	9/16	3/16
	1-3/8	4.3																	
	1-7/16	4.2																	
	35mm	2.0	36.5	165.1	44.1	119.1	138.1	M12	23.8	16.3	93.7	46.8	46.0	10.3	26.2	73.8	147.6	14.3	4.8
208	1-1/2	5.4	1-9/16	7-1/4	1-15/16	5-3/16	5-7/8	1/2	29/32	3/4	4	2-3/64	1-15/16	15/32	1-3/32	3-17/64	6-17/32	11/16	3/16
	40mm	2.5	39.7	184.2	49.2	131.8	149.2	M12	23.0	19.1	101.6	52.0	49.2	11.9	27.8	82.9	165.9	17.5	4.8
209	1-11/16	6.4	1-19/32	7-7/16	2	5-1/2	6-3/16	1/2	29/32	11/16	4-7/32	2-7/32	2-1/16	15/32	1-1/8	3-3/8	6-3/4	11/16	3/16
	1-3/4	6.2																	
	45mm	3.0	40.5	188.9	50.8	139.7	161.9	M12	23.0	17.5	107.2	56.4	52.4	11.9	28.6	85.7	187.5	17.5	4.8
210	1-15/16	7.2	1-5/8	8-1/8	2-1/4	6	6-11/16	5/8	1-1/64	11/16	4-15/32	2-7/16	2-3/16	15/32	1-5/32	3-11/16	7-3/8	13/16	3/16
	2	7.0																	
	50mm	3.3	41.3	206.4	57.2	152.4	169.9	M16	25.8	17.5	113.5	61.9	55.6	11.9	29.4	93.7	187.3	20.6	4.8
211	2	9.0	1-23/32	8-7/8	2-5/16	6-3/8	7-7/16	5/8	1-7/32	13/16	4-29/32	2-23/32	2-7/16	1/2	1-7/32	3-15/16	7-7/8	13/16	3/16
	2-3/16	8.9																	
	55mm	4.2	43.7	225.4	58.7	161.9	188.9	M16	31.0	20.6	124.6	69.1	61.9	12.7	31.0	100.0	200.0	20.6	4.8

FEATURES/BENEFITS PAGE B3-2	NOMENCLATURE PAGE B3-4	SELECTION PAGE B3-5	RELATED PRODUCTS PAGE B3-133
--------------------------------	---------------------------	------------------------	---------------------------------

# SELECTION/DIMENSIONS



## Setscrew Ball Bearings CC BALL BEARING FAN AND BLOWER PILLOW BLOCKS



Lube Fitting Thread Size:  
1/8-27 NPT

Series	Shaft Size	Part No.	Description
205	15/16	<b>134131</b>	F&B-CC-015
	1	<b>134132</b>	F&B-CC-100
206	1-1/8	<b>134134</b>	F&B-CC-102
	1-3/16	<b>134135</b>	F&B-CC-103
207	1-1/4	<b>134136</b>	F&B-CC-104
	1-3/8	<b>134138</b>	F&B-CC-106
	1-7/16	<b>134139</b>	F&B-CC-107
209	1-11/16	<b>134140</b>	F&B-CC-111
	1-3/4	<b>134141</b>	F&B-CC-112
210	1-15/16	<b>134142</b>	F&B-CC-115
211	2-3/16	<b>134144</b>	F&B-CC-203

# SELECTION/DIMENSIONS



## Setscrew Ball Bearings CC BALL BEARING FAN AND BLOWER PILLOW BLOCKS

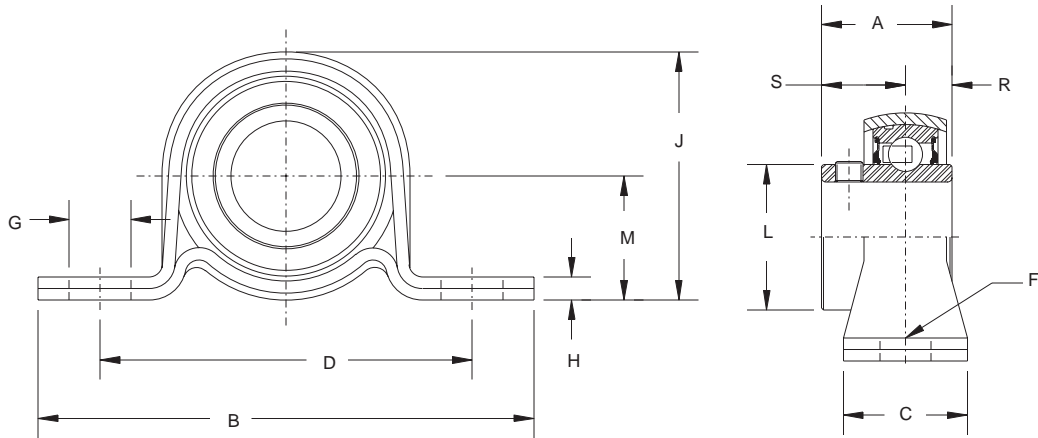
Series	Shaft Size	Weight lbs.	A	B	C	D		E	F Bolt Dia.	G	H	J	L	M	Bearing Centers BC
						Min.	Max.								
205	15/16 1	16.1 16.0	7-1/2	7-3/4	4-1/4	6-1/16	6-7/16	2-3/4	3/8	5/8	1-1/4	4-5/8	1-5/16	2-1/2	5-29/32
206	1-1/8 1-3/16	16.3 16.2	7-25/32	7-3/4	4-1/4	6-1/16	6-7/16	2-3/4	3/8	5/8	1-1/4	4-5/8	1-19/32	2-1/2	5-61/64
207	1-1/4 1-3/8 1-7/16	36.6 36.2 36.0	10-39/64	10	5-1/2	7-3/4	8-1/4	3-1/2	1/2	7/8	1-9/16	5-9/16	1-27/32	3	8-15/32
209	1-11/16 1-3/4	35.0 34.8	10-21/32	10	5-1/2	7-3/4	8-1/4	3-1/2	1/2	7/8	1-9/16	5-9/16	2-9/32	3	8-5/16
210	1-15/16	60.0	13-25/32	12	7	9-1/8	9-7/8	4-1/2	5/8	1-1/8	1-3/4	6-7/16	2-15/32	3-1/2	11-3/8
211	2-3/16	56.0	14-5/32	12	7	9-1/8	9-7/8	4-1/2	5/8	1-1/8	1-3/4	6-7/16	2-3/4	3-1/2	11-3/8

FEATURES/BENEFITS PAGE B3-2	NOMENCLATURE PAGE B3-4	SELECTION PAGE B3-5	RELATED PRODUCTS PAGE B3-133
--------------------------------	---------------------------	------------------------	---------------------------------

# SELECTION/DIMENSIONS



## Setscrew Ball Bearings SL LIGHT DUTY PILLOW BLOCKS



Series	Shaft Size	Part No.	Description
203	1/2	<b>059637</b>	P2B-SL-008
	5/8	<b>128197</b>	P2B-SL-010
	17mm	@	P2BSL-17M
204	3/4	<b>128106</b>	P2B-SL-012
	20mm	@	P2B-SL-20M
205	7/8	<b>128170</b>	P2B-SL-014
	15/16	<b>128171</b>	P2B-SL-015
	1	<b>128107</b>	P2B-SL-100
	25mm	<b>068068</b>	P2B-SL-25M
206	1-1/8	<b>128172</b>	P2B-SL-102
	1-3/16	<b>128108</b>	P2B-SL-103
	1-1/4	<b>128111</b>	P2B-SL-104S
	30mm	@	P2B-SL-30M
207	1-1/4	<b>128109</b>	P2B-SL-104
	1-3/8	<b>128173</b>	P2B-SL-106
	1-7/16	<b>128110</b>	P2B-SL-107
	35mm	@	P2B-SL-35M

@ Assembled to order

FEATURES/BENEFITS PAGE B3-2	NOMENCLATURE PAGE B3-4	SELECTION PAGE B3-5	RELATED PRODUCTS PAGE B3-133
--------------------------------	---------------------------	------------------------	---------------------------------



# SELECTION/DIMENSIONS



## Setscrew Ball Bearings SL LIGHT DUTY PILLOW BLOCKS

Series	Shaft Size	Weight lb. /ks.	A	B	C	D	F Bolt Dia	G	H	J	L	M	R	S	Housing Radial Load Rating (lbs)
203	1/2	0.51	15/16	3-5/8	1	2-11/16	1/4	11/32	0.133	1-11/16	31/32	27/32	19/64	41/64	250
	5/8 17mm	0.49 0.2	23.8	92.1	25.4	68.3	M6	8.7	3.4	42.9	24.6	21.4	7.5	16.3	1,112
204	3/4	0.61	1-1/16	4-1/8	1	3	3/8	1/2	0.178	2-1/16	1-1/8	1	21/64	47/64	350
	20mm	0.3	27.0	104.8	25.4	76.2	M10	12.7	4.5	52.4	28.6	25.4	8.3	18.7	1,556
205	7/8	0.79	1-3/32	4-1/2	1-1/8	3-3/8	3/8	9/16	0.208	2-7/32	1-21/64	1-1/8	21/64	49/64	400
	15/16	0.76													
	1 25mm	0.73 0.4	27.8	114.3	28.6	85.7	M10	14.3	5.3	56.4	33.7	28.6	8.3	19.4	1,779
206	1-1/8	1.14	1-19/64	4-7/8	1-1/8	3-3/4	3/8	9/16	0.238	2-5/8	1-37/64	1-5/16	25/64	29/32	600
	1-3/16	1.12													
	1-1/4	1.10													
	30mm	0.5	32.9	123.8	28.6	95.3	M10	14.3	6.0	66.7	40.1	33.3	9.9	23.0	2,668
207	1-1/4	1.54	1-7/16	5-3/4	1-1/4	4-1/4	1/2	3/4	0.238	3-1/8	1-27/32	1-9/16	13/32	1-1/32	800
	1-3/8	1.50													
	1-7/16	1.48													
	35mm	0.7	36.5	146.1	31.8	108.0	M12	19.1	6.0	79.4	46.8	39.7	10.3	26.2	3,557

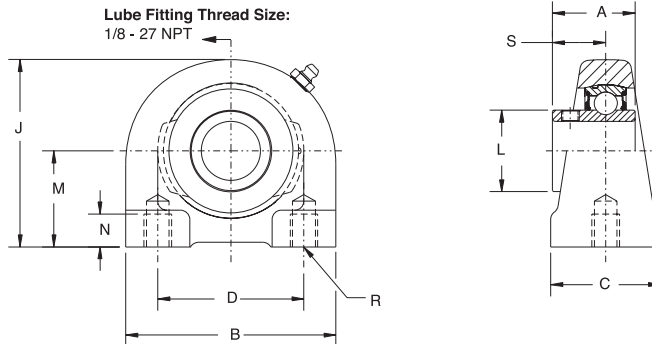
FEATURES/BENEFITS PAGE B3-2	NOMENCLATURE PAGE B3-4	SELECTION PAGE B3-5	RELATED PRODUCTS PAGE B3-133
--------------------------------	---------------------------	------------------------	---------------------------------

# SELECTION/DIMENSIONS

# DODGE®



## Setscrew Ball Bearings SC NORMAL DUTY TAPPED BASE PILLOW BLOCKS



Series	Shaft Size	Part No.	Description
204	1/2	<b>124460</b>	TB-SC-008
	5/8	<b>124461</b>	TB-SC-010
	3/4	<b>124462</b>	TB-SC-012
	20mm	<b>130354</b>	<i>TB-SC-20M</i>
205	7/8	<b>124463</b>	TB-SC-014
	15/16	<b>124464</b>	TB-SC-015
	1	<b>124465</b>	TB-SC-100
	25mm	<b>130355</b>	<i>TB-SC-25M</i>
206	1-1/16	<b>124466</b>	TB-SC-101
	1-1/8	<b>124467</b>	TB-SC-102
	1-3/16	<b>124468</b>	TB-SC-103
	1-1/4	<b>124469</b>	TB-SC-104S
	30mm	<b>130356</b>	<i>TB-SC-30M</i>
207	1-1/4	<b>124470</b>	TB-SC-104
	1-5/16	<b>124471</b>	TB-SC-105
	1-3/8	<b>124472</b>	TB-SC-106
	1-7/16	<b>124473</b>	TB-SC-107
	35mm	<b>130357</b>	<i>TB-SC-35M</i>
208	1-1/2	<b>124479</b>	TB-SC-108
	1-5/8	<b>128998</b>	TB-SC-110
	40mm	<b>130358</b>	<i>TB-SC-40M</i>
209	1-5/8	<b>049859</b>	TB-SC-110L
	1-11/16	<b>054548</b>	TB-SC-111
	1-3/4	<b>054781</b>	TB-SC-112
	45mm	<b>130359</b>	<i>TB-SC-45M</i>
210	1-15/16	<b>124478</b>	TB-SC-115
	2	<b>052472</b>	TB-SC-200
	50mm	<b>130360</b>	<i>TB-SC-50M</i>
211	2	<b>124480</b>	TB-SC-200L
	2-3/16	<b>050386</b>	TB-SC-203
	2-1/4	<b>054436</b>	TB-SC-204
	55mm	<b>130361</b>	<i>TB-SC-55M</i>

FEATURES/BENEFITS  
PAGE B3-2

NOMENCLATURE  
PAGE B3-4

SELECTION  
PAGE B3-5

RELATED PRODUCTS  
PAGE B3-133

# SELECTION/DIMENSIONS



## Setscrew Ball Bearings SC NORMAL DUTY TAPPED BASE PILLOW BLOCKS

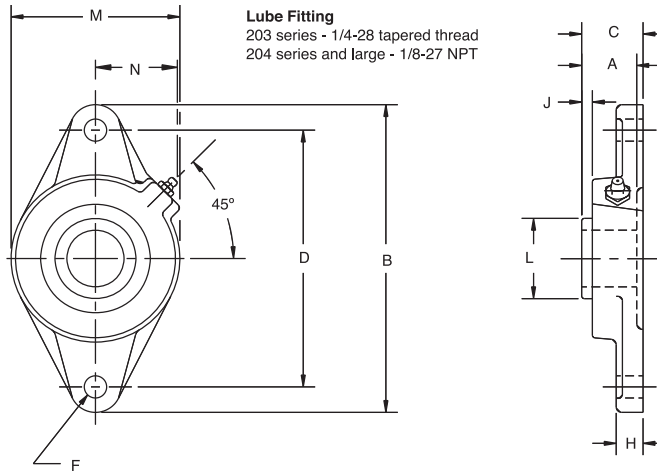
Series	Shaft Size	Weight lbs. kgs.	A	B	C	D	J	L	M	N	R	S
204	1/2	1.56	1-5/32	2-7/8	1-1/2	2	2-9/16	1-1/8	1-5/16	1/2	3/8 - 16	47/64
	5/8	1.53										
	3/4	1.50										
	20mm	0.06	29.4	73.0	38.1	50.8	65.1	28.6	33.3	12.7	M8x1.25	18.7
205	7/8	1.93	1-3/16	3	1-1/2	2.0	2-13/16	1-21/64	1-7/16	1/2	3/8 - 16	49/64
	15/16	1.90										
	1	1.87										
	25mm	0.07	30.2	76.2	38.1	50.8	71.4	33.7	36.5	12.7	M10x1.5	19.4
206	1-1/16	2.66	1-25/64	4	1-1/2	3.0	3-3/8	1-37/64	1-11/16	5/8	7/16 - 14	29/32
	1-1/8	2.62										
	1-3/16	2.59										
	30mm	0.10	35.3	101.6	38.1	76.2	85.7	40.1	42.9	15.9	M10x1.5	23.0
207	1-1/4	3.41	1-17/32	4-1/4	1-7/8	3-1/4	3-3/4	1-27/32	1-7/8	3/4	1/2 - 13	1-1/32
	1-5/16	3.36										
	1-3/8	3.34										
	35mm	0.13	38.9	108.0	47.6	82.6	95.3	46.8	47.6	19.1	M10x1.5	26.2
208	1-1/2	4.10	1-11/16	4-5/8	1-7/8	3-1/2	3-15/16	2-3/64	1-15/16	3/4	1/2-13	1-3/32
	1-5/8	4.00										
	40mm	0.16	42.9	117.5	47.6	88.9	100.0	52.0	49.2	19.1	M12x1.75	27.8
	209	1-5/8	5.20	1-23/32	5	2	3-3/4	4-1/4	2-7/32	2-1/8	3/4	1/2-13
1-11/16		5.00										
1-3/4		4.90										
45mm		0.20	43.7	127.0	50.8	95.3	108.0	56.4	54.0	19.1	M12x1.75	28.6
210	1-15/16	5.40	1-3/4	5-1/2	2	4	4-5/8	2-7/16	2-1/4	7/8	5/8-11	1-5/32
	2	5.20										
	50mm	0.21	44.5	139.7	50.8	101.6	117.5	61.9	57.2	22.2	M16x2	29.4
	211	2	6.70	1-27/32	5-1/2	2	4	4-5/8	2-23/32	2-1/4	7/8	5/8 - 11
2-3/16		6.50										
2-1/4		6.30										
55mm		0.25	46.8	139.7	50.8	101.6	117.5	69.1	57.2	22.2	M16x2	31.0

FEATURES/BENEFITS PAGE B3-2	NOMENCLATURE PAGE B3-4	SELECTION PAGE B3-5	RELATED PRODUCTS PAGE B3-133
--------------------------------	---------------------------	------------------------	---------------------------------

# SELECTION/DIMENSIONS



## Setscrew Ball Bearings SC NORMAL DUTY 2-BOLT FLANGE BEARINGS



Series	Shaft Size	Standard		No-Lube/Sealed for Life (-NL)		With Flingers	
		Part No.	Description	Part No.	Description	Part No.	Description
203	1/2	<b>124198</b>	F2B-SC-008	@	F2B-SC-008-NL	@	F2B-SC-008-FF
	5/8	<b>124199</b>	F2B-SC-010	<b>124256</b>	F2B-SC-010-NL	@	F2B-SC-010-FF
	17mm	<b>125875</b>	F2B-SC-17M	@	F2B-SC-17M-NL	@	F2B-SC-17M-FF
204	1/2	<b>124166</b>	F2B-SC-008L	<b>052220</b>	F2B-SC-008L-NL	@	F2B-SC-008L-FF
	5/8	<b>124167</b>	F2B-SC-010L	<b>124176</b>	F2B-SC-010L-NL	@	F2B-SC-010L-FF
	3/4	<b>124170</b>	F2B-SC-012	<b>124175</b>	F2B-SC-012-NL	<b>057279</b>	F2B-SC-012-FF
	20mm	<b>125876</b>	F2B-SC-20M	<b>050119</b>	F2B-SC-20M-NL	@	F2B-SC-20M-FF
205	7/8	<b>124171</b>	F2B-SC-014	<b>126516</b>	F2B-SC-014-NL	<b>052542</b>	F2B-SC-014-FF
	15/16	<b>124172</b>	F2B-SC-015	@	F2B-SC-015-NL	<b>054731</b>	F2B-SC-015-FF
	1	<b>124173</b>	F2B-SC-100	<b>124174</b>	F2B-SC-100-NL	<b>124391</b>	F2B-SC-100-FF
	25mm	<b>125877</b>	F2B-SC-25M	<b>124785</b>	F2B-SC-25M-NL	<b>068465</b>	F2B-SC-25M-FF
206	1-1/16	<b>124410</b>	F2B-SC-101	@	F2B-SC-101-NL	@	F2B-SC-101-FF
	1-1/8	<b>124274</b>	F2B-SC-102	<b>065766</b>	F2B-SC-102-NL	<b>050554</b>	F2B-SC-102-FF
	1-3/16	<b>124275</b>	F2B-SC-103	<b>124614</b>	F2B-SC-103-NL	@	F2B-SC-103-FF
	1-1/4	<b>123172</b>	F2B-SC-104S	@	F2B-SC-104S-NL	<b>051968</b>	F2B-SC-104S-FF
30mm	<b>125878</b>	F2B-SC-30M	<b>126102</b>	F2B-SC-30M-NL	@	F2B-SC-30M-FF	
207	1-1/4	<b>124276</b>	F2B-SC-104	<b>126518</b>	F2B-SC-104-NL	<b>052664</b>	F2B-SC-104-FF
	1-5/16	<b>124411</b>	F2B-SC-105	@	F2B-SC-105-NL	@	F2B-SC-105-FF
	1-3/8	<b>124277</b>	F2B-SC-106	<b>126519</b>	F2B-SC-106-NL	<b>067807</b>	F2B-SC-106-FF
	1-7/16	<b>124278</b>	F2B-SC-107	<b>124618</b>	F2B-SC-107-NL	<b>124456</b>	F2B-SC-107-FF
	35mm	<b>125879</b>	F2B-SC-35M	<b>067663</b>	F2B-SC-35M-NL	@	F2B-SC-35M-FF

@Assembled to order

FEATURES/BENEFITS PAGE B3-2	NOMENCLATURE PAGE B3-4	SELECTION PAGE B3-5	RELATED PRODUCTS PAGE B3-133
--------------------------------	---------------------------	------------------------	---------------------------------

# SELECTION/DIMENSIONS



## Setscrew Ball Bearings SC NORMAL DUTY 2-BOLT FLANGE BEARINGS

Bearing Quick Reference

E-Z KLEEN

GRIP TIGHT Adapter Ball Bearing

Set Screw Ball Bearing

Eccentric Collar Ball Bearing

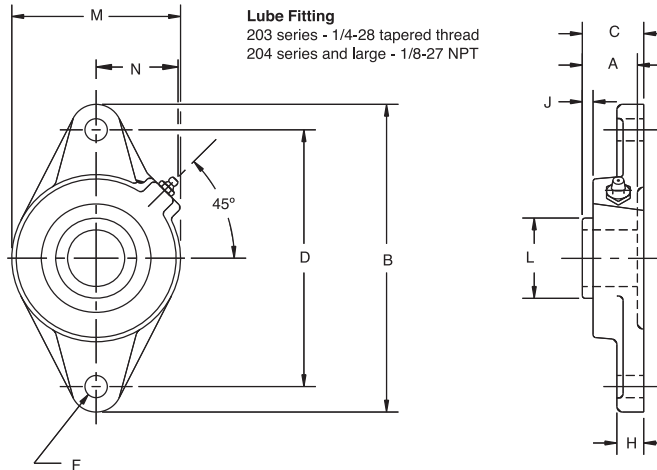
Series	Shaft Size	Weight lbs. kgs.	A	B	C	D	F Bolt Dia.	H	J	L	M	N
203	1/2	0.8	1	3-7/8	1-3/16	3	3/8	3/8	11/32	31/32	2-1/8	1-1/8
	5/8	0.7										
	17mm	0.3	25.4	98.4	30.2	76.2	M10	9.5	8.7	24.6	54.0	28.6
204	1/2	1.6	1-5/32	4-13/32	1-3/8	3-17/32	3/8	1/2	25/64	1-1/8	2-3/8	1-1/2
	5/8	1.5										
	3/4	1.4										
	20mm	0.5	29.4	111.9	34.6	89.7	M10	12.7	9.6	28.6	60.3	38.1
205	7/8	1.6	1-3/16	4-7/8	1-11/32	3-57/64	7/16	1/2	25/64	1-21/64	2-3/4	1-7/16
	15/16	1.5										
	1	1.4										
206	25mm	0.6	30.2	123.8	34.1	98.8	M10	12.7	9.9	33.7	69.9	36.5
	1-1/16	2.3	1-25/64	5-9/16	1-17/32	4-19/32	7/16	1/2	15/32	1-37/64	3-1/8	1-9/16
	1-1/8	2.2										
	1-3/16	2.1										
	1-1/4	2.0										
30mm	1.0	35.3	141.3	38.8	116.7	M12	12.7	11.6	40.1	79.4	39.7	
207	1-1/4	3.5	1-17/32	6-1/8	1-3/4	5-1/8	1/2	9/16	17/32	1-27/32	3-3/4	1-27/32
	1-5/16	3.4										
	1-3/8	3.2										
	1-7/16	3.1										
	35mm	1.5	38.9	155.6	44.5	130.2	M12	14.3	13.4	46.8	95.3	46.8

FEATURES/BENEFITS PAGE B3-2	NOMENCLATURE PAGE B3-4	SELECTION PAGE B3-5	RELATED PRODUCTS PAGE B3-133
--------------------------------	---------------------------	------------------------	---------------------------------

# SELECTION/DIMENSIONS



## Setscrew Ball Bearings SC NORMAL DUTY 2-BOLT FLANGE BEARINGS



Series	Shaft Size	Standard		No-Lube/Sealed for Life (-NL)		With Flingers	
		Part No.	Description	Part No.	Description	Part No.	Description
208	1-1/2	<b>124268</b>	F2B-SC-108	<b>052011</b>	F2B-SC-108-NL	<b>124457</b>	F2B-SC-108-FF
	1-5/8	<b>124412</b>	F2B-SC-110	@	F2B-SC-110-NL	@	F2B-SC-110-FF
	40mm	<b>125880</b>	F2B-SC-40M	<b>126042</b>	F2B-SC-40M-NL	@	F2B-SC-40M-FF
209	1-5/8	<b>125171</b>	F2B-SC-110L	@	F2B-SC-110L-NL	@	F2B-SC-110L-FF
	1-11/16	<b>124279</b>	F2B-SC-111	<b>067666</b>	F2B-SC-111-NL	<b>057849</b>	F2B-SC-111-FF
	1-3/4	<b>124413</b>	F2B-SC-112	<b>126521</b>	F2B-SC-112-NL	<b>124455</b>	F2B-SC-112-FF
	1-13/16	<b>124280</b>	F2B-SC-113	<b>067019</b>	F2B-SC-113-NL	@	F2B-SC-113-FF
	45mm	<b>125881</b>	F3B-SC-45M	@	F2B-SC-45M-NL	@	F2B-SC-45M-FF
210	1-15/16	<b>124269</b>	F2B-SC-115	<b>126522</b>	F2B-SC-115-NL	@	F2B-SC-115-FF
	2	<b>124270</b>	F2B-SC-200	<b>126523</b>	F2B-SC-200-NL	<b>124542</b>	F2B-SC-200-FF
	50mm	<b>125882</b>	F2B-SC-50M	@	F2B-SC-50M-NL	@	F2B-SC-50M-FF
211	2	<b>126293</b>	F2B-SCM-200	<b>065595</b>	F2B-SCM-200-NL	<b>058986</b>	F2B-SCM-200-FF
	2-3/16	<b>124034</b>	F2B-SC-203	<b>067959</b>	F2B-SC-203-NL	@	F2B-SC-203-FF
	2-1/4	<b>124373</b>	F2B-SC-204	@	F2B-SC-204-NL	@	F2B-SC-204-FF
	55mm	<b>124942</b>	F2B-SC-55M	@	F2B-SC-55M-NL	@	F2B-SC-55M-FF
212	2-1/4	@	F2B-SCM-204	@	F2B-SCM-204-NL	@	F2B-SCM-204-FF
	2-7/16	<b>053175</b>	F2B-SC-207	<b>049437</b>	F2B-SC-207-NL	@	F2B-SC-207-FF
	60mm	<b>053883</b>	F2B-SC-60M	@	F2B-SC-60M-NL	@	F2B-SC-60M-FF

@Assembled to order

FEATURES/BENEFITS  
PAGE B3-2

NOMENCLATURE  
PAGE B3-4

SELECTION  
PAGE B3-5

RELATED PRODUCTS  
PAGE B3-133

# SELECTION/DIMENSIONS



## Setscrew Ball Bearings SC NORMAL DUTY 2-BOLT FLANGE BEARINGS

Bearing Quick Reference

E-Z KLEEN

GRIP TIGHT Adapter Ball Bearing

Set Screw Ball Bearing

Eccentric Collar Ball Bearing

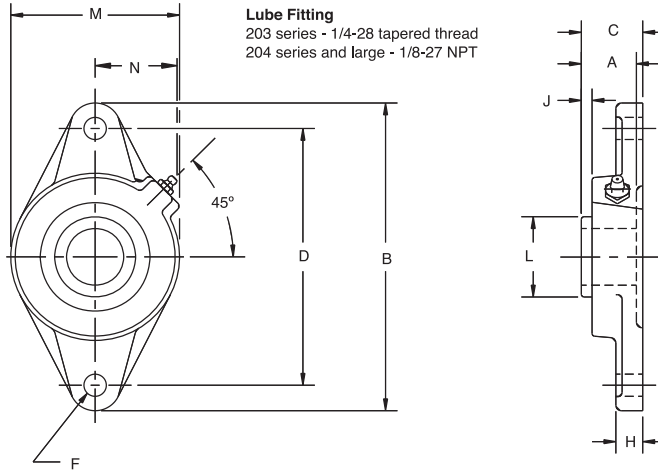
Series	Shaft Size	Weight lbs. kgs.	A	B	C	D	F Bolt Dia.	H	J	L	M	N
208	1-1/2	4.1	1-11/16	6-3/4	1-7/8	5-21/32	1/2	9/16	17/32	2-3/64	4-1/8	1-53/64
	1-5/8 40mm	4.0 1.8	42.9	171.5	47.5	143.7	M12	14.3	13.4	52.0	104.8	46.4
209	1-5/8	5.2	1-23/32	7-1/16	1-15/16	5-27/32	1/2	5/8	17/32	2-7/32	4-3/8	1-29/32
	1-11/16	5.0										
	1-3/4	4.9										
	1-13/16 45mm	4.7 2.2	43.7	179.4	49.2	148.4	M14	15.9	13.4	56.4	111.1	48.4
210	1-15/16	5.4	1-3/4	7-7/16	2	6-3/16	1/2	5/8	17/32	2-7/16	4-9/16	2-1/32
	2 50mm	5.2 2.5	44.5	188.9	50.7	157.2	M16	15.9	13.4	61.9	115.9	51.6
211	2	6.7	1-27/32	8-5/8	2-5/32	7-1/4	5/8	11/16	9/16	2-23/32	5-1/4	2-17/64
	2-3/16	6.5										
	2-1/4 55mm	6.3 3.0	46.8	219.1	54.8	184.2	M16	17.5	14.3	69.1	133.4	57.5
212	2-1/4	7.4	1-63/64	9-13/16	2-9/32	7-61/64	7/8	13/16	9/16	2-31/32	5-1/2	2-15/32
	2-7/16 60mm	7.0 3.4	50.4	249.2	57.9	202.0	M22	20.6	14.3	75.4	139.7	62.7

FEATURES/BENEFITS PAGE B3-2	NOMENCLATURE PAGE B3-4	SELECTION PAGE B3-5	RELATED PRODUCTS PAGE B3-133
--------------------------------	---------------------------	------------------------	---------------------------------

# SELECTION/DIMENSIONS



## Setscrew Ball Bearings SCAH NORMAL DUTY AIR HANDLING 2-BOLT FLANGE BEARINGS



Series	Shaft Size	Part No.	Description
203	1/2	@	F2B-SCAH-008
	5/8	<b>049742</b>	F2B-SCAH-010
	17mm	<b>056902</b>	F2B-SCAH-17M
204	1/2	@	F2B-SCAH-008L
	5/8	@	F2B-SCAH-010L
	3/4	<b>123730</b>	F2B-SCAH-012
	20mm	@	F2B-SCAH-20M
205	7/8	@	F2B-SCAH-014
	15/16	<b>124244</b>	F2B-SCAH-015
	1	<b>123731</b>	F2B-SCAH-100
	25mm	@	F2B-SCAH-25M
206	1-1/16	@	F2B-SCAH-101
	1-1/8	@	F2B-SCAH-102
	1-3/16	<b>123732</b>	F2B-SCAH-103
	1-1/4	<b>123184</b>	F2B-SCAH-104S
	30mm	@	F2B-SCAH-30M
207	1-1/4	<b>123733</b>	F2B-SCAH-104
	1-5/16	@	F2B-SCAH-105
	1-3/8	@	F2B-SCAH-106
	1-7/16	<b>123734</b>	F2B-SCAH-107
	35mm	@	F2B-SCAH-35M

@ Assembled to order

FEATURES/BENEFITS PAGE B3-2	NOMENCLATURE PAGE B3-4	SELECTION PAGE B3-5	RELATED PRODUCTS PAGE B3-133
--------------------------------	---------------------------	------------------------	---------------------------------



# SELECTION/DIMENSIONS



## Setscrew Ball Bearings SCAH NORMAL DUTY AIR HANDLING 2-BOLT FLANGE BEARINGS

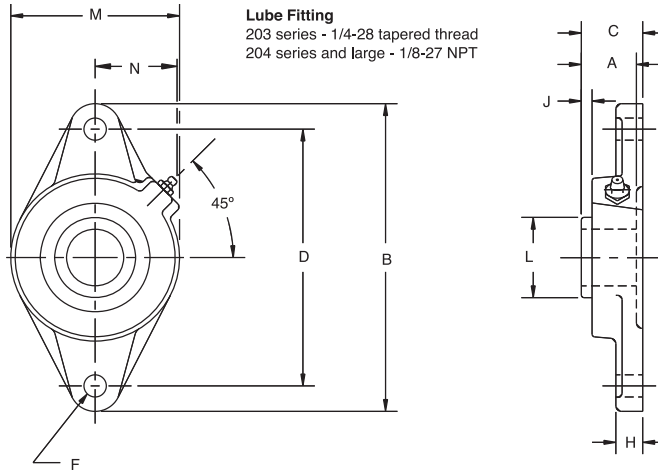
Series	Shaft Size	Weight lbs. kgs	A	B	C	D	F Bolt Dia.	H	J	L	M	N
203	1/2	0.8	1	3-7/8	1-3/16	3	3/8	3/8	11/32	31/32	2-1/8	1-1/8
	5/8	0.7										
	17mm	0.3	25.4	98.4	30.2	76.2	M10	9.5	8.7	24.6	54.0	28.6
204	1/2	1.6	1-5/32	4-13/32	1-3/8	3-17/32	3/8	1/2	25/64	1-1/8	2-3/8	1-1/2
	5/8	1.5										
	3/4	1.4										
	20mm	0.5	29.4	111.9	34.6	89.7	M10	12.7	9.6	28.6	60.3	38.1
205	7/8	1.6	1-3/16	4-7/8	1-11/32	3-57/64	7/16	1/2	25/64	1-21/64	2-3/4	1-7/16
	15/16	1.5										
	1	1.4										
	25mm	0.6	30.2	123.8	34.1	98.8	M10	12.7	9.9	33.7	69.9	36.5
206	1-1/16	2.3	1-25/64	5-9/16	1-17/32	4-19/32	7/16	1/2	15/32	1-37/64	3-1/8	1-9/16
	1-1/8	2.2										
	1-3/16	2.1										
	1-1/4	2.0										
	30mm	1.0	35.3	141.3	38.8	116.7	M12	12.7	11.6	40.1	79.4	39.7
207	1-1/4	3.5	1-17/32	6-1/8	1-3/4	5-1/8	1/2	9/16	17/32	1-27/32	3-3/4	1-27/32
	1-5/16	3.4										
	1-3/8	3.2										
	1-7/16	3.1										
	35mm	1.5	38.9	155.6	44.5	130.2	M12	14.3	13.4	46.8	95.3	46.8

FEATURES/BENEFITS PAGE B3-2	NOMENCLATURE PAGE B3-4	SELECTION PAGE B3-5	RELATED PRODUCTS PAGE B3-133
--------------------------------	---------------------------	------------------------	---------------------------------

# SELECTION/DIMENSIONS



## Setscrew Ball Bearings SCAH NORMAL DUTY AIR HANDLING 2-BOLT FLANGE BEARINGS



Series	Shaft Size	Part No.	Description
208	1-1/2	<b>123735</b>	F2B-SCAH-108
	1-5/8	@	F2B-SCAH-110
	40mm	@	F2B-SCAH-40M
209	1-5/8	@	F2B-SCAH-110L
	1-11/16	<b>123736</b>	F2B-SCAH-111
	1-3/4	<b>123737</b>	F2B-SCAH-112
	45mm	@	F2B-SCAH-45M
210	1-15/16	<b>123738</b>	F2B-SCAH-115
	2	@	F2B-SCAH-200
	50mm	@	F2B-SCAH-50M
211	2	@	F2B-SCMAH-200
	2/3/16	<b>124794</b>	F2B-SCAH-203
	2-1/4	@	F2B-SCAH-204
	55mm	@	F2B-SCAH-55M
212	2-1/4	@	F2B-SCMAH-204
	2-7/16	<b>057707</b>	F2B-SCAH-207
	60mm	@	F2B-SCAH-60M

@ Assembled to order

FEATURES/BENEFITS PAGE B3-2	NOMENCLATURE PAGE B3-4	SELECTION PAGE B3-5	RELATED PRODUCTS PAGE B3-133
--------------------------------	---------------------------	------------------------	---------------------------------

# SELECTION/DIMENSIONS



## Setscrew Ball Bearings SCAH NORMAL DUTY AIR HANDLING 2-BOLT FLANGE BEARINGS

Bearing Quick Reference

E-Z KLEEN

GRIP TIGHT Adapter Ball Bearing

Set Screw Ball Bearing

Eccentric Collar Ball Bearing

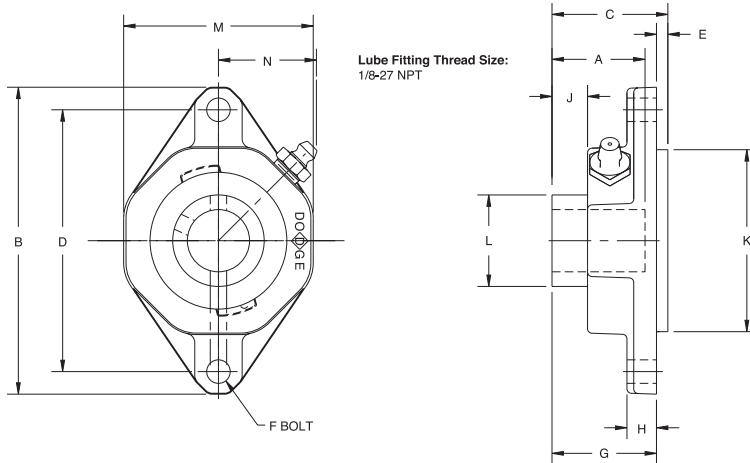
Series	Shaft Size	Weight lbs. kgs	A	B	C	D	F Bolt Dia.	H	J	L	M	N
208	1-1/2	4.1	1-11/16	6-3/4	1-7/8	5-21/32	1/2	9/16	17/32	2-3/64	4-1/8	1-53/64
	1-5/8 40mm	4.0 1.8	42.9	171.5	47.5	143.7	M12	14.3	13.4	52.0	104.8	46.4
209	1-5/8	5.2	1-23/32	7-1/16	1-15/16	5-27/32	1/2	5/8	17/32	2-7/32	4-3/8	1-29/32
	1-11/16	5.0										
	1-3/4 45mm	4.9 2.2	43.7	179.4	49.2	148.4	M14	15.9	13.4	56.4	111.1	48.4
210	1-15/16	5.4	1-3/4	7-7/16	2	6-3/16	1/2	5/8	17/32	2-7/16	4-9/16	2-1/32
	2	5.2										
	50mm	2.5	44.5	188.9	50.7	157.2	M16	15.9	13.4	61.9	115.9	51.6
211	2	6.7	1-27/32	8-5/8	2-5/32	7-1/4	5/8	11/16	9/16	2-23/32	5-1/4	2-17/64
	2 3/16	6.4										
	2-1/4 55mm	6.3 3.0	46.8	219.1	54.8	184.2	M16	17.5	14.3	69.1	133.4	57.5
212	2-1/4	7.4	1-63/64	9-13/16	2-9/32	7-61/64	7/8	13/16	9/16	2-31/32	5-1/2	2-15/32
	2-7/16	7.0										
	60mm	3.4	50.4	249.2	57.9	202.0	M22	20.6	14.3	75.4	139.7	62.7

FEATURES/BENEFITS PAGE B3-2	NOMENCLATURE PAGE B3-4	SELECTION PAGE B3-5	RELATED PRODUCTS PAGE B3-133
--------------------------------	---------------------------	------------------------	---------------------------------

# SELECTION/DIMENSIONS



## Setscrew Ball Bearings SC NORMAL DUTY 2-BOLT PILOTED FLANGE BEARINGS



Series	Shaft Size	Part No.	Description
204	1/2	@	F2BZ-SC-008
	5/8	<b>064775</b>	F2BZ-SC-010
	3/4	<b>062648</b>	F2BZ-SC-012
	20mm	<b>130367</b>	F2BZ-SC-20M
205	7/8	@	F2BZ-SC-014
	15/16	@	F2BZ-SC-015
	1	<b>056929</b>	F2BZ-SC-100
	25mm	<b>130368</b>	F2BZ-SC-25M
206	1-1/8	<b>049926</b>	F2BZ-SC-102
	1-3/16	<b>064480</b>	F2BZ-SC-103
	1-1/4	@	F2BZ-SC-104S
	30mm	<b>130369</b>	F2BZ-SC-30M
207	1-1/4	<b>064089</b>	F2BZ-SC-104
	1-3/8	@	F2BZ-SC-106
	1-7/16	@	F2BZ-SC-107
	35mm	<b>130370</b>	F2BZ-SC-35M
208	1-1/2	<b>062686</b>	F2BZ-SC-108
	1-5/8	@	F2BZ-SC-110
	40mm	<b>130371</b>	F2BZ-SC-40M
209	1-5/8	@	F2BZ-SC-110L
	1-11/16	<b>068839</b>	F2BZ-SC-111
	1-3/4	@	F2BZ-SC-112
	45mm	<b>130372</b>	F2BZ-SC-45M
210	1-15/16	<b>056845</b>	F2BZ-SC-115
	2	@	F2BZ-SC-200
	50mm	<b>130373</b>	F2BZ-SC-50M

@ Assembled to order

FEATURES/BENEFITS PAGE B3-2	NOMENCLATURE PAGE B3-4	SELECTION PAGE B3-5	RELATED PRODUCTS PAGE B3-133
--------------------------------	---------------------------	------------------------	---------------------------------

# SELECTION/DIMENSIONS



## Setscrew Ball Bearings SC NORMAL DUTY 2-BOLT PILOTED FLANGE BEARINGS

Series	Shaft Size	Weight lbs kg	A	B	C	D	E	F Bolt Dia	G	H	J	K	L	M	N
204	1/2	1.2	1-5/32	4-27/64	1-31/64	3-17/32	0.138	3/8	1-11/32	29/64	21/64	2.1654	1-1/8	2-3/8	1-3/8
	5/8	1.2													
	3/4	1.1													
	20mm	0.3	29.4	112.3	37.6	89.7	3.5	M10	34.1	11.5	8.3	55	28.6	60.3	34.9
205	7/8	1.4	1-3/16	4-7/8	1-33/64	3-57/64	0.138	7/16	1-1/4	29/64	23/64	2.3622	1-21/64	2-3/4	1-9/16
	15/16	1.4													
	1	1.4													
	25mm	0.6	30.2	123.8	38.3	98.8	3.5	M10	34.8	11.5	9.1	60	33.7	69.9	39.7
206	1-1/8	1.8	1-25/64	5-9/16	1-49/64	4-19/32	0.118	7/16	1-21/32	1/2	25/64	3.1496	1-37/64	3-1/4	1-3/4
	1-3/16	1.8													
	1-1/4	1.8													
	30mm	0.8	35.3	141.3	44.8	116.7	3.0	M10	41.8	12.7	9.9	80	40.1	82.6	44.5
207	1-1/4	2.7	1-17/32	6-1/8	1-55/64	5-1/8	0.158	1/2	1-45/64	31/64	17/32	3.5433	1-27/32	3-3/4	1-57/64
	1-3/8	2.6													
	1-7/16	2.6													
	35mm	1.2	38.9	155.6	47.2	130.2	4.0	M12	43.2	12.3	13.5	90	46.8	95.3	48.0
208	1-1/2	3.9	1-11/16	6-3/4	2-3/64	5-21/32	0.158	1/2	1-57/64	1/2	1/2	3.9370	2-3/64	4-1/8	1-7/8
	1-5/8	3.8													
	40mm	1.7	42.9	171.5	51.8	143.7	4.0	M12	48.0	12.7	12.7	100	52.0	104.8	47.6
	1-5/8	4.2	1-23/32	7-1/16	2-5/64	5-27/32	0.158	9/16	1-59/64	31/64	17/32	4.1339	2-7/32	4-3/8	1-31/32
209	1-11/16	4.1													
	1-3/4	4.1													
	45mm	2.5	43.7	179.4	52.86	148.4	4.0	M12	48.8	12.3	13.5	105	56.4	111.1	50.0
	1-15/16	3.6	1-3/4	7-7/16	2-17/64	6-3/16	0.158	9/16	2-7/64	5/8	1/2	4.1339	2-7/16	4-9/16	2-1/32
210	2	4.4													
	50mm	2.6	44.5	188.9	57.4	157.2	4.0	M16	53.4	15.9	12.7	105	61.9	115.9	51.6

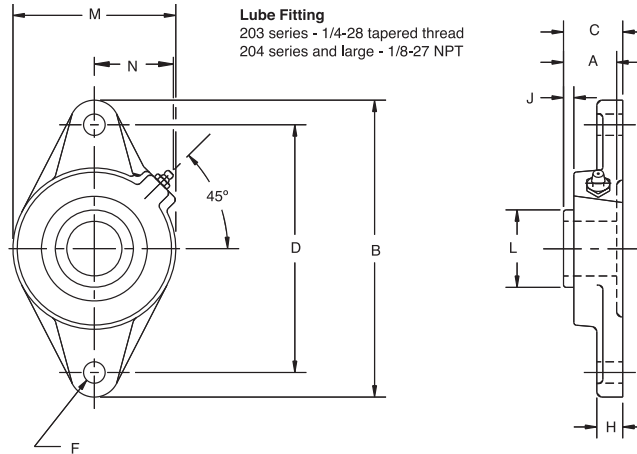
FEATURES/BENEFITS PAGE B3-2	NOMENCLATURE PAGE B3-4	SELECTION PAGE B3-5	RELATED PRODUCTS PAGE B3-133
--------------------------------	---------------------------	------------------------	---------------------------------

# SELECTION/DIMENSIONS

# DODGE®



## Setscrew Ball Bearings SCM MEDIUM DUTY 2-BOLT FLANGE BEARINGS



Series	Shaft Size	Standard		Sealed for Life		With Flingers	
		Part No.	Description	Part No.	Description	Part No.	Description
206	1 25mm	<b>126284</b>	F2B-SCM-100	@	F2B-SCM-100-NL	<b>052616</b>	F2B-SCM-100-FF
		<b>125954</b>	F2B-SCM-25M	@	F2B-SCM-25M-NL	@	F2B-SCM-25M-FF
207	1-3/16	<b>126285</b>	F2B-SCM-103	@	F2B-SCM-103-NL	@	F2B-SCM-103-FF
	1-1/4	<b>124276</b>	F2B-SC-104	<b>126518</b>	F2B-SC-104-NL	<b>052664</b>	F2B-SC-104-FF
	30mm	<b>125955</b>	F2B-SCM-30M	@	F2B-SCM-30M-NL	@	F2B-SCM-30M-FF
208	1-7/16	<b>126287</b>	F2B-SCM-107	@	F2B-SCM-107-NL	<b>056645</b>	F2B-SCM-107-FF
	35mm	<b>125956</b>	F2B-SCM-35M	@	F2B-SCM-35M-NL	@	F2B-SCM-35M-FF
209	1-1/2	<b>126288</b>	F2B-SCM-108	<b>126536</b>	F2B-SCM-108-NL	@	F2B-SCM-108-FF
	1-5/8	<b>125171</b>	F2B-SC-110L	@	F2B-SC-110L-NL	@	F2B-SC-110L-FF
	40mm	<b>125957</b>	F2B-SCM-40M	<b>067674</b>	F2B-SCM-40M-NL	@	F2B-SCM-40M-FF
210	1-11/16	<b>126289</b>	F2B-SCM-111	@	F2B-SCM-111-NL	@	F2B-SCM-111-FF
	1-3/4	<b>126290</b>	F2B-SCM-112	@	F2B-SCM-112-NL	@	F2B-SCM-112-FF
	45mm	<b>125958</b>	F2B-SCM-45M	@	F2B-SCM-45M-NL	@	F2B-SCM-45M-FF
211	1-15/16	<b>126292</b>	F2B-SCM-115	@	F2B-SCM-115-NL	@	F2B-SCM-115-FF
	2	<b>126293</b>	F2B-SCM-200	<b>065595</b>	F2B-SCM-200-NL	<b>058986</b>	F2B-SCM-200-FF
	50mm	<b>125960</b>	F2B-SCM-50M	@	F2B-SCM-50M-NL	@	F2B-SCM-50M-FF
212	2-3/16	@	F2B-SCM-203	@	F2B-SCM-203-NL	@	F2B-SCM-203-FF
	2-1/4	@	F2B-SCM-204	@	F2B-SCM-204-NL	@	F2B-SCM-204-FF
	55mm	@	F2B-SCM-55M	@	F2B-SCM-55M-NL	@	F2B-SCM-55M-FF

@ Assembled to order

FEATURES/BENEFITS  
PAGE B3-2

NOMENCLATURE  
PAGE B3-4

SELECTION  
PAGE B3-5

RELATED PRODUCTS  
PAGE B3-133

# SELECTION/DIMENSIONS



## Setscrew Ball Bearings SCM MEDIUM DUTY 2-BOLT FLANGE BEARINGS

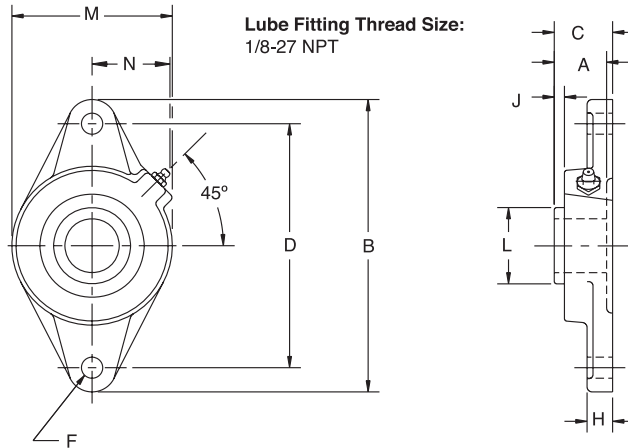
Series	Shaft Size	Weight lbs. kgs	A	B	C	D	F Bolt Dia.	H	J	L	M	N
206	1	2.4	1-25/64	5-9/16	1-17/32	4-19/32	7/16	1/2	15/32	1-37/64	3-1/8	1-9/16
	25mm	1.0	35.3	141.3	38.8	116.7	M12	12.7	11.6	40.1	79.4	39.7
207	1-3/16	3.6	1-17/32	6-1/8	1-3/4	5-1/8	1/2	9/16	17/32	1-27/32	3-3/4	1-27/32
	1-1/4 30mm	3.5 1.6	38.9	155.6	44.5	130.2	M12	14.3	13.4	46.8	95.3	46.8
208	1-7/16	4.1	1-11/16	6-3/4	1-7/8	5-21/32	1/2	9/16	17/32	2-3/64	4-1/8	1-53/64
	35mm	1.9	42.9	171.5	47.5	143.7	M12	14.3	13.4	52.0	104.8	46.4
209	1-1/2	5.3	1-23/32	7-1/16	1-15/16	5-27/32	1/2	5/8	17/32	2-7/32	4-3/8	1-29/32
	1-5/8 40mm	5.2 2.3	43.7	179.4	49.2	148.4	M14	15.9	13.4	56.4	111.1	48.4
210	1-11/16	5.8	1-3/4	7-7/16	2	6-3/16	1/2	5/8	17/32	2-7/16	4-9/16	2-1/32
	1-3/4 45mm	5.6 2.6	44.5	188.9	50.7	157.2	M16	15.9	13.4	61.9	115.9	51.6
211	1-15/16	6.7	1-27/32	8-5/8	2-5/32	7-1/4	5/8	11/16	9/16	2-23/32	5-1/4	2-17/64
	2 50mm	6.5 2.9	46.8	219.1	54.8	184.2	M16	17.5	14.3	69.1	133.4	57.5
212	2-3/16	7.4	1-63/64	9-13/16	2-9/32	7-61/64	7/8	13/16	9/16	2-31/32	5-1/2	2-15/32
	2-1/4 55mm	7.2 3.2	50.4	249.2	57.9	202.0	M22	20.6	14.3	75.4	139.7	62.7

FEATURES/BENEFITS PAGE B3-2	NOMENCLATURE PAGE B3-4	SELECTION PAGE B3-5	RELATED PRODUCTS PAGE B3-133
--------------------------------	---------------------------	------------------------	---------------------------------

# SELECTION/DIMENSIONS



## Setscrew Ball Bearings SCMAH MEDIUM DUTY AIR HANDLING 2-BOLT FLANGE BEARINGS



Series	Shaft Size	Part No.	Standard Description
206	1	<b>050498</b>	F2B-SCMAH-100
	25mm	@	F2B-SCMAH-25M
207	1-3/16	<b>050146</b>	F2B-SCMAH-103
	1-1/4	<b>123733</b>	F2B-SCAH-104
	30mm	@	F2B-SCMAH-30M
208	1-7/16	<b>123755</b>	F2B-SCMAH-107
	35mm	@	F2B-SCMAH-35M
209	1-1/2	@	F2B-SCMAH-108
	1-5/8	@	F2B-SCAH-110L
	40mm	@	F2B-SCMAH-40M
210	1-11/16	<b>123757</b>	F2B-SCMAH-111
	1-3/4	<b>123758</b>	F2B-SCMAH-112
	45mm	@	F2B-SCMAH-45M
211	1-15/16	<b>064198</b>	F2B-SCMAH-115
	2	@	F2B-SCMAH-200
	50mm	@	F2B-SCMAH-50M
212	2-3/16	@	F2B-SCMAH-203
	2-1/4	@	F2B-SCMAH-204
	55mm	@	F2B-SCMAH-55M

@ Assembled to order

FEATURES/BENEFITS PAGE B3-2	NOMENCLATURE PAGE B3-4	SELECTION PAGE B3-5	RELATED PRODUCTS PAGE B3-133
--------------------------------	---------------------------	------------------------	---------------------------------



# SELECTION/DIMENSIONS



## Setscrew Ball Bearings SCMAH MEDIUM DUTY AIR HANDLING 2-BOLT FLANGE BEARINGS

Bearing Quick Reference

E-Z KLEEN

GRIP TIGHT Adapter Ball Bearing

Set Screw Ball Bearing

Eccentric Collar Ball Bearing

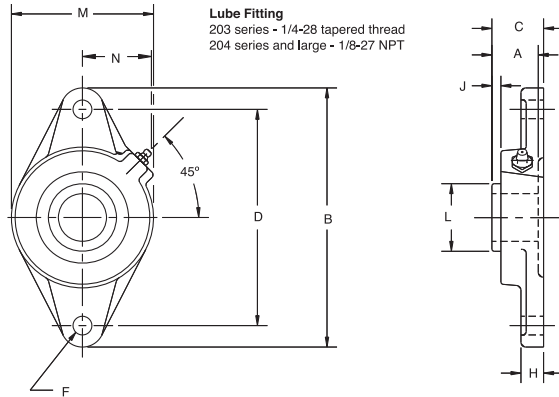
Series	Shaft Size	Weight lbs kg	A	B	C	D	F Bolt Dia.	H	J	L	M	N
206	1	2.4	1-25/64	5-9/16	1-17/32	4-19/32	7/16	1/2	15/32	1-37/64	3-1/8	1-9/16
	25mm	1.0	35.3	141.3	38.8	116.7	M12	12.7	11.6	40.1	79.4	39.7
207	1-3/16	3.6	1-17/32	6-1/8	1-3/4	5-1/8	1/2	9/16	17/32	1-27/32	3-3/4	1-27/32
	1-1/4 30mm	3.5 1.6	38.9	155.6	44.5	130.2	M12	14.3	13.4	46.8	95.3	46.8
208	1-7/16	4.1	1-11/16	6-3/4	1-7/8	5-21/32	1/2	9/16	17/32	2-3/64	4-1/8	1-53/64
	35mm	1.9	42.9	171.5	47.5	143.7	M12	14.3	13.4	52.0	104.8	46.4
209	1-1/2	5.3	1-23/32	7-1/16	1-15/16	5-27/32	1/2	5/8	17/32	2-7/32	4-3/8	1-29/32
	1-5/8 40mm	5.2 2.3	43.7	179.4	49.2	148.4	M14	15.9	13.4	56.4	111.1	48.4
210	1-11/16	5.8	1-3/4	7-7/16	2	6-3/16	1/2	5/8	17/32	2-7/16	4-9/16	2-1/32
	1-3/4 45mm	5.6 2.6	44.5	188.9	50.7	157.2	M16	15.9	13.4	61.9	115.9	51.6
211	1-15/16	6.7	1-27/32	8-5/8	2-5/32	7-1/4	5/8	11/16	9/16	2-23/32	5-1/4	2-17/64
	2 50mm	6.5 2.9	46.8	219.1	54.8	184.2	M16	17.5	14.3	69.1	133.4	57.5
212	2-3/16	7.4	1-63/64	9-13/16	2-9/32	7-61/64	7/8	13/16	9/16	2-31/32	5-1/2	2-15/32
	2-1/4 55mm	7.2 3.2	50.4	249.2	57.9	202.0	M22	20.6	14.3	75.4	139.7	62.7

FEATURES/BENEFITS PAGE B3-2	NOMENCLATURE PAGE B3-4	SELECTION PAGE B3-5	RELATED PRODUCTS PAGE B3-133
--------------------------------	---------------------------	------------------------	---------------------------------

# SELECTION/DIMENSIONS



## Setscrew Ball Bearings VSC INTERMEDIATE DUTY 2-BOLT FLANGE BEARINGS



Series	Shaft Size	Standard		No-Lube/Sealed for Life (-NL)	
		Part No.	Description	Part No.	Description
203	1/2	<b>125516</b>	F2B-VSC-008	@	F2B-VSC-008-NL
	5/8	<b>125517</b>	F2B-VSC-010	@	F2B-VSC-010-NL
	17mm	<b>125703</b>	F2B-VSC-17M	@	F2B-VSC-17M-NL
204	3/4	<b>123610</b>	F2B-VSC-012	<b>057854</b>	F2B-VSC-012-NL
	20mm	<b>125704</b>	F2B-VSC-20M	@	F2B-VSC-20M-NL
205	7/8	<b>125518</b>	F2B-VSC-014	@	F2B-VSC-014-NL
	15/16	<b>125519</b>	F2B-VSC-015	@	F2B-VSC-015-NL
	1	<b>123611</b>	F2B-VSC-100	<b>050778</b>	F2B-VSC-100-NL
	25mm	<b>125705</b>	F2B-VSC-25M	@	F2B-VSC-25M-NL
206	1-1/8	<b>125520</b>	F2B-VSC-102	@	F2B-VSC-102-NL
	1-3/16	<b>123612</b>	F2B-VSC-103	<b>050840</b>	F2B-VSC-103-NL
	1-1/4	<b>123618</b>	F2B-VSC-104S	<b>051888</b>	F2B-VSC-104S-NL
	30mm	<b>125752</b>	F2B-VSC-30M	@	F2B-VSC-30M-NL
207	1-1/4	<b>123613</b>	F2B-VSC-104	@	F2B-VSC-104-NL
	1-3/8	<b>125521</b>	F2B-VSC-106	<b>049468</b>	F2B-VSC-106-NL
	1-7/16	<b>123614</b>	F2B-VSC-107	<b>051699</b>	F2B-VSC-107-NL
	35mm	<b>125706</b>	F2B-VSC-35M	@	F2B-VSC-35M-NL
208	1-1/2	<b>123615</b>	F2B-VSC-108	@	F2B-VSC-108-NL
	40mm	<b>125707</b>	F2B-VSC-40M	@	F2B-VSC-40M-NL
209	1-11/16	<b>125522</b>	F2B-VSC-111	<b>050842</b>	F2B-VSC-111-NL
	1-3/4	<b>125523</b>	F2B-VSC-112	<b>049892</b>	F2B-VSC-112-NL
	45mm	<b>125708</b>	F2B-VSC-45M	@	F2B-VSC-45M-NL
210	1-15/16	<b>123616</b>	F2B-VSC-115	<b>059811</b>	F2B-VSC-115-NL
	2	<b>123617</b>	F2B-VSC-200	<b>056727</b>	F2B-VSC-200-NL
	50mm	<b>125709</b>	F2B-VSC-50M	@	F2B-VSC-50M-NL
211	2	<b>123694</b>	F2B-VSC-200L	@	F2B-VSC-200L-NL
	2-3/16	<b>123619</b>	F2B-VSC-203	@	F2B-VSC-203-NL
	55mm	<b>125710</b>	F2B-VSC-55M	@	F2B-VSC-55M-NL

@Assembled to order

FEATURES/BENEFITS PAGE B3-2	NOMENCLATURE PAGE B3-4	SELECTION PAGE B3-5	RELATED PRODUCTS PAGE B3-133
--------------------------------	---------------------------	------------------------	---------------------------------

# SELECTION/DIMENSIONS



## Setscrew Ball Bearings VSC INTERMEDIATE DUTY 2-BOLT FLANGE BEARINGS

Series	Shaft Size	Weight lbs. kg.	A	B	C	D	F Bolt Dia.	H	J	L	M	N
203	1/2	0.8	15/16	3-7/8	1-3/16	3	3/8	3/8	11/32	31/32	2-1/8	1-1/8
	5/8	0.7										
	17mm	0.36	23.8	98.4	30.2	76.2	M10	9.5	8.7	24.6	54.0	28.6
204	3/4	1.4	1-1/16	4-13/32	1-3/8	3-17/32	3/8	1/2	25/64	1-1/8	2-3/8	1-1/2
	20mm	0.63	27.0	111.9	34.9	89.7	M10	12.7	9.9	28.6	60.3	38.1
205	7/8	1.6	1-3/32	4-7/8	1-11/32	3-57/64	7/16	1/2	25/64	1-21/64	2-3/4	1-7/16
	15/16	1.5										
	1	1.4										
206	25mm	0.67	27.8	123.8	34.1	98.8	M10	12.7	9.9	33.7	69.9	36.5
	1-1/8	2.2	1-19/64	5-9/16	1-17/32	4-19/32	7/16	1/2	15/32	1-37/64	3-1/8	1-9/16
	1-3/16	2.1										
207	1-1/4	2.0										
	30mm	0.94	32.9	141.3	38.9	116.7	M12	12.7	11.9	40.1	79.4	39.7
	1-1/4	3.5	1-7/16	6-1/8	1-3/4	5-1/8	1/2	9/16	17/32	1-27/32	3-3/4	1-27/32
208	1-3/8	3.3										
	1-7/16	3.2										
	35mm	1.43	36.5	155.6	44.5	130.2	M12	14.3	13.5	46.8	95.3	46.8
209	1-1/2	4.1	1-9/16	6-3/4	1-7/8	5-21/32	1/2	9/16	17/32	2-3/64	4-1/8	1-53/64
	40mm	1.83	39.7	171.5	47.6	143.7	M12	14.3	13.5	52.0	104.8	46.4
210	1-11/16	5.0	1-19/32	7-1/16	1-15/16	5-27/32	1/2	5/8	17/32	2-7/32	4-3/8	1-29/32
	1-3/4	4.9										
	45mm	2.23	40.5	179.4	49.20	148.4	M14	15.9	13.5	56.4	111.1	48.4
211	1-15/16	5.4	1-5/8	7-7/16	2	6-3/16	1/2	5/8	17/32	2-7/16	4-9/16	2-1/32
	2	5.2										
	50mm	2.41	40.5	188.9	50.8	157.2	M16	15.9	13.5	61.9	115.9	51.6
211	2	6.7	1-23/32	8-5/8	2-5/32	7-1/4	5/8	11/16	9/16	2-23/32	5-1/4	2-17/64
	2-3/16	6.5										
	55mm	2.99	41.3	219.1	54.8	184.2	M16	17.5	14.3	69.1	133.4	57.5

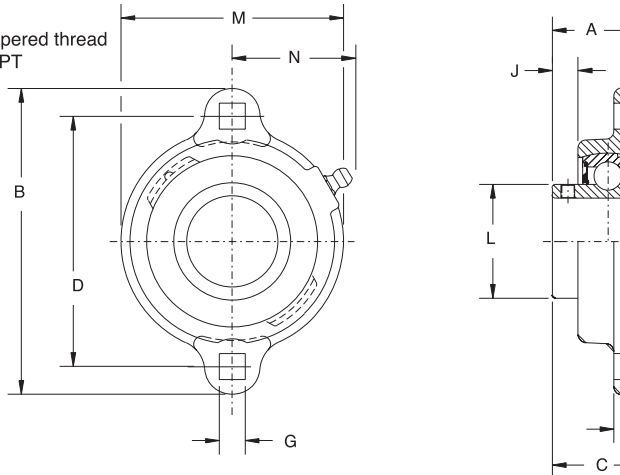
FEATURES/BENEFITS PAGE B3-2	NOMENCLATURE PAGE B3-4	SELECTION PAGE B3-5	RELATED PRODUCTS PAGE B3-133
--------------------------------	---------------------------	------------------------	---------------------------------

# SELECTION/DIMENSIONS



## Setscrew Ball Bearings SC LFT DUTY 2-BOLT FLANGE BEARINGS

**Lube Fitting Thread Size:**  
203 - 204 series - 1/4-28 tapered thread  
207 - 207 series - 1/8-27 NPT



Series	Shaft Size	Standard		Sealed for Life (No Lube)	
		Part No.	Description	Part No.	Description
203	1/2	<b>124640</b>	LFT-SC-008	<b>124660</b>	LFT-SC-008-NL
	5/8	<b>124641</b>	LFT-SC-010	<b>124661</b>	LFT-SC-010-NL
	17mm	<b>130362</b>	LFT-SC-17M	@	LFT-SC-17M-NL
204	3/4	<b>124642</b>	LFT-SC-012	<b>124662</b>	LFT-SC-012-NL
	20mm	<b>130363</b>	LFT-SC-20M	@	LFT-SC-20M-NL
205	7/8	<b>124643</b>	LFT-SC-014	<b>124663</b>	LFT-SC-014-NL
	15/16	<b>124644</b>	LFT-SC-015	<b>124664</b>	LFT-SC-015-NL
	1	<b>124645</b>	LFT-SC-100	<b>124665</b>	LFT-SC-100-NL
	25mm	<b>130364</b>	LFT-SC-25M	@	LFT-SC-25M-NL
206	1-1/16	<b>124646</b>	LFT-SC-101	<b>124666</b>	LFT-SC-101-NL
	1-1/8	<b>124647</b>	LFT-SC-102	<b>124667</b>	LFT-SC-102-NL
	1-3/16	<b>124648</b>	LFT-SC-103	<b>124668</b>	LFT-SC-103-NL
	1-1/4	<b>124649</b>	LFT-SC-104S	<b>124669</b>	LFT-SC-104S-NL
	30mm	<b>130365</b>	LFT-SC-30M	@	LFT-SC-30M-NL
207	1-1/4	<b>124650</b>	LFT-SC-104	<b>124670</b>	LFT-SC-104-NL
	1-5/16	<b>124651</b>	LFT-SC-105	<b>124671</b>	LFT-SC-105-NL
	1-3/8	<b>124652</b>	LFT-SC-106	<b>124672</b>	LFT-SC-106-NL
	1-7/16	<b>124653</b>	LFT-SC-107	<b>124673</b>	LFT-SC-107-NL
	35mm	<b>130366</b>	LFT-SC-35M	@	LFT-SC-35M-NL

\* No lube fitting required in the SCLFT NoLube  
@ Assembled to order.

FEATURES/BENEFITS PAGE B3-2	NOMENCLATURE PAGE B3-4	SELECTION PAGE B3-5	RELATED PRODUCTS PAGE B3-133
--------------------------------	---------------------------	------------------------	---------------------------------

# SELECTION/DIMENSIONS



## Setscrew Ball Bearings SC LFT DUTY 2-BOLT FLANGE BEARINGS

Bearing Quick Reference

E-Z KLEEN

GRIP TIGHT Adapter Ball Bearing

Set Screw Ball Bearing

Eccentric Collar Ball Bearing

Series	Shaft Size	Weight lbs kgs	A	B	C	D	G	H	J	L	M	N*
203	1/2	0.60	1	3-3/16	1-3/64	2-1/2	9/32	3/8	21/64	31/32	2-1/8	1-15/64
	5/8	0.55										
	17mm	0.27										
204	3/4	0.80	1-5/32	3-9/16	1-7/32	2-13/16	11/32	27/64	3/8	1-1/8	2-3/8	1-11/32
	20mm	0.36	29.4	90.5	31.0	71.4	8.7	10.7	9.5	28.6	60.3	34.1
205	7/8	0.95	1-3/16	3-3/4	1-1/4	3	11/32	27/64	3/8	1-21/64	2-5/8	1-7/16
	15/16	0.90										
	1	0.85										
206	25mm	0.43	30.2	95.3	31.8	76.2	8.7	10.7	10.3	33.7	66.7	36.5
	1-1/16	1.50	1-25/64	4-7/16	1-15/32	3-9/16	13/32	15/32	15/32	1-37/64	3-1/4	1-23/32
	1-1/8	1.45	35.3	112.7	37.3	90.5	10.3	11.9	13.5	40.1	82.6	43.7
	1-3/16	1.40										
1-1/4	1.35											
30mm	0.67											
207	1-1/4	1.85	1-17/32	4-13/16	1-19/32	3-15/16	13/32	1/2	17/32	1-27/32	3-1/2	1-53/64
	1-5/16	1.80	38.9	122.2	40.5	100.0	10.3	12.7	13.5	46.8	88.9	46.4
	1-3/8	1.75										
	1-7/16	1.70										
	35mm	0.81										

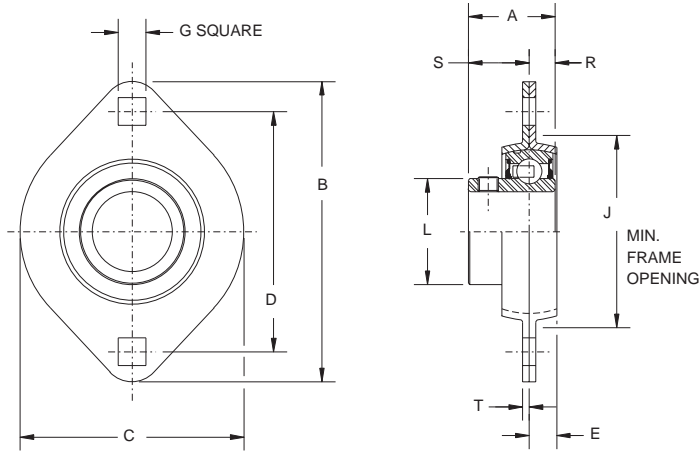
\* No lube fitting required in the SCLFT NoLube

FEATURES/BENEFITS PAGE B3-2	NOMENCLATURE PAGE B3-4	SELECTION PAGE B3-5	RELATED PRODUCTS PAGE B3-133
--------------------------------	---------------------------	------------------------	---------------------------------

# SELECTION/DIMENSIONS



## Setscrew Ball Bearings SL LIGHT DUTY 2-BOLT FLANGE BEARINGS



Series	Shaft Size	Part No.	Description
203	1/2	<b>128151</b>	F2B-SL-008
	5/8	<b>128154</b>	F2B-SL-010
	17mm	<b>068789</b>	F2B-SL-17M
204	3/4	<b>128092</b>	F2B-SL-012
	20mm	@	F2B-SL-20M
205	7/8	<b>128174</b>	F2B-SL-014
	15/16	<b>128175</b>	F2B-SL-015
	1	<b>128093</b>	F2B-SL-100
	25mm	@	F2B-SL-25M
206	1-1/8	<b>128176</b>	F2B-SL-102
	1-3/16	<b>128094</b>	F2B-SL-103
	1-1/4	<b>128097</b>	F2B-SL-104S
	30mm	@	F2B-SL-30M
207	1-1/4	<b>128095</b>	F2B-SL-104
	1-3/8	<b>128177</b>	F2B-SL-106
	1-7/16	<b>128096</b>	F2B-SL-107
	35mm	@	F2B-SL-35M

FEATURES/BENEFITS PAGE B3-2	NOMENCLATURE PAGE B3-4	SELECTION PAGE B3-5	RELATED PRODUCTS PAGE B3-133
--------------------------------	---------------------------	------------------------	---------------------------------

# SELECTION/DIMENSIONS



## Setscrew Ball Bearings SL LIGHT DUTY 2-BOLT FLANGE BEARINGS

Series	Shaft Size	Weight lbs. kg	A	B	C	D	E	G*	J	L	R	S	T	Housing Radial Load Rating (lbs) N
203	1/2	0.45	15/16	3-3/16	2-5/16	2-1/2	9/32	9/32	1-15/16	31/32	19/64	41/64	0.075	600
	5/8 17mm	0.42 0.20	23.8	81.0	58.7	63.5	7.1	7.1	49.2	24.6	7.5	16.3	1.9	2,668
204	3/4	0.55	1-1/16	3-9/16	2-5/8	2-13/16	5/16	11/32	2-3/16	1-1/8	21/64	47/64	0.083	700
	20mm	0.25	27.0	90.5	66.7	71.4	7.9	8.7	55.6	28.6	8.3	18.7	2.1	3,112
205	7/8	0.81	1-3/32	3-3/4	2-51/64	3	11/32	11/32	2-3/8	1-21/64	21/64	49/64	0.083	800
	15/16	0.77												
	1 25mm	0.65 .34	27.8	95.3	71.0	76.2	8.7	8.7	60.3	33.7	8.3	19.4	2.1	3,557
206	1-1/8	1.05	1-19/64	4-7/16	3-5/16	3-9/16	11/32	13/32	2-13/16	1-37/64	25/64	29/32	0.104	1,100
	1-3/16	1.02												
	1-1/4 30mm	1.00 0.46	32.9	112.7	84.1	90.5	8.7	10.3	71.4	40.1	9.9	23.0	2.6	4,891
207	1-1/4	1.53	1-7/16	4-15/16	3-11/16	3-15/16	7/16	13/32	3-3/16	1-27/32	13/32	1-1/32	0.104	1,400
	1-3/8	1.50												
	1-7/16 35mm	1.37 0.67	36.5	125.4	93.7	100.0	11.1	10.3	81.0	46.8	10.3	26.2	2.6	6,225

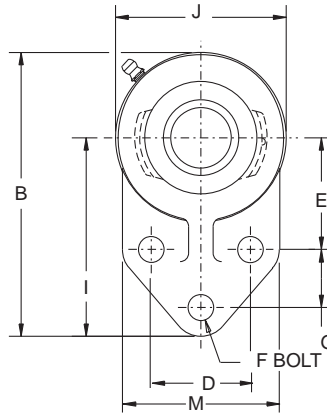
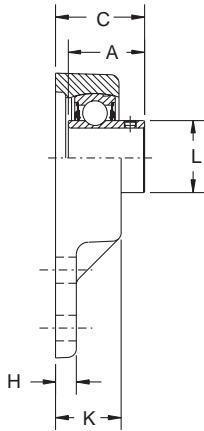
\* Mounting bolt holes will accept either carriage or machine bolts

FEATURES/BENEFITS PAGE B3-2	NOMENCLATURE PAGE B3-4	SELECTION PAGE B3-5	RELATED PRODUCTS PAGE B3-133
--------------------------------	---------------------------	------------------------	---------------------------------

# SELECTION/DIMENSIONS



## Setscrew Ball Bearings SC FB NORMAL DUTY 3-BOLT FLANGED BRACKET BEARINGS



Lube Fitting Thread Size:  
1/8-27 NPT

Series	Shaft Size	Standard		No Lube/Sealed for Life (-NL)		With Flingers	
		Part No.	Description	Part No.	Description	Part No.	Description
204	1/2	<b>124435</b>	FB-SC-008	<b>068720</b>	FB-SC-008-NL	@	FB-SC-008-FF
	5/8	<b>124436</b>	FB-SC-010	<b>059816</b>	FB-SC-010-NL	@	FB-SC-010-FF
	3/4	<b>124437</b>	FB-SC-012	<b>058544</b>	FB-SC-012-NL	<b>049726</b>	FB-SC-012-FF
205	7/8	<b>124438</b>	FB-SC-014	<b>056765</b>	FB-SC-014-NL	@	FB-SC-014-FF
	15/16	<b>124439</b>	FB-SC-015	@	FB-SC-015-NL	@	FB-SC-015-FF
	1	<b>124440</b>	FB-SC-100	<b>051774</b>	FB-SC-100-NL	<b>067725</b>	FB-SC-100-FF
206	1-1/16	<b>124441</b>	FB-SC-101	@	FB-SC-101-NL	@	FB-SC-101-FF
	1-1/8	<b>124442</b>	FB-SC-102	@	FB-SC-102-NL	@	FB-SC-102-FF
	1-3/16	<b>124443</b>	FB-SC-103	<b>049615</b>	FB-SC-103-NL	@	FB-SC-103-FF
	1-1/4	<b>124444</b>	FB-SC-104S	<b>124450</b>	FB-SC-104S-NL	<b>054263</b>	FB-SC-104S-FF
207	1-1/4	<b>124445</b>	FB-SC-104	<b>058545</b>	FB-SC-104-NL	@	FB-SC-104-FF
	1-5/16	<b>124446</b>	FB-SC-105	@	FB-SC-105-NL	@	FB-SC-105-FF
	1-3/8	<b>124447</b>	FB-SC-106	@	FB-SC-106-NL	@	FB-SC-106-FF
	1-7/16	<b>124448</b>	FB-SC-107	<b>052016</b>	FB-SC-107-NL	<b>124449</b>	FB-SC-107-FF
210	1-11/16	<b>052906</b>	FB-SCM-111	<b>068840</b>	FB-SCM-111-NL	@	FB-SCM-111-FF
	1-15/16	<b>052094</b>	FB-SC-115	@	FB-SC-115-NL	@	FB-SC-115-FF
	2	<b>058529</b>	FB-SC-200	@	FB-SC-200-NL	@	FB-SC-200-FF

@ Assembled to order.

FEATURES/BENEFITS PAGE B3-2	NOMENCLATURE PAGE B3-4	SELECTION PAGE B3-5	RELATED PRODUCTS PAGE B3-133
--------------------------------	---------------------------	------------------------	---------------------------------



# SELECTION/DIMENSIONS



## Setscrew Ball Bearings SC FB NORMAL DUTY 3-BOLT FLANGED BRACKET BEARINGS

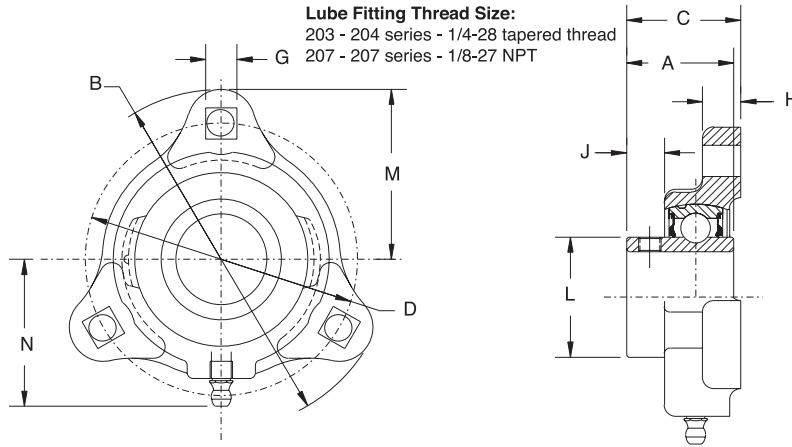
Series	Shaft Size	Weight lbs	A	B	C	D	E	F Bolt Dia.	G	H	I	J	K	L	M
204	1/2	1.51	1-5/32	4-1/4	1-11/32	1-1/2	1-11/16	3/8	7/8	5/16	3	2-1/2	63/64	1-1/8	2-3/8
	5/8	1.48													
	3/4	1.45													
205	7/8	1.81	1-3/16	4-3/4	1-1/2	1-5/8	1-13/16	3/8	1-1/8	3/8	3-3/8	2-3/4	1-7/64	1-21/64	2-1/2
	15/16	1.78													
	1	1.75													
206	1-1/16	2.12	1-25/64	5-3/8	1-5/8	1-7/8	2-1/16	3/8	1-1/4	3/8	3-3/4	3-1/4	1-1/8	1-37/64	2-3/4
	1-1/8	2.08													
	1-3/16	2.05													
	1-1/4	2.02													
207	1-1/4	3.46	1-17/32	6-1/8	1-7/8	2	2-3/8	1/2	1-1/4	1/2	4-1/4	3-3/4	1-5/16	1-27/32	3-1/4
	1-5/16	3.41													
	1-3/8	3.36													
	1-7/16	3.30													
210	1-11/16	5.70	1-3/4	7-1/2	2-1/32	2-3/4	2-15/16	1/2	1-5/8	1/2	5-3/16	4-5/8	1-1/2	2-7/16	4
	1-15/16	5.50													
	2	5.40													

FEATURES/BENEFITS PAGE B3-2	NOMENCLATURE PAGE B3-4	SELECTION PAGE B3-5	RELATED PRODUCTS PAGE B3-133
--------------------------------	---------------------------	------------------------	---------------------------------

# SELECTION/DIMENSIONS



## Setscrew Ball Bearings SC LF NORMAL DUTY 3-BOLT FLANGE BEARINGS



Series	Shaft Size	Standard		Sealed for Life (No Lube)	
		Part No.	Description	Part No.	Description
203	1/2	<b>124600</b>	LF-SC-008	<b>124620</b>	LF-SC-008-NL
	5/8	<b>124601</b>	LF-SC-010	<b>124621</b>	LF-SC-010-NL
	17 mm	<b>050895</b>	LF-SC-17M	@	LF-SC-17M-NL
204	3/4	<b>124602</b>	LF-SC-012	<b>124622</b>	LF-SC-012-NL
	20 mm	<b>124934</b>	LF-SC-20M	<b>125384</b>	LF-SC-20M-NL
205	7/8	<b>124603</b>	LF-SC-014	<b>124623</b>	LF-SC-014-NL
	15/16	<b>124604</b>	LF-SC-015	<b>124624</b>	LF-SC-015-NL
	1	<b>124605</b>	LF-SC-100	<b>124625</b>	LF-SC-100-NL
	25 mm	@	LF-SC-25M	@	LF-SC-25M-NL
206	1-1/16	<b>124606</b>	LF-SC-101	<b>124626</b>	LF-SC-101-NL
	1-1/8	<b>124607</b>	LF-SC-102	<b>124627</b>	LF-SC-102-NL
	1-3/16	<b>124608</b>	LF-SC-103	<b>124628</b>	LF-SC-103-NL
	1-1/4	<b>124609</b>	LF-SC-104S	<b>124629</b>	LF-SC-104S-NL
	30 mm	<b>067892</b>	LF-SC-30M	@	LF-SC-30M-NL
207	1-1/4	<b>124610</b>	LF-SC-104	<b>124630</b>	LF-SC-104-NL
	1-5/16	<b>124611</b>	LF-SC-105	<b>124631</b>	LF-SC-105-NL
	1-3/8	<b>124612</b>	LF-SC-106	<b>124632</b>	LF-SC-106-NL
	1-7/16	<b>124613</b>	LF-SC-107	<b>124633</b>	LF-SC-107-NL
	35 mm	<b>065699</b>	LF-SC-35M	@	LF-SC-35M-NL

@ Assembled to order.

FEATURES/BENEFITS PAGE B3-2	NOMENCLATURE PAGE B3-4	SELECTION PAGE B3-5	RELATED PRODUCTS PAGE B3-133
--------------------------------	---------------------------	------------------------	---------------------------------

# SELECTION/DIMENSIONS



## Setscrew Ball Bearings SC LF NORMAL DUTY 3-BOLT FLANGE BEARINGS

Bearing Quick Reference

E-Z KLEEN

GRIP TIGHT Adapter Ball Bearing

Set Screw Ball Bearing

Eccentric Collar Ball Bearing

Series	Shaft Size	Weight lbs kg	A	B	C	D	G	H	J	L	M	N
203	1/2	0.65	1	3-3/16	1-3/64	2-1/2	9/32	3/8	21/64	31/32	1-19/32	1-27/32
	5/8 17 mm	0.60 0.29	25.4	81.0	27.0	63.5	7.5	9.5	8.7	24.6	40.5	46.8
204	3/4	0.85	1-5/32	3-9/16	1-7/32	2-13/16	23/64	27/64	3/8	1-1/8	1-25/32	1-37/64
	20 mm	0.38	29.4	90.5	31.0	71.4	9.1	10.7	9.5	28.6	45.2	40.1
205	7/8	1.10	1-3/16	3-3/4	1-1/4	3	11/32	27/64	3/8	1-21/64	1-7/8	1-45/64
	15/16	1.05										
	1 25 mm	1.00 0.47	30.2	95.3	31.8	76.2	8.7	10.7	10.3	33.7	47.6	43.3
206	1-1/16	1.65	1-25/64	4-7/16	1-15/32	3-9/16	13/32	15/32	15/32	1-37/64	2-7/32	2-1/64
	1-1/8	1.60										
	1-3/16	1.55										
	1 -/4 30 mm	1.50 0.70	35.3	112.7	37.3	90.5	10.3	11.9	13.5	40.1	56.4	51.2
207	1-1/4	2.10	1-17/32	4-13/16	1-19/32	3-15/16	13/32	1/2	17/32	1-27/32	2-13/32	2-9/64
	1-5/16	2.05										
	1-3/8	2.00										
	1-7/16 35 mm	1.95 0.90	38.9	122.2	40.5	100.0	10.3	12.7	13.5	46.8	61.1	54.4

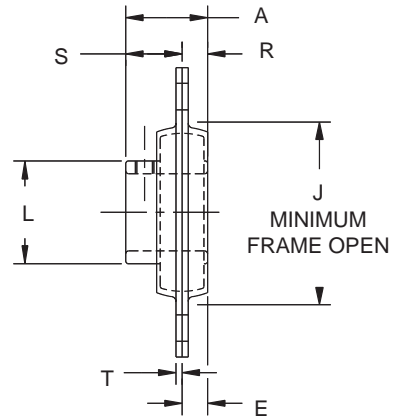
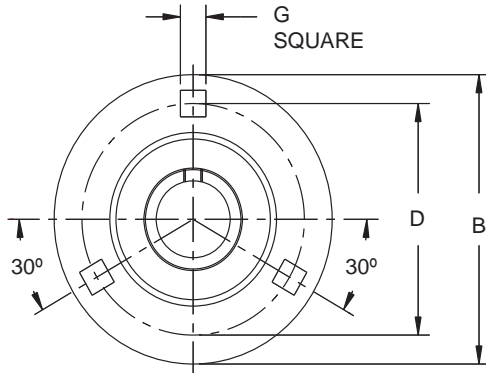
\* No lube fitting required in the SC LFT No Lube

FEATURES/BENEFITS PAGE B3-2	NOMENCLATURE PAGE B3-4	SELECTION PAGE B3-5	RELATED PRODUCTS PAGE B3-133
--------------------------------	---------------------------	------------------------	---------------------------------

# SELECTION/DIMENSIONS



## Setscrew Ball Bearings SL LIGHT DUTY 3-BOLT FLANGE BEARINGS



Series	Shaft Size	Part No.	Description
204	3/4	<b>128083</b>	F3B-SL-012
	20mm	@	F3B-SL-20M
205	7/8	<b>128178</b>	F3B-SL-014
	15/16	<b>128179</b>	F3B-SL-015
	1	<b>128084</b>	F3B-SL-100
	25mm	@	F3B-SL-25M
206	1-1/8	<b>128180</b>	F3B-SL-102
	1-3/16	<b>128085</b>	F3B-SL-103
	1-1/4	<b>128082</b>	F3B-SL-104S
	30mm	@	F3B-SL-30M
207	1-1/4	<b>128086</b>	F3B-SL-104
	1-3/8	<b>128181</b>	F3B-SL-106
	1-7/16	<b>128087</b>	F3B-SL-107
	35mm	@	F3B-SL-35M

@ Assembled to order.

FEATURES/BENEFITS PAGE B3-2	NOMENCLATURE PAGE B3-4	SELECTION PAGE B3-5	RELATED PRODUCTS PAGE B3-133
--------------------------------	---------------------------	------------------------	---------------------------------

# SELECTION/DIMENSIONS



## Setscrew Ball Bearings SL LIGHT DUTY 3-BOLT FLANGE BEARINGS

Series	Shaft Size	Weight lbs. kg	A	B	D	E	G*	J	L	R	S	T	Housing Radial Load Rating (lbs.) N
204	3/4	0.74	1-1/16	3-9/16	2-13/16	5/16	11/32	2-3/16	1-1/8	21/64	47/64	0.083	700
	20mm	0.33	27.0	90.5	71.4	7.9	8.7	55.6	90.5	71.4	7.9	2.1	3,112
205	7/8	1.01	1-3/32	3-3/4	3	11/32	11/32	2-3/8	1-21/64	21/64	49/64	0.083	800
	15/16	0.97											
	1	0.85											
206	25mm	0.43	27.8	95.3	76.2	8.7	8.7	60.3	33.7	8.3	19.4	2.1	3,557
	1-1/8	1.39	1-19/64	4-7/16	3-9/16	11/32	13/32	2-13/16	1-37/64	25/64	29/32	0.104	1,100
	1-3/16	1.36											
	1-1/4	1.34											
207	30mm	0.61	32.9	112.7	90.5	8.7	10.3	71.4	40.1	9.9	23.0	2.6	4,891
	1-1/4	1.89	1-7/16	4-15/16	3-15/16	7/16	13/32	3-3/16	1-27/32	13/32	1-1/32	0.104	1,400
	1-3/8	1.86											
	1-7/16	1.73											
	35mm	0.83	36.5	125.4	100.1	11.1	10.3	81.0	46.8	10.3	26.2	2.6	6,225

\* Mounting bolt holes will accept either carriage or machine bolts.

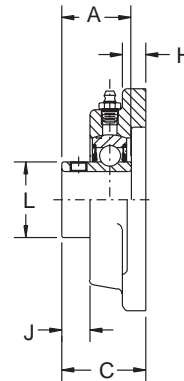
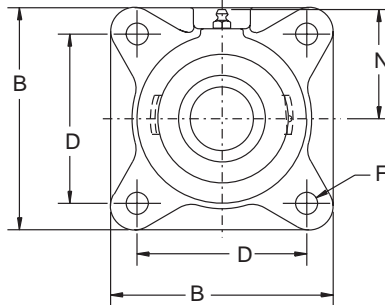
FEATURES/BENEFITS PAGE B3-2	NOMENCLATURE PAGE B3-4	SELECTION PAGE B3-5	RELATED PRODUCTS PAGE B3-133
--------------------------------	---------------------------	------------------------	---------------------------------

# SELECTION/DIMENSIONS



## Setscrew Ball Bearings SC NORMAL DUTY 4-BOLT FLANGE BEARINGS

**Lube Fitting Thread Size:**  
203 series - 1/4-28 tapered thread  
204 series and larger - 1/8-27 NPT



Series	Shaft Size	Standard		No-Lube/Sealed for Life (-NL)		With Flingers	
		Part No.	Description	Part No.	Description	Part No.	Description
203	1/2	<b>124048</b>	F4B-SC-008	@	F4B-SC-008-NL	@	F4B-SC-008-FF
	5/8	<b>124049</b>	F4B-SC-010	<b>067642</b>	F4B-SC-010-NL	@	F4B-SC-010-FF
	17mm	<b>125885</b>	F4B-SC-17M	@	F4B-SC-17M-NL	@	F4B-SC-17M-FF
204	1/2	<b>124098</b>	F4B-SC-008L	@	F4B-SC-008L-NL	@	F4B-SC-008L-FF
	5/8	<b>124099</b>	F4B-SC-010L	@	F4B-SC-010L-NL	<b>054528</b>	F4B-SC-010L-FF
	3/4	<b>124100</b>	F4B-SC-012	<b>052010</b>	F4B-SC-012-NL	<b>050917</b>	F4B-SC-012-FF
	13/16	<b>124567</b>	F4B-SC-013	@	F4B-SC-013-NL	@	F4B-SC-013-FF
	20mm	<b>125886</b>	F4B-SC-20M	@	F4B-SC-20M-NL	@	F4B-SC-20M-FF
205	7/8	<b>124101</b>	F4B-SC-014	@	F4B-SC-014-NL	@	F4B-SC-014-FF
	15/16	<b>124102</b>	F4B-SC-015	<b>126524</b>	F4B-SC-015-NL	@	F4B-SC-015-FF
	1	<b>124103</b>	F4B-SC-100	<b>126525</b>	F4B-SC-100-NL	<b>123007</b>	F4B-SC-100-FF
	25mm	<b>125887</b>	F4B-SC-25M	<b>064943</b>	F4B-SC-25M-NL	@	F4B-SC-25M-FF
206	1-1/16	<b>124218</b>	F4B-SC-101	@	F4B-SC-101-NL	@	F4B-SC-101-FF
	1-1/8	<b>124204</b>	F4B-SC-102	<b>126526</b>	F4B-SC-102-NL	<b>125156</b>	F4B-SC-102-FF
	1-3/16	<b>124205</b>	F4B-SC-103	<b>050834</b>	F4B-SC-103-NL	<b>125148</b>	F4B-SC-103-FF
	1-1/4	<b>123173</b>	F4B-SC-104S	<b>051987</b>	F4B-SC-104S-NL	@	F4B-SC-104S-FF
	30mm	<b>125888</b>	F4B-SC-30M	<b>067874</b>	F4B-SC-30M-NL	@	F4B-SC-30M-FF
207	1-1/4	<b>124206</b>	F4B-SC-104	<b>126528</b>	F4B-SC-104-NL	<b>052508</b>	F4B-SC-104-FF
	1-5/16	<b>124219</b>	F4B-SC-105	@	F4B-SC-105-NL	@	F4B-SC-105-FF
	1-3/8	<b>124207</b>	F4B-SC-106	<b>052009</b>	F4B-SC-106-NL	<b>056757</b>	F4B-SC-106-FF
	1-7/16	<b>124208</b>	F4B-SC-107	<b>050835</b>	F4B-SC-107-NL	<b>057696</b>	F4B-SC-107-FF
	35mm	<b>125889</b>	F4B-SC-35M	@	F4B-SC-35M-NL	@	F4B-SC-35M-FF

@ Assembled to order

FEATURES/BENEFITS PAGE B3-2	NOMENCLATURE PAGE B3-4	SELECTION PAGE B3-5	RELATED PRODUCTS PAGE B3-133
--------------------------------	---------------------------	------------------------	---------------------------------

# SELECTION/DIMENSIONS



## Setscrew Ball Bearings SC NORMAL DUTY 4-BOLT FLANGE BEARINGS

Series	Shaft Size	Weight lbs. kgs.	A	B	C	D	F Bolt Dia.	H	J	L	N
203	1/2	1.1	1	3	1-3/16	2-1/8	3/8	7/16	11/32	31/32	1-11/16
	5/8 17mm	1.0 0.5	25.4	76.2	30.2	54.0	M10	11.1	8.7	24.6	42.9
204	1/2	1.8	1-5/32	3-3/8	1-3/8	2-1/2	3/8	7/16	25/64	1-1/8	1-15/16
	5/8	1.7									
	3/4	1.6									
	13/16 20mm	1.5 0.8	29.4	85.7	34.9	63.5	M10	11.1	9.9	28.6	49.2
205	7/8	2.0	1-3/16	3-3/4	1-23/64	2-3/4	7/16	1/2	25/64	1-21/64	2-1/16
	15/16	1.9									
	1 25mm	1.8 0.9	30.2	95.3	34.5	69.9	M10	12.7	9.9	33.7	52.4
206	1-1/16	2.9	1-25/64	4-1/4	1-17/32	3-1/4	7/16	1/2	15/32	1-37/64	2-3/16
	1-1/8	2.8									
	1-3/16	2.7									
	1-1/4 30mm	2.6 1.3	35.3	108.0	38.9	82.6	M10	12.7	11.9	40.1	55.6
207	1-1/4	4.0	1-17/32	4-3/4	1-3/4	3-5/8	1/2	9/16	17/32	1-27/32	2-7/16
	1-5/16	3.9									
	1-3/8	3.8									
	1-7/16 35mm	3.7 1.7	38.9	120.7	44.5	92.1	M12	14.3	13.5	46.8	61.9

FEATURES/BENEFITS PAGE B3-2	NOMENCLATURE PAGE B3-4	SELECTION PAGE B3-5	RELATED PRODUCTS PAGE B3-133
--------------------------------	---------------------------	------------------------	---------------------------------

# SELECTION/DIMENSIONS

# DODGE®

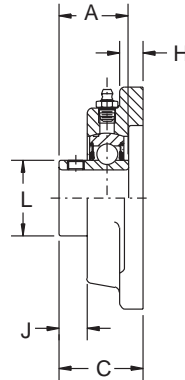
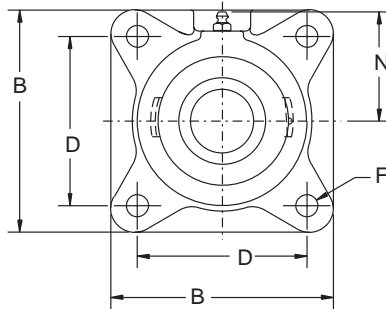


## Setscrew Ball Bearings SC NORMAL DUTY 4-BOLT FLANGE BEARINGS

### Lube Fitting Thread Size:

203 series - 1/4-28 tapered thread

204 series and larger - 1/8-27 NPT



Series	Shaft Size	Standard		No-Lube/Sealed for Life (-NL)		With Flingers	
		Part No.	Description	Part No.	Description	Part No.	Description
208	1-1/2	<b>124209</b>	F4B-SC-108	<b>051991</b>	F4B-SC-108-NL	<b>054523</b>	F4B-SC-108-FF
	1-5/8	<b>124210</b>	F4B-SC-110	<b>052008</b>	F4B-SC-110-NL	@	F4B-SC-110-FF
	40mm	<b>125890</b>	F4B-SC-40M	@	F4B-SC-40M-NL	@	F4B-SC-40M-FF
209	1-5/8	<b>125170</b>	F4B-SC-110L	@	F4B-SC-110L-NL	@	F4B-SC-110L-FF
	1-11/16	<b>124211</b>	F4B-SC-111	<b>064214</b>	F4B-SC-111-NL	<b>057850</b>	F4B-SC-111-FF
	1-3/4	<b>124212</b>	F4B-SC-112	<b>126531</b>	F4B-SC-112-NL	<b>054839</b>	F4B-SC-112-FF
	45mm	<b>125891</b>	F4B-SC-45M	@	F4B-SC-45M-NL	@	F4B-SC-45M-FF
210	1-15/16	<b>124213</b>	F4B-SC-115	<b>051992</b>	F4B-SC-115-NL	<b>124564</b>	F4B-SC-115-FF
	2	<b>124214</b>	F4B-SC-200	<b>050867</b>	F4B-SC-200-NL	<b>050169</b>	F4B-SC-200-FF
	50mm	<b>125892</b>	F4B-SC-50M	<b>068571</b>	F4B-SC-50M-NL	@	F4B-SC-50M-FF
211	2	<b>126192</b>	F4B-SCM-200	<b>052004</b>	F4B-SCM-200-NL	<b>126132</b>	F4B-SCM-200-FF
	2-3/16	<b>124215</b>	F4B-SC-203	<b>052007</b>	F4B-SC-203-NL	<b>124921</b>	F4B-SC-203-FF
	2-1/4	<b>124216</b>	F4B-SC-204	<b>052006</b>	F4B-SC-204-NL	@	F4B-SC-204-FF
	55mm	<b>125893</b>	F4B-SC-55M	<b>068572</b>	F4B-SC-55M-NL	@	F4B-SC-55M-FF
212	2-1/4	<b>126283</b>	F4B-SCM-204	<b>126537</b>	F4B-SCM-204-NL	<b>054482</b>	F4B-SCM-204-FF
	2-7/16	<b>124217</b>	F4B-SC-207	<b>050843</b>	F4B-SC-207-NL	<b>124728</b>	F4B-SC-207-FF
	60mm	<b>125894</b>	F4B-SC-60M	@	F4B-SC-60M-NL	@	F4B-SC-60M-FF
214	2-1/2	<b>126195</b>	F4B-SCM-208	@	F4B-SCM-208-NL	<b>126326</b>	F4B-SCM-208-FF
	2-11/16	<b>124261</b>	F4B-SC-211	@	F4B-SC-211-NL	<b>064453</b>	F4B-SC-211-FF
	70mm	<b>125895</b>	F4B-SC-70M	@	F4B-SC-70M-NL	@	F4B-SC-70M-FF
215	2-15/16	<b>124220</b>	F4B-SC-215	<b>052291</b>	F4B-SC-215-NL	<b>068606</b>	F4B-SC-215-FF
	75mm	<b>125896</b>	F4B-SC-75M	<b>068573</b>	F4B-SC-75M-NL	@	F4B-SC-75M-FF

@ Assembled to order

FEATURES/BENEFITS  
PAGE B3-2

NOMENCLATURE  
PAGE B3-4

SELECTION  
PAGE B3-5

RELATED PRODUCTS  
PAGE B3-133



# SELECTION/DIMENSIONS



## Setscrew Ball Bearings SC NORMAL DUTY 4-BOLT FLANGE BEARINGS

Series	Shaft Size	Weight lbs. kgs.	A	B	C	D	F Bolt Dia.	H	J	L	N
208	1-1/2	4.8	1-11/16	5-1/8	1-7/8	4	1/2	9/16	17/32	2-3/64	2-3/8
	1-5/8	4.7									
	40mm	2.1	42.9	130.2	47.6	101.6	M12	14.3	13.5	52.0	60.3
209	1-5/8	6.1	1-23/32	5-3/8	1-15/16	4-1/8	1/2	5/8	17/32	2-7/32	2-3/4
	1-11/16	6.0									
	1-3/4	5.9									
	45mm	2.7	43.7	136.5	49.2	104.8	M14	15.9	13.5	56.4	69.9
210	1-15/16	6.7	1-3/4	5-5/8	2	4-3/8	1/2	5/8	17/32	2-7/16	2-7/8
	2	6.6									
	50mm	3.0	44.5	142.9	50.8	111.1	M16	15.9	13.5	61.9	73.0
211	2	9.3	1-27/32	6-1/2	2-5/32	5-1/8	5/8	11/16	9/16	2-23/32	3-1/4
	2-3/16	9.0									
	2-1/4	8.9									
	55mm	4.1	46.8	165.1	54.8	130.2	M16	17.5	14.3	69.1	82.6
212	2-1/4	11.1	1-63/64	6-7/8	2-9/32	5-5/8	5/8	11/16	9/16	2-31/32	3-1/2
	2-7/16	10.6									
	60mm	6.0	50.4	174.6	57.9	142.9	M16	17.5	14.3	75.4	88.9
214	2-1/2	16.0	2-15/64	7-3/8	2-3/4	5-7/8	5/8	11/16	9/16	3-5/16	3-11/16
	2-11/16	15.4									
	70mm	6.9	56.8	187.3	69.9	149.2	M16	17.5	14.3	84.1	93.7
215	2-15/16	17.6	2-9/32	7-3/4	2-57/64	6	3/4	1	41/64	3-5/8	3-7/8
	75mm	8.0	57.9	196.9	73.4	152.4	M18	25.4	16.3	92.1	98.4

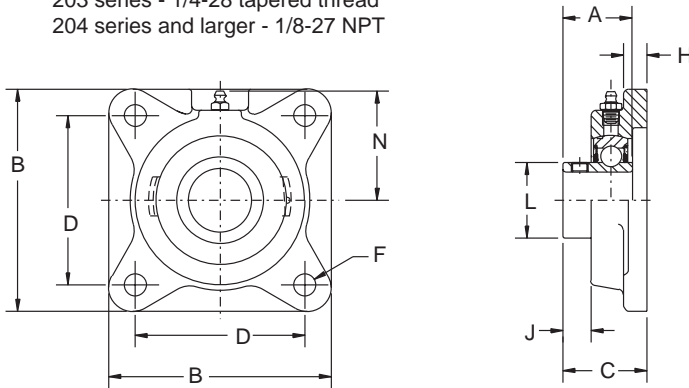
FEATURES/BENEFITS PAGE B3-2	NOMENCLATURE PAGE B3-4	SELECTION PAGE B3-5	RELATED PRODUCTS PAGE B3-133
--------------------------------	---------------------------	------------------------	---------------------------------

# SELECTION/DIMENSIONS



## Setscrew Ball Bearings SCAH NORMAL DUTY AIR HANDLING 4-BOLT FLANGE BEARINGS

**Lube Fitting Thread Size:**  
203 series - 1/4-28 tapered thread  
204 series and larger - 1/8-27 NPT



Series	Shaft Size	Part No.	Description
204	1/2	<b>051931</b>	F4B-SCAH-008L
	5/8	<b>050130</b>	F4B-SCAH-010L
	3/4	<b>123740</b>	F4B-SCAH-012
	20mm	@	F4B-SCAH-20M
205	7/8	<b>068301</b>	F4B-SCAH-014
	15/16	<b>124246</b>	F4B-SCAH-015
	1	<b>123741</b>	F4B-SCAH-100
	25mm	<b>058736</b>	F4B-SCAH-25M
206	1-1/16	@	F4B-SCAH-101
	1-1/8	<b>064335</b>	F4B-SCAH-102
	1-3/16	<b>123742</b>	F4B-SCAH-103
	1-1/4	@	F4B-SCAH-104S
207	30mm	<b>054726</b>	F4B-SCAH-30M
	1-1/4	<b>123743</b>	F4B-SCAH-104
	1-5/16	@	F4B-SCAH-105
	1-3/8	<b>068785</b>	F4B-SCAH-106
208	1-7/16	<b>123744</b>	F4B-SCAH-107
	35mm	<b>064911</b>	F4B-SCAH-35M
	1-1/2	<b>123745</b>	F4B-SCAH-108
	1-5/8	@	F4B-SCAH-110
	40mm	<b>064912</b>	F4B-SCAH-40M

@ Assembled to order

FEATURES/BENEFITS PAGE B3-2	NOMENCLATURE PAGE B3-4	SELECTION PAGE B3-5	RELATED PRODUCTS PAGE B3-133
--------------------------------	---------------------------	------------------------	---------------------------------

# SELECTION/DIMENSIONS



## Setscrew Ball Bearings SCAH NORMAL DUTY AIR HANDLING 4-BOLT FLANGE BEARINGS

Series	Shaft Size	Weight lbs. kgs	A	B	C	D	F Bolt Dia.	H	J	L	N
204	1/2	1.8	1-5/32	3-3/8	1-3/8	2-1/2	3/8	7/16	25/64	1-1/8	1-15/16
	5/8	1.7									
	3/4	1.6									
	20mm	0.8	29.4	85.7	34.9	63.5	M10	11.1	9.9	28.6	49.2
205	7/8	2.0	1-3/16	3-3/4	1-23/64	2-3/4	7/16	1/2	25/64	1-21/64	2-1/6
	15/16	1.9									
	1	1.8									
	25mm	0.9	30.2	95.3	34.5	69.9	M10	12.7	9.9	33.7	52.4
206	1-1/16	2.9	1-25/64	4-1/4	1-17/32	3-1/4	7/16	1/2	15/32	1-37/64	2-3/16
	1-1/8	2.8									
	1-3/16	2.7									
	30mm	1.3	35.3	108.0	38.9	82.6	M10	12.7	11.9	40.1	55.6
207	1-1/4	4.0	1-17/32	4-3/4	1-3/4	3-5/8	1/2	9/16	17/32	1-27/32	2-7/16
	1-5/16	3.9									
	1-3/8	3.8									
	35mm	1.7	38.9	120.7	44.5	92.1	M12	14.3	13.5	46.8	61.9
208	1-1/2	4.8	1-11/16	5-1/8	1-7/8	4	1/2	9/16	17/32	2-3/64	2-3/8
	1-5/8	4.7									
	40mm	2.1	42.9	130.2	47.6	101.6	M12	14.3	13.5	52.0	60.3

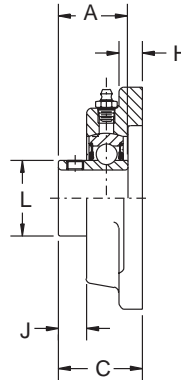
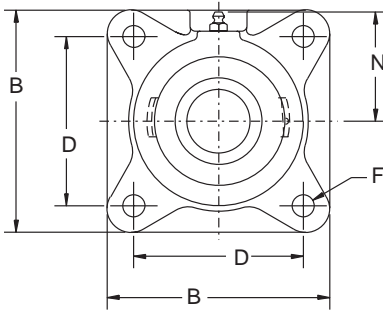
FEATURES/BENEFITS PAGE B3-2	NOMENCLATURE PAGE B3-4	SELECTION PAGE B3-5	RELATED PRODUCTS PAGE B3-133
--------------------------------	---------------------------	------------------------	---------------------------------

# SELECTION/DIMENSIONS



## Setscrew Ball Bearings SCAH NORMAL DUTY AIR HANDLING 4-BOLT FLANGE BEARINGS

**Lube Fitting Thread Size:**  
203 series - 1/4-28 tapered thread  
204 series and larger - 1/8-27 NPT



Series	Shaft Size	Part No.	Description
209	1-5/8	@	F4B-SCAH-110L
	1-11/16	<b>123746</b>	F4B-SCAH-111
	1-3/4	<b>123747</b>	F4B-SCAH-112
	45mm	@	F4B-SCAH-45M
210	1-15/16	<b>123748</b>	F4B-SCAH-115
	2	<b>064853</b>	F4B-SCAH-200
	50mm	<b>064913</b>	F4B-SCAH-50M
211	2	@	F4B-SCMAH-200
	2-3/16	<b>123749</b>	F4B-SCAH-203
	2-1/4	@	F4B-SCAH-204
	55mm	@	F4B-SCAH-55M
212	2-1/4	@	F4B-SCMAH-204
	2-7/16	<b>123750</b>	F4B-SCAH-207
	60mm	@	F4B-SCAH-60M
214	2-1/2	<b>050662</b>	F4B-SCMAH-208
	2-11/16	<b>124395</b>	F4B-SCAH-211
	70mm	@	F4B-SCAH-70M
215	2-15/16	<b>123751</b>	F4B-SCAH-215
	75mm	@	F4B-SCAH-75M

@ Assembled to order

FEATURES/BENEFITS PAGE B3-2	NOMENCLATURE PAGE B3-4	SELECTION PAGE B3-5	RELATED PRODUCTS PAGE B3-133
--------------------------------	---------------------------	------------------------	---------------------------------

# SELECTION/DIMENSIONS



## Setscrew Ball Bearings SCAH NORMAL DUTY AIR HANDLING 4-BOLT FLANGE BEARINGS

Bearing Quick Reference

E-Z KLEEN

GRIP TIGHT Adapter Ball Bearing

Set Screw Ball Bearing

Eccentric Collar Ball Bearing

Series	Shaft Size	Weight lbs. kgs	A	B	C	D	F Bolt Dia.	H	J	L	N
209	1-5/8	6.1	1-23/32	5-3/8	1-15/16	4-1/8	1/2	5/8	17/32	2-7/32	2-3/4
	1-11/16	6.0									
	1-3/4	5.9									
	45mm	2.7	43.7	136.5	49.2	104.8	M14	15.9	13.5	56.4	69.9
210	1-15/16	6.7	1-3/4	5-5/8	2	4-3/8	1/2	5/8	17/32	2-7/16	2-7/8
	2	6.6									
	50mm	3.0	44.5	142.9	50.8	111.1	M16	15.9	13.5	61.9	73.0
211	2	9.3	1-27/32	6-1/2	2-5/32	5-1/8	5/8	11/16	9/16	2-23/32	3-1/4
	2-3/16	9.0									
	2-1/4	8.9									
	55mm	4.1	46.8	165.1	54.8	130.2	M16	17.5	14.3	69.1	82.6
212	2-1/4	11.1	1-63/64	6-7/8	2-9/32	5-5/8	5/8	11/16	9/16	2-31/32	3-1/2
	2-7/16	10.6									
	60mm	6.0	50.4	174.6	57.9	142.9	M16	7.5	14.3	75.4	88.9
214	2-1/2	16.0	2-15/64	7-3/8	2-3/4	5-7/8	5/8	11/16	9/16	3-5/16	3-11/16
	2-11/16	15.4									
	70mm	6.9	56.8	187.3	69.9	149.2	M16	17.5	14.3	84.1	93.7
215	2-15/16	17.6	2-9/32	7-3/4	2-57/64	6	3/4	1	41/64	3-5/8	3-7/8
	75mm	8.0	57.9	196.9	73.4	152.4	M18	25.4	16.3	92.1	98.4

FEATURES/BENEFITS PAGE B3-2	NOMENCLATURE PAGE B3-4	SELECTION PAGE B3-5	RELATED PRODUCTS PAGE B3-133
--------------------------------	---------------------------	------------------------	---------------------------------

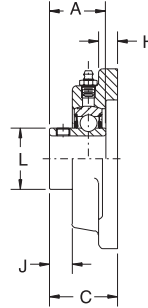
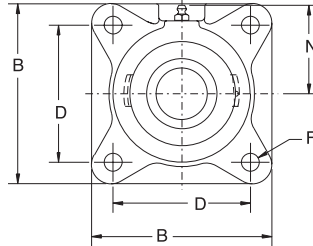
# SELECTION/DIMENSIONS

# DODGE®



## Setscrew Ball Bearings SCM MEDIUM DUTY 4-BOLT FLANGE BEARINGS

**Lube Fitting Thread Size:**  
203 - 204 series - 1/4-28 tapered thread  
207 - 207 series - 1/8-27 NPT



Series	Shaft Size	Standard		No-Lube/Sealed for Life (-NL)		With Flingers	
		Part No.	Description	Part No.	Description	Part No.	Description
206	1 25mm	<b>126226</b>	F4B-SCM-100	<b>052017</b>	F4B-SCM-100-NL	@	F4B-SCM-100-FF
		<b>125965</b>	<i>F4B-SCM-25M</i>	@	<i>F4B-SCM-25M-NL</i>	@	<i>F4B-SCM-25M-FF</i>
207	1-3/16 1-1/4 30mm	<b>126227</b>	F4B-SCM-103	@	F4B-SCM-103-NL	<b>064681</b>	F4B-SCM-103-FF
		<b>124206</b>	F4B-SC-104	<b>126528</b>	F4B-SC-104-NL	<b>052508</b>	F4B-SC-104-FF
208	1-7/16 35mm	<b>126187</b>	F4B-SCM-107	@	F4B-SCM-107-NL	<b>053197</b>	F4B-SCM-107-FF
		<b>125967</b>	<i>F4B-SCM-35M</i>	@	<i>F4B-SCM-35M-NL</i>	@	<i>F4B-SCM-35M-FF</i>
209	1-1/2 1-5/8 40mm	<b>126188</b>	F4B-SCM-108	<b>062897</b>	F4B-SCM-108-NL	<b>054856</b>	F4B-SCM-108-FF
		<b>125170</b>	F4B-SC-110L	@	F4B-SC-110L-NL	@	F4B-SC-110L-FF
210	1-11/16 1-3/4 45mm	<b>126189</b>	F4B-SCM-111	<b>065576</b>	F4B-SCM-111-NL	<b>050137</b>	F4B-SCM-111-FF
		<b>126190</b>	F4B-SCM-112	@	F4B-SCM-112-NL	<b>126274</b>	F4B-SCM-112-FF
211	1-15/16 2 50mm	<b>126191</b>	F4B-SCM-115	<b>052302</b>	F4B-SCM-115-NL	<b>126115</b>	F4B-SCM-115-FF
		<b>126192</b>	F4B-SCM-200	<b>052004</b>	F4B-SCM-200-NL	<b>126132</b>	F4B-SCM-200-FF
212	2-3/16 2-1/4 55mm	<b>126193</b>	F4B-SCM-203	<b>052003</b>	F4B-SCM-203-NL	<b>050276</b>	F4B-SCM-203-FF
		<b>126283</b>	F4B-SCM-204	<b>126537</b>	F4B-SCM-204-NL	<b>054482</b>	F4B-SCM-204-FF
214	2-7/16 2-1/2 65mm	<b>126194</b>	F4B-SCM-207	<b>052002</b>	F4B-SCM-207-NL	<b>126116</b>	F4B-SCM-207-FF
		<b>126195</b>	F4B-SCM-208	<b>065653</b>	F4B-SCM-208-NL	<b>126326</b>	F4B-SCM-208-FF
215	2-11/16 70mm	<b>126186</b>	F4B-SCM-211	@	F4B-SCM-211-NL	<b>064715</b>	F4B-SCM-211-FF
		<b>125973</b>	<i>F4B-SCM-70M</i>	@	<i>F4B-SCM-70M-NL</i>	@	<i>F4B-SCM-70M-FF</i>
216	2-15/16 3 75mm	<b>126196</b>	F4B-SCM-215	<b>126538</b>	F4B-SCM-215-NL	<b>051599</b>	F4B-SCM-215-FF
		<b>126197</b>	F4B-SCM-300	<b>126539</b>	F4B-SCM-300-NL	<b>126781</b>	F4B-SCM-300-FF
218	3-7/16 3-1/2 85mm	<b>125974</b>	<i>F4B-SCM-75M</i>	@	<i>F4B-SCM-75M-NL</i>	@	<i>F4B-SCM-75M-FF</i>
		<b>126198</b>	F4B-SCM-307	<b>126540</b>	F4B-SCM-307-NL	<b>126271</b>	F4B-SCM-307-FF
		<b>126199</b>	F4B-SCM-308	<b>126541</b>	F4B-SCM-308-NL	<b>056713</b>	F4B-SCM-308-FF
		<b>125975</b>	<i>F4B-SCM-85M</i>	@	<i>F4B-SCM-85M-NL</i>	@	<i>F4B-SCM-85M-FF</i>

@ Assembled to order

FEATURES/BENEFITS PAGE B3-2	NOMENCLATURE PAGE B3-4	SELECTION PAGE B3-5	RELATED PRODUCTS PAGE B3-133
--------------------------------	---------------------------	------------------------	---------------------------------

# SELECTION/DIMENSIONS



## Setscrew Ball Bearings SCM MEDIUM DUTY 4-BOLT FLANGE BEARINGS

Series	Shaft Size	Weight lbs. kgs.	A	B	C	D	F Bolt Dia.	H	J	L	N
206	1	3.0	1-25/64	4-1/4	1-17/32	3-1/4	7/16	1/2	15/32	1-37/64	2-3/16
	25mm	1.3	35.3	108.0	38.9	82.6	M10	12.7	11.9	40.1	55.6
207	1-3/16	4.1	1-17/32	4-3/4	1-3/4	3-5/8	1/2	9/16	17/32	1-27/32	2-7/16
	1-1/4 30mm	4.0 1.4	38.9	120.7	44.5	92.1	M12	14.3	13.5	46.8	61.9
208	1-7/16	5.0	1-11/16	5-1/8	1-7/8	4	1/2	9/16	17/32	2-3/64	2-3/8
	35mm	2.1	42.9	130.2	47.6	101.6	M12	14.3	13.5	52.0	60.3
209	1-1/2	6.1	1-23/32	5-3/8	1-15/16	4-1/8	1/2	5/8	17/32	2-7/32	2-3/4
	1-5/8 40mm	6.1 2.7	43.7	136.5	49.2	104.8	M14	15.9	13.5	56.4	69.9
210	1-11/16	7.1	1-3/4	5-5/8	2	4-3/8	1/2	5/8	17/32	2-7/16	2-7/8
	1-3/4 45mm	6.9 3.0	44.5	142.9	50.8	111.1	M16	15.9	13.5	61.9	73.0
211	1-15/16	9.5	1-27/32	6-1/2	2-5/32	5-1/8	5/8	11/16	9/16	2-23/32	3-1/4
	2 50mm	9.3 4.1	46.8	165.1	54.8	130.2	M16	17.5	14.3	69.1	82.6
212	2-3/16	11.3	1-63/64	6-7/8	2-9/32	5-5/8	5/8	11/16	9/16	2-31/32	3-1/2
	2-1/4 55mm	11.1 6.0	50.4	174.6	57.9	142.9	M16	17.5	14.3	75.4	88.9
214	2-7/16	16.2	2-15/64	7-3/8	2-3/4	5-7/8	5/8	11/16	9/16	3-5/16	3-11/16
	2-1/2 65mm	16.0 7.3	56.8	187.3	69.9	149.2	M16	17.5	14.3	84.1	93.7
215	2-11/16	18.3	2-9/32	7-3/4	2-57/64	6.0	3/4	1	41/64	3-5/8	3-7/8
	70mm	8.0	57.9	196.9	73.4	152.4	M18	25.4	16.3	92.1	98.4
216	2-15/16	21.5	2-11/32	7-3/4	3-3/32	6	3/4	7/8	19/32	3-53/64	4-3/32
	3 75mm	21.2 9.4	59.5	196.9	78.6	152.4	M18	22.2	15.1	97.2	104.0
218	3-7/16	28.0	2-31/64	8-7/16	3-11/32	6-3/4	3/4	1	9/16	4-23/64	4-5/8
	3-1/2 85mm	27.4 12.2	63.1	214.3	84.9	171.5	M18	25.4	14.3	110.7	117.5

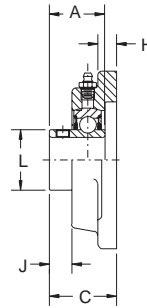
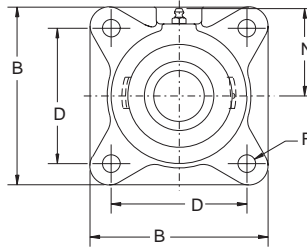
FEATURES/BENEFITS PAGE B3-2	NOMENCLATURE PAGE B3-4	SELECTION PAGE B3-5	RELATED PRODUCTS PAGE B3-133
--------------------------------	---------------------------	------------------------	---------------------------------

# SELECTION/DIMENSIONS



## Setscrew Ball Bearings SCMAH AIR HANDLING MEDIUM DUTY 4-BOLT FLANGE BEARINGS

**Lube Fitting Thread Size:**  
203 series - 1/4-28 tapered thread  
204 series and larger - 1/8-27 NPT



Series	Shaft Size	Part No.	Description
206	1	<b>053901</b>	F4B-SCMAH-100
	25mm	@	F4B-SCMAH-25M
207	1-3/16	<b>050132</b>	F4B-SCMAH-103
	1-1/4	<b>123743</b>	F4B-SCAH-104
	30mm	@	F4B-SCMAH-30M
208	1-7/16	<b>123760</b>	F4B-SCMAH-107
	35mm	@	F4B-SCMAH-35M
209	1-1/2	<b>123761</b>	F4B-SCMAH-108
	1-5/8	@	F4B-SCAH-110L
	40mm	@	F4B-SCMAH-40M
210	1-11/16	<b>123762</b>	F4B-SCMAH-111
	1-3/4	<b>123763</b>	F4B-SCMAH-112
	45mm	<b>067829</b>	F4B-SCMAH-45M
211	1-15/16	<b>123764</b>	F4B-SCMAH-115
	2	@	F4B-SCMAH-200
	50mm	@	F4B-SCMAH-50M
212	2-3/16	<b>123765</b>	F4B-SCMAH-203
	2-1/4	<b>064586</b>	F4B-SCMAH-204
	55mm	@	F4B-SCMAH-55M
214	2-7/16	<b>123766</b>	F4B-SCMAH-207
	2-1/2	<b>050662</b>	F4B-SCMAH-208
	65mm	@	F4B-SCMAH-65M
215	2-11/16	<b>123767</b>	F4B-SCMAH-211
	70mm	@	F4B-SCMAH-70M
216	2-15/16	<b>123768</b>	F4B-SCMAH-215
	3	@	F4B-SCMAH-300
	75mm	@	F4B-SCM-75M
218	3-7/16	<b>123769</b>	F4B-SCMAH-307
	3-1/2	<b>057709</b>	F4B-SCMAH-308
	85mm	@	F4B-SCMAH-85M

@ Assembled to order

FEATURES/BENEFITS PAGE B3-2	NOMENCLATURE PAGE B3-4	SELECTION PAGE B3-5	RELATED PRODUCTS PAGE B3-133
--------------------------------	---------------------------	------------------------	---------------------------------



# SELECTION/DIMENSIONS



## Setscrew Ball Bearings SCMAH AIR HANDLING MEDIUM DUTY 4-BOLT FLANGE BEARINGS

Series	Shaft Size	Weight lbs kgs	A	B	C	D	F Bolt Dia.	H	J	L	N
206	1	3.0	1-25/64	4-1/4	1-17/32	3-1/4	7/16	1/2	15/32	1-37/64	2-3/16
	25mm	1.3	35.3	108.0	38.9	82.6	M10	12.7	11.9	40.1	55.6
207	1-3/16	4.1	1-17/32	4-3/4	1-3/4	3-5/8	1/2	9/16	17/32	1-27/32	2-7/16
	1-1/4 30mm	1.7	38.9	120.7	44.5	92.1	M12	14.3	13.5	46.8	61.9
208	1-7/16	5.0	1-11/16	5-1/8	1-7/8	4	1/2	9/16	17/32	2-3/64	2-3/8
	35mm	2.1	42.9	130.2	47.6	101.6	M12	14.3	13.5	52.0	60.3
209	1-1/2	6.1	1-23/32	5-3/8	1-15/16	4-1/8	1/2	5/8	17/32	2-7/32	2-3/4
	1-5/8 40mm	2.7	43.7	136.5	49.2	104.8	M14	15.9	13.5	56.4	69.9
210	1-11/16	7.1	1-3/4	5-5/8	2	4-3/8	1/2	5/8	17/32	2-7/16	2-7/8
	1-3/4 45mm	3.0	44.5	142.9	50.8	111.1	M16	15.9	13.5	61.9	73.0
211	1-15/16	9.5	1-27/32	6-1/2	2-5/32	5-1/8	5/8	11/16	9/16	2-23/32	3-1/4
	2 50mm	4.1	46.8	165.1	54.8	130.2	M16	17.5	14.3	69.1	82.6
212	2-3/16	11.3	1-63/64	6-7/8	2-9/32	5-5/8	5/8	11/16	9/16	2-31/32	3-1/2
	2-1/4 55mm	6.0	50.4	174.6	57.9	142.9	M16	17.5	14.3	75.4	88.9
214	2-7/16	16.2	2-15/64	7-3/8	2-3/4	5-7/8	5/8	11/16	9/16	3-5/16	3-11/16
	2-1/2 65mm	7.3	56.8	187.3	69.9	149.2	M16	17.5	14.3	84.1	93.7
215	2-11/16	18.3	2-9/32	7-3/4	2-57/64	6	3/4	1	41/64	3-5/8	3-7/8
	70mm	8.0	57.9	196.9	73.4	152.4	M18	25.4	16.3	92.1	98.4
216	2-15/16	21.5	2-11/32	7-3/4	3-3/32	6	3/4	7/8	19/32	3-53/64	4-3/32
	3 75mm	9.4	59.5	196.9	78.6	152.4	M18	22.2	15.1	97.2	104.0
218	3-7/16	28.0	2-31/64	8-7/16	3-11/32	6-3/4	3/4	1	9/16	4-23/64	4-5/8
	3-1/2 85mm	12.2	63.1	214.3	84.9	171.5	M18	25.4	14.3	110.7	117.5

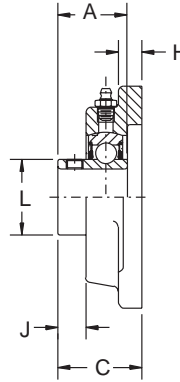
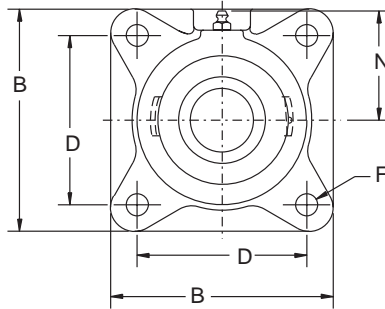
FEATURES/BENEFITS PAGE B3-2	NOMENCLATURE PAGE B3-4	SELECTION PAGE B3-5	RELATED PRODUCTS PAGE B3-133
--------------------------------	---------------------------	------------------------	---------------------------------

# SELECTION/DIMENSIONS



## Setscrew Ball Bearings VSC INTERMEDIATE DUTY 4-BOLT FLANGE BEARINGS

**Lube Fitting Thread Size:**  
203 series - 1/4-28 tapered thread  
204 series and larger - 1/8-27 NPT



Series	Shaft Size	Standard		No-Lube/Sealed for Life (-NL)	
		Part No.	Description	Part No.	Description
203	1/2	<b>125524</b>	F4B-VSC-008	@	F4B-VSC-008-NL
	5/8	<b>125525</b>	F4B-VSC-010	@	F4B-VSC-010-NL
	17mm	<b>125694</b>	F4B-VSC-17M	@	F4B-VSC-17MNL
204	3/4	<b>123625</b>	F4B-VSC-012	@	F4B-VSC-012-NL
	20mm	<b>125695</b>	F4B-VSC-20M	@	F4B-VSC-20M-NL
205	7/8	<b>125526</b>	F4B-VSC-014	@	F4B-VSC-014-NL
	15/16	<b>125527</b>	F4B-VSC-015	@	F4B-VSC-015-NL
	1 25mm	<b>123626</b> <b>125696</b>	F4B-VSC-100 F4B-VSC-25M	<b>062509</b> @	F4B-VSC-100-NL F4B-VSC-25M-NL
206	1-1/8	<b>125528</b>	F4B-VSC-102	@	F4B-VSC-102-NL
	1-3/16	<b>123627</b>	F4B-VSC-103	@	F4B-VSC-103-NL
	1-1/4 30mm	<b>123634</b> <b>125697</b>	F4B-VSC-104S F4B-VSC-30M	@ @	F4B-VSC-104S-NL F4B-VSC-30M-NL
207	1-1/4	<b>123628</b>	F4B-VSC-104	<b>051891</b>	F4B-VSC-104-NL
	1-3/8	<b>125529</b>	F4B-VSC-106	@	F4B-VSC-106-NL
	1-7/16 35mm	<b>123629</b> <b>125698</b>	F4B-VSC-107 F4B-VSC-40M	<b>050844</b> @	F4B-VSC-107-NL F4B-VSC-40M-NL
208	1-1/2	<b>123630</b>	F4B-VSC-108	<b>051892</b>	F4B-VSC-108-NL
	40mm	<b>125699</b>	F4B-VSC-40M	@	F4B-VSC-40M-NL
209	1-11/16	<b>125530</b>	F4B-VSC-111	<b>050836</b>	F4B-VSC-111-NL
	1-3/4	<b>125531</b>	F4B-VSC-112	@	F4B-VSC-112-NL
	45mm	<b>125700</b>	F4B-VSC-45M	@	F4B-VSC-45M-NL
210	1-15/16	<b>123631</b>	F4B-VSC-115	@	F4B-VSC-115-NL
	2	<b>123632</b>	F4B-VSC-200	<b>068716</b>	F4B-VSC-200-NL
	50mm	<b>125701</b>	F4B-VSC-50M	@	F4B-VSC-50M-NL
211	2	<b>123652</b>	F4B-VSC-200L	@	F4B-VSC-200L-NL
	2-3/16 55mm	<b>123633</b> <b>125702</b>	F4B-VSC-203 F4B-VSC-55M	<b>068809</b> @	F4B-VSC-203-NL F4B-VSC-55M-NL

@Assembled to order

FEATURES/BENEFITS PAGE B3-2	NOMENCLATURE PAGE B3-4	SELECTION PAGE B3-5	RELATED PRODUCTS PAGE B3-133
--------------------------------	---------------------------	------------------------	---------------------------------

# SELECTION/DIMENSIONS



## Setscrew Ball Bearings VSC INTERMEDIATE DUTY 4-BOLT FLANGE BEARINGS

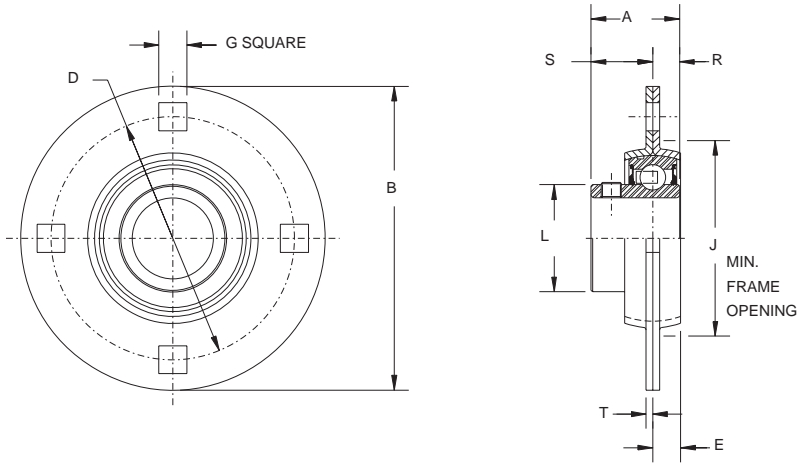
Series	Shaft Size	Weight lbs. kg	A	B	C	D	F Bolt Dia.	H	J	L	N
203	1/2	1.08	15/16	3	1-3/16	2-1/8	3/8	7/16	11/32	31/32	1-11/16
	5/8	1.00									
	17mm	0.48	23.8	76.2	30.2	54.0	M10	11.1	8.7	24.6	42.9
204	3/4	1.50	1-1/16	3-3/8	1-3/8	2-1/2	3/8	7/16	25/64	1-1/8	1-15/16
	20mm	0.67	27.0	85.7	34.9	63.5	M10	11.1	9.9	28.6	49.2
205	7/8	1.98	1-3/32	3-3/4	1-23/64	2-3/4	7/16	1/2	25/64	1-21/64	2-1/16
	15/16	1.86									
	1	1.62									
206	25mm	0.84	27.8	95.3	34.5	69.9	M10	12.7	9.9	33.7	52.4
	1-1/8	2.78	1-19/64	4-1/4	1-17/32	3-1/4	7/16	1/2	15/32	1-37/64	2-3/16
	1-3/16	2.68									
207	1-1/4	2.50									
	1-3/8	2.88	1-7/16	4-3/4	1-3/4	3-5/8	1/2	9/16	17/32	1-27/32	2-7/16
	1-7/16	2.50									
208	35mm	1.28	36.5	120.7	44.5	92.1	M12	14.3	13.5	46.8	61.9
	1-1/2	4.50	1-9/16	5-1/8	1-7/8	4	1/2	9/16	17/32	2-3/64	2-3/8
	40mm	2.00	39.7	130.2	47.6	101.6	M12	14.3	13.5	52.0	60.3
209	1-11/16	5.45	1-19/32	5-3/8	1-15/16	4-1/8	1/2	5/8	17/32	2-7/32	2-3/4
	1-3/4	5.35									
210	45mm	2.42	40.5	136.5	49.2	104.8	M14	15.9	13.5	56.4	69.9
	1-15/16	6.25	1-5/8	5-5/8	2	4-3/8	1/2	5/8	17/32	2-7/16	2-7/8
	2	6.00									
211	50mm	2.33	41.3	142.9	50.8	111.1	M16	15.9	13.5	61.9	73.0
	2	9.28	1-23/32	6-1/2	2-5/32	5-1/8	5/8	11/16	9/16	2-23/32	3-1/4
	2-3/16	9.00									
	55mm	4.12	43.7	165.1	54.8	130.2	M16	17.5	14.3	69.1	82.6

FEATURES/BENEFITS PAGE B3-2	NOMENCLATURE PAGE B3-4	SELECTION PAGE B3-5	RELATED PRODUCTS PAGE B3-133
--------------------------------	---------------------------	------------------------	---------------------------------

# SELECTION/DIMENSIONS



## Setscrew Ball Bearings SL LIGHT DUTY 4-BOLT FLANGE BEARINGS



Series	Shaft Size	Part No.	Description
208	1-1/2 40mm	<b>128088</b> <b>067868</b>	F4B-SL-108 F4B-SL-40M
210	1-15/16 2 50mm	<b>128089</b> <b>128090</b> @	F4B-SL-115 F4B-SL-200 F4B-SL-50M
211	2 2-3/16 55mm	<b>128182</b> <b>128091</b> @	F4B-SL-200L F4B-SL-203 F4B-SL-55M

@ Assembled to order

FEATURES/BENEFITS PAGE B3-2	NOMENCLATURE PAGE B3-4	SELECTION PAGE B3-5	RELATED PRODUCTS PAGE B3-133
--------------------------------	---------------------------	------------------------	---------------------------------

# SELECTION/DIMENSIONS



## Setscrew Ball Bearings SL LIGHT DUTY 4-BOLT FLANGE BEARINGS

Series	Shaft Size	Weight lbs. kg.	A	B	D	E	G*	J	L	R	S	T	Load Rating (lbs)
208	1-1/2	2.64	1-9/16	5-13/16	4-11/16	13/32	17/32	3-9/16	2-3/64	15/32	13/32	0.134	1,700
	40mm	1.15	39.7	147.6	119.1	10.3	13.5	1.55	52.0	11.3	27.8	3.4	7,556
210	1-15/16	2.95	1-5/8	6-1/8	5	7/16	17/32	4	2-7/16	15/32	1-5/32	0.149	1,900
	2	2.86	41.3	155.6	127.0	11.1	13.5	1.74	61.9	11.3	29.4	3.8	8,444
211	50mm	1.28	43.7	166.7	138.1	11.9	13.5	1.93	69.1	12.7	31.0	3.8	10,222
	2	3.73	1-23/32	6-9/16	5-7/16	15/32	17/32	4-7/16	2-23/32	1/2	1-7/32	0.149	2,300
	2-3/16	3.63	43.7	166.7	138.1	11.9	13.5	1.93	69.1	12.7	31.0	3.8	10,222
	55mm	1.62	43.7	166.7	138.1	11.9	13.5	1.93	69.1	12.7	31.0	3.8	10,222

\* Mounting bolt holes will accept either carriage or machine bolts.

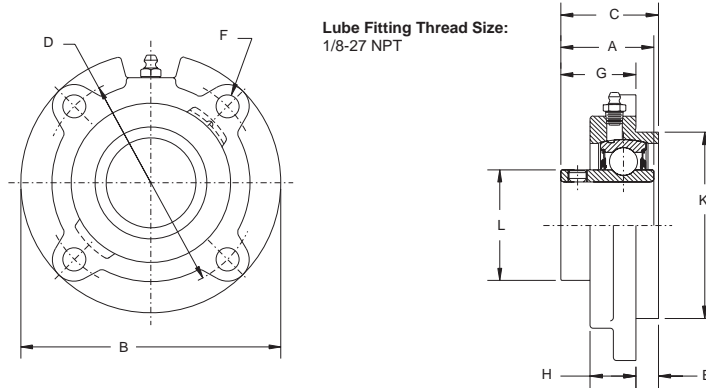
FEATURES/BENEFITS PAGE B3-2	NOMENCLATURE PAGE B3-4	SELECTION PAGE B3-5	RELATED PRODUCTS PAGE B3-133
--------------------------------	---------------------------	------------------------	---------------------------------

# SELECTION/DIMENSIONS

# DODGE®



## Setscrew Ball Bearings SC NORMAL DUTY PILOTED FLANGE BEARINGS



Lube Fitting Thread Size:  
1/8-27 NPT

Series	Shaft Size	Part No.	Description
206	1-1/16	<b>124578</b>	FC-SC-101
	1-1/8	<b>124582</b>	FC-SC-102
	1-3/16	<b>124579</b>	FC-SC-103
	1-1/4	<b>124587</b>	FC-SC-104S
	30mm	<b>125865</b>	FC-SC-30M
207	1-1/4	<b>124224</b>	FC-SC-104
	1-5/16	<b>124237</b>	FC-SC-105
	1-3/8	<b>124235</b>	FC-SC-106
	1-7/16	<b>124236</b>	FC-SC-107
	35mm	<b>125866</b>	FC-SC-35M
208	1-1/2	<b>124225</b>	FC-SC-108
	1-5/8	<b>124226</b>	FC-SC-110
209	40mm	<b>125867</b>	FC-SC-40M
	1-5/8	<b>065644</b>	FC-SC-110L
	1-11/16	<b>124227</b>	FC-SC-111
	1-3/4	<b>124228</b>	FC-SC-112
210	45mm	<b>125868</b>	FC-SC-45M
	1-15/16	<b>124229</b>	FC-SC-115
	2	<b>124230</b>	FC-SC-200
211	50mm	<b>125869</b>	FC-SC-50M
	2	<b>126175</b>	FC-SCM-200
	2-3/16	<b>124231</b>	FC-SC-203
	2-1/4	<b>124232</b>	FC-SC-204
212	55mm	<b>125870</b>	FC-SC-55M
	2-1/4	<b>126177</b>	FC-SCM-204
	2-7/16	<b>124233</b>	FC-SC-207
214	60mm	<b>125871</b>	FC-SC-60M
	2-1/2	<b>126179</b>	FC-SCM-208
	2-11/16	<b>124729</b>	FC-SC-211
	70mm	<b>125872</b>	FC-SC-70M

@ Assembled to order

FEATURES/BENEFITS  
PAGE B3-2

NOMENCLATURE  
PAGE B3-4

SELECTION  
PAGE B3-5

RELATED PRODUCTS  
PAGE B3-133

# SELECTION/DIMENSIONS



## Setscrew Ball Bearings SC NORMAL DUTY PILOTED FLANGE BEARINGS

Series	Shaft Size	Weight lbs. kgs.	A	B	C	D	E	F Bolt Dia.	G	H	K*	L
206	1-1/16	3.2	1-25/64	4-3/8	1-1/2	3-5/8	1/4	3/8	1-1/4	13/16	3	1-37/64
	1-1/8	3.1										
	1-3/16	3.0										
	1-1/4	2.9										
	30mm	1.3	35.3	111.1	38.1	92.1	6.4	M10	31.8	20.6	76.2	40.1
207	1-1/4	4.2	1-17/32	5	1-49/64	4-1/8	3/8	3/8	1-25/64	27/32	3-3/8	1-27/32
	1-5/16	4.1										
	1-3/8	4.0										
	1-7/16	3.9										
	35mm	1.8	38.9	127.0	44.8	104.8	9.5	M10	35.3	21.4	85.7	46.8
208	1-1/2	4.6	1-11/16	5-1/4	1-57/64	4-3/8	7/16	7/16	1-29/64	57/64	3-5/8	2-3/64
	1-5/8	4.5										
	40mm	2.0	42.9	133.4	48.0	111.1	11.1	M12	36.9	22.6	92.1	52.0
209	1-5/8	5.6	1-23/32	5-3/4	1-57/64	4-3/4	7/16	1/2	1-29/64	29/32	4	2-7/32
	1-11/16	5.5										
	1-3/4	5.4										
	45mm	2.4	43.7	146.1	48.0	120.7	11.1	M12	36.9	23.0	101.6	56.4
210	1-15/16	6.4	1-3/4	6-1/8	1-61/64	5-1/8	15/32	1/2	1-31/64	59/64	4-1/4	2-7/16
	2	6.3										
	50mm	2.9	44.5	155.6	49.6	130.2	11.9	M12	37.7	23.5	108.0	61.9
211	2	7.3	1-27/32	6-3/8	2-7/32	5-3/8	5/8	1/2	1-19/32	1	4-1/2	2-23/32
	2-3/16	7.2										
	2-1/4	7.1										
	55mm	3.3	46.8	161.9	56.4	136.5	15.9	M12	40.5	25.4	114.3	69.1
212	2-1/4	9.6	1-63/64	7-1/8	2-29/64	6	7/8	1/2	1-37/64	1	5	2-31/32
	2-7/16	9.5										
	60mm	4.3	50.4	181.0	62.3	152.40	22.2	M12	40.1	25.4	127.0	75.4
214	2-1/2	13.0	2-15/64	7-5/8	2-49/64	6-1/2	1-1/8	1/2	1-41/64	1-1/16	5-1/2	3-5/16
	70mm	5.5	56.8	193.7	70.2	165.1	28.6	M12	41.7	27.0	139.7	84.1

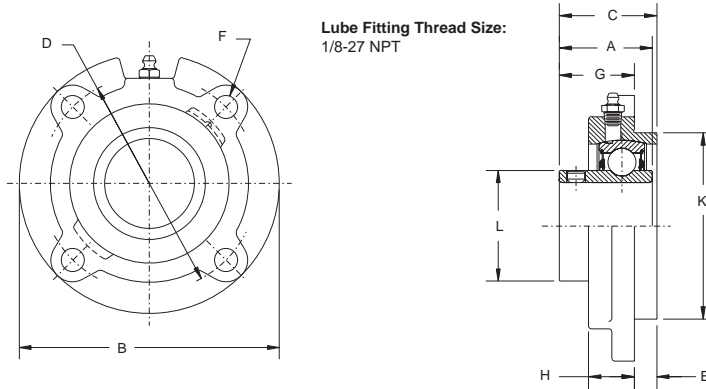
\*+0.000, -0.002," \* +0.00 -0.05mm

FEATURES/BENEFITS PAGE B3-2	NOMENCLATURE PAGE B3-4	SELECTION PAGE B3-5	RELATED PRODUCTS PAGE B3-133
--------------------------------	---------------------------	------------------------	---------------------------------

# SELECTION/DIMENSIONS



## Setscrew Ball Bearings SCM MEDIUM DUTY PILOTED FLANGE BEARINGS



Lube Fitting Thread Size:  
1/8-27 NPT

Series	Shaft Size	Part No.	Description
206	1	<b>126167</b>	FC-SCM-100
	25mm	<b>125940</b>	FC-SCM-25M
207	1-3/16	<b>126168</b>	FC-SCM-103
	1-1/4	<b>124224</b>	FC-SC-104
	30mm	<b>125941</b>	FC-SCM-30M
208	1-7/16	<b>126170</b>	FC-SCM-107
	1-1/2	<b>126171</b>	FC-SCM-108
	35mm	<b>125942</b>	FC-SCM-35M
209	1-1/2	<b>056492</b>	FC-SCM-108L
	1-5/8	<b>065644</b>	FC-SC-110L
	40mm	<b>125943</b>	FC-SCM-40M
210	1-11/16	<b>126172</b>	FC-SCM-111
	1-3/4	<b>126173</b>	FC-SCM-112
	45mm	<b>125944</b>	FC-SCM-45M
211	1-15/16	<b>126174</b>	FC-SCM-115
	2	<b>126175</b>	FC-SCM-200
	50mm	<b>125945</b>	FC-SCM-50M
212	2-3/16	<b>126176</b>	FC-SCM-203
	2-1/4	<b>126177</b>	FC-SCM-204
	55mm	<b>125946</b>	FC-SCM-55M
214	2-7/16	<b>126178</b>	FC-SCM-207
	2-1/2	<b>126179</b>	FC-SCM-208
	65mm	<b>125947</b>	FC-SCM-65M
216	2-15/16	<b>126180</b>	FC-SCM-215
	3	<b>126182</b>	FC-SCM-300
	75mm	<b>125948</b>	FC-SCM-75M
218	3-7/16	<b>126183</b>	FC-SCM-307
	3-1/2	<b>126184</b>	FC-SCM-308
	85mm	<b>125949</b>	FC-SCM-85M

@ Assembled to order

FEATURES/BENEFITS PAGE B3-2	NOMENCLATURE PAGE B3-4	SELECTION PAGE B3-5	RELATED PRODUCTS PAGE B3-133
--------------------------------	---------------------------	------------------------	---------------------------------



# SELECTION/DIMENSIONS



## Setscrew Ball Bearings SCM MEDIUM DUTY PILOTED FLANGE BEARINGS

Series	Shaft Size	Weight lbs. kgs.	A	B	C	D	E	F Bolt Dia.	G	H	K*	L
206	1	3.3	1-25/64	4-3/8	1-1/2	3-5/8	1/4	3/8	1-1/4	13/16	3	1-37/64
	25mm	1.4	35.3	111.1	38.1	92.1	6.4	M10	31.8	20.6	76.2	40.1
207	1-3/16	4.2	1-17/32	5	1-49/64	4-1/8	3/8	3/8	1-25/64	27/32	3-3/8	1-27/32
	1-1/4	4.2										
	30mm	1.9	38.9	127.0	44.8	104.8	9.5	M10	35.3	21.4	85.7	46.8
208	1-7/16	4.8	1-11/16	5-1/4	1-57/64	4-3/8	7/16	7/16	1-29/64	57/64	3-5/8	2-3/64
	1-1/2	4.6										
	35mm	2.1	42.9	133.4	48.0	111.1	11.1	M12	36.9	22.6	92.1	52.0
209	1-1/2	5.6	1-23/32	5-3/4	1-57/64	4-3/4	7/16	1/2	1-29/64	29/32	4	2-7/32
	1-5/8	5.6										
	40mm	2.5	43.7	146.1	48.0	120.7	11.1	M12	36.9	23.0	101.6	56.4
210	1-11/16	6.4	1-3/4	6-1/8	1-61/64	5-1/8	15/32	1/2	1-31/64	59/64	4-1/4	2-7/16
	1-3/4	6.3										
	45mm	2.9	44.5	155.6	49.6	130.2	11.9	M12	37.7	23.4	108.0	61.9
211	1-15/16	7.6	1-27/32	6-3/8	2-7/32	5-3/8	5/8	1/2	1-19/32	1	4-1/2	2-23/32
	2	7.4										
	50mm	3.4	46.8	161.9	56.4	136.5	15.9	M12	40.5	25.4	114.3	69.1
212	2-3/16	9.5	1-63/64	7-1/8	2-29/64	6	7/8	1/2	1-37/64	1	5	2-31/32
	2-1/4	9.8										
	55mm	4.4	50.4	181.0	62.3	152.4	22.2	M12	40.1	25.4	127.0	75.4
214	2-7/16	13.2	2-15/64	7-5/8	2-49/64	6-1/2	1-1/8	1/2	1-41/64	1-1/16	5-1/2	3-5/16
	2-1/2	13.0										
	65mm	5.9	56.8	193.7	70.2	165.1	28.6	M12	41.7	27.0	139.7	84.1
216	2-15/16	18.8	2-11/64	8-3/4	3-1/32	7-1/2	1-1/4	5/8	1-25/32	1-3/16	6-3/8	3-53/64
	3	18.6										
	75mm	8.5	57.9	222.3	77.0	190.5	31.8	M16	45.2	30.2	161.9	92.1
218	3-7/16	28.7	2-31/64	10-1/4	3-19/64	8-5/8	1-1/8	3/4	2-11/64	1-5/8	7-3/8	4-23/64
	3-1/2	28.5										
	85mm	13.5	63.1	260.4	83.7	219.1	34.9	M18	55.2	41.3	187.3	110.7

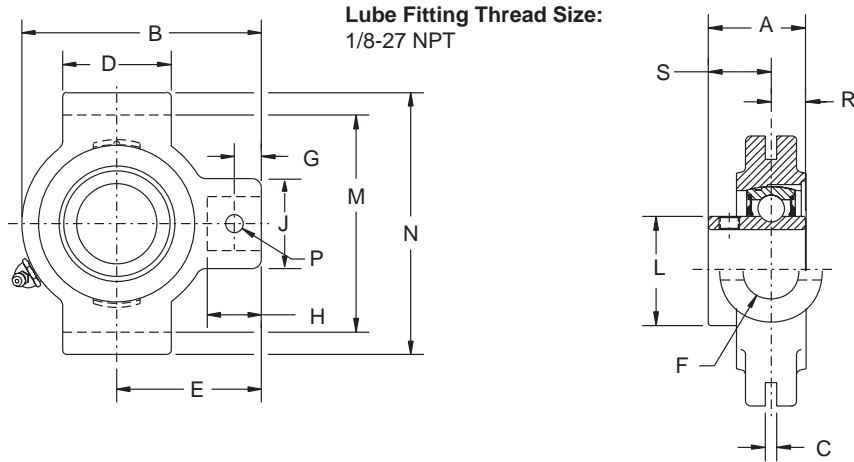
\* +.000-.002", +0.00 -0.05mm

FEATURES/BENEFITS PAGE B3-2	NOMENCLATURE PAGE B3-4	SELECTION PAGE B3-5	RELATED PRODUCTS PAGE B3-133
--------------------------------	---------------------------	------------------------	---------------------------------

# SELECTION/DIMENSIONS



## Setscrew Ball Bearings SC NORMAL DUTY NARROW SLOT TAKE-UP BEARINGS



Series	Shaft Size	Standard		No Lube/Sealed for Life (-NL)	
		Part No.	Description	Part No.	Description
204	1/2	<b>125328</b>	NSTU-SC-008	@	NSTU-SC-008-NL
	5/8	<b>125329</b>	NSTU-SC-010	@	NSTU-SC-010-NL
	3/4	<b>125050</b>	NSTU-SC-012	@	NSTU-SC-012-NL
	20mm	<b>125900</b>	<i>NSTU-SC-20M</i>	@	<i>NSTU-SC-20M-NL</i>
205	7/8	<b>125365</b>	NSTU-SC-014	@	NSTU-SC-014-NL
	15/16	<b>125051</b>	NSTU-SC-015	@	NSTU-SC-015-NL
	1	<b>125052</b>	NSTU-SC-100	<b>125054</b>	NSTU-SC-100-NL
	25mm	<b>125901</b>	<i>NSTU-SC-25M</i>	@	<i>NSTU-SC-25M-NL</i>
206	1-1/16	<b>125366</b>	NSTU-SC-101	@	NSTU-SC-101-NL
	1-1/8	<b>125367</b>	NSTU-SC-102	<b>065642</b>	NSTU-SC-102-NL
	1-3/16	<b>125153</b>	NSTU-SC-103	<b>052194</b>	NSTU-SC-103-NL
	1-1/4	<b>123174</b>	NSTU-SC-104S	@	NSTU-SC-104S-NL
	30mm	<b>125902</b>	<i>NSTU-SC-30M</i>	@	<i>NSTU-SC-30M-NL</i>
207	1-1/4	<b>125154</b>	NSTU-SC-104	<b>058897</b>	NSTU-SC-104-NL
	1-5/16	<b>125368</b>	NSTU-SC-105	<b>065681</b>	NSTU-SC-105-NL
	1-3/8	<b>125369</b>	NSTU-SC-106	<b>125378</b>	NSTU-SC-106-NL
	1-7/16	<b>125155</b>	NSTU-SC-107	<b>052199</b>	NSTU-SC-107-NL
	35mm	<b>125903</b>	<i>NSTU-SC-35M</i>	@	<i>NSTU-SC-35M-NL</i>

@ Assembled to order  
See B15-9 for Take-Up Frames

FEATURES/BENEFITS PAGE B3-2	NOMENCLATURE PAGE B3-4	SELECTION PAGE B3-5	RELATED PRODUCTS PAGE B3-133
--------------------------------	---------------------------	------------------------	---------------------------------

# SELECTION/DIMENSIONS



## Setscrew Ball Bearings SC NORMAL DUTY NARROW SLOT TAKE-UP BEARINGS

Series	Shaft Size	Weight lbs. kgs.	Take-Up Frame No. Ref.	A	B	C *	D	E	F Screw Dia	G	H	J	L	M #	N	P Pin Dia	R	S	
204	1/2	1.6	NS210	1-5/32	3-1/2	1/4	1-1/2	2-3/16	3/4	7/16	7/8	1-3/8	1-1/8	2-5/8	3-1/8	5/16	27/64	47/64	
	5/8	1.5		29.4	88.9	6.4	38.1	55.6	19.1	11.1	22.2	34.9	28.6	66.7	79.4	7.9	10.7	18.7	
	3/4	1.4		30.2	90.5	6.4	38.1	55.6	19.1	11.1	22.2	34.9	33.7	66.7	79.4	7.9	10.7	19.4	
	20mm	0.8																	
205	7/8	1.7	NS210	1-3/16	3-9/16	1/4	1-1/2	2-3/16	3/4	7/16	7/8	1-3/8	1-21/64	2-5/8	3-1/8	5/16	27/64	49/64	
	15/16	1.6		30.2	90.5	6.4	38.1	55.6	19.1	11.1	22.2	34.9	33.7	66.7	79.4	7.9	10.7	19.4	
	1	1.5																	
	25mm	0.7																	
206	1-1/16	2.9	NS308	1-25/64	4-5/16	1/4	2-1/2	2-11/16	3/4	1/2	15/16	1-3/8	1-37/64	3-1/2	4-1/8	5/16	31/64	29/32	
	1-1/8	2.8		35.3	109.5	6.4	63.5	68.3	19.1	12.7	23.8	34.9	40.1	88.9	104.8	7.9	12.3	23	
	1-3/16	2.7																	
	1-1/4	2.6																	
	30mm	1.2																	
207	1-1/4	2.8	NS308	1-17/32	4-1/2	1/4	2-1/2	2-11/16	3/4	1/2	15/16	1-3/8	1-27/32	3-1/2	4-1/8	5/16	1/2	1-1/32	
	1-5/16	2.7		38.9	114.3	6.4	63.5	68.3	19.1	12.7	23.8	34.9	46.8	88.9	104.8	7.9	12.7	26.2	
	1-3/8	2.6																	
	1-7/16	2.5																	
	35mm	1.2																	

\*+ or -.015" + pr -.38mm

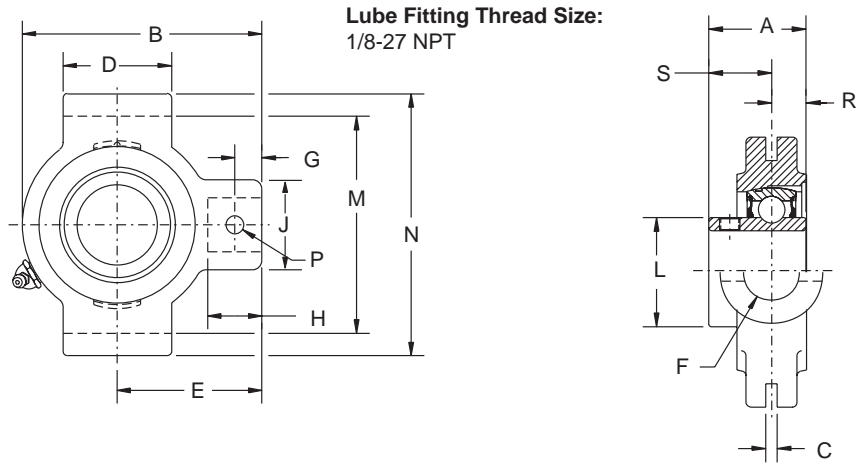
#+.010, -.020" +.25mm, -.50mm

FEATURES/BENEFITS PAGE B3-2	NOMENCLATURE PAGE B3-4	SELECTION PAGE B3-5	RELATED PRODUCTS PAGE B3-133
--------------------------------	---------------------------	------------------------	---------------------------------

# SELECTION/DIMENSIONS



## Setscrew Ball Bearings SC NORMAL DUTY NARROW SLOT TAKE-UP BEARINGS



Series	Shaft Size	Standard		Sealed For Life	
		Part No.	Description	Part No.	Description
208	1-1/2	<b>125156</b>	NSTU-SC-108	@	NSTU-SC-108-NL
	1-5/8	<b>125370</b>	NSTU-SC-110	@	NSTU-SC-110-NL
	40mm	<b>125904</b>	NSTU-SC-40M	@	NSTU-SC-40M-NL
209	1-5/8	<b>065593</b>	NSTU-SC-110L	@	NSTU-SC-110L-NL
	1-11/16	<b>125157</b>	NSTU-SC-111	<b>052939</b>	NSTU-SC-111-NL
	1-3/4	<b>125371</b>	NSTU-SC-112	<b>068184</b>	NSTU-SC-112-NL
	45mm	<b>125905</b>	NSTU-SC-45M	@	NSTU-SC-45M-NL
210	1-15/16	<b>125158</b>	NSTU-SC-115	<b>125159</b>	NSTU-SC-115-NL
	2	<b>125372</b>	NSTU-SC-200	<b>068659</b>	NSTU-SC-200-NL
	50mm	<b>125906</b>	NSTU-SC-50M	@	NSTU-SC-50M-NL
211	2	<b>135171</b>	NSTU-SCM-200	@	NSTU-SCM-200-NL
	2-3/16	<b>125160</b>	NSTU-SC-203	@	NSTU-SC-203-NL
	2-1/4	<b>125373</b>	NSTU-SC-204	@	NSTU-SC-204-NL
	55mm	<b>125907</b>	NSTU-SC-55M	@	NSTU-SC-55M-NL
212	2-1/4	<b>135172</b>	NSTU-SCM-204	@	NSTU-SCM-204-NL
	2-7/16	<b>125162</b>	NSTU-SC-207	@	NSTU-SC-207-NL
	60mm	<b>125908</b>	NSTU-SC-60M	@	NSTU-SC-60M-NL

@ Assembled to order  
See B15-9 for Take-Up Frames

FEATURES/BENEFITS PAGE B3-2	NOMENCLATURE PAGE B3-4	SELECTION PAGE B3-5	RELATED PRODUCTS PAGE B3-133
--------------------------------	---------------------------	------------------------	---------------------------------

# SELECTION/DIMENSIONS



## Setscrew Ball Bearings SC NORMAL DUTY NARROW SLOT TAKE-UP BEARINGS

Bearing Quick Reference

E-Z KLEEN

GRIP TIGHT Adapter Ball Bearing

Set Screw Ball Bearing

Eccentric Collar Ball Bearing

Series	Shaft Size	Weight lbs. kgs.	Take-Up Frame No. Ref.	A	B	C *	D	E	F Screw Dia	G	H	J	L	M #	N	P Pin Dia	R	S
208	1-1/2	4.7	NS400	1-11/16	5-3/8	5/16	3	3-1/4	7/8	21/32	1-5/32	1-5/8	2-3/64	4	4-3/4	3/8	19/32	1-3/32
	1-5/8 40mm	4.6 2.1		42.9	136.5	7.9	76.2	82.6	22.2	16.7	29.4	41.3	52.0	101.6	120.7	9.5	15.1	27.8
209	1-5/8	4.9	NS400	1-23/32	5-7/16	5/16	3	3-1/4	7/8	23/32	1-7/32	1-5/8	2-7/32	4	4-3/4	3/8	19/32	1-1/8
	1-11/16	4.8		43.7	138.1	7.9	76.2	82.6	22.2	18.3	31.0	41.3	56.4	101.6	120.7	9.5	15.1	28.6
	1-3/4 45mm	4.7 2.1		43.7	138.1	7.9	76.2	82.6	22.2	18.3	31.0	41.3	56.4	101.6	120.7	9.5	15.1	28.6
210	1-15/16	4.9	NS400	1-3/4	5-1/2	5/16	3	3-1/4	7/8	19/32	1-3/32	1-5/8	2-7/16	4	4-3/4	3/8	19/32	1-5/32
	2 50mm	4.8 2.2		44.5	139.7	7.9	76.2	82.6	22.2	15.1	27.8	41.3	61.9	101.6	120.7	9.5	15.1	29.4
211	2	6.8	NS407	1-27/32	6-1/8	5/16	3-1/2	3-5/8	1	11/16	1-9/32	1-3/4	2-23/32	4-7/16	5-3/8	7/16	5/8	1-7/32
	2-3/16	6.6		46.8	155.6	7.9	88.9	92.1	25.4	17.5	32.5	44.5	69.1	112.7	136.5	11.1	15.9	31.0
	2-1/4 55mm	6.5 3.0		46.8	155.6	7.9	88.9	92.1	25.4	17.5	32.5	44.5	69.1	112.7	136.5	11.1	15.9	31.0
212	2-1/4	8.7	NS415	1-63/64	6-11/16	5/16	3-3/4	3-7/8	1	11/16	1-9/32	1-5/8	2-31/32	4-15/16	5-3/4	7/16	43/64	1-5/16
	2-7/16 60mm	8.4 4.9		50.4	169.9	7.9	95.3	98.4	25.4	17.5	32.5	41.3	75.4	125.4	146.1	11.1	17.1	33.3

\*+/- .015" +/- .38mm

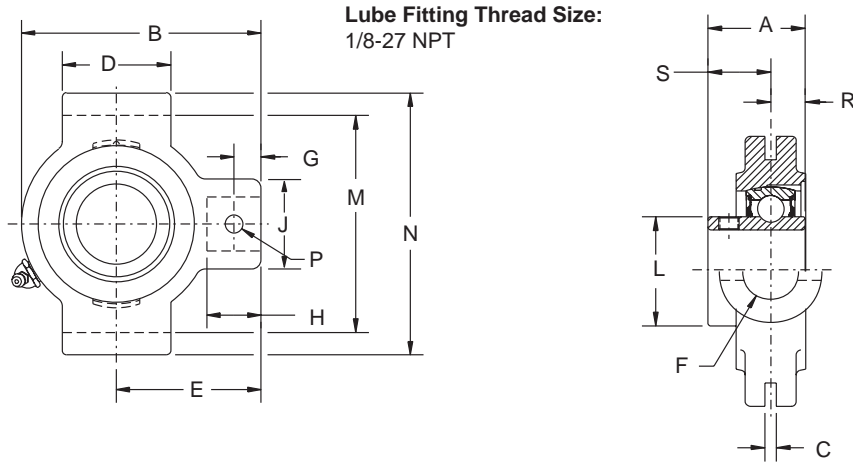
#+.010, -.020" +.25mm, -.50mm

FEATURES/BENEFITS PAGE B3-2	NOMENCLATURE PAGE B3-4	SELECTION PAGE B3-5	RELATED PRODUCTS PAGE B3-133
--------------------------------	---------------------------	------------------------	---------------------------------

# SELECTION/DIMENSIONS



## Setscrew Ball Bearings SCM MEDIUM DUTY NARROW SLOT TAKE-UP BEARINGS



Series	Shaft Size	Part No.	Description
206	1	<b>135102</b>	NSTU-SCM-100
	25mm	<b>125980</b>	NSTU-SCM-25M
207	1-3/16	<b>135081</b>	NSTU-SCM-103
	1-1/4	<b>125154</b>	NSTU-SC-104
208	30mm	<b>125981</b>	NSTU-SCM-30M
	1-7/16	<b>135105</b>	NSTU-SCM-107
209	35mm	<b>125982</b>	NSTU-SCM-35M
	1-1/2	<b>135106</b>	NSTU-SCM-108
210	1-5/8	@	NSTU-SC-110L
	40mm	<b>125983</b>	NSTU-SCM-40M
211	1-11/16	<b>135107</b>	NSTU-SCM-111
	1-3/4	<b>135170</b>	NSTU-SCM-112
212	45mm	<b>125984</b>	NSTU-SCM-45M
	1-15/16	<b>135109</b>	NSTU-SCM-115
211	2	<b>135171</b>	NSTU-SCM-200
	50mm	<b>125985</b>	NSTU-SCM-50M
212	2-3/16	<b>135111</b>	NSTU-SCM-203
	2-1/4	<b>135172</b>	NSTU-SCM-204
	55mm	<b>125986</b>	NSTU-SCM-55M

@ Assembled to order

FEATURES/BENEFITS PAGE B3-2	NOMENCLATURE PAGE B3-4	SELECTION PAGE B3-5	RELATED PRODUCTS PAGE B3-133
--------------------------------	---------------------------	------------------------	---------------------------------

# SELECTION/DIMENSIONS



## Setscrew Ball Bearings SCM MEDIUM DUTY NARROW SLOT TAKE-UP BEARINGS

Series	Shaft Size	Weight lbs. kgs.	Take-Up Frame No. Ref.	A	B	C*	D	E	F Screw Dia.	G	H	J	L	M#	N	P Pin Dia.	R	S
206	1	3.0	NS308	1-25/64	4-5/16	1/4	2-1/2	2-11/16	3/4	1/2	15/16	1-3/8	1-37/64	3-1/2	4-1/8	5/16	31/64	29/32
	25mm	1.2		35.3	109.5	6.4	63.5	68.3	19.1	12.7	23.8	34.9	40.1	88.9	104.8	7.9	12.3	23.0
207	1-3/16	2.9	NS308	1-17/32	4-1/2	1/4	2-1/2	2-11/16	3/4	1/2	15/16	1-3/8	1-27/32	3-1/2	4-1/8	5/16	1/2	1-1/32
	1-1/4 30mm	2.8 1.3		38.9	114.3	6.4	63.5	68.3	19.1	12.7	23.8	34.9	46.8	88.9	104.8	7.9	12.7	26.2
208	1-7/16	4.7	NS400	1-11/16	5-3/8	5/16	3	3-1/4	7/8	21/32	1-5/32	1-5/8	2-3/64	4	4-3/4	3/8	19/32	1-3/32
	35mm	2.2		42.9	136.5	7.9	76.2	82.6	22.2	16.7	29.4	41.3	52.0	101.60	120.7	9.5	15.1	27.8
209	1-1/2	5.0	NS400	1-23/32	5-7/16	5/16	3	3-1/4	7/8	23/32	1-7/32	1-5/8	2-7/32	4	4-3/4	3/8	19/32	1-1/8
	1-5/8 40mm	4.9 2.3		43.7	138.1	7.9	76.2	82.6	22.2	18.3	31.0	41.3	56.4	101.60	120.7	9.5	15.1	28.6
210	1-11/16	5.3	NS400	1-3/4	5-1/2	5/16	3	3-1/4	7/8	19/32	1-3/32	1-5/8	2-7/16	4	4-3/4	3/8	19/32	1-5/32
	1-3/4 45mm	5.2 2.4		44.5	139.7	7.9	76.2	82.6	22.2	15.1	27.8	41.3	61.9	101.60	120.7	9.5	15.1	29.4
211	1-15/16	7.0	NS407	1-27/32	6-1/8	5/16	3-1/2	3-5/8	1	11/16	1-9/32	1-3/4	2-23/32	4-7/16	5-3/8	7/16	5/8	1-7/32
	2 50mm	6.8 3.2		46.8	155.6	7.9	88.9	92.1	25.4	17.5	32.5	44.5	69.1	112.7	136.5	11.1	15.9	31.0
212	2-3/16	8.9	NS415	1-63/64	6-11/16	5/16	3-3/4	3-7/8	1	11/16	1-9/32	1-5/8	2-31/32	4-15/16	5-3/4	7/16	43/64	1-5/16
	2-1/4 55mm	8.7 4.0		50.4	169.9	7.9	95.3	98.4	25.4	17.5	32.5	41.3	75.4	125.4	146.1	11.1	17.1	33.3

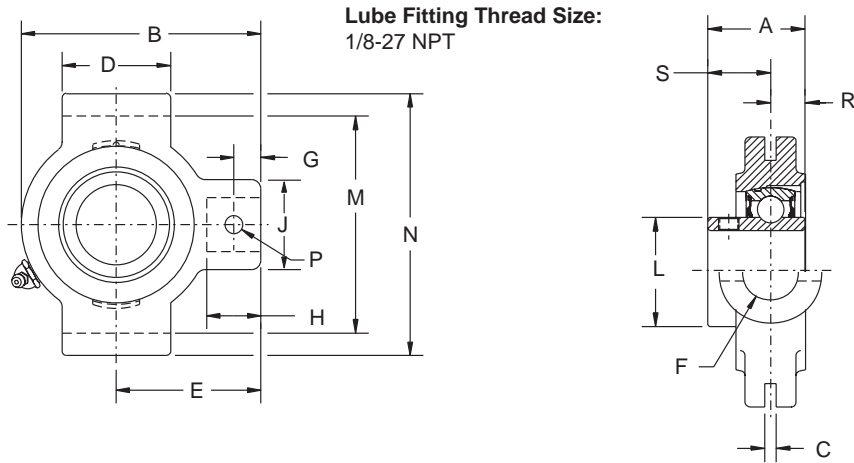
#+ or -.015", + or -.38mm"

FEATURES/BENEFITS PAGE B3-2	NOMENCLATURE PAGE B3-4	SELECTION PAGE B3-5	RELATED PRODUCTS PAGE B3-133
--------------------------------	---------------------------	------------------------	---------------------------------

# SELECTION/DIMENSIONS



## Setscrew Ball Bearings VSC INTERMEDIATE DUTY NARROW SLOT TAKE-UP BEARINGS



Series	Shaft Size	Part No.	Description
204	3/4	<b>125533</b>	NSTU-VSC-012
	20mm	@	NSTU-VSC-20M
205	7/8	<b>125534</b>	NSTU-VSC-014
	15/16	<b>125535</b>	NSTU-VSC-015
	1	<b>125536</b>	NSTU-VSC-100
	25mm	@	NSTU-VSC-25M
206	1-1/8	<b>125537</b>	NSTU-VSC-102
	1-3/16	<b>125538</b>	NSTU-VSC-103
	1-1/4	<b>125540</b>	NSTU-VSC-104S
	30mm	@	NSTU-VSC-30M
207	1-1/4	<b>125539</b>	NSTU-VSC-104
	1-3/8	<b>125541</b>	NSTU-VSC-106
	1-7/16	<b>123680</b>	NSTU-VSC-107
	35mm	@	NSTU-VSC-35M
208	1-1/2	<b>125542</b>	NSTU-VSC-108
	40mm	@	NSTU-VSC-40M
209	1-11/16	<b>125543</b>	NSTU-VSC-111
	1-3/4	<b>125544</b>	NSTU-VSC-112
	45mm	@	NSTU-VSC-45M
210	1-15/16	<b>125545</b>	NSTU-VSC-115
	2	<b>125546</b>	NSTU-VSC-200
	50mm	@	NSTU-VSC-50M
211	2	<b>125547</b>	NSTU-VSC-200
	2-3/16	<b>125548</b>	NSTU-VSC-203
	55mm	@	NSTU-VSC-55M

@ Assembled to order

FEATURES/BENEFITS PAGE B3-2	NOMENCLATURE PAGE B3-4	SELECTION PAGE B3-5	RELATED PRODUCTS PAGE B3-133
--------------------------------	---------------------------	------------------------	---------------------------------



# SELECTION/DIMENSIONS



## Setscrew Ball Bearings VSC INTERMEDIATE DUTY NARROW SLOT TAKE-UP BEARINGS

Series	Shaft Size	Weight lbs. kg.	Take-Up Frame No. Ref.	A	B	C*	D	E	F Screw Dia.	G	H	J	L	M#	N	P Pin Dia.	R	S
204	3/4 20mm	1.25 0.58	NS210	1-1/16 27.0	3-1/2 88.9	1/4 6.4	1-1/2 38.1	2-3/16 55.6	3/4 19.1	7/16 11.1	7/8 22.2	1-3/8 34.9	1-1/8 28.6	2-5/8 66.7	3-1/8 79.4	5/16 7.9	21/64 8.3	47/64 18.7
	7/8 15/16 1 25mm	1.68 1.58 1.48 0.73		NS210	1-3/32 27.8	3-9/16 90.5	1/4 6.4	1-1/2 38.1	2-3/16 55.6	3/4 19.1	7/16 11.1	7/8 22.2	1-3/8 34.9	1-21/64 33.7	2-5/8 66.7	3-1/8 79.4	5/16 7.9	21/64 8.3
206	1-1/8 1-3/16 1-1/4 30mm	2.78 2.58 2.48 1.19	NS308		1-19/64 32.9	4-5/16 109.5	1/4 6.4	2-1/2 63.5	2-11/16 68.3	3/4 19.1	1/2 12.7	15/16 23.8	1-3/8 34.9	1-37/64 40.1	3-1/2 88.9	4-1/8 104.8	5/16 7.9	25/64 9.9
	1-1/4 1-3/8 1-7/16 35mm	2.78 2.58 2.48 1.19		NS308	1-7/16 36.5	4-1/2 114.3	1/4 6.4	2-1/2 63.5	2-11/16 68.3	3/4 19.1	1/2 12.7	15/16 23.8	1-3/8 34.9	1-27/32 46.8	3-1/2 88.9	4-1/8 104.8	5/16 7.9	13/32 10.3
208	1-1/2 40mm	4.68 2.16	NS400		1-9/16 39.7	5-3/8 136.5	5/16 7.9	3 76.2	3-1/4 82.6	7/8 22.2	21/32 16.7	1-5/32 29.4	1-5/8 41.3	2-3/64 52.0	4 101.6	4-3/4 120.7	3/8 9.5	15/32 11.9
	1-11/16 1-3/4 45mm	4.78 4.68 2.20		NS400	1-19/32 40.5	5-7/16 138.1	5/16 7.9	3 76.2	3-1/4 82.6	7/8 22.2	23/32 18.3	1-7/32 31.0	1-5/8 41.3	2-7/32 56.4	4 101.6	4-3/4 120.7	3/8 9.5	15/32 11.9
210	1-15/16 2 50mm	4.88 4.78 2.25	NS400		1-5/8 41.3	5-1/2 139.7	5/16 7.9	3 76.2	3-1/4 82.6	7/8 22.2	19/32 115.1	1-3/32 27.8	1-5/8 41.3	2-7/16 61.9	4 101.6	4-3/4 120.7	3/8 9.5	15/32 11.9
	2 2-3/16 55mm	6.78 6.58 3.13		NS407	1-23/32 43.7	6-1/8 155.6	5/16 7.9	3-1/2 88.9	3-5/8 92.1	1 25.4	11/16 17.5	1-9/32 32.5	1-3/4 44.5	2-23/32 69.1	4-7/16 112.7	5-3/8 136.5	7/16 11.1	1/2 12.7

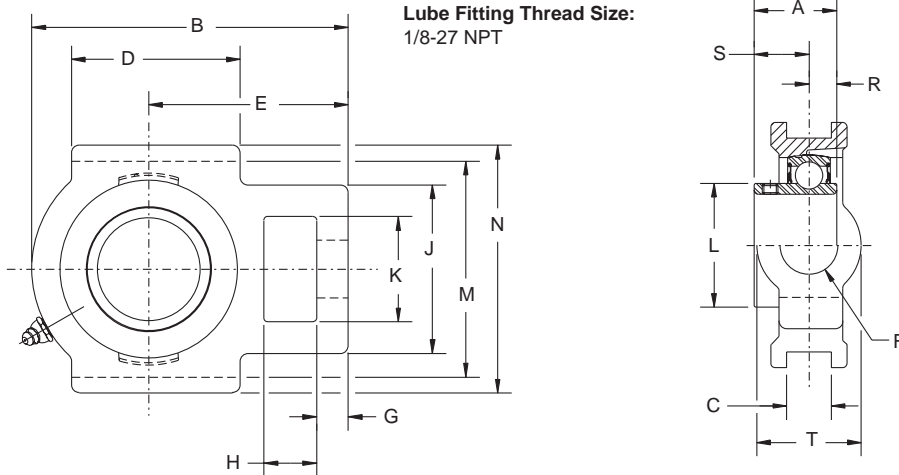
\* + or -.015, + or -.38mm #+.010, -.020" +.25mm, -.50mm

FEATURES/BENEFITS PAGE B3-2	NOMENCLATURE PAGE B3-4	SELECTION PAGE B3-5	RELATED PRODUCTS PAGE B3-133
--------------------------------	---------------------------	------------------------	---------------------------------

# SELECTION/DIMENSIONS



## Setscrew Ball Bearings SC NORMAL DUTY WIDE SLOT TAKE-UP BEARINGS



Series	Shaft Size	Standard		No Lube/Sealed for Life (-NL)	
		Part No.	Description	Part No.	Description
204	1/2	<b>125343</b>	WSTU-SC-008	@	WSTU-SC-008-NL
	5/8	<b>125344</b>	WSTU-SC-010	@	WSTU-SC-010-NL
	3/4	<b>125010</b>	WSTU-SC-012	@	WSTU-SC-012-NL
	20mm	<b>125910</b>	WSTU-SC-20M	@	WSTU-SC-20M-NL
205	7/8	<b>125356</b>	WSTU-SC-014	@	WSTU-SC-014-NL
	15/16	<b>125011</b>	WSTU-SC-015	@	WSTU-SC-015-NL
	1	<b>125012</b>	WSTU-SC-100	@	WSTU-SC-100-NL
	25mm	<b>125911</b>	WSTU-SC-25M	@	WSTU-SC-25M-NL
206	1-1/16	<b>125357</b>	WSTU-SC-101	@	WSTU-SC-101-NL
	1-1/8	<b>125358</b>	WSTU-SC-102	@	WSTU-SC-102-NL
	1-3/16	<b>125113</b>	WSTU-SC-103	@	WSTU-SC-103-NL
	1-1/4	<b>123175</b>	WSTU-SC-104S	@	WSTU-SC-104S-NL
	30mm	<b>125912</b>	WSTU-SC-30M	@	WSTU-SC-30M-NL
207	1-1/4	<b>125360</b>	WSTU-SC-104	@	WSTU-SC-104-NL
	1-5/16	<b>125359</b>	WSTU-SC-105	@	WSTU-SC-105-NL
	1-3/8	<b>125361</b>	WSTU-SC-106	@	WSTU-SC-106-NL
	1-7/16	<b>125114</b>	WSTU-SC-107	<b>050846</b>	WSTU-SC-107-NL
	35mm	<b>125913</b>	WSTU-SC-35M	@	WSTU-SC-35M-NL
208	1-1/2	<b>125120</b>	WSTU-SC-108	<b>049829</b>	WSTU-SC-108-NL
	1-5/8	<b>125355</b>	WSTU-SC-110	@	WSTU-SC-110-NL
	40mm	<b>125914</b>	WSTU-SC-40M	@	WSTU-SC-40M-NL

@ Assembled to order

FEATURES/BENEFITS PAGE B3-2	NOMENCLATURE PAGE B3-4	SELECTION PAGE B3-5	RELATED PRODUCTS PAGE B3-133
--------------------------------	---------------------------	------------------------	---------------------------------

# SELECTION/DIMENSIONS



## Setscrew Ball Bearings SC NORMAL DUTY WIDE SLOT TAKE-UP BEARINGS

Series	Shaft Size	Weight lbs kg	Take-Up Frame Size	A	B	C*	D	E	F Screw Dia.	G
204	1/2	2.1	WS300	1-5/32	3-11/16	17/32	2	2-3/8	5/8	3/8
	5/8	2.0		29.4	93.7	13.5	50.8	60.3	15.9	9.5
	3/4	1.9								
	20mm	0.9								
205	7/8	2.2	WS300	1-3/16	3-13/16	17/32	2	2-7/16	5/8	3/8
	15/16	2.1		30.2	96.8	13.5	50.8	61.9	15.9	9.5
	1	2.0								
	25mm	1.0								
206	1-1/16	3.1	WS308	1-25/64	4-3/8	17/32	2-1/4	2-3/4	3/4	3/8
	1-1/8	3.0		35.3	111.1	13.5	57.2	69.9	19.1	9.5
	1-3/16	2.9								
	1-1/4	2.8								
207	30mm	1.3								
	1-1/4	3.8	WS308	1-17/32	4-7/8	17/32	2-1/2	3-1/16	3/4	1/2
	1-5/16	3.7		38.9	123.8	13.5	63.5	77.8	19.1	12.7
	1-3/8	3.6								
1-7/16	3.5									
208	35mm	1.6								
	1-1/2	6.1	WS400	1-11/16	5-11/16	11/16	3-1/4	3-1/2	1	5/8
	1-5/8	6.0		42.9	144.5	17.5	82.6	88.9	25.4	15.9
	40mm	2.8								

Series	Shaft Size	H	J	K	L	M#	N	R	S	T
204	1/2	5/8	2	1-1/4	1-1/8	3	3-5/8	27/64	47/64	1-3/8
	5/8									
	3/4									
	20mm	15.9	50.8	31.8	28.6	76.2	92.1	10.7	18.7	34.9
205	7/8	5/8	2	1-5/16	1-21/64	3	3-5/8	27/64	49/64	1-3/8
	15/16									
	1									
	25mm	15.9	50.8	33.3	33.7	76.2	92.1	10.7	19.4	34.9
206	1-1/16	5/8	2-3/16	1-7/16	1-37/64	3-1/2	4-1/8	31/64	29/32	1-5/8
	1-1/8									
	1-3/16									
	1-1/4									
207	30mm	15.9	55.6	36.5	40.1	88.9	104.8	12.3	23.0	41.3
	1-1/4	5/8	2-1/2	1-7/16	1-27/32	3-1/2	4-1/8	1/2	1-1/32	1-5/8
	1-5/16									
	1-3/8									
208	1-7/16									
	35mm	15.9	63.5	36.5	46.8	88.9	104.8	12.7	26.2	41.3
	1-1/2	3/4	3-1/4	1-15/16	2-3/64	4	4-1/2	19/32	1-3/32	1-15/16
	1-5/8									
208	40mm	19.1	82.6	49.2	52.0	101.6	114.3	15.1	27.8	49.2

\*+ or -.015", + or -.38mm

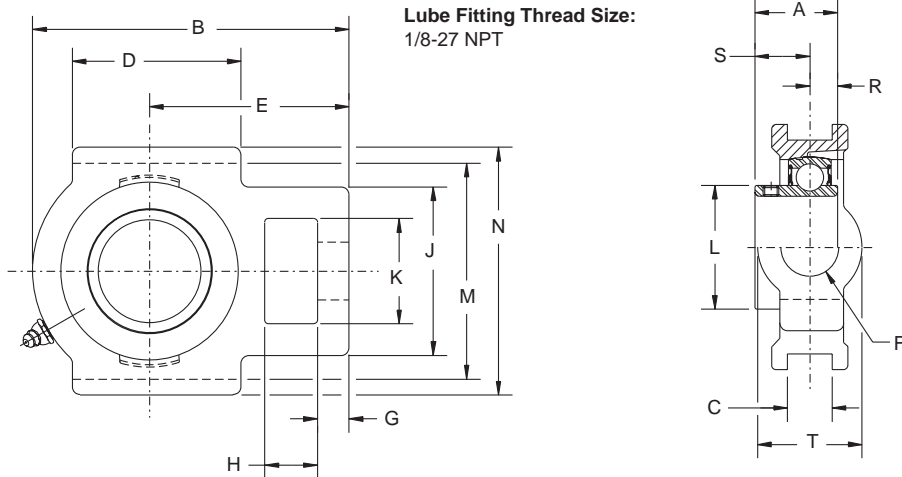
# +.010, -.020" +.25mm, -.50mm

FEATURES/BENEFITS PAGE B3-2	NOMENCLATURE PAGE B3-4	SELECTION PAGE B3-5	RELATED PRODUCTS PAGE B3-133
--------------------------------	---------------------------	------------------------	---------------------------------

# SELECTION/DIMENSIONS



## Setscrew Ball Bearings SC NORMAL DUTY WIDE SLOT TAKE-UP BEARINGS



Series	Shaft Size	Standard		No Lube/Sealed for Life (-NL)	
		Part No.	Description	Part No.	Description
209	1-5/8	<b>125151</b>	WSTU-SC-110L	@	WSTU-SC-110L-NL
	1-11/16	<b>125115</b>	WSTU-SC-111	@	WSTU-SC-111-NL
	1-3/4	<b>125362</b>	WSTU-SC-112	@	WSTU-SC-112-NL
	1-13/16	<b>125121</b>	WSTU-SC-113	@	WSTU-SC-113-NL
	45mm	<b>125915</b>	WSTU-SC-45M	@	WSTU-SC-45M-NL
210	1-15/16	<b>125116</b>	WSTU-SC-115	<b>125071</b>	WSTU-SC-115-NL
	2	<b>125363</b>	WSTU-SC-200	<b>062691</b>	WSTU-SC-200-NL
	50mm	<b>125916</b>	WSTU-SC-50M	<b>068374</b>	WSTU-SC-50M-NL
211	2	<b>135183</b>	WSTU-SCM-200	<b>058705</b>	WSTU-SCM-200-NL
	2-3/16	<b>125117</b>	WSTU-SC-203	@	WSTU-SC-203-NL
	2-1/4	<b>125364</b>	WSTU-SC-204	@	WSTU-SC-204-NL
	55mm	<b>125917</b>	WSTU-SC-55M	@	WSTU-SC-55M-NL
212	2-1/4	<b>135184</b>	WSTU-SCM-204	@	WSTU-SCM-204-NL
	2-7/16	<b>125118</b>	WSTU-SC-207	@	WSTU-SC-207-NL
	60mm	<b>125918</b>	WSTU-SC-60M	@	WSTU-SC-60M-NL
214	2-1/2	<b>135185</b>	WSTU-SCM-208	@	WSTU-SCM-208-NL
	2-11/16	<b>064704</b>	WSTU-SC-211	@	WSTU-SC-211-NL
	70mm	<b>062975</b>	WSTU-SC-70M	@	WSTU-SC-70M-NL
215	2-15/16	<b>125119</b>	WSTU-SC-215	@	WSTU-SC-215-NL
	75mm	<b>125919</b>	WSTU-SC-75M	@	WSTU-SC-75M-NL

@ Assembled to order

FEATURES/BENEFITS PAGE B3-2	NOMENCLATURE PAGE B3-4	SELECTION PAGE B3-5	RELATED PRODUCTS PAGE B3-133
--------------------------------	---------------------------	------------------------	---------------------------------

# SELECTION/DIMENSIONS



## Setscrew Ball Bearings SC NORMAL DUTY WIDE SLOT TAKE-UP BEARINGS

Series	Shaft Size	Weight lbs kg	Take-Up Frame Size	A	B	C*	D	E	F Screw Dia.	G
209	1-5/8	6.1	WS400	1-23/32	5-5/8	11/16	3-1/4	3-7/16	1	5/8
	1-11/16	6.0								
	1-3/4	5.9								
	1-13/16	5.8								
	45mm	2.7			43.7	142.9	17.5	82.6	87.3	25.4
210	1-15/16	6.4	WS400	1-3/4	5-13/16	11/16	3-3/8	3-9/16	1	5/8
	2	6.2								
	50mm	2.9			44.5	147.6	17.5	85.7	90.5	25.4
211	2	10.1	WS502	1-27/32	6-11/16	1-1/16	3-3/4	4-3/16	1-1/4	3/4
	2-3/16	10.0								
	2-1/4	9.8								
	55mm	4.5			46.8	169.9	27.0	95.3	106.4	31.8
212	2-1/4	11.2	WS502	1-63/64	7-1/2	1-1/16	4	4-11/16	1-1/4	3/4
	2-7/16	10.8								
	60mm	4.9			50.4	190.5	27.0	101.6	119.1	31.8
214	2-1/2	18.0	WS515	2-15/64	8-9/16	1-1/16	4-3/4	5-3/8	1-1/2	13/16
	2-11/16	17.8								
	70mm	8.0			56.8	217.5	27.0	120.7	136.5	38.1
215	2-15/16	18.9	WS515	2-9/32	9-1/8	1-1/16	4-3/4	5-1/2	1-1/2	13/16
	75mm	8.6		57.9	231.8	27.0	120.7	139.7	38.1	20.6

Series	Shaft Size	H	J	K	L	M#	N	R	S	T
209	1-5/8	3/4	3-1/4	1-15/16	2-7/32	4	4-3/4	19/32	1-1/8	1-15/16
	1-11/16									
	1-3/4									
	1-13/16									
	45mm	19.1	82.6	49.2	56.4	101.6	120.7	15.1	28.6	49.2
210	1-15/16	3/4	3-1/4	1-15/16	2-7/16	4	4-3/4	19/32	1-5/32	1-15/16
	2									
	50mm	19.1	82.6	49.2	61.9	101.6	120.7	15.1	29.4	49.2
211	2	1	4	2-1/2	2-23/32	5-1/8	5-7/8	5/8	1-7/32	2-1/2
	2-3/16									
	2-1/4									
	55mm	25.4	101.6	63.5	69.1	130.2	149.2	15.9	31.0	63.5
212	2-1/4	1-1/4	4	2-1/2	2-31/32	5-1/8	5-7/8	43/64	1-5/16	2-1/2
	2-7/16									
	60mm	31.8	101.6	63.5	75.4	130.2	149.2	17.1	33.3	63.5
214	2-1/2	1-1/4	4-3/8	2-3/4	3-5/16	5-15/16	6-9/16	51/64	1-7/16	2-3/4
	2-11/16									
	70mm	31.8	111.1	69.9	84.1	150.8	166.7	20.2	36.5	69.9
215	2-15/16	1-1/4	4-3/8	2-3/4	3-5/8	5-15/16	6-11/16	13/16	1-15/32	2-3/4
	75mm	31.8	111.1	69.9	92.1	150.8	169.9	20.6	37.3	69.9

\* + or -.015", + or -.38mm

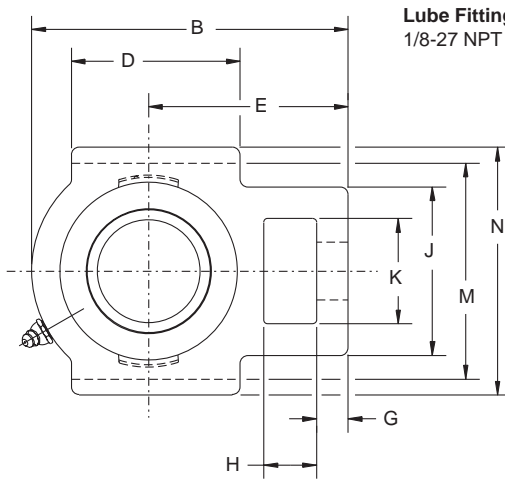
# +.010, -.020" +.25mm, -.50mm

FEATURES/BENEFITS PAGE B3-2	NOMENCLATURE PAGE B3-4	SELECTION PAGE B3-5	RELATED PRODUCTS PAGE B3-133
--------------------------------	---------------------------	------------------------	---------------------------------

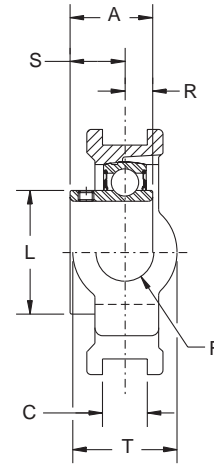
# SELECTION/DIMENSIONS



## Setscrew Ball Bearings SCM MEDIUM DUTY WIDE SLOT TAKE-UP BEARINGS



Lube Fitting Thread Size:  
1/8-27 NPT



Series	Shaft Size	Part No.	Description
206	1	<b>135117</b>	WSTU-SCM-100
	25mm	<b>125989</b>	WSTU-SCM-25M
207	1-3/16	<b>135118</b>	WSTU-SCM-103
	1-1/4	<b>125360</b>	WSTU-SC-104
	30mm	<b>125990</b>	WSTU-SCM-30M
208	1-7/16	<b>135116</b>	WSTU-SCM-107
	35mm	<b>125991</b>	WSTU-SCM-35M
209	1-1/2	<b>135120</b>	WSTU-SCM-108
	40mm	<b>125992</b>	WSTU-SCM-40M
210	1-11/16	<b>135121</b>	WSTU-SCM-111
	1-3/4	<b>135182</b>	WSTU-SCM-112
	45mm	<b>125993</b>	WSTU-SCM-45M

# SELECTION/DIMENSIONS



## Setscrew Ball Bearings SCM MEDIUM DUTY WIDE SLOT TAKE-UP BEARINGS

Series	Shaft Size	Weight lbs. kgs.	Take-Up Frame No. Ref.	A	B	C*	D	E	F Screw Dia.	G
206	1	2.9	WS308	1-25/64	4-3/8	17/32	2-1/4	2-3/4	3/4	3/8
	25mm	1.4		35.3	111.1	13.5	57.2	69.9	19.1	9.5
207	1-3/16	3.9	WS308	1-17/32	4-7/8	17/32	2-1/2	3-1/16	3/4	1/2
	1-1/4	3.8		38.9	123.8	13.5	63.5	77.8	19.1	12.7
	30mm	1.7								
208	1-7/16	6.1	WS400	1-11/16	5-11/16	11/16	3-1/4	3-1/2	1	5/8
	35mm	2.9		42.9	144.5	17.5	82.6	88.9	25.40	15.9
209	1-1/2	6.0	WS400	1-23/32	5-5/8	11/16	3-1/4	3-7/16	1	5/8
	40mm	2.8		43.7	142.9	17.5	82.6	87.3	25.40	15.9
210	1-11/16	6.5	WS400	1-3/4	5-13/16	11/16	3-3/8	3-9/16	1	5/8
	1-3/4	6.4		44.5	147.6	17.5	85.7	90.5	25.40	15.9
	45mm	3.0								

Series	Shaft Size	H	J	K	L	M#	N	R	S	T
206	1	5/8	2-3/16	1-7/16	1-37/64	3-1/2	4-1/8	31/64	29/32	1-5/8
	25mm	15.9	55.6	36.5	40.1	88.9	104.8	12.3	23.0	41.3
207	1-3/16	5/8	2-1/2	1-7/16	1-27/32	3-1/2	4-1/8	1/2	1-1/32	1-5/8
	1-1/4	15.9	63.5	36.5	46.8	88.9	104.8	12.7	26.2	41.3
	30mm									
208	1-7/16	3/4	3-1/4	1-15/16	2-3/64	4	4-1/2	19/32	1-3/32	1-15/16
	35mm	19.1	82.6	49.2	52.0	101.6	114.3	15.1	27.8	49.2
209	1-1/2	3/4	3-1/4	1-15/16	2-7/32	4	4-3/4	19/32	1-1/8	1-15/16
	40mm	19.1	82.6	49.2	56.4	101.6	120.7	15.1	28.6	49.2
210	1-11/16	3/4	3-1/4	1-15/16	2-7/16	4	4-3/4	19/32	1-5/32	1-15/16
	1-3/4	19.1	82.6	49.2	61.9	101.6	20.7	15.1	29.4	49.2
	45mm									

\* + or -.015, + or -.38mm #+.010, -.020" +.25mm, -.50mm

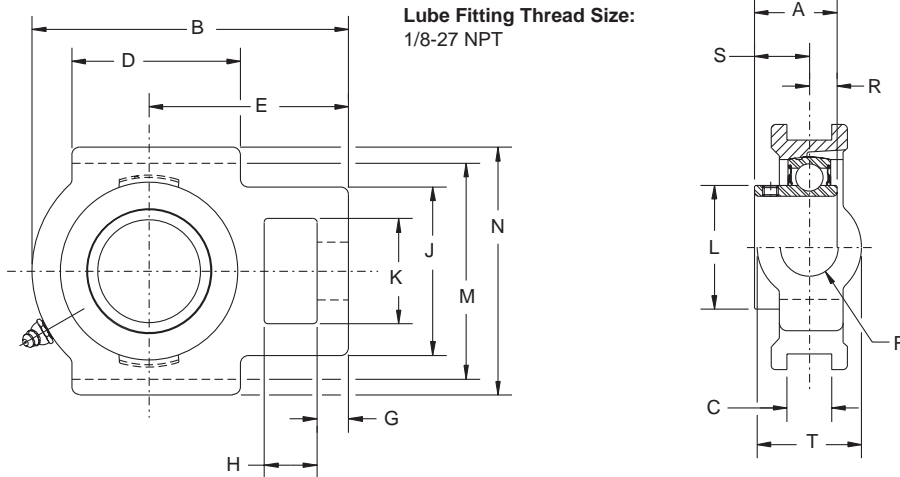
FEATURES/BENEFITS PAGE B3-2	NOMENCLATURE PAGE B3-4	SELECTION PAGE B3-5	RELATED PRODUCTS PAGE B3-133
--------------------------------	---------------------------	------------------------	---------------------------------

# SELECTION/DIMENSIONS

# DODGE®



## Setscrew Ball Bearings SCM MEDIUM DUTY WIDE SLOT TAKE-UP BEARINGS



Series	Shaft Size	Part No.	Description
211	1-15/16	<b>135123</b>	WSTU-SCM-115
	2	<b>135183</b>	WSTU-SCM-200
	50mm	<b>125994</b>	WSTU-SCM-50M
212	2-3/16	<b>135125</b>	WSTU-SCM-203
	2-1/4	<b>135184</b>	WSTU-SCM-204
	55mm	<b>125995</b>	WSTU-SCM-55M
214	2-7/16	<b>135127</b>	WSTU-SCM-207
	2-1/2	<b>135185</b>	WSTU-SCM-208
	65mm	<b>125996</b>	WSTU-SCM-65M
215	2-11/16	<b>135129</b>	WSTU-SCM-211
	70mm	<b>125997</b>	WSTU-SCM-70M
216	2-15/16	<b>135130</b>	WSTU-SCM-215
	3	<b>135181</b>	WSTU-SCM-300
	75mm	<b>125998</b>	WSTU-SCM-75M

FEATURES/BENEFITS  
PAGE B3-2

NOMENCLATURE  
PAGE B3-4

SELECTION  
PAGE B3-5

RELATED PRODUCTS  
PAGE B3-133



# SELECTION/DIMENSIONS



## Setscrew Ball Bearings SCM MEDIUM DUTY WIDE SLOT TAKE-UP BEARINGS

Series	Shaft Size	Weight lbs. kgs.	Take-Up Frame No. Ref.	A	B	C*	D	E	F Screw Dia.	G
211	1-15/16	10.1	WS502	1-27/32	6-11/16	1-1/16	3-3/4	4-3/16	1-1/4	3/4
	2	10.2		46.8	159.9	27.0	95.3	106.4	31.8	19.1
	50mm	4.7								
212	2-3/16	11.4	WS502	1-63/64	7-1/2	1-1/16	4	4-11/16	1-1/4	3/4
	2-1/4	11.2		50.4	190.5	27.0	101.60	119.1	31.8	19.1
	55mm	5.1								
214	2-7/16	18.2	WS515	2-15/64	8-9/16	1-1/16	4-3/4	5-3/8	1-1/2	13/16
	2-1/2	18.0		56.8	217.5	27.0	120.7	136.5	38.1	20.6
	65mm	8.1								
215	2-11/16	19.0	WS515	2-9/32	9-1/8	1-1/16	4-3/4	5-1/2	1-1/2	13/16
	70mm	8.9		57.9	231.8	27.0	120.7	139.7	38.1	20.6
216	2-15/16	21.7	WS608	2-11/64	9-1/8	1-1/16	4-3/4	5-1/2	1-1/2	13/16
	3	21.5		55.2	231.8	27.0	120.7	139.7	38.1	20.6
	75mm	9.5								

Series	Shaft Size	H	J	K	L	M#	N	R	S	T
211	1-15/16	1	4	2-1/2	2-23/32	5-1/8	5-7/8	5/8	1-7/32	2-1/2
	2	25.4	101.6	63.5	69.1	130.2	149.2	15.9	31.0	63.5
	50mm									
212	2-3/16	1-1/4	4	2-1/2	2-31/32	5-1/8	5-7/8	43/64	1-5/16	2-1/2
	2-1/4	31.8	101.60	63.5	75.4	130.2	149.2	17.1	33.3	63.5
	55mm									
214	2-7/16	1-1/4	4-3/8	2-3/4	3-5/16	5-15/16	6-9/16	51/64	1-7/16	2-3/4
	2-1/2	31.8	111.1	69.9	84.1	150.8	166.7	20.2	36.5	69.9
	65mm									
215	2-11/16	1-1/4	4-3/8	2-3/4	3-5/8	5-15/16	6-11/16	13/16	1-15/32	2-3/4
	70mm	31.8	111.1	69.9	92.1	150.8	169.9	20.6	37.3	69.9
216	2-15/16	1-1/4	4-3/8	2-3/4	3-53/64	6-1/2	7-1/4	43/64	1-1/23	2-3/4
	3	31.8	111.1	69.9	97.2	165.1	184.2	17.1	38.1	69.9
	75mm									

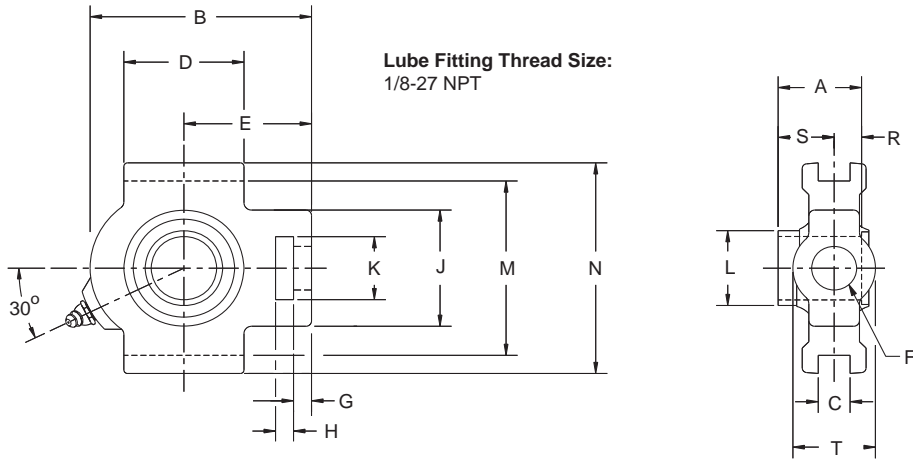
\* + or -.015, + or -.38mm #+.010, -.020" +.25mm, -.50mm

FEATURES/BENEFITS PAGE B3-2	NOMENCLATURE PAGE B3-4	SELECTION PAGE B3-5	RELATED PRODUCTS PAGE B3-133
--------------------------------	---------------------------	------------------------	---------------------------------

# SELECTION/DIMENSIONS



## Setscrew Ball Bearings VSC INTERMEDIATE DUTY WIDE SLOT TAKE-UP BEARINGS



Series	Shaft Size	Part No.	Description
204	3/4	<b>125549</b>	WSTU-VSC-012
	20mm	@	WSTU-VSC-20M
205	7/8	<b>125550</b>	WSTU-VSC-014
	15/16	<b>125551</b>	WSTU-VSC-015
	1	<b>125552</b>	WSTU-VSC-100
	25mm	@	WSTU-VSC-25M
206	1-1/8	<b>125553</b>	WSTU-VSC-102
	1-3/16	<b>125554</b>	WSTU-VSC-103
	1-1/4	<b>125556</b>	WSTU-VSC-104S
	30mm	@	WSTU-VSC-30M
207	1-1/4	<b>125555</b>	WSTU-VSC-104
	1-3/8	<b>125557</b>	WSTU-VSC-106
	1-7/16	<b>125558</b>	WSTU-VSC-107
	35mm	@	WSTU-VSC-35M

@ Assembled to order

FEATURES/BENEFITS PAGE B3-2	NOMENCLATURE PAGE B3-4	SELECTION PAGE B3-5	RELATED PRODUCTS PAGE B3-133
--------------------------------	---------------------------	------------------------	---------------------------------

# SELECTION/DIMENSIONS



## Setscrew Ball Bearings VSC INTERMEDIATE DUTY WIDE SLOT TAKE-UP BEARINGS

Series	Shaft Size	Weight lbs. kg.	Take-Up Frame No. Ref.	A	B	C*	D	E	F Screw Dia.	G
204	3/4	1.9	WS300	1-1/16	3-11/16	17/32	2	2-3/8	5/8	3/8
	20mm	0.87		27.0	93.7	13.5	50.8	60.3	15.9	9.5
205	7/8	2.2	WS300	1-3/32	3-13/16	17/32	2	2-7/16	5/8	3/8
	15/16	2.1		27.8	96.8	13.5	50.8	61.9	15.9	9.5
	1	2.0		27.8	96.8	13.5	50.8	61.9	15.9	9.5
206	25mm	0.96	WS308	1-19/64	4-3/8	17/32	2-1/4	2-3/4	3/4	3/8
	1-1/8	3.0		32.9	111.1	13.5	57.2	69.9	19.1	9.5
	1-3/16	2.9		32.9	111.1	13.5	57.2	69.9	19.1	9.5
207	1-1/4	3.8	WS308	1-7/16	4-7/8	17/32	2-1/2	3-1/16	3/4	1/2
	1-3/8	3.6		36.5	123.8	13.5	63.5	77.8	19.1	12.7
	1-7/16	3.5		36.5	123.8	13.5	63.5	77.8	19.1	12.7
35mm	1.65	36.5	123.8	13.5	63.5	77.8	19.1	12.7		

Series	Shaft Size	H	J	K	L	M#	N	R	S	T
204	3/4	5/8	2	1-1/4	1-1/8	3	3-5/8	5/16	21/64	1-3/8
	20mm	15.9	50.8	31.8	28.6	76.2	92.1	7.9	8.3	34.9
205	7/8	5/8	2	1-5/16	1-21/64	3	3-5/8	5/16	21/64	1-3/8
	15/16	15.9	50.8	33.3	33.7	76.2	92.1	7.9	8.3	34.9
	1	15.9	50.8	33.3	33.7	76.2	92.1	7.9	8.3	34.9
206	25mm	15.9	55.6	36.5	40.1	88.9	104.8	7.9	9.9	41.3
	1-1/8	5/8	2-3/16	1-7/16	1-37/64	3-1/2	4-1/8	5/16	25/64	1-5/8
	1-3/16	15.9	55.6	36.5	40.1	88.9	104.8	7.9	9.9	41.3
207	1-1/4	5/8	2-1/2	1-7/16	1-27/32	3-1/2	4-1/8	5/16	13/32	1-5/8
	1-3/8	15.9	63.5	36.5	46.8	88.9	104.8	7.9	10.3	41.3
	1-7/16	15.9	63.5	36.5	46.8	88.9	104.8	7.9	10.3	41.3
35mm	15.9	63.5	36.5	46.8	88.9	104.8	7.9	10.3	41.3	

\* + or .015", + or -.38mm

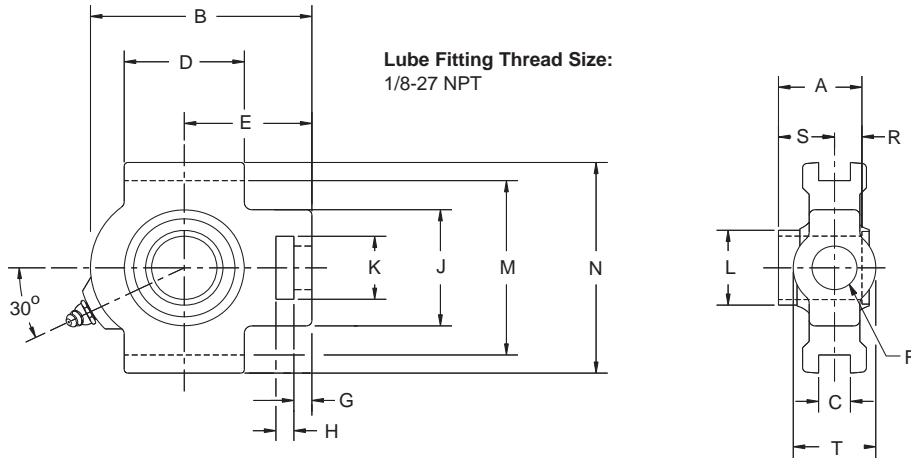
# +.010, -.020" +.25, -.50mm

FEATURES/BENEFITS PAGE B3-2	NOMENCLATURE PAGE B3-4	SELECTION PAGE B3-5	RELATED PRODUCTS PAGE B3-133
--------------------------------	---------------------------	------------------------	---------------------------------

# SELECTION/DIMENSIONS



## Setscrew Ball Bearings VSC INTERMEDIATE DUTY WIDE SLOT TAKE-UP BEARINGS



Series	Shaft Size	Part No.	Description
208	1-1/2 40mm	<b>125559</b> @	WSTU-VSC-108 WSTU-VSC-40M
209	1-11/16	<b>125560</b>	WSTU-VSC-111
	1-3/4 45mm	<b>125561</b> @	WSTU-VSC-112 WSTU-VSC-45M
210	1-15/16	<b>125562</b>	WSTU-VSC-115
	2	<b>125563</b>	WSTU-VSC-200
	50mm	@	WSTU-VSC-50M
211	2	<b>125564</b>	WSTU-VSC-200L
	2-3/16	<b>125565</b>	WSTU-VSC-203
	55mm	@	WSTU-VSC-55M

@ Assembled to order

FEATURES/BENEFITS PAGE B3-2	NOMENCLATURE PAGE B3-4	SELECTION PAGE B3-5	RELATED PRODUCTS PAGE B3-133
--------------------------------	---------------------------	------------------------	---------------------------------

# SELECTION/DIMENSIONS



## Setscrew Ball Bearings VSC INTERMEDIATE DUTY WIDE SLOT TAKE-UP BEARINGS

Bearing Quick Reference

E-Z KLEEN

GRIP TIGHT Adapter Ball Bearing

Set Screw Ball Bearing

Eccentric Collar Ball Bearing

Series	Shaft Size	Weight lbs. kg.	Take-Up Frame No. Ref.	A	B	C*	D	E	F Screw Dia.	G
208	1-1/2	6.1	WS400	1-9/16	5-11/16	11/16	3-1/4	3-1/2	1	5/8
	40mm	2.80		39.7	144.5	17.5	82.6	88.9	25.4	15.9
209	1-11/16	6.0	WS400	1-19/32	5-5/8	11/16	3-1/4	3-7/16	1	5/8
	1-3/4	5.9		40.5	142.9	17.5	82.6	87.3	25.4	15.9
	45mm	2.76								
210	1-15/16	6.4	WS400	1-5/8	5-13/16	11/16	3-3/8	3-9/16	1	5/8
	2	6.2		41.3	147.6	17.5	85.7	90.5	25.4	15.9
	50mm	2.94								
211	2	10.1	WS502	1-23/32	6-11/16	1-1/16	3-3/4	4-3/16	1-1/4	3/4
	2-3/16	10.0		43.7	169.9	27.0	95.3	106.4	31.8	19.1
	55mm	4.65								

Series	Shaft Size	H	J	K	L	M#	N	R	S	T
208	1-1/2	3/4	3-1/4	1-15/16	2-3/64	4	4-1/2	3/8	15/32	1-15/16
	40mm	19.1	82.6	49.2	52.0	101.6	114.3	9.5	11.9	49.2
209	1-11/16	3/4	3-1/4	1-15/16	2-7/32	4	4-3/4	3/8	15/32	1-15/16
	1-3/4	19.1	82.6	49.2	56.4	101.6	120.7	9.5	11.9	49.2
	45mm	19.1	82.6	49.2	56.4	101.6	120.7	9.5	11.9	49.2
210	1-15/16	3/4	3-1/4	1-15/16	2-7/16	4	4-3/4	3/8	15/32	1-15/16
	2	19.1	82.6	49.2	61.9	101.6	120.7	9.5	11.9	49.2
	50mm	19.1	82.6	49.2	61.9	101.6	120.7	9.5	11.9	49.2
211	2	1	4	2-1/2	2-23/32	5-1/8	5-7/8	7/16	1/2	2-1/2
	2-3/16	25.4	101.6	63.5	69.1	130.2	149.2	11.1	12.7	63.5
	55mm	25.4	101.6	63.5	69.1	130.2	149.2	11.1	12.7	63.5

\* + or .015", + or -.38mm

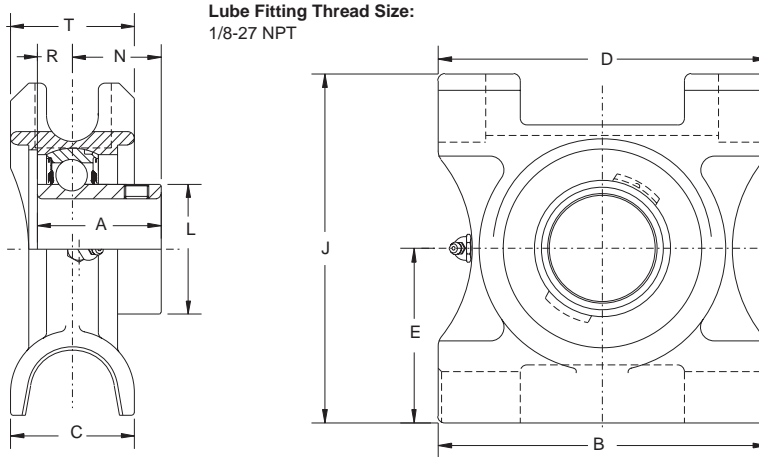
# +.010, -.020" +.25, -.50mm

FEATURES/BENEFITS PAGE B3-2	NOMENCLATURE PAGE B3-4	SELECTION PAGE B3-5	RELATED PRODUCTS PAGE B3-133
--------------------------------	---------------------------	------------------------	---------------------------------

# SELECTION/DIMENSIONS



## Setscrew Ball Bearings TYPE G NORMAL DUTY TOP ANGLE TAKE-UP BEARINGS



Series	Shaft Size	Part No.	Description
210	1-15/16	<b>012340</b>	TP-G-115
	2	<b>012302</b>	TP-G-200
211	2	<b>136081</b>	TP-GM-200
	2-3/16	<b>012341</b>	TP-G-203
	2-1/4	<b>012303</b>	TP-G-204
212	2-1/4	<b>136082</b>	TP-GM-204
	2-7/16	<b>012342</b>	TP-G-207
214	2-1/2	<b>136083</b>	TP-GM-208
	2-11/15	@	TP-G-211
215	2-15/16	<b>012343</b>	TP-G-215

@ Assembled to order

FEATURES/BENEFITS PAGE B3-2	NOMENCLATURE PAGE B3-4	SELECTION PAGE B3-5	RELATED PRODUCTS PAGE B3-133
--------------------------------	---------------------------	------------------------	---------------------------------

# SELECTION/DIMENSIONS



## Setscrew Ball Bearings TYPE G NORMAL DUTY TOP ANGLE TAKE-UP BEARINGS

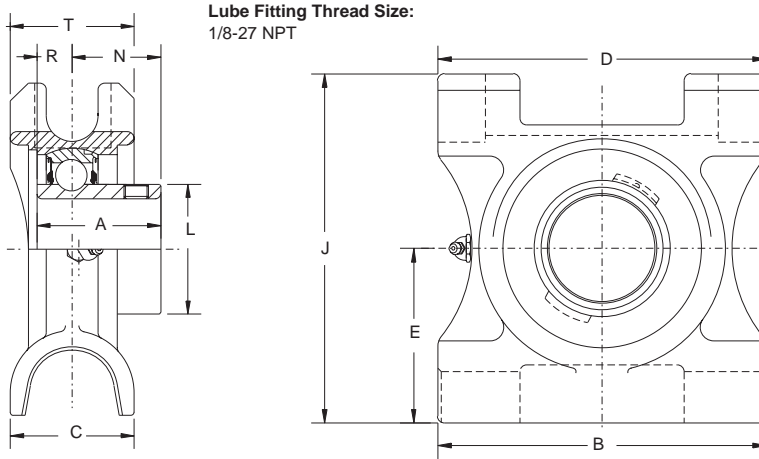
Series	Shaft Size	Weight lbs.	Frame Size	A	B	C	D	E	J	L	N	R	T
210	1-15/16 2	10.2 10.0	TP10	1-3/4	6-1/2	2-3/8	6	3-1/4	6-3/8	2-7/16	1-5/32	19/32	2-3/8
211	2-3/16 2-1/4	12.5 12.4 1.02	TP20	1-27/32	7	2-1/2	6-3/4	3-3/8	6-7/8	2-23/32	1-7/32	5/8	2-3/8
212	2-1/4 2-7/16	16.0 15.9	TP30	1-63/64	7-1/2	2-3/4	7	3-1/2	7-7/16	2-31/32	1-5/16	43/64	2-3/4
214	2-1/2 2-11/15	21.3 21.1	TP40	2-15/64	8-1/2	2-1/2	8	4	8-15/16	3-5/16	1-7/16	51-64	2-3/4
215	2-15/16	21.2	TP40	2-9/64	8-1/2	2-1/2	8	4	8-5/16	3-5/8	1-15/32	13/16	2-3/4

FEATURES/BENEFITS PAGE B3-2	NOMENCLATURE PAGE B3-4	SELECTION PAGE B3-5	RELATED PRODUCTS PAGE B3-133
--------------------------------	---------------------------	------------------------	---------------------------------

# SELECTION/DIMENSIONS



## Setscrew Ball Bearings TYPE GM MEDIUM DUTY TOP ANGLE TAKE-UP BEARINGS



Series	Shaft Size	Part No.	Description
210	1-11/16	<b>136070</b>	TP-GM-111
	1-3/4	<b>136080</b>	TP-GM-112
211	1-15/16	<b>136071</b>	TP-GM-115
	2	<b>136081</b>	TP-GM-200
212	2-3/16	<b>136072</b>	TP-GM-203
	2-1/4	<b>136082</b>	TP-GM-204
214	2-7/16	<b>136073</b>	TP-GM-207
	2-1/2	<b>136083</b>	TP-GM-208
215	2-11/16	<b>136076</b>	TP-GM-211
216	2-15/16	<b>136074</b>	TP-GM-215
	3	<b>136084</b>	TP-GM-300
218	3-7/16	<b>136075</b>	TP-GM-307
	3-1/2	<b>136085</b>	TP-GM-308

FEATURES/BENEFITS PAGE B3-2	NOMENCLATURE PAGE B3-4	SELECTION PAGE B3-5	RELATED PRODUCTS PAGE B3-133
--------------------------------	---------------------------	------------------------	---------------------------------



# SELECTION/DIMENSIONS



## Setscrew Ball Bearings

### TYPE GM MEDIUM DUTY TOP ANGLE TAKE-UP BEARINGS

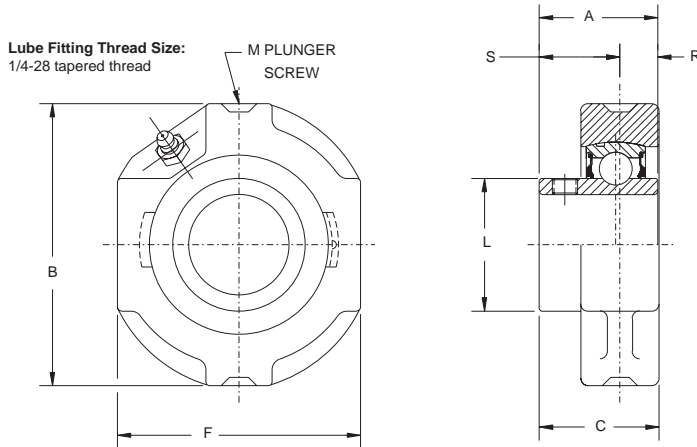
Series	Shaft Size	Weight lbs.	Frame Size	A	B	C	D	E	J	L	N	R	T
210	1-11/16 1-3/4	10.4 10.0	TP10	1-3/4	6-1/2	2-3/8	6	3-1/4	6-3/8	2-7/16	1-5/32	19/32	2-3/8
211	1-15/16 2	12.8 12.5	TP20	1-27/32	7	2-1/2	6-3/4	3-3/8	6-7/8	2-23/32	1-7/32	5/8	2-3/8
212	2-3/16 2-1/4	16.2 16.0	TP30	1-63/64	7-1/2	2-3/4	7	3-1/2	7-7/16	2-31/32	1-5/16	43/64	2-3/4
214	2-7/16 2-1/2	21.7 21.0	TP40	2-15/64	8-1/2	2-1/2	8	4	8-5/16	3-5/16	1-7/16	51/64	2-3/4
215	2-11/16	25.0	TP40	2-9/32	8-1/2	2-1/2	8	4	8-5/16	3-5/8	1-15/32	13/16	2-3/4
216	2-15/16 3	29.8 29.5	TP50	2-11/64	9-1/2	2-3/4	9	4-1/2	9-5/8	3-53/64	1-1/2	43/64	3-1/8
218	3-7/16 3-1/2	40.2 40.0	TP60	2-31/64	11	3-1/8	10-1/2	5-1/2	11	4-23/64	1-9/16	59/64	3-1/8

FEATURES/BENEFITS PAGE B3-2	NOMENCLATURE PAGE B3-4	SELECTION PAGE B3-5	RELATED PRODUCTS PAGE B3-133
--------------------------------	---------------------------	------------------------	---------------------------------

# SELECTION/DIMENSIONS



## Setscrew Ball Bearings SC NORMAL DUTY HANGER BEARINGS



Series	Shaft Size	Part No.	Description
206	1-1/16	<b>124420</b>	HNG-SC-101
	1-1/8	<b>124421</b>	HNG-SC-102
	1-3/16	<b>124240</b>	HNG-SC-103
	1-1/4	<b>123176</b>	HNG-SC-104S
207	1-1/4	<b>124422</b>	HNG-SC-104
	1-5/16	<b>124423</b>	HNG-SC-105
	1-3/8	<b>124424</b>	HNG-SC-106
	1-7/16	<b>124242</b>	HNG-SC-107
210	1-15/16	<b>124245</b>	HNG-SC-115
	2	<b>124393</b>	HNG-SC-200

These bearings are designed for use in 4-point hanger frames.

FEATURES/BENEFITS PAGE B3-2	NOMENCLATURE PAGE B3-4	SELECTION PAGE B3-5	RELATED PRODUCTS PAGE B3-133
--------------------------------	---------------------------	------------------------	---------------------------------

# SELECTION/DIMENSIONS



## Setscrew Ball Bearings SC NORMAL DUTY HANGER BEARINGS

Bearing Quick Reference

E-Z KLEEN

GRIP TIGHT Adapter Ball Bearing

Set Screw Ball Bearing

Eccentric Collar Ball Bearing

Series	Shaft Size	Weight lbs.	A	B	C	F	L	M	R	S
206	1-1/16	2.0	1-25/64	3-5/8	1-15/32	3	1-37/64	1/2	31/64	29/32
	1-1/8	1.9								
	1-3/16	1.8								
	1-1/4	1.7								
207	1-1/4	2.8	1-17/32	4-1/4	1-43/64	3-1/2	1-27/32	1/2	1/2	1-1/32
	1-5/16	2.6								
	1-3/8	2.4								
	1-7/16	2.2								
210	1-15/16	6.2	1-3/4	5	1-31/32	4-3/16	2-7/16	5/8	19/32	1-5/32
	2	6.0								

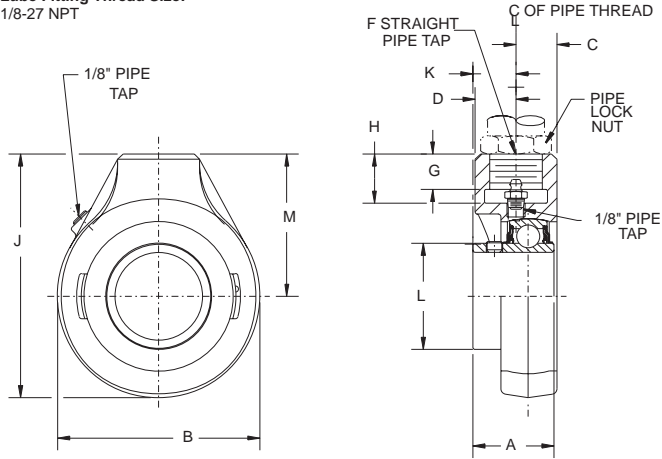
FEATURES/BENEFITS PAGE B3-2	NOMENCLATURE PAGE B3-4	SELECTION PAGE B3-5	RELATED PRODUCTS PAGE B3-133
--------------------------------	---------------------------	------------------------	---------------------------------

# SELECTION/DIMENSIONS



## Setscrew Ball Bearings SC NORMAL DUTY SCREW CONVEYOR HANGER BEARINGS

Lube Fitting Thread Size:  
1/8-27 NPT



Series	Shaft Size	Part No.	Description
206	1	<b>057878</b>	SCHB-SC-100
	1-1/8	<b>@</b>	SCHB-SC-102
207	1-3/16	<b>057220</b>	SCHB-SC-103
	1-1/4	<b>124996</b>	SCHB-SC-104
	1-3/8	<b>058630</b>	SCHB-SC-106
208	1-7/16	<b>126049</b>	SCHB-SC-107
	1-1/2	<b>124290</b>	SCHB-SC-108
	1-5/8	<b>124404</b>	SCHB-SC-110
210	1-11/16	<b>124408</b>	SCHB-SC-111
	1-3/4	<b>124299</b>	SCHB-SC-112
	1-15/16	<b>124405</b>	SCHB-SC-115
	2	<b>124291</b>	SCHB-SC-200
212	2-3/16	<b>124409</b>	SCHB-SC-203
	2-1/4	<b>124419</b>	SCHB-SC-204
	2-7/16	<b>124292</b>	SCHB-SC-207
216	2-15/16	<b>124406</b>	SCHB-SC-215
	3	<b>124293</b>	SCHB-SC-300
218	3-7/16	<b>053320</b>	SCHB-SC-307
	3-1/2	<b>057361</b>	SCHB-SC-308

@ Assembled to order

FEATURES/BENEFITS PAGE B3-2	NOMENCLATURE PAGE B3-4	SELECTION PAGE B3-5	RELATED PRODUCTS PAGE B3-133
--------------------------------	---------------------------	------------------------	---------------------------------

# SELECTION/DIMENSIONS



## Setscrew Ball Bearings SC NORMAL DUTY SCREW CONVEYOR HANGER BEARINGS

Bearing Quick Reference

E-Z KLEEN

GRIP TIGHT Adapter Ball Bearing

Set Screw Ball Bearing

Eccentric Collar Ball Bearing

Series	Size	Weight Lbs.	A	B	C	D	F*	G	H	J	K	L	M
206	1 1-1/8	3.0	1-25/64	3-1/8	53/64	47/64	3/4 - 14	3/4	15/16	4-1/16	55/64	1-37/64	2-1/2
207	1-3/16	3.5	1-17/32	3-7/8	53/64	53/64	3/4 - 14	5/8	15/16	4-11/16	31/32	1-27/32	2-3/4
	1-1/4	3.5											
	1-3/8	3.5											
208	1-7/16	3.4	1-11/16	4	53/64	53/64	3/4 - 14	5/8	15/16	4-7/8	59/64	2-3/64	2-7/8
	1-1/2	3.4											
	1-5/8	3.8											
210	1-11/16	5.4	1-3/4	4-5/8	15/16	7/8	1 - 11-1/2	13/16	1-1/8	5-9/16	7/8	2-7/16	3-1/4
	1-3/4	4.8											
	1-15/16	4.5											
	2	4.4											
212	2-3/16	5.0	1-63/64	5-1/2	1-5/32	1-5/32	1-1/4 - 11-1/2	1-1/8	1-7/16	6-3/4	31/32	2-31/32	4
	2-1/4	5.0											
	2-7/16	7.4											
216	2-15/16	14.0	2-11/64	7	1-23/64	1-13/32	1-1/2 - 11-1/2	1-1/4	1-11/16	8-3/8	1-11/64	3-53/64	4-7/8
	3	14.6											
218	3-7/16	21.2	2-31/64	8-5/16	1-3/4	1-3/4	2 - 11-1/2	1-3/4	2-3/16	10-5/32	1-23/64	4-23/64	6
	3-1/2	21.0											

Use straight thread for the pipe. Bearing to be secured with a heavy locknut  
Pipe plug and lube fitting are factory installed and may be reversed from position shown

NOTE: Inserts use the ProGuard Plus (-FF) seals. 1, 1-3/16, 1-7/16, 1-11/16, 1-3/4, 2-3/16, 2-1/4  
2-15/16, 3, 3-7/16 & 3-1/2 use SCM inserts with flingers.

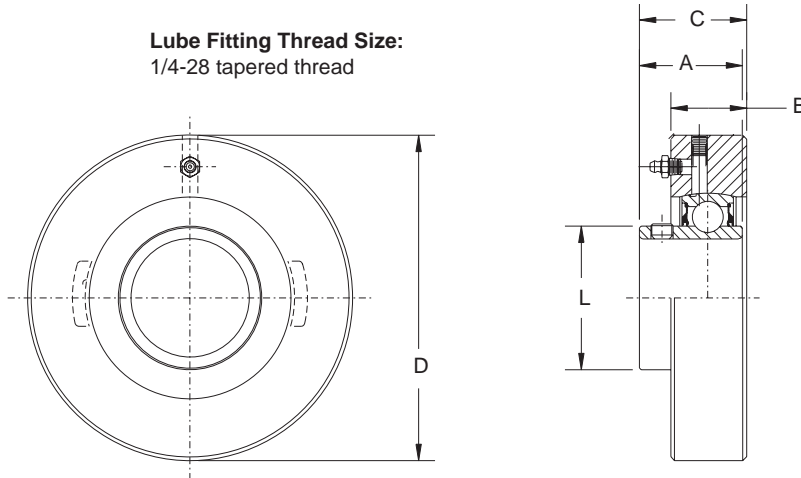
FEATURES/BENEFITS PAGE B3-2	NOMENCLATURE PAGE B3-4	SELECTION PAGE B3-5	RELATED PRODUCTS PAGE B3-133
--------------------------------	---------------------------	------------------------	---------------------------------

# SELECTION/DIMENSIONS



## Setscrew Ball Bearings SC NORMAL DUTY CYLINDRICAL UNITS

**Lube Fitting Thread Size:**  
1/4-28 tapered thread



Series	Shaft Size	Part No.	Description
205	7/8	<b>124394</b>	CYL-SC-014
	15/16	<b>124148</b>	CYL-SC-015
	1	<b>124149</b>	CYL-SC-100
206	1-1/16	<b>124427</b>	CYL-SC-101
	1-1/8	<b>124428</b>	CYL-SC-102
	1-3/16	<b>124250</b>	CYL-SC-103
	1-1/4	<b>123177</b>	CYL-SC-104S
207	1-1/4	<b>124251</b>	CYL-SC-104
	1-5/16	<b>124429</b>	CYL-SC-105
	1-3/8	<b>124430</b>	CYL-SC-106
	1-7/16	<b>124253</b>	CYL-SC-107

# SELECTION/DIMENSIONS



## Setscrew Ball Bearings SC NORMAL DUTY CYLINDRICAL UNITS

Bearing Quick Reference

E-Z KLEEN

GRIP TIGHT Adapter Ball Bearing

Set Screw Ball Bearing

Eccentric Collar Ball Bearing

Series	Shaft Size	Weight lbs.	A	B	C	D#	L
205	7/8	1.4	1-3/16	27/32	1-11/64	3-1/8	1-21/64
	15/16	1.3					
	1	1.2					
206	1-1/16	2.2	1-25/64	15/16	1-11/32	3-1/2	1-37/64
	1-1/8	2.1					
	1-3/16	2.0					
	1-1/4	1.9					
207	1-1/4	2.8	1-17/32	1-1/16	1-17/32	3-7/8	1-27/32
	1-5/16	2.7					
	1-3/8	2.6					
	1-7/16	2.5					

# +.000" -.002

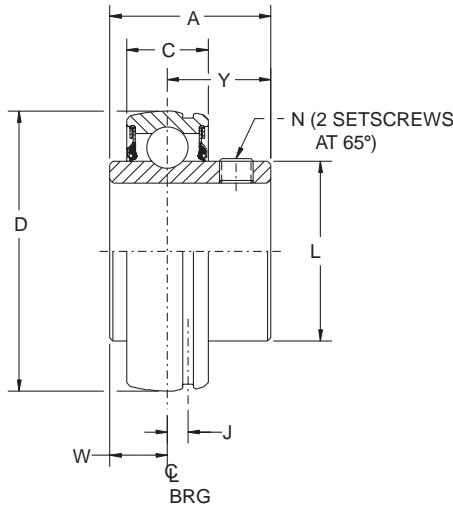
To prevent the housing from rotating in the machine frame, tap a hole on the joint between the housing O. D. and the machine frame bore and lock with a setscrew.

FEATURES/BENEFITS PAGE B3-2	NOMENCLATURE PAGE B3-4	SELECTION PAGE B3-5	RELATED PRODUCTS PAGE B3-133
--------------------------------	---------------------------	------------------------	---------------------------------

# SELECTION/DIMENSIONS



## Setscrew Ball Bearings SC NORMAL DUTY BEARING INSERTS



Series	Shaft Size	Standard Insert		Insert With Flingers		Corrosion Resistant Insert		High Temp	
		Part No.	Description	Part No.	Description	Part No.	Description	Part No.	Description
203	1/2	<b>123328</b>	INS-SC-008	<b>052159</b>	INS-SC-008-FF	<b>059759</b>	INS-SC-008-CR*	-----	INS-SC-008-HT
	5/8	<b>123329</b>	INS-SC-010	@	INS-SC-010-FF	@	INS-SC-010-CR*	-----	INS-SC-010-HT
	17mm	<b>125800</b>	INS-SC-17M	@	INS-SC-17M-FF	@	INS-SC-17M-CR*	-----	INS-SC-17M-HT
204	1/2	<b>123330</b>	INS-SC-008L	@	INS-SC-008L-FF	<b>052981</b>	INS-SC-008L-CR*	@	INS-SC-008L-HT
	5/8	<b>123331</b>	INS-SC-010L	<b>124932</b>	INS-SC-010L-FF	<b>127073</b>	INS-SC-010L-CR*	@	INS-SC-010L-HT
	3/4	<b>123332</b>	INS-SC-012	<b>123070</b>	INS-SC-012-FF	<b>045600</b>	INS-SC-012-CR	<b>052032</b>	INS-SC-012-HT
	13/16	@	INS-SC-013	@	INS-SC-013-FF	@	INS-SC-013-CR*	@	INS-SC-013-HT
	20mm	<b>125802</b>	INS-SC-20M	<b>050524</b>	INS-SC-20M-FF	<b>125873</b>	INS-SC-20M-CR*	@	INS-SC-20M-HT
205	7/8	<b>123333</b>	INS-SC-014	<b>124931</b>	INS-SC-014-FF	<b>058665</b>	INS-SC-014-CR*	<b>068013</b>	INS-SC-014-HT
	15/16	<b>123334</b>	INS-SC-015	<b>123069</b>	INS-SC-015-FF	@	INS-SC-015-CR*	@	INS-SC-015-HT
	1	<b>123335</b>	INS-SC-100	<b>123071</b>	INS-SC-100-FF	<b>045601</b>	INS-SC-100-CR	<b>054949</b>	INS-SC-100-HT
	25mm	<b>125804</b>	INS-SC-25M	<b>052620</b>	INS-SC-25M-FF	<b>050580</b>	INS-SC-25M-CR	@	INS-SC-25M-HT
206	1-1/16	<b>123336</b>	INS-SC-101	@	INS-SC-101-FF	@	INS-SC-101-CR*	@	INS-SC-101-HT
	1-1/8	<b>123337</b>	INS-SC-102	<b>123234</b>	INS-SC-102-FF	@	INS-SC-102-CR*	@	INS-SC-102-HT
	1-3/16	<b>123338</b>	INS-SC-103	<b>123072</b>	INS-SC-103-FF	<b>045602</b>	INS-SC-103-CR	<b>067902</b>	INS-SC-103-HT
	1-1/4	<b>123469</b>	INS-SC-104S	<b>123073</b>	INS-SC-104S-FF	<b>045603</b>	INS-SC-104S-CR	@	INS-SC-104S-HT
	30mm	<b>125806</b>	INS-SC-30M	<b>052621</b>	INS-SC-30M-FF	<b>125874</b>	INS-SC-30M-CR	@	INS-SC-30M-HT
207	1-1/4	<b>123339</b>	INS-SC-104	<b>123074</b>	INS-SC-104-FF	<b>045412</b>	INS-SC-104-CR	<b>053776</b>	INS-SC-104-HT
	1-5/16	<b>123340</b>	INS-SC-105	<b>057102</b>	INS-SC-105-FF	<b>058345</b>	INS-SC-105-CR*	<b>057201</b>	INS-SC-105-HT
	1-3/8	<b>123341</b>	INS-SC-106	<b>123460</b>	INS-SC-106-FF	<b>058965</b>	INS-SC-106-CR*	<b>057354</b>	INS-SC-106-HT
	1-7/16	<b>123368</b>	INS-SC-107	<b>123075</b>	INS-SC-107-FF	<b>045604</b>	INS-SC-107-CR	<b>052645</b>	INS-SC-107-HT
	35mm	<b>125808</b>	INS-SC-35M	<b>052622</b>	INS-SC-35M-FF	<b>050653</b>	INS-SC-35M-CR	@	INS-SC-35M-HT

@ Assembled to order

\* 20 piece minimum

FEATURES/BENEFITS PAGE B3-2	NOMENCLATURE PAGE B3-4	SELECTION PAGE B3-5	RELATED PRODUCTS PAGE B3-133
--------------------------------	---------------------------	------------------------	---------------------------------



# SELECTION/DIMENSIONS



## Setscrew Ball Bearings SC NORMAL DUTY BEARING INSERTS

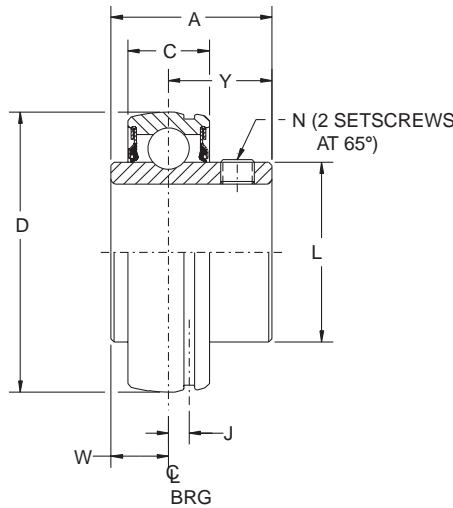
Series	Shaft Size	Weight lbs. kgs,	A	C	D	J	L	N	W	Y
203	1/2	.25	1	.511	1.5748	0.150	31/32	10-32	23/64	41/64
	5/8	.23								
	17mm	.10	25.4	13.0	40.0	3.0	24.6	M5x.8	9.1	16.3
204	1/2	.38	1-5/32	.5906	1.8504	0.152	1-1/8	10-32	27/64	47/64
	5/8	.35						10-32		
	3/4	.32						1/4-28		
	13/16	.29						1/4-28		
	20mm	.16	29.4	15.0	47.0	3.9	28.6	M6x1	10.7	18.7
205	7/8	.43	1-3/16	.5906	2.0472	.152	1-21/64	1/4-28	27/64	49/64
	15/16	.40								
	1	.37								
	25mm	.18	30.2	15.0	52.0	3.9	33.7	M6x1	10.7	19.4
206	1-1/16	.67	1-25/64	.7067	2.4409	.190	1-37/64	5/16-24	31/64	29/32
	1-1/8	.63						5/16-24		
	1-3/16	.60						5/16-24		
	1-1/4	.58						1/4-28		
	30mm	.27	35.3	18.0	62.0	4.8	40.1	M8x1.25	12.3	23.0
207	1-1/4	1.02	1-17/32	.7480	2.8346	.202	1-27/32	5/16-24	1/2	1-1/32
	1-5/16	.97								
	1-3/8	.92								
	1-7/16	.86								
	35mm	.44	38.9	19.0	72.0	5.1	46.8	M8x1.25	12.7	26.2

FEATURES/BENEFITS PAGE B3-2	NOMENCLATURE PAGE B3-4	SELECTION PAGE B3-5	RELATED PRODUCTS PAGE B3-133
--------------------------------	---------------------------	------------------------	---------------------------------

# SELECTION/DIMENSIONS



## Setscrew Ball Bearings SC NORMAL DUTY BEARING INSERTS



Series	Shaft Size	Standard Insert		Insert With Flingers		Corrosion Resistant Insert		High Temp	
		Part No.	Description	Part No.	Description	Part No.	Description	Part No.	Description
208	1-1/2	<b>123342</b>	INS-SC-108	<b>123075</b>	INS-SC-108-FF	<b>045605</b>	INS-SC-108-CR	<b>064149</b>	INS-SC-108-HT
	1-5/8	<b>123343</b>	INS-SC-110	<b>123409</b>	INS-SC-110-FF	@	INS-SC-110-CR*	@	INS-SC-110-HT
	40mm	<b>125810</b>	INS-SC-40M	<b>052623</b>	INS-SC-40M-FF	<b>050654</b>	INS-SC-40M-CR	<b>064865</b>	INS-SC-40M-HT
209	1-5/8	<b>045874</b>	INS-SC-110L	@	INS-SC-110L-FF	@	INS-SC-110L-CR*	@	INS-SC-110L-HT
	1-11/16	<b>123344</b>	INS-SC-111	@	INS-SC-111-FF	<b>125004</b>	INS-SC-111-CR	<b>053565</b>	INS-SC-111-HT
	1-3/4	<b>123345</b>	INS-SC-112	<b>045677</b>	INS-SC-112-FF	<b>054145</b>	INS-SC-112-CR*	@	INS-SC-112-HT
	1-13/16 45mm	<b>054225</b> <b>125812</b>	INS-SC-113 INS-SC-45M	@ <b>064877</b>	INS-SC-113-FF INS-SC-45M-FF	@ <b>125005</b>	INS-SC-113-CR* INS-SC-45M-CR*	@ @	INS-SC-113-HT INS-SC-45M-HT
210	1-15/16	<b>123346</b>	INS-SC-115	<b>123077</b>	INS-SC-115-FF	<b>045606</b>	INS-SC-115-CR	<b>054019</b>	INS-SC-115-HT
	2	<b>123347</b>	INS-SC-200	<b>123413</b>	INS-SC-200-FF	<b>045338</b>	INS-SC-200-CR	<b>054431</b>	INS-SC-200-HT
	50mm	<b>125814</b>	INS-SC-50M	@	INS-SC-50M-FF	<b>050656</b>	INS-SC-50M-CR	@	INS-SC-50M-HT
211	2	<b>123358</b>	INS-SCM-200	<b>068604</b>	INS-SCM-200-FF	<b>125175</b>	INS-SCM-200-CR*	<b>058157</b>	INS-SCM-200-HT
	2-3/16	<b>123348</b>	INS-SC-203	<b>058230</b>	INS-SC-203-FF	<b>058178</b>	INS-SC-203-CR*	@	INS-SC-203-HT
	2-1/4	<b>123349</b>	INS-SC-204	<b>058220</b>	INS-SC-204-FF	<b>053825</b>	INS-SC-204-CR*	@	INS-SC-204-HT
	55mm	<b>125816</b>	INS-SC-55M	@	INS-SC-55M-FF	@	INS-SC-55M-CR*	@	INS-SC-55M-HT
212	2-1/4	<b>123360</b>	INS-SCM-204	<b>064636</b>	INS-SCM-204-FF	<b>053900</b>	INS-SCM-204-CR*	@	INS-SCM-204-HT
	2-7/16	<b>123350</b>	INS-SC-207	<b>123416</b>	INS-SC-207-FF	<b>057681</b>	INS-SC-207-CR*	<b>054196</b>	INS-SC-207-HT
	60mm	<b>125818</b>	INS-SC-60M	@	INS-SC-60M-FF	@	INS-SC-60M-CR*	<b>057802</b>	INS-SC-60M-HT
214	2-1/2	<b>123362</b>	INS-SCM-208	@	INS-SCM-208-FF	<b>053831</b>	INS-SCM-208-CR*	@	INS-SCM-208-HT
	2-11/16	<b>123326</b>	INS-SC-211	@	INS-SC-211-FF	@	INS-SC-211-CR*	@	INS-SC-211-HT
	70mm	<b>125820</b>	INS-SC-70M	@	INS-SC-70M-FF	@	INS-SC-70M-CR*	@	INS-SC-70M-HT
215	2-15/16	<b>123352</b>	INS-SC-215	<b>050365</b>	INS-SC-215-FF	@	INS-SC-215-CR*	@	INS-SC-215-HT
	75mm	<b>125822</b>	INS-SC-75M	@	INS-SC-75M-FF	@	INS-SC-75M-CR*	@	INS-SC-75M-HT
218	90mm	@	INS-SC-90M	@	INS-SC-90M-FF	@	INS-SC-90M-CR*	@	INS-SC-90M-HT

@ Assembled to order.

\* 20 piece minimum

FEATURES/BENEFITS PAGE B3-2	NOMENCLATURE PAGE B3-4	SELECTION PAGE B3-5	RELATED PRODUCTS PAGE B3-133
--------------------------------	---------------------------	------------------------	---------------------------------

# SELECTION/DIMENSIONS



## Setscrew Ball Bearings SC NORMAL DUTY BEARING INSERTS

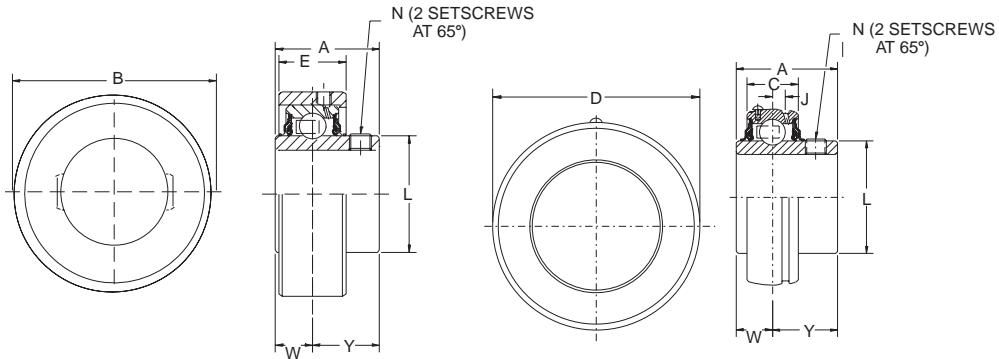
Series	Shaft Size	Weight lbs. kgs,	A	C	D	J	L	N	W	Y
208	1-1/2	1.27	1-11/16	.8661	3.149	.224	2-3/64	5/16-24	19/32	1-3/32
	1-5/8	1.13								
	40mm	0.51	42.9	22.0	80.0	5.7	52.0	M8x1.25	15.1	27.8
209	1-5/8	1.49	1-23/32	.8661	3.3465	.248	2-7/32	5/16-24	19/32	1-1/8
	1-11/16	1.43								
	1-3/4	1.36								
	1-13/16	1.30								
	45mm	0.62	43.7	22.0	85.0	6.3	56.4	M8x1.25	15.1	28.6
210	1-15/16	1.48	1-3/4	.8661	3.5433	.248	2-7/16	3/8-24	19/32	1-5/32
	2	1.39								
	50mm	0.67	44.5	22.0	90.0	6.3	61.9	M10x1.5	15.1	29.4
211	2	2.26	1-27/32	.9449	3.9370	.267	2-23/32	3/8-24	5/8	1-7/32
	2-3/16	1.97								
	2-1/4	1.87								
	55mm	0.89	46.8	24.0	100.0	6.8	69.1	M10x1.5	15.9	31.0
212	2-1/4	2.85	1-63/64	1.0240	4.3307	.250	2-31/32	3/8-24	43/64	1-5/16
	2-7/16	2.49								
	60mm	1.13	50.4	26.0	110.0	6.4	75.4	M10x1.5	17.1	33.3
214	2-1/2	4.25	2-15/64	1.1020	4.9213	.264	3-5/16	3/8-24	51/64	1-7/16
	2-11/16	3.60								
	70mm	1.63	56.8	28.0	125.0	6.7	84.1	M10x1.5	20.2	36.5
215	2-15/16	3.86	2-9/32	1.1420	5.1181	.265	3-5/8	3/8-24	13/16	1-15/32
	75mm	1.75	57.9	29.0	130.0	6.7	92.1	M10x1.5	20.6	37.3
218	90mm	3.30	63.1	34.0	160.0	7.6	110.7	M10x1.5	23.4	39.7

FEATURES/BENEFITS PAGE B3-2	NOMENCLATURE PAGE B3-4	SELECTION PAGE B3-5	RELATED PRODUCTS PAGE B3-133
--------------------------------	---------------------------	------------------------	---------------------------------

# SELECTION/DIMENSIONS



## Setscrew Ball Bearings SCH-E EXPANSION AND SCH NON-EXPANSION NORMAL DUTY BEARING INSERTS



Series	Shaft Size	Expansion		Non-Expansion	
		Part No.	Description	Part No.	Description
206	1	@	INS-SCMH-100-E	@	INS-SCMH-100
	1-1/16	@	INS-SCH-101-E	@	INS-SCH-101M
	1-1/8	@	INS-SCH-102-E	@	INS-SCH-102
	1-3/16	<b>126495</b>	INS-SCH-103-E	<b>126490</b>	INS-SCH-103
	1-1/4	@	INS-SCH-104S-E	@	INS-SCH-104S
	30mm	<b>049925</b>	<i>INS-SCH-30M-E</i>	@	<i>INS-SCH-30M</i>
207	1-1/4	@	INS-SCH-104-E	@	INS-SCH-104
	1-5/16	@	INS-SCH-105-E	@	INS-SCH-105
	1-3/8	@	INS-SCH-106-E	@	INS-SCH-106
	1-7/16	<b>126496</b>	INS-SCH-107-E	<b>126491</b>	INS-SCH-107
	35mm	@	<i>INS-SCH-35M-E</i>	@	<i>INS-SCH-35M</i>
209	1-1/2	@	INS-SCMH-108-E	@	INS-SCMH-108
	1-5/8	@	INS-SCH-110-E	@	INS-SCH-110
	1-11/16	<b>068478</b>	INS-SCH-111-E	@	INS-SCH-111
	1-3/4	@	INS-SCH-112-E	@	INS-SCH-112
	45mm	@	<i>INS-SCH-45M-E</i>	@	<i>INS-SCH-45M</i>
210	1-11/16	@	INS-SCMH-111-E	@	INS-SCMH-111
	1-3/4	@	INS-SCMH-112-E	@	INS-SCMH-112
	1-15/16	<b>126497</b>	INS-SCH-115-E	<b>126492</b>	INS-SCH-115
	2	@	INS-SCH-200-E	@	INS-SCH-200
	50mm	@	<i>INS-SCH-50M-E</i>	@	<i>INS-SCH-50M</i>
211	1-15/16	@	INS-SCMH-115-E	@	INS-SCMH-115
	2	@	INS-SCMH-200-E	@	INS-SCMH-200
	2-3/16	<b>126498</b>	INS-SCH-203-E	<b>126493</b>	INS-SCH-203
	2-1/4	@	INS-SCH-204-E	@	INS-SCH-204
	55mm	@	<i>INS-SCH-55M-E</i>	@	<i>INS-SCH-55M</i>
212	2-3/16	@	INS-SCMH-203-E	@	INS-SCMH-203
	2-1/4	@	INS-SCMH-204-E	@	INS-SCMH-204
	2-7/16	<b>126499</b>	INS-SCH-207-E	<b>126494</b>	INS-SCH-207
	60mm	@	<i>INS-SCH-60M-E</i>	@	<i>INS-SCH-60M</i>

@Assembled to order

FEATURES/BENEFITS PAGE B3-2	NOMENCLATURE PAGE B3-4	SELECTION PAGE B3-5	RELATED PRODUCTS PAGE B3-133
--------------------------------	---------------------------	------------------------	---------------------------------

# SELECTION/DIMENSIONS



## Setscrew Ball Bearings

### SCH-E EXPANSION AND SCH NON-EXPANSION NORMAL DUTY BEARING INSERTS

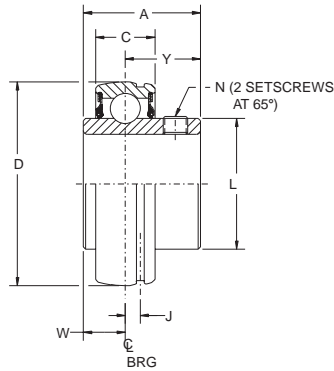
Series	Shaft Size	Weight - Expansion lbs kgs	Weight - Non-Expansion lbs kgs	A	B	C	D	E	J	L	N	W	Y
206	1	1.29	0.69	1-25/64	2.875	15/16	2.4409	15/16	0.190	1-37/64	5/16-24	31/64	29/32
	1-1/16	1.26	0.66										
	1-1/8	1.23	0.63										
	1-3/16	1.20	0.60										
	1-1/4	1.18	0.58										
	30mm	0.54	0.26	35.3	73.0	23.8	62.0	23.8	4.8	40.1	M8x1.25	12.3	23.0
207	1-1/4	1.50	1.02	1-17/32	3.272	1	2.8346	1	0.190	1-27/32	5/16-24	1/2	1-1/32
	1-5/16	1.49	0.97										
	1-3/8	1.48	0.92										
	1-7/16	1.47	0.86										
	35mm	0.67	0.44	38.9	83.1	25.4	72.0	25.4	5.1	46.8	M8x1.25	12.7	26.2
209	1-1/2	2.51	1.62	1-23/32	3.813	1-1/4	3.3465	1-1/4	0.248	2-7/32	5/16-24	19/32	1-1/8
	1-5/8	2.48	1.49										
	1-11/16	2.45	1.43										
	1-3/4	2.43	1.36										
	45mm	1.10	1.30	43.7	96.8	31.8	85.0	31.8	6.3	56.4	M8x1.25	15.1	28.6
210	1-11/16	2.56	1.82	1-3/4	4.000	1-13/32	3.5433	1-13/32	0.248	2-7/16	3/8-24	19/32	1-5/32
	1-3/4	2.53	1.74										
	1-15/16	2.50	1.48										
	2	2.48	1.39										
	50mm	1.13	0.67	44.5	101.6	35.7	90.0	35.7	6.3	61.9	M10x1.5	15.1	29.4
211	1-15/16	3.46	2.36	1-27/32	4.475	1-7/16	3.9370	1-7/16	0.267	2-23/32	3/8-24	5/8	1-7/32
	2	3.43	2.26										
	2-3/16	3.40	1.97										
	2-1/4	3.38	1.87										
	55mm	1.53	0.89	46.8	113.7	36.5	100.0	36.5	6.3	69.1	M10x1.5	15.9	31.0
212	2-3/16	4.56	2.97	1-63/64	5.035	1-5/8	4.3307	1-5/8	0.250	2-31/32	3/8-24	43/64	1-5/16
	2-1/4	4.53	2.85										
	2-7/16	4.50	2.49										
	60mm	2.04	1.13	50.4	127.9	41.3	110.0	41.3	6.4	75.4	M10x1.5	17.1	33.3

FEATURES/BENEFITS PAGE B3-2	NOMENCLATURE PAGE B3-4	SELECTION PAGE B3-5	RELATED PRODUCTS PAGE B3-133
--------------------------------	---------------------------	------------------------	---------------------------------

# SELECTION/DIMENSIONS



## Setscrew Ball Bearings SCM MEDIUM DUTY BEARING INSERTS



Series	Shaft Size	Standard Insert		Insert With Flingers		Corrosion Resistant Insert		High Temp	
		Part No.	Description	Part No.	Description	Part No.	Description	Part No.	Description
206	1 25mm	<b>123419</b>	INS-SCM-100	@	INS-SCM-100-FF	@	INS-SCM-100-CR*	@	INS-SCM-100-HT
		<b>125825</b>	INS-SCM-25M	<b>064878</b>	INS-SCM-25M-FF	@	INS-SCM-25M-CR*	@	INS-SCM-25M-HT
207	1-3/16 1-1/4 30mm	<b>123420</b>	INS-SCM-103	<b>052841</b>	INS-SCM-103-FF	@	INS-SCM-103-CR*	@	INS-SCM-103-HT
		<b>123339</b>	INS-SC-104	<b>123074</b>	INS-SC-104-FF	<b>045412</b>	INS-SC-104-CR	<b>053776</b>	INS-SC-104-HT
208	1-7/16 1-1/2# 35mm	<b>123353</b>	INS-SCM-107	<b>123445</b>	INS-SCM-107-FF	@	INS-SCM-107-CR*	<b>049945</b>	INS-SCM-107-HT
		<b>123342</b>	INS-SC-108	<b>123076</b>	INS-SC-108-FF	<b>045605</b>	INS-SC-108-CR	<b>064149</b>	INS-SC-108-HT
209	1-1/2 1-5/8 40mm	<b>123354</b>	INS-SCM-108	<b>068477</b>	INS-SCM-108-FF	@	INS-SCM-108-CR*	<b>068889</b>	INS-SCM-108-HT
		<b>045874</b>	INS-SC-110L	@	INS-SC-110L-FF	@	INS-SC-110L-CR*	@	INS-SC-110L-HT
210	1-11/16 1-3/4 45mm	<b>123355</b>	INS-SCM-111	<b>051787</b>	INS-SCM-111-FF	@	INS-SCM-111-CR*	@	INS-SCM-111-HT
		<b>123356</b>	INS-SCM-112	@	INS-SCM-112-FF	@	INS-SCM-112-CR*	@	INS-SCM-112-HT
211	1-15/16 2 50mm	<b>125832</b>	INS-SCM-45M	@	INS-SCM-45M-FF	@	INS-SCM-45M-CR*	@	INS-SCM-45M-HT
		<b>123357</b>	INS-SCM-115	<b>050493</b>	INS-SCM-115-FF	<b>058397</b>	INS-SCM-115-CR*	@	INS-SCM-115-HT
212	2-3/16 2-1/4 55mm	<b>123358</b>	INS-SCM-200	<b>068604</b>	INS-SCM-200-FF	<b>125175</b>	INS-SCM-200-CR*	<b>058157</b>	INS-SCM-200-HT
		<b>125834</b>	INS-SCM-50M	@	INS-SCM-50M-FF	@	INS-SCM-50M-CR*	@	INS-SCM-50M-HT
214	2-7/16 2-1/2 60mm	<b>123359</b>	INS-SCM-203	<b>050186</b>	INS-SCM-203-FF	@	INS-SCM-203-CR*	@	INS-SCM-203-HT
		<b>123360</b>	INS-SCM-204	<b>064636</b>	INS-SCM-204-FF	<b>053900</b>	INS-SCM-204-CR*	@	INS-SCM-204-HT
215	2-11/16 70mm	<b>125836</b>	INS-SCM-55M	@	INS-SCM-55M-FF	@	INS-SCM-55M-CR*	@	INS-SCM-55M-HT
		<b>123361</b>	INS-SCM-207	<b>123424</b>	INS-SCM-207-FF	@	INS-SCM-207-CR*	<b>056912</b>	INS-SCM-207-HT
216	2-15/16 3 75mm	<b>123362</b>	INS-SCM-208	@	INS-SCM-208-FF	<b>053831</b>	INS-SCM-208-CR*	@	INS-SCM-208-HT
		<b>125838</b>	INS-SCM-65M	@	INS-SCM-65M-FF	@	INS-SCM-65M-CR*	@	INS-SCM-65M-HT
218	3-7/16 3-1/2 85mm	<b>123363</b>	INS-SCM-211	@	INS-SCM-211-FF	@	INS-SCM-211-CR*	@	INS-SCM-211-HT
		<b>125840</b>	INS-SCM-70M	@	INS-SCM-70M-FF	@	INS-SCM-70M-CR*	@	INS-SCM-70M-HT
216	2-15/16 3 75mm	<b>123364</b>	INS-SCM-215	<b>123456</b>	INS-SCM-215-FF	<b>045764</b>	INS-SCM-215-CR*	<b>049918</b>	INS-SCM-215-HT
		<b>123365</b>	INS-SCM-300	<b>123457</b>	INS-SCM-300-FF	@	INS-SCM-300-CR*	@	INS-SCM-300-HT
218	3-7/16 3-1/2 85mm	<b>125842</b>	INS-SCM-75M	@	INS-SCM-75M-FF	@	INS-SCM-75M-CR*	@	INS-SCM-75M-HT
		<b>123366</b>	INS-SCM-307	<b>123423</b>	INS-SCM-307-FF	<b>045765</b>	INS-SCM-307-CR*	@	INS-SCM-307-HT
		<b>123367</b>	INS-SCM-308	@	INS-SCM-308-FF	@	INS-SCM-308-CR*	@	INS-SCM-308-HT
		<b>125844</b>	INS-SCM-85M	@	INS-SCM-85M-FF	@	INS-SCM-85M-CR*	<b>062570</b>	INS-SCM-85M-HT

@ Assembled to order

# SCM Piloted Flange Only

FEATURES/BENEFITS PAGE B3-2	NOMENCLATURE PAGE B3-4	SELECTION PAGE B3-5	RELATED PRODUCTS PAGE B3-133
--------------------------------	---------------------------	------------------------	---------------------------------

# SELECTION/DIMENSIONS



## Setscrew Ball Bearings SCM MEDIUM DUTY BEARING INSERTS

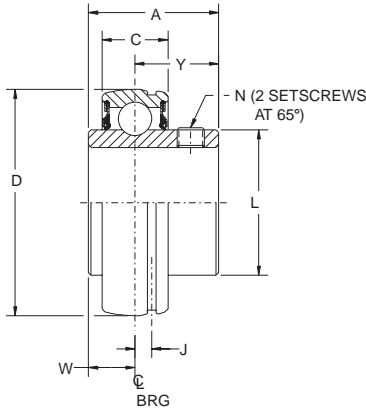
Series	Shaft Size	Weight lbs.	A	C	D	J	L	N	W	Y
206	1	0.71	1-25/64	.7067	2.4409	.190	1-37/64	5/16-24	31/64	29/32
	25mm	0.32	35.3	18.0	62.0	4.8	40.1	M8x1.25	23.0	23.0
207	1-3/16	1.07	1-17/32	.7480	2.8346	.202	1-27/32	5/16-24	1/2	1-1/32
	1-1/4	1.02								
	30mm	0.53	38.9	19.0	72.0	5.1	46.8	M8x1.25	12.7	26.2
208	1-7/16	1.32	1-11/16	.8661	3.1496	.224	2-3/64	5/16-24	19/32	1-3/32
	1-1/2	1.27								
	35mm	0.60	42.9	22.0	80.0	5.7	52.0	M8x1.25	15.1	27.8
209	1-1/2	1.62	1-23/32	.8661	3.3465	.248	2-7/32	5/16-24	19/32	1-1/8
	1-5/8	1.49								
	40mm	0.71	43.7	22.0	85.0	6.3	56.4	M8x1.25	15.1	28.6
210	1-11/16	1.82	1-3/4	.8661	3.5433	.248	2-7/16	3/8-24	19/32	1-5/32
	1-3/4	1.74								
	45mm	0.76	44.5	22.0	90.0	6.3	61.9	M10x1.5	15.1	29.4
211	1-15/16	2.36	1-27/32	.9449	3.9370	.267	2-23/32	3/8-24	5/8	1-7/32
	2	2.26								
	50mm	1.03	46.8	24.0	100.0	6.8	69.1	M10x1.5	15.9	31
212	2-3/16	2.97	1-63/64	1.0240	4.3307	.250	2-31/32	3/8-24	43/64	1-5/16
	2-1/4	2.85								
	55mm	1.27	50.4	26.0	110.0	6.4	75.4	M10x1.5	17.1	33.3
214	2-7/16	4.39	2-15/64	1.1020	4.9213	.265	3-5/16	3/8-245	51/64	1-7/16
	2-1/2	4.25								
	60mm	1.86	56.8	28.0	110.0	6.7	84.1	M10x1.	20.2	36.5
215	2-11/16	4.49	2-9/32	1.1420	5.1181	.265	3-5/8	3/8-24	13/16	1-15/32
	70mm	1.98	57.9	29.0	130.0	6.7	92.1	M10x1.5	20.6	37.3
216	2-15/16	5.54	2-11/32	1.1810	5.5118	.285	3-53/64	3/8-24	43/64	1-1/2
	3	5.52								
	75mm	2.51	59.5	30.0	140.0	7.2	97.2	M10x.15	17.1	38.1
218	3-7/16	7.35	2-31/64	1.3400	6.2992	.300	4-23/64	3/8-24	59/64	1-9/16
	3-1/2	7.33								
	85mm	3.33	63.1	34.0	160.0	7.6	110.7	M10x1.5	23.4	39.7

FEATURES/BENEFITS PAGE B3-2	NOMENCLATURE PAGE B3-4	SELECTION PAGE B3-5	RELATED PRODUCTS PAGE B3-133
--------------------------------	---------------------------	------------------------	---------------------------------

# SELECTION/DIMENSIONS



## Setscrew Ball Bearings VSC INTERMEDIATE DUTY BEARING INSERTS



Series	Shaft Size	Part No.	Description
203	1/2	<b>389923</b>	INS-VSC-008
	5/8	<b>389924</b>	INS-VSC-010
	17mm	<b>125636</b>	INS-VSC-17M
204	3/4	<b>389925</b>	INS-VSC-012
	20mm	<b>125637</b>	INS-VSC-20M
205	7/8	<b>389936</b>	INS-VSC-014
	15/16	<b>389937</b>	INS-VSC-015
	1	<b>389926</b>	INS-VSC-100
	25mm	<b>125638</b>	INS-VSC-25M
206	1-1/8	<b>389938</b>	INS-VSC-102
	1-3/16	<b>389927</b>	INS-VSC-103
	1-1/4	<b>389934</b>	INS-VSC-104S
	30mm	<b>123235</b>	INS-VSC-30M
207	1-1/4	<b>389928</b>	INS-VSC-104
	1-3/8	<b>389939</b>	INS-VSC-106
	1-7/16	<b>389929</b>	INS-VSC-107
	35mm	<b>125639</b>	INS-VSC-35M
208	1-1/2	<b>389930</b>	INS-VSC-108
	40mm	<b>125640</b>	INS-VSC-40M
209	1-11/16	<b>389940</b>	INS-VSC-111
	1-3/4	<b>389941</b>	INS-VSC-112
	45mm	<b>125641</b>	INS-VSC-45M
210	1-15/16	<b>389931</b>	INS-VSC-115
	2	<b>389932</b>	INS-VSC-200
	50mm	<b>125642</b>	INS-VSC-50M
211	2	<b>389935</b>	INS-VSC-200L
	2-3/16	<b>389933</b>	INS-VSC-203
	55mm	<b>125643</b>	INS-VSC-55M

FEATURES/BENEFITS PAGE B3-2	NOMENCLATURE PAGE B3-4	SELECTION PAGE B3-5	RELATED PRODUCTS PAGE B3-133
--------------------------------	---------------------------	------------------------	---------------------------------



# SELECTION/DIMENSIONS



## Setscrew Ball Bearings VSC INTERMEDIATE DUTY BEARING INSERTS

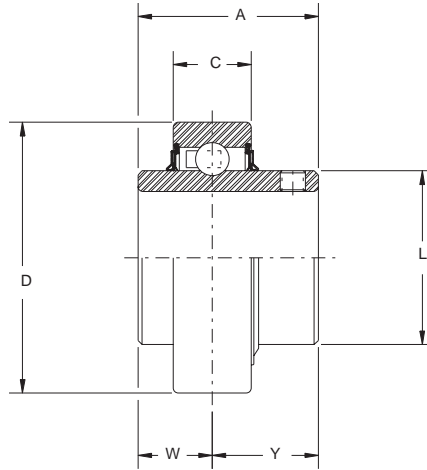
Series	Shaft Size	Weight lbs. kg.	A	C	D	J	L	N	W	Y
203	1/2	0.23	15/16	0.5110	1.5748	0.150	31/32	10-32	19/64	41/64
	5/8	0.21								
	17mm	0.10	23.8	13.0	40.0	3.8	24.6	M5 x 8	7.5	16.3
204	3/4	0.25	1-1/16	0.5906	1.8504	0.152	1-21/64	1/4-28	21/64	49/64
	20mm	0.11	27.0	15.0	47.0	3.9	28.6	M6 x 1	8.3	18.7
205	7/8	0.41	1-3/32	0.5906	2.0472	0.152	1-37/64	5/16-24	25/64	29/32
	15/16	0.38								
	1 25mm	0.25 0.17	27.8	15.0	52.0	3.9	33.7	M6 x 1	8.3	19.4
206	1-1/8	0.61	1-19/64	0.7067	2.4409	0.190	1-27/32	5/16-24	13/32	1-1/32
	1-3/16	0.58								
	1-1/4	0.56								
	30mm	0.25	32.9	18.0	62.0	4.8	40.1	M8 x 1.25	9.9	23.0
207	1-1/4	0.92	1-7/16	0.7480	2.8346	0.202	2-3/64	5/16-24	15/32	1-3/32
	1-3/8	0.88								
	1-7/16	0.75								
	35mm	0.38	36.5	19.0	72.0	5.1	46.8	M8 x 1.25	10.3	26.2
208	1-1/2	1.20	1-9/16	0.8661	3.1496	0.224	2-7/32	5/16-24	15/32	1-1/8
	40mm	0.52	39.7	22.0	80.0	5.7	52.0	M8 x 1.25	11.9	27.8
209	1-11/16	1.41	1-19/32	0.8661	3.3465	0.248	2-7/16	3/8-24	15/32	1-5/32
	1-3/4	1.34								
	45mm	0.61	40.5	22.0	85.0	6.3	56.4	M8 x 1.25	11.9	28.6
210	1-15/16	1.46	1-5/8	0.8661	3.5433	0.248	2-23/32	3/8-24	1/2	1-7/32
	2	1.37								
	50mm	0.63	41.3	22.0	90.0	6.3	61.9	M10 x 1.5	11.9	29.4
211	2	2.24	1-23/32	0.9449	3.9370	0.267	2-23/32	3/8-24	1/2	1-7/32
	2-3/16	1.95								
	55mm	0.97	43.7	24.0	100.0	6.8	69.1	M10 x 1.5	12.7	31.0

FEATURES/BENEFITS PAGE B3-2	NOMENCLATURE PAGE B3-4	SELECTION PAGE B3-5	RELATED PRODUCTS PAGE B3-133
--------------------------------	---------------------------	------------------------	---------------------------------

# SELECTION/DIMENSIONS



## Setscrew Ball Bearings CC BALL BEARING FAN AND BLOWER INSERTS



Series	Shaft Size	Part No.	Description
205	15/16	<b>134161</b>	INS-CC-015
	1	<b>134162</b>	INS-CC-100
206	1-1/8	<b>134164</b>	INS-CC-102
	1-3/16	<b>134165</b>	INS-CC-103
207	1-1/4	<b>134166</b>	INS-CC-104
	1-3/8	<b>134168</b>	INS-CC-106
	1-7/16	<b>134169</b>	INS-CC-107
209	1-11/16	<b>134170</b>	INS-CC-111
	1-3/4	<b>134171</b>	INS-CC-112
210	1-15/16	<b>134172</b>	INS-CC-115
211	2-3/16	<b>134174</b>	INS-CC-203

FEATURES/BENEFITS PAGE B3-2	NOMENCLATURE PAGE B3-4	SELECTION PAGE B3-5	RELATED PRODUCTS PAGE B3-133
--------------------------------	---------------------------	------------------------	---------------------------------

# SELECTION/DIMENSIONS



## Setscrew Ball Bearings CC BALL BEARING FAN AND BLOWER INSERTS

Bearing Quick Reference

E-Z KLEEN

GRIP TIGHT Adapter Ball Bearing

Set Screw Ball Bearing

Eccentric Collar Ball Bearing

Series	Shaft Size	Weight lbs.	A	Nominal C in/mm	Nominal D in/mm	L	W	Y
205	15/16 1	.54 .51	1-23/64	.5906 15	2.0472 52	1-5/16	9/16	51/64
206	1-1/8 1-3/16	.89 .83	1-9/16	.6299 16	2.4409 62	1-19/32	39/64	61/64
207	1-1/4 1-3/8 1-7/16	1.44 1.26 1.20	1-49/64	.6693 17	2.8346 72	1-27/32	21/32	1-7/64
209	1-11/16 1-3/4	1.87 1.82	2-1/32	.7480 19	3.3465 85	2-9/32	51/64	1-15/64
210	1-15/16	2.18	2-3/32	.7874	3.5433	2-15/32	53/64	1-17/64
211	2-3/16	2.88	2-1/4	.8268 21	3.9370 100	2-3/4	27/32	1-13/32

The insert is relubricated through the back seal area of the bearing.

FEATURES/BENEFITS PAGE B3-2	NOMENCLATURE PAGE B3-4	SELECTION PAGE B3-5	RELATED PRODUCTS PAGE B3-133
--------------------------------	---------------------------	------------------------	---------------------------------

# MODIFICATIONS/ ACCESSORIES



## Setscrew Ball Bearings

### LUBRICANTS

DODGE ball bearings are factory lubricated with a lithium complex base lubricant. For applications where extreme ambient temperatures or speeds are anticipated or environmental considerations require a different lubricant, DODGE has a wide variety of lubricants available. Special lubricant options usually require set-up charges and premiums.

### SEALS

The PROGUARD PLUS seal is a highly effective positive contact, land riding seal with flingers pressed on to each side of the inner ring offering added protection from wash down or extreme contamination. For high speeds or where seal drag would be an impediment, an all metallic labyrinth seal is available.

### HIGH TEMPERATURE

DODGE high temperature bearings are designed to operate in temperatures from 225°F (108°C) to 400°F (205°C). The bearings have adjusted internal clearances, metallic labyrinth seals, high temperature retainers, heat stabilized outer rings, and lubricants to meet the temperature needs of the application. To insure proper replacement, the bearing is identified by a six digit part number etched on a stainless steel nameplate riveted to the housing. The part number identifies the specific feature of the bearing. High temperature bearings are factory assembled to order and are available at extra cost. Consult Dodge Engineering for application assistance at (864)284-5700 or fax (864) 281-2317.

### AIR HANDLING

Industrial fans and blowers generally operate at high speeds with bearing requirements of long life and quiet operation. Dodge stocks SC, and SCM Air Handling Pillow Blocks and flange bearings that are specifically designed to meet the requirements of the air handling industry. These bearings are 100% noise tested, and have an air handling fit for long life and quiet operation. These bearings are recommended for fan and blower applications. Sizes and housing configurations not listed can be supplied on a made to order basis.

### HOUSING MATERIAL

For extra corrosion resistance, a variety of housing finishes are available. Special materials include stainless steel or polymer housing, as an option. These coatings conform to U.S.D.A. and F.D.A. requirements. SC and SCM inserts can be supplied with a corrosion resistant coating on the inner and outer rings, stainless steel balls and set-screws, and nickel plated flingers as well as F.D.A. lubricant.

### OTHER MODIFICATIONS

For applications requiring modifications not listed, we encourage you to contact our Customer Order Engineering Department at (864)284-5700 or fax (864)281-2317.

Bearing Quick Reference

E-Z KLEEN

GRIP TIGHT Adapter Ball Bearing

Set Screw Ball Bearing

Eccentric Collar Ball Bearing

FEATURES/BENEFITS PAGE B3-2	SELECTION PAGE B3-5	SELECTION/DIMENSIONS PAGE B3-10	RELATED PRODUCTS PAGE B3-133
--------------------------------	------------------------	------------------------------------	---------------------------------

# RELATED PRODUCTS



## Setscrew Ball Bearings HIGH TEMPERATURE SC & SCM BALL BEARINGS

Series	Shaft Size	Pillow Blocks		2 Bolt Flanges		4 Bolt Flanges	
		Part No.	Description	Part No.	Description	Part No.	Description
204	1/2	@	P2B-SC-008L-HT	<b>054843</b>	F2B-SC-008L-HT	@	F4B-SC-008L-HT
	5/8	@	P2B-SC-010L-HT	<b>057474</b>	F2B-SC-010L-HT	<b>067710</b>	F4B-SC-010L-HT
	3/4	<b>053670</b>	P2B-SC-012-HT	<b>052618</b>	F2B-SC-012-HT	<b>058263</b>	F4B-SC-012-HT
	20 mm	@	<i>P2B-SC-20M-HT</i>	@	<i>F2B-SC-20M-HT</i>	@	<i>F4B-SC-20M-HT</i>
205	7/8	@	P2B-SC-014-HT	<b>051906</b>	F2B-SC-014-HT	@	F4B-SC-014-HT
	15/16	@	P2B-SC-015-HT	<b>056864</b>	F2B-SC-015-HT	<b>054190</b>	F4B-SC-015-HT
	1	<b>051513</b>	P2B-SC-100-HT	<b>052294</b>	F2B-SC-100-HT	<b>052015</b>	F4B-SC-100-HT
	25 mm	@	<i>P2B-SC-25M-HT</i>	<b>059821</b>	<i>F2B-SC-25M-HT</i>	@	<i>F4B-SC-25M-HT</i>
206	1	<b>054782</b>	P2B-SCM-100-HT	@	F2B-SCM-100-HT	@	F4B-SCM-100-HT
	1-1/8	@	P2B-SC-102-HT	<b>062877</b>	F2B-SC-102-HT	<b>068290</b>	F4B-SC-102-HT
	1-3/16	<b>053169</b>	P2B-SC-103-HT	<b>052604</b>	F2B-SC-103-HT	<b>054419</b>	F4B-SC-103-HT
	1-1/4	<b>062829</b>	P2B-SC-104S-HT	@	F2B-SC-104S-HT	<b>049462</b>	F4B-SC-104S-HT
	30 mm	@	<i>P2B-SC-30M-HT</i>	@	<i>F2B-SC-30M-HT</i>	<b>054534</b>	<i>F4B-SC-30M-HT</i>
206 (SCU)	1-1/8	@	P2B-SCU-102-HT	-----	-----	-----	-----
	1-3/16	<b>059737</b>	P2B-SCU-103-HT	-----	-----	-----	-----
	1-1/4	<b>057847</b>	P2B-SCU-104S-HT	-----	-----	-----	-----
	30 mm	@	<i>P2B-SCU-30M-HT</i>	-----	-----	-----	-----
207	1-3/16	<b>054314</b>	P2B-SCM-103-HT	@	F2B-SCM-103-HT	@	F4B-SCM-103-HT
	30mm	@	<i>P2B-SCM-30M-HT</i>	<b>059673</b>	<i>F2B-SCM-30M-HT</i>	@	<i>F4B-SCM-30M-HT</i>
	1-1/4	<b>058262</b>	P2B-SC-104-HT	<b>052311</b>	F2B-SC-104-HT	<b>051826</b>	F4B-SC-104-HT
	1-3/8	@	P2B-SC-106-HT	@	F2B-SC-106-HT	<b>068185</b>	F4B-SC-106-HT
	1-7/16	<b>050189</b>	P2B-SC-107-HT	<b>054300</b>	F2B-SC-107-HT	<b>052540</b>	F4B-SC-107-HT
	1-7/16	<b>052531</b>	P2B-SCB-107-HT	-----	-----	-----	-----
35 mm	@	<i>P2B-SC-35M-HT</i>	@	<i>F2B-SC-35M-HT</i>	<b>058690</b>	<i>F4B-SC-35M-HT</i>	
208	1-7/16	<b>054276</b>	P2B-SCM-107-HT	@	F2B-SCM-107-HT	<b>054342</b>	F4B-SCM-107-HT
	1-1/2	<b>057338</b>	P2B-SC-108-HT	<b>054203</b>	F2B-SC-108-HT	<b>051827</b>	F4B-SC-108-HT
	1-5/8	@	P2B-SC-110-HT	@	F2B-SC-110-HT	<b>058194</b>	F4B-SC-110-HT
	40 mm	<b>062572</b>	<i>P2B-SC-40M-HT</i>	@	<i>F2B-SC-40M-HT</i>	@	<i>F4B-SC-40M-HT</i>

@ Assembled to order.

Bearing Quick Reference

E-Z KLEEN

GRIP TIGHT Adapter Ball Bearing

Set Screw Ball Bearing

Eccentric Collar Ball Bearing

FEATURES/BENEFITS PAGE B3-2	NOMENCLATURE PAGE B3-4	SELECTION/DIMENSION PAGE B3-10	MODIFICATION/ACCESSORIES PAGE B3-132
--------------------------------	---------------------------	-----------------------------------	---

# RELATED PRODUCTS




## Setscrew Ball Bearings HIGH TEMPERATURE SC & SCM BALL BEARINGS

Series	Shaft Size	Pillow Blocks		2 Bolt Flanges		4 Bolt Flanges	
		Part No.	Description	Part No.	Description	Part No.	Description
209	1-1/2	<b>058380</b>	P2B-SCM-108-HT	<b>054203</b>	F2B-SCM-108-HT	<b>064557</b>	F4B-SCM-108-HT
	1-5/8	@	P2B-SC-110L-HT	@	F2B-SC-110L-HT	@	F4B-SC-110L-HT
	1-11/16	<b>053563</b>	P2B-SC-111-HT	@	F2B-SC-111-HT	<b>057212</b>	F4B-SC-111-HT
	1-11/16	<b>058619</b>	P2B-SCB-111-HT	-----	-----	-----	-----
	1-3/4	@	P2B-SC-112-HT	<b>062157</b>	F2B-SC-112-HT	<b>051825</b>	F4B-SC-112-HT
	45 mm	@	<i>P2B-SC-45M-HT</i>	@	<i>F2B-SC-45M-HT</i>	@	<i>F4B-SC-45M-HT</i>
210	1-11/16	<b>054315</b>	P2B-SCM-111-HT	@	F2B-SCM-111-HT	<b>054593</b>	F4B-SCM-111-HT
	1-3/4	@	P2B-SCM-112-HT	<b>057114</b>	F2B-SCM-112-HT	<b>057368</b>	F4B-SCM-112-HT
	1-15/16	<b>052047</b>	P2B-SC-115-HT	@	F2B-SC-115-HT	<b>052048</b>	F4B-SC-115-HT
	1-15/16	<b>052532</b>	P2B-SCB-115-HT	-----	-----	-----	-----
	2	<b>058183</b>	P2B-SC-200-HT	<b>062309</b>	F2B-SC-200-HT	<b>057132</b>	F4B-SC-200-HT
	50 mm	@	<i>P2B-SC-50M-HT</i>	<b>062779</b>	<i>F2B-SC-50M-HT</i>	<b>068066</b>	<i>F4B-SC-50M-HT</i>
211	1-15/16	<b>052276</b>	P2B-SCM-115-HT	@	F2B-SCM-115-HT	<b>057363</b>	F4B-SCM-115-HT
	2	<b>054934</b>	P2B-SCM-200-HT	@	F2B-SCM-200-HT	<b>054065</b>	F4B-SCM-200-HT
	2-3/16	<b>053955</b>	P2B-SC-203-HT	<b>059954</b>	F2B-SC-203-HT	<b>058852</b>	F4B-SC-203-HT
	2-1/4	@	P2B-SC-204-HT	@	F2B-SC-204-HT	<b>054918</b>	F4B-SC-204-HT
	55mm	@	<i>P2B-SC-55M-HT</i>	@	<i>F2B-SC-55M-HT</i>	<b>049894</b>	<i>F4B-SC-55M-HT</i>
212	2-3/16	<b>054412</b>	P2B-SCM-203-HT	@	F2B-SCM-203-HT	@	F4B-SCM-203-HT
	2-1/4	@	P2B-SCM-204-HT	@	F2B-SCM-204-HT	<b>067830</b>	F4B-SCM-204-HT
	2-7/16	<b>059614</b>	P2B-SC-207-HT	@	F2B-SC-207-HT	<b>057487</b>	F4B-SC-207-HT
	60 mm	<b>057800</b>	<i>P2B-SC-60M-HT</i>	<b>057800</b>	<i>F2B-SC-60M-HT</i>	<b>057801</b>	<i>F4B-SC-60M-HT</i>
214	2-7/16	<b>054316</b>	P2B-SCM-207-HT	-----	-----	<b>054917</b>	F4B-SCM-207-HT
	2-1/2	@	P2B-SCM-208-HT	-----	-----	<b>056630</b>	F4B-SCM-208-HT
	2-11/16	<b>067774</b>	P2B-SC-211-HT	-----	-----	@	F4B-SC-211-HT
	70 mm	@	<i>P2B-SC-70M-HT</i>	-----	-----	@	<i>F4B-SC-70M-HT</i>
215	2-15/16	<b>056588</b>	P2B-SC-215-HT	-----	-----	<b>052550</b>	F4B-SC-215-HT
	75 mm	@	<i>P2B-SC-75M-HT</i>	-----	-----	@	<i>F4B-SC-75M-HT</i>
216	2-15/16	<b>054556</b>	P2B-SCM-215-HT	-----	-----	<b>052478</b>	F4B-SCM-215-HT
	3	@	P2B-SCM-300-HT	-----	-----	<b>059696</b>	F4B-SCM-300-HT
	75mm	@	<i>P2B-SCM-75M-HT</i>	-----	-----	<b>062182</b>	<i>F4B-SCM-75M-HT</i>
218	3-7/16	<b>049991</b>	P2B-SCM-307-HT	-----	-----	<b>057708</b>	F4B-SCM-307-HT
	3-1/2	@	P2B-SCM-308-HT	-----	-----	<b>058633</b>	F4B-SCM-308-HT

@ Assembled to order.

FEATURES/BENEFITS  
PAGE B3-2

NOMENCLATURE  
PAGE B3-4

SELECTION/DIMENSION  
PAGE B3-10

MODIFICATION/ACCESSORIES  
PAGE B3-132

# RELATED PRODUCTS



## Setscrew Ball Bearings HIGH TEMPERATURE SC & SCM BALL BEARINGS

Series	Shaft Size	Tapped Base Pillow Blocks		Flanged Bracket	
		Part Number	Description	Part Number	Description
204	3/4	<b>059636</b>	TB-SC-012-HT	@	FB-SC-012-HT
205	1	<b>057906</b>	TB-SC-100-HT	@	FB-SC-100-HT
207	1-1/4	@	TB-SC-104-HT	<b>056578</b>	FB-SC-104-HT
211	2-3/16	<b>050555</b>	TB-SC-203-HT		

Series	Shaft Size	Non Expansion Pillow Blocks		Expansion Pillow Blocks	
		Part Number	Description	Part Number	Description
206	1-3/16	-----	-----	<b>054063</b>	P2B-SCH-103-EHT
207	1-7/16	<b>053894</b>	P2B-SCH-107-HT	<b>053895</b>	P2B-SCH-107-EHT

Series	Shaft Size	Piloted Flanges	
		Part Number	Description
206	1	<b>058652</b>	FC-SCM-100-HT
208	1-1/2	<b>053871</b>	FC-SC-108-HT
	1-1/2	<b>057683</b>	FC-SCM-108-HT
211	1-15/16	<b>058915</b>	FC-SCM-115-HT
	2-1/4	<b>058233</b>	FC-SC-204-HT
212	2-7/16	<b>058738</b>	FC-SC-207-HT
	55 mm	<b>054837</b>	FC-SCM-55M-HT
216	2-15/16	<b>054831</b>	FC-SCM-215-HT
	3	<b>056911</b>	FC-SCM-300-HT
218	3-7/16	<b>068239</b>	FC-SCM-307-HT

Series	Shaft Size	Wide Slot Take-up		Narrow Slot Take-up	
		Part Number	Description	Part Number	Description
210	1-15/16	<b>057265</b>	WSTU-SC-115-HT	<b>054580</b>	NSTU-SC-115-HT
211	55 mm	<b>049893</b>	WSTU-SC-55M-HT	@	NSTU-SC-55M-HT
	1-15/16	<b>049891</b>	WSTU-SCM-115-HT	@	NSTU-SCM-115-HT
212	2-7/16	<b>057839</b>	WSTU-SC-207-HT	@	NSTU-SC-207-HT
214	2-7/16	<b>049811</b>	WSTU-SCM-207-HT	@	-----
215	2-15/16	<b>059844</b>	WSTU-SC-215-HT	@	-----

@ Assembled to order.

Bearing Quick Reference

E-Z KLEEN

GRIP TIGHT Adapter Ball Bearing

Set Screw Ball Bearing

Eccentric Collar Ball Bearing

FEATURES/BENEFITS PAGE B3-2	NOMENCLATURE PAGE B3-4	SELECTION/DIMENSION PAGE B3-10	MODIFICATION/ACCESSORIES PAGE B3-132
--------------------------------	---------------------------	-----------------------------------	---

# RELATED PRODUCTS

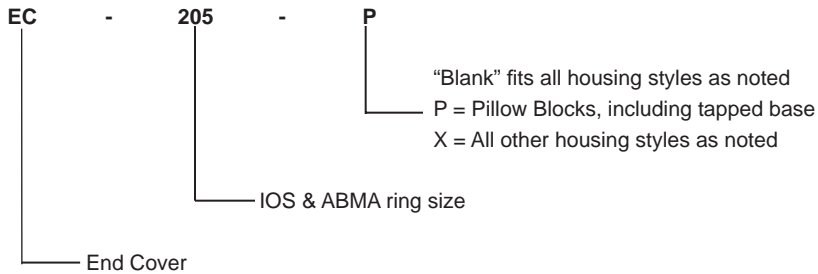


## DODGE Ball Bearing End Covers\*



- Fits all styles of DODGE cast iron housed ball bearings.: Pillow Blocks, 2 and 4 Bolt Flanges, and Take-Up bearings
- Injected molded, impact resistant, OSHA safety yellow end covers meet requirements for exposed rotating shaft
- Stainless steel "C" washer for gripping power
- No modification or machining of existing housings required
- Concentric knockout grooves on inside of end cover for thru-shaft
- DODGE six digit part number and description embossed inside
- Operating temperature to 250° F
- For non relubricable/sealed for life applications (-NL), part number **430020** hex head plug is available

### Nomenclature



FEATURES/BENEFITS PAGE B3-2	NOMENCLATURE PAGE B3-4	SELECTION/DIMENSION PAGE B3-10	MODIFICATION/ACCESSORIES PAGE B3-132
--------------------------------	---------------------------	-----------------------------------	---



# RELATED PRODUCTS



## DODGE Ball Bearing End Covers\*

Series	Pillow Blocks Std, U, B	Tapped Base PB	2 Bolt Flange	Flanged Bracket	4 Bolt Flange	Piloted Flange (FC)	Narrow Slot Take-Up	Wide Slot Take-Up
203	X		X		X			
204	X	X	X	X	X		X	X
205	X	X	X	X	X		X	X
206	X	X	X	X	X	@	X	X
207	X	X	X	X	X	@	X	X
208	X	X	X		X	@	X	X
209	X	X	X		X	@	X	X
210	X	X	X	X	X	@	X	X
211	X	X	X		X	NA	X	X
212	X		X		X	NA	X	X
214	X				X	NA		X
215	X				X			X
216	X				X	X		X
218	X				X	X		

\* = Will not fit LF, LFT, SCHB, HNCR & CYL  
 @ = Some modification required

NA = Will not fit  
 X = Will fit

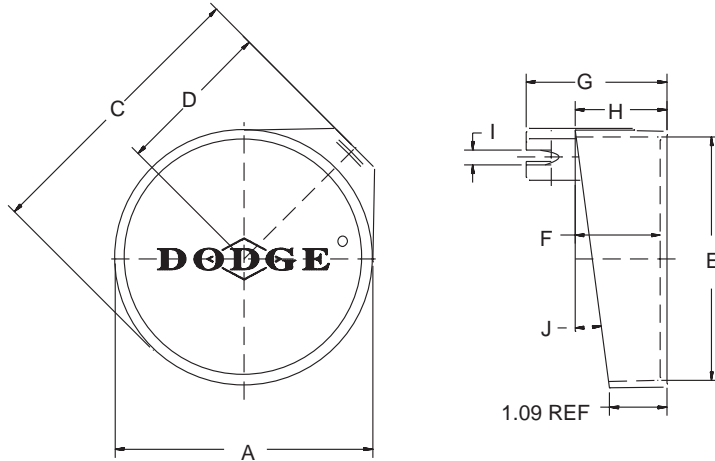
FEATURES/BENEFITS PAGE B3-2	NOMENCLATURE PAGE B3-4	SELECTION/DIMENSION PAGE B3-10	MODIFICATION/ACCESSORIES PAGE B3-132
--------------------------------	---------------------------	-----------------------------------	---

# RELATED PRODUCTS



## DODGE Ball Bearing End Covers\*

### BALL BEARING END COVERS FOR PILLOW BLOCKS & TAPPED BASE UNITS



Series	Shaft Size*		Part Number	Description
	SC, VSC, DL, SXR, SXV	SCM, DLM, SCH, SXRH, DLH		
203	1/2 & 5/8 17mm	-----	128200	EC-203-P
204	1/2 - 3/4 20mm	-----	128202	EC-204-P
205	7/8 - 1 25mm	-----	128204	EC-205-P
206	1-1/16 - 1-1/4 30mm	1 25mm	128206	EC-206-P
207	1-1/4 - 1-7/16 35mm	1-3/16 & 1-1/4 30mm	128208	EC-207-P
208	1-1/2 - 1-5/8 40mm	1-7/16 35mm	128210	EC-208-P
209	1-5/8 - 1-3/4 45mm	1-1/2 40mm	128212	EC-209-P
210	1-15/16 & 2 50mm	1-11/16 & 1-3/4 45mm	128214	EC-210-P
211	2 - 2-1/4 55mm	1-15/16 & 2 50mm	128216	EC-211-P
212	2-1/4 - 2-7/16 60mm	2-3/16 - 2-1/4 55mm	128218	EC-212-P

\*NOTE: SCH, SXRH, and DLH use the next larger end cover. E.g. A P2B-DLH-103 would use a EC-207-P.

For no re-lube (\_NL) applications, part number 430030, hex head plus is available

FEATURES/BENEFITS PAGE B3-2	NOMENCLATURE PAGE B3-4	SELECTION/DIMENSION PAGE B3-10	MODIFICATION/ACCESSORIES PAGE B3-132
--------------------------------	---------------------------	-----------------------------------	---

# RELATED PRODUCTS



## DODGE Ball Bearing End Covers\*

### BALL BEARING END COVERS FOR PILLOW BLOCKS & TAPPED BASE UNITS

Series	Shaft Size*		A	B	C	D	E	F	G	H	I	J
	SC, VSC, DL, SXR, SXV	SCM, DLM, SCH, SXRH, DLH										
203	1/2 & 5/8 17mm	-----	1-25/32 45.2	1-43/64 42.4	2-7/64 53.6	1-3/32 27.7	1-41/64 41.7	49/64 19.56	1-29/64 37.1	29/32 22.9	1/4 6.4	9°
204	1/2 - 3/4 20mm	-----	2-3/64 52.0	1-27/32 46.7	2-37/64 65.3	1-19/64 33.0	1-55/64 47.2	1-1/64 25.65	1-49/64 45.0	1-5/32 29.5	5/16 7.9	11°
205	7/8 - 1 25mm	-----	2-3/8 60.2	2-3/16 55.6	2-13/16 71.4	1-3/16 35.0	2-5/32 54.9	1-1/16 26.92	1-7/8 47.8	1-7/32 31.0	11/32 8.6	9°
206	1-1/16 - 1-1/4 30mm	1 25mm	2-47/64 69.3	2-17/32 64.3	3-21/64 84.3	1-45/64 43.2	2-1/2 63.5	1-15/64 31.5	2-5/32 54.9	1-13/32 35.6	23/64 8.9	9°
207	1-1/4 - 1-7/16 35mm	1-3/16 & 1-1/4 30mm	3-1/4 82.6	3 76.20	3-51/64 96.3	1-29/32 48.5	3-1/64 76.7	1-5/16 33.27	2-11/32 59.4	1-31/64 37.6	3/8 9.4	7° 3'
208	1-1/2 - 1-5/8 40mm	1-7/16 35mm	3-3/8 85.9	3-1/8 79.5	4 101.60	2-1/16 52.3	3-7/64 79.0	1-19/64 33.02	2-13/32 61.0	1-1/2 38.1	27/64 10.7	6°
209	1-5/8 - 1-3/4 45mm	1-1/2 40mm	3-11/16 93.7	3-15/32 88.1	4-17/64 108.2	2-11/64 55.1	3-13/32 86.6	1-21/64 33.78	2-21/64 59.2	1-17/32 38.9	25/64 9.9	7°
210	1-15/16 & 2 50mm	1-11/16 & 1-3/4 45mm	3-7/8 98.6	3-37/64 90.9	4-1/2 114.3	2-19/32 59.2	3-37/64 90.9	1-23/64 34.29	2-1/2 63.5	1-9/16 39.6	31/64 12.5	9°
211	2 - 2-1/4 55mm	1-15/16 & 2 50mm	4-27/64 12.3	4 101.60	5-1/16 128.5	2-19/32 66.0	4-1/8 104.7	1-13/32 35.81	2-37/64 65.3	1-5/8 41.2	29/64 11.4	7°
212	2-1/4 - 2-7/16 60mm	2-3/16 - 2-1/4 55mm	4-59/64 125.0	4-15/32 113.3	5-29/64 138.7	2-3/4 69.9	4-39/64 117.1	1-17/32 38.86	2-11/16 68.3	1-3/4 44.5	13/32 10.4	8°

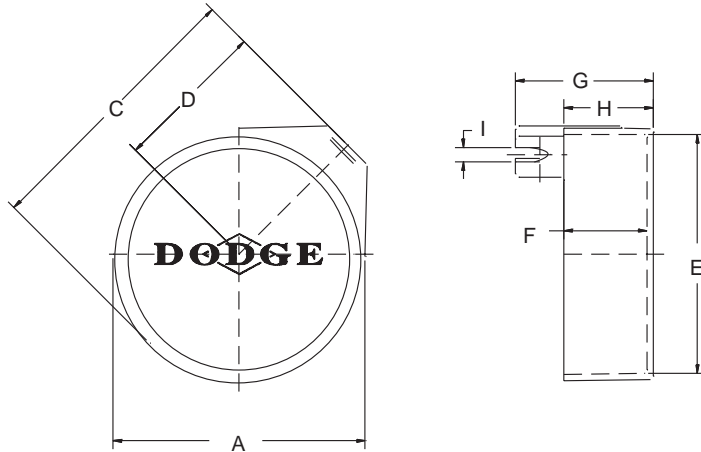
FEATURES/BENEFITS PAGE B3-2	NOMENCLATURE PAGE B3-4	SELECTION/DIMENSION PAGE B3-10	MODIFICATION/ACCESSORIES PAGE B3-132
--------------------------------	---------------------------	-----------------------------------	---

# RELATED PRODUCTS



## DODGE Ball Bearing End Covers\*

**BALL BEARING END COVERS FOR MOUNTED UNITS OTHER THAN PILLOW BLOCKS & TAPPED BASE UNITS**



Series	Shaft Size*		Part Number	Description
	SC, VSC, DL, SXR, SXV	SCM & DLM		
203	1/2 & 5/8 17mm	-----	128201	EC-203-X
204	1/2 - 3/4 20mm	-----	128203	EC-204-X
205	7/8 - 1 25mm	-----	128205	EC-205-X
206	1-1/16 - 1-1/4 30mm	1 25mm	128207	EC-206-X
207	1-1/4 - 1-7/16 35mm	1-3/16 & 1-1/4 30mm	128209	EC-207-X
208	1-1/2 - 1-5/8 40mm	1-7/1 35mm	128211	EC-208-X
209	1-5/8 - 1-3/4 45mm	1-1/2 40mm	128213	EC-209-X
210	1-15/16 & 2 50mm	1-11/16 & 1-3/4 45mm	128215	EC-210-X
211	2 - 2-1/4 55mm	1-15/16 & 2 50mm	128217	EC-211-X
212	2-1/4 - 2-7/16 60mm	2-3/16 - 2-1/4 55mm	128219	EC-212-X

**\*NOTE:** Above end covers will not fit the LF and LFT bearings  
For no re-lube (\_NL) applications, part number 430030, hex head plus is available

FEATURES/BENEFITS PAGE B3-2	NOMENCLATURE PAGE B3-4	SELECTION/DIMENSION PAGE B3-10	MODIFICATION/ACCESSORIES PAGE B3-132
--------------------------------	---------------------------	-----------------------------------	---

# RELATED PRODUCTS



## DODGE Ball Bearing End Covers\*

BALL BEARING END COVERS FOR MOUNTED UNITS OTHER THAN PILLOW BLOCKS & TAPPED BASE UNITS

Series	Shaft Size*		Weight lbs gm	A	B	C	D	E	F	G	H	I
	SC, VSC, DL, SXR, SXV	SCM & DLM										
203	1/2 & 5/8	-----	0.02	1-51/64	1-43/64	2-13/64	1-3/16	1-41/64	51/64	1-29/64	15/16	1/4
	17mm	-----	1	45.5	42.4	56.1	30.2	41.7	20.3	37.1	23.9	6.4
204	1/2 - 3/4	-----	0.03	2-7/32	2	2-47/64	1-25/64	2-1/32	1-1/64	1-13/16	1-5/32	5/16
	20mm	-----	15	56.1	50.8	69.6	35.3	51.6	25.7	45.7	29.5	7.9
205	7/8 - 1	-----	0.05	2-3/8	2-3/16	3-3/64	1-19/32	2-5/32	1-1/64	1-53/64	1-11/64	11/32
	25mm	-----	24	60.2	55.6	77.2	40.6	54.9	25.7	46.5	29.7	8.7
206	1-1/16 - 1-1/4	1	0.08	2-47/64	2-17/32	3-21/64	1-45/64	2-1/2	1-3/16	2-1/16	1-23/64	23/64
	30mm	25mm	36	69.3	64.3	84.3	43.2	63.5	30.2	52.3	34.5	8.9
207	1-1/4 - 1-7/16	1-3/16 & 1-1/4	0.12	3-1/4	3	3-27/32	1-31/32	3-1/64	1-11/32	2-11/32	1-17/32	3/8
	35mm	30mm	53	82.6	76.2	97.5	50.0	76.7	34.5	59.4	38.9	9.4
208	1-1/2 - 1-5/8	1-7/16	0.14	3-3/8	3-1/8	4	2-1/16	3-7/64	1-19/64	2-13/32	1-1/2	27/64
	40mm	35mm	64	85.9	79.5	101.60	52.3	79.0	33.0	61.0	38.1	10.7
209	1-5/8 - 1-3/4	1-1/2	0.16	3-11/16	3-15/32	4-17/64	2-11/64	3-13/32	1-23/64	2-21/64	1-17/32	25/64
	45mm	40mm	73	93.7	88.1	108.2	55.1	86.6	34.3	59.2	38.9	9.9
210	1-15/16 & 2	1-11/16 & 1-3/4	0.18	3-7/8	3-37/64	4-1/2	2-21/64	3-9/16	1-23/64	2-33/64	1-9/16	31/64
	50mm	45mm	82	98.6	90.9	114.3	59.2	90.9	34.3	63.8	39.6	12.4
211	2 - 2-1/4	1-15/16 & 2	0.24	4-27/64	4	5-1/16	2-19/32	4-1/8	1-29/64	2-37/64	1-21/32	29/64
	55mm	50mm	108	112.3	101.6	128.5	66.0	104.7	36.8	65.3	42.2	11.4
212	2-1/4 - 2-7/16	2-3/16 - 2-1/4	0.27	4-59/64	4-15/32	5-15/32	2-3/4	4-39/64	1-35/64	2-11/16	1-3/4	13/32
	60mm	55mm	124	125	113.3	138.7	69.9	117.1	39.1	68.3	44.5	10.4

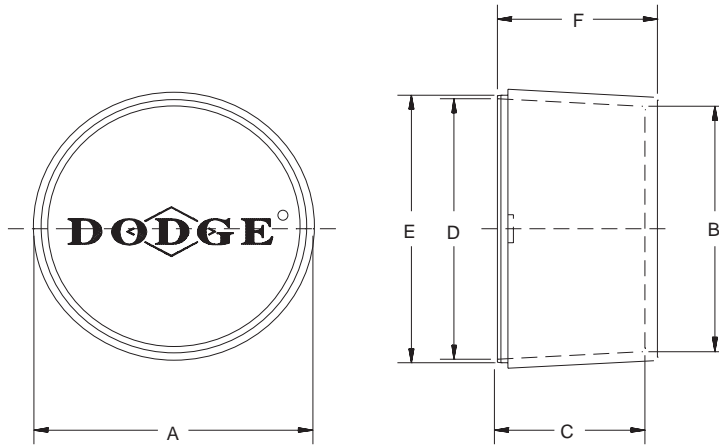
FEATURES/BENEFITS PAGE B3-2	NOMENCLATURE PAGE B3-4	SELECTION/DIMENSION PAGE B3-10	MODIFICATION/ACCESSORIES PAGE B3-132
--------------------------------	---------------------------	-----------------------------------	---

# RELATED PRODUCTS



## DODGE Ball Bearing End Covers\*

### BALL BEARING END COVERS FOR MOUNTED UNITS 214 SERIES & LARGER



Series	Shaft Size		Part Number	Description
	SC, VSC, DL, SXR, SXV, SCH-E, SXRH-E, DLH-E	SC, VSC, DL, SCM & DLM		
214	2-1/2 & 2-11/16 70mm	2-7/16 & 2-1/2 65mm	480037	EC-080
215	2-15/16 75mm	2-11/16 70mm	480455	EC-090
216	-----	2-15/16 & 3 75mm	480456	EC-100
218	-----	3-7/16 & 3-1/2 85mm	480457	EC-110

FEATURES/BENEFITS PAGE B3-2	NOMENCLATURE PAGE B3-4	SELECTION/DIMENSION PAGE B3-10	MODIFICATION/ACCESSORIES PAGE B3-132
--------------------------------	---------------------------	-----------------------------------	---

# RELATED PRODUCTS



## DODGE Ball Bearing End Covers\*

### BALL BEARING END COVERS FOR MOUNTED UNITS 214 SERIES & LARGER

Series	Shaft Size		Weight lbs <i>gm</i>	A	B	C	D	E	F
	SC, VSC, DL, SXR, SXV, SCHSXRH, DLH	SC, VSC, DL, SCM & DLM							
214	2-1/2 & 2-11/16 <i>70mm</i>	2-7/16 & 2-1/2 <i>65mm</i>	0.33 <i>151</i>	4-15/16 <i>125.5</i>	4-7/16 <i>112.8</i>	2-39/64 <i>66.3</i>	4-39/64 <i>117.1</i>		2-53/64 <i>71.9</i>
215	2-15/16 <i>75mm</i>	2-11/16 <i>70mm</i>	0.36 <i>164</i>	5-3/32 <i>129.3</i>	4-49/64 <i>120.9</i>	2-29/64 <i>62.5</i>	4-3/4 <i>120.7</i>		2-7/8 <i>72.9</i>
216	----- -----	2-15/16 & 3 <i>75mm</i>	0.44 <i>201.00</i>	5-9/16 <i>141.2</i>	5-15/64 <i>132.8</i>	2-47/64 <i>69.6</i>	5-13/64 <i>132.1</i>	<i>135.9-</i>	2-63/64 <i>75.7</i>
218	----- -----	3-7/16 & 3-1/2 <i>85mm</i>	0.57 <i>257</i>	6-5/16 <i>160.3</i>	5-29/32 <i>149.9</i>	2-27/32 <i>72.1</i>	5-15/16 <i>150.6</i>		3-3/32 <i>78.5</i>

FEATURES/BENEFITS PAGE B3-2	NOMENCLATURE PAGE B3-4	SELECTION/DIMENSION PAGE B3-10	MODIFICATION/ACCESSORIES PAGE B3-132
--------------------------------	---------------------------	-----------------------------------	---

Bearing Quick Reference

# NOTES



E-Z KLEEN

GRIP TIGHT Adapter Ball Bearing

Set Screw Ball Bearing

Eccentric Collar Ball Bearing

FEATURES/BENEFITS PAGE B3-2	NOMENCLATURE PAGE B3-4	SELECTION/DIMENSION PAGE B3-10	MODIFICATION/ACCESSORIES PAGE B3-132
--------------------------------	---------------------------	-----------------------------------	---



# CONTENTS



## Eccentric Collar Ball Bearings

Features / Benefits .....	B4-2
How to Order / Nomenclature .....	B4-4
Selection .....	B4-5
Selection/Dimensions	
Pillow Blocks	
SXR Normal Duty .....	B4-10
SXV Intermediate Duty .....	B4-20
SLX Light Duty .....	B4-26
Flanges	
2-Bolt Flange .....	B4-32
3-Bolt Flange .....	B4-44
4-Bolt Flange .....	B4-48
Piloted Flange .....	B4-56
Take-Ups	
SXR Normal Duty .....	B4-60
SXV Intermediate Duty .....	B4-62
SXR Normal Duty Hanger, Screw Conveyor Hanger & Cylindrical Units .....	B4-70
Inserts	
SXR Normal Duty .....	B4-60
SXV Intermediate Duty .....	B4-82
Modification/Accessories .....	B4-84
Related Products	
End Closures .....	B4-85
Part Number Index .....	
Key Word Index .....	

Bearing Quick Reference

E-Z KLEEN

GRIP TIGHT Adapter Ball Bearing

Set Screw Ball Bearing

Eccentric Collar Ball Bearing

## FEATURES/BENEFITS



### Eccentric Collar Ball Bearings

For more than 70 years, DODGE® has been talking to mounted bearing users and listening to their needs. This experience led to design of the optimum mounted ball bearings.

The result is the DODGE SXR/SXV/SLX line is the most current eccentric collar mounted ball bearing design on the market and provides the user unmatched quality and true total value.

The DODGE eccentric ball bearing is manufactured at the state-of-the-art DODGE bearing plant in Rogersville, Tennessee - an ISO 9002 certified plant.

- Precision-hardened inner ring
- Light Duty Narrow Inner Ring (SLX)
- Intermediate Duty Narrow Inner Ring (SXV)
- Normal-Duty Wide Inner Ring (SXR)
- Eccentric collar locking system
- DODGE PROGUARD™ land-riding, positive contact seal
- Stronger, flexible ball cage
- Simplified anti-rotation device
- Wide variety of housing configurations
- Available in 1/2" to 2-15/16", 17 to 75mm bore sizes
- SXR Seal options:
  - flingers
  - low torque labyrinth
- Other options:
  - FDA/USDA lubricant and other special lubricants

#### DODGE End Covers

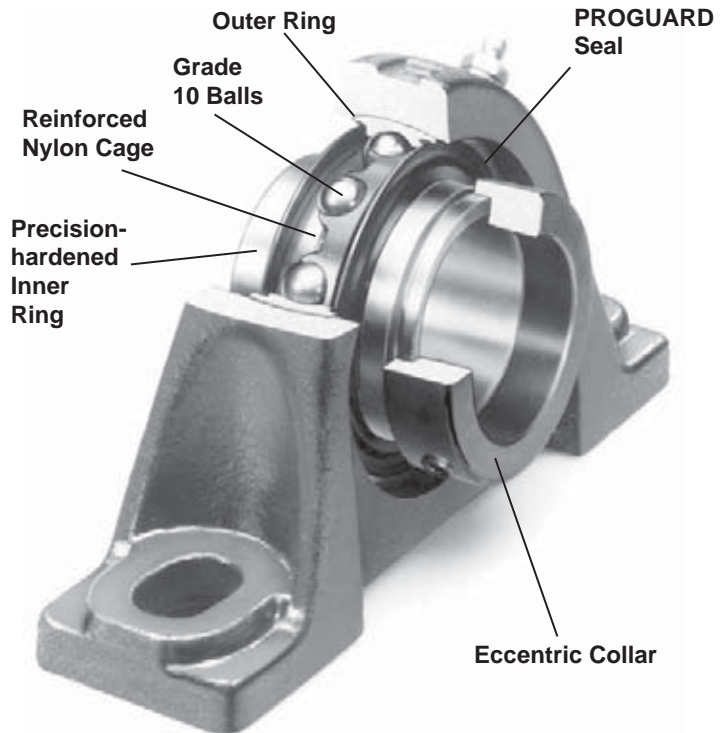
Available from stock to fit SXR and SXV mounted units, these end covers are designed for added protection from contaminants as well as for OSHA requirements. Covers are OSHA yellow.



#### DODGE Self-Locking Collar



The inner ring of the bearing is locked to the shaft by a quarter-turn of the eccentric collar in the direction of shaft rotation. The collar is secured in place with a single setscrew.



# FEATURES/BENEFITS



## Eccentric Collar Ball Bearings

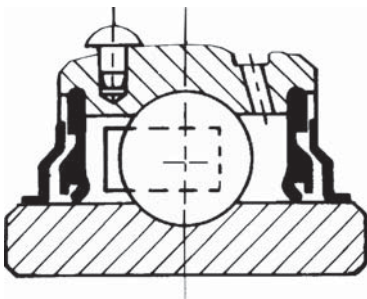
### Flingers

#### DODGE PROGUARD™ Seal



DODGE SXR/SXV/SLX mounted ball bearings use the PROGUARD land-riding contact seal with steel shield protection. This highly effective, positive seal design assures uniform lip contact with the inner ring to seal out contaminants and seal in lubricants

#### DODGE PROGUARD PLUS® SEAL



On SXR bearings, optional flingers can be added to form a tight labyrinth with the PROGUARD Seal and provide additional seal protection against contaminants and debris.

### Stronger Flexible Cage

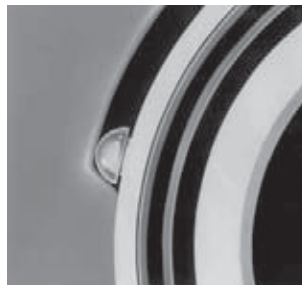


The ball cage is made of heat-stabilized nylon with 33% fill short fiberglass reinforcement for added strength. The nylon material provides a natural lubricity for longer life. Fiberglass reinforcement allows higher operating temperatures than plain nylon, yet it is more resistant to fatigue than metallic cages.

Short fiberglass allows greater flexibility than steel or normal fiberglass, especially under misalignment. That means longer life in mounted bearings where some degree of misalignment is unavoidably encountered.

### Anti-Rotation Pin

An anti-rotation pin prevents rotation of the outer race within the housing. Simple and effective, it makes system inserts easier to replace. There is no need to remove and replace grease fittings, location pins or other devices.



### Wide Variety Of Housing Configurations

DODGE provides a wide variety of durable eccentric mounted ball bearings. Housing configurations include:

- Pillow blocks (2-bolt and tapped base)
- Flange bearings (2- and 4-bolt)
- Hanger bearings
- Cylindrical units
- Take-up bearings
- Take-up frames

### In Stock Near You

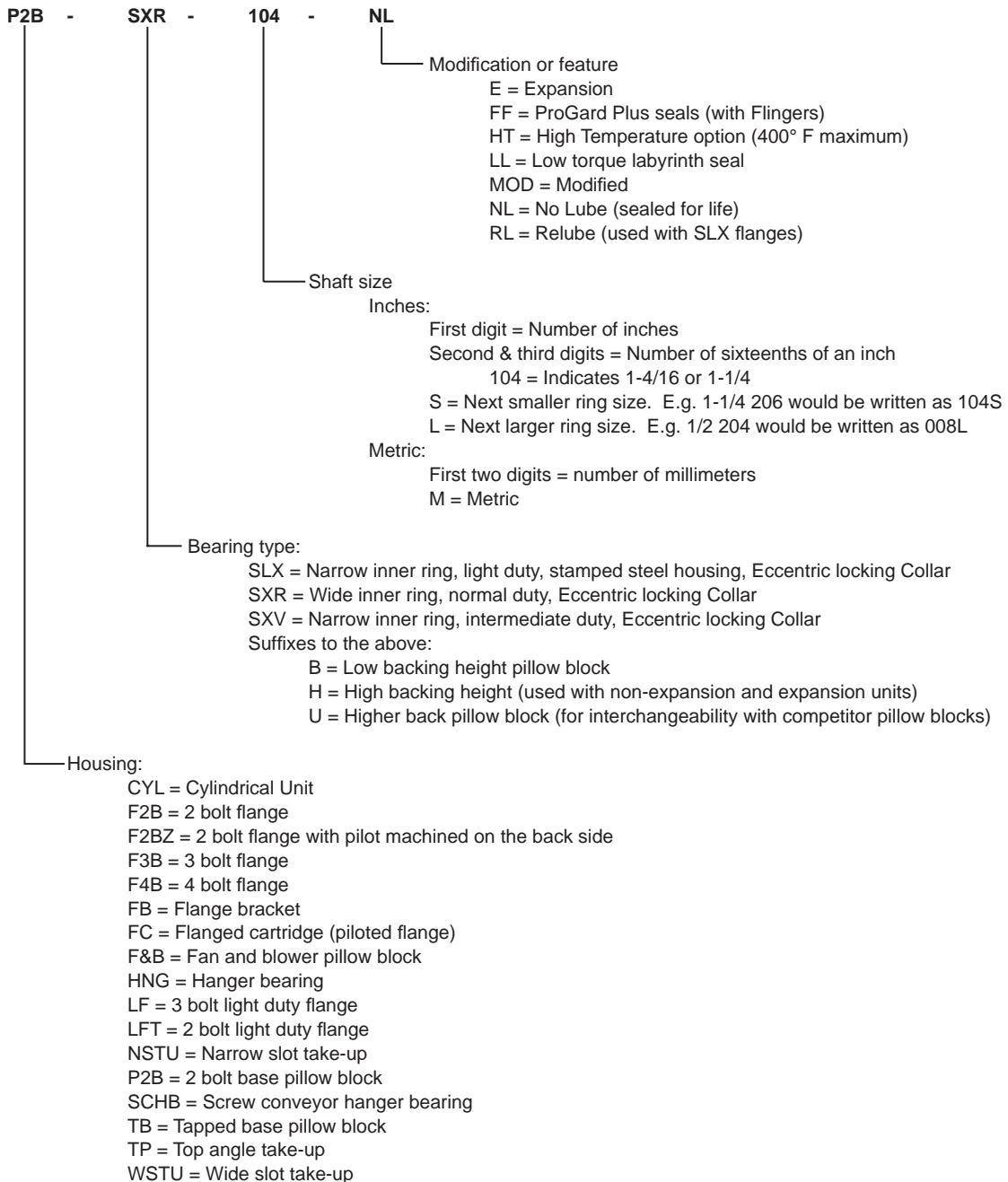
The complete line of DODGE mounted ball bearings is available at your local authorized DODGE distributor. For more information, check the yellow pages for your local distributor, call (864) 297-4800 or fax (864)-281-2318.

# NOMENCLATURE



## Eccentric Collar Ball Bearings

### Nomenclature



# SELECTION



## Eccentric Collar Ball Bearings

DODGE mounted ball bearings are primarily designed for radial loading. However, they have the capacity to carry thrust loads and combined radial/thrust loads. The maximum recommended load which can be applied is limited by various components in the system, such as bearing, housing, shaft attachments, speed and life requirements. DODGE mounted ball bearings have been applied successfully when these limits have been exceeded under controlled operating conditions. Contact DODGE Engineering for applications which exceed these recommendations.

Select a bearing from the Selection Chart that has a radial load rating at the operating speed equal to or greater than the calculated Equivalent Radial Load for a desired L<sub>10</sub> life. This simple method is all that is required for the majority of general applications and provides for occasional average shock loads.

**L<sub>10</sub> Hours Life**-is the life which may be expected for at least 90% of a given group of bearings operating under identical conditions. For an L<sub>10</sub> hours life other than those listed in the Selection Chart, multiply the equivalent Radial load by one of the following factors. For 50,000 L<sub>10</sub> hours life, use a factor of 1.18 and for 80,000, use 1.39. Then select a bearing from the bold face (30,000) L<sub>10</sub> ratings only in the Selection Chart that has a rating equal to or greater than this value.

**Heavy Service**-For heavy shock loads, frequent shock loads or severe vibrations, add up to 50% (according to severity of conditions) to the Equivalent Radial Load to obtain a Modified Equivalent Radial Load. Consult Application Engineering for additional selection assistance.

A thrust load value of C/10 is recommended as a guide for general applications and will give adequate L<sub>10</sub> life. Where substantial radial load pulls the housing away from the mounting base, both the hold-down bolts and housing must be of adequate strength. Auxiliary load carrying devices, such as sheer bars, are advisable for side or end-loading of pillow blocks and radial loads for flange units.

To determine the L<sub>10</sub> hours life for loads and RPM's not listed use the following equation:

$$L_{10} = \left( \frac{C}{P} \right)^3 \times \frac{16667}{\text{RPM}}$$

Where:

L<sub>10</sub> = Life, hours

C = Dynamic Capacity, lbs. or N

P = Equivalent Radial Load, lbs. or N

When the load on a ball bearing is solely a radial load with no thrust (axial) load, the Equivalent Radial Load (P) is equal to the actual radial load. However, when a thrust (axial) load is applied, the radial and thrust loads applied must be converted into an Equivalent Radial Load. The use of the X (radial factor) and Y (thrust factor) from Table 1 convert the actual applied thrust and radial loads to an Equivalent Radial Load which has the same effect on the life of a bearing as a radial load of this magnitude.

$$P = (X \times F_R) + (Y \times F_A)$$

Where:

P = Equivalent Radial Load, lbs.

F<sub>R</sub> = Radial load, lbs.

F<sub>A</sub> = Thrust load, lbs.

e = Thrust load to radial load factor (Table 1)

X = Radial load factor (Table 1)

Y = Thrust factor (Table 1)

C<sub>0</sub> = Basic static capacity

To find X and Y, first calculate F<sub>A</sub>/C<sub>0</sub> to determine e. Calculate F<sub>A</sub>/F<sub>R</sub> and compare to e to determine the X and Y factors to use from Table 1.

Substitute all known values into the Equivalent Radial Load equation. The Equivalent Radial loads (P) thus determined can be used in the L<sub>10</sub> life formula or compared to the allowable Equivalent Radial Load rating desired in the expanded rating chart to select a bearing (Table 2).

If calculated value of P is less than F<sub>R</sub>, use P=F<sub>R</sub>.

**Table 1**

FA Co	e	Radial/Thrust Factors			
		If FA/FR is equal to or less than e		If FA/FR is greater than e	
		FA/FR <= e		FA/FR > e	
		X	Y	X	Y
.014	.19	1	0	.56	2.30
.021	.21	1	0	.56	2.15
.028	.22	1	0	.56	1.99
.042	.24	1	0	.56	1.85
.056	.26	1	0	.56	1.71
.070	.27	1	0	.56	1.63
.084	.28	1	0	.56	1.55
.110	.30	1	0	.56	1.45
.170	.34	1	0	.56	1.31
.280	.38	1	0	.56	1.15
.420	.42	1	0	.56	1.04
.560	.44	1	0	.56	1.00

**Lubrication**-DODGE Ball Bearings are lubricated at the factory and are ready to run. The bearings are initially lubricated with a lithium complex base grease and should be relubricated with the same or some equivalent. For high speeds, high loads, extreme temperatures and other abnormal operating conditions, special greases may be required. Contact DODGE Application Engineering for recommendations on these types of applications.

**Misalignment**-DODGE Ball Bearings are designed to allow a maximum of w2- static misalignment. These bearings are not suitable for dynamic misalignment. To ensure good alignment, mounting surfaces must be checked for flatness and must lie in the same plane. When tightening base bolts, each bolt should be alternately tightened in incremental torque values until full torque is achieved to prevent the angular shifting of the pillow block that occurs when one bolt is tightened to its full torque. Shimming may be required to minimize misalignment.

Normal Shaft Size Inches	Shaft Tolerances		Recommended Shaft Tolerances	
	Commercial Shaft Tolerances Inches		Eccentric Lock Ball Bearings Inches	
Up to 1-1/2	+0.000	-0.002	+0.0000	-0.0005
Over 1-1/2 to 2-1/2	+0.000	-0.003	+0.0000	-0.0010
Over 2-1/2 to 4	+0.000	-0.004	+0.0000	-0.0010

## SELECTION

DODGE®



## Eccentric Collar Ball Bearings - Inch

Table 2: Easy Selection Table For Ball Bearing Mounted Units

RING SIZE	SHAFT SIZE SXR, SXV, SLX	DYNAMIC CAPACITY (lbs)	STATIC CAPACITY Co (lbs)	L <sub>10</sub> LIFE, HOURS	ALLOWABLE EQUIVALENT RADIAL LOAD RATING (LBS.) AT VARIOUS RPM*							
					50	150	250	500	750	1000	1500	1750
203	1/2 5/8	2,158	1,000	20,000	550	380	320	255	225	205	175	170
				<b>30,000</b>	480	335	280	225	195	175	155	145
				40,000	440	305	255	205	175	160	140	135
				60,000	380	265	225	175	155	140	125	115
				100,000	320	225	190	150	130	120	105	100
204	3/4	2,899	1,390	20,000	740	515	435	345	300	275	240	225
				<b>30,000</b>	645	450	380	300	260	240	210	200
				40,000	590	410	345	275	240	215	190	180
				60,000	515	355	300	240	210	190	165	155
				100,000	435	300	255	200	175	160	140	130
205	7/8 15/16 1	3,146	1,565	20,000	805	560	470	375	325	295	260	245
				<b>30,000</b>	705	485	410	325	285	260	225	215
				40,000	640	445	375	295	260	235	205	195
				60,000	560	385	325	260	225	205	180	170
				100,000	470	325	275	220	190	175	150	145
206	1-1/16 1-1/8 1-3/16 1-1/4	4,368	2,250	20,000	1115	775	655	520	455	410	360	340
				<b>30,000</b>	975	675	570	455	395	360	315	300
				40,000	885	615	520	410	360	325	285	270
				60,000	775	535	455	360	315	285	250	235
				100,000	655	455	380	305	265	240	210	200
207	1-1/4 1-5/16 1-3/8 1-7/16	5,759	3,065	20,000	1475	1020	860	685	595	545	475	450
				<b>30,000</b>	1285	890	755	595	520	475	415	395
				40,000	1170	810	685	545	475	430	375	355
				60,000	1020	710	595	475	415	375	330	310
				100,000	860	595	505	400	350	315	275	265
208	1-1/2	7,332	4,005	20,000	1875	1300	1095	870	760	690	605	575
				<b>30,000</b>	1640	1135	960	760	665	605	525	500
				40,000	1490	1030	870	690	605	550	480	455
				60,000	1300	900	760	605	525	480	420	400
				100,000	1095	760	640	510	445	405	355	335
209	1-5/8 1-11/16 1-3/4	7,891	4,450	20,000	2020	1400	1180	935	820	745	650	615
				<b>30,000</b>	1765	1225	1030	820	715	650	570	540
				40,000	1600	1110	935	745	650	590	515	490
				60,000	1400	970	820	650	570	515	450	430
				100,000	1180	820	690	550	480	435	380	360
210	1-15/16 2	7,891	4,450	20,000	2020	1400	1180	935	820	745	650	615
				<b>30,000</b>	1765	1225	1030	820	715	650	570	540
				40,000	1600	1110	935	745	650	590	515	490
				60,000	1400	970	820	650	570	515	450	430
				100,000	1180	820	690	550	480	435	380	360
211	2-3/16	9,755	5,630	20,000	2491	1727	1457	1156	1010	918	802	761
				<b>30,000</b>	2176	1509	1272	1010	882	802	700	665
				40,000	1977	1371	1156	918	802	728	636	604
				60,000	1727	1197	1010	802	700	636	556	528
				100,000	1457	1010	852	676	591	537	469	445
212	2-1/4 2-7/16	11,791	6,955	20,000	3015	2090	1765	1400	1225	1110	970	925
				<b>30,000</b>	2635	1825	1540	1225	1070	970	880	805
				40,000	2395	1660	1400	1110	970	880	770	730
				60,000	2090	1450	1225	970	850	770	675	640
				100,000	1765	1225	1030	820	715	650	570	540
215	2-15/16	14,872	9,255	20,000	3805	2640	225	1765	1545	1400	1225	1165
				<b>30,000</b>	3325	2305	1945	1545	1350	1225	1070	1015
				40,000	3020	2095	1765	1400	1225	1115	975	925
				60,000	2640	1830	1545	1225	1070	975	850	805
				100,000	2225	1545	1300	1035	905	820	715	680

\* Slight interference fit required when operating in the shaded area

# SELECTION



**Eccentric Collar Ball Bearings - Metric**  
**Table 2 (Continued): Easy Selection Table for Ball Bearing Mounted Units**

RING SIZE	SHAFT SIZE SXR, SXV, SLX	DYNAMIC CAPACITY C (lbs)	STATIC CAPACITY Co (lbs)	L <sub>10</sub> LIFE, HOURS	ALLOWABLE EQUIVALENT RADIAL LOAD RATING (LBS.) AT VARIOUS RPM*									
					2000	2500	3000	3500	4000	4500	5000	5500	6500	7500
203	1/2 5/8	2,158	1,000	20,000	160	150	140	135	130	125	120	115	110	105
				30,000	140	130	125	115	110	105	105	100	95	90
				40,000	130	120	110	105	100	95	90	85	80	75
				60,000	110	105	95	95	90	85	80	80	75	70
				100,000	95	85	80	80	75	70	70	65	65	60
204	3/4	2,899	1,390	20,000	215	200	190	180	170	165	160	155	145	140
				30,000	190	175	165	155	150	145	140	135	130	120
				40,000	170	160	150	145	135	130	125	125	115	110
				60,000	150	140	130	125	120	115	110	105	100	95
				100,000	125	115	110	105	100	90	95	90	85	80
205	7/8 15/16 1	3,146	1,565	20,000	235	220	205	195	185	180	175	170	160	150
				30,000	205	190	180	170	165	155	150	145	140	130
				40,000	185	175	165	155	150	140	135	135	125	120
				60,000	165	150	140	135	130	125	120	115	110	105
				100,000	135	125	120	115	110	105	100	100	95	90
206	1-1/16 1-1/8 1-3/16 1-1/4	4,368	2,250	20,000	325	305	285	270	260	250	240	235	220	
				30,000	285	265	250	235	225	220	210	205	195	
				40,000	260	240	225	215	205	200	190	185	175	
				60,000	225	210	200	190	180	175	165	160	155	
				100,000	190	175	165	160	150	145	140	135	130	
207	1-1/4 1-5/16 1-3/8 1-7/16	5,759	3,065	20,000	430	400	375	355	340	330	315	305		
				30,000	375	350	330	310	300	285	275	270		
				40,000	340	315	300	285	275	260	250	245		
				60,000	300	275	260	250	235	230	220	215		
				100,000	250	235	220	210	200	190	185	180		
208	1-1/2	7,332	4,005	20,000	550	510	480	455	435	420	405			
				30,000	480	445	420	400	380	365	355			
				40,000	435	405	380	360	345	330	320			
				60,000	380	355	330	315	300	290	280			
				100,000	320	300	280	265	255	245	235			
209	1-5/8 1-11/16 1-3/4	7,891	4,450	20,000	590	550	515	490	470	450	435			
				30,000	515	480	450	430	410	395	380			
				40,000	470	435	410	390	370	360	345			
				60,000	410	380	360	340	325	310	300			
				100,000	345	320	300	285	275	265	255			
210	1-15/16 2	7,891	4,450	20,000	590	550	515	490	470	450				
				30,000	515	480	450	430	410	395				
				40,000	470	435	410	390	370	360				
				60,000	410	380	360	340	325	310				
				100,000	345	320	300	285	275	265				
211	2-3/16	9,755	5,630	20,000	729	676	636	604	578					
				30,000	636	591	556	528	505					
				40,000	578	537	505	480	459					
				60,000	505	469	441	419	401					
				100,000	426	395	372	353	338					
212	2-1/4 2-7/16	11,791	6,955	20,000	880	820	770	730						
				30,000	770	715	675	640						
				40,000	700	650	610	580						
				60,000	610	570	535	510						
				100,000	515	480	450	430						
215	2-15/16	14,872	9,255	20,000	1115	1035	975							
				30,000	975	905	850							
				40,000	885	820	770							
				60,000	770	715	675							
				100,000	650	605	570							

\* Slight interference fit required when operating to the right of the heavy line

Bearing Quick Reference

E-Z KLEEN

GRIP TIGHT Adapter Ball Bearing

Set Screw Ball Bearing

Eccentric Collar Ball Bearing

# SELECTION



## Eccentric Collar Ball Bearings - Metric Table 2 (Continued): Easy Selection Table for Ball Bearing Mounted Units

RING SIZE	SHAFT SIZE SXR, SXV, SLX	DYNAMIC CAPACITY C (N)	STATIC CAPACITY Co (N)	L10 LIFE, HOURS	ALLOWABLE EQUIVALENT RADIAL LOAD RATING (N) AT VARIOUS RPM*							
					50	150	250	500	750	1000	1500	1750
203	17mm	9,600	4,450	20,000	2446	1690	1423	1134	1001	912	778	758
				<b>30,000</b>	2135	1490	1245	1001	867	778	689	645
				40,000	1957	1357	1134	912	778	712	623	600
				60,000	1690	1179	1001	778	689	623	556	512
				100,000	1423	1001	845	667	578	534	467	445
204	20mm	12,895	6,185	20,000	3292	2291	1835	1535	1334	1223	1068	1001
				<b>30,000</b>	2869	2002	1690	1334	1156	1068	934	890
				40,000	2624	1824	1535	1223	1068	956	845	801
				60,000	2291	1579	1334	1068	934	845	734	689
				100,000	1935	1334	1134	890	778	712	623	578
205	25mm	13,995	6,964	20,000	3581	2491	2091	1668	1446	1312	1156	1090
				<b>30,000</b>	3136	2157	1824	1446	1268	1156	1001	956
				40,000	2847	1979	1668	1312	1156	1045	912	867
				60,000	2491	1712	1446	1156	1001	912	801	756
				100,000	2091	1446	1223	979	845	778	667	645
206	30mm	19,438	10,013	20,000	4960	3447	2913	1313	2024	1824	1601	1512
				<b>30,000</b>	4337	3002	2535	2024	1757	1601	1401	1334
				40,000	3936	2736	2313	1824	1601	1446	1268	1201
				60,000	3447	2380	2024	1601	1401	1268	1112	1045
				100,000	2913	2024	1690	1357	1179	1068	934	890
207	35mm	25,628	13,639	20,000	6561	4537	3825	3047	2647	2424	2113	2002
				<b>30,000</b>	5716	3959	3358	2647	2313	2113	1846	1757
				40,000	5204	3603	3047	2424	2113	1913	1668	1579
				60,000	4537	3158	2647	2113	1846	1668	1468	1379
				100,000	3825	2647	2246	1779	1557	1401	1223	1179
208	40mm	32,627	17,822	20,000	8340	5782	4871	3870	3380	3069	2691	2558
				<b>30,000</b>	7295	5048	4270	3380	2958	2691	2335	2224
				40,000	6628	4581	3870	3069	2691	2446	2135	2024
				60,000	5782	4003	3380	2691	2335	2135	1868	1779
				100,000	4871	3380	2847	2268	1979	1801	1579	1490
209	45mm	35,115	19,803	20,000	8985	6227	5249	4159	3647	3314	2891	2736
				<b>30,000</b>	7851	5449	4581	3647	3180	2891	2535	2402
				40,000	7117	4937	4159	3314	2891	2624	2291	2180
				60,000	6227	4315	3647	2891	2535	2291	2002	1913
				100,000	5249	3647	3069	2446	2135	1935	1690	1601
210	50mm	35,115	19,803	20,000	8985	6227	5249	4159	3647	3314	2891	2736
				<b>30,000</b>	7851	5449	4581	3647	3180	2891	2535	2402
				40,000	7177	4937	4159	3314	2891	2624	2291	2180
				60,000	6227	4315	3647	2891	2535	2291	2002	1913
				100,000	5249	3647	3069	2446	2135	1935	1690	1601
211	55mm	43,394	25,054	20,000	11079	7682	6479	5142	4492	4082	3566	3387
				<b>30,000</b>	9678	6711	5660	4492	3924	3566	3115	2959
				40,000	8793	6097	5142	4082	3566	3240	2830	2688
				60,000	7682	5326	4492	3566	3115	2830	2472	2348
				100,000	6479	4492	3789	3007	2627	2387	2085	1981
212	60mm	52,470	30,950	20,000	13411	9296	7851	6227	5449	4937	4315	4114
				<b>30,000</b>	11720	8118	6850	5449	4759	4315	3914	3481
				40,000	10653	7384	6227	4937	4315	3914	3425	3247
				60,000	9296	6450	5449	4315	3781	3425	3002	2847
				100,000	7851	5449	4581	3647	3180	2891	2535	2402
215	75mm	66,180	41,185	20,000	16925	11743	9897	7851	6872	6227	5449	5182
				<b>30,000</b>	14790	10253	8651	6872	6005	5449	4759	4515
				40,000	13433	9319	7851	6227	5449	4960	4337	4114
				60,000	11743	8140	6872	5449	4759	4337	3781	3581
				100,000	9897	6872	5782	4604	4025	3647	3180	3025

\* Slight interference fit required when operating in the shaded area





## Eccentric Collar Ball Bearings - Metric

### Table 2 (Continued): Easy Selection Table for Ball Bearing Mounted Units

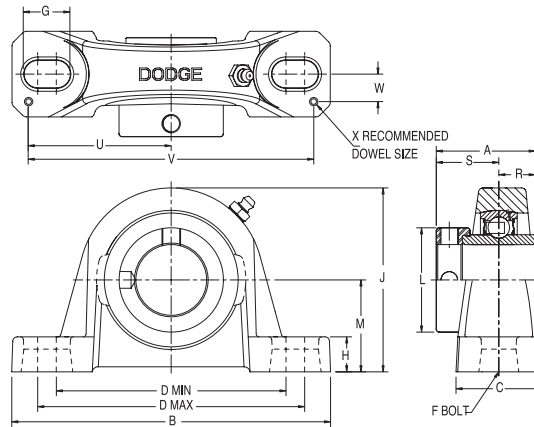
RING SIZE	SHAFT SIZE SXR, SXV, SLX	DYNAMIC CAPACITY C (N)	STATIC CAPACITY Co (N)	L <sub>10</sub> LIFE, HOURS	ALLOWABLE EQUIVALENT RADIAL LOAD RATING (N) AT VARIOUS RPM*									
					2000	2500	3000	3500	4000	4500	5000	5500	6500	7500
203	17mm	9,600	4,450	20,000	0712	667	623	600	578	556	534	512	489	457
				<b>30,000</b>	623	578	556	512	489	467	467	445	423	400
				40,000	578	534	489	467	445	423	423	400	378	358
				60,000	489	467	423	423	400	378	356	356	334	311
				100,000	423	378	356	356	334	311	311	289	289	267
204	20mm	12,895	6,185	20,000	956	890	845	801	756	734	712	689	645	623
				<b>30,000</b>	845	778	734	689	667	645	623	600	578	534
				40,000	756	712	667	645	600	578	556	556	512	489
				60,000	667	623	578	556	534	512	489	457	445	423
				100,000	556	512	489	467	445	400	423	400	378	356
205	25mm	13,995	6,964	20,000	1045	979	912	867	823	801	778	756	712	667
				<b>30,000</b>	912	845	801	756	734	689	667	645	623	578
				40,000	823	778	734	689	667	623	600	600	556	534
				60,000	734	667	623	600	578	556	534	512	489	467
				100,000	600	556	534	512	489	467	445	445	423	400
206	30mm	19,438	10,013	20,000	1446	1357	1268	1201	1156	1112	1068	1045	979	
				<b>30,000</b>	1268	1179	1112	1045	1001	979	934	912	867	
				40,000	1156	1068	1001	956	912	890	845	823	778	
				60,000	1001	934	890	845	801	778	734	712	689	
				100,000	845	778	734	712	667	645	623	600	578	
207	35mm	25,628	13,639	20,000	1913	1779	1668	1579	1512	1468	1401	1357		
				3,000	1668	1557	1468	1379	1334	1268	1223	1201		
				40,000	1512	1401	1334	1268	1201	1156	1112	1090		
				60,000	1334	1223	1156	1112	1045	1023	979	956		
				100,000	1112	1045	979	934	890	845	823	801		
208	40mm	32,627	17,822	20,000	2446	2268	2135	2024	1935	1868	1801			
				<b>30,000</b>	2135	1979	1868	1779	1680	1624	1579			
				40,000	1935	1801	1690	1601	1535	1468	1423			
				60,000	1690	1579	1468	1401	1334	1290	1245			
				100,000	1423	1334	1245	1179	1134	1090	1045			
209	45mm	35,115	19,803	20,000	2624	2446	2291	2180	2091	2002	1935			
				<b>30,000</b>	2291	2135	2002	1913	1824	1757	1690			
				40,000	2091	1935	1824	1735	1646	1601	1535			
				60,000	1824	1690	1601	1512	1446	1379	1334			
				100,000	1535	1423	1334	1268	1223	1179	1134			
210	50mm	35,115	19,803	20,000	2624	2446	2291	2180	2091	2002				
				<b>30,000</b>	2291	2135	2002	1913	1824	1757				
				40,000	2091	1935	1824	1735	1646	1601				
				60,000	1824	1690	1601	1512	1446	1379				
				100,000	1535	1423	1334	1268	1223	1179				
211	55mm	43,394	25,054	20,000	3241	3007	2830	2688	2571					
				<b>30,000</b>	2831	2627	2472	2348	2246					
				40,000	2572	2387	2246	2134	2041					
				60,000	2247	2085	1962	1864	1783					
				100,000	1895	1759	1655	1572	1504					
212	60mm	52,470	30,950	20,000	3914	3647	3425	3247						
				<b>30,000</b>	3425	3180	3002	2847						
				40,000	3114	2891	2713	2580						
				60,000	2713	2535	2380	2268						
				100,000	2291	2135	2002	1913						
215	75mm	66,180	41,185	20,000	4960	4604	4337							
				<b>30,000</b>	4337	4025	3781							
				40,000	3936	3647	3425							
				60,000	3425	3180	3002							
				100,000	2891	2691	2535							

\* Slight interference fit required when operating to the right of the heavy line

# SELECTION/DIMENSIONS



## Eccentric Collar Ball Bearings SXR AND SXRU NORMAL DUTY PILLOW BLOCKS



Series	Shaft Size	Standard		Sealed for Life	
		Part No.	Description	Part No.	Description
203	1/2	<b>131800</b>	P2B-SXR-008	@	P2B-SXR-008-NL
	5/8	<b>131801</b>	P2B-SXR-010	@	P2B-SXR-010-NL
	17mm	@	<i>P2B-SXR-17M</i>	@	<i>P2B-SXR-17M-NL</i>
203 (SXRU)	1/2	<b>131341</b>	P2B-SXRU-008	@	P2B-SXRU-008-NL
	5/8	<b>131342</b>	P2B-SXRU-010	@	P2B-SXRU-010-NL
	17mm	<b>125655</b>	<i>P2B-SXRU-17M</i>	@	<i>P2B-SXRU-17M-NL</i>
204	3/4	<b>131802</b>	P2B-SXR-012	@	P2B-SXR-012-NL
	20mm	<b>125656</b>	<i>P2B-SXR-20M</i>	@	<i>P2B-SXR-20M-NL</i>
205	7/8	<b>131803</b>	P2B-SXR-014	@	P2B-SXR-014-NL
	15/16	<b>131804</b>	P2B-SXR-015	@	P2B-SXR-015-NL
	1	<b>131805</b>	P2B-SXR-100	@	P2B-SXR-100-NL
	25mm	<b>125657</b>	<i>P2B-SXR-25M</i>	@	<i>P2B-SXR-25M-NL</i>
206	1-1/16	<b>131806</b>	P2B-SXR-101	@	P2B-SXR-101-NL
	1-1/8	<b>131807</b>	P2B-SXR-102	@	P2B-SXR-102-NL
	1-3/16	<b>131808</b>	P2B-SXR-103	@	P2B-SXR-103-NL
	1-1/4	<b>064230</b>	P2B-SXR-104S	@	P2B-SXR-104S-NL
	30mm	@	<i>P2B-SXR-30M</i>	@	<i>P2B-SXR-30M-NL</i>
206 (SXRU)	1-1/16	<b>131895</b>	P2B-SXRU-101	@	P2B-SXRU-101-NL
	1-1/8	<b>131896</b>	P2B-SXRU-102	@	P2B-SXRU-102-NL
	1-3/16	<b>131897</b>	P2B-SXRU-103	<b>064882</b>	P2B-SXRU-103-NL
	1-1/4	@	P2B-SXRU-104S	@	P2B-SXRU-104S-NL
	30mm	<b>125658</b>	<i>P2B-SXRU-30M</i>	@	<i>P2B-SXRU-30M-NL</i>
207	1-1/4	<b>131809</b>	P2B-SXR-104	<b>054950</b>	P2B-SXR-104-NL
	1-5/16	<b>131810</b>	P2B-SXR-105	@	P2B-SXR-105-NL
	1-3/8	<b>131811</b>	P2B-SXR-106	<b>065616</b>	P2B-SXR-106-NL
	1-7/16	<b>131812</b>	P2B-SXR-107	<b>059667</b>	P2B-SXR-107-NL
	35mm	<b>125659</b>	<i>P2B-SXR-35M</i>	@	<i>P2B-SXR-35M-NL</i>

@ Assembled to order

FEATURES/BENEFITS PAGE B4-2	NOMENCLATURE PAGE B4-4	SELECTION PAGE B4-5	RELATED PRODUCTS PAGE B4-85
--------------------------------	---------------------------	------------------------	--------------------------------

# SELECTION/DIMENSIONS



## Eccentric Collar Ball Bearings SXR AND SXRU NORMAL DUTY PILLOW BLOCK

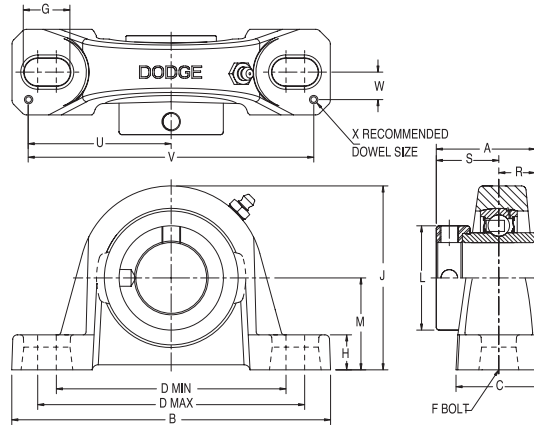
Series	Shaft Size	Weight lbs kg	A	B	C	D		F Bolt Dia.	G	H	J	L	M	R	S	U	V	W	X
						min.	max.												
203	1/2	1.2	1-15/32	5	1-13/64	3-1/4	4-1/16	3/8	27/32	15/32	2-9/64	1-1/8	1-1/16	35/64	59/64	2-1/4	4-1/2	3/8	1/8
	5/8	1.0																	
	17mm	0.5	37.3	127.0	30.6	82.6	103.2	M10	21.4	11.9	54.4	28.6	27.0	13.9	23.4	5.72	114.3	9.5	3.2
203 (SXRU)	1/2	1.2	1-15/32	5	1-13/64	3-1/4	4-1/16	3/8	27/32	19/32	2-17/64	1-1/8	1-3/16	35/64	59/64	2-1/4	4-1/2	3/8	1/8
	5/8																		
	17mm	0.5	37.3	127.0	30.6	82.6	103.2	M10	21.4	15.1	57.5	28.6	30.2	13.9	23.4	5.72	114.3	9.5	3.2
204	3/4	1.6	1-23/32	5-1/4	1-21/64	3-3/8	4-3/16	3/8	27/32	33/64	2-1/16	1-5/16	1-5/16	43/64	1-3/64	2-1/4	4-1/2	1/2	1/8
	20mm	0.4	43.7	133.4	33.7	85.7	106.4	M10	21.4	13.1	65.1	33.3	33.3	17.1	26.6	57.2	114.3	12.7	3.2
205	7/8	1.9	1-3/4	5-1/2	1-13/32	3-11/16	4-1/2	3/8	27/32	37/64	2-25/32	1-5/16	1-7/16	11/16	1-1/16	2-1/2	5	1/2	3/16
	15/16	1.8																	
	1	1.7																	
206	25mm	0.6	44.5	139.7	35.7	93.7	114.3	M10	21.4	14.7	70.6	38.3	36.5	17.5	27.0	63.5	127.0	12.7	4.8
	1-1/16	2.8	1-29/32	6-1/4	1-47/64	4-1/4	5	1/2	15/16	11/16	3-1/4	1-3/4	1-5/8	23/32	1-3/16	2-7/8	5-3/4	9/16	3/16
	1-1/8	2.7																	
206 (SXRU)	1-3/16	2.6																	
	1-1/4	2.5																	
	30mm	1.1	48.4	158.8	44.1	108.0	127.0	M12	23.8	17.5	82.6	44.5	41.3	18.3	30.2	73.0	146.1	14.3	4.8
207	1-1/16	2.9	1-29/32	6-1/4	1-47/64	4-1/4	5	1/2	15/16	3/4	3-5/16	1-3/4	1-11/16	23/32	1-3/16	2-7/8	5-3/4	9/16	3/16
	1-1/8	2.8																	
	1-3/16	2.7																	
207	1-1/4	4.6	2-1/64	6-1/2	1-47/64	4-11/16	5-7/16	1/2	15/16	45/64	3-3/4	2-1/8	1-7/8	47/64	1-9/32	2-29/32	5-13/16	9/16	3/16
	1-5/16	4.5																	
	1-3/8	4.4																	
207	1-7/16	4.3																	
	35mm	1.9	51.2	165.1	44.1	119.1	138.1	M12	23.8	17.9	95.3	54.0	47.6	18.7	32.5	73.8	147.6	14.3	4.8

FEATURES/BENEFITS PAGE B4-2	NOMENCLATURE PAGE B4-4	SELECTION PAGE B4-5	RELATED PRODUCTS PAGE B4-85
--------------------------------	---------------------------	------------------------	--------------------------------

# SELECTION/DIMENSIONS



## Eccentric Collar Ball Bearings SXR AND SXRU NORMAL DUTY PILLOW BLOCK



Series	Shaft Size	Standard		Sealed for Life	
		Part No.	Description	Part No.	Description
208	1-1/2 40mm	<b>131813</b>	P2B-SXR-108	<b>049841</b>	P2B-SXR-108-NL
		@	<i>P2B-SXR-40M</i>	@	<i>P2B-SXR-40M-NL</i>
209	1-5/8 1-11/16 1-3/4 45mm	<b>131814</b>	P2B-SXR-110	@	P2B-SXR-110-NL
		<b>131815</b>	P2B-SXR-111	<b>052762</b>	P2B-SXR-111-NL
		<b>131816</b>	P2B-SXR-112	<b>049848</b>	P2B-SXR-112-NL
		<b>125661</b>	<i>P2B-SXR-45M</i>	@	<i>P2B-SXR-45M-NL</i>
210	1-15/16 2 50mm	<b>131817</b>	P2B-SXR-115	<b>052763</b>	P2B-SXR-115-NL
		<b>131818</b>	P2B-SXR-200	<b>049843</b>	P2B-SXR-200-NL
		<b>125662</b>	<i>P2B-SXR-50M</i>	@	<i>P2B-SXR-50M-NL</i>
211	2 2-3/16 55mm	<b>131339</b>	P2B-SXR-200L	@	P2B-SXR-200L-NL
		<b>131819</b>	P2B-SXR-203	@	P2B-SXR-203-NL
		<b>125663</b>	<i>P2B-SXR-55M</i>	@	<i>P2B-SXR-55M-NL</i>
212	2-1/4 2-7/16 60mm	<b>131820</b>	P2B-SXR-204	@	P2B-SXR-204-NL
		<b>131821</b>	P2B-SXR-207	<b>049844</b>	P2B-SXR-207-NL
		<b>125664</b>	<i>P2B-SXR-60M</i>	@	<i>P2B-SXR-60M-NL</i>
215	2-15/16 75mm	<b>131432</b>	P2B-SXR-215	@	P2B-SXR-215-NL
		@	<i>P2B-SXR-75M</i>	@	<i>P2B-SXR-75M-NL</i>
215 (SXRU)	2-15/16 75mm	<b>131433</b>	P2B-SXRU-215	@	P2B-SXRU-215-NL
		<b>125665</b>	<i>P2B-SXRU-75M</i>	@	<i>P2B-SXRU-75M-NL</i>

@ Assembled to order

FEATURES/BENEFITS PAGE B4-2	NOMENCLATURE PAGE B4-4	SELECTION PAGE B4-5	RELATED PRODUCTS PAGE B4-85
--------------------------------	---------------------------	------------------------	--------------------------------

# SELECTION/DIMENSIONS



## Eccentric Collar Ball Bearings SXR AND SXRU NORMAL DUTY PILLOW BLOCK

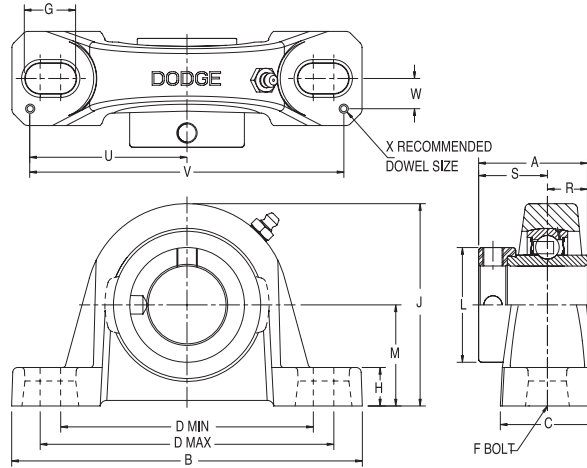
Series	Shaft Size	Weight lbs kg	A	B	C	D		F Bolt Dia.	G	H	J	L	M	R	S	U	V	W	X
						min.	max.												
208	1-1/2 40mm	5.3 2.4	2-7/32 56.4	7-1/4 184.2	1-15/16 49.2	5-3/16 131.8	5-7/8 149.2	1/2 M12	29/32 23.0	15/16 23.8	4-3/16 106.4	2-3/8 60.3	2-1/8 54.0	27/32 21.4	1-3/8 34.9	3-17/64 82.9	6-17/32 165.9	11/16 17.5	3/16 4.8
	209	1-5/8	6.6	2-7/32	7-7/16	2	5-1/2	6-3/8	1/2	29/32	3/4	4-9/32	2-1/8	2-1/8	27/32	1-3/8	3-3/8	6-3/4	11/16
1-11/16		6.5																	
1-3/4 45mm		6.4 2.8	56.4	188.9	50.8	139.7	161.9	M12	23.0	19.1	108.7	54.0	54.0	21.4	34.9	85.7	171.5	17.5	4.8
210	1-15/16 2	7.4 7.2	2-15/32	8-1/8	2-1/4	6	6-11/16	5/8	1-1/16	3/4	4-17/32	2-3/4	2-1/4	31/32	1-1/2	3-11/16	7-3/8	13/16	3/16
	50mm	3.2	62.7	206.4	57.2	152.4	169.9	M16	27.0	19.1	115.1	69.9	57.2	24.6	38.1	93.7	187.3	20.3	4.8
211	2	9.8	2-13/16	8-7/8	2-5/16	6-3/8	7-7/16	5/8	1-7/32	7/8	4-31/32	3	2-1/2	1-3/32	1-23/32	3-15/16	7-7/8	13/16	3/16
	2-3/16 55mm	9.3 4.1	71.4	225.4	58.7	161.9	188.9	M16	31.0	22.2	126.2	76.2	63.5	27.8	43.7	100.0	200.0	20.6	4.8
212	2-1/4	11.6	3-1/16	9-1/2	2-3/8	6-7/8	7-15/16	5/8	1-7/32	7/8	5-13/32	3-5/16	2-3/4	1-7/32	1-27/32	4-1/4	8-1/2	7/8	3/16
	2-7/16 60mm	11.0 5.0	77.8	241.3	60.3	174.6	201.6	M16	31.0	22.2	137.3	84.1	69.9	31.0	46.8	108.0	215.9	22.2	4.8
215	2-15/16 75mm	21.0 9.3	3-5/8 92.1	11-3/4 298.5	2-7/8 73.0	8-1/2 215.9	9-1/2 241.3	7/8 M22	1-5/16 33.3	1 25.4	6-3/32 154.8	4 101.6	3-1/2 88.9	1-15/32 37.3	2-5/32 54.8	5-31/34 139.3	10-31/32 278.6	1-3/64 26.6	3/16 4.8
	(SXRU) 75mm	21.0 9.3	3-5/8 92.1	11-3/4 298.5	2-7/8 73.0	8-1/2 215.9	9-1/2 241.3	7/8 M22	1-7/16 36.5	1 25.4	6-3/4 171.5	4 101.6	3-1/4 82.6	1-15/32 37.3	2-5/32 54.8	5-31/34 139.3	10-31/32 278.6	1-3/64 26.6	3/16 4.8

FEATURES/BENEFITS PAGE B4-2	NOMENCLATURE PAGE B4-4	SELECTION PAGE B4-5	RELATED PRODUCTS PAGE B4-85
--------------------------------	---------------------------	------------------------	--------------------------------

# SELECTION/DIMENSIONS



## Eccentric Collar Ball Bearings SXR Normal Duty Pillow Block



Series	Shaft Size	Standard		With Flingers	
		Part No.	Description	Part No.	Description
203 (SXR)	1/2	<b>131800</b>	P2B-SXR-008	@	P2B-SXR-008-FF
	5/8	<b>131801</b>	P2B-SXR-010	@	P2B-SXR-010-FF
	17mm	@	<i>P2B-SXR-17M</i>	@	<i>P2B-SXR-17M-FF</i>
204	3/4	<b>131830</b>	P2B-SXRB-012	<b>068195</b>	P2B-SXRB-012-FF
	20mm	@	<i>P2B-SXRB-20M</i>	@	<i>P2B-SXRB-20M-FF</i>
205	7/8	<b>131831</b>	P2B-SXRB-014	@	P2B-SXRB-014-FF
	15/16	<b>131832</b>	P2B-SXRB-015	@	P2B-SXRB-015-FF
	1	<b>131833</b>	P2B-SXRB-100	<b>068196</b>	P2B-SXRB-100-FF
	25mm	@	<i>P2B-SXRB-25M</i>	@	<i>P2B-SXRB-25M-FF</i>
206	1-1/16	<b>131834</b>	P2B-SXRB-101	@	P2B-SXRB-101-FF
	1-1/8	<b>131835</b>	P2B-SXRB-102	<b>068197</b>	P2B-SXRB-102-FF
	1-3/16	<b>131836</b>	P2B-SXRB-103	<b>068198</b>	P2B-SXRB-103-FF
	1-1/4	<b>068743</b>	P2B-SXRB-104S	@	P2B-SXRB-104S-FF
	30mm	@	<i>P2B-SXRB-30M</i>	@	<i>P2B-SXRB-30M-FF</i>
207	1-1/4	<b>131837</b>	P2B-SXRB-104	<b>068199</b>	P2B-SXRB-104-FF
	1-5/16	<b>131838</b>	P2B-SXRB-105	@	P2B-SXRB-105-FF
	1-3/8	<b>131839</b>	P2B-SXRB-106	<b>068200</b>	P2B-SXRB-106-FF
	1-7/16	<b>131840</b>	P2B-SXRB-107	<b>068201</b>	P2B-SXRB-107-FF
	35mm	@	<i>P2B-SXRB-35M</i>	@	<i>P2B-SXRB-35M-FF</i>

@ Assembled to order

FEATURES/BENEFITS PAGE B4-2	NOMENCLATURE PAGE B4-4	SELECTION PAGE B4-5	RELATED PRODUCTS PAGE B4-85
--------------------------------	---------------------------	------------------------	--------------------------------

# SELECTION/DIMENSIONS



## Eccentric Collar Ball Bearings SXR Normal Duty Pillow Block

Bearing Quick Reference

E-Z KLEEN

GRIP TIGHT Adapter Ball Bearing

Set Screw Ball Bearing

Eccentric Collar Ball Bearing

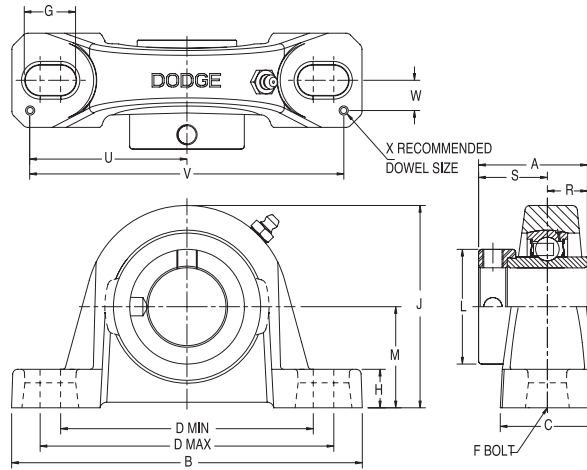
Series	Shaft Size	Weight lbs. kg.	A	B	C	D		F Bolt Dia.	G	H	J	L	M	R	S	U	V	W	X	
						min.	max.													
203 (SXR)	1/2	1.2	1-15/32	5	1-31/64	3-1/4	4-1/16	3/8	27/32	15/32	2-9/64	1-1/8	1-1/16	35/64	59/64	2-1/4	4-1/2	3/8	1/8	
	5/8	1.0																		
	17mm	.5	37.3	2.2	30.6	1.4	103.2	M10	21.4	11.9	54.4	28.6	27.0	13.9	23.4	57.2	114.3	9.5	3.2	
204	3/4	1.5	1-23/32	5-1/4	1-21/64	3-3/8	4-3/16	3/8	27/32	29/64	2-1/2	1-5/16	1-1/4	43/64	1-3/64	2-1/4	4-1/2	1/2	1/8	
	20mm	.7	43.7	2.3	33.7	1.5	106.4	M10	21.4	11.5	63.5	33.3	31.8	17.1	26.6	57.2	114.3	12.7	3.2	
205	7/8	1.8	1-3/4	5-1/2	1-13/32	3-11/16	4-1/2	3/8	27/32	29/64	2-21/32	1-1/2	1-5/16	11/16	1-1/16	2-1/2	5	1/2	3/16	
	15/16	1.7																		
	1	1.6																		
206	25mm	.8	44.5	139.7	35.7	93.7	114.3	M10	21.4	11.5	67.5	38.1	33.3	17.5	27.0	63.5	127.0	12.7	4.8	
	1-1/16	2.7	1-29/32	6-1/4	1-47/64	4-1/4	5	1/2	15/16	5/8	3-3/16	1-3/4	1-9/16	23/32	1-3/16	2-7/8	5-3/4	9/16	3/16	
	1-1/8	2.6																		
	1-3/16	2.5																		
207	1-1/4	4.4	2-1/64	6-1/2	1-47/64	4-11/16	5-7/16	1/2	15/16	41/64	3-11/16	2-1/8	1-13/16	47/64	1-9/32	2-29/32	5-13/16	9/16	3/16	
	1-5/16	4.3																		
	1-3/8	4.2																		
	1-7/16	4.1																		
	35mm	1.9	51.2	165.1	44.1	119.1	138.1	M12	23.8	16.3	93.7	54.0	46.0	18.7	32.5	73.8	147.6	14.3	4.8	

FEATURES/BENEFITS PAGE B4-2	NOMENCLATURE PAGE B4-4	SELECTION PAGE B4-5	RELATED PRODUCTS PAGE B4-85
--------------------------------	---------------------------	------------------------	--------------------------------

# SELECTION/DIMENSIONS



## Eccentric Collar Ball Bearings SXR Normal Duty Pillow Block



Series	Shaft Size	Standard		With Flingers	
		Part No.	Description	Part No.	Description
208	1-1/2 40mm	<b>131841</b>	P2B-SXR-108	<b>068202</b>	P2B-SXR-108-FF
		<b>125660</b>	<i>P2B-SXR-40M</i>	@	<i>P2B-SXR-40M-FF</i>
209	1-5/8 1-11/16 1-3/4 45mm	<b>131842</b>	P2B-SXR-110	<b>068203</b>	P2B-SXR-110-FF
		<b>131843</b>	P2B-SXR-111	<b>068204</b>	P2B-SXR-111-FF
		<b>131844</b>	P2B-SXR-112	<b>068205</b>	P2B-SXR-112-FF
		@	<i>P2B-SXR-45M</i>	@	<i>P2B-SXR-45M-FF</i>
210	1-15/16 2 50mm	<b>131845</b>	P2B-SXR-115	<b>068206</b>	P2B-SXR-115-FF
		<b>131846</b>	P2B-SXR-200	@	P2B-SXR-200-FF
211	2 2-3/16 55mm	@	<i>P2B-SXR-50M</i>	@	<i>P2B-SXR-50M-FF</i>
		<b>131340</b>	P2B-SXR-200L	@	P2B-SXR-200L-FF
		<b>131847</b>	P2B-SXR-203	@	P2B-SXR-203-FF
212	2-1/4 2-7/16 60mm	@	<i>P2B-SXR-55M</i>	@	<i>P2B-SXR-55M-FF</i>
		<b>131848</b>	P2B-SXR-204	@	P2B-SXR-204-FF
		<b>131849</b>	P2B-SXR-207	@	P2B-SXR-207-FF
215	2-15/16 75mm	@	<i>P2B-SXR-60M</i>	@	<i>P2B-SXR-60M-FF</i>
		<b>131434</b>	P2B-SXR-215	@	P2B-SXR-215-FF
		@	<i>P2B-SXR-75M</i>	@	<i>P2B-SXR-75M-FF</i>

@ Assembled to order

FEATURES/BENEFITS PAGE B4-2	NOMENCLATURE PAGE B4-4	SELECTION PAGE B4-5	RELATED PRODUCTS PAGE B4-85
--------------------------------	---------------------------	------------------------	--------------------------------



# SELECTION/DIMENSIONS



## Eccentric Collar Ball Bearings SXRБ NORMAL DUTY PILLOW BLOCK

Bearing Quick Reference

E-Z KLEEN

GRIP TIGHT Adapter Ball Bearing

Set Screw Ball Bearing

Eccentric Collar Ball Bearing

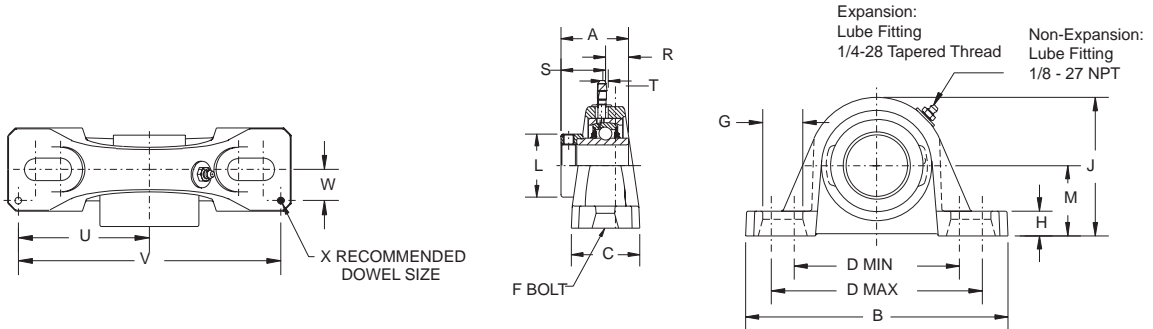
Series	Shaft Size	Weight lbs. kg.	A	B	C	D		F Bolt Dia.	G	H	J	L	M	R	S	U	V	W	X
						min.	max.												
208	1-1/2	5.0	2-7/32	7-1/4	1-15/16	5-3/16	5-7/8	1/2	29/32	3/4	4	2-3/8	1-15/16	27/32	1-3/8	3-17/64	6-17/32	11/16	3/16
	40mm	2.2	56.4	184.2	49.2	131.8	149.2	M12	23.0	19.1	101.6	60.3	49.2	21.4	34.9	82.9	165.9	17.5	4.8
209	1-5/8	6.4	2-7/32	7-7/16	2	5-1/2	6-3/8	1/2	29/32	11/16	4-7/32	2-1/8	2-1/16	27/32	1-3/8	3-3/8	6-3/4	11/16	3/16
	1-11/16	6.3																	
	45mm	2.8	56.4	188.9	50.8	139.7	161.9	M12	23.0	17.5	107.2	64.1	52.4	21.4	34.9	85.7	171.5	17.5	4.8
210	1-15/16	7.2	2-15/32	8-1/8	2-1/4	6	6-11/16	5/8	1-1/64	11/16	4-15/32	2-3/4	2-3/16	31/32	1-1/2	3-11/16	7-3/8	13/16	3/16
	50mm	3.2	62.7	206.4	57.2	152.4	169.9	M16	25.8	17.5	113.5	69.9	55.6	24.6	38.1	93.7	187.3	20.6	4.8
211	2	9.5	2-13/16	8-7/8	2-5/16	6-3/8	7-7/16	5/8	1-7/32	13/16	4-29/32	3	2-7/16	1-3/32	1-23/32	3-15/16	7-7/8	13/16	3/16
	55mm	4.2	71.4	225.4	58.7	161.9	188.9	M16	31.0	20.6	124.6	76.2	61.9	27.8	43.7	100.0	200.0	20.6	4.8
212	2-1/4	11.4	3-1/16	9-1/2	2-3/8	6-7/8	7-15/16	5/8	1-7/32	13/16	5-11/32	3-5/16	2-11/16	1-7/32	1-27/32	4-1/4	8-1/2	7/8	3/16
	60mm	5.1	77.8	241.3	60.3	174.6	201.6	M16	31.0	20.6	135.7	84.1	68.3	31.0	46.8	108.0	215.9	22.2	4.8
215	2-15/16	21.0	3-5/8	11-3/4	2-7/8	8-1/2	9-1/2	7/8	1-7/16	1-1/16	6-9/16	4	3-5/16	1-15/32	2-5/32	5-31/64	10-31/32	1-3/64	3/16
	75mm	9.3	92.1	298.5	73.0	215.9	241.3	M22	36.5	27.0	166.7	101.6	84.1	37.3	54.8	139.3	278.6	26.6	4.8

FEATURES/BENEFITS PAGE B4-2	NOMENCLATURE PAGE B4-4	SELECTION PAGE B4-5	RELATED PRODUCTS PAGE B4-85
--------------------------------	---------------------------	------------------------	--------------------------------

# SELECTION/DIMENSIONS



## Eccentric Collar Ball Bearings SXRH-E EXPANSION AND SXR NON-EXPANSION NORMAL DUTY PILLOW BLOCKS



Series	Shaft Size	Expansion		Non-Expansion	
		Part Number	Description	Part Number	Description
206	1 1/16	@	P2B-SXRH-101-E	-----	-----
	1 1/8	@	P2B-SXRH-102-E	-----	-----
	1 3/16	<b>126415</b>	P2B-SXRH-103-E	<b>129218</b>	P2B-GTM-103
	1 1/4	@	P2B-SXRH-104S-E	<b>129161</b>	P2B-GT-104
	30mm	@	P2B-SXRH-30M-E	<b>129049</b>	P2B-GTM-30M
207	1 1/4	@	P2B-SXRH-104-E	-----	-----
	1 5/16	@	P2B-SXRH-105-E	-----	-----
	1 3/8	@	P2B-SXRH-106-E	-----	-----
	1 7/16	<b>126416</b>	P2B-SXRH-107-E	<b>129219</b>	P2B-GTM-107
	35mm	@	P2B-SXRH-35M-E	<b>136259</b>	P2B-GTM-35M
209	1 5/8	@	P2B-SXRH-110-E	-----	-----
	1 11/16	@	P2B-SXRH-111-E	<b>129221</b>	P2B-GTM-111
	1 3/4	<b>062500</b>	P2B-SXRH-112-E	<b>129222</b>	P2B-GTM-112
	45mm	@	P2B-SXRH-45M-E	<b>136261</b>	P2B-GTM-45M
210	1 15/16	<b>126417</b>	P2B-SXRH-115-E	<b>129223</b>	P2B-GTM-115
	2	@	P2B-SXRH-200-E	<b>129224</b>	P2B-GTM-200
	50mm	@	P2B-SXRH-50M-E	<b>136262</b>	P2B-GTM-50M
211	2 3/16	<b>126418</b>	P2B-SXRH-203-E	<b>129225</b>	P2B-GTM-203
	55mm	@	P2B-SXRH-55M-E	<b>136263</b>	P2B-GTM-55M
212	2 7/16	<b>126419</b>	P2B-SXRH-207-E	<b>129227</b>	P2B-GTM-207
	60mm	@	P2B-SXRH-60M-E	<b>068071</b>	P2B-GTM-60M

@ Assembled to order

FEATURES/BENEFITS PAGE B4-2	NOMENCLATURE PAGE B4-4	SELECTION PAGE B4-5	RELATED PRODUCTS PAGE B4-85
--------------------------------	---------------------------	------------------------	--------------------------------

# SELECTION/DIMENSIONS



## Eccentric Collar Ball Bearings SXRH-E EXPANSION AND SXR NON-EXPANSION NORMAL DUTY PILLOW BLOCKS

Series	Shaft Size	Weight lbs. kg	A	B	C	D		F Bolt Dia.	G	H
						min.	max.			
206	1-1/16	5.4	1-29/32	6-7/8	2	4-9/16	5-7/16	1/2	1	11/16
	1-1/8	5.3								
	1-3/16	5.2								
	1-1/4	5.1								
	30mm	2.3								
207	1-1/4	7.5	2-1/64	7-15/16	2-1/32	5-1/16	6-5/16	1/2	1-3/16	3/4
	1-5/16	7.4								
	1-3/8	7.3								
	1-7/16	7.2								
	35mm	3.3								
209	1-5/8	9.3	2-7/32	8-1/8	2-3/8	6	6-1/2	5/8	15/16	3/4
	1-11/16	9.2								
	1-3/4	9.1								
	45mm	4.1								
210	1-15/16	11.1	2-15/32	9-1/2	2-1/2	6	7-1/2	5/8	1-7/16	7/8
	2	11.0								
	50mm	5.0	62.7	241.3	63.5	152.4	190.5	M16	36.5	22.2
211	2-3/16	16.3								
	55mm	7.4	71.4	260.4	76.2	168.3	200.0	M16	36.5	27.0
212	2-7/16	21.4								
	60mm	9.7	77.8	285.8	82.6	182.6	223.8	M18	41.3	27.0

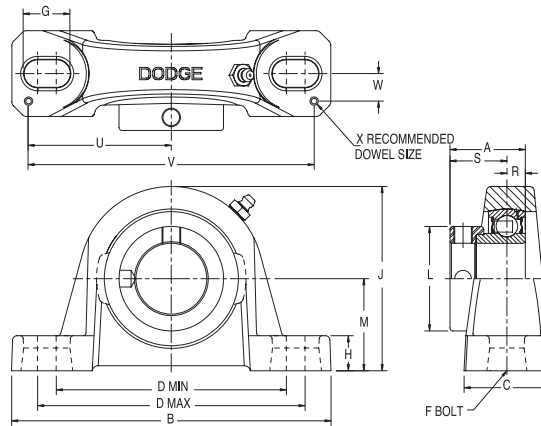
Series	Shaft Size	J	L	M	R	S	T Total Expansion	U	V	W	X
206	1-1/16	3-13/16	1-3/4	1-7/8	23/32	1-3/16	3/16	3-1/8	6-1/4	11/16	3/16
	1-1/8										
	1-3/16										
	1-1/4										
	30mm										
207	1-1/4	4-3/16	1-3/4	2-1/8	23/32	1-3/16	3/16	3-11/16	7-3/8	23/32	3/16
	1-5/16										
	1-3/8										
	1-7/16										
	35mm	106.4	44.5	54.0	18.3	30.2	4.8	93.7	187.3	18.3	4.8
209	1-5/8	4-9/16	2-1/2	2-1/4	27/32	1-3/8	1/4	3-11/16	7-3/8	13/16	3/16
	1-11/16										
	1-3/4										
	45mm	115.9	64.1	57.2	21.4	34.9	6.4	93.7	187.3	20.6	4.8
210	1-15/16	5-3/32	2-3/4	2-1/2	31/32	1-1/2	1/4	4-3/8	8-3/4	7/8	3/16
	2										
	50mm	129.4	69.9	63.5	24.6	38.1	6.4	111.1	222.3	22.2	4.8
211	2-3/16										
	55mm	142.9	76.2	69.9	27.8	43.7	6.4	120.7	241.3	28.6	4.8
212	2-7/16										
	60mm	158.8	84.1	76.2	31.0	46.8	6.4	123.8	247.7	23.8	4.8

FEATURES/BENEFITS PAGE B4-2	NOMENCLATURE PAGE B4-4	SELECTION PAGE B4-5	RELATED PRODUCTS PAGE B4-85
--------------------------------	---------------------------	------------------------	--------------------------------

# SELECTION/DIMENSIONS



## Eccentric Collar Ball Bearings SXV AND SXVU INTERMEDIATE DUTY PILLOW BLOCKS



Series	Shaft Size	Standard		No Lube/Sealed for Life (-NL)	
		Part No.	Description	Part No.	Description
203	1/2	<b>130310</b>	P2B-SXV-008	<b>130276</b>	P2B-SXV-008-NL
	5/8	<b>130311</b>	P2B-SXV-010	@	P2B-SXV-010-NL
	17mm	@	P2B-SXV-17M	@	P2B-SXV-17M-NL
203 (SXVU)	1/2	<b>130324</b>	P2B-SXVU-008	@	P2B-SXVU-008-NL
	5/8	<b>130325</b>	P2B-SXVU-010	@	P2B-SXVU-010-NL
	17mm	<b>125711</b>	P2B-SXVU-17M	@	P2B-SXVU-17M-NL
204	3/4	<b>131970</b>	P2B-SXV-012	<b>131589</b>	P2B-SXV-012-NL
	20mm	<b>125712</b>	P2B-SXV-20M	@	P2B-SXV-20M-NL
205	7/8	<b>131971</b>	P2B-SXV-014	<b>053047</b>	P2B-SXV-014-NL
	15/16	<b>131972</b>	P2B-SXV-015	@	P2B-SXV-015-NL
	1	<b>131973</b>	P2B-SXV-100	<b>131996</b>	P2B-SXV-100-NL
	25mm	<b>125713</b>	P2B-SXV-25M	@	P2B-SXV-25M-NL
206	1-1/16	<b>131974</b>	P2B-SXV-101	@	P2B-SXV-101-NL
	1-1/8	<b>131975</b>	P2B-SXV-102	@	P2B-SXV-102-NL
	1-3/16	<b>131976</b>	P2B-SXV-103	@	P2B-SXV-103-NL
	1-1/4	<b>131977</b>	P2B-SXV-104S	@	P2B-SXV-104S-NL
206 (SXVU)	30mm	@	P2B-SXV-30M	@	P2B-SXV-30M-NL
	1-1/16	<b>131082</b>	P2B-SXVU-101	@	P2B-SXVU-101-NL
	1-1/8	<b>131083</b>	P2B-SXVU-102	@	P2B-SXVU-102-NL
	1-3/16	<b>131084</b>	P2B-SXVU-103	<b>053008</b>	P2B-SXVU-103-NL
	1-1/4	<b>131085</b>	P2B-SXVU-104S	<b>053042</b>	P2B-SXVU-104S-NL
207	30mm	<b>125714</b>	P2B-SXVU-30M	@	P2B-SXVU-30M-NL
	1-1/4	<b>131978</b>	P2B-SXV-104	@	P2B-SXV-104-NL
	1-5/16	<b>131979</b>	P2B-SXV-105	@	P2B-SXV-105-NL
	1-3/8	<b>131980</b>	P2B-SXV-106	@	P2B-SXV-106-NL
	1-7/16	<b>131981</b>	P2B-SXV-107	<b>058275</b>	P2B-SXV-107-NL
	35mm	<b>125715</b>	P2B-SXV-35M	@	P2B-SXV-35M-NL

@ Assembled to order

FEATURES/BENEFITS PAGE B4-2	NOMENCLATURE PAGE B4-4	SELECTION PAGE B4-5	RELATED PRODUCTS PAGE B4-85
--------------------------------	---------------------------	------------------------	--------------------------------

# SELECTION/DIMENSIONS



## Eccentric Collar Ball Bearings SXV AND SXVU INTERMEDIATE DUTY PILLOW BLOCKS

Bearing Quick Reference

E-Z KLEEN

GRIP TIGHT Adapter Ball Bearing

Set Screw Ball Bearing

Eccentric Collar Ball Bearing

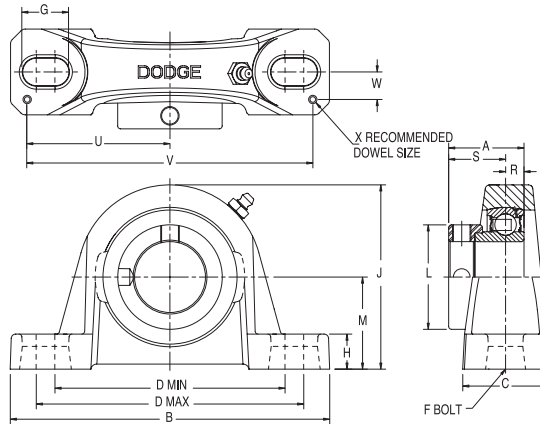
Series	Shaft Size	Weight lbs. kg.	A	B	C	D		F Bolt Dia.	G	H	J	L	M	R	S	U	V	W	X
						min.	max.												
203	1/2	1.2	1-1/8	5	1-13/64	3-1/4	4-1/16	3/8	27/32	15/32	2-9/64	1-1/8	1-1/16	1/4	7/8	2-1/4	4-1/2	3/8	1/8
	5/8	1.1																	
	17mm	0.5	28.6	127.0	30.6	82.6	103.2	M10	21.4	11.9	54.4	28.6	27.0	6.4	22.2	57.2	114.3	9.5	3.2
203 (SXVU)	1/2	1.4	1-1/8	5	1-13/64	3-1/4	4-1/16	3/8	27/32	19/32	2-17/64	1-1/8	1-3/16	1/4	7/8	2-1/4	4-1/2	3/8	1/8
	5/8	1.2																	
	17mm	0.6	28.6	127.0	30.6	82.6	103.2	M10	21.4	15.1	57.5	28.6	30.2	6.4	22.2	57.2	114.3	9.5	3.2
204	3/4	1.4	1-7/32	5-1/4	1-21/64	3-3/8	4-3/16	3/8	27/32	17/32	2-1/16	1-5/16	1-5/16	19/64	59/64	2-1/4	4-1/2	1/2	1/8
	20mm	0.6	31.0	133.4	33.7	85.7	106.4	M10	21.4	13.5	65.1	33.3	33.3	7.5	23.4	57.2	114.3	12.7	3.2
205	7/8	1.9	1-7/32	5-1/2	1-13/32	3-11/16	4-1/2	3/8	27/32	37/64	2-25/32	1-1/2	1-7/16	29/64	49/64	2-1/2	5	1/2	3/16
	15/16	1.8																	
	1	1.7																	
206	25mm	0.8	31.0	139.7	35.7	93.7	114.3	M10	21.4	14.7	70.6	38.1	36.5	11.5	19.4	63.5	127.0	12.7	4.8
	1-1/16	2.9	1-13/32	6-1/4	1-47/64	4-1/4	5	1/2	15/16	11/16	3-1/4	1-3/4	1-5/8	23/64	1-3/64	2-7/8	5-3/4	9/16	3/16
	1-1/8	2.8																	
	1-3/16	2.7																	
206 (SXVU)	1-1/4	2.6																	
	30mm	1.2	35.7	158.8	44.1	108.0	127.0	M12	23.8	17.5	82.6	44.5	41.3	9.1	26.7	73.0	146.1	14.3	4.8
	1-1/16	3.0	1-13/32	6-1/4	1-47/64	4-1/4	5	1/2	15/16	3/4	3-5/16	1-3/4	1-11/16	23/64	1-3/64	2-7/8	5-3/4	9/16	3/16
	1-1/8	2.9																	
207	1-3/16	2.8																	
	1-1/4	2.7																	
	1-1/4	2.6																	
	30mm	1.2	35.7	158.8	44.1	108.0	127.0	M12	23.8	19.1	84.1	44.5	42.9	9.1	26.7	73.0	146.1	14.3	4.8
	1-1/16	3.0	1-13/32	6-1/4	1-47/64	4-1/4	5	1/2	15/16	3/4	3-5/16	1-3/4	1-11/16	23/64	1-3/64	2-7/8	5-3/4	9/16	3/16
207	1-1/4	4.4	1-17/32	6-1/2	1-47/64	4-11/16	5-7/16	1/2	15/16	23/32	3-3/4	2-1/8	1-7/8	3/8	1-5/32	2-29/35	5-13/16	9/16	3/16
	1-5/16	4.3																	
	1-3/8	4.3																	
	1-7/16	4.2																	
	35mm	1.9	38.9	165.1	44.1	119.1	138.1	M12	23.8	18.3	95.3	54.0	47.6	9.5	29.4	73.8	147.6	14.3	4.8

FEATURES/BENEFITS PAGE B4-2	NOMENCLATURE PAGE B4-4	SELECTION PAGE B4-5	RELATED PRODUCTS PAGE B4-85
--------------------------------	---------------------------	------------------------	--------------------------------

# SELECTION/DIMENSIONS



## Eccentric Collar Ball Bearings SXV AND SXVU INTERMEDIATE DUTY PILLOW BLOCKS



Series	Shaft Size	Standard		No Lube/Sealed for Life (-NL)	
		Part No.	Description	Part No.	Description
208	1-1/2 40mm	<b>131982</b>	P2B-SXV-108	@	P2B-SXV-108-NL
		@	P2B-SXV-40M	@	P2B-SXV-40M-NL
209	1-11/16 1-3/4 45mm	<b>130312</b>	P2B-SXV-111	@	P2B-SXV-111-NL
		<b>130313</b>	P2B-SXV-112	@	P2B-SXV-112-NL
		<b>125717</b>	P2B-SXV-45M	@	P2B-SXV-45M-NL
210	1-15/16 2 50mm	<b>130314</b>	P2B-SXV-115	@	P2B-SXV-115-NL
		<b>130315</b>	P2B-SXV-200	<b>065636</b>	P2B-SXV-200-NL
		<b>125718</b>	P2B-SXV-50M	@	P2B-SXV-50-NL
211	2 2-3/16 55mm	<b>130316</b>	P2B-SXV-200L	@	P2B-SXV-200L-NL
		<b>130317</b>	P2B-SXV-203	@	P2B-SXV-203-NL
		<b>125719</b>	P2B-SXV-55M	@	P2B-SXV-55M-NL

@ Assembled to order

FEATURES/BENEFITS PAGE B4-2	NOMENCLATURE PAGE B4-4	SELECTION PAGE B4-5	RELATED PRODUCTS PAGE B4-85
--------------------------------	---------------------------	------------------------	--------------------------------

# SELECTION/DIMENSIONS



## Eccentric Collar Ball Bearings SXV AND SXVU INTERMEDIATE DUTY PILLOW BLOCKS

Bearing Quick Reference

E-Z KLEEN

GRIP TIGHT Adapter Ball Bearing

Set Screw Ball Bearing

Eccentric Collar Ball Bearing

Series	Shaft Size	Weight lbs. kg.	A	B	C	D		F Bolt Dia.	G	H	J	L	M	R	S	U	V	W	X
						min.	max.												
208	1-1/2	5.1	1-23/32	7-1/4	1-15/16	5-3/16	5-7/8	1/2	29/32	15/16	4-3/16	2-3/8	2-1/8	7/16	1-9/32	3-17/64	6-17/32	11/16	3/16
	40mm	2.3	43.7	184.2	49.2	131.8	149.2	M12	23.0	23.8	106.4	60.3	54.0	11.1	32.5	82.9	165.9	17.5	4.8
209	1-11/16	5.5	1-23/32	7-7/16	2	5-1/2	6-3/8	1/2	29/32	3/4	4-9/32	2-1/2	2-1/8	7/16	1-9/32	3-3/8	6-3/4	11/16	3/16
	1-3/4	5.4																	
	45mm	2.5	43.7	188.9	50.8	139.7	161.9	M12	23.0	19.1	108.7	63.5	54.0	11.1	32.5	85.7	171.5	17.5	4.8
210	1-15/16	5.8	1-23/32	8-1/8	2-1/4	6	6-11/16	5/8	1-1/16	3/4	4-17/32	2-3/4	2-1/4	7/16	1-9/32	3-11/16	7-3/8	13/16	3/16
	2	5.7																	
	50mm	2.6	43.7	206.4	57.2	152.4	169.9	M16	22.0	19.1	115.1	69.9	57.2	11.1	32.5	93.7	187.3	20.6	4.8
211	2	7.9	1-29/32	8-7/8	2-5/16	6-3/8	7-7/16	5/8	1-7/32	7/8	4-31/32	3	2-1/2	15/32	1-7/16	3-15/16	7-7/8	13/16	3/16
	2-3/16	7.6																	
	50mm	3.5	48.4	225.4	58.7	161.9	188.9	M16	31.0	22.2	126.2	76.2	63.5	11.9	36.5	100.0	200.0	20.6	4.8

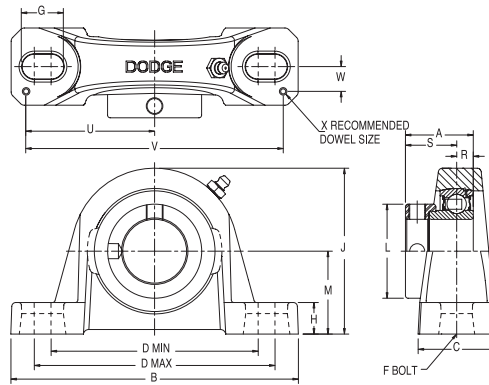
FEATURES/BENEFITS PAGE B4-2	NOMENCLATURE PAGE B4-4	SELECTION PAGE B4-5	RELATED PRODUCTS PAGE B4-85
--------------------------------	---------------------------	------------------------	--------------------------------

# SELECTION/DIMENSIONS

# DODGE®



## Eccentric Collar Ball Bearings SXVB INTERMEDIATE DUTY PILLOW BLOCKS



Series	Shaft Size	Standard	
		Part No.	Description
203 (SXV)	1/2	<b>130310</b>	P2B-SXV-008
	5/8	<b>130311</b>	P2B-SXV-010
	17mm	@	P2B-SXV-17M
204	3/4	<b>131983</b>	P2B-SXVB-012
	20mm	@	P2B-SXVB-20M
205	7/8	<b>131984</b>	P2B-SXVB-014
	15/16	<b>131985</b>	P2B-SXVB-015
	1	<b>131986</b>	P2B-SXVB-100
	25mm	@	P2B-SXVB-25M
206	1-1/16	<b>131987</b>	P2B-SXVB-101
	1-1/8	<b>131988</b>	P2B-SXVB-102
	1-3/16	<b>131989</b>	P2B-SXVB-103
	1-1/4	<b>131990</b>	P2B-SXVB-104S
	30mm	<b>056830</b>	P2B-SXVB-30M
207	1-1/4	<b>131991</b>	P2B-SXVB-104
	1-5/16	<b>131992</b>	P2B-SXVB-105
	1-3/8	<b>131993</b>	P2B-SXVB-106
	1-7/16	<b>131994</b>	P2B-SXVB-107
208	35mm	<b>068864</b>	P2B-SXVB-35M
	1-1/2	<b>131995</b>	P2B-SXVB-108
209	40mm	<b>125716</b>	P2B-SXVB-40M
	1-11/16	<b>130318</b>	P2B-SXVB-111
	1-3/4	<b>130319</b>	P2B-SXVB-112
210	45mm	@	P2B-SXVB-45M
	1-15/16	<b>130320</b>	P2B-SXVB-115
	2	<b>130321</b>	P2B-SXVB-200
211	50mm	@	P2B-SXVB-50M
	2	<b>130322</b>	P2B-SXVB-200L
	2-3/16	<b>130323</b>	P2B-SXVB-203
	55mm	@	P2B-SXVB-55M

@ Assembled to order

FEATURES/BENEFITS  
PAGE B4-2

NOMENCLATURE  
PAGE B4-4

SELECTION  
PAGE B4-5

RELATED PRODUCTS  
PAGE B4-85



# SELECTION/DIMENSIONS



## Eccentric Collar Ball Bearings SXVB INTERMEDIATE DUTY PILLOW BLOCKS

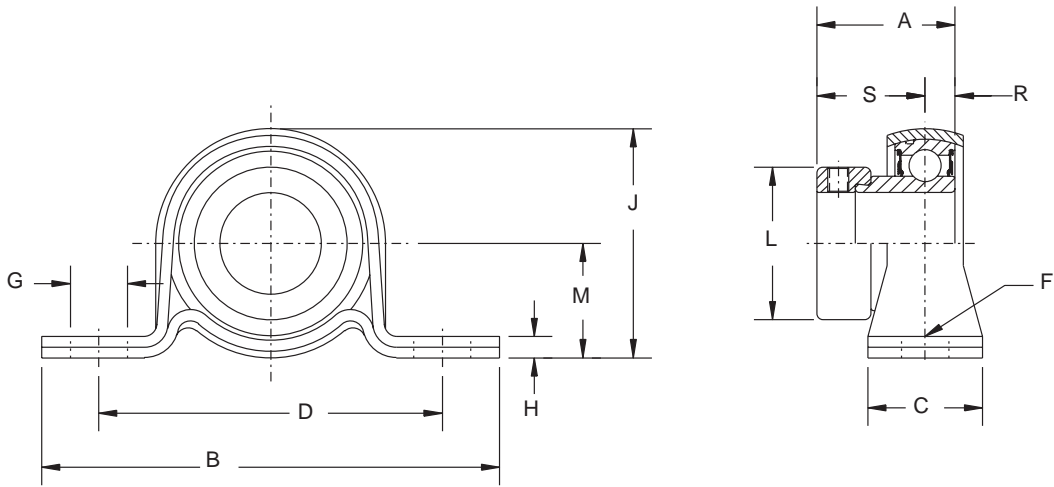
Series	Shaft Size	Weight lbs. kg.	A	B	C	D		F Bolt Dia.	G	H	J	L	M	R	S	U	V	W	X	
						min.	max.													
203 (SXV)	1/2	1.1	1-1/8	5	1-13/64	3-1/4	4-1/16	3/8	27/32	15/32	2-17/64	1-1/8	1-1/16	1/4	7/8	2-1/4	4-1/2	3/8	1/8	
	5/8	1.0																		
	17mm	0.5	28.6	127.0	30.6	82.6	103.2	M10	21.4	11.9	54.4	28.6	27.0	6.4	22.2	57.2	114.3	9.5	3.2	
204	3/4	1.3	1-7/32	5-1/4	1-21/64	3-3/8	4-3/16	3/8	27/32	29/64	2-1/2	1-5/16	1-1/4	19/64	59/64	2-1/4	4-1/2	1/2	1/8	
	20mm	0.6	31.0	133.4	33.7	85.7	106.4	M10	21.4	11.5	63.5	33.3	31.8	7.5	23.5	57.2	114.3	12.7	3.2	
205	7/8	1.8	1-7/32	5-1/2	1-13/32	3-11/16	4-1/2	3/8	27/32	29/64	2-21/32	1-1/2	1-5/16	29/64	49/64	2-1/2	5	1/2	3/16	
	15/16	1.7																		
	1	1.6																		
206	25mm	0.7	31.0	139.7	35.7	93.7	114.3	M10	21.4	11.5	67.5	38.1	33.3	11.5	19.4	63.5	127.0	12.7	4.8	
	1-1/16	2.8	1-13/32	6-1/4	1-47/64	4-1/4	5	1/2	15/16	5/8	3-3/16	1-3/4	1-9/16	23/64	1-3/64	2-7/8	5-3/4	9/16	3/16	
	1-1/8	2.7																		
	1-3/16	2.6																		
207	1-1/4	2.5																		
	1-1/4	4.3	1-17/32	6-1/2	1-47/64	4-11/16	5-7/16	1/2	15/16	41/64	3-11/16	2-1/8	1-13/16	3/8	1-5/32	2-29/32	5-13/16	9/16	3/16	
	1-5/16	4.2																		
	1-3/8	4.2																		
	1-7/16	4.1																		
208	30mm	1.2	35.7	158.8	44.1	108.0	127.0	M12	23.8	15.9	81.0	44.5	39.7	9.1	26.7	73.0	146.1	14.3	4.8	
	1-1/4	4.3	1-17/32	6-1/2	1-47/64	4-11/16	5-7/16	1/2	15/16	41/64	3-11/16	2-1/8	1-13/16	3/8	1-5/32	2-29/32	5-13/16	9/16	3/16	
209	1-1/2	5.0	1-23/32	7-1/4	1-15/16	5-3/16	5-7/8	1/2	29/32	3/4	4	2-3/8	1-15/16	7/16	1-9/32	3-17/64	6-17/32	11/16	3/16	
	40mm	2.2	43.7	184.2	49.2	131.8	149.2	M12	23.0	19.1	101.6	60.3	49.2	11.0	32.5	82.9	165.9	17.5	4.8	
	1-11/16	5.4	1-23/32	7-7/16	2	5-1/2	6-3/8	1/2	29/32	11/16	4-7/32	2-1/2	2-1/16	7/16	1-9/32	3-3/8	6-3/4	11/16	3/16	
210	1-3/4	5.3																		
	45mm	2.4	43.7	188.9	50.8	139.7	161.9	M12	23.0	17.5	107.2	63.5	52.4	11.1	32.5	85.7	171.5	17.5	4.8	
	1-15/16	5.7	1-23/32	8-1/8	2-1/4	6	6-11/16	5/8	1-1/64	11/16	4-15/32	2-3/4	2-3/16	7/16	1-9/32	3-11/16	7-3/8	13/16	3/16	
211	2	5.6																		
	50mm	2.5	43.7	206.4	57.2	152.4	169.9	M16	25.8	17.5	113.5	69.9	55.6	11.1	32.5	93.7	187.3	20.6	4.8	
	2	7.8	1-29/32	8-7/8	2-5/16	6-3/8	7-7/16	5/8	1-7/32	13/16	4-29/32	3	2-7/16	15/32	1-7/16	3-15/16	7-7/8	13/16	3/16	
211	2-3/16	7.5																		
	55mm	3.4	48.4	225.4	58.7	161.9	188.9	M16	31.0	20.6	124.6	76.2	61.9	11.9	36.5	100.0	200.0	20.6	4.8	

FEATURES/BENEFITS PAGE B4-2	NOMENCLATURE PAGE B4-4	SELECTION PAGE B4-5	RELATED PRODUCTS PAGE B4-85
--------------------------------	---------------------------	------------------------	--------------------------------

# SELECTION/DIMENSIONS



## Eccentric Collar Ball Bearings SLX LIGHT DUTY PILLOW BLOCKS



Series	Shaft Size	Part No.	Description
203	1/2	@	P2B-SLX-008
	5/8	<b>052932</b>	P2B-SLX-010
204	17mm	@	<i>P2B-SLX-17M</i>
	3/4	<b>128130</b>	P2B-SLX-012
205	20mm	@	<i>P2B-SLX-20M</i>
	7/8	<b>128131</b>	P2B-SLX-014
206	15/16	<b>128132</b>	P2B-SLX-015
	1	<b>128133</b>	P2B-SLX-100
207	25mm	@	<i>P2B-SLX-25M</i>
	1-1/8	<b>128134</b>	P2B-SLX-102
207	1-3/16	<b>128135</b>	P2B-SLX-103
	1-1/4	<b>128136</b>	P2B-SLX-104S
207	30mm	@	<i>P2B-SLX-30M</i>
	1-1/4	<b>128183</b>	P2B-SLX-104
207	1-3/8	<b>128184</b>	P2B-SLX-106
	1-7/16	<b>128185</b>	P2B-SLX-107
	35mm	@	<i>P2B-SLX-35M</i>

@ Assembled to order.

FEATURES/BENEFITS PAGE B4-2	NOMENCLATURE PAGE B4-4	SELECTION PAGE B4-5	RELATED PRODUCTS PAGE B4-85
--------------------------------	---------------------------	------------------------	--------------------------------

# SELECTION/DIMENSIONS



## Eccentric Collar Ball Bearings SLX LIGHT DUTY PILLOW BLOCKS

Bearing Quick Reference

E-Z KLEEN

GRIP TIGHT Adapter Ball Bearing

Set Screw Ball Bearing

Eccentric Collar Ball Bearing

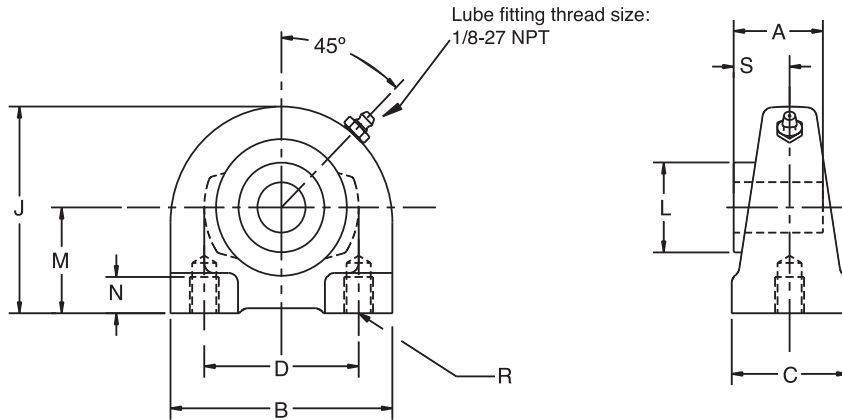
Series	Shaft Size	Weight lbs kg	A	B	C	D	F Bolt Dia.	G	H	J	L	M	R	S	Housing Radial Load Rating (lbs)
203	1/2	0.52	1-1/8	3-5/8	1	2-11/16	1/4	11/32	1/8	1-11/16	1-1/8	27/32	1/4	7/8	250
	5/8 17mm	0.50 .23	28.6	92.1	25.4	68.3	M6	8.7	3.2	42.9	28.6	21.4	6.4	22.2	1,112
204	3/4	0.61	1-7/32	4-1/8	1	3	3/8	1/2	3/16	2-1/16	1-5/16	1	19/64	59/64	350
	20mm	.27	31.0	104.8	25.4	76.2	M10	12.7	4.8	52.4	33.3	25.4	7.5	23.4	1,556
205	7/8	0.79	1-7/32	4-1/2	1-1/8	3-3/8	3/8	9/16	13/64	2-7/32	1-1/2	1-1/8	19/64	59/64	400
	15/16	0.76													
	1 25mm	0.73 .34	31.0	114.3	28.6	85.7	M10	14.3	5.2	56.4	38.1	28.6	7.5	23.4	1,779
206	1-1/8	1.14	1-13/32	4-7/8	1-1/8	3-3/4	3/8	9/16	15/64	2-5/8	1-3/4	1-5/16	23/64	1-3/64	600
	1-3/16	1.12													
	1-1/4	1.10													
	30mm	.50	35.7	123.8	28.6	95.3	M10	14.3	6.0	66.7	44.5	33.3	9.1	26.7	2,668
207	1-1/4	1.54	1-17/32	5-3/4	1-1/4	4-1/4	1/2	3/4	15/64	3-1/8	2-1/8	1-9/16	3/8	1-5/32	800
	1-3/8	1.50													
	1-7/16	1.48													
	35mm	.67	38.9	146.1	31.8	108.0	M12	19.1	6.0	79.4	54.0	39.7	9.5	29.4	3,557

FEATURES/BENEFITS PAGE B4-2	NOMENCLATURE PAGE B4-4	SELECTION PAGE B4-5	RELATED PRODUCTS PAGE B4-85
--------------------------------	---------------------------	------------------------	--------------------------------

# SELECTION/DIMENSIONS



## Eccentric Collar Ball Bearings SXR NORMAL DUTY TAPPED BASE PILLOW BLOCKS



Series	Shaft Size	Part No.	Description
204	3/4	<b>053219</b>	TB-SXR-012
	20mm	<b>053411</b>	TB-SXR-20M
205	7/8	@	TB-SXR-014
	15/16	@	TB-SXR-015
	1	<b>051885</b>	TB-SXR-100
	25mm	<b>053412</b>	TB-SXR-25M
206	1-1/16	@	TB-SXR-101
	1-1/8	<b>053339</b>	TB-SXR-102
	1-3/16	<b>057692</b>	TB-SXR-103
	1-1/4	<b>067926</b>	TB-SXR-104S
	30mm	<b>053413</b>	TB-SXR-30M
207	1-1/4	<b>062307</b>	TB-SXR-104
	1-5/16	@	TB-SXR-105
	1-3/8	<b>064536</b>	TB-SXR-106
	1-7/16	<b>049802</b>	TB-SXR-107
	35mm	<b>053414</b>	TB-SXR-35M
208	1-1/2	<b>064910</b>	TB-SXR-108
	40mm	<b>053415</b>	TB-SXR-40M
209	1-5/8	@	TB-SXR-110
	1-11/16	<b>068118</b>	TB-SXR-111
	1-3/4	<b>049787</b>	TB-SXR-112
210	45mm	<b>053416</b>	TB-SXR-45M
	1-15/16	<b>049803</b>	TB-SXR-115
	2	@	TB-SXR-200
211	50mm	<b>053417</b>	TB-SXR-50M
	2	@	TB-SXR-200L
	2-3/16	@	TB-SXR-203
	55mm	<b>053418</b>	TB-SXR-55M

@ Assembled to order.

FEATURES/BENEFITS PAGE B4-2	NOMENCLATURE PAGE B4-4	SELECTION PAGE B4-5	RELATED PRODUCTS PAGE B4-85
--------------------------------	---------------------------	------------------------	--------------------------------

# SELECTION/DIMENSIONS



## Eccentric Collar Ball Bearings SXR NORMAL DUTY TAPPED BASE PILLOW BLOCKS

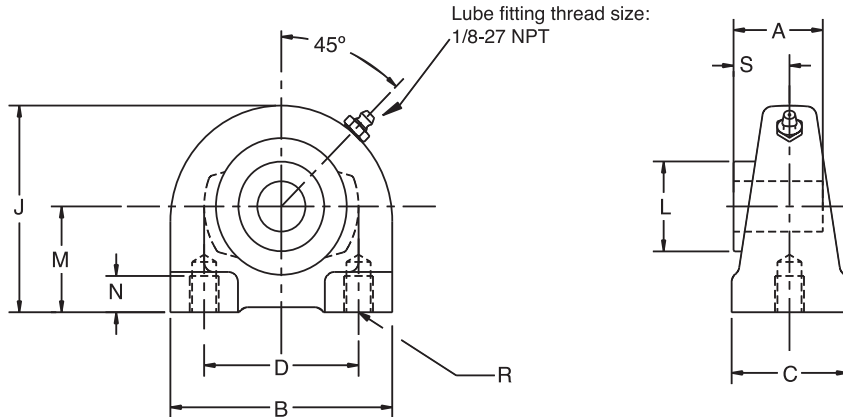
Series	Shaft Size	Weight lbs. kg	A	B	C	D	J	L	M	N Min. Tap Depth	R Bolt Hole UNC- Thread	S
204	3/4	1.5	1-23/32	2-7/8	1-1/2	2	2-1/16	1-5/16	1-5/16	1/2	3/8-16	1-3/64
	20mm	0.6	43.7	73.0	38.1	50.8	65.1	33.3	33.3	12.7	M8 x 1.25	26.6
205	7/8	2.2	1-3/4	3	1-1/2	2	2-13/16	1-1/2	1-7/16	1/2	3/8-16	1-1/16
	15/16	2.1										
	1	2.0										
	25mm	0.8	44.5	76.2	38.1	50.8	71.4	38.1	36.5	12.7	M10 x 1.5	27.0
206	1-1/16	3.2	1-29/32	4	1-1/2	3	3-3/8	1-3/4	1-11/16	5/8	7/16-14	1-3/16
	1-1/8	3.0										
	1-3/16	2.8										
	1-1/4	2.6										
	30mm	1.1	48.4	101.6	38.1	76.2	85.7	44.5	42.9	15.9	M10 x 1.5	30.2
207	1-1/4	4.4	2-1/64	4-1/4	1-7/8	3-1/4	3-3/4	2-1/8	1-7/8	3/4	1/2-13	1-9/32
	1-5/16	4.2										
	1-3/8	4.0										
	1-7/16	3.8										
	35mm	1.4	51.2	108.0	47.6	82.6	95.3	54.0	47.6	19.1	M10 x 1.5	32.5
208	1-1/2	4.8	2-7/32	4-5/8	1-7/8	3-1/2	3-15/16	2-3/8	1-15/16	3/4	1/2-13	1-3/8
	40mm	1.8	56.4	117.5	47.6	88.9	100.0	60.3	49.2	19.1	M12 x 1.75	34.9
209	1-5/8	5.9	2-7/32	5	2	3-3/4	4-1/4	2-1/2	2-1/8	3/4	1/2-13	1-3/8
	1-11/16	5.7										
	1-3/4	5.5										
	45mm	2.1	56.4	127.0	50.8	95.3	108.0	63.5	54.0	19.1	M12 x 1.75	34.9
210	1-15/16	6.5	2-15/32	5-1/2	2	4	4-5/8	2-3/4	2-1/4	7/8	5/8-11	1-1/2
	2	6.3										
211	50mm	2.4	62.7	139.7	50.8	101.6	117.5	69.9	57.2	22.2	M16 x 2	38.1
	2	9.2	2-13/16	5-1/2	2	4	4-5/8	3	2-1/4	7/8	5/8-11	1-23/32
	2-3/16	9.0										
	55mm	3.3	71.4	139.7	50.8	101.6	117.5	76.2	57.2	22.2	M16 x 2	43.7

FEATURES/BENEFITS PAGE B4-2	NOMENCLATURE PAGE B4-4	SELECTION PAGE B4-5	RELATED PRODUCTS PAGE B4-85
--------------------------------	---------------------------	------------------------	--------------------------------

# SELECTION/DIMENSIONS



## Eccentric Collar Ball Bearings SXV INTERMEDIATE DUTY TAPPED BASE PILLOW BLOCKS



Series	Shaft Size	Part No.	Description
204	3/4	@	TB-SXV-012
	20mm	<b>130769</b>	<i>TB-SXV-20M</i>
205	7/8	@	TB-SXV-014
	15/16	@	TB-SXV-015
	1	<b>124474</b>	TB-SXV-100
	25mm	<b>130770</b>	<i>TB-SXV-25M</i>
206	1-1/16	@	TB-SXV-101
	1-1/8	@	TB-SXV-102
	1-3/16	@	TB-SXV-103
	1-1/4	@	TB-SXV-104S
	30mm	<b>130771</b>	<i>TB-SXV-30M</i>
207	1-1/4	@	TB-SXV-104
	1-5/16	@	TB-SXV-105
	1-3/8	@	TB-SXV-106
	1-7/16	@	TB-SXV-107
208	35mm	<b>130772</b>	<i>TB-SXV-35M</i>
	1-1/2	<b>068747</b>	TB-SXV-108
209	40mm	<b>130773</b>	<i>TB-SXV-40M</i>
	1-11/16	<b>068400</b>	TB-SXV-111
	1-3/4	@	TB-SXV-112
210	45mm	<b>130774</b>	<i>TB-SXV-45M</i>
	1-15/16	@	TB-SXV-115
	2	@	TB-SXV-200
211	50mm	<b>130775</b>	<i>TB-SXV-50M</i>
	2	@	TB-SXV-200L
	2-3/16	<b>064483</b>	TB-SXV-203
	55mm	@	<i>TB-SXV-55M</i>

@ Assemble to order

FEATURES/BENEFITS PAGE B4-2	NOMENCLATURE PAGE B4-4	SELECTION PAGE B4-5	RELATED PRODUCTS PAGE B4-85
--------------------------------	---------------------------	------------------------	--------------------------------

# SELECTION/DIMENSIONS



## Eccentric Collar Ball Bearings SXV INTERMEDIATE DUTY TAPPED BASE PILLOW BLOCKS

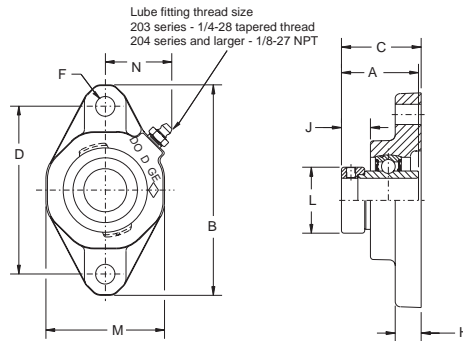
Series	Shaft Size	Weight lbs. kg	A	B	C	D	J	L	M	N Min. Tap Depth	R Bolt Hole UNC-Thread	S
204	3/4 20mm	1.5 0.6	1-7/32 31.0	2-7/8 73.0	1-1/2 38.1	2 50.8	2-1/16 65.1	1-5/16 33.3	1-5/16 33.3	1/2 12.7	3/8-16 M8 x 1.25	59/64 23.54
	7/8 15/16 1 25mm	2.2 2.1 2.0 0.8	1-7/32 31.0	3 76.2	1-1/2 38.1	2 50.8	2-13/16 71.4	1-1/2 38.1	1-7/16 36.5	1/2 12.7	3/8-16 M10 x 1.5	49/64 19.4
206	1-1/16	3.2	1-13/32	4	1-1/2	3	3-3/8	1-3/4	1-11/16	5/8	7/16-14	1-3/64
	1-1/8	3.0										
	1-3/16	2.8										
	1-1/4 30mm	2.6 1.1	35.7	101.6	38.1	76.2	85.7	44.5	42.9	15.9	M10 x 1.5	26.7
207	1-1/4	4.4	1-17/32	4-1/4	1-7/8	3-1/4	3-3/4	2-1/8	1-7/8	3/4	1/2-13	1-5/32
	1-5/16	4.2										
	1-3/8	4.0										
	1-7/16 35mm	3.8 1.4	38.9	108.0	47.6	82.6	95.3	54.0	47.6	19.1	M10 x 1.5	29.4
208	1-1/2 40mm	4.8 1.8	1-23/32 43.7	4-5/8 117.5	1-7/8 47.6	3-1/2 88.9	3-15/16 100.0	2-3/8 60.3	1-15/16 49.2	3/4 19.1	1/2-13 M12 x 1.75	1-9/32 32.5
	1-11/16 1-3/4 45mm	5.7 5.5 2.1	1-23/32 43.7	5 127.0	2 50.8	3-3/4 95.3	4-1/4 108.0	2-7/32 56.4	2-1/8 54.0	3/4 19.1	1/2-13 M12 x 1.75	1-9/32 32.5
210	1-15/16 2 50mm	6.5 6.3 2.4	1-23/32 43.7	5-1/2 139.7	2 50.8	4 101.6	4-5/8 117.5	2-3/4 69.9	2-1/4 57.2	7/8 22.2	5/8-11 M16 x 2	1-9/32 32.5
	2 2-3/16 55mm	9.2 9.0 3.3	1-29/32 48.4	5-1/2 139.7	2 50.8	4 101.6	4-5/8 117.5	3 76.2	2-1/4 57.2	7/8 22.2	5/8-11 M16 x 2	1-7/16 36.5

FEATURES/BENEFITS PAGE B4-2	NOMENCLATURE PAGE B4-4	SELECTION PAGE B4-5	RELATED PRODUCTS PAGE B4-85
--------------------------------	---------------------------	------------------------	--------------------------------

# SELECTION/DIMENSIONS



## Eccentric Collar Ball Bearings SXR NORMAL DUTY 2-BOLT FLANGE BEARINGS



Series	Shaft Size	Standard		No Lube/Sealed for Life (-NL)		With Flingers	
		Part No.	Description	Part No.	Description	Part No.	Description
203	1/2	<b>131050</b>	F2B-SXR-008	@	F2B-SXR-008-NL	@	F2B-SXR-008-FF
	5/8	<b>131052</b>	F2B-SXR-010	<b>131079</b>	F2B-SXR-010-NL	@	F2B-SXR-010-FF
	17mm	<b>125677</b>	F2B-SXR-17M	@	F2B-SXR-17M-NL	@	F2B-SXR-17M-FF
204	3/4	<b>131054</b>	F2B-SXR-012	@	F2B-SXR-012-NL	@	F2B-SXR-012-FF
	20mm	<b>125678</b>	F2B-SXR-20M	@	F2B-SXR-20M-NL	@	F2B-SXR-20M-FF
205	7/8	<b>131056</b>	F2B-SXR-014	@	F2B-SXR-014-NL	@	F2B-SXR-014-FF
	15/16	<b>131057</b>	F2B-SXR-015	@	F2B-SXR-015-NL	@	F2B-SXR-015-FF
	1	<b>131058</b>	F2B-SXR-100	@	F2B-SXR-100-NL	<b>050951</b>	F2B-SXR-100-FF
	25mm	<b>125679</b>	F2B-SXR-25M	@	F2B-SXR-25M-NL	@	F2B-SXR-25M-FF
206	1-1/16	<b>131059</b>	F2B-SXR-101	@	F2B-SXR-101-NL	@	F2B-SXR-101-FF
	1-1/8	<b>131060</b>	F2B-SXR-102	@	F2B-SXR-102-NL	@	F2B-SXR-102-FF
	1-3/16	<b>131061</b>	F2B-SXR-103	<b>065635</b>	F2B-SXR-103-NL	<b>053617</b>	F2B-SXR-103-FF
	1-1/4	<b>049879</b>	F2B-SXR-104S	<b>068866</b>	F2B-SXR-104S-NL	@	F2B-SXR-104S-FF
	30mm	<b>125680</b>	F2B-SXR-30M	@	F2B-SXR-30M-NL	@	F2B-SXR-30M-FF
207	1-1/4	<b>131063</b>	F2B-SXR-104	@	F2B-SXR-104-NL	<b>130880</b>	F2B-SXR-104-FF
	1-5/16	<b>131064</b>	F2B-SXR-105	@	F2B-SXR-105-NL	@	F2B-SXR-105-FF
	1-3/8	<b>131065</b>	F2B-SXR-106	@	F2B-SXR-106-NL	<b>068213</b>	F2B-SXR-106-FF
	1-7/16	<b>131066</b>	F2B-SXR-107	<b>050839</b>	F2B-SXR-107-NL	<b>053326</b>	F2B-SXR-107-FF
	35mm	<b>125681</b>	F2B-SXR-35M	@	F2B-SXR-35M-NL	@	F2B-SXR-35M-FF
208	1-1/2	<b>131067</b>	F2B-SXR-108	@	F2B-SXR-108-NL	<b>068214</b>	F2B-SXR-108-FF
	40mm	<b>125682</b>	F2B-SXR-40M	@	F2B-SXR-40M-NL	@	F2B-SXR-40M-FF
209	1-5/8	<b>131070</b>	F2B-SXR-110	@	F2B-SXR-110-NL	@	F2B-SXR-110-FF
	1-11/16	<b>131071</b>	F2B-SXR-111	<b>052729</b>	F2B-SXR-111-NL	@	F2B-SXR-111-FF
	1-3/4	<b>131072</b>	F2B-SXR-112	@	F2B-SXR-112-NL	<b>068215</b>	F2B-SXR-112-FF
	45mm	<b>125683</b>	F2B-SXR-45M	@	F2B-SXR-45M-NL	@	F2B-SXR-45M-FF
210	1-15/16	<b>131075</b>	F2B-SXR-115	<b>056784</b>	F2B-SXR-115-NL	@	F2B-SXR-115-FF
	2	<b>131077</b>	F2B-SXR-200	@	F2B-SXR-200-NL	@	F2B-SXR-200-FF
	50mm	<b>125684</b>	F2B-SXR-50M	@	F2B-SXR-50M-NL	@	F2B-SXR-50M-FF
211	2	@	F2B-SXR-200L	@	F2B-SXR-200L-NL	@	F2B-SXR-200L-FF
	2-3/16	<b>131074</b>	F2B-SXR-203	@	F2B-SXR-203-NL	<b>068216</b>	F2B-SXR-203-FF
	55mm	<b>056862</b>	F2B-SXR-55M	@	F2B-SXR-55M-NL	@	F2B-SXR-55M-FF

@ Assembled to order

FEATURES/BENEFITS PAGE B4-2	NOMENCLATURE PAGE B4-4	SELECTION PAGE B4-5	RELATED PRODUCTS PAGE B4-85
--------------------------------	---------------------------	------------------------	--------------------------------



# SELECTION/DIMENSIONS



## Eccentric Collar Ball Bearings SXR NORMAL DUTY 2-BOLT FLANGE BEARINGS

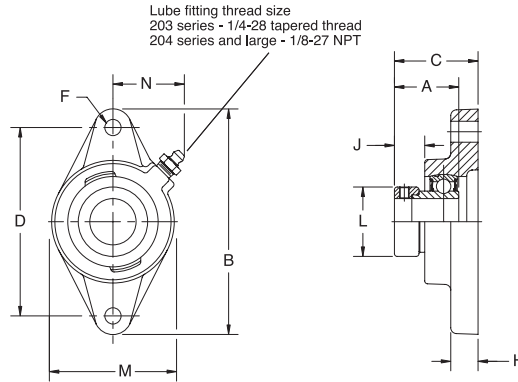
Series	Shaft Size	Weight lbs kg	A	B	C	D	F Bolt Dia.	H	J	L	M	N
203	1/2	0.9	1-15/32	3-7/8	1-19/32	3	3/8	33/64	39/64	1-1/8	2-1/32	1-1/64
	5/8	0.8										
	17mm	0.4	37.3	98.4	40.5	76.2	M10	13.1	15.5	28.6	51.6	25.8
204	3/4	1.2	1-23/32	4-27/64	1-61/64	3-17/32	3/8	19/32	41/64	1-5/16	2-3/8	1-3/16
	20mm	0.5	43.7	112.3	49.6	89.7	M10	15.1	16.3	33.3	60.3	30.2
205	7/8	1.7	1-3/4	4-7/8	1-13/16	3-57/64	7/16	19/32	21/32	1-1/2	2-3/4	1-3/8
	15/16	1.6										
	1	1.5										
206	25mm	0.7	44.5	123.8	46.0	98.8	M10	15.1	16.7	38.1	69.9	34.9
	1-1/16	2.4	1-29/32	5-9/16	1-63/64	4-19/32	7/16	5/8	47/64	1-3/4	3-1/4	1-5/8
	1-1/8	2.3										
	1-3/16	2.2										
	1-1/4	2.1										
30mm	1.0	48.4	141.3	50.4	116.7	M10	15.9	18.7	44.5	82.6	41.3	
207	1-1/4	3.6	2-1/64	6-1/8	2-7/64	5-1/8	1/2	41/64	25/32	2-1/8	3-3/4	1-7/8
	1-5/16	3.5										
	1-3/8	3.4										
	1-7/16	3.3										
35mm	1.5	51.2	155.6	53.6	130.2	M12	16.3	19.8	54.0	95.3	47.6	
208	1-1/2	4.3	2-7/32	6-3/4	2-21/64	5-21/32	1/2	21/32	25/32	2-3/8	4-1/8	2-1/6
	40mm	1.9	56.4	171.5	59.1	143.7	M12	16.7	19.8	60.3	104.8	52.4
209	1-5/8	5.3	2-7/32	7-1/16	2-5/16	5-27/32	1/2	41/64	25/32	2-1/2	4-3/8	2-3/16
	1-11/16	5.1										
	1-3/4	4.9										
210	45mm	2.2	56.4	179.4	58.7	148.4	M12	16.3	19.8	64.1	111.2	55.6
	1-15/16	5.8	2-15/32	7-7/16	2-19/32	6-3/16	5/8	25/32	53/64	2-3/4	4-9/16	2-1/32
	2	5.6										
211	50mm	2.6	62.7	188.9	65.9	157.2	M16	19.8	21.0	69.9	115.9	51.6
	2	7.8	2-13/16	8-1/2	2-15/16	7-1/4	5/8	13/16	1-1/32	3	5-1/4	2-5/8
	2-3/16	7.6										
55mm	3.5	71.4	215.9	74.6	184.2	M16	20.6	26.2	76.2	133.4	66.7	

FEATURES/BENEFITS PAGE B4-2	NOMENCLATURE PAGE B4-4	SELECTION PAGE B4-5	RELATED PRODUCTS PAGE B4-85
--------------------------------	---------------------------	------------------------	--------------------------------

# SELECTION/DIMENSIONS



## Eccentric Collar Ball Bearings SXV INTERMEDIATE DUTY 2-BOLT FLANGE BEARINGS



Series	Shaft Size	Standard		No Lube/Sealed for Life (-NL)	
		Part No.	Description	Part No.	Description
203	1/2	<b>130326</b>	F2B-SXV-008	@	F2B-SXV-008-NL
	5/8	<b>130327</b>	F2B-SXV-010	@	F2B-SXV-010-NL
	17mm	<b>125529</b>	F2B-SXV-17M	@	F2B-SXV-17M-NL
204	3/4	<b>131737</b>	F2B-SXV-012	@	F2B-SXV-012-NL
	20mm	<b>125730</b>	F2B-SXV-20M	@	F2B-SXV-20M-NL
205	7/8	<b>131738</b>	F2B-SXV-014	@	F2B-SXV-014-NL
	15/16	<b>131739</b>	F2B-SXV-015	@	F2B-SXV-015-NL
	1	<b>131740</b>	F2B-SXV-100	<b>058778</b>	F2B-SXV-100-NL
	25mm	<b>125731</b>	F2B-SXV-25M	@	F2B-SXV-25M-NL
206	1-1/16	<b>131741</b>	F2B-SXV-101	@	F2B-SXV-101-NL
	1-1/8	<b>131742</b>	F2B-SXV-102	@	F2B-SXV-102-NL
	1-3/16	<b>131743</b>	F2B-SXV-103	@	F2B-SXV-103-NL
	1-1/4	<b>131744</b>	F2B-SXV-104S	@	F2B-SXV-104S-NL
	30mm	<b>125732</b>	F2B-SXV-30M	@	F2B-SXV-30M-NL
207	1-1/4	<b>131745</b>	F2B-SXV-104	@	F2B-SXV-104-NL
	1-5/16	<b>131746</b>	F2B-SXV-105	@	F2B-SXV-105-NL
	1-3/8	<b>131747</b>	F2B-SXV-106	@	F2B-SXV-106-NL
	1-7/16	<b>131748</b>	F2B-SXV-107	<b>058779</b>	F2B-SXV-107-NL
	35mm	<b>125733</b>	F2B-SXV-35M	@	F2B-SXV-35M-NL
208	1-1/2	<b>131749</b>	F2B-SXV-108	<b>068784</b>	F2B-SXV-108-NL
	40mm	<b>125734</b>	F2B-SXV-40M	@	F2B-SXV-40M-NL
209	1-11/16	<b>130328</b>	F2B-SXV-111	<b>059595</b>	F2B-SXV-111-NL
	1-3/4	<b>130329</b>	F2B-SXV-112	@	F2B-SXV-112-NL
	45mm	<b>125735</b>	F2B-SXV-45M	@	F2B-SXV-45M-NL
210	1-15/16	<b>130330</b>	F2B-SXV-115	<b>059596</b>	F2B-SXV-115-NL
	2	<b>130331</b>	F2B-SXV-200	<b>068867</b>	F2B-SXV-200-NL
	50mm	<b>125736</b>	F2B-SXV-50M	@	F2B-SXV-50M-NL
211	2	<b>130352</b>	F2B-SXV-200L	@	F2B-SXV-200L-NL
	2-3/16	<b>130353</b>	F2B-SXV-203	@	F2B-SXV-203-NL
	55mm	<b>125737</b>	F2B-SXV-55M	@	F2B-SXV-55M-NL

@ Assembled to order

FEATURES/BENEFITS PAGE B4-2	NOMENCLATURE PAGE B4-4	SELECTION PAGE B4-5	RELATED PRODUCTS PAGE B4-85
--------------------------------	---------------------------	------------------------	--------------------------------

# SELECTION/DIMENSIONS



## Eccentric Collar Ball Bearings SXV INTERMEDIATE DUTY 2-BOLT FLANGE BEARINGS

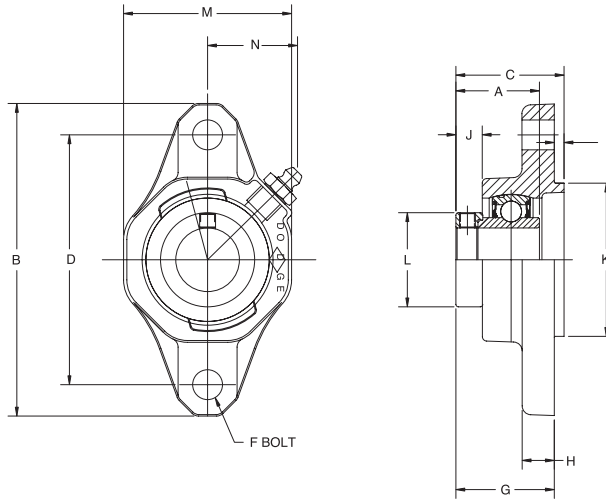
Series	Shaft Size	Weight lbs kg	A	B	C	D	F Bolt Dia.	H	J	L	M	N
203	1/2	0.9	1-1/8	3-7/8	1-13/32	3	3/8	3/8	9/16	1-1/8	2-1/8	1-1/8
	5/8	0.8										
	17mm	0.3	28.6	98.4	35.7	76.2	M10	9.5	14.3	28.6	54.0	28.6
204	3/4	1.0	1-7/32	4-27/64	1-9/16	3-17/32	3/8	1/2	37/64	1-5/16	2-3/8	1-1/2
	20mm	0.5	31.0	112.3	39.7	89.7	M10	12.7	14.7	33.3	60.3	38.1
205	7/8	1.7	1-7/32	4-7/8	1-1/2	3-57/64	7/16	1/2	35/64	1-1/2	2-3/4	1-7/16
	15/16	1.6										
	1	1.5										
206	25mm	0.7	31.0	123.8	38.1	98.8	M10	12.7	13.9	38.1	69.9	36.5
	1-1/16	2.4	1-13/32	5-9/16	1-11/16	4-19/32	7/16	1/2	39/64	1-3/4	3-1/8	1-9/16
	1-1/8	2.3										
	1-3/16	2.2										
207	1-1/4	2.1										
	30mm	1.0	35.7	141.3	42.9	116.7	M10	12.7	15.5	44.5	79.4	39.7
	1-1/4	3.6	1-17/32	6-1/8	1-7/8	5-1/8	1/2	9/16	21/32	2-1/8	3-3/4	1-27/32
	1-5/16	3.5										
	1-3/8	3.3										
208	1-7/16	3.2										
	35mm	1.5	38.9	155.6	47.6	130.2	M12	14.3	16.7	54.0	95.3	46.8
	1-1/2	4.7	1-23/32	6-3/4	2-1/16	5-21/32	1/2	9/16	23/32	2-3/8	4-1/8	1-53/64
209	40mm	2.2	43.7	171.5	52.4	143.7	M12	14.3	18.3	60.3	104.8	46.4
	1-11/16	5.1	1-23/32	7-1/16	2-3/32	5-27/32	1/2	5/8	11/16	2-1/2	4-3/8	1-29/32
210	1-3/4	4.9										
	45mm	2.2	43.7	179.4	53.2	148.4	M12	15.9	17.5	63.5	111.1	48.4
	1-15/16	5.8	1-23/32	7-7/16	2-1/8	6-3/16	1/2	5/8	21/32	2-3/4	4-9/16	2-1/32
211	2	5.3										
	50mm	2.4	43.7	188.9	54.0	157.2	M16	15.9	16.7	69.9	115.9	51.6
	2	6.9	1-29/32	8-1/2	2-3/8	7-1/4	5/8	11/16	25/32	3	5-1/4	2-17/64
211	2-3/16	6.7										
	55mm	3.1	48.4	215.9	60.3	184.2	M16	17.5	19.8	76.2	133.4	57.5

FEATURES/BENEFITS PAGE B4-2	NOMENCLATURE PAGE B4-4	SELECTION PAGE B4-5	RELATED PRODUCTS PAGE B4-85
--------------------------------	---------------------------	------------------------	--------------------------------

# SELECTION/DIMENSIONS



## Eccentric Collar Ball Bearings SXR NORMAL DUTY 2-BOLT PILOTED FLANGE BEARINGS



Series	Shaft Size	Part No.	Description
204	3/4	@	F2BZ-SXR-012
	20mm	<b>130831</b>	F2BZ-SXR-20M
205	7/8	@	F2BZ-SXR-014
	15/16	@	F2BZ-SXR-015
	1	<b>064289</b>	F2BZ-SXR-100
	25mm	<b>130832</b>	F2BZ-SXR-25M
206	1-1/8	@	F2BZ-SXR-102
	1-3/16	@	F2BZ-SXR-103
	1-1/4	@	F2BZ-SXR-104S
	30mm	<b>130833</b>	F2BZ-SXR-30M
207	1-1/4	@	F2BZ-SXR-104
	1-3/8	@	F2BZ-SXR-106
	1-7/16	@	F2BZ-SXR-107
	35mm	<b>130834</b>	F2BZ-SXR-35M
208	1-1/2	<b>068901</b>	F2BZ-SXR-108
	40mm	<b>130835</b>	F2BZ-SXR-40M
209	1-5/8	@	F2BZ-SXR-110L
	1-11/16	@	F2BZ-SXR-111
	1-3/4	@	F2BZ-SXR-112
	45mm	<b>130836</b>	F2BZ-SXR-45M
210	1-15/16	@	F2BZ-SXR-115
	2	@	F2BZ-SXR-200
	50mm	<b>130837</b>	F2BZ-SXR-50M

@ Assembled to order

FEATURES/BENEFITS PAGE B4-2	NOMENCLATURE PAGE B4-4	SELECTION PAGE B4-5	RELATED PRODUCTS PAGE B4-85
--------------------------------	---------------------------	------------------------	--------------------------------

# SELECTION/DIMENSIONS



## Eccentric Collar Ball Bearings SXR NORMAL DUTY 2-BOLT PILOTED FLANGE BEARINGS

Bearing Quick Reference

E-Z KLEEN

GRIP TIGHT Adapter Ball Bearing

Set Screw Ball Bearing

Eccentric Collar Ball Bearing

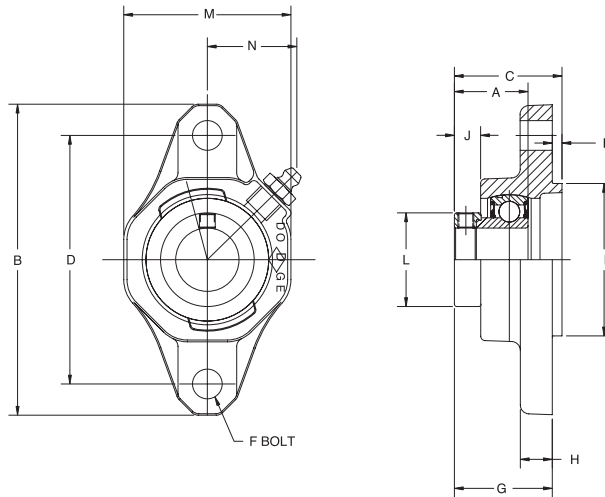
Series	Shaft Size	Weight lbs kg	A	B	C	D	E	F Bolt Dia.	G	H	J	K	L	M	N
204	3/4	1.3	1-23/32	4-27/64	1-51/64	3-17/32	0.138	3/8	1-21/32	29/64	41/64	2.1654	1-5/16	2-3/8	1-3/16
	20mm	0.6	43.7	112.3	45.6	89.7	3.5	M10	42.1	11.5	16.3	55.0	33.3	60.3	30.2
205	7/8	1.6	1-3/4	4-7/8	1-51/64	3-57/64	0.138	7/16	1-43/64	29/64	21/32	2.3622	1-1/2	2-3/4	1-3/8
	15/16 1 25mm	0.7	44.5	123.8	45.6	98.8	3.5	M10	42.5	11.5	16.7	60.0	38.1	69.9	34.9
206	1-1/8	2.1	1-29/32	5-9/16	2-3/64	4-19/32	0.118	7/16	1-59/64	1/2	47/64	3.1496	1-3/4	3-1/4	1-5/8
	1-3/16 1-1/4 30mm	0.9	48.4	141.3	50.1	116.7	3.0	M10	47.1	12.7	18.7	80.0	44.5	82.6	41.3
207	1-1/4	3.1	2-1/64	6-1/8	2-7/64	5-1/8	0.158	1/2	1-61/64	31/64	25/32	3.5433	2-1/8	3-3/4	1-7/8
	1-3/8 1-7/16 35mm	1.3	51.2	155.6	53.3	130.2	4.0	M12	49.4	12.3	19.7	90.0	54.0	95.3	47.6
208	1-1/2	4.3	2-7/32	6-3/4	2-5/16	5-21/32	0.158	1/2	2-5/32	1/2	25/32	3.9370	2-3/8	4-1/8	2-1/16
	40mm	1.9	56.4	171.5	58.6	143.7	4.0	M12	54.8	12.7	19.5	100.0	60.3	104.8	52.4
209	1-5/8	4.7	2-7/32	7-1/16	2-21/64	5-27/32	0.158	1/2	2-11/64	31/64	25/32	4.1339	2-1/2	4-3/8	2-3/16
	1-11/16 1-3/4 45mm	2.0	56.4	179.4	58.9	148.4	4.0	M12	54.9	12.3	19.8	105.0	63.5	111.1	55.6
210	1-15/16	5.2	2-15/32	7-7/16	2-39/64	6-3/16	0.158	9/16	2-29/64	5/8	27/32	4.1339	2-3/4	4-9/16	2-9/32
	2 50mm	2.1	62.7	188.9	66.1	157.2	4.0	M16	62.1	15.9	21.5	105.0	69.9	115.9	51.5

FEATURES/BENEFITS PAGE B4-2	NOMENCLATURE PAGE B4-4	SELECTION PAGE B4-5	RELATED PRODUCTS PAGE B4-85
--------------------------------	---------------------------	------------------------	--------------------------------

# SELECTION/DIMENSIONS



## Eccentric Collar Ball Bearings SXV INTERMEDIATE DUTY 2-BOLT PILOTED FLANGE BEARINGS



Series	Shaft Size	Part No.	Description
204	3/4	@	F2BZ-SXV-012
	20mm	<b>130781</b>	F2BZ-SXV-20M
205	7/8	@	F2BZ-SXV-014
	15/16	@	F2BZ-SXV-015
	1	@	F2BZ-SXV-100
	25mm	<b>130782</b>	F2BZ-SXV-25M
206	1-1/8	<b>067601</b>	F2BZ-SXV-102
	1-3/16	@	F2BZ-SXV-103
	1-1/4	@	F2BZ-SXV-104S
	30mm	<b>130783</b>	F2BZ-SXV-30M
207	1-1/4	<b>062893</b>	F2BZ-SXV-104
	1-3/8	@	F2BZ-SXV-106
	1-7/16	@	F2BZ-SXV-107
	35mm	<b>130784</b>	F2BZ-SXV-35M
208	1-1/2	<b>068763</b>	F2BZ-SXV-108
	40mm	<b>130785</b>	F2BZ-SXV-40M
209	1-11/16	@	F2BZ-SXV-111
	1-3/4	@	F2BZ-SXV-112
	45mm	<b>130786</b>	F2BZ-SXV-45M
210	1-15/16	@	F2BZ-SXV-115
	2	@	F2BZ-SXV-200
	50mm	<b>130787</b>	F2BZ-SXV-50M

@ Assembled to order

FEATURES/BENEFITS PAGE B4-2	NOMENCLATURE PAGE B4-4	SELECTION PAGE B4-5	RELATED PRODUCTS PAGE B4-85
--------------------------------	---------------------------	------------------------	--------------------------------

# SELECTION/DIMENSIONS



## Eccentric Collar Ball Bearings SXV INTERMEDIATE DUTY 2-BOLT PILOTED FLANGE BEARINGS

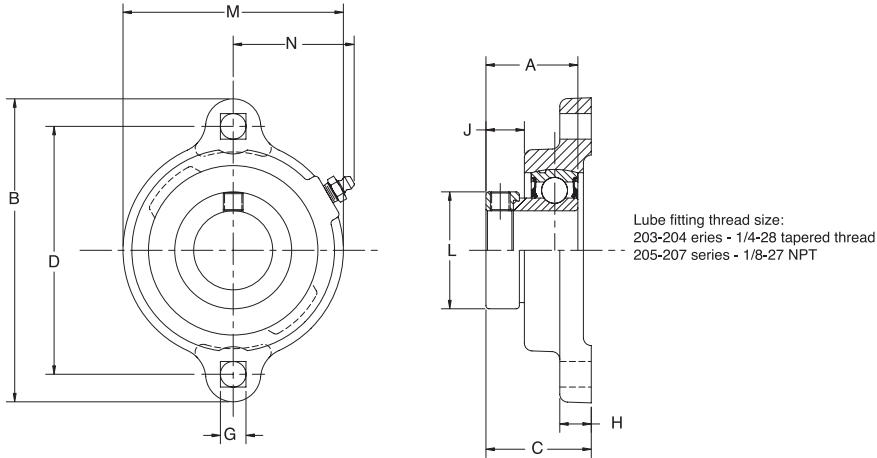
Series	Shaft Size	Weight lbs kg	A	B	C	D	E	F Bolt Dia.	G	H	J	K	L	M	N
204	3/4	1.1	1-7/32	4-27/64	1-43/64	3-17/32	.138	3/8	1-35/64	29/64	33/64	2.1654	1-5/16	2-3/8	1-3/16
	20mm	0.5	31.0	112.3	42.5	89.7	3.5	M10	39.0	11.5	13.2	55.0	33.3	60.3	30.2
205	7/8	1.5	1-7/32	4-7/8	1-43/64	3-57/64	.138	7/16	1-34/64	29/64	33/64	2.3622	1-1/2	2-3/4	1-3/8
	15/16	1.4													
	1	1.4													
	25mm	0.6	31.0	123.8	42.5	98.8	3.5	M10	38.7	11.5	12.9	60.0	38.1	69.9	34.9
206	1-1/8	1.9	1-13/32	5-9/16	1-29/32	4-19/32	.118	7/16	1-25/32	1/2	39/64	3.1496	1-3/4	3-1/4	1-5/8
	1-3/16	1.9													
	1-1/4	1.9													
	30mm	0.9	35.7	141.3	46.6	116.7	3.0	M10	43.6	12.7	15.1	80.0	44.5	82.6	41.3
207	1-1/4	2.9	1-17/32	6-1/8	1-63/64	5-1/8	.158	1/2	1-53/64	31/64	21/32	3.5433	2-1/8	3-3/4	1-7/8
	1-3/8	2.8													
	1-7/16	2.8													
	35mm	1.3	38.9	155.6	50.4	130.2	4.0	M12	46.4	12.3	16.7	90.0	54.0	95.3	47.6
208	1-1/2	4.4	1-23/32	6-3/4	2-15/64	5-21/32	.158	1/2	2-5/64	1/2	11/16	3.9370	2-3/8	4-1/8	2-1/16
	40mm	2.0	43.7	171.5	56.5	143.7	4.0	M12	52.5	12.7	17.4	100.0	60.3	104.8	52.4
209	1-11/16	4.6	1-23/32	7-1/16	2-15/64	5-27/32	.158	1/2	2-5/64	31/64	11/16	4.1339	2-1/2	4-3/8	2-3/16
	1-3/4	4.5													
	45mm	2.1	43.7	179.4	56.5	148.4	4.0	M12	52.6	12.3	17.4	105.0	63.5	111.1	55.6
210	1-15/16	5.0	1-23/32	7-7/16	2-25/64	6-3/16	.158	9/16	2-15/64	5/8	5/8	4.1339	2-3/4	4-9/16	2-9/32
	2	4.8													
	50mm	2.1	43.7	188.9	60.5	157.2	4.0	M16	56.5	15.9	15.9	105.0	69.9	115.9	51.6

FEATURES/BENEFITS PAGE B4-2	NOMENCLATURE PAGE B4-4	SELECTION PAGE B4-5	RELATED PRODUCTS PAGE B4-85
--------------------------------	---------------------------	------------------------	--------------------------------

# SELECTION/DIMENSIONS



## Eccentric Collar Ball Bearings SXV LFT INTERMEDIATE DUTY 2-BOLT FLANGE BEARINGS



Series	Shaft Size	Standard		No Lube/Sealed for Life (-NL)	
		Part No.	Description	Part No.	Description
203	1/2	@	LFT-SXV-008	<b>124748</b>	LFT-SXV-008-NL
	5/8	<b>124749</b>	LFT-SXV-010	<b>068855</b>	LFT-SXV-010-NL
	17mm	<b>130776</b>	LFT-SXV-17M	@	LFT-SXV-17M-NL
204	3/4	@	LFT-SXV-012	<b>124678</b>	LFT-SXV-012-NL
	20mm	<b>130777</b>	LFT-SXV-20M	@	LFT-SXV-20M-NL
205	7/8	<b>049751</b>	LFT-SXV-014	@	LFT-SXV-014-NL
	15/16	@	LFT-SXV-015	@	LFT-SXV-015-NL
	1	<b>124677</b>	LFT-SXV-100	<b>124697</b>	LFT-SXV-100-NL
	25mm	<b>130778</b>	LFT-SXV-25M	@	LFT-SXV-25M-NL
206	1-1/16	@	LFT-SXV-101	@	LFT-SXV-101-NL
	1-1/8	<b>068387</b>	LFT-SXV-102	@	LFT-SXV-102-NL
	1-3/16	<b>068803</b>	LFT-SXV-103	<b>053007</b>	LFT-SXV-103-NL
	1-1/4	<b>068561</b>	LFT-SXV-104S	<b>062945</b>	LFT-SXV-104S-NL
	30mm	<b>130779</b>	LFT-SXV-30M	@	LFT-SXV-30M-NL
207	1-1/4	@	LFT-SXV-104	@	LFT-SXV-104-NL
	1-5/16	@	LFT-SXV-105	@	LFT-SXV-105-NL
	1-3/8	<b>062439</b>	LFT-SXV-106	@	LFT-SXV-106-NL
	1-7/16	<b>064750</b>	LFT-SXV-107	<b>124676</b>	LFT-SXV-107-NL
	35mm	<b>130780</b>	LFT-SXV-35M	@	LFT-SXV-35M-NL

@ Assembled to order

FEATURES/BENEFITS PAGE B4-2	NOMENCLATURE PAGE B4-4	SELECTION PAGE B4-5	RELATED PRODUCTS PAGE B4-85
--------------------------------	---------------------------	------------------------	--------------------------------



# SELECTION/DIMENSIONS



## Eccentric Collar Ball Bearings SXV LFT INTERMEDIATE DUTY 2-BOLT FLANGE BEARINGS

Bearing Quick Reference

E-Z KLEEN

GRIP TIGHT Adapter Ball Bearing

Set Screw Ball Bearing

Eccentric Collar Ball Bearing

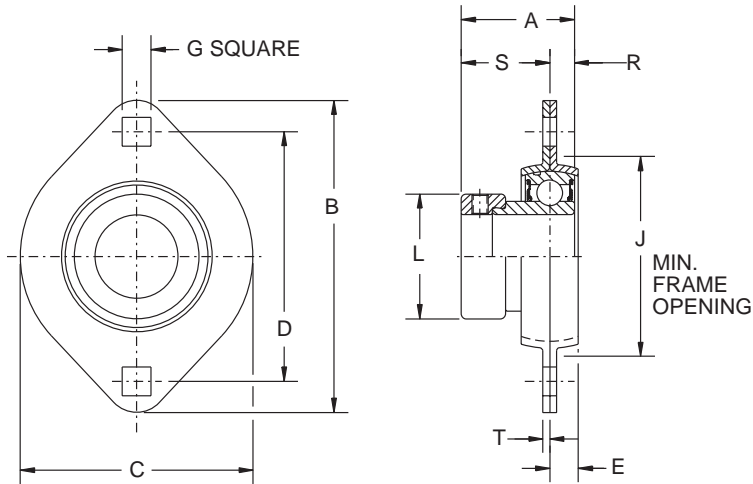
Series	Shaft Size	Weight lbs kg	A	B	C	D	G	H	J	L	M	N
203	1/2	0.63	1-1/8	3-3/16	1-3/64	2-1/2	9/32	3/8	21/64	1-1/8	2-1/8	1-15/64
	5/8 17mm	0.60 0.3	28.6	81.0	27.0	63.5	7.5	9.5	13.5	28.6	54.0	31.4
204	3/4	0.77	1-7/32	3-9/16	1-7/32	2-13/16	11/32	27/64	3/8	1-5/16	2-3/8	1-11/32
	20mm	0.4	31.0	90.5	31.0	71.4	8.7	10.7	14.4	33.3	60.3	34.1
205	7/8	0.92	1-7/32	3-3/4	1-1/4	3	11/32	27/64	3/8	1-1/2	2-5/8	1-7/16
	15/16	0.89										
	1 25mm	0.86 0.4	31.0	95.3	31.8	76.2	8.7	10.7	9.5	38.1	66.7	36.5
206	1-1/16	1.53	1-13/32	4-7/16	1-15/32	3-9/16	13/32	15/32	15/32	1-3/4	3-1/4	1-23/32
	1-1/8	1.50										
	1-3/16	1.47										
	1-1/4 30mm	1.44 0.7	35.7	112.7	37.3	90.5	10.3	11.9	15.8	44.5	82.6	43.7
207	1-1/4	1.92	1-17/32	4-13/16	1-19/32	3-15/16	13/32	1/2	17/32	2-1/8	3-1/2	1-53/64
	1-5/16	1.89										
	1-3/8	1.86										
	1-7/16 35mm	1.83 0.8	38.9	122.2	40.5	100.0	10.3	12.7	11.1	54.0	88.9	46.4

FEATURES/BENEFITS PAGE B4-2	NOMENCLATURE PAGE B4-4	SELECTION PAGE B4-5	RELATED PRODUCTS PAGE B4-85
--------------------------------	---------------------------	------------------------	--------------------------------

# SELECTION/DIMENSIONS



## Eccentric Collar Ball Bearings SLX LIGHT DUTY 2-BOLT FLANGE BEARINGS



Series	Shaft Size	Standard	
		Part No.	Description
203	1/2	@	F2B-SLX-008
	5/8	<b>062497</b>	F2B-SLX-010
	17mm	@	F2B-SLX-17M
204	3/4	<b>128137</b>	F2B-SLX-012
	20mm	@	F2B-SLX-20M
205	7/8	<b>128138</b>	F2B-SLX-014
	15/16	<b>128139</b>	F2B-SLX-015
	1	<b>128140</b>	F2B-SLX-100
	25mm	@	F2B-SLX-25M
206	1-1/8	<b>128141</b>	F2B-SLX-102
	1-3/16	<b>128142</b>	F2B-SLX-103
	1-1/4	<b>128143</b>	F2B-SLX-104S
	30mm	@	F2B-SLX-30M
207	1-1/4	<b>128186</b>	F2B-SLX-104
	1-3/8	<b>128187</b>	F2B-SLX-106
	1-7/16	<b>128188</b>	F2B-SLX-107
	35mm	@	F2B-SLX-35M

@ Assembled to order

FEATURES/BENEFITS PAGE B4-2	NOMENCLATURE PAGE B4-4	SELECTION PAGE B4-5	RELATED PRODUCTS PAGE B4-85
--------------------------------	---------------------------	------------------------	--------------------------------

# SELECTION/DIMENSIONS



## Eccentric Collar Ball Bearings SLX LIGHT DUTY 2-BOLT FLANGE BEARINGS

Bearing Quick Reference

E-Z KLEEN

GRIP TIGHT Adapter Ball Bearing

Set Screw Ball Bearing

Eccentric Collar Ball Bearing

Series	Shaft Size	Weight lbs kg	A	B	C	D	E	G*	J	L	R	S	T	Housing Radial Load Rating (lbs)
203	1/2	.51	1-1/8	3-3/16	2-5/16	2-1/2	9/32	9/32	1-15/16	1-1/8	1/4	7/8	0.075	600
	5/8 17mm	.48 .23	28.6	81.0	58.7	63.5	7.1	7.1	49.2	28.6	6.4	22.2	1.9	2668
204	3/4	.51	1-7/32	3-9/16	2-5/8	2-13/16	5/16	11/32	2-3/16	1-5/16	19/64	59/64	0.083	700
	20mm	.23	31.0	90.5	66.7	71.4	7.9	8.7	55.6	33.3	7.5	23.4	2.1	3112
205	7/8	.79	1-7/32	3-3/4	2-51/64	3	11/32	11/32	2-3/8	1-1/2	19/64	59/64	0.083	800
	15/16	.76												
	1 25mm	.73 .35	31.0	95.3	71.0	76.2	8.7	8.7	60.3	38.1	11.5	19.4	2.1	3557
206	1-1/8	1.14	1-13/32	4-7/16	3-5/16	3-9/16	11/32	13/32	2-13/16	1-3/4	23/64	1-3/64	0.104	1100
	1-3/16	1.12												
	1-1/4	1.10												
	30mm	.52	35.7	112.7	84.1	90.5	8.7	10.3	71.4	44.5	9.1	26.7	2.6	4891
207	1-1/4	1.54	1-17/32	4-15/16	3-11/16	3-15/16	7/16	13/32	3-3/16	2-1/8	3/8	1-5/32	0.104	1100
	1-3/8	1.50												
	1-7/16	1.48												
	35mm	.69	38.9	125.4	93.7	100.0	11.1	10.3	81.6	54.0	9.5	29.4	2.6	6225

\* Mounting bolt holes will accept either carriage or machine bolts.

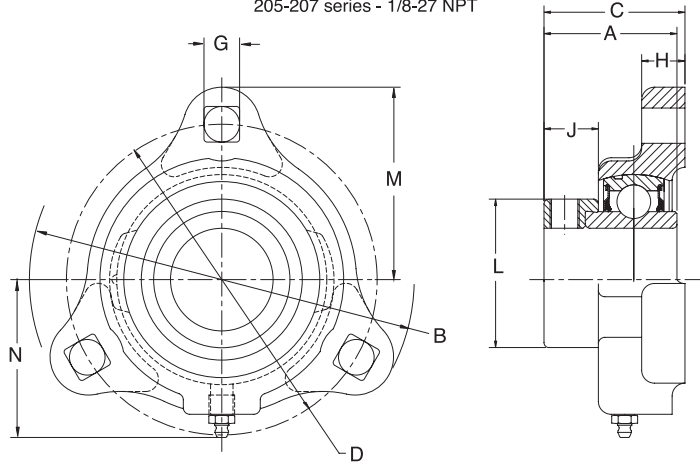
FEATURES/BENEFITS PAGE B4-2	NOMENCLATURE PAGE B4-4	SELECTION PAGE B4-5	RELATED PRODUCTS PAGE B4-85
--------------------------------	---------------------------	------------------------	--------------------------------

# SELECTION/DIMENSIONS



## Eccentric Collar Ball Bearings SXV LF NORMAL DUTY 3-BOLT FLANGE BEARINGS

Lube fitting thread size:  
203-204 series - 1/4-28 tapered thread  
205-207 series - 1/8-27 NPT



Series	Shaft Size	Standard		No Lube/Sealed for Life (-NL)	
		Part No.	Description	Part No.	Description
203	1/2	@	LF-SXV-008	@	LF-SXV-008-NL
	5/8	@	LF-SXV-010	@	LF-SXV-010-NL
	17mm	@	LF-SXV-17M	@	LF-SXV-17M-NL
204	3/4	@	LF-SXV-012	@	LF-SXV-012-NL
	20mm	@	LF-SXV-20M	@	LF-SXV-20M-NL
205	7/8	@	LF-SXV-014	@	LF-SXV-014-NL
	15/16	@	LF-SXV-015	@	LF-SXV-015-NL
	1	<b>124591</b>	LF-SXV-100	@	LF-SXV-100-NL
	25mm	@	LF-SXV-25M	@	LF-SXV-25M-NL
206	1-1/16	@	LF-SXV-101	@	LF-SXV-101-NL
	1-1/8	@	LF-SXV-102	<b>068790</b>	LF-SXV-102-NL
	1-3/16	<b>124590</b>	LF-SXV-103	<b>062454</b>	LF-SXV-103-NL
	1-1/4	@	LF-SXV-104S	<b>124634</b>	LF-SXV-104S-NL
	30mm	<b>065530</b>	LF-SXV-30M	@	LF-SXV-30M-NL
207	1-1/4	@	LF-SXV-104	@	LF-SXV-104-NL
	1-5/16	@	LF-SXV-105	@	LF-SXV-105-NL
	1-3/8	<b>053763</b>	LF-SXV-106	@	LF-SXV-106-NL
	1-7/16	<b>050420</b>	LF-SXV-107	@	LF-SXV-107-NL
	35mm	@	LF-SXV-35M	@	LF-SXV-35M-NL

@ Assembled to order

FEATURES/BENEFITS PAGE B4-2	NOMENCLATURE PAGE B4-4	SELECTION PAGE B4-5	RELATED PRODUCTS PAGE B4-85
--------------------------------	---------------------------	------------------------	--------------------------------

# SELECTION/DIMENSIONS



## Eccentric Collar Ball Bearings SXV LF NORMAL DUTY 3-BOLT FLANGE BEARINGS

Bearing Quick Reference

E-Z KLEEN

GRIP TIGHT Adapter Ball Bearing

Set Screw Ball Bearing

Eccentric Collar Ball Bearing

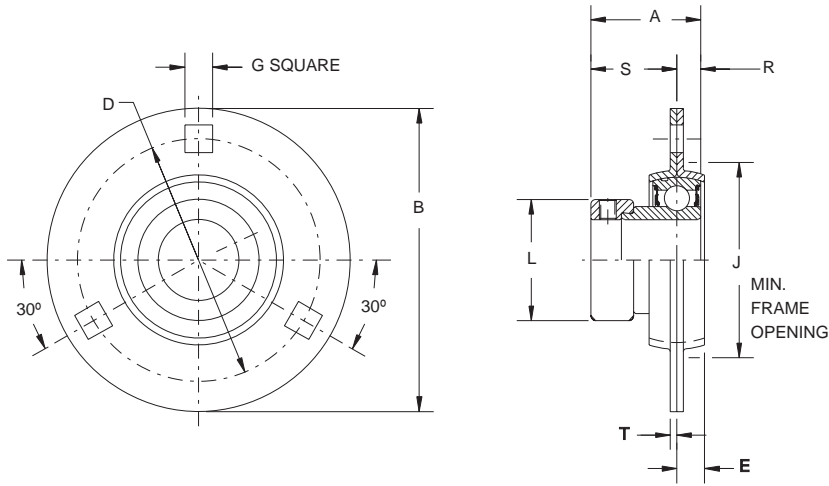
Series	Shaft Size	Weight lbs kg	A	B	C	D	G	H	J	L	M	N
203	1/2	0.63	1-1/8	3-3/16	1-9/32	2-1/2	9/32	3/8	9/16	1-1/8	1-19/32	1-27/32
	5/8 17mm	0.60 0.3	28.6	81.0	27.0	63.5	7.5	9.5	8.7	28.6	40.5	46.8
204	3/4	0.77	1-7/32	3-9/16	1-13/32	2-13/16	23/64	27/64	9/16	1-5/16	1-25/32	1-37/64
	20mm	0.4	31.0	90.5	31.0	71.4	9.1	10.7	9.5	33.3	45.2	40.1
205	7/8	0.92	1-7/32	3-3/4	1-13/32	3	11/32	27/64	17/32	1-1/2	1-7/8	1-45/64
	15/16	0.89										
	1 25mm	0.86 0.4	31.0	95.3	31.8	76.2	8.7	10.7	10.3	38.1	47.6	43.3
206	1-1/16	1.53	1-13/32	4-7/16	1-39/64	3-9/16	13/32	15/32	39/64	1-3/4	2-7/32	2-1/64
	1-1/8	1.50										
	1-3/16	1.47										
	1-1/4 30mm	1.44 0.7	35.7	112.7	37.3	90.5	10.3	11.9	13.5	44.5	56.4	51.2
207	1-1/4	1.92	1-17/32	4-13/16	1-23/32	3-15/16	13/32	1/2	21/32	2-1/8	2-13/32	2-1/64
	1-5/16	1.89										
	1-3/8	1.86										
	1-7/16 35mm	1.83 0.8	38.9	122.2	40.5	100.0	10.3	12.7	13.5	54.0	61.1	54.4

FEATURES/BENEFITS PAGE B4-2	NOMENCLATURE PAGE B4-4	SELECTION PAGE B4-5	RELATED PRODUCTS PAGE B4-85
--------------------------------	---------------------------	------------------------	--------------------------------

# SELECTION/DIMENSIONS



## Eccentric Collar Ball Bearings SXV LF NORMAL DUTY 3-BOLT FLANGE BEARINGS



Series	Shaft Size	Standard	
		Part No	Description
204	3/4	<b>128144</b>	F3B-SLX-012
	20mm	@	F3B-SLX-20M
205	7/8	<b>128145</b>	F3B-SLX-014
	15/16	<b>128146</b>	F3B-SLX-015
	1	<b>128147</b>	F3B-SLX-100
	25mm	@	F3B-SLX-25M
206	1-1/8	<b>128148</b>	F3B-SLX-102
	1-3/16	<b>128149</b>	F3B-SLX-103
	1-1/4	<b>128150</b>	F3B-SLX-104S
	30mm	@	F3B-SLX-30M
207	1-1/4	<b>128189</b>	F3B-SLX-104
	1-3/8	<b>128190</b>	F3B-SLX-106
	1-7/16	<b>128191</b>	F3B-SLX-107
	35mm	@	F3B-SLX-35M

@ Assembled to order

FEATURES/BENEFITS PAGE B4-2	NOMENCLATURE PAGE B4-4	SELECTION PAGE B4-5	RELATED PRODUCTS PAGE B4-85
--------------------------------	---------------------------	------------------------	--------------------------------

# SELECTION/DIMENSIONS



## Eccentric Collar Ball Bearings SXV LF NORMAL DUTY 3-BOLT FLANGE BEARINGS

Bearing Quick Reference

E-Z KLEEN

GRIP TIGHT Adapter Ball Bearing

Set Screw Ball Bearing

Eccentric Collar Ball Bearing

Series	Shaft Size	Weight lbs kg	A	B	D	E	G*	J	L	R	S	T	Housing Radial Load Rating (lbs)
204	3/4	.53	1-7/32	3-9/16	2-13/16	5/16	11/32	2-3/16	1-5/16	19/64	59/64	.083	700
	20mm	.24	31.0	90.5	71.4	7.9	8.7	55.6	33.3	7.5	23.4	2.1	3112
205	7/8	.81	1-7/32	3-3/4	3	11/32	11/32	2-3/8	1-1/2	19/64	59/64	.083	800
	15/16	.78											
	1	.75											
	25mm	.36	31.0	95.3	76.2	8.7	8.7	60.3	38.1	11.5	19.4	2.1	3557
206	1-1/8	1.16	1-13/32	4-7/16	3-9/16	11/32	13/32	2-13/16	1-3/4	23/64	1-3/64	.104	1100
	1-3/16	1.14											
	1-1/4	1.12											
	30mm	.53	35.7	112.7	90.5	8.7	10.3	71.4	44.5	9.1	26.7	2.6	4891
207	1-1/4	1.56	1-17/32	4-15/16	3-15/16	7/16	13/32	2-13/16	2-1/8	3/8	1-5/32	.104	1100
	1-3/8	1.52											
	1-7/16	1.50											
	35mm	.70	38.9	125.4	100.0	11.1	10.3	71.4	54.0	9.5	29.4	2.6	6225

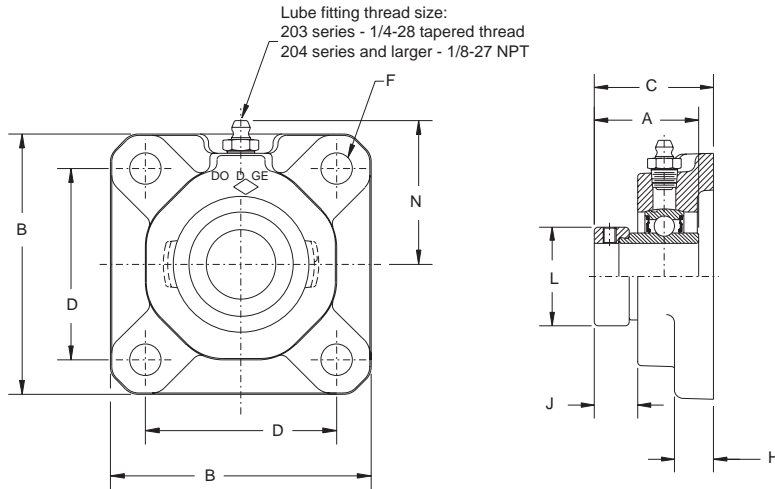
\* Mounting bolt holes will accept either carriage or machine bolts.

FEATURES/BENEFITS PAGE B4-2	NOMENCLATURE PAGE B4-4	SELECTION PAGE B4-5	RELATED PRODUCTS PAGE B4-85
--------------------------------	---------------------------	------------------------	--------------------------------

# SELECTION/DIMENSIONS



## Eccentric Collar Ball Bearings SXR NORMAL DUTY 4-BOLT FLANGE BEARINGS



Series	Shaft Size	Standard		With Flingers	
		Part No.	Description	Part No.	Description
203	1/2	<b>131100</b>	F4B-SXR-008	@	F4B-SXR-008-FF
	5/8	<b>131102</b>	F4B-SXR-010	@	F4B-SXR-010-FF
	17mm	<b>125666</b>	F4B-SXR-17M	@	F4B-SXR-17M-FF
204	3/4	<b>131104</b>	F4B-SXR-012	@	F4B-SXR-012-FF
	20mm	<b>125667</b>	F4B-SXR-20M	@	F4B-SXR-20M-FF
205	7/8	<b>131106</b>	F4B-SXR-014	@	F4B-SXR-014-FF
	15/16	<b>131107</b>	F4B-SXR-015	@	F4B-SXR-015-FF
	1	<b>131108</b>	F4B-SXR-100	<b>068207</b>	F4B-SXR-100-FF
	25mm	<b>125668</b>	F4B-SXR-25M	@	F4B-SXR-25M-FF
206	1-1/16	<b>131109</b>	F4B-SXR-101	@	F4B-SXR-101-FF
	1-1/8	<b>131110</b>	F4B-SXR-102	<b>068208</b>	F4B-SXR-102-FF
	1-3/16	<b>131111</b>	F4B-SXR-103	@	F4B-SXR-103-FF
	1-1/4	<b>064929</b>	F4B-SXR-104S	@	F4B-SXR-104S-FF
	30mm	<b>125669</b>	F4B-SXR-30M	@	F4B-SXR-30M-FF
207	1-1/4	<b>131113</b>	F4B-SXR-104	<b>068209</b>	F4B-SXR-104-FF
	1-5/16	<b>131114</b>	F4B-SXR-105	@	F4B-SXR-105-FF
	1-3/8	<b>131115</b>	F4B-SXR-106	@	F4B-SXR-106-FF
	1-7/16	<b>131116</b>	F4B-SXR-107	@	F4B-SXR-107-FF
	35mm	<b>125670</b>	F4B-SXR-35M	@	F4B-SXR-35M-FF

@ Assembled to order

FEATURES/BENEFITS PAGE B4-2	NOMENCLATURE PAGE B4-4	SELECTION PAGE B4-5	RELATED PRODUCTS PAGE B4-85
--------------------------------	---------------------------	------------------------	--------------------------------



# SELECTION/DIMENSIONS



## Eccentric Collar Ball Bearings SXR NORMAL DUTY 4-BOLT FLANGE BEARINGS

Bearing Quick Reference

E-Z KLEEN

GRIP TIGHT Adapter Ball Bearing

Set Screw Ball Bearing

Eccentric Collar Ball Bearing

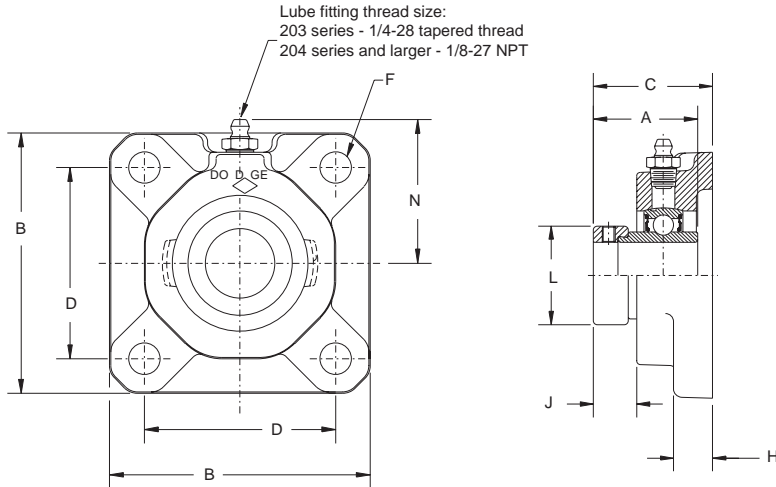
Series	Shaft Size	Weight lbs kg	A	B	C	D	F Bolt Dia.	H	J	L	N
203	1/2	1.2	1-15/32	3	1-19/32	2-1/8	3/8	33/64	39/64	1-1/8	1-37/64
	5/8 17mm	1.1 0.5									
204	3/4	1.6	1-23/32	3-3/8	1-51/64	2-1/2	3/8	19/32	41/64	1-5/16	2-1/32
	20mm	0.8	43.7	85.7	45.6	63.5	M10	15.1	16.3	33.3	51.6
205	7/8	2.3	1-3/4	3-3/4	1-13/16	2-3/4	7/16	19/32	21/32	1-1/2	2-1/8
	15/16	2.2									
	1 25mm	2.1 0.9	44.5	95.3	46.0	69.9	M10	15.1	16.7	38.1	54.0
206	1-1/16	3.1	1-29/32	4-1/4	1-63/64	3-1/4	7/16	5/8	47/64	1-3/4	2-5/32
	1-1/8	3.0									
	1-3/16	2.9									
	1-1/4 30mm	2.8 1.3	48.4	108.0	50.4	82.6	M10	15.9	18.7	44.5	54.8
207	1-1/4	4.2	2-1/64	4-5/8	2-7/64	3-5/8	1/2	41/64	25/32	2-1/8	2-13/32
	1-5/16	4.1									
	1-3/8	4.0									
	1-7/16 35mm	3.9 1.8	51.2	117.5	53.6	92.1	M12	16.3	19.8	54.0	61.1

FEATURES/BENEFITS PAGE B4-2	NOMENCLATURE PAGE B4-4	SELECTION PAGE B4-5	RELATED PRODUCTS PAGE B4-85
--------------------------------	---------------------------	------------------------	--------------------------------

# SELECTION/DIMENSIONS



## Eccentric Collar Ball Bearings SXR NORMAL DUTY 4-BOLT FLANGE BEARINGS



Series	Shaft Size	Standard		With Flingers	
		Part No.	Description	Part No.	Description
208	1-1/2 40mm	131117	F4B-SXR-108	@	F4B-SXR-108-FF
		125671	F4B-SXR-40M	@	F4B-SXR-40M-FF
209	1-5/8 1-11/16 1-3/4 45mm	131120	F4B-SXR-110	068210	F4B-SXR-110-FF
		131121	F4B-SXR-111	068211	F4B-SXR-111-FF
		131122	F4B-SXR-112	068212	F4B-SXR-112-FF
		125672	F4B-SXR-45M	@	F4B-SXR-45M-FF
210	1-15/16 2 50mm	131125	F4B-SXR-115	@	F4B-SXR-115-FF
		131127	F4B-SXR-200	@	F4B-SXR-200-FF
		125673	F4B-SXR-50M	@	F4B-SXR-50M-FF
211	2 2-3/16 55mm	131343	F4B-SXR-200L	@	F4B-SXR-200L-FF
		131130	F4B-SXR-203	@	F4B-SXR-203-FF
		125674	F4B-SXR-55M	@	F4B-SXR-55M-FF
212	2-1/4 2-7/16 60mm	131132	F4B-SXR-204	@	F4B-SXR-204-FF
		131135	F4B-SXR-207	@	F4B-SXR-207-FF
		125675	F4B-SXR-60M	@	F4B-SXR-60M-FF
215	2-15/16 75mm	131137	F4B-SXR-215	@	F4B-SXR-215-FF
		125676	F4B-SXR-75M	@	F4B-SXR-75M-FF

@ Assembled to order

FEATURES/BENEFITS PAGE B4-2	NOMENCLATURE PAGE B4-4	SELECTION PAGE B4-5	RELATED PRODUCTS PAGE B4-85
--------------------------------	---------------------------	------------------------	--------------------------------

# SELECTION/DIMENSIONS



## Eccentric Collar Ball Bearings SXR NORMAL DUTY 4-BOLT FLANGE BEARINGS

Bearing Quick Reference

E-Z KLEEN

GRIP TIGHT Adapter Ball Bearing

Set Screw Ball Bearing

Eccentric Collar Ball Bearing

Series	Shaft Size	Weight lbs kg	A	B	C	D	F Bolt Dia.	H	J	L	N
208	1-1/2	5.1	2-7/32	5-1/8	2-21/64	4	1/2	21/32	25/32	2-3/8	2-19/32
	40mm	2.3	56.4	130.2	59.1	101.6	M12	16.7	19.8	60.3	65.9
209	1-5/8	6.4	2-7/32	5-3/8	2-1/32	4-1/8	1/2	21/32	25/32	2-1/2	2-45/64
	1-11/16	6.2									
	1-3/4	6.0									
210	45mm	2.7	56.4	136.5	57.9	104.8	M12	16.7	19.8	64.1	68.7
	1-15/16	7.0	2-15/32	5-5/8	2-19/32	4-3/8	5/8	25/32	53/64	2-3/4	2-51/64
	2	6.8	62.7	142.9	65.9	111.1	M16	19.8	21.0	69.9	71.0
211	50mm	3.1	62.7	142.9	65.9	111.1	M16	19.8	21.0	69.9	71.0
	2	10.2	2-13/16	6-3/8	2-15/16	5-1/8	5/8	13/16	1-1/32	3	3-9/64
212	2-3/16	9.7	71.4	161.9	74.6	130.2	M16	20.6	26.2	76.2	79.8
	55mm	4.4	71.4	161.9	74.6	130.2	M16	20.6	26.2	76.2	79.8
215	2-1/4	11.8	3-1/16	6-7/8	3-3/16	5-5/8	5/8	13/16	1-3/32	3-5/16	3-15/64
	2-7/16	11.3	77.8	174.6	81.0	142.9	M16	20.6	27.8	84.1	82.2
215	60mm	6.0	77.8	174.6	81.0	142.9	M16	20.6	27.8	84.1	82.2
	2-15/16	18.2	3-5/8	7-3/4	3-25/32	6	3/4	15/16	1-19/64	4	3-45/64
	75mm	8.2	92.1	196.9	96.0	152.4	M16	23.8	32.9	101.6	94.1

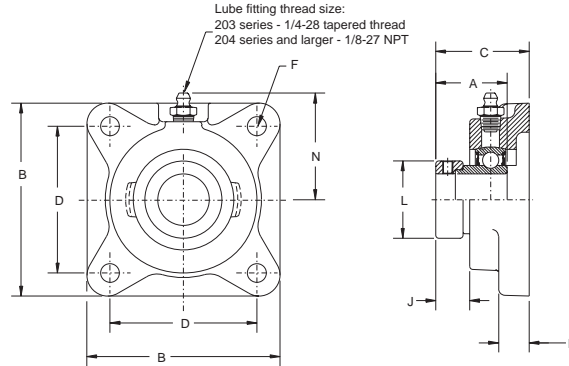
FEATURES/BENEFITS PAGE B4-2	NOMENCLATURE PAGE B4-4	SELECTION PAGE B4-5	RELATED PRODUCTS PAGE B4-85
--------------------------------	---------------------------	------------------------	--------------------------------

# SELECTION/DIMENSIONS

# DODGE®



## Eccentric Collar Ball Bearings SXV INTERMEDIATE DUTY 4-BOLT FLANGE BEARINGS



Series	Shaft Size	Standard	
		Part No.	Description
203	1/2	<b>130332</b>	F4B-SXV-008
	5/8	<b>130333</b>	F4B-SXV-010
	17mm	<b>125720</b>	F4B-SXV-17M
204	3/4	<b>131377</b>	F4B-SXV-012
	20mm	<b>125721</b>	F4B-SXV-20M
205	7/8	<b>131378</b>	F4B-SXV-014
	15/16	<b>131379</b>	F4B-SXV-015
	1	<b>131380</b>	F4B-SXV-100
	25mm	<b>125722</b>	F4B-SXV-25M
206	1-1/16	<b>131381</b>	F4B-SXV-101
	1-1/8	<b>131382</b>	F4B-SXV-102
	1-3/16	<b>131383</b>	F4B-SXV-103
	1-1/4	<b>131384</b>	F4B-SXV-104S
	30mm	<b>125723</b>	F4B-SXV-30M
207	1-1/4	<b>131385</b>	F4B-SXV-104
	1-5/16	<b>131386</b>	F4B-SXV-105
	1-3/8	<b>131387</b>	F4B-SXV-106
	1-7/16	<b>131388</b>	F4B-SXV-107
	35mm	<b>125724</b>	F4B-SXV-35M
208	1-1/2	<b>131389</b>	F4B-SXV-108
	40mm	<b>125725</b>	F4B-SXV-40M
209	1-11/16	<b>130334</b>	F4B-SXV-111
	1-3/4	<b>130335</b>	F4B-SXV-112
	45mm	<b>125726</b>	F4B-SXV-45M
210	1-15/16	<b>130336</b>	F4B-SXV-115
	2	<b>130337</b>	F4B-SXV-200
	50mm	<b>125727</b>	F4B-SXV-50M
211	2	<b>130338</b>	F4B-SXV-200L
	2-3/16	<b>130339</b>	F4B-SXV-203
	55mm	<b>125728</b>	F4B-SXV-55M

FEATURES/BENEFITS  
PAGE B4-2

NOMENCLATURE  
PAGE B4-4

SELECTION  
PAGE B4-5

RELATED PRODUCTS  
PAGE B4-85

# SELECTION/DIMENSIONS



Bearing Quick Reference

E-Z KLEEN

GRIP TIGHT Adapter Ball Bearing

Set Screw Ball Bearing

Eccentric Collar Ball Bearing

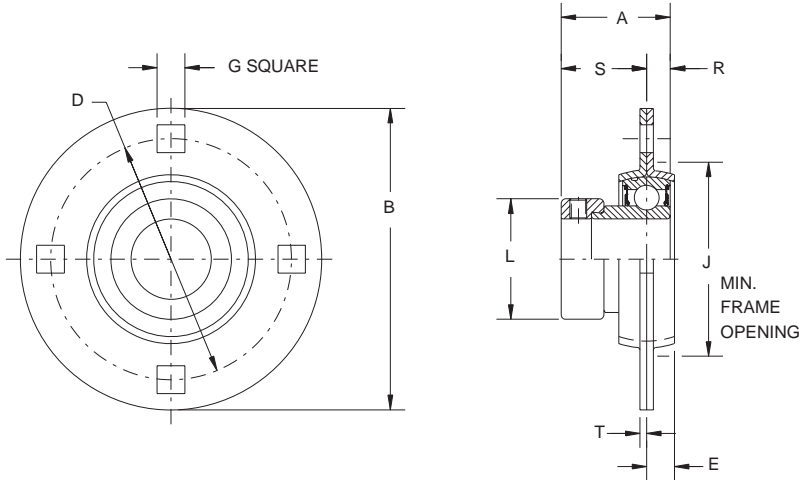
Series	Shaft Size	Weight lbs kg	A	B	C	D	F Bolt Dia.	H	J	L	N
203	1/2	1.1	1-1/8	3	1-3/16	2-1/8	3/8	7/16	9/16	1-1/8	1-11/16
	5/8	1.0									
	17mm	0.5	28.6	76.2	30.2	54.0	M10	11.1	14.3	28.6	43.3
204	3/4	1.7	1-7/32	3-3/8	1-3/8	2-1/2	3/8	7/16	37/64	1-5/16	1-15/16
	20mm	0.7	31.0	85.7	34.9	63.5	M10	11.1	14.7	33.3	49.7
205	7/8	2.3	1-7/32	3-3/4	1-23/64	2-3/4	7/16	1/2	35/64	1-1/2	2-1/16
	15/16	2.2									
	1	2.0									
206	25mm	0.9	31.0	95.3	34.5	69.9	M10	12.7	13.9	38.1	52.4
	1-1/16	3.4	1-13/32	4-1/4	1-17/32	3-1/4	7/16	1/2	39/64	1-3/4	2-3/16
	1-1/8	3.3									
	1-3/16	3.2									
207	1-1/4	3.0									
	30mm	1.4	35.7	108.0	38.9	82.6	M10	12.7	15.5	44.5	55.6
	1-1/4	4.6	1-17/32	4-3/4	1-7/8	3-5/8	1/2	9/16	21/32	2-1/8	2-7/16
	1-5/16	4.5									
	1-3/8	4.3									
208	1-7/16	4.2									
	35mm	1.9	38.9	120.7	47.6	92.1	M12	14.3	16.7	54.0	61.9
	1-1/2	5.0	1-23/32	5-1/8	2-1/16	4	1/2	9/16	23/32	2-3/8	2-3/8
209	40mm	2.2	43.7	130.2	52.4	101.6	M12	14.3	18.3	60.3	60.9
	1-11/16	6.2	1-23/32	5-3/8	2-1/8	4-1/8	1/2	5/8	11/16	2-1/2	2-3/4
	1-3/4	6.0									
210	45mm	2.7	43.7	136.5	53.9	104.8	M14	15.9	17.5	63.5	70.5
	1-15/16	7.0	1-23/32	5-5/8	2-1/8	4-3/8	1/2	5/8	21/32	2-3/4	2-7/8
	2	6.8									
211	50mm	3.0	43.7	142.9	53.9	111.1	M16	15.9	16.7	69.9	73.7
	2	10.0	1-29/32	6-1/2	2-5/32	5-1/8	5/8	11/16	25/32	3	3-1/4
	2-3/16	9.7									
211	55mm	4.3	48.4	165.1	54.8	130.2	M16	17.5	19.8	76.2	83.3

FEATURES/BENEFITS PAGE B4-2	NOMENCLATURE PAGE B4-4	SELECTION PAGE B4-5	RELATED PRODUCTS PAGE B4-85
--------------------------------	---------------------------	------------------------	--------------------------------

# SELECTION/DIMENSIONS



## Eccentric Collar Ball Bearings SLX LIGHT DUTY 4-BOLT FLANGE BEARINGS



Series	Shaft Size	Standard	
		Part No.	Description
208	1-1/2	<b>128192</b>	F4B-SLX-108
	40mm	@	F4B-SLX-40M
210	1-15/16	<b>128193</b>	F4B-SLX-115
	2	<b>128194</b>	F4B-SLX-200
	50mm	@	F4B-SLX-50M
211	2	<b>128195</b>	F4B-SLX-200L
	2-3/16	<b>128196</b>	F4B-SLX-203
	55mm	@	F4B-SLX-55M

@ Assembled to order

FEATURES/BENEFITS PAGE B4-2	NOMENCLATURE PAGE B4-4	SELECTION PAGE B4-5	RELATED PRODUCTS PAGE B4-85
--------------------------------	---------------------------	------------------------	--------------------------------

# SELECTION/DIMENSIONS



## Eccentric Collar Ball Bearings SLX LIGHT DUTY 4-BOLT FLANGE BEARINGS

Bearing Quick Reference

E-Z KLEEN

GRIP TIGHT Adapter Ball Bearing

Set Screw Ball Bearing

Eccentric Collar Ball Bearing

Series	Shaft Size	Weight lbs kg	A	B	D	E	G*	J	L	R	S	T	Housing Radial Load Rating (lbs)
208	1-1/2	3.00	1-23/32	5-13/16	4-11/16	13/32	17/32	3-9/16	2-3/8	7/16	1-9/32	.134	1,700
	40mm	1.38	43.7	147.6	119.1	10.3	13.5	90.5	60.3	11.1	32.5	3.4	7,556
210	1-15/16	3.55	1-23/32	6-1/8	5	7/16	17/32	4	2-3/4	7/16	1-9/32	.149	1,900
	2 50mm	3.40 1.63	43.7	155.6	127.0	11.1	13.5	101.6	69.9	11.1	32.75	3.8	8,444
211	2	4.64	1-29/32	6-9/16	5-7/16	15/32	17/32	4-7/16	3	15/32	1-7/16	.149	2,300
	2-3/16 55mm	4.35 2.14	48.4	166.7	138.1	11.9	13.5	112.7	76.2	11.9	36.5	3.8	10,222

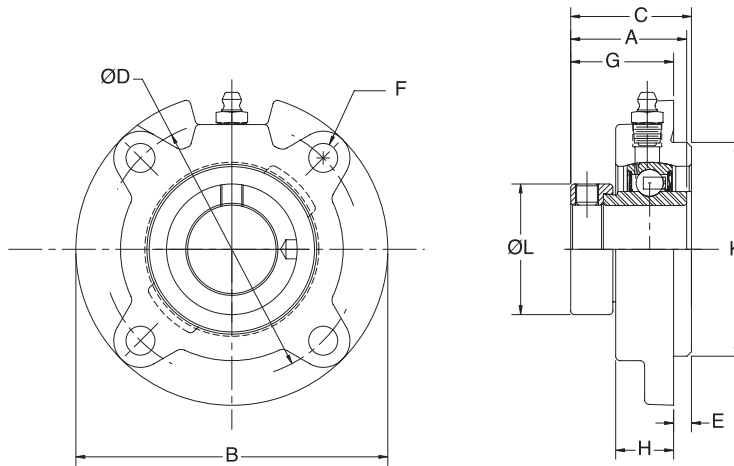
\*Mounting bolt holes will accept carriage or machine bolts.

FEATURES/BENEFITS PAGE B4-2	NOMENCLATURE PAGE B4-4	SELECTION PAGE B4-5	RELATED PRODUCTS PAGE B4-85
--------------------------------	---------------------------	------------------------	--------------------------------

# SELECTION/DIMENSIONS



## Eccentric Collar Ball Bearings SXR NORMAL DUTY PILOTED FLANGE BEARINGS



Series	Shaft Size	Standard	
		Part No.	Description
206	1-1/16	@	FC-SXR-101
	1-1/8	@	FC-SXR-102
	1-3/16	@	FC-SXR-103
	1-1/4	<b>068092</b>	FC-SXR-104S
	30mm	<b>130838</b>	FC-SXR-30M
207	1-1/4	<b>062899</b>	FC-SXR-104
	1-5/16	@	FC-SXR-105
	1-3/8	@	FC-SXR-106
	1-7/16	<b>064762</b>	FC-SXR-107
	35mm	<b>130839</b>	FC-SXR-35M
208	1-1/2	<b>049950</b>	FC-SXR-108
	1-5/8		
	40mm	<b>130840</b>	FC-SXR-40M
209	1-5/8	@	FC-SXR-110
	1-11/16	<b>049470</b>	FC-SXR-111
	1-3/4	<b>065666</b>	FC-SXR-112
	45mm	<b>130841</b>	FC-SXR-45M
210	1-15/16	<b>064178</b>	FC-SXR-115
	2	<b>064096</b>	FC-SXR-200
	50mm	<b>130842</b>	FC-SXR-50M
211	2	<b>052959</b>	FC-SXR-200L
	2-3/16	<b>049884</b>	FC-SXR-203
	55mm	<b>065555</b>	FC-SXR-55M
212	2-1/4	@	FC-SXR-204
	2-7/16	<b>052567</b>	FC-SXR-207
	60mm	<b>130843</b>	FC-SXR-60M

@ Assembled to order

FEATURES/BENEFITS PAGE B4-2	NOMENCLATURE PAGE B4-4	SELECTION PAGE B4-5	RELATED PRODUCTS PAGE B4-85
--------------------------------	---------------------------	------------------------	--------------------------------



# SELECTION/DIMENSIONS



## Eccentric Collar Ball Bearings SXR NORMAL DUTY PILOTED FLANGE BEARINGS

Bearing Quick Reference

E-Z KLEEN

GRIP TIGHT Adapter Ball Bearing

Set Screw Ball Bearing

Eccentric Collar Ball Bearing

Series	Shaft Size	Weight lbs kg	A	B	C	D	E	F Bolt Dia.	G	H	K*	L
206	1-1/16	3.4	1-29/32	4-3/8	1-25/32	3-5/8	1/4	3/8	1-17/32	13/16	3	1-3/4
	1-1/8	3.4										
	1-3/16	3.2										
	1-1/4	3.1										
	30mm	1.4										
207	1-1/4	4.6	2-1/64	5	2	4-1/8	3/8	3/8	1-41/64	27/32	3-3/8	2-1/8
	1-5/16	4.5										
	1-3/8	4.3										
	1-7/16	4.2										
	35mm	1.9										
208	1-1/2	5.1	2-7/32	5-1/4	2-11/64	4-3/8	7/16	7/16	1-47/64	57/64	3-5/8	2-3/8
	1-5/8											
	40mm	2.2										
209	1-5/8	6.1	2-7/32	5-3/4	2-1/64	4-3/4	7/16	1/2	1-45/64	29/32	4	2-1/2
	1-11/16	5.9										
	1-3/4	5.9										
	45mm	2.6										
210	1-15/16	7.1	2-15/32	6-1/8	2-19/64	5-1/8	15/32	1/2	1-53/64	59/64	4-1/4	2-3/4
	2	6.9										
	50mm	3.2										
211	2	8.4	2-13/16	6-3/8	2-23/32	5-3/8	5/8	1/2	2-3/32	1	4-1/2	3
	2-3/16	8.1										
	55mm	3.7										
212	2-1/4	10.7	3-1/16	7-1/8	2-63/64	6	7/8	1/2	2-7/64	1	5	3-5/16
	2-7/16	10.5										
	60mm	4.9										

\* +0.000" -0.002"

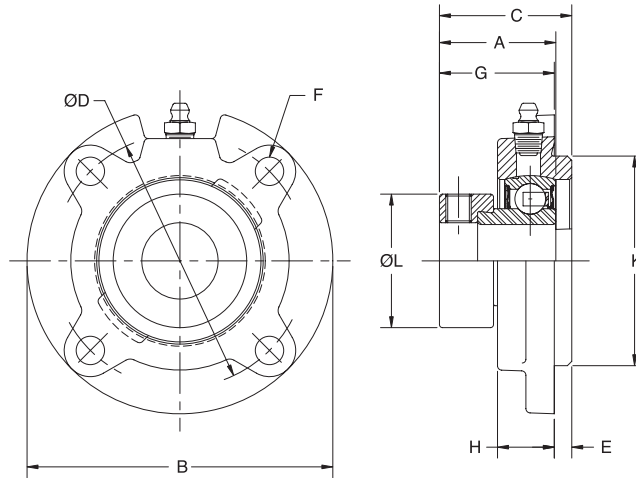
\* +0.00 -0.05mm

FEATURES/BENEFITS PAGE B4-2	NOMENCLATURE PAGE B4-4	SELECTION PAGE B4-5	RELATED PRODUCTS PAGE B4-85
--------------------------------	---------------------------	------------------------	--------------------------------

# SELECTION/DIMENSIONS



## Eccentric Collar Ball Bearings SXV INTERMEDIATE DUTY PILOTED FLANGE BEARINGS



Series	Shaft Size	Standard	
		Part No.	Description
206	1-1/16	@	FC-SXV-101
	1-1/8	@	FC-SXV-102
	1-3/16	@	FC-SXV-103
	1-1/4	@	FC-SXV-104S
	30mm	<b>130788</b>	<i>FC-SXV-30M</i>
207	1-1/4	@	FC-SXV-104
	1-5/16	@	FC-SXV-105
	1-3/8	@	FC-SXV-106
	1-7/16	<b>062337</b>	FC-SXV-107
	35mm	<b>130789</b>	<i>FC-SXV-35M</i>
208	1-1/2	@	FC-SXV-108
	40mm	<b>130790</b>	<i>FC-SXV-40M</i>
209	1-11/16	<b>062339</b>	FC-SXV-111
	1-3/4	@	FC-SXV-112
	45mm	<b>130791</b>	<i>FC-SXV-45M</i>
210	1-15/16	@	FC-SXV-115
	2	@	FC-SXV-200
	50mm	<b>130792</b>	<i>FC-SXV-50M</i>
211	2	@	FC-SXV-200L
	2-3/16	@	FC-SXV-203
	55mm	@	<i>FC-SXV-55M</i>

@ Assembled to order

FEATURES/BENEFITS PAGE B4-2	NOMENCLATURE PAGE B4-4	SELECTION PAGE B4-5	RELATED PRODUCTS PAGE B4-85
--------------------------------	---------------------------	------------------------	--------------------------------

# SELECTION/DIMENSIONS



## Eccentric Collar Ball Bearings SXV INTERMEDIATE DUTY PILOTED FLANGE BEARINGS

Bearing Quick Reference

E-Z KLEEN

GRIP TIGHT Adapter Ball Bearing

Set Screw Ball Bearing

Eccentric Collar Ball Bearing

Series	Shaft Size	Weight lbs kg	A	B	C	D	E	F Bolt Dia.	G	H	K*	L
206	1-1/16	3.2	1-13/32	4-3/8	1-41/64	3-5/8	1/4	3/8	1-25/64	13/16	3	1-3/4
	1-1/8	3.1										
	1-3/16	3.0										
	1-1/4	2.9										
207	30mm	1.3	35.7	111.1	41.8	92.1	6.4	M10	35.5	20.6	76.2	44.5
	1-1/4	4.2	1-17/32	5	1-57/64	4-1/8	3/8	3/8	1-33/64	27/32	3-3/8	2-1/8
	1-5/16	4.1										
	1-3/8	4.0										
	1-7/16	3.9										
208	35mm	1.8	38.9	127.0	48.0	104.8	9.5	M10	38.5	21.4	85.7	54.0
	1-1/2	4.6	1-23/32	5-1/4	2-5/64	4-3/8	7/16	7/16	1-41/64	57/64	3-5/8	2-3/8
209	40mm	2.0	43.7	133.4	52.9	111.1	11.1	M12	41.8	22.6	92.1	60.3
	1-11/16	5.5	1-23/32	5-3/4	2-3/64	4-3/4	7/16	1/2	1-39/64	29/32	4	2-1/2
210	1-3/4	5.4										
	45mm	2.4	43.7	146.1	52.1	120.7	11.1	M12	41.0	23.0	101.6	63.5
	1-15/16	6.4	1-23/32	6-1/8	2-5/64	5-1/8	15/32	1/2	1-39/64	59/64	4-1/4	2-3/4
211	2	6.3										
	50mm	2.9	43.7	155.6	52.9	130.2	11.9	M12	41.0	23.4	108.0	69.9
	2	7.3	1-29/32	6-3/8	2-7/16	5-3/8	5/8	1/2	1-13/16	1	4-1/2	3
211	2-3/16	7.2										
	55mm	3.3	48.4	161.9	61.9	136.5	15.9	M12	46.1	25.4	114.3	76.2

\* +0.000" -0.002"

\* +0.00 -0.05mm

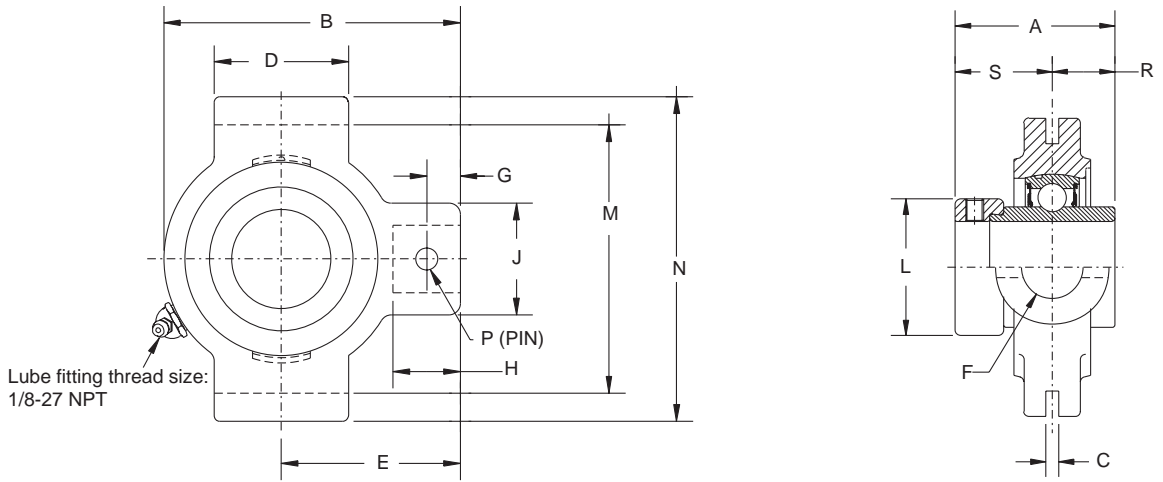
FEATURES/BENEFITS PAGE B4-2	NOMENCLATURE PAGE B4-4	SELECTION PAGE B4-5	RELATED PRODUCTS PAGE B4-85
--------------------------------	---------------------------	------------------------	--------------------------------

# SELECTION/DIMENSIONS

# DODGE®



## Eccentric Collar Ball Bearings SXR NORMAL DUTY NARROW SLOT TAKE-UP BEARINGS



Series	Shaft Size	Standard	
		Part No.	Description
204	3/4	<b>131154</b>	NSTU-SXR-012
205	7/8	<b>131156</b>	NSTU-SXR-014
	15/16	<b>131157</b>	NSTU-SXR-015
	1	<b>131158</b>	NSTU-SXR-100
206	1-1/16	<b>131159</b>	NSTU-SXR-101
	1-1/8	<b>131160</b>	NSTU-SXR-102
	1-3/16	<b>131161</b>	NSTU-SXR-103
	1-1/4	<b>@</b>	NSTU-SXR-104S
207	1-1/4	<b>131163</b>	NSTU-SXR-104
	1-5/16	<b>131164</b>	NSTU-SXR-105
	1-3/8	<b>131165</b>	NSTU-SXR-106
	1-7/16	<b>131166</b>	NSTU-SXR-107
208	1-1/2	<b>131167</b>	NSTU-SXR-108
209	1-5/8	<b>131170</b>	NSTU-SXR-110
	1-11/16	<b>131171</b>	NSTU-SXR-111
	1-3/4	<b>131172</b>	NSTU-SXR-112
210	1-15/16	<b>131175</b>	NSTU-SXR-115
	2	<b>131177</b>	NSTU-SXR-200
211	2	<b>@</b>	NSTU-SXR-200L
	2-3/16	<b>131180</b>	NSTU-SXR-203
212	2-1/4	<b>131182</b>	NSTU-SXR-204
	2-7/16	<b>131185</b>	NSTU-SXR-207

@ Assembled to order

FEATURES/BENEFITS  
PAGE B4-2

NOMENCLATURE  
PAGE B4-4

SELECTION  
PAGE B4-5

RELATED PRODUCTS  
PAGE B4-85

# SELECTION/DIMENSIONS



## Eccentric Collar Ball Bearings SXR NORMAL DUTY NARROW SLOT TAKE-UP BEARINGS

Bearing Quick Reference

E-Z KLEEN

GRIP TIGHT Adapter Ball Bearing

Set Screw Ball Bearing

Eccentric Collar Ball Bearing

Series	Shaft Size	Weight lbs	Take-Up Frame Size	A	B	C*	D	E	F Screw Dia.	G	H	J	L	M#	N	P Pin Dia.	R	S
204	3/4	1.5	NS210	1-23/32	3-1/2	1/4	1-1/2	2-3/16	3/4	7/16	7/8	1-3/8	1-5/16	2-5/8	3-1/8	5/16	43/64	1-3/64
205	7/8	1.7	NS210	1-3/4	3-9/16	1/4	1-1/2	2-3/16	3/4	7/16	7/8	1-3/8	1-1/2	2-5/8	3-1/8	5/16	11/16	1-1/16
	15/16	1.6																
	1	1.5																
206	1-1/16	2.9	NS308	1-29/32	4-5/16	1/4	2-1/2	2-11/16	3/4	1/2	15/16	1-3/8	1-3/4	3-1/2	4-1/8	5/16	23/32	1-3/16
	1-1/8	2.8																
	1-3/16	2.6																
	1-1/4	2.5																
207	1-1/4	3.0	NS308	2-1/64	4-1/2	1/4	2-1/2	2-11/16	3/4	1/2	15/16	1-3/8	2-1/8	3-1/2	4-1/8	5/16	47/64	1-9/32
	1-5/16	2.8																
	1-3/8	2.7																
	1-7/16	2.5																
208	1-1/2	5.0	NS400	2-7/32	5-3/8	5/16	3	3-1/4	7/8	21/32	1-5/32	1-5/8	2-3/8	4	4-3/4	3/8	27/32	1-3/8
	1-5/8	5.4																
209	1-11/16	5.2	NS400	2-7/32	5-7/16	5/16	3	3-1/4	7/8	23/32	1-7/32	1-5/8	2-1/2	4	4-3/4	3/8	27/32	1-3/8
	1-3/4	5.0																
210	1-15/16	5.7	NS400	2-15/32	5-1/2	5/16	3	3-1/4	7/8	21/32	1-5/32	1-5/8	2-3/4	4	4-3/4	3/8	31/32	1-1/2
	2	5.3																
211	2	7.4	NS407	2-13/16	6-1/8	5/16	3-1/2	3-5/8	1	11/16	1-9/32	1-3/4	3	4-7/16	5-3/8	7/16	1-3/32	1-23/32
	2-3/16	7.2																
212	2-1/4	10.0	NS415	3-1/16	6-11/16	5/16	3-3/4	3-7/8	1	11/16	1-9/32	1-5/8	3-5/16	4-15/16	5-3/4	7/16	1-7/32	1-27/32
	2-7/16	9.0																

\* + or -.015"

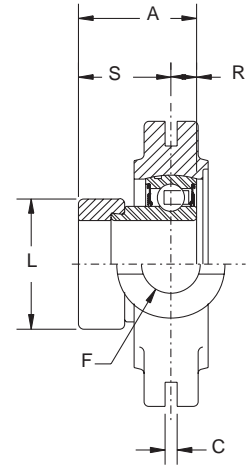
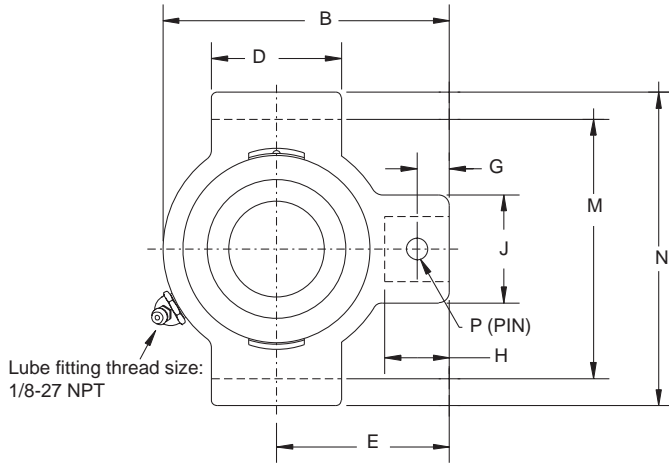
# +.010, -.020"

FEATURES/BENEFITS PAGE B4-2	NOMENCLATURE PAGE B4-4	SELECTION PAGE B4-5	RELATED PRODUCTS PAGE B4-85
--------------------------------	---------------------------	------------------------	--------------------------------

# SELECTION/DIMENSIONS



## Eccentric Collar Ball Bearings SXV INTERMEDIATE DUTY NARROW SLOT TAKE-UP BEARINGS



Series	Shaft Size	Standard	
		Part No.	Description
204	3/4	<b>131186</b>	NSTU-SXV-012
205	7/8	<b>131187</b>	NSTU-SXV-014
	15/16	<b>131188</b>	NSTU-SXV-015
	1	<b>131189</b>	NSTU-SXV-100
206	1-1/16	<b>131190</b>	NSTU-SXV-101
	1-1/8	<b>131191</b>	NSTU-SXV-102
	1-3/16	<b>131192</b>	NSTU-SXV-103
	1-1/4	<b>131193</b>	NSTU-SXV-104S
207	1-1/4	<b>131194</b>	NSTU-SXV-104
	1-5/16	<b>131195</b>	NSTU-SXV-105
	1-3/8	<b>131196</b>	NSTU-SXV-106
	1-7/16	<b>131197</b>	NSTU-SXV-107
208	1-1/2	<b>131198</b>	NSTU-SXV-108
209	1-11/16	<b>130340</b>	NSTU-SXV-111
	1-3/4	<b>130341</b>	NSTU-SXV-112
210	1-15/16	<b>130342</b>	NSTU-SXV-115
	2	<b>130343</b>	NSTU-SXV-200
211	2	<b>130344</b>	NSTU-SXV-200L
	2-3/16	<b>130345</b>	NSTU-SXV-203

FEATURES/BENEFITS PAGE B4-2	NOMENCLATURE PAGE B4-4	SELECTION PAGE B4-5	RELATED PRODUCTS PAGE B4-85
--------------------------------	---------------------------	------------------------	--------------------------------

# SELECTION/DIMENSIONS



## Eccentric Collar Ball Bearings SXV INTERMEDIATE DUTY NARROW SLOT TAKE-UP BEARINGS

Series	Shaft Size	Weight lbs	Take-Up Frame Size	A	B	C*	D	E	F Screw Dia.	G	H	J	L	M#	N	P Pin Dia.	R	S
204	3/4	1.3	NS210	1-7/32	3-1/2	1/4	1-1/2	2-3/16	3/4	7/16	7/8	1-3/8	1-5/16	2-5/8	3-1/8	5/16	19/64	59/64
205	7/8	1.7	NS210	1-7/32	3-9/16	1/4	1-1/2	2-3/16	3/4	7/16	7/8	1-3/8	1-1/2	2-5/8	3-1/8	5/16	19/64	59/64
	15/16	1.6																
	1	1.5																
206	1-1/16	2.9	NS308	1-13/32	4-5/16	1/4	2-1/2	2-11/16	3/4	1/2	15/16	1-3/8	1-3/4	3-1/2	4-1/8	5/16	23/64	1-3/64
	1-1/8	2.8																
	1-3/16	2.6																
	1-1/4	2.5																
207	1-1/4	2.8	NS308	1-17/32	4-1/2	1/4	2-1/2	2-11/16	3/4	1/2	15/16	1-3/8	2-1/8	3-1/2	4-1/8	5/16	3/8	1-5/32
	1-5/16	2.7																
	1-3/8	2.6																
	1-7/16	2.5																
208	1-1/2	4.7	NS400	1-23/32	5-3/8	5/16	3	3-1/4	7/8	21/32	1-5/32	1-5/8	2-3/8	4	4-3/4	3/8	7/16	1-9/32
209	1-11/16	4.8	NS400	1-23/32	5-7/16	5/16	3	3-1/4	7/8	23/32	1-7/32	1-5/8	2-1/2	4	4-3/4	3/8	7/16	1-9/32
	1-3/4	4.7																
210	1-15/16	4.9	NS400	1-23/32	5-1/2	5/16	3	3-1/4	7/8	21/32	1-5/32	1-5/8	2-3/4	4	4-3/4	3/8	7/16	1-9/32
211	2	6.8	NS407	1-29/32	6-1/8	5/16	3-1/2	3-5/8	1	11/16	1-9/32	1-3/4	3	4-7/16	5-3/8	7/16	15/32	1-7/16
	2-3/16	6.8																

\* + or -.015"

# +.010, -.020"

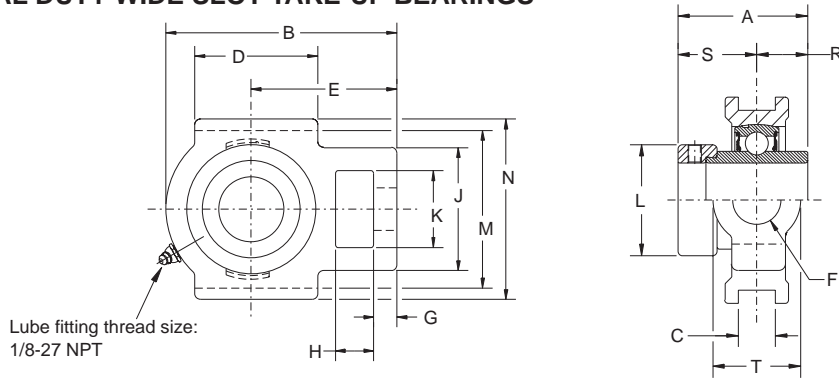
FEATURES/BENEFITS PAGE B4-2	NOMENCLATURE PAGE B4-4	SELECTION PAGE B4-5	RELATED PRODUCTS PAGE B4-85
--------------------------------	---------------------------	------------------------	--------------------------------

# SELECTION/DIMENSIONS

# DODGE®



## Eccentric Collar Ball Bearings SXR NORMAL DUTY WIDE SLOT TAKE-UP BEARINGS



Series	Shaft Size	Standard		No Lube/Sealed for Life (-NL)	
		Part No.	Description	Part No.	Description
204	3/4	<b>131204</b>	WSTU-SXR-012	@	WSTU-SXR-012-NL
	20mm	<b>130845</b>	WSTU-SXR-20M	@	WSTU-SXR-20M-NL
205	7/8	<b>131206</b>	WSTU-SXR-014	<b>068471</b>	WSTU-SXR-014-NL
	15/16	<b>131207</b>	WSTU-SXR-015	@	WSTU-SXR-015-NL
	1	<b>131208</b>	WSTU-SXR-100	@	WSTU-SXR-100-NL
	25mm	<b>130846</b>	WSTU-SXR-25M	@	WSTU-SXR-25M-NL
206	1-1/16	<b>131209</b>	WSTU-SXR-101	@	WSTU-SXR-101-NL
	1-1/8	<b>131210</b>	WSTU-SXR-102	@	WSTU-SXR-102-NL
	1-3/16	<b>131211</b>	WSTU-SXR-103	<b>065634</b>	WSTU-SXR-103-NL
	1-1/4	@	WSTU-SXR-104S	@	WSTU-SXR-104S-NL
	30mm	<b>130847</b>	WSTU-SXR-30M	@	WSTU-SXR-30M-NL
207	1-1/4	<b>131213</b>	WSTU-SXR-104	<b>068471</b>	WSTU-SXR-104-NL
	1-5/16	<b>131214</b>	WSTU-SXR-105	@	WSTU-SXR-105-NL
	1-3/8	<b>131215</b>	WSTU-SXR-106	@	WSTU-SXR-106-NL
	1-7/16	<b>131216</b>	WSTU-SXR-107	<b>051606</b>	WSTU-SXR-107-NL
	35mm	<b>130848</b>	WSTU-SXR-35M	@	WSTU-SXR-35M-NL
208	1-1/2	<b>131217</b>	WSTU-SXR-108	<b>058996</b>	WSTU-SXR-108-NL
	40mm	<b>130849</b>	WSTU-SXR-40M	@	WSTU-SXR-40M-NL
209	1-5/8	<b>131220</b>	WSTU-SXR-110	@	WSTU-SXR-110-NL
	1-11/16	<b>131221</b>	WSTU-SXR-111	@	WSTU-SXR-111-NL
	1-3/4	<b>131222</b>	WSTU-SXR-112	@	WSTU-SXR-112-NL
	45mm	<b>130850</b>	WSTU-SXR-45M	@	WSTU-SXR-45M-NL
210	1-15/16	<b>131225</b>	WSTU-SXR-115	@	WSTU-SXR-115-NL
	2	<b>131227</b>	WSTU-SXR-200	<b>049845</b>	WSTU-SXR-200-NL
	50mm	<b>130851</b>	WSTU-SXR-50M	@	WSTU-SXR-50M-NL
211	2	@	WSTU-SXR-200L	@	WSTU-SXR-200L-NL
	2-3/16	<b>131230</b>	WSTU-SXR-203	@	WSTU-SXR-203-NL
	55mm	<b>130852</b>	WSTU-SXR-55M	@	WSTU-SXR-55M-NL
212	2-1/4	<b>131232</b>	WSTU-SXR-204	@	WSTU-SXR-204-NL
	2-7/16	<b>131235</b>	WSTU-SXR-207	<b>052045</b>	WSTU-SXR-207-NL
	60mm	<b>130853</b>	WSTU-SXR-60M	@	WSTU-SXR-60M-NL
215	2-15/16	<b>049385</b>	WSTU-SXR-215	@	WSTU-SXR-215-NL
	75mm	<b>130854</b>	WSTU-SXR-75M	@	WSTU-SXR-75M-NL

@ Assembled to order

FEATURES/BENEFITS PAGE B4-2	NOMENCLATURE PAGE B4-4	SELECTION PAGE B4-5	RELATED PRODUCTS PAGE B4-85
--------------------------------	---------------------------	------------------------	--------------------------------



# SELECTION/DIMENSIONS



## Eccentric Collar Ball Bearings SXR NORMAL DUTY WIDE SLOT TAKE-UP BEARINGS

Series	Shaft Size	Weight lbs kg	Take-Up Frame Size	A	B	C*	D	E	F Screw Dia.	G	H	J	K	L	M#	N	R	S	T
204	3/4 20mm	2.1 1.0	WS300	1-23/32 43.7	3-11/16 93.7	17/32 13.5	2 50.8	2-3/8 60.3	5/8 15.9	3/8 9.5	5/8 15.9	2 50.8	1-1/4 31.8	1-5/16 33.3	3 76.2	3-5/8 92.1	43/64 17.1	1-3/64 26.6	1-3/8 34.9
	7/8 15/16 1 25mm	2.3 2.2 2.1 1.0		WS300	1-3/4 44.5	3-13/16 96.8	17/32 13.5	2 50.8	2-7/16 61.9	5/8 15.9	3/8 9.5	5/8 15.9	2 50.8	1-5/16 33.3	1-1/2 38.1	3 76.2	3-5/8 92.1	11/16 17.5	1-1/16 27.0
206	1-1/16	3.1	WS308		1-29/32 48.4	4-3/8 111.1	17/32 13.5	2-1/4 57.2	2-3/4 69.9	3/4 19.1	3/8 9.5	5/8 15.9	2-3/16 55.6	1-7/16 36.5	1-3/4 44.5	3-1/2 88.9	4-1/8 104.8	23/32 18.3	1-3/16 30.2
	1-1/8	2.9																	
	1-3/16	2.8																	
	1-1/4 30mm	2.7 1.3																	
207	1-1/4	3.8	WS308	2-1/64 52.3	4-7/8 123.8	17/32 13.5	2-1/2 63.5	3-1/16 77.8	3/4 19.1	1/2 12.7	5/8 15.9	2-1/2 63.5	1-7/16 36.5	2-1/8 54.0	3-1/2 88.9	4-1/8 104.8	47/64 18.8	1-9/32 32.4	1-5/8 41.3
	1-5/16	3.7																	
	1-3/8	3.6																	
	1-7/16 35mm	3.5 1.6																	
208	1-1/2 40mm	6.2 2.8	WS400	2-7/32 56.4	5-11/16 144.5	11/16 17.5	3-1/4 82.6	3-1/2 88.9	1 25.4	5/8 15.9	3/4 19.1	3-1/4 82.6	1-15/16 49.2	2-3/8 60.3	4 101.6	4-1/2 114.3	27/32 21.4	1-3/8 34.9	1-15/16 49.2
	1-5/8 1-11/16 1-3/4 45mm	6.5 6.4 6.3 2.9		WS400	2-7/32 56.4	5-5/8 142.9	11/16 17.5	3-1/4 82.6	3-7/16 87.3	1 25.4	5/8 15.9	3/4 19.1	3-1/4 82.6	1-15/16 49.2	2-1/2 63.5	4 101.6	4-3/4 120.7	27/32 21.4	1-3/8 34.9
210	1-15/16 2 50mm	6.9 6.8 3.1	WS400		2-15/32 62.7	5-13/16 147.6	11/16 17.5	3-3/8 85.7	3-9/16 90.5	1 25.4	5/8 15.9	3/4 19.1	3-1/4 82.6	1-15/16 49.2	2-3/4 69.9	4 101.6	4-3/4 120.7	31/32 24.6	1-1/2 38.1
	2 2-3/16 55mm	10.3 10.0 4.7		WS502	2-13/16 71.4	6-11/16 169.9	1-1/16 27.0	3-3/4 95.3	4-3/16 106.4	1-1/4 31.8	3/4 19.1	1 25.4	4 101.6	2-1/2 63.5	3 76.2	5-1/8 130.2	5-7/8 149.2	1-3/32 27.8	1-23/32 43.7
212	2-1/4 2-7/16 60mm	13.0 12.8 5.9	WS502		3-1/16 77.8	7-1/2 190.5	1-1/16 27.0	4 101.6	4-11/16 119.1	1-1/4 31.8	3/4 19.1	1-1/4 31.8	4 101.6	2-1/2 63.5	3-5/16 84.1	5-1/8 130.2	5-7/8 149.2	1-7/32 31.0	1-27/32 46.8
	2-15/16 75mm	21.0 9.6		WS515	3-5/8 92.1	9-1/8 231.8	1-1/16 27.0	4-3/4 120.7	5-1/2 139.7	1-1/2 38.1	13/16 20.6	1-1/4 31.8	4-3/8 111.1	2-3/4 69.9	4 101.6	5-15/16 150.8	6-11/16 169.9	1-15/32 37.3	2-5/32 54.8

\*+ or -.015", + or -.38mm

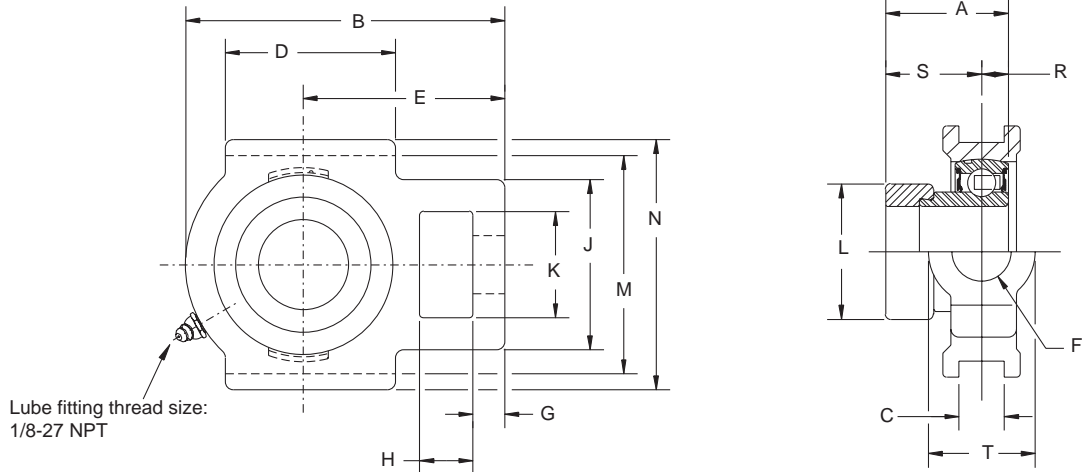
\*+ or -.015", + or -.38mm

FEATURES/BENEFITS PAGE B4-2	NOMENCLATURE PAGE B4-4	SELECTION PAGE B4-5	RELATED PRODUCTS PAGE B4-85
--------------------------------	---------------------------	------------------------	--------------------------------

# SELECTION/DIMENSIONS



## Eccentric Collar Ball Bearings SXV INTERMEDIATE DUTY WIDE SLOT TAKE-UP BEARINGS



Series	Shaft Size	Standard	
		Part No.	Description
204	3/4	<b>131238</b>	WSTU-SXV-012
	20mm	<b>130793</b>	WSTU-SXV-20M
205	7/8	<b>131239</b>	WSTU-SXV-014
	15/16	<b>131240</b>	WSTU-SXV-015
	1	<b>131241</b>	WSTU-SXV-100
	25mm	<b>130794</b>	WSTU-SXV-25M
206	1-1/8	<b>131243</b>	WSTU-SXV-102
	1-3/16	<b>131244</b>	WSTU-SXV-103
	1-1/4	<b>131245</b>	WSTU-SXV-104S
	30mm	<b>130795</b>	WSTU-SXV-30M
207	1-1/4	<b>131246</b>	WSTU-SXV-104
	1-3/8	<b>131248</b>	WSTU-SXV-106
	1-7/16	<b>131249</b>	WSTU-SXV-107
	35mm	<b>130796</b>	WSTU-SXV-35M
208	1-1/2	<b>131250</b>	WSTU-SXV-108
	40mm	<b>130797</b>	WSTU-SXV-40M
209	1-11/16	<b>130346</b>	WSTU-SXV-111
	1-3/4	<b>130347</b>	WSTU-SXV-112
	45mm	<b>130798</b>	WSTU-SXV-45M
210	1-15/16	<b>130348</b>	WSTU-SXV-115
	2	<b>130349</b>	WSTU-SXV-200
	50mm	<b>130799</b>	WSTU-SXV-50M
211	2	<b>130350</b>	WSTU-SXV-200L
	2-3/16	<b>130351</b>	WSTU-SXV-203
	55mm	<b>@</b>	WSTU-SXV-55M

@ Assemble to order

FEATURES/BENEFITS PAGE B4-2	NOMENCLATURE PAGE B4-4	SELECTION PAGE B4-5	RELATED PRODUCTS PAGE B4-85
--------------------------------	---------------------------	------------------------	--------------------------------

# SELECTION/DIMENSIONS



## Eccentric Collar Ball Bearings SXV INTERMEDIATE DUTY WIDE SLOT TAKE-UP BEARINGS

Bearing Quick Reference

E-Z KLEEN

GRIP TIGHT Adapter Ball Bearing

Set Screw Ball Bearing

Eccentric Collar Ball Bearing

Series	Shaft Size	Weight lbs kg	Take-Up Frame Size	A	B	C*	D	E	F Screw Dia.	G	H	J	K	L	M#	N	R	S	T
204	3/4 20mm	1.2 0.5	WS300	1-7/32 31.0	3-11/16 93.7	17/32 13.5	2 50.8	2-3/8 60.3	5/8 15.9	3/8 9.5	5/8 15.9	2 50.8	1-1/4 31.8	1-5/16 33.3	3 76.2	3-5/8 92.1	19/64 7.5	59/64 23.4	1-3/8 34.9
	7/8 15/16 1 25mm	1.7 1.6 1.5 0.7		1-7/32 31.0	3-13/16 96.8	17/32 13.5	2 50.8	2-7/16 61.9	5/8 15.9	3/8 9.5	5/8 15.9	2 50.8	1-5/16 33.3	1-1/2 38.1	3 76.2	3-5/8 92.1	19/64 11.5	59/64 19.4	1-3/8 34.9
205	1-1/8 1-3/16 1-1/4 30mm	2.8 2.6 2.5 1.2	WS308	1-13/32 35.7	4-3/8 111.1	17/32 13.5	2-1/4 57.2	2-3/4 69.9	3/4 19.1	3/8 9.5	5/8 15.9	2-3/16 55.6	1-7/16 36.5	1-3/4 44.5	3-1/2 88.9	4-1/8 104.8	23/64 9.1	1-3/64 26.7	1-5/8 41.3
	1-1/4 1-3/8 1-7/16 35mm	2.8 2.6 2.5		1-17/32 38.9	4-7/8 123.8	17/32 13.5	2-1/2 63.5	3-1/16 77.8	3/4 19.1	1/2 12.7	5/8 15.9	2-1/2 63.5	1-7/16 36.5	2-1/8 54.0	3-1/2 88.9	4-1/8 104.8	3/8 9.5	1-5/32 29.4	1-5/8 41.3
206	1-1/2 40mm	4.7 2.2	WS400	1-23/32 43.7	5-11/16 144.5	11/16 17.5	3-1/4 82.6	3-1/2 88.9	1 25.4	5/8 15.9	3/4 19.1	3-1/4 82.6	1-15/16 49.2	2-3/8 60.3	4 101.6	4-1/2 114.3	7/16 11.1	1-9/32 32.5	1-15/16 49.2
	1-11/16 1-3/4 45mm	4.8 4.7 2.2		1-23/32 43.7	5-5/8 142.9	11/16 17.5	3-1/4 82.6	3-7/16 87.3	1 25.4	5/8 15.9	3/4 19.1	3-1/4 82.6	1-15/16 49.2	2-1/2 63.5	4 101.6	4-3/4 120.7	7/16 11.1	1-9/32 32.5	1-15/16 49.2
207	1-1/2 40mm	4.7 2.2	WS400	1-23/32 43.7	5-11/16 144.5	11/16 17.5	3-1/4 82.6	3-1/2 88.9	1 25.4	5/8 15.9	3/4 19.1	3-1/4 82.6	1-15/16 49.2	2-3/8 60.3	4 101.6	4-1/2 114.3	7/16 11.1	1-9/32 32.5	1-15/16 49.2
	1-11/16 1-3/4 45mm	4.8 4.7 2.2		1-23/32 43.7	5-5/8 142.9	11/16 17.5	3-1/4 82.6	3-7/16 87.3	1 25.4	5/8 15.9	3/4 19.1	3-1/4 82.6	1-15/16 49.2	2-1/2 63.5	4 101.6	4-3/4 120.7	7/16 11.1	1-9/32 32.5	1-15/16 49.2
208	1-15/16 2 50mm	4.9 4.8 2.2	WS400	1-23/32 43.7	5-13/16 147.6	11/16 17.5	3-3/8 85.7	3-9/16 90.5	1 25.4	5/8 15.9	3/4 19.1	3-1/4 82.6	1-15/16 49.2	2-3/4 69.9	4 101.6	4-3/4 120.7	7/16 11.1	1-9/32 32.5	1-15/16 49.2
	2 50mm	4.8 2.2		1-23/32 43.7	5-13/16 147.6	11/16 17.5	3-3/8 85.7	3-9/16 90.5	1 25.4	5/8 15.9	3/4 19.1	3-1/4 82.6	1-15/16 49.2	2-3/4 69.9	4 101.6	4-3/4 120.7	7/16 11.1	1-9/32 32.5	1-15/16 49.2
209	1-15/16 2 50mm	4.9 4.8 2.2	WS400	1-23/32 43.7	5-13/16 147.6	11/16 17.5	3-3/8 85.7	3-9/16 90.5	1 25.4	5/8 15.9	3/4 19.1	3-1/4 82.6	1-15/16 49.2	2-3/4 69.9	4 101.6	4-3/4 120.7	7/16 11.1	1-9/32 32.5	1-15/16 49.2
	2 50mm	4.8 2.2		1-23/32 43.7	5-13/16 147.6	11/16 17.5	3-3/8 85.7	3-9/16 90.5	1 25.4	5/8 15.9	3/4 19.1	3-1/4 82.6	1-15/16 49.2	2-3/4 69.9	4 101.6	4-3/4 120.7	7/16 11.1	1-9/32 32.5	1-15/16 49.2
210	2 50mm	6.8 3.1	WS502	1-29/32 48.4	6-11/16 169.9	1-1/16 27.0	3-3/4 95.3	4-3/16 106.4	1-1/4 31.8	3/4 19.1	1 25.4	4 101.6	2-1/2 63.5	3 76.2	5-1/8 130.2	5-7/8 149.2	15/32 11.9	1-7/16 36.5	2-1/2 63.5
	2-3/16 55mm	6.6 3.1		1-29/32 48.4	6-11/16 169.9	1-1/16 27.0	3-3/4 95.3	4-3/16 106.4	1-1/4 31.8	3/4 19.1	1 25.4	4 101.6	2-1/2 63.5	3 76.2	5-1/8 130.2	5-7/8 149.2	15/32 11.9	1-7/16 36.5	2-1/2 63.5

\* + or -.015" + or -.38mm

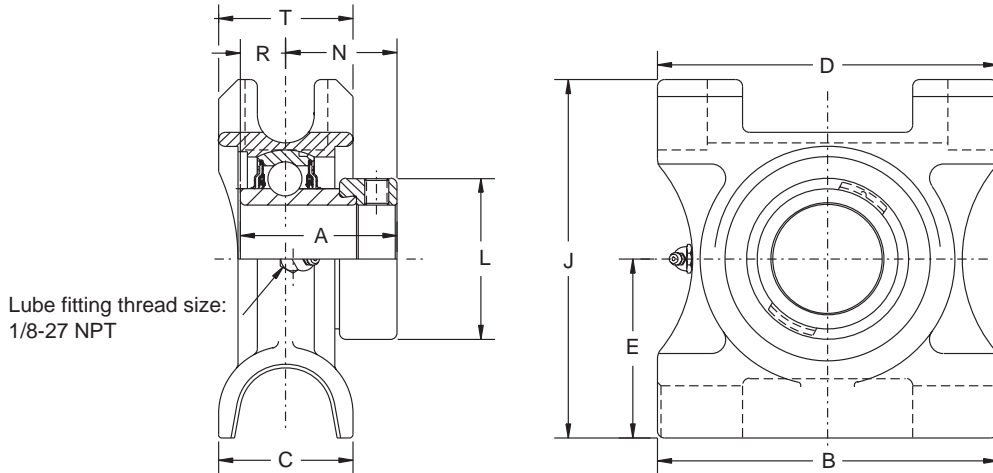
\* + or -.015", + or -.38mm"

FEATURES/BENEFITS PAGE B4-2	NOMENCLATURE PAGE B4-4	SELECTION PAGE B4-5	RELATED PRODUCTS PAGE B4-85
--------------------------------	---------------------------	------------------------	--------------------------------

# SELECTION/DIMENSIONS



## Eccentric Collar Ball Bearings TYPE GXR NORMAL DUTY TOP ANGLE TAKE-UP BEARINGS



Series	Shaft Size	Part No.	Description
210	1-15/16 2	131536	TP-GXR-115
		131537	TP-GXR-200
211	2-3/16	@	TP-GXR-200L
		131540	TP-GXR-203
212	2-1/4 2-7/16	131542	TP-GXR-204
		131545	TP-GXR-207
215	2-15/16	@	TP-GXR-215

@ Assembled to order

FEATURES/BENEFITS PAGE B4-2	NOMENCLATURE PAGE B4-4	SELECTION PAGE B4-5	RELATED PRODUCTS PAGE B4-85
--------------------------------	---------------------------	------------------------	--------------------------------

# SELECTION/DIMENSIONS



## Eccentric Collar Ball Bearings TYPE GXR NORMAL DUTY TOP ANGLE TAKE-UP BEARINGS

Series	Shaft Size	Weight lbs	Take-Up Frame Size	A	B	C	D	E	J	L	N	R	T
210	1-15/16 2	10.2 10.0	TP10	2-15/32	6-1/2	2-3/8	6	3-1/4	6-3/8	2-3/4	1-1/2	31/32	2-3/8
211	2 2-3/16	13.2 13.0	TP20	2-13/16	7	2-1/2	6-3/4	3-3/8	6-7/8	3	1-23/32	1-3/32	2-3/8
212	2-1/4 2-7/16	16.2 16.0	TP30	3-1/16	7-1/2	2-3/4	7	3-1/2	7-7/16	3-5/16	1-27/32	1-7/32	2-3/4
215	2-15/16	21.8	TP40	3-5/8	8-1/2	2-1/2	8	4	8-5/16	4	2-5/32	1-15/32	2-3/4

Bearing Quick Reference

E-Z KLEEN

GRIP TIGHT Adapter Ball Bearing

Set Screw Ball Bearing

Eccentric Collar Ball Bearing

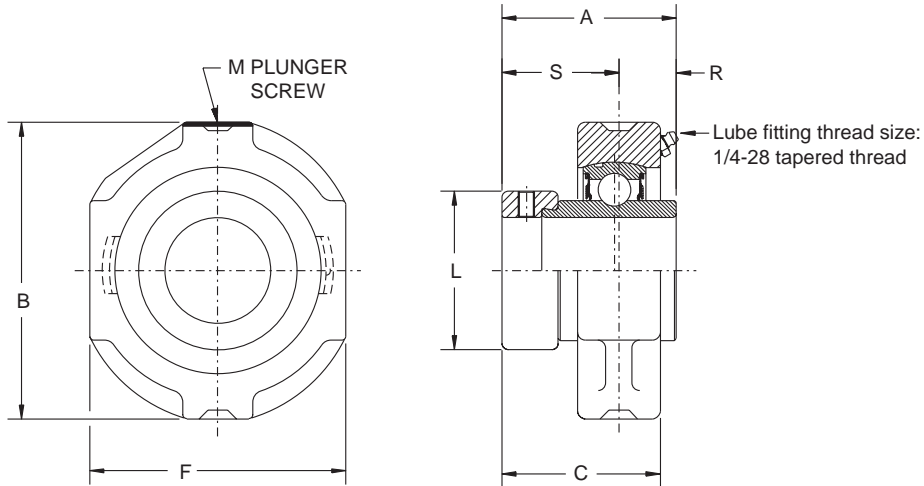
FEATURES/BENEFITS PAGE B4-2	NOMENCLATURE PAGE B4-4	SELECTION PAGE B4-5	RELATED PRODUCTS PAGE B4-85
--------------------------------	---------------------------	------------------------	--------------------------------

# SELECTION/DIMENSIONS

# DODGE®



## Eccentric Collar Ball Bearings SXR NORMAL DUTY HANGER BEARINGS



Series	Shaft Size	Part No.	Description
206	1-1/16	<b>131259</b>	HNG-SXR-101
	1-1/8	<b>131260</b>	HNG-SXR-102
	1-3/16	<b>131261</b>	HNG-SXR-103
	1-1/4	<b>@</b>	HNG-SXR-104S
207	1-1/4	<b>131263</b>	HNG-SXR-104
	1-5/16	<b>131264</b>	HNG-SXR-105
	1-3/8	<b>131265</b>	HNG-SXR-106
	1-7/16	<b>131266</b>	HNG-SXR-107
210	1-15/16	<b>131275</b>	HNG-SXR-115
	2	<b>131276</b>	HNG-SXR-200

@ Assembled to order

FEATURES/BENEFITS  
PAGE B4-2

NOMENCLATURE  
PAGE B4-4

SELECTION  
PAGE B4-5

RELATED PRODUCTS  
PAGE B4-85

# SELECTION/DIMENSIONS



## Eccentric Collar Ball Bearings SXR NORMAL DUTY HANGER BEARINGS

Bearing Quick Reference

E-Z KLEEN

GRIP TIGHT Adapter Ball Bearing

Set Screw Ball Bearing

Eccentric Collar Ball Bearing

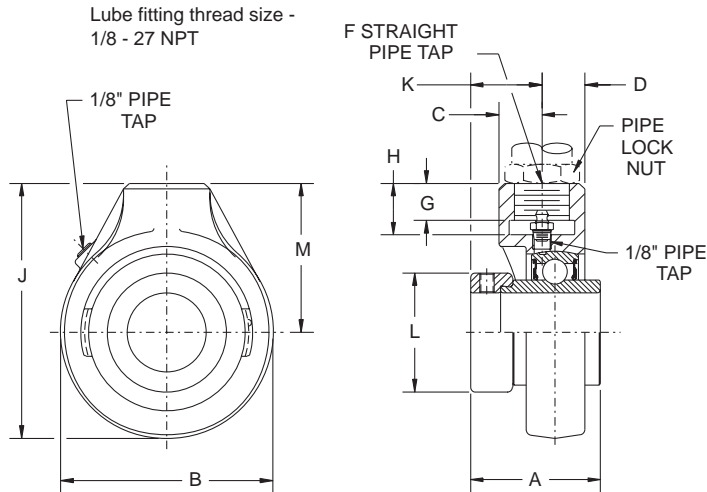
Series	Shaft Size	Weight lbs	A	B	C	F	L	M	R	S
206	1-1/16	2.0	1-29/32	3-5/8	1-15/32	3	1-3/4	1/2	23/32	1-3/16
	1-1/8	1.9								
	1-3/16	1.8								
	1-1/4	1.7								
207	1-1/4	3.2	2-1/64	4-1/4	1-43/64	3-1/2	2-1/8	1/2	47/64	1-9/32
	1-5/16	3.0								
	1-3/8	2.8								
	1-7/16	2.6								
210	1-15/16	6.2	2-15/32	5	1-31/32	4-3/16	2-3/4	5/8	31/32	1-1/2
	2	6.0								

FEATURES/BENEFITS PAGE B4-2	NOMENCLATURE PAGE B4-4	SELECTION PAGE B4-5	RELATED PRODUCTS PAGE B4-85
--------------------------------	---------------------------	------------------------	--------------------------------

# SELECTION/DIMENSIONS



## Eccentric Collar Ball Bearings SXR NORMAL DUTY SCREW CONVEYOR HANGER BEARINGS



Series	Shaft Size	Part No.	Description
206	1-1/8	@	SCHB-SXR-102
207	1-1/4 1-3/8	@ @	SCHB-SXR-104 SCHB-SXR-106
208	1-1/2	<b>131317</b>	SCHB-SXR-108
210	1-15/16 2	<b>131325</b> <b>131327</b>	SCHB-SXR-115 SCHB-SXR-200
212	2-1/4 2-7/16	@ <b>131335</b>	SCHB-SXR-204 SCHB-SXR-207

@ Assembled to order

FEATURES/BENEFITS PAGE B4-2	NOMENCLATURE PAGE B4-4	SELECTION PAGE B4-5	RELATED PRODUCTS PAGE B4-85
--------------------------------	---------------------------	------------------------	--------------------------------



# SELECTION/DIMENSIONS



## Eccentric Collar Ball Bearings SXR NORMAL DUTY SCREW CONVEYOR HANGER BEARINGS

Bearing Quick Reference

E-Z KLEEN

GRIP TIGHT Adapter Ball Bearing

Set Screw Ball Bearing

Eccentric Collar Ball Bearing

Series	Shaft Size	Weight lbs	A	B	C	D	F* (NPSM)	G	H	J	K	L	M
206	1-1/8	3.1	1-29/32	3-1/8	53/64	47/64	3/4 - 14	3/4	15/16	4-1/16	1-3/16	1-3/4	2-1/2
207	1-1/4 1-3/8	3.7 3.5	2-1/64	3-7/8	53/64	53/64	3/4 - 14	5/8	15/16	4-11/16	19/32	2-1/8	2-3/4
208	1-1/2	4.0	2-7/32	4	53/64	53/64	3/4 - 14	5/8	15/16	4-7/8	1-3/8	2-3/8	2-7/8
210	1-15/16 2	5.5 5.3	2-15/32	4-5/8	15/16	7/8	1 - 11-1/2	13/16	1-1/8	5-9/16	1-1/2	2-3/4	3-1/4
212	2-1/4 2-7/16	9.4 9.2	3-1/16	5-1/2	1-5/32	1-5/32	1-1/4 - 11-1/2	1-1/8	1-7/16	6-3/4	1-27/32	3-5/16	4

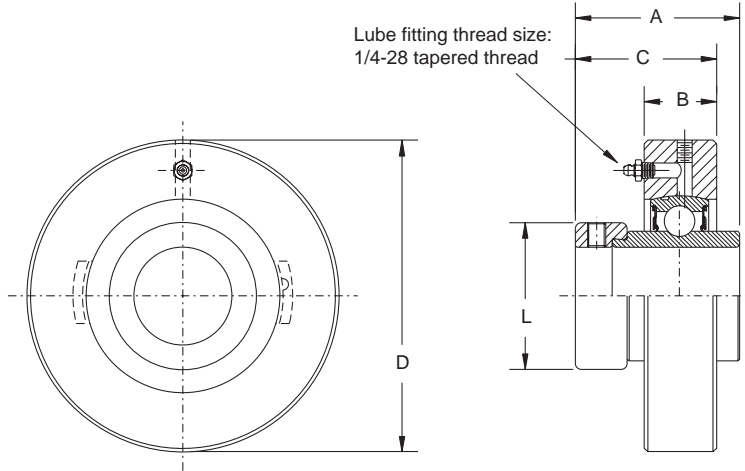
\* Use straight thread for the pipe. Bearing can be secured with a heavy locknut.  
Pipe plug and lube fitting are factory installed and may be reversed from position shown.  
Note: Inserts use the ProGard Plus (-FF) seals.

FEATURES/BENEFITS PAGE B4-2	NOMENCLATURE PAGE B4-4	SELECTION PAGE B4-5	RELATED PRODUCTS PAGE B4-85
--------------------------------	---------------------------	------------------------	--------------------------------

# SELECTION/DIMENSIONS



## Eccentric Collar Ball Bearings SXR NORMAL DUTY CYLINDRICAL UNITS



Series	Shaft Size	Part No.	Description
205	7/8	<b>131356</b>	CYL-SXR-014
	15/16	<b>131357</b>	CYL-SXR-015
	1	<b>131358</b>	CYL-SXR-100
206	1-1/16	<b>131359</b>	CYL-SXR-101
	1-1/8	<b>131360</b>	CYL-SXR-102
	1-3/16	<b>131361</b>	CYL-SXR-103
	1-1/4	@	CYL-SXR-104S
207	1-1/4	<b>131363</b>	CYL-SXR-104
	1-5/16	<b>131364</b>	CYL-SXR-105
	1-3/8	<b>131365</b>	CYL-SXR-106
	1-7/16	<b>131366</b>	CYL-SXR-107

@ Assembled to order

FEATURES/BENEFITS PAGE B4-2	NOMENCLATURE PAGE B4-4	SELECTION PAGE B4-5	RELATED PRODUCTS PAGE B4-85
--------------------------------	---------------------------	------------------------	--------------------------------

# SELECTION/DIMENSIONS



## Eccentric Collar Ball Bearings SXR NORMAL DUTY CYLINDRICAL UNITS

Bearing Quick Reference

E-Z KLEEN

GRIP TIGHT Adapter Ball Bearing

Set Screw Ball Bearing

Eccentric Collar Ball Bearing

Series	Shaft Size	Weight lbs	A	B	C	D*	L
205	7/8	1.4	1-3/4	27/32	1-15/32	3-1/8	1-1/2
	15/16	1.3					
	1	1.2					
206	1-1/16	2.2	1-29/32	15/16	1-5/8	3-1/2	1-3/4
	1-1/8	2.1					
	1-3/16	2.0					
	1-1/4	1.9					
207	1-1/4	2.8	2-1/64	1-1/16	1-25/32	3-7/8	2-1/8
	1-5/16	2.7					
	1-3/8	2.6					
	1-7/16	2.5					

\* +.000 -.002

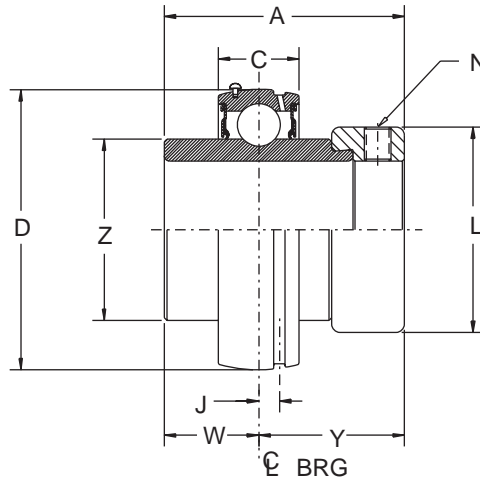
To prevent the housing from rotating in the machine frame, tap a hole on the joint between the housing O. D. and the machine frame bore and lock with a setscrew

FEATURES/BENEFITS PAGE B4-2	NOMENCLATURE PAGE B4-4	SELECTION PAGE B4-5	RELATED PRODUCTS PAGE B4-85
--------------------------------	---------------------------	------------------------	--------------------------------

# SELECTION/DIMENSIONS



## Eccentric Collar Ball Bearings SXR NORMAL DUTY BEARING INSERTS



Series	Shaft Size	Part No.	Description
203	1/2	<b>131900</b>	INS-SXR-008
	5/8	<b>131902</b>	INS-SXR-010
	17mm	<b>125625</b>	INS-SXR-17M
204	3/4	<b>131904</b>	INS-SXR-012
	20mm	<b>125626</b>	INS-SXR-20M
205	7/8	<b>131906</b>	INS-SXR-014
	15/16	<b>131907</b>	INS-SXR-015
	1	<b>131908</b>	INS-SXR-100
	25mm	<b>125627</b>	INS-SXR-25M
206	1-1/16	<b>131909</b>	INS-SXR-101
	1-1/8	<b>131910</b>	INS-SXR-102
	1-3/16	<b>131911</b>	INS-SXR-103
	1-1/4	@	INS-SXR-104S
	30mm	<b>125628</b>	INS-SXR-30M
207	1-1/4	<b>131912</b>	INS-SXR-104
	1-5/16	<b>131913</b>	INS-SXR-105
	1-3/8	<b>131914</b>	INS-SXR-106
	1-7/16	<b>131915</b>	INS-SXR-107
	35mm	<b>125629</b>	INS-SXR-35M

FEATURES/BENEFITS PAGE B4-2	NOMENCLATURE PAGE B4-4	SELECTION PAGE B4-5	RELATED PRODUCTS PAGE B4-85
--------------------------------	---------------------------	------------------------	--------------------------------

# SELECTION/DIMENSIONS



## Eccentric Collar Ball Bearings SXR NORMAL DUTY BEARING INSERTS

Bearing Quick Reference

E-Z KLEEN

GRIP TIGHT Adapter Ball Bearing

Set Screw Ball Bearing

Eccentric Collar Ball Bearing

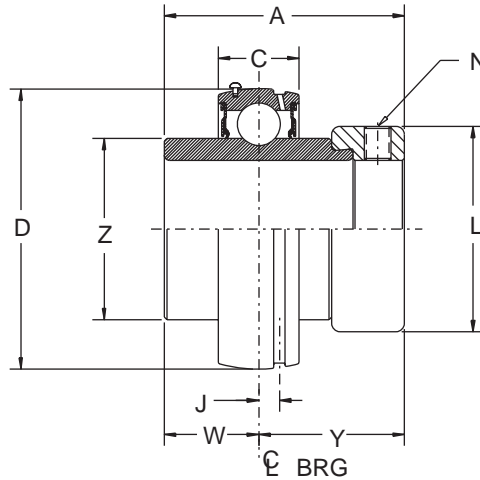
Series	Shaft Size	Weight lbs. kg	A	C	D	J	L	N	W	Y	Z
203	1/2	0.3	1-15/32	0.5110	1.5748	0.150	1-1/8	10-32	35/64	59/64	31/32
	5/8	0.3									
	17mm	0.1	37.3	13.0	40.0	3.8	28.6	M6x1	15.2	23.4	24.3
204	3/4	0.5	1-23/32	0.5906	1.8504	0.152	1-5/16	1/4-28	43/64	1-3/64	1-1/8
	20mm	0.2	43.7	15.0	47.0	3.9	33.3	M6x1	17.1	26.6	28.8
205	7/8	0.6	1-3/4	0.5906	2.0472	0.152	1-1/2	1/4-28	11/16	1-1/16	1-21/64
	15/16	0.6									
	1	0.5									
206	25mm	0.2	44.5	15.0	52.0	3.9	38.1	M6x1	17.5	27.0	33.8
	1-1/16	0.9	1-29/32	0.7087	2.4409	0.190	1-3/4	5/16-24	23/32	1-3/16	1-37/64
	1-1/8	0.9									
	1-3/16	0.8									
207	1-1/4	1.4	2-1/64	0.7480	2.8346	0.202	2-1/8	5/16-24	3/4	1-17/64	1-27/32
	1-5/16	1.3									
	1-3/8	1.3									
	1-7/16	1.2									
	35mm	0.6	51.2	19.0	72.0	5.1	54.0	M8x1.25	18.8	32.4	46.9

FEATURES/BENEFITS PAGE B4-2	NOMENCLATURE PAGE B4-4	SELECTION PAGE B4-5	RELATED PRODUCTS PAGE B4-85
--------------------------------	---------------------------	------------------------	--------------------------------

# SELECTION/DIMENSIONS



## Eccentric Collar Ball Bearings SXR NORMAL DUTY BEARING INSERTS



Series	Shaft Size	Part No.	Description
208	1-1/2	<b>131916</b>	INS-SXR-108
	40mm	<b>125630</b>	INS-SXR-40M
209	1-5/8	<b>131918</b>	INS-SXR-110
	1-11/16	<b>131919</b>	INS-SXR-111
	1-3/4	<b>131920</b>	INS-SXR-112
	45mm	<b>125631</b>	INS-SXR-45M
210	1-15/16	<b>131923</b>	INS-SXR-115
	2	<b>131924</b>	INS-SXR-200
	50mm	<b>125632</b>	INS-SXR-50M
211	2	<b>131934</b>	INS-SXR-200L
	2-3/16	<b>131927</b>	INS-SXR-203
	55mm	<b>125633</b>	INS-SXR-55M
212	2-1/4	<b>131928</b>	INS-SXR-204
	2-7/16	<b>131931</b>	INS-SXR-207
	60mm	<b>125634</b>	INS-SXR-60M
215	2-15/16	<b>131933</b>	INS-SXR-215
	75mm	<b>125635</b>	INS-SXR-75M

FEATURES/BENEFITS PAGE B4-2	NOMENCLATURE PAGE B4-4	SELECTION PAGE B4-5	RELATED PRODUCTS PAGE B4-85
--------------------------------	---------------------------	------------------------	--------------------------------

# SELECTION/DIMENSIONS



## Eccentric Collar Ball Bearings SXR NORMAL DUTY BEARING INSERTS

Bearing Quick Reference

E-Z KLEEN

GRIP TIGHT Adapter Ball Bearing

Set Screw Ball Bearing

Eccentric Collar Ball Bearing

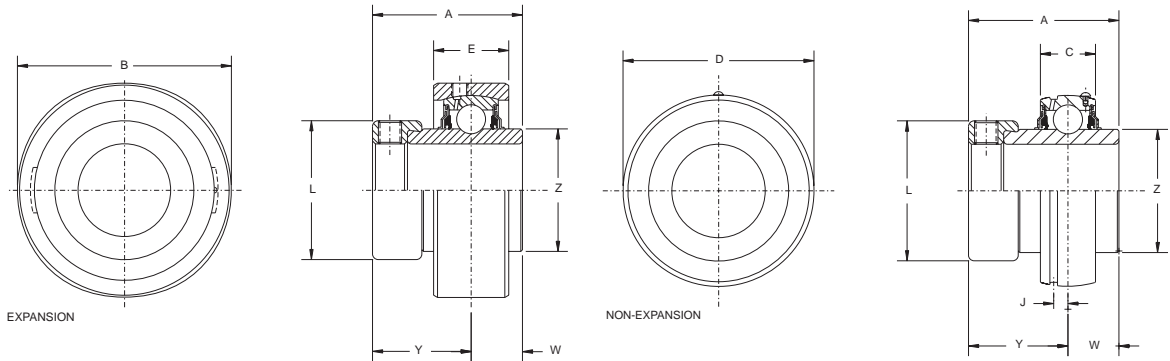
Series	Shaft Size	Weight lbs. kg	A	C	D	J	L	N	W	Y	Z
208	1-1/2	1.7	2-7/32	0.8661	3.1496	0.224	2-3/8	5/16-24	27/32	1-3/8	2-3/64
	40mm	0.8	56.4	22.0	80.0	5.7	60.3	M10x1.5	21.4	34.9	52.9
209	1-5/8	2.0	2-7/32	0.8661	3.3465	0.248	2-1/2	5/16-24	27/32	1-3/8	2-7/32
	1-11/16	1.9									
	1-3/4	1.8									
210	45mm	0.8	56.4	22.0	85.0	6.4	64.1	M8x1.25	21.4	34.9	56.4
	1-15/16	2.2	2-15/32	0.8661	3.5433	0.248	2-3/4	3/8-24	31/32	1-1/2	2-7/16
	2	2.0									
211	50mm	1.0	62.7	22.0	90.0	6.3	69.9	M10x1.5	24.6	38.1	62.8
	2	3.4	2-13/16	0.9449	3.9370	0.267	3	3/8-24	1-3/32	1-23/32	2-23/32
	2-3/16	2.9									
212	55mm	1.3	71.4	24.0	100.0	6.8	76.2	M12x1.75	27.8	43.7	69.1
	2-1/4	3.8	3-1/16	1.0240	4.3307	0.250	3-5/16	7/16-20	1-7/32	1-27/32	2-31/32
	2-7/16	3.5									
215	60mm	1.7	77.8	26.0	110.0	6.4	84.1	M12x1.75	31.0	46.8	75.4
	2-15/16	4.5	3-5/8	1.1420	5.1181	0.265	4	7/16-20	1-15/32	2-5/32	3-5/16
	75mm	2.0	92.1	29.0	130.0	6.7	101.6	M12x1.75	37.3	54.8	84.1

FEATURES/BENEFITS PAGE B4-2	NOMENCLATURE PAGE B4-4	SELECTION PAGE B4-5	RELATED PRODUCTS PAGE B4-85
--------------------------------	---------------------------	------------------------	--------------------------------

# SELECTION/DIMENSIONS



## Eccentric Collar Ball Bearings SXRH-E EXPANSION AND SXRH NON-EXPANSION NORMAL DUTY BEARING INSERTS



Series	Shaft Size	Expansion Insert		Non-Expansion Insert	
		Part No.	Description	Part No.	Description
206	1-1/16	<b>068849</b>	INS-SXRH-101-E	@	INS-SXRH-101
	1-1/8	@	INS-SXRH-102-E	@	INS-SXRH-102
	1-3/16	<b>126475</b>	INS-SXRH-103-E	<b>126475</b>	INS-SXRH-103
	1-1/4	@	INS-SXRH-104S-E	@	INS-SXRH-104S
	30mm	@	INS-SXRH-30M-E	@	INS-SXRH-30M
207	1-1/4	@	INS-SXRH-104-E	@	INS-SXRH-104
	1-5/16	@	INS-SXRH-105-E	@	INS-SXRH-105
	1-3/8	@	INS-SXRH-106-E	@	INS-SXRH-106
	1-7/16	<b>126476</b>	INS-SXRH-107-E	<b>126476</b>	INS-SXRH-107
	35mm	@	INS-SXRH-35M-E	@	INS-SXRH-35M
209	1-5/8	@	INS-SXRH-110-E	@	INS-SXRH-110
	1-11/16	@	INS-SXRH-111-E	@	INS-SXRH-111
	1-3/4	@	INS-SXRH-112-E	@	INS-SXRH-112
	45mm	@	INS-SXRH-45M-E	@	INS-SXRH-45M
210	1-15/16	<b>126477</b>	INS-SXRH-115-E	<b>126477</b>	INS-SXRH-115
	2	@	INS-SXRH-200-E	@	INS-SXRH-200
	50mm	@	INS-SXRH-50M-E	@	INS-SXRH-50M
211	2	@	INS-SXRH-200L-E	@	INS-SXRH-200L
	2-3/16	<b>126478</b>	INS-SXRH-203-E	<b>126478</b>	INS-SXRH-203
	55mm	@	INS-SXRH-55M-E	@	INS-SXRH-55M
212	2-1/4	@	INS-SXRH-204-E	@	INS-SXRH-204
	2-7/16	<b>126479</b>	INS-SXRH-207-E	<b>126479</b>	INS-SXRH-207
	60mm	@	INS-SXRH-60M-E	@	INS-SXRH-60M

FEATURES/BENEFITS PAGE B4-2	NOMENCLATURE PAGE B4-4	SELECTION PAGE B4-5	RELATED PRODUCTS PAGE B4-85
--------------------------------	---------------------------	------------------------	--------------------------------



# SELECTION/DIMENSIONS



## Eccentric Collar Ball Bearings

### SXRH-E EXPANSION AND SXRH NON-EXPANSION NORMAL DUTY BEARING INSERTS

Series	Shaft Size	Weight Exp lbs. kg	Weight N.E. lbs. kg	A	B	C	D	E	J	L	N	W	Y	Z
206	1-1/16	1.51	0.91	1-29/32	2.875	0.709	2.441	15/16	0.190	1-3/4	5/16-24	23/32	1-3/16	1-37/64
	1-1/8	1.49	0.89											
	1-3/16	1.43	0.83											
	1-1/4	1.40	0.80											
	30mm	0.65	0.38	48.4	73.0	18.0	62.0	23.8	4.8	44.5	M8x1.25	18.3	30.2	40.4
207	1-1/4	1.92	1.44	2-1/64	3.272	3/4	2-5/6	1	.202	2-1/8	5/16-24	47/64	1-9/32	1-27/32
	1-5/16	1.85	1.33											
	1-3/8	1.82	1.26											
	1-7/16	1.81	1.20											
	35mm	0.78	0.55	51.2	83.1	19.0	72.0	25.4	5.1	54.0	M8x1.25	18.8	32.4	46.9
209	1-5/8	2.97	1.98	2-7/32	3.813	13/15	3-9/26	1-1/4	.248	2-1/2	5/16-24	27/32	1-3/8	2-7/32
	1-11/16	2.89	1.87											
	1-3/4	2.89	1.82											
	45mm	0.61	0.81	56.4	96.8	22.2	85.8	31.8	6.4	64.1	M8x1.25	21.4	34.9	56.4
210	1-15/16	3.2	2.18	2-15/32	4.000	13/15	3-44/81	1-13/32	.248	2-3/4	3/8-24	31/32	1-1/2	2-7/16
	2	3.12	2.03											
	50mm	1.41	0.95	62.7	101.6	22.0	90.0	35.7	6.3	69.9	M10x1.5	24.6	38.1	61.9
211	2	4.52	3.35	2-13/16	4.475	17/18	3-15/16	1-7/16	.267	3	3/8-24	1-3/32	1-23/32	2-23/64
	2-3/16	4.31	2.88											
	55mm	1.92	1.28	71.4	113.7	24.0	100.0	36.5	6.8	76.2	M12x1.75	27.8	43.7	59.9
212	2-1/4	5.46	3.78	3-1/16	5.035	1-2/83	4-1/3	1-5/8	.250	3-5/16	7/16-20	1-7/32	1-27/32	2-31/32
	2-7/16	5.46	3.45											
	60mm	2.59	1.68	77.8	127.9	26.0	110.0	41.3	6.4	84.1	M12x1.75	31.0	46.8	75.4

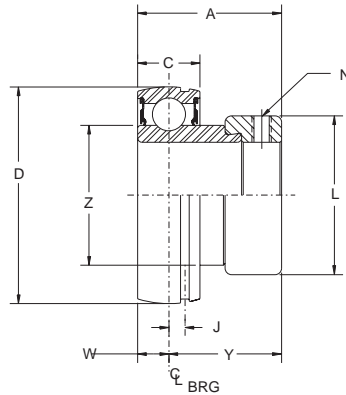
FEATURES/BENEFITS PAGE B4-2	NOMENCLATURE PAGE B4-4	SELECTION PAGE B4-5	RELATED PRODUCTS PAGE B4-85
--------------------------------	---------------------------	------------------------	--------------------------------

# SELECTION/DIMENSIONS

# DODGE®



## Eccentric Collar Ball Bearings SXV INTERMEDIATE BEARING INSERTS



Series	Shaft Size	Part No.	Description
203	1/2	<b>130300</b>	INS-SXV-008
	5/8	<b>130301</b>	INS-SXV-010
	17mm	<b>125644</b>	INS-SXV-17M
204	3/4	<b>131435</b>	INS-SXV-012
	20mm	<b>125645</b>	INS-SXV-20M
205	7/8	<b>131436</b>	INS-SXV-014
	15/16	<b>131437</b>	INS-SXV-015
	1	<b>131438</b>	INS-SXV-100
	25mm	<b>125646</b>	INS-SXV-25M
206	1-1/16	<b>131439</b>	INS-SXV-101
	1-1/8	<b>131440</b>	INS-SXV-102
	1-3/16	<b>131441</b>	INS-SXV-103
	1-1/4	<b>131442</b>	INS-SXV-104S
	30mm	<b>125647</b>	INS-SXV-30M
207	1-1/4	<b>131443</b>	INS-SXV-104
	1-5/16	<b>131444</b>	INS-SXV-105
	1-3/8	<b>131445</b>	INS-SXV-106
	1-7/16	<b>131446</b>	INS-SXV-107
	35mm	<b>125648</b>	INS-SXV-35M
208	1-1/2	<b>131447</b>	INS-SXV-108
	40mm	<b>125649</b>	INS-SXV-40M
209	1-11/16	<b>130302</b>	INS-SXV-111
	1-3/4	<b>130303</b>	INS-SXV-112
	45mm	<b>125650</b>	INS-SXV-45M
210	1-15/16	<b>130305</b>	INS-SXV-115
	2	<b>130306</b>	INS-SXV-200
	50mm	<b>125651</b>	INS-SXV-50M
211	2	<b>130307</b>	INS-SXV-200L
	2-3/16	<b>130308</b>	INS-SXV-203
	55mm	<b>125652</b>	INS-SXV-55M

FEATURES/BENEFITS  
PAGE B4-2

NOMENCLATURE  
PAGE B4-4

SELECTION  
PAGE B4-5

RELATED PRODUCTS  
PAGE B4-85

# SELECTION/DIMENSIONS



## Eccentric Collar Ball Bearings SXV INTERMEDIATE BEARING INSERTS

Series	Shaft Size	Weight lbs kg	A	C	D	J	L	N	W	Y	Z
203	1/2	0.3	1-1/8	0.5110	1.5748	0.150	1-1/8	10-32	1/4	7/8	31/32
	5/8	0.3									
	17mm	0.1	28.6	13.0	40.0	3.8	28.6	M6x1	6.4	22.2	24.6
204	3/4	0.3	1-7/32	0.5906	1.8504	0.152	1-5/16	1/4-28	19/64	59/64	1-1/8
	20mm	0.1	31.0	15.0	47.0	3.9	33.3	M6x1	7.5	23.4	28.6
205	7/8	0.5	1-7/32	0.5906	2.0472	0.152	1-1/2	1/4-28	19/64	59/64	1-21/64
	15/16	0.4									
	1	0.4									
206	25mm	0.2	31.0	15.0	52.0	3.9	38.1	M6x1	11.6	19.4	33.7
	1-1/16	0.7	1-13/32	0.7087	2.4409	0.190	1-3/4	5/16-24	23/64	1-3/64	1-37/64
	1-1/8	0.7									
	1-3/16	0.7									
207	1-1/4	1.2	1-17/32	0.7480	2.8346	0.202	2-1/8	5/16-24	3/8	1-5/32	1-27/32
	1-5/16	1.2									
	1-3/8	1.1									
	1-7/16	1.1									
208	35mm	0.5	38.9	19.0	72.0	5.1	54.0	M8x1.25	9.5	29.4	46.8
	1-1/2	1.8	1-23/32	0.8661	3.1496	0.224	2-3/8	5/16-24	7/16	1-9/32	2-3/64
	40mm	0.8	43.7	22.0	80.0	5.7	60.3	M10x1.5	11.0	32.5	52.0
209	1-11/16	1.9	1-23/32	0.8661	3.3465	0.248	2-1/2	5/16-24	7/16	1-9/32	2-7/32
	1-3/4	1.8									
	45mm	0.8	43.7	22.0	85.0	6.3	63.5	M8x1.25	11.0	32.5	56.4
210	1-15/16	2.0	1-23/32	0.8661	3.5433	0.248	2-3/4	3/8-24	7/16	1-9/32	2-7/16
	2	1.9									
211	50mm	0.9	43.7	22.0	90.0	6.3	69.9	M10x1.5	11.0	32.5	61.9
	2	2.7	1-29/32	0.9449	3.9370	0.267	3	3/8-24	15/32	1-7/16	2-23/32
	2-3/16	2.5									
	55mm	1.2	48.4	24.0	100.0	6.8	76.2	M12x1.75	11.9	36.5	69.0

FEATURES/BENEFITS PAGE B4-2	NOMENCLATURE PAGE B4-4	SELECTION PAGE B4-5	RELATED PRODUCTS PAGE B4-85
--------------------------------	---------------------------	------------------------	--------------------------------



## Eccentric Collar Ball Bearings

### LUBRICANTS

DODGE ball bearings are factory lubricated with a lithium complex base lubricant. For applications where extreme ambient temperatures or speeds are anticipated or environmental considerations require a different lubricant, DODGE has a variety of lubricants available. Special lubricant options usually require set-up charges and premiums.

### SEALS

The PROGUARD PLUS seal is a highly effective positive contact, land riding seal designed to meet the requirements for the majority of applications. For extreme contamination or high pressure wash down, flingers can be added to provide additional protection. For high speeds or where seal drag would be an impediment, a labyrinth seal is available.

### HIGH TEMPERATURE

DODGE high temperature bearings are designed to operate in temperatures from 225° F (108° C) to 400° F (205° C). The bearings have adjusted internal clearance, labyrinth seals, retainers, and lubricants to meet the temperature needs of the application. To insure proper replacement, the bearing is identified by a six digit part number etched on a stainless steel nameplate riveted to the housing. The part number identifies the specific feature of the bearing. High temperature bearings are factory assembled to order and are available at extra cost. Consult Dodge Engineering for application assistance at (864)284-5700 or fax (864) 281-2317.

### AIR HANDLING

Industrial fans and blowers generally operate at high speeds with bearing requirements of long life and quiet operation. Dodge stocks a complete line of SC and SCM air handling ball bearings that are specifically designed to meet the requirements of the Air Handling Industry. However SXR air handling ball bearings in a wide variety of sizes and housing configurations can be supplied on a made/assembled to order basis. These bearings are 100% inspected for quiet operation and are recommended for fan and blower operations.

### OTHER MODIFICATIONS

For applications requiring modifications not listed, we encourage you to contact our Customer Order Engineering Department at (864) 284-5700 or fax (864) 281-2317.

FEATURES/BENEFITS PAGE B4-2	NOMENCLATURE PAGE B4-4	SELECTION PAGE B4-5	SELECTION/DIMENSIONS PAGE B4-10
--------------------------------	---------------------------	------------------------	------------------------------------

# RELATED PRODUCTS

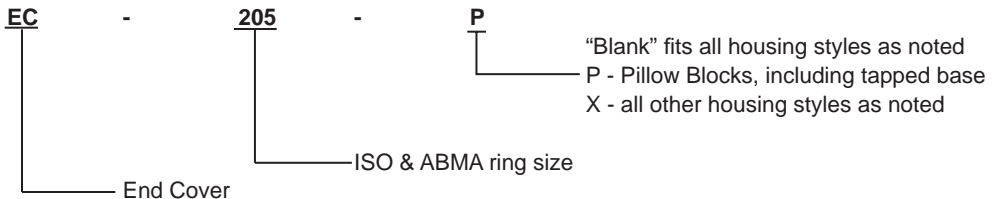


## Eccentric Collar Ball Bearings DODGE Ball Bearing End Covers\*



- Fits all styles of DODGE cast iron housed ball bearings: Pillow Blocks, 2 and 4 Bolt Flanges, and Take-Up bearings
- Injected molded, impact resistant, OSHA safety yellow end covers meet requirements for exposed rotating shafts
- Stainless steel "C" Washer for gripping power
- No modification or machining of existing housings required
- Concentric knockout grooves on inside of end cover for thru-shaft
- DODGE six digit part number and description embossed inside
- Operating temperature to 250° F
- For non relubricable/sealed for life applications (-NL), part number 430020 hex head plug is available

### Nomenclature



Series	Pillow Blocks Std, U, B	Tapped Base PB	2 Bolt Flange	Flanged Bracket	4 Bolt Flange	Piloted Flange (FC)	Narrow Slot Take-Up	Wide Slot Take-Up
203	X		X		X			
204	X	X	X	X	X		X	X
205	X	X	X	X	X		X	X
206	X	X	X	X	X	@	X	X
207	X	X	X	X	X	@	X	X
208	X	X	X		X	@	X	X
209	X	X	X		X	@	X	X
210	X	X	X	X	X	@	X	X
211	X	X	X		X	NA	X	X
212	X		X		X	NA	X	X
214	X				X	NA		X
215	X				X			X
216	X				X	X		X
218	X				X	X		

\* = Will not fit LF, LFT, SCHB, HNGR & CLY  
 @ = Some modification required

NA = Will not fit  
 X = Will fit

FEATURES/BENEFITS PAGE B4-2	NOMENCLATURE PAGE B4-4	SELECTION PAGE B4-5	SELECTION/DIMENSIONS PAGE B4-10
--------------------------------	---------------------------	------------------------	------------------------------------

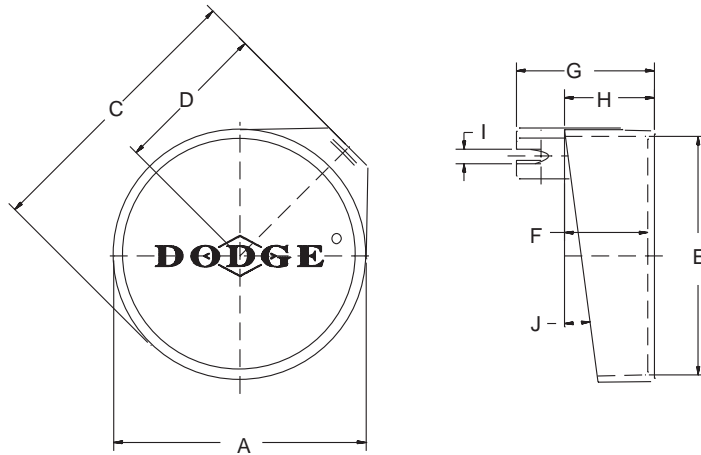
# RELATED PRODUCTS

# DODGE®



## Eccentric Collar Ball Bearings

### BALL BEARING END COVERS FOR PILLOW BLOCKS & TAPPED BASE UNITS



Series	Shaft Size*		Part Number	Description
	SXR, SXV 17mm	SXRH		
203	1/2 & 5/8 17mm	-----	<b>128200</b>	EC-203-P
204	3/4 20mm	-----	<b>128202</b>	EC-204-P
205	7/8 - 1 25mm	-----	<b>128204</b>	EC-205-P
206	1-1/16 - 1-1/4 30mm	-----	<b>128206</b>	EC-206-P
207	1-1/4 - 1-7/16 35mm	1-3/16 & 1-3/4 30mm	<b>128208</b>	EC-207-P
208	1-1/2 40mm	1-7/16 35mm	<b>128210</b>	EC-208-P
209	1-5/8 - 1-3/4 45mm	-----	<b>128212</b>	EC-209-P
210	1-15/16 & 2 50mm	1-11/16 & 1-3/4 45mm	<b>128214</b>	EC-210-P
211	2 - 2-3/16 55mm	1-15/16 & 2 50mm	<b>128216</b>	EC-211-P
212	2-1/4 - 2-7/16 60mm	2-3/16 55mm	<b>128218</b>	EC-212-P

\* **NOTE:** SXRH uses the next larger end cover. E.G. A P2B-SXRH-103 would use a EC-207-P

FEATURES/BENEFITS  
PAGE B4-2

NOMENCLATURE  
PAGE B4-4

SELECTION  
PAGE B4-5

SELECTION/DIMENSIONS  
PAGE B4-10

# RELATED PRODUCTS



## Eccentric Collar Ball Bearings

### BALL BEARING END COVERS FOR PILLOW BLOCKS & TAPPED BASE UNITS

Bearing Quick Reference

E-Z KLEEN

GRIP TIGHT Adapter Ball Bearing

Set Screw Ball Bearing

Eccentric Collar Ball Bearing

Series	Shaft Size		Weight lbs gm	A	C	D	E	F	G	H	I	J
	SXR, SXV 17mm	SXRH										
203	1/2 & 5/8 17mm	-----	.02 9	1-25/32 45.2	2-7/64 53.6	1-3/32 27.7	1-41/64 41.7	49/64 19.6	1-29/64 37.1	29/32 22.9	1/4 6.4	9
204	3/4 20mm	-----	.03 14	2-3/64 52.0	2-37/64 65.3	1-19/64 33.0	1-55/64 47.2	1-1/64 25.7	1-49/64 45.0	1-5/32 29.5	5/16 7.9	11
205	7/8 - 1 25mm	-----	.05 23	2-3/8 60.2	2-13/16 71.4	1-3/16 35.0	2-5/32 54.9	1-1/16 26.9	1-7/8 47.8	1-7/32 31.0	11/32 8.6	9
206	1-1/16 - 1-1/4 30mm	-----	.07 34	2-47/64 69.3	3-21/64 84.3	1-45/64 43.2	2-1/2 63.5	1-15/64 31.5	2-5/32 54.9	1-13/32 35.6	23/64 8.9	9
207	1-1/4 - 1-7/16 35mm	1-3/16 & 1-1/4 30mm	.11 48	3-1/4 82.6	3-51/64 96.3	1-29/32 48.5	3-1/64 76.7	1-5/16 33.3	2-11/32 59.4	1-31/64 37.6	3/8 9.4	7 30'
208	1-1/2 40mm	1-7/16 35mm	.13 61	3-3/8 85.9	4.0 101.6	2-1/16 52.3	3-7/64 79.0	1-19/64 33.0	2-13/32 61.0	1-1/2 38.1	27/64 10.7	6
209	1-5/8 - 1-3/4 45mm	-----	.15 69	3-11/16 93.7	4-17/64 108.2	2-11/64 55.1	3-13/32 86.6	1-21/64 33.8	2-21/64 59.2	1-17/32 38.9	25/64 9.9	7
210	1-15/16 & 2 50mm	1-11/16 & 1-3/4 45mm	.17 78	3-7/8 98.6	4-1/2 114.3	2-19/32 59.2	3-37/64 90.9	1-23/64 34.3	2-1/2 63.5	1-9/16 39.6	31/64 12.5	9
211	2 - 2-3/16 55mm	1-15/16 & 2 50mm	.22 102	4-27/64 112.3	5-1/16 128.5	2-19/32 66.0	4-1/8 104.7	1-13/32 35.8	2-37/64 65.3	1-5/8 41.2	29/64 11.4	7
212	2-1/4 - 2-7/16 60mm	2-3/16 55mm	.26 118	4-59/64 125.0	5-29/64 138.7	2-3/4 69.9	4-39/64 117.1	1-17/32 38.9	2-11/16 68.3	1-3/4 44.5	13/32 10.4	8

For no-re-lube (-NL) applications, part number **430020**, hex head plug is available

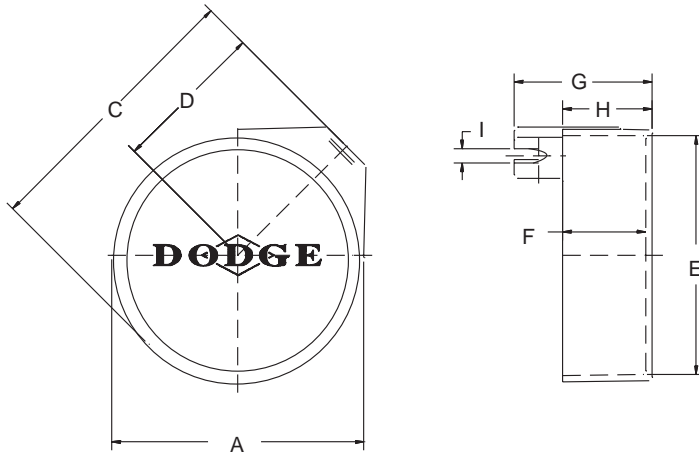
FEATURES/BENEFITS PAGE B4-2	NOMENCLATURE PAGE B4-4	SELECTION PAGE B4-5	SELECTION/DIMENSIONS PAGE B4-10
--------------------------------	---------------------------	------------------------	------------------------------------

# RELATED PRODUCTS



## Eccentric Collar Ball Bearings

**BALL BEARING END COVERS FOR MOUNTED UNITS OTHER THAN PILLOW BLOCKS & TAPPED BASE UNITS**



Series	Shaft Size*	Part Number	Description
	SXR, SXV		
203	1/2 & 5/8 17mm	128201	EC-203-X
204	3/4 20mm	128203	EC-204-X
205	7/8 - 1 25mm	128205	EC-205-X
206	1-1/16 - 1-1/4 30mm	128207	EC-206-X
207	1-1/4 - 1-7/16 35mm	128209	EC-207-X
208	1-1/2 40mm	128211	EC-208-X
209	1-5/8 - 1-3/4 45mm	128213	EC-209-X
210	1-15/16 & 2 50mm	128215	EC-210-X
211	2 - 2-3/16 55mm	128217	EC-211-X
212	2-1/4 - 2-7/16 60mm	128219	EC-212-X

\* **NOTE:** Above end covers will not fit the LF and LFT bearings

FEATURES/BENEFITS PAGE B4-2	NOMENCLATURE PAGE B4-4	SELECTION PAGE B4-5	SELECTION/DIMENSIONS PAGE B4-10
--------------------------------	---------------------------	------------------------	------------------------------------



# RELATED PRODUCTS



## Eccentric Collar Ball Bearings

### BALL BEARING END COVERS FOR MOUNTED UNITS OTHER THAN PILLOW BLOCKS & TAPPED BASE UNITS

Series	Shaft Size	Weight lbs gm	A	C	D	E	F	G	H	I
	SXR, SXV									
203	1/2 & 5/8	0.02	1-51/64	2-13/64	1-3/16	1-41/64	51/64	1-29/64	15/16	1/4
	17mm	10	45.5	56.1	30.2	41.7	20.3	37.1	23.9	6.4
204	3/4	0.03	2-7/32	2-47/64	1-25/64	2-1/32	1-1/64	1-13/16	1-5/32	5/16
	20mm	15	56.1	69.6	35.3	51.6	25.7	45.7	29.5	7.9
205	7/8 - 1	0.05	2-3/8	3-3/64	1-19/32	2-5/32	1-1/64	1-53/64	1-11/64	11/32
	25mm	24	60.2	77.2	40.6	54.9	25.7	46.5	29.7	8.7
206	1-1/16 - 1-1/4	0.08	2-47/64	3-21/64	1-45/64	2-1/2	1-3/16	2-1/16	1-23/64	23/64
	30mm	36	69.3	84.3	43.2	63.5	30.2	52.3	34.5	8.9
207	1-1/4 - 1-7/16	0.12	3-1/4	3-27/32	1-31/32	3-1/64	1-11/32	2-11/32	1-17/32	3/8
	35mm	53	82.6	97.5	50.0	76.7	34.5	59.4	38.9	9.4
208	1-1/2	0.14	3-3/8	4.0	2-1/16	3-7/64	1-19/64	2-13/32	1-1/2	27/64
	40mm	64	85.9	101.6	52.3	79.0	33.0	61.0	38.1	10.7
209	1-5/8 - 1-3/4	0.16	3-11/16	4-17/64	2-11/64	3-13/32	1-23/64	2-21/64	1-17/32	25/64
	45mm	73	93.7	108.2	55.1	86.6	34.3	59.2	38.9	9.9
210	1-15/16 & 2	0.18	3-7/8	4-1/2	2-21/64	3-9/16	1-23/64	2-33/64	1-9/16	31/64
	50mm	82	98.6	114.3	59.2	90.9	34.3	63.8	39.6	12.4
211	2 - 2-3/16	0.24	4-27/64	5-1/16	2-19/32	4-1/8	1-29/64	2-37/64	1-21/32	29/64
	55mm	108	112.3	128.5	66.0	104.7	36.8	65.3	42.2	11.4
212	2-1/4 - 2-7/16	0.27	4-59/64	5-15/32	2-3/4	4-39/64	1-35/64	2-11/16	1-3/4	13/32
	60mm	124	125.0	138.7	69.9	117.1	39.1	68.3	44.5	10.4

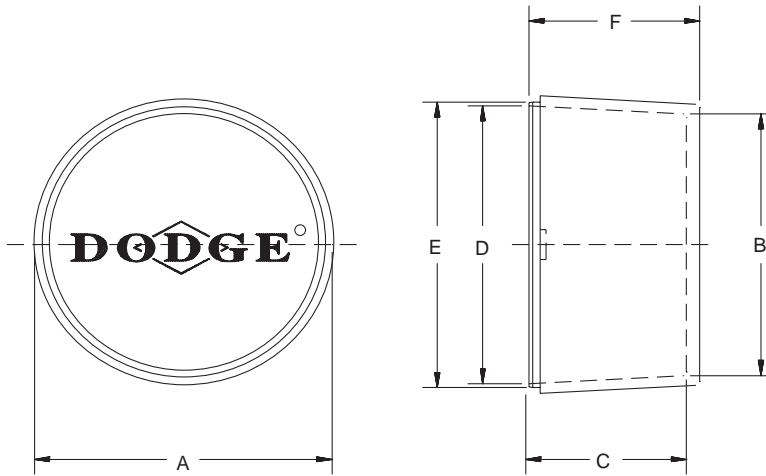
FEATURES/BENEFITS PAGE B4-2	NOMENCLATURE PAGE B4-4	SELECTION PAGE B4-5	SELECTION/DIMENSIONS PAGE B4-10
--------------------------------	---------------------------	------------------------	------------------------------------

# RELATED PRODUCTS



## Eccentric Collar Ball Bearings

### BALL BEARING END COVERS FOR MOUNTED UNITS 214 SERIES & LARGER



Series	Shaft Size	Part Number	Description
	SXR, SXV		
214	2-1/2 & 2-11/16 70mm	480037	EC-080
215	2-15/16 75mm	480455	EC-090
216	-----	480456	EC-100
218	-----	480457	EC-218

FEATURES/BENEFITS PAGE B4-2	NOMENCLATURE PAGE B4-4	SELECTION PAGE B4-5	SELECTION/DIMENSIONS PAGE B4-10
--------------------------------	---------------------------	------------------------	------------------------------------

# RELATED PRODUCTS



## Eccentric Collar Ball Bearings

### BALL BEARING END COVERS FOR MOUNTED UNITS 214 SERIES & LARGER

Bearing Quick Reference

E-Z KLEEN

GRIP TIGHT Adapter Ball Bearing

Set Screw Ball Bearing

Eccentric Collar Ball Bearing

Series	Shaft Size	Weight lbs <i>gm</i>	A	B	C	D	E	F
	SXR, SXV							
214	2-1/2 & 2-11/16	0.33	4-15/16	4-7/16	2-39/64	4-39/64	4.741/4.737	2-53/64
	70mm	151	125.5	112.8	66.3	117.1	120.4/120.3	71.9
215	2/15/16	0.36	5-3/32	4-49/64	2-29/64	4-3/4	4.944/4.940	2-7/8
	75mm	154	129.3	120.9	62.5	120.7	125.6/125.5	72.9
216	-----	0.44	5-9/16	5-15/64	2-47/64	5-13/64	5.350/5.346	2-63/64
		201	141.2	132.8	69.6	132.1	135.9/135.8	75.7
218	-----	0.57	6-5/16	5-29/32	2-27/32	5-15/16	6.100/6.096	3-3/32
		257	130.3	149.9	72.1	150.6	154.9/154.8	78.5

FEATURES/BENEFITS PAGE B4-2	NOMENCLATURE PAGE B4-4	SELECTION PAGE B4-5	SELECTION/DIMENSIONS PAGE B4-10
--------------------------------	---------------------------	------------------------	------------------------------------

Bearing Quick Reference

# NOTES



E-Z KLEEN

GRIP TIGHT Adapter Ball Bearing

Set Screw Ball Bearing

Eccentric Collar Ball Bearing

FEATURES/BENEFITS PAGE B4-2	NOMENCLATURE PAGE B4-4	SELECTION PAGE B4-5	SELECTION/DIMENSIONS PAGE B4-10
--------------------------------	---------------------------	------------------------	------------------------------------

# CONTENTS



## D-LOK™ Ball Bearings

Features / Benefits .....	B5-2
How to Order / Nomenclature .....	B5-4
Selection .....	B5-5
Selection/Dimensions	
Pillow Blocks	
DL Normal Duty .....	B5-8
DLM Medium Duty .....	B5-16
Tapped Base .....	B5-20
Flanges	
2-Bolt Flange .....	B5-22
3-Bolt Flange .....	B5-30
4-Bolt Flange .....	B5-34
Piloted Flange .....	B5-40
Take-Ups	
Narrow Slot .....	B5-44
Wide Slot .....	B5-48
Top Angle .....	B5-52
DL Normal Duty Hanger, Screw Conveyor Hanger & Cylindrical Units .....	B5-58
Inserts	
DL Normal Duty .....	B5-60
DLM Normal Duty .....	B5-64
Modifications/Accessories .....	B5-66
Related Products	
End Closures .....	B5-67
Part Number Index .....	Index-1
Key Word Index .....	Index-34

D-LOK

Type E Family

Speciality Tapered

S-2000

UNISPHERE II

# FEATURES/BENEFITS



## D-LOK™ Ball Bearings

For concentric grip on the shaft and less vibration at higher speeds, specify DODGE D-LOK normal- or medium-duty mounted ball bearings.

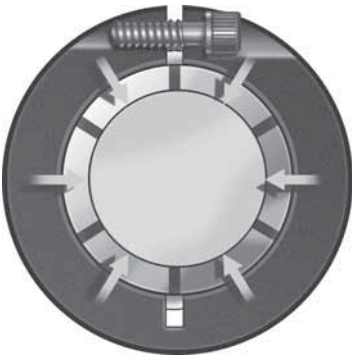
These unique, concentric collar bearings are engineered with features that assure you superior holding power with improved concentricity.

Even at high speeds, the D-LOK bearing grips the shaft tighter and more uniformly for less vibration.

Manufactured at our state-of-the-art, ISO 9002-certified DODGE bearing plant in Rogersville, TN. The new DODGE D-LOK bearing features:

- Precision-hardened and honed inner and outer rings
- New rugged housing design
- Normal-duty wide inner ring
- D-LOK locking mechanism
- DODGE PROGUARD PLUS™ and riding, positive contact seal with flingers
- Stronger, flexible ball retainer
- Simplified anti-rotation device
- Wide variety of styles
- 3/4" to 3-7/16" (20 to 70 mm) bore sizes
- Electrostatically applied epoxy paint
- Options:
  - Corrosion-resistant inserts
  - FDA/USDA lubricant and other special lubricants
  - High temperature

## D-LOK CONCENTRIC CLAMP COLLAR



The D-LOK concentric clamp collar, with a single standard hex head cap screw and relief slot, provides greater holding power over competitive products. The collar, installed over the slotted inner ring, locks the bearing on the shaft concentrically-without marring or burring and provides a 360° clamping force to the shaft with minimal run out (T.I.R.) for less vibration.

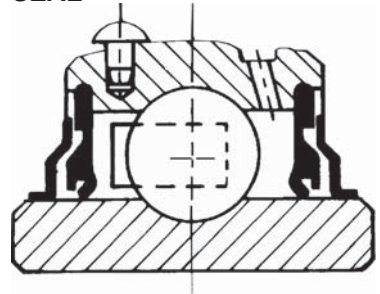
Patent number 5417500

## DODGE End Covers

Available from stock to fit DL and DLM mounted units, these end covers are designed for added protection from contaminants as well as for OSHA requirements. Covers are OSHA yellow.



## DODGE PROGUARD® PLUS SEAL



PROGUARD PLUS seal guards against contaminants, minimized power loss from friction. This one-piece, land-riding, positive contact seal is mechanically anchored into position. It's specially compounded, nitrile rubber lip reduces the coefficient of friction.

# FEATURES/BENEFITS



## D-LOK™ Ball Bearings NON-METALLIC RETAINER

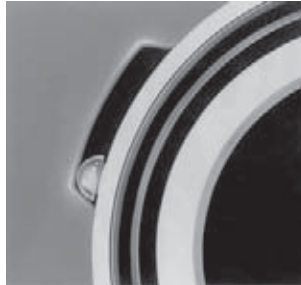


Ball cage is made of heat-stabilized nylon, reinforced with 33% short strand fiberglass. This non-metallic container operates in higher temperatures with less water absorption and retains natural lubricity and flexibility.

## ANTI-ROTATION PIN

Anti-rotation pin prevents rotation of the outer ring within the housing.

Simple and effective, it makes system inserts easier to replace. There is no need to remove and replace grease fittings, location pins or other devices.



## EXPANSION AND NON-EXPANSION MODELS

A complete series of expansion and non-expansion pillow blocks and bearing inserts are available, these all have the standard features of our D-LOK, plus a specially engineered retainer to meet the operating conditions where these bearings are required.

## RUGGED HOUSING DESIGN

Rugged housing design offers added strength. Solid feet are drilled for dowel pins - simplifies installation, alignment.

## WIDE VARIETY OF STYLES

Normal Duty

- DL PILLOW BLOCKS
- DLB PILLOW BLOCKS
- DLH-E PILLOW BLOCKS
- DL Tapped Base Pillow Blocks
- DL 2-Bolt Flanges
- DL Flanged Bracket Bearings
- DL 4-Bolt Flanges
- DL Piloted Flanges
- DL Take-Up Bearings
- DL Screw Conveyor Hanger Bearings

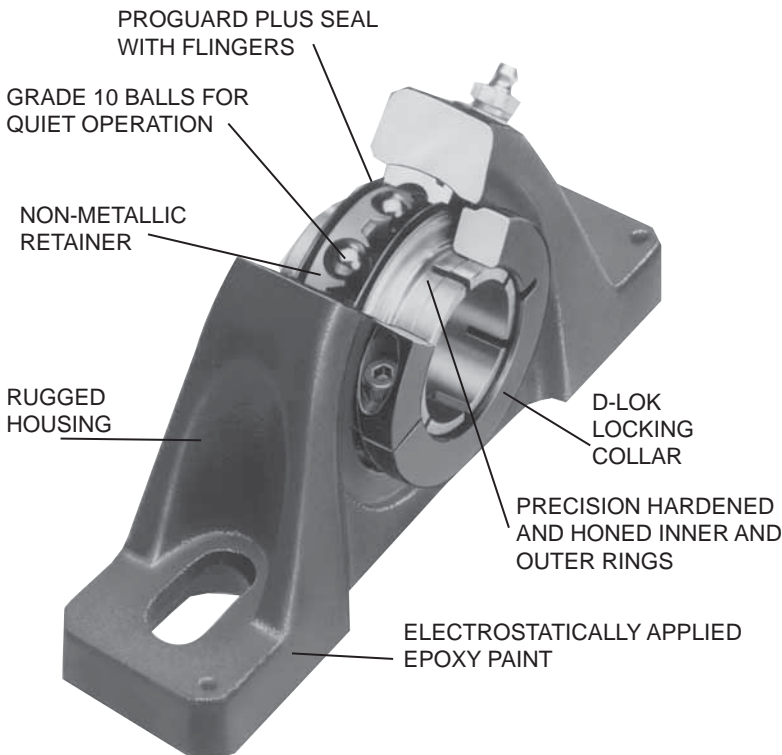
DL Inserts

Medium Duty

- DLM Pillow Blocks
- DLM 2-Bolt Flanges
- DLM 4-Bolt Flanges
- DLM Piloted Flanges
- DLM Take-Up Bearings
- DLM Inserts

## IN STOCK NEAR YOU

The complete line of DODGE mounted ball bearings is available at your local authorized DODGE distributor. For more information, check the Yellow Pages for your local distributor, call (864) 297-4800, or fax (864) 281-2318.



D-LOK

Type E Family

Speciality Tapered

S-2000

UNISPHERE II

# HOW TO ORDER/ NOMENCLATURE



## D-LOK Ball Bearings

### HOW TO ORDER

There are two ways to specify DODGE Bearings. Most of the product offerings have part numbers with listings shown throughout this catalog. Use of part numbers ensures accurate order processing.

When part numbers are not shown, the product may be specified by description or part name. This method is

used when ordering units that include modifications or options. To order by description, use the nomenclature shown below and add any special instruction to the end of the description for options not covered by the nomenclature.

**P2B - DL - 104S - NL**

Modification or feature:

- CR = Corrosion resistant insert
- E = Expansion (used with SCH, SXRH, or DLH)
- HT = High temperature option (400 degrees F maximum)
- LL = Low torque labyrinth seal
- MOD = Modified
- NL = No Lube (sealed for life)
- P = Polymer housing
- SH = Stainless Steel Housing

Shaft size

Inches:

- First digit = Number of inches
- Second & third digits = Number of sixteenths of an inch
- 104 = Indicates 1-4/16 or 1-1/4

- S = Next smaller ring size. E.g. 1-1/4 206 would be written as 104S
- L = Next larger ring size. E.g. 1-5/8 209 would be written as 110L

Metric:

- First two digits = number of millimeters
- M = Metric

Bearing type:

- DL = Wide inner ring, normal duty, concentric clamp collar
- DLM = Wide inner ring, medium duty, concentric clamp collar

Suffixes to the above:

- AH = Air handling
- B = Low backing height pillow block
- EZ = EZ-Kleen (used with polymer or stainless steel housed units)
- H = High backing height (used with expansion pillow blocks)

Housing:

- CYL = Cylindrical unit
- F2B = 2 bolt flange
- F2BZ = 2 bolt flange with pilot machined on the back side (used with metric D-LOK bearings)
- F4B = 4 bolt flange
- FB = Flanged bracket
- FC = Flanged cartridge (piloted flange)
- HNG = Hanger bearing
- INS = Insert
- LF = Light duty flange, 3 bolt, with square bolt holes
- LFT = Light duty flange, 2 bolt, with square bolt holes
- NSTU = Narrow slot take-up
- P2B = Pillow block, 2 bolt base
- SCHB = Screw conveyor hanger bearing
- TB = Tapped base pillow block
- TP = Top angle take-up
- WSTU = Wide slot take-up





## D-LOK Ball Bearings

DODGE mounted ball bearings are primarily designed for radial loading. However, they have the capacity to carry thrust loads and combined radial/thrust loads. The maximum recommended load which can be applied is limited by various components in the system, such as bearing, housing, shaft attachments, speed and life requirements. DODGE mounted ball bearings have been applied successfully when these limits have been exceeded under controlled operating conditions. Contact DODGE Engineering for applications which exceed these recommendations.

Select a bearing from the Selection Chart that has a radial load rating at the operating speed equal to or greater than the calculated Equivalent Radial load for a desired  $L_{10}$  life. This simple method is all that is required for the majority of general applications and provides for occasional average shock loads.

**$L_{10}$  Hours Life**-is the life which may be expected for at least 90% of a given group of bearings operating under identical conditions. For an  $L_{10}$  hours life other than those listed in the Selection Chart, multiply the equivalent Radial load by one of the following factors. For 50,000  $L_{10}$  hours life, use a factor of 1.18 and for 80,000, use 1.39. Then select a bearing from the bold face (30,000)  $L_{10}$  ratings only in the Selection Chart that has a rating equal to or greater than this value.

**Heavy Service**-For heavy shock loads, frequent shock loads or severe vibrations, add up to 50% (according to severity of conditions) to the Equivalent Radial Load to obtain a Modified Equivalent Radial Load. Consult Application Engineering for additional selection assistance.

A thrust load value of  $C/10$  is recommended as a guide for general applications and will give adequate  $L_{10}$  life. Where substantial radial load pulls the housing away from the mounting base, both the hold-down bolts and housing must be of adequate strength. Auxiliary load carrying devices, such as shear bars, are advisable for side or end-loading of pillow blocks and radial loads for flange units.

To determine the  $L_{10}$  hours life for loads and RPM's not listed use the following equation:

$$L_{10} = \left(\frac{C}{P}\right)^3 \times \frac{16667}{\text{RPM}}$$

Where:

$L_{10}$  = Life, hours

C = Dynamic Capacity, lbs. or N

P = Equivalent Radial Load, lbs. or N

When the load on a ball bearing is solely a radial load with no thrust (axial) load, the Equivalent Radial Load (P) is equal to the actual radial load. However, when a thrust (axial) load is applied, the radial and thrust loads applied must be converted into an Equivalent Radial Load. The use of the X (radial factor) and Y (thrust factor) from Table 1 convert the actual applied thrust and radial loads to an Equivalent Radial Load which has the same effect on the life of a bearing as a radial load of this magnitude.

$$P = (X \times F_R) + (Y \times F_A)$$

Where:

P = Equivalent Radial Load, lbs.

$F_R$  = Radial load, lbs.

$F_A$  = Thrust load, lbs.

e = Thrust load to radial load factor (Table 1)

X = Radial load factor (Table 1)

Y = Thrust factor (Table 1)

$C_0$  = Basic static capacity

To find X and Y, first calculate  $F_A/C_0$  to determine e. Calculate  $F_A/F_R$  and compare to e to determine the X and Y factors to use from Table 1.

Substitute all known values into the Equivalent Radial Load equation. The Equivalent Radial loads (P) thus determined can be used in the  $L_{10}$  life formula or compared to the allowable Equivalent Radial Load rating desired in the expanded rating chart to select a bearing (Table 2).

If calculated value of P is less than  $F_R$ , use  $P=F_R$ .

**Table 1**

$F_A$ $C_0$	e	Radial/thrust Factors			
		If $F_A/F_R$ is equal to or less than e		If $F_A/F_R$ is greater than e	
		$F_A/F_R < e$	$F_A/F_R > e$	X	Y
.014	.19	1	0	.56	2.30
.021	.21	1	0	.56	2.15
.028	.22	1	0	.56	1.99
.042	.24	1	0	.56	1.85
.056	.26	1	0	.56	1.71
.070	.27	1	0	.56	1.63
.084	.28	1	0	.56	1.55
.110	.30	1	0	.56	1.45
.170	.34	1	0	.56	1.31
.280	.38	1	0	.56	1.15
.420	.42	1	0	.56	1.04
.560	.44	1	0	.56	1.00

**Lubrication**-DODGE Ball Bearings are lubricated at the factory and are ready to run. The bearings are initially lubricated with a lithium complex grease and should be relubricated with the same or some equivalent. For high speeds, high loads, extreme temperatures and other abnormal operating conditions, special greases may be required. Contact DODGE Application Engineering for recommendations on these types of applications.

**Misalignment**-DODGE Ball Bearings are designed to allow a maximum of  $\pm 2^\circ$  static misalignment. These bearings are not suitable for dynamic misalignment. To ensure good alignment, mounting surfaces must be checked for flatness and must lie in the same plane. When tightening base bolts, each bolt should be alternately tightened in incremental torque values until full torque is achieved to prevent the angular shifting of the pillow block that occurs when one bolt is tightened to its full torque. Shimming may be required to minimize misalignment.

Normal Shaft Size Inches	Shaft Tolerances		Recommended Shaft Tolerances D-LOK Lock Ball Bearings	
	Commercial Shaft Tolerances Inches		Inches	
Up to 1-1/2	+0.000	-0.002	+0.0000 -0.0005	
Over 1-1/2 to 2-1/2	+0.000	-0.003	+0.0000 -0.0010	
Over 2-1/2 to 4	+0.000	-0.004	+0.0000 -0.0010	

FEATURES/BENEFITS PAGE B5-2	NOMENCLATURE PAGE B5-4	SELECTION/DIMENSIONS PAGE B5-8	RELATED PRODUCTS PAGE B5-67
--------------------------------	---------------------------	-----------------------------------	--------------------------------

# SELECTION



D-LOK

Type E Family

Specialty Tapered

S-2000

UNISPHERE II

**D-LOK Ball Bearings - Inch**  
**Table 2: Easy Selection Table for DL and DLM Bearing Mounted Units (Pounds)**

RING SIZE	SHAFT SIZE		DYNAMIC CAPACITY C (Lbs.)	STATIC CAPACITY Co (Lbs.)	L10 LIFE HOURS	Allowable Equivalent Radial Load Ratings (Lbs.) at Various RPM*															
	DL	DLM				50	150	250	500	750	1000	1500	1750	2000	2500	3000	3500	4500	5000	5500	7500
204	3/4		2899	1390	20000	740	515	435	345	300	275	240	225	215	200	190	180	165	160	155	140
					30000	645	450	380	300	260	240	210	200	190	175	165	155	145	140	135	120
					40000	590	410	345	275	240	215	190	180	170	160	150	145	130	125	125	110
					60000	515	355	300	240	210	190	165	155	150	140	130	125	115	110	105	95
					100000	435	300	255	200	175	160	140	130	125	115	110	105	190	95	90	80
205	7/8 15/16 1		3146	1565	20000	805	450	470	375	3225	295	260	245	235	220	205	195	180	175	170	150
					30000	705	485	410	325	285	260	225	215	205	190	180	170	155	150	145	130
					40000	640	445	375	295	260	235	205	195	185	175	165	155	140	135	135	120
					60000	560	385	325	260	225	205	180	170	165	150	140	135	125	120	115	105
					100000	470	325	275	220	190	175	150	145	135	125	120	115	105	100	100	90
206	1-1/8 1-3/16 1-1/4	1	4368	2250	20000	1115	775	655	520	455	410	360	340	325	305	285	270	250	240	235	
					30000	975	675	570	455	395	360	315	300	285	265	250	235	220	210	205	
					40000	885	615	520	410	360	325	285	270	260	240	225	215	200	190	185	
					60000	775	535	455	360	315	285	250	235	225	210	200	190	175	165	160	
					100000	655	455	380	305	265	240	210	200	190	175	165	160	145	140	135	
207	1-1/4 1-3/8 1-7/16	1-3/16 1-1/4	5759	3065	20000	1475	1020	860	685	595	545	475	450	430	400	375	355	330	315	305	
					30000	1285	890	755	595	520	475	415	395	375	350	330	310	285	270	255	270
					40000	1170	810	685	545	475	430	375	355	340	315	300	285	260	250	245	
					60000	1020	710	595	475	415	375	330	310	300	275	260	250	230	220	225	
					100000	860	595	505	400	350	315	275	265	250	235	220	210	190	185	180	
208	1-1/2	1-7/16 1-1/2**	7332	4005	20000	1875	1300	1095	870	760	690	605	575	550	510	480	455	420	405		
					30000	1640	1135	960	760	665	605	525	500	480	445	420	400	365	355		
					40000	1490	1030	870	690	605	550	480	455	435	405	380	360	330	320		
					60000	1300	900	760	605	525	480	420	400	380	355	330	315	290	280		
					100000	1095	760	640	510	445	405	355	335	320	300	280	265	245	235		
209	1-5/8 1-11/16 1-3/4	1-1/2	7891	4450	20000	2020	1400	1180	935	820	745	650	615	590	550	515	490	450	435		
					30000	1765	1225	1030	820	715	650	570	540	515	480	450	430	395	380		
					40000	1600	1110	935	745	650	590	515	490	470	435	410	390	360	345		
					60000	1400	970	820	650	570	515	450	430	410	380	360	340	310	300		
					100000	1180	820	690	550	480	435	380	360	345	320	300	285	265	255		
210	1-15/16 2	1-11/16 1-3/4	7891	4450	20000	2020	1400	1180	935	820	745	650	615	590	550	515	490	450			
					30000	1765	1225	1030	820	715	650	570	540	515	480	450	430	395			
					40000	1600	1110	935	745	650	590	515	490	470	435	410	390	360			
					60000	1400	970	820	650	570	515	450	430	410	380	360	340	310			
					100000	1180	820	690	550	480	435	380	360	345	320	300	285	265			
211	2 2-3/16	1-15/16 2	9755	5630	20000	2491	1727	1457	1156	1010	918	802	761	729	676	636	604				
					30000	2176	1509	1272	1010	882	802	700	665	636	591	556	528				
					40000	1977	1371	1156	918	802	728	636	604	578	537	505	480				
					60000	1727	1197	1010	802	700	636	556	528	505	469	441	419				
					100000	1457	1010	852	676	591	537	469	445	426	395	372	353				
212	2-1/4 2-7/16	2-3/16 2-1/4	11791	6955	20000	3015	2090	1765	1400	1225	1110	970	925	880	820	770	730				
					30000	2635	1825	1540	1225	1070	970	880	805	770	715	675	640				
					40000	2395	1660	1400	1110	970	880	770	730	700	650	610	580				
					60000	2090	1450	1225	970	850	770	675	640	610	570	535	510				
					100000	1765	1225	1030	820	715	650	570	540	515	480	450	430				
214	2-1/2 2-11/16	2-7/16 2-1/2	13994	8415	20000	3580	2480	2095	1660	1450	1320	1155	1095	1045	970	915					
					30000	3125	2171	1830	1450	1270	1155	1005	955	915	850	800					
					40000	2840	1970	1660	1320	1155	1045	915	870	830	770	725					
					60000	2480	1720	1450	1155	1005	915	800	760	725	675	635					
					100000	2094	1450	1225	970	850	770	675	640	615	570	535					
215	2-15/16	2-11/16	14872	9255	20000	3805	2640	2225	1765	1545	1400	1225	1165	1115	1035	975					
					30000	3325	2305	1945	1545	1350	1225	1070	1015	975	905	850					
					40000	3020	2095	1765	1400	1225	1115	975	925	885	820	770					
					60000	2640	1830	1545	1225	1070	975	850	805	770	715	675					
					100000	2225	1545	1300	1035	905	820	715	680	650	605	570					
216	2-15/16		17407	11015	20000	4450	3085	2605	2065	1805	1640	1435	1360	1300	1210						
					30000	3890	2695	2275	1805	1580	1435	1250	1190	1140	1055						
					40000	3535	2450	2065	1640	1435	1300	1140	1080	1035	960						
					60000	3085	2140	1805	1435	1250	1140	995	945	905	840						
					100000	2605	1805	1525	1210	1055	960	840	795	760	705						
218	3-7/16		21451	13940	20000	5485	3805	3210	2550	2225	2025	1765	1680	1605							
					30000	4795	3325	2805	2225	1945	1765	1545	1465	1405							
					40000	4355	3020	2550	2025	1765	1605	1405	1335	1276							
					60000	3805	2640	2225	1765	1545	1405	1225	1165								
					100000	3210	2225	1880	1490	1300	1185	1035	980	940							

\*\* Piloted flange only

FEATURES/BENEFITS PAGE B5-2	NOMENCLATURE PAGE B5-4	SELECTION/DIMENSIONS PAGE B5-8	RELATED PRODUCTS PAGE B5-67
--------------------------------	---------------------------	-----------------------------------	--------------------------------

# SELECTION



## D-LOK Ball Bearings - Metric

Table 3: Easy Selection Table For DL and DLM Bearing Mounted Units (Newtons)

RING SIZE	SHAFT SIZE (mm)		DYNAMIC CAPACITY C (N)	STATIC CAPACITY Co (N)	L10 LIFE HOURS	Allowable Equivalent Radial Load Ratings (Lbs.) at Various RPM*															
	DL	DLM				50	150	250	500	750	1000	1500	1750	2000	2500	3000	3500	4500	5000	5500	7500
						50	150	250	500	750	1000	1500	1750	2000	2500	3000	3500	4500	5000	5500	7500
204	20		12895	6183	20000	3292	2291	1935	1535	1334	1223	1068	1001	956	890	845	801	734	712	689	623
					30000	2869	2002	1690	1334	1156	1068	934	890	845	778	724	689	645	623	600	534
					40000	2624	1824	1535	1223	1068	956	845	801	756	712	667	645	578	556	489	
					60000	2291	1579	1334	1068	934	845	734	689	667	623	578	556	512	489	467	423
					100000	1935	1334	1134	890	778	712	623	578	556	512	489	467	400	356		
205	25		13993	6961	20000	3581	2491	2091	1668	1446	1312	1156	1090	1045	979	912	867	801	778	756	667
					30000	3136	2157	1827	1446	1268	1156	1001	956	912	845	801	756	689	667	645	578
					40000	2847	1979	1668	1312	1156	1045	912	867	823	778	734	689	623	600	534	
					60000	2491	1712	1446	1156	1001	912	801	756	734	667	623	600	556	534	512	467
					100000	2091	1446	1223	979	845	778	667	645	600	556	534	512	467	445	400	
206	30		19429	10008	20000	4960	3447	2913	2313	2024	1824	1601	1512	1446	1357	1268	1201	1112	1068	1045	
					30000	4337	3002	2535	2024	1757	1601	1401	1334	1268	1179	1112	1045	979	934	912	
					40000	3936	2736	2313	1824	1601	1446	1268	1201	1156	1068	1001	958	890	845	823	
					60000	3447	2380	2024	1601	1401	1268	1112	1045	1001	934	890	845	778	734	712	
					100000	2913	2024	1690	1357	1179	1068	934	890	845	778	734	712	645	623	600	
207	35		25616	13633	20000	6561	4537	3825	3047	2647	2424	2113	2002	1913	1779	1668	1579	1468	1401	1357	
					30000	5716	3959	3358	2674	2313	2113	1846	1757	1668	1557	1468	1379	1268	1223	1201	
					40000	5204	3603	3047	2424	2113	1913	1668	1579	1512	1401	1334	1268	1156	1112	1090	
					60000	4537	3158	2647	2113	1846	1669	1468	1379	1334	1223	1156	1112	1023	979	956	
					100000	3825	2647	2246	1779	1557	1401	1223	1179	1112	1045	979	934	845	823	801	
208	40	35	32613	17814	20000	8341	5782	4871	3870	3380	3069	2691	2558	2446	2268	2135	2024	1868	1801		
					30000	7295	5048	4270	3380	2958	2691	2335	2224	2135	1979	1868	1779	1624	1579		
					40000	6628	4581	3870	3069	2691	2446	2135	2024	1935	1801	1690	1601	1468	1423		
					60000	5782	4003	3380	2691	2335	2135	1868	1779	1690	1576	1468	1401	1290	1245		
					100000	4871	3380	2847	2268	1979	1801	1579	1490	1423	1334	1245	1179	1090	1045		
209	45		35099	19794	20000	8985	6227	5249	4159	3647	3314	2891	2736	2624	2446	2291	2180	2002	1935		
					30000	7851	5449	4581	3649	3180	2891	2535	2402	2291	2135	2002	1913	1757	1690		
					40000	7117	4937	4159	3314	2891	2624	2291	2180	2091	1935	1824	1735	1601	1535		
					60000	6227	4315	3647	2891	2535	2291	2002	1913	1824	1690	1601	1512	1379	1334		
					100000	5249	3647	3069	2446	2135	1935	1690	1601	1535	1423	1334	1268	1179	1134		
210	50		35099	19794	20000	8985	6227	5249	4159	3647	3314	2891	2736	2624	2446	2291	2180	2002			
					30000	7851	5449	4581	3647	3180	2891	2535	2402	2291	2135	2002	1913	1757			
					40000	7117	4937	4159	3314	2891	2624	2291	2180	2091	1935	1824	1735	1601			
					60000	6227	4315	3647	2891	2535	2291	2002	1913	1824	1690	1601	1512	1379			
					100000	5249	3647	3069	2446	2135	1935	1690	1601	1535	1423	1334	1268	1179			
211	55	50	43394	25042	20000	11079	7682	6479	5142	4492	4082	3566	3387	3241	3007	2830	2688				
					30000	9678	6711	5660	4492	3924	3566	3115	2959	2831	2627	2472	2348				
					40000	8793	6097	5142	4082	3566	3240	2830	2688	2572	2387	2246	2134				
					60000	7682	5326	4492	3566	3115	2830	2472	2348	2247	2085	1962	1864				
					100000	6479	4492	3789	3007	2627	2387	2085	1981	1895	1759	1655	1572				
212	60		52446	30936	20000	13411	9296	7851	6227	5449	4937	4315	4114	3914	3647	3425	3247				
					30000	11720	8118	6850	5449	4759	4315	3914	3581	3425	3180	3002	2847				
					40000	10653	7384	6227	4937	4315	3914	3425	3247	3114	2891	2713	2580				
					60000	9296	6450	5449	4315	3781	3425	3002	2847	2713	2535	2380	2268				
					100000	7851	5449	4581	3647	3180	2891	2535	2402	2291	2135	2002	1913				
214	70	65	62245	37430	20000	15925	11031	9319	7384	6450	5871	5137	4871	4648	4315	4070					
					30000	13900	96721	8140	6450	5649	5137	4470	4248	4070	3781	3558					
					40000	12632	8763	7384	5871	5137	4648	4070	3870	3692	3425	3225					
					60000	11031	7651	6450	5137	4470	4070	3558	3380	3225	3002	2824					
					100000	9318	6450	5449	4315	3781	3425	3002	2847	2736	2535	2380					

\*\* Piloted flange only

D-LOK

Type E Family

Speciality Tapered

S-2000

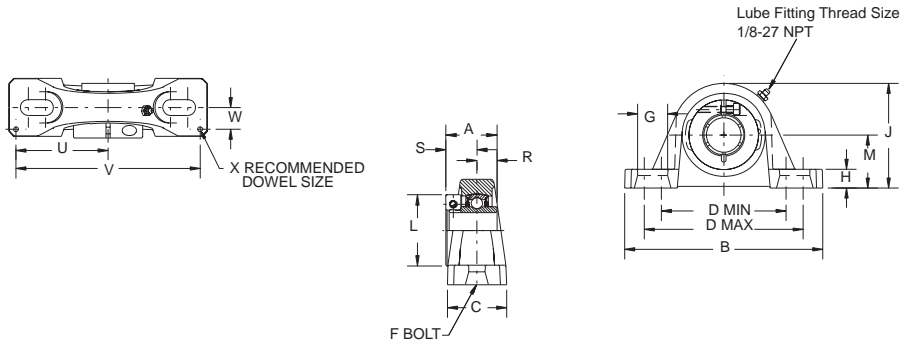
UNISPHERE II

FEATURES/BENEFITS PAGE B5-2	NOMENCLATURE PAGE B5-4	SELECTION/DIMENSIONS PAGE B5-8	RELATED PRODUCTS PAGE B5-67
--------------------------------	---------------------------	-----------------------------------	--------------------------------

# SELECTION/DIMENSIONS



## D-LOK Ball Bearings DL NORMAL DUTY PILLOW BLOCKS



Series	Shaft Size	Part No.	Description
204	3/4	<b>128700</b>	P2B-DL-012
	20mm	<b>126601</b>	P2B-DL-20M
205	7/8	<b>128701</b>	P2B-DL-014
	15/16	<b>128702</b>	P2B-DL-015
	1	<b>128703</b>	P2B-DL-100
	25mm	<b>126602</b>	P2B-DL-25M
206 (DLU)	1-1/8	<b>128704</b>	P2B-DLU-102
	1-3/16	<b>128705</b>	P2B-DLU-103
	1-1/4	<b>128706</b>	P2B-DLU-104S
	30mm	<b>126603</b>	P2B-DLU-30M
207	1-1/4	<b>128707</b>	P2B-DL-104
	1-3/8	<b>128708</b>	P2B-DL-106
	1-7/16	<b>128709</b>	P2B-DL-107
	35mm	<b>126604</b>	P2B-DL-35M
208 (DLB)	1-1/2	<b>128710</b>	P2B-DLB-108
	40mm	<b>126605</b>	P2B-DLB-40M
209	1-5/8	<b>128711</b>	P2B-DL-110L
	1-11/16	<b>128712</b>	P2B-DL-111
	1-3/4	<b>128713</b>	P2B-DL-112
	45mm	<b>126606</b>	P2B-DL-45M
210	1-15/16	<b>128714</b>	P2B-DL-115
	2	<b>128715</b>	P2B-DL-200
	50mm	<b>126607</b>	P2B-DL-50M
211	2	<b>128830</b>	P2B-DLM-200
	2-3/16	<b>128717</b>	P2B-DL-203
	55mm	<b>126608</b>	P2B-DL-55M
212	2-1/4	<b>128832</b>	P2B-DLM-204
	2-7/16	<b>128719</b>	P2B-DL-207
	60mm	<b>126609</b>	P2B-DL-60M
214	2-1/2	<b>128834</b>	P2B-DLM-208
	2-11/16	<b>128720</b>	P2B-DL-211
	70mm	<b>126610</b>	P2B-DL-70M
215	2-15/16	<b>056610</b>	P2B-DL-215

FEATURES/BENEFITS  
PAGE B5-2

NOMENCLATURE  
PAGE B5-4

SELECTION/DIMENSIONS  
PAGE B5-8

RELATED PRODUCTS  
PAGE B5-67

# SELECTION/DIMENSIONS



## D-LOK Ball Bearings DL NORMAL DUTY PILLOW BLOCKS

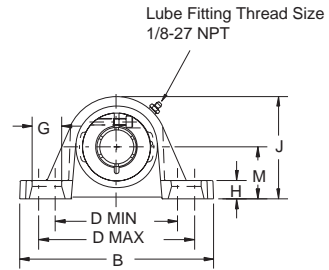
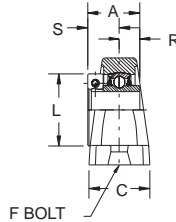
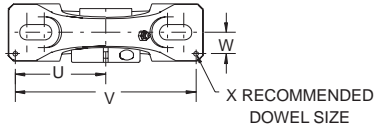
Series	Shaft Size	Weight lbs kg	A	B	C	D		F Bolt Dia.	G	H	J	L	M	R	S	U	V	W	X	
						min.	max.													
204	3/4	2.1	1-9/32	5-1/4	1-21/64	3-3/8	4-3/16	3/8	27/32	33/64	2-9/16	1-45/64	1-5/16	1/2	25/32	2-1/4	4-1/2	1/2	1/8	
	20mm	1.0	32.5	133.4	33.7	85.7	106.4	M10	21.4	13.1	65.1	43.3	33.3	12.7	19.8	57.2	114.3	12.7	3.2	
205	7/8	2.3	1-7/16	5-1/2	1-13/32	3-11/16	4-1/2	3/8	27/32	37/64	2-25/32	2	1-7/16	9/16	7/8	2-1/2	5	1/2	3/16	
	15/16	2.3																		
	1	2.3																		
206 (DLU)	25mm	1.1	36.5	139.7	35.7	93.7	114.3	M10	21.4	14.7	70.6	50.8	36.5	14.3	22.2	63.5	127.0	12.7	4.8	
	1-1/8	3.8	1-9/16	6-1/4	1-47/64	4-1/4	5	1/2	15/16	3/4	3-5/16	2-7/32	1-11/16	5/8	15/16	2-7/8	5-3/4	9/16	3/16	
	1-3/16	3.7																		
207	1-1/4	4.9	1-3/4	6-1/2	1-47/64	4-11/16	5-7/16	1/2	15/16	45/64	3-3/4	2-11/16	1-7/8	11/16	1-1/16	2-29/32	5-13/16	9/16	3/16	
	1-3/8	4.9																		
	1-7/16	4.8																		
208 (DLB)	35mm	2.2	44.5	165.1	44.1	119.1	138.1	M12	23.8	17.9	95.3	68.3	47.6	17.5	27.0	73.8	147.6	14.3	4.8	
	1-1/2	6.0	2	7-1/4	1-15/16	5-3/16	5-7/8	1/2	29/32	3/4	4	2-25/32	1-15/16	3/4	1-1/4	3-17/64	6-17/32	11/16	3/16	
	40mm	2.7	50.8	184.2	49.2	131.8	149.2	M12	23.0	19.1	101.6	70.6	49.2	19.1	31.8	82.9	165.9	17.5	4.8	
209	1-5/8	6.8	2	7-7/16	2	5-1/2	6-3/16	1/2	29/32	3/4	4-9/32	3-1/16	2-1/8	3/4	1-1/4	3-3/8	6-3/4	11/16	3/16	
	1-11/16	6.8																		
	1-3/4	6.7																		
210	45mm	3.1	50.8	188.9	50.8	139.7	157.2	M12	23.0	19.1	108.7	77.8	54.0	19.1	31.8	85.7	171.5	17.5	4.8	
	1-15/16	8.5	2-3/32	8-1/8	2-1/4	6	6-11/16	5/8	1-1/64	3/4	4-17/32	3-9/32	2-1/4	3/4	1-11/32	3-11/16	7-3/8	13/16	3/16	
	2	8.4																		
211	50mm	3.9	53.2	206.4	57.2	152.4	169.9	M16	25.8	19.1	115.1	83.3	57.2	19.1	34.1	93.7	187.3	20.6	4.8	
	2	12.2	2-1/4	8-7/8	2-5/16	6-3/8	7-7/16	5/8	1-7/32	7/8	4-31/32	3-11/16	2-1/2	7/8	1-3/8	3-15/16	7-7/8	13/16	3/16	
	2-3/16	10.3																		
212	55mm	5.6	57.2	225.4	58.7	161.9	188.9	M16	31.0	22.2	126.2	93.7	63.5	22.2	34.9	100.0	200.0	20.6	4.8	
	2-1/4	17.5	2-5/8	9 1/2	2-3/8	6-7/8	7-15/16	5/8	1-7/32	7/8	5-13/32	4-7/64	2-3/4	1	1-5/8	4-1/4	8-1/2	7/8	3/16	
	2-7/16	14.8																		
214	60mm	7.0	66.7	241.3	60.3	174.6	201.6	M16	31.0	22.2	137.3	104.4	69.9	25.4	41.3	108.0	215.9	22.2	4.8	
	2-1/2	19.4	2-13/16	10-3/4	2-11/16	7-1/2	8-1/2	3/4	1-5/16	15/16	6-5/64	4-3/8	3	1-1/16	1-3/4	4-7/8	9 3/4	15/16	3/16	
	2-11/16	19.3																		
215	70mm	8.9	71.4	273.1	68.3	190.5	215.9	M18	33.3	23.8	154.4	111.1	76.2	27.0	44.5	123.8	247.7	23.8	4.8	
	2-15/16	24.9	2-21/64	11-3/4	2-7/8	8-1/2	9 1/2	7/8	1-7/16	1	6-3/4	4-11/16	3-1/2	53/64	1-1/2	-----	-----	-----	-----	

FEATURES/BENEFITS PAGE B5-2	NOMENCLATURE PAGE B5-4	SELECTION/DIMENSIONS PAGE B5-8	RELATED PRODUCTS PAGE B5-67
--------------------------------	---------------------------	-----------------------------------	--------------------------------

# SELECTION/DIMENSIONS



## D-LOK Ball Bearings DLAH NORMAL DUTY AIR HANDLING PILLOW BLOCKS



Series	Shaft Size	Part No.	Description
204	3/4	<b>128432</b>	P2B-DLAH-012
	20mm	@	P2B-DLAH-20M
205	7/8	@	P2B-DLAH-014
	15/16	@	P2B-DLAH-015
	1	<b>128435</b>	P2B-DLAH-100
	25mm	@	P2B-DLAH-25M
206 (DLU)	1-1/8	<b>128436</b>	P2B-DLUAH-102
	1-3/16	<b>128437</b>	P2B-DLUAH-103
	1-1/4	<b>128438</b>	P2B-DLUAH-104S
	30mm	@	P2B-DLUAH-30M
207	1-1/4	<b>065784</b>	P2B-DLAH-104
	1-3/8	<b>128440</b>	P2B-DLAH-106
	1-7/16	<b>128441</b>	P2B-DLAH-107
	35mm	<b>068777</b>	P2B-DLAH-35M
208 (DLB)	1-1/2	@	P2B-DLBAH-108
	40mm	@	P2B-DLBAH-40M
209	1-5/8	@	P2B-DLAH-110L
	1-11/16	<b>128444</b>	P2B-DLAH-111
	1-3/4	@	P2B-DLAH-112
	45mm	<b>068537</b>	P2B-DLAH-45M
210	1-15/16	<b>128446</b>	P2B-DLAH-115
	2	<b>064825</b>	P2B-DLAH-200
	50mm	<b>067783</b>	P2B-DLAH-50M
211	2	<b>128481</b>	P2B-DLMAH-200
	2-3/16	<b>128449</b>	P2B-DLAH-203
	55mm	@	P2B-DLAH-55M
212	2-1/4	<b>128483</b>	P2B-DLMAH-204
	2-7/16	<b>128451</b>	P2B-DLAH-207
	60mm	@	P2B-DLAH-60M
214	2-1/2	<b>128485</b>	P2B-DLMAH-208
	2-11/16	<b>128452</b>	P2B-DLAH-211
	70mm	@	P2B-DLAH-70M
215	2-15/16	<b>062187</b>	P2B-DLAH-215

@ Assembled to order

FEATURES/BENEFITS PAGE B5-2	NOMENCLATURE PAGE B5-4	SELECTION/DIMENSIONS PAGE B5-8	RELATED PRODUCTS PAGE B5-67
--------------------------------	---------------------------	-----------------------------------	--------------------------------

# SELECTION/DIMENSIONS



## D-LOK Ball Bearings DLAH NORMAL DUTY AIR HANDLING PILLOW BLOCKS

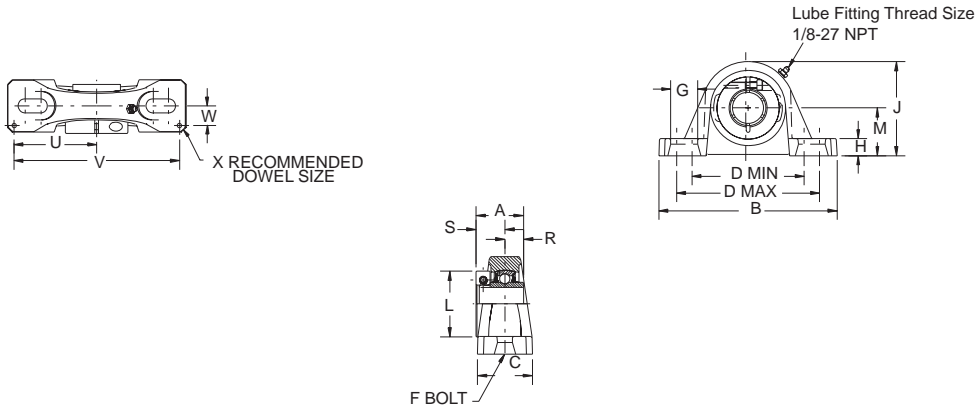
Series	Shaft Size	Weight lbs kg	A	B	C	D		F Bolt Dia.	G	H	J	L	M	R	S	U	V	W	X
						min.	max.												
204	3/4	2.1	1-9/32	5-1/4	1-21/64	3-3/8	4-3/16	3/8	27/32	33/64	2-9/16	1-45/64	1-5/16	1/2	25/32	2-1/4	4-1/2	1/2	1/8
	20mm	1.0	32.5	133.4	33.7	85.7	106.4	M10	21.4	13.1	65.1	43.3	33.3	12.7	19.8	57.2	114.3	12.7	3.2
205	7/8	2.3	1-7/16	5-1/2	1-13/32	3-11/16	4-1/2	3/8	27/32	37/64	2-25/32	2	1-7/16	9/16	7/8	2-1/2	5	1/2	3/16
	15/16	2.3																	
	1	2.3																	
206 (DLU)	25mm	1.1	36.5	139.7	35.7	93.7	114.3	M10	21.4	14.7	70.6	50.8	36.5	14.3	22.2	63.5	127.0	12.7	4.8
	1-1/8	3.8	1-9/16	6-1/4	1-47/64	4-1/4	5	1/2	15/16	3/4	3-5/16	2-7/32	1-11/16	5/8	15/16	2-7/8	5-3/4	9/16	3/16
	1-3/16	3.7																	
207	1-1/4	4.9	1-3/4	6-1/2	1-47/64	4-11/16	5-7/16	1/2	15/16	45/64	3-3/4	2-11/16	1-7/8	11/16	1-1/16	2-29/32	5-13/16	9/16	3/16
	1-3/8	4.9																	
	1-7/16	4.8																	
208 (DLB)	35mm	2.2	44.5	165.1	44.1	119.1	138.1	M12	23.8	17.9	95.3	68.3	47.6	17.5	27.0	73.8	147.6	14.3	4.8
	1-1/2	6.0	2	7-1/4	1-15/16	5-3/16	5-7/8	1/2	29/32	3/4	4	2-25/32	1-15/16	3/4	1-1/4	3-17/64	6-17/32	11/16	3/16
	40mm	2.7	50.8	184.2	49.2	131.8	149.2	M12	23.0	19.1	101.6	70.6	49.2	19.1	31.8	82.9	165.9	17.5	4.8
209	1-5/8	6.8	2	7-7/16	2	5-1/2	6-3/16	1/2	29/32	3/4	4-9/32	3-1/16	2-1/8	3/4	1-1/4	3-3/8	6-3/4	11/16	3/16
	1-11/16	6.8																	
	1-3/4	6.7																	
210	45mm	3.1	50.8	188.9	50.8	139.7	157.2	M12	23.0	19.1	108.7	77.8	54.0	19.1	31.8	85.7	171.5	17.5	4.8
	1-15/16	8.5	2-3/32	8-1/8	2-1/4	6	6-11/16	5/8	1-1/64	3/4	4-17/32	3-9/32	2-1/4	3/4	1-11/32	3-11/16	7-3/8	13/16	3/16
	2	8.4																	
211	50mm	3.9	53.2	206.4	57.2	152.4	169.9	M16	25.8	19.1	115.1	83.3	57.2	19.1	34.1	93.7	187.3	20.6	4.8
	2	12.2	2-1/4	8-7/8	2-5/16	6-3/8	7-7/16	5/8	1-7/32	7/8	4-31/32	3-11/16	2-1/2	7/8	1-3/8	3-15/16	7-7/8	13/16	3/16
	2-3/16	10.3																	
212	55mm	5.6	57.2	225.4	58.7	161.9	188.9	M16	31.0	22.2	126.2	93.7	63.5	22.2	34.9	100.0	200.0	20.6	4.8
	2-1/4	17.5	2-5/8	9 1/2	2-3/8	6-7/8	7-15/16	5/8	1-7/32	7/8	5-13/32	4-7/64	2-3/4	1	1-5/8	4-1/4	8-1/2	7/8	3/16
	2-7/16	14.8																	
214	60mm	7.0	66.7	241.3	60.3	174.6	201.6	M16	31.0	22.2	137.3	104.4	69.9	25.4	41.3	108.0	215.9	22.2	4.8
	2-1/2	19.4	2-13/16	10-3/4	2-11/16	7-1/2	8-1/2	3/4	1-5/16	15/16	6-5/64	4-3/8	3	1-1/16	1-3/4	4-7/8	9 3/4	15/16	3/16
	2-11/16	19.3																	
215	70mm	8.9	71.4	273.1	68.3	190.5	215.9	M18	33.3	23.8	154.4	111.1	76.2	27.0	44.5	123.8	247.7	23.8	4.8
	2-15/16	24.9	2-21/64	11-3/4	2-7/8	8-1/2	9 1/2	7/8	1-7/16	1	6-3/4	4-11/16	3-1/2	53/64	1-1/2	-----	-----	-----	-----

FEATURES/BENEFITS PAGE B5-2	NOMENCLATURE PAGE B5-4	SELECTION/DIMENSIONS PAGE B5-8	RELATED PRODUCTS PAGE B5-67
--------------------------------	---------------------------	-----------------------------------	--------------------------------

# SELECTION/DIMENSIONS



## D-LOK Ball Bearings DLB NORMAL DUTY PILLOW BLOCKS



Series	Shaft Size	Part No.	Description
204	3/4	<b>128721</b>	P2B-DLB-012
	20mm	@	P2B-DLB-20M
205	7/8	<b>128722</b>	P2B-DLB-014
	15/16	<b>128723</b>	P2B-DLB-015
	1	<b>128724</b>	P2B-DLB-100
	25mm	<b>062143</b>	P2B-DLB-25M
206	1-1/8	<b>128725</b>	P2B-DLB-102
	1-3/16	<b>128726</b>	P2B-DLB-103
	1-1/4	<b>128727</b>	P2B-DLB-104S
	30mm	@	P2B-DLB-30M
207	1-1/4	<b>128728</b>	P2B-DLB-104
	1-3/8	<b>128729</b>	P2B-DLB-106
	1-7/16	<b>128730</b>	P2B-DLB-107
	35mm	@	P2B-DLB-35M
208	1-1/2	<b>128710</b>	P2B-DLB-108
	40mm	<b>126605</b>	P2B-DLB-40M
209	1-5/8	<b>128731</b>	P2B-DLB-110L
	1-11/16	<b>128732</b>	P2B-DLB-111
	1-3/4	<b>128733</b>	P2B-DLB-112
210	45mm	@	P2B-DLB-45M
	1-15/16	<b>128734</b>	P2B-DLB-115
	2	<b>128735</b>	P2B-DLB-200
211	50mm	@	P2B-DLB-50M
	2	<b>128736</b>	P2B-DLB-200L
	2-3/16	<b>128738</b>	P2B-DLB-203
212	55mm	@	P2B-DLB-55M
	2-1/4	<b>128739</b>	P2B-DLB-204L
	2-7/16	<b>128741</b>	P2B-DLB-207
	60mm	@	P2B-DLB-60M

@ Assemble to order

FEATURES/BENEFITS PAGE B5-2	NOMENCLATURE PAGE B5-4	SELECTION/DIMENSIONS PAGE B5-8	RELATED PRODUCTS PAGE B5-67
--------------------------------	---------------------------	-----------------------------------	--------------------------------



# SELECTION/DIMENSIONS



## D-LOK Ball Bearings DLB NORMAL DUTY PILLOW BLOCKS

Series	Shaft Size	Weight lbs kg	A	B	C	D		F Bolt Dia.	G	H	J	L	M	R	S	U	V	W	X	
						min.	max.													
204	3/4	2.1	1-9/32	5-1/4	1-21/64	3-3/8	4-3/16	3/8	27/32	15/32	2-1/2	1-45/64	1-1/4	1/2	25/32	2-1/4	4-1/2	1/2	1/8	
	20mm	1.0	32.5	133.4	33.7	85.7	106.4	M10	21.4	11.9	63.5	43.3	31.8	12.7	19.8	57.2	114.3	12.7	3.2	
205	7/8	2.3	1-7/16	5-1/2	1-13/32	3-11/16	4-1/2	3/8	27/32	29/64	2-21/32	2	1-5/16	9/16	7/8	2-1/2	5	1/2	3/16	
	15/16	2.3																		
	1	2.3																		
206	25mm	1.1	36.5	139.7	35.7	93.7	114.3	M10	21.4	11.5	67.5	50.8	33.3	14.3	22.2	63.5	127.0	12.7	4.8	
	1-1/8	3.8	1-9/16	6-1/4	1-47/64	4-1/4	5	1/2	15/16	5/8	3-3/16	2-7/32	1-9/16	5/8	15/16	2-7/8	5-3/4	9/16	3/16	
	1-3/16	3.7																		
207	1-1/4	3.7																		
	1-1/4	3.7																		
	30mm	1.7	39.7	158.8	44.1	108.0	127.0	M12	23.8	15.9	81.0	56.4	39.7	15.9	23.8	73.0	146.1	14.3	4.8	
208	1-1/4	4.9	1-3/4	6-1/2	1-47/64	4-11/16	5-7/16	1/2	15/16	21/32	3-11/16	2-11/16	1-13/16	11/16	1-1/16	2-29/32	5-13/16	9/16	3/16	
	1-3/8	4.9																		
	1-7/16	4.8																		
209	35mm	2.2	44.5	165.1	44.1	119.1	138.1	M12	23.8	16.7	93.7	68.3	46.0	17.5	27.0	73.8	147.6	14.3	4.8	
	1-1/2	6.0	2	7-15/64	1-29/32	5-33/64	5-7/8	1/2	7/8	3/4	4	2-47/64	1-15/16	3/4	1-1/4	3-17/64	6-17/32	11/16	3/16	
	40mm	2.7	50.8	183.8	48.4	140.1	149.2	M12	22.2	19.1	101.6	69.5	49.2	19.1	31.8	82.9	165.9	17.5	4.8	
210	1-5/8	6.8	2	7-7/16	2	5-1/2	6-3/16	1/2	29/32	11/16	4-7/32	3-1/16	2-1/16	3/4	1-1/4	3-3/8	6-3/4	11/16	3/16	
	1-11/16	6.8																		
	1-3/4	6.7																		
211	45mm	3.1	50.8	188.9	50.8	139.7	157.2	M12	23.0	17.5	107.2	77.8	52.4	19.1	31.8	85.7	171.5	17.5	4.8	
	1-15/16	8.5	2-3/32	8-1/8	2-1/4	6	6-11/16	5/8	1-1/64	11/16	4-15/32	3-9/32	2-3/16	3/4	1-11/32	3-11/16	7-3/8	13/16	3/16	
	2	8.4																		
212	50mm	3.9	53.2	206.4	57.2	152.4	169.9	M16	25.8	17.5	113.5	83.3	55.6	19.1	34.1	93.7	187.3	20.6	4.8	
	2	12.2	2-1/4	8-7/8	2-5/16	6-3/8	7-7/16	5/8	1-7/32	13/16	4-29/32	3-11/16	2-7/16	7/8	1-3/8	3-15/16	7-7/8	13/16	3/16	
	2-3/16	10.3																		
212	55mm	5.6	57.2	225.4	58.8	161.9	188.9	M16	31.0	20.6	124.6	93.7	63.5	22.2	34.9	100.0	200.0	20.6	4.8	
	2-1/4	17.5	2-5/8	9-1/2	2-3/8	6-7/8	7-15/16	5/8	1-7/32	13/16	5-11/16	4-7/64	2-11/16	1	1-5/8	4-1/4	8-1/2	7/8	3/16	
	2-7/16	14.8																		
212	60mm	7.0	66.7	241.3	60.3	174.6	201.6	M16	31.0	20.6	144.5	104.4	68.3	25.4	41.3	108.0	215.9	22.2	4.8	

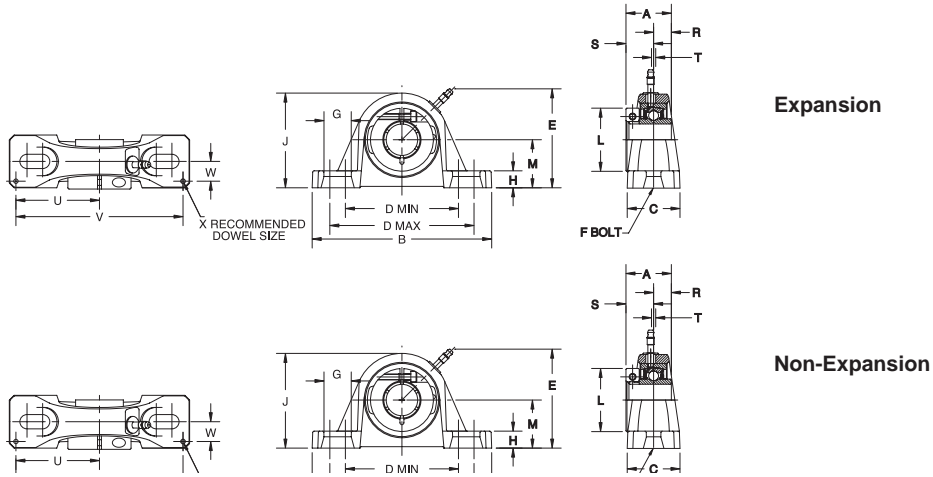
FEATURES/BENEFITS PAGE B5-2	NOMENCLATURE PAGE B5-4	SELECTION/DIMENSIONS PAGE B5-8	RELATED PRODUCTS PAGE B5-67
--------------------------------	---------------------------	-----------------------------------	--------------------------------

# SELECTION/DIMENSIONS



## D-LOK Ball Bearings

### DLH-E EXPANSION AND DLH NON-EXPANSION NORMAL DUTY PILLOW BLOCKS



Series	Shaft Size	Expansion		Non-Expansion	
		Part No.	Description	Part No.	Description
205	1	@	P2B-DLH-100-E	@	P2B-DLM-100
	25mm	@	P2B-DLH-25M-E	----	-----
206	1-1/8	@	P2B-DLH-102-E	----	-----
	1-3/16	<b>126450</b>	P2B-DLH-103-E	<b>128824</b>	P2B-DLM-103
	1-1/4	@	P2B-DLH-104S-E	<b>128707</b>	P2B-DL-104
	30mm	@	P2B-DLH-30M-E	----	-----
207	1-1/4	@	P2B-DLH-104-E	----	-----
	1-3/8	<b>066214</b>	P2B-DLH-106-E	----	-----
	1-7/16	<b>126451</b>	P2B-DLH-107-E	<b>128825</b>	P2B-DLM-107
	35mm	<b>054455</b>	P2B-DLH-35M-E	<b>126639</b>	P2B-DLM-35M
209	1-5/8	@	P2B-DLH-108L-E	----	-----
	1-11/16	<b>059882</b>	P2B-DLH-111-E	<b>128827</b>	P2B-DLM-111
	1-3/4	@	P2B-DLH-112-E	<b>128828</b>	P2B-DLM-112
	45mm	@	P2B-DLH-45M-E	----	-----
210	1-15/16	<b>126452</b>	P2B-DLH-115-E	<b>128829</b>	P2B-DLM-115
	2	<b>056676</b>	P2B-DLH-200-E	<b>128830</b>	P2B-DLM-200
	50mm	<b>068061</b>	P2B-DLH-50M-E	<b>058997</b>	P2B-DLM-50M
211	2-3/16	<b>126453</b>	P2B-DLH-203-E	<b>128831</b>	P2B-DLM-203
	55mm	@	P2B-DLH-55M-E	----	-----
212	2-7/16	<b>126454</b>	P2B-DLH-207-E	<b>128833</b>	P2B-DLM-207
	60mm	@	P2B-DLH-60M-E	----	-----

@ Assembled to order

FEATURES/BENEFITS PAGE B5-2	NOMENCLATURE PAGE B5-4	SELECTION/DIMENSIONS PAGE B5-8	RELATED PRODUCTS PAGE B5-67
--------------------------------	---------------------------	-----------------------------------	--------------------------------

# SELECTION/DIMENSIONS



## D-LOK Ball Bearings

### DLH-E EXPANSION AND DLH NON-EXPANSION NORMAL DUTY PILLOW BLOCKS

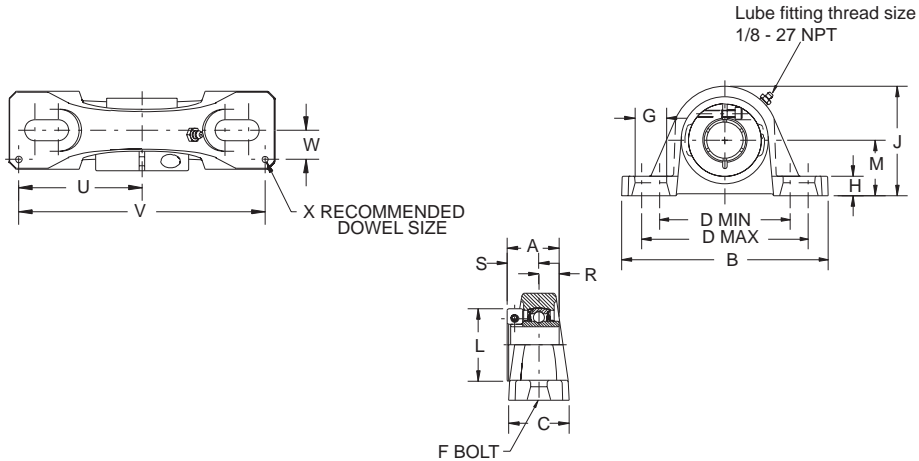
Series	Shaft Size	Weight lbs kg	A	B	C	D		F Bolt Dia.	G	H	J	L	M	R	S	T Total Expansion	U	V	W	X
						min.	max.													
205	1	3.5	1-7/16	6-1/4	1-47/64	4-1/4	5	1/2	15/16	3/4	3-5/16	1-45/64	3-5/16	9/16	7/8	5/32	1-7/16	2-7/8	9/16	3/16
	25mm	1.6	36.5	158.6	44.1	108.0	127.0	M12	23.8	19.1	84.1	43.3	84.1	14.3	22.2	4.0	36.5	73.0	14.3	4.8
206	1-1/8	5.0	1-9/16	6-7/8	2	4-9/16	5-7/16	1/2	1	11/16	3-13/16	2-7/32	1-7/8	5/8	15/16	3/16	3-1/8	6-1/4	11/16	3/16
	1-3/16	5.0																		
	1-1/4	5.0																		
	30mm	1.5	39.7	174.6	50.8	119.1	134.9	M12	25.4	17.5	96.8	56.4	47.6	15.9	23.8	4.8	79.4	158.8	17.5	4.8
207	1-3/8	6.9	1-3/4	7-15/16	2-1/32	5-1/16	6-5/16	1/2	1-3/16	3/4	4-3/16	2-11/16	2-1/8	11/16	1-1/16	3/16	3-11/16	7-3/8	23/32	3/16
	1-7/16	6.9																		
	35mm	2.1	44.5	201.6	51.6	128.6	160.3	M12	30.2	19.1	106.4	68.3	54.0	17.5	27.0	4.8	93.7	187.3	18.3	4.8
209	1-5/8	9.2	2	8-1/8	2-3/8	6	6-1/2	5/8	15/16	3/4	4-9/16	2-63/64	2-1/4	3/4	1-1/4	1/4	3-11/16	7-3/8	13/16	3/16
	1-11/16	9.2																		
	1-3/4	9.2																		
	45mm	2.8	50.8	206.4	60.3	152.4	165.1	M12	23.8	19.1	115.9	75.8	57.2	19.1	31.8	6.4	93.7	187.3	20.6	4.8
210	1-15/16	10.8	2-3/32	9-1/2	2-1/2	6	7-1/2	5/8	1-7/16	7/8	5-3/32	3-15/64	2-1/2	3/4	1-11/32	1/4	4-3/8	8-3/4	7/8	3/16
	2	10.8																		
	50mm	3.3	53.2	241.3	63.5	152.4	190.5	M16	36.5	22.2	129.4	82.2	63.5	19.1	34.1	6.4	111.1	222.3	22.2	4.8
211	2-3/16	15.7	2-1/4	10-1/4	3	6-5/8	7-7/8	3/4	1-7/16	1-1/16	6-5/8	3-11/16	2-3/4	7/8	1-3/8	1/4	4-3/4	9-1/2	1-1/8	3/16
	55mm	4.8	57.2	260.4	76.2	168.3	200.0	M16	36.5	27.0	142.9	93.7	69.9	22.2	34.9	6.4	120.7	241.3	28.6	4.8
212	2-7/16	20.1	2-5/8	11-1/4	3-1/4	7-3/16	8-13/16	3/4	1-5/8	1-1/16	6-1/4	4-7/64	3	1	1-5/8	1/4	5-1/4	10-1/2	1-1/4	3/16
	60mm	6.1	66.7	285.6	82.6	182.6	223.8	M18	41.3	27.0	158.8	104.4	76.2	25.4	41.3	6.4	123.8	247.7	23.8	4.8

FEATURES/BENEFITS PAGE B5-2	NOMENCLATURE PAGE B5-4	SELECTION/DIMENSIONS PAGE B5-8	RELATED PRODUCTS PAGE B5-67
--------------------------------	---------------------------	-----------------------------------	--------------------------------

# SELECTION/DIMENSIONS



## D-LOK Ball Bearings DLM MEDIUM DUTY PILLOW BLOCKS



Series	Shaft Size	Part No.	Description
206	1	<b>128823</b>	P2B-DLMU-100
207	1-3/16	<b>128824</b>	P2B-DLM-103
	1-1/4	<b>128707</b>	P2B-DL-104
208	1-7/16	<b>128825</b>	P2B-DLM-107
	35mm	<b>126639</b>	<i>P2B-DLM-35M</i>
209	1-1/2	<b>128826</b>	P2B-DLM-108
	1-5/8	<b>128711</b>	P2B-DL-110L
210	1-11/16	<b>128827</b>	P2B-DLM-111
	1-3/4	<b>128828</b>	P2B-DLM-112
210 (DLMB)	1-11/16	<b>068373</b>	P2B-DLMB-111
211	1-15/16	<b>128829</b>	P2B-DLM-115
	2	<b>128830</b>	P2B-DLM-200
	50mm	<b>058997</b>	<i>P2B-DLM-50M</i>
212	2-3/16	<b>128831</b>	P2B-DLM-203
	2-1/4	<b>128832</b>	P2B-DLM-204
214	2-7/16	<b>128833</b>	P2B-DLM-207
	2-1/2	<b>128834</b>	<i>P2B-DLM-208</i>
	65mm	<b>126640</b>	<i>P2B-DLM-65M</i>
215	2-11/16	<b>128696</b>	P2B-DLM-211
216	2-15/16	<b>128697</b>	P2B-DLM-215
218	3-7/16	<b>128698</b>	P2B-DLM-307

FEATURES/BENEFITS  
PAGE B5-2

NOMENCLATURE  
PAGE B5-4

SELECTION/DIMENSIONS  
PAGE B5-8

RELATED PRODUCTS  
PAGE B5-67

# SELECTION/DIMENSIONS



## D-LOK Ball Bearings DLM MEDIUM DUTY PILLOW BLOCKS

D-LOK

Type E Family

Specialty Tapered

S-2000

UNISPHERE II

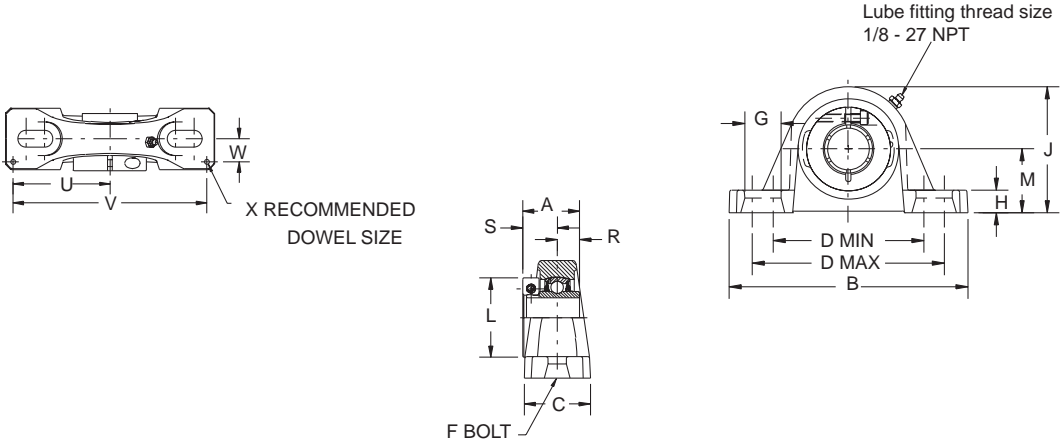
Series	Shaft Size	Weight lbs kg	A	B	C	D		F Bolt Dia.	G	H	J	L	M	R	S	U	V	W	X
						min.	max.												
206	1	4.2	1-9/16	6-1/4	1-47/64	4-1/4	5	1/2	15/16	3/4	3-5/16	2-7/32	1-3/4	5/8	15/16	2-7/8	5-3/4	9/16	3/16
207	1-3/16	5.6	1-3/4	6-1/2	1-47/64	4-11/16	5-7/16	1/2	15-16	45/64	3-3/4	2-11/16	1-7/8	11/16	1-1/16	2-29/32	5-13/16	9/16	3/16
208	1-1/4	4.9	2	7-1/4	1-15/16	5-3/16	5-7/8	1/2	29/32	15/16	4-3/16	2-47/64	2-1/8	3/4	1-1/4	3-17/64	6-17/32	11/16	3/16
	1-7/16 35mm	7.2 3.2	50.8	184.2	49.2	131.8	149.2	M12	23.0	23.8	106.4	69.5	54.0	19.1	31.8	82.9	165.9	17.5	4.8
209	1-1/2 1-5/8	9.2 6.8	2	7-7/16	2	5-1/2	6-3/16	1/2	29/32	15/16	4-15/32	3-1/16	2-5/16	3/4	1-1/4	3-3/8	6-3/4	11/16	3/16
210	1-11/16 1-3/4	10.1 10.1	2-3/32	8-1/8	2-1/4	6	6-11/16	5/8	1-1/64	13/16	4-19/32	3-9/32	2-5/16	3/4	1-11/32	3-11/16	7-3/8	13/16	3/16
210 (DLMB)	1-11/16		2-3/32	8-1/8	2-1/4	6	6-11/16	5/8	1-1/64	13/16	4-19/32	3-9/32		3/4	1-11/32	3-11/16	7-3/8	13/16	3/16
211	1-15/16	12.3	2-1/4	8-7/8	2-5/16	6-3/8	7-7/16	5/8	1-7/32	7/8	4-31/32	3-11/16	2-1/2	7/8	1-3/8	3-15/16	7-7/8	13/16	3/16
	2 50mm	12.2 5.5	57.2	225.4	58.8	161.9	188.9	M16	31.0	22.2	126.2	93.7	63.5	22.2	34.9	100.0	200.0	20.6	4.8
212	2-3/16 2-1/4	17.5 17.5	2-5/8	9-1/2	2-3/8	6-7/8	7-15/16	5/8	1-7/32	7/8	5-13/32	4-7/64	2-3/4	1	1-5/8	4-1/4	8-1/2	7/8	3/16
214	2-7/16	19.4	2-13/16	10-3/4	2-11/16	7-1/2	8-1/2	3/4	1-5/16	15/16	6-5/64	4-3/8	3	1-1/16	1-3/4	4-7/8	9-3/4	15/16	3/16
	2-1/2 65mm	19.4 6.9	71.4	273.1	68.3	190.5	215.9	M18	33.3	23.8	129.0	111.1	76.2	27.0	44.5	123.8	247.7	23.8	4.8
215	2-11/16	24.9	2-21/64	11-3/4	2-7/8	8-1/2	9-1/2	7/8	1-7/16	1	6-3/4	4-11/16	3-1/2	53/64	1-1/2	-----	-----	---	---
216	2-15/16	25.4	2-31/64	11-3/4	3	8-1/2	9-1/2	7/8	1-7/16	1-1/4	6-31/32	5	3-1/2	27/32	1-41/64	-----	-----	---	---
218	3-7/16	34.9	2-21/32	14	3-3/8	10-5/16	11-5/8	7/8	1-19/32	1-5/16	8	5-1/2	4	59/64	1-47/64	-----	-----	---	---

FEATURES/BENEFITS PAGE B5-2	NOMENCLATURE PAGE B5-4	SELECTION/DIMENSIONS PAGE B5-8	RELATED PRODUCTS PAGE B5-67
--------------------------------	---------------------------	-----------------------------------	--------------------------------

# SELECTION/DIMENSIONS



## D-LOK Ball Bearings DLMAH MEDIUM DUTY AIR HANDLING PILLOW BLOCKS



Series	Shaft Size	Part No.	Description
206	1	<b>128474</b>	P2B-DLMAH-100
207	1-3/16	<b>128475</b>	P2B-DLMAH-103
	1-1/4	<b>065784</b>	P2B-DLAH-104
208	1-7/16	<b>128476</b>	P2B-DLMAH-107
209	1-1/2	<b>128477</b>	P2B-DLMAH-108
	1-5/8	<b>@</b>	P2B-DLAH-110L
210	1-11/16	<b>128478</b>	P2B-DLMAH-111
	1-3/4	<b>128479</b>	P2B-DLMAH-112
211	1-15/16	<b>128480</b>	P2B-DLMAH-115
	2	<b>128481</b>	P2B-DLMAH-200
212	2-3/16	<b>128482</b>	P2B-DLMAH-203
	2-1/4	<b>128483</b>	P2B-DLMAH-204
214	2-7/16	<b>128484</b>	P2B-DLMAH-207
	2-1/2	<b>128485</b>	P2B-DLMAH-208
215	2-11/16	<b>128488</b>	P2B-DLMAH-211
216	2-15/16	<b>128489</b>	P2B-DLMAH-215
218	3-7/16	<b>128490</b>	P2B-DLMAH-307

@ Assembled to order

FEATURES/BENEFITS  
PAGE B5-2

NOMENCLATURE  
PAGE B5-4

SELECTION/DIMENSIONS  
PAGE B5-8

RELATED PRODUCTS  
PAGE B5-67

# SELECTION/DIMENSIONS



## D-LOK Ball Bearings

### DLMAH MEDIUM DUTY AIR HANDLING PILLOW BLOCKS

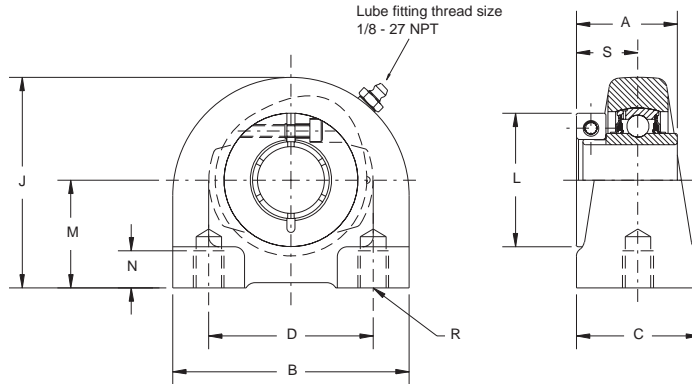
Series	Shaft Size	Weight lbs	A	B	C	D		F Bolt Dia.	G	H	J	L	M	R	S	U	V	W	X
						min.	max.												
206	1	4.2	1-9/16	6-1/4	1-47/64	4-1/4	5	1/2	15/16	3/4	3-5/16	2-7/32	1-3/4	5/8	15/16	2-7/8	5-3/4	9/16	3/16
207	1-3/16	5.6	1-3/4	6-1/2	1-47/64	4-11/16	5-7/16	1/2	15-16	45/64	3-3/4	2-11/16	1-7/8	11/16	1-1/16	2-29/32	5-13/16	9/16	3/16
	1-1/4	4.9																	
208	1-7/16	7.2	2	7-1/4	1-15/16	5-3/16	5-7/8	1/2	29/32	15/16	4-3/16	2-47/64	2-1/8	3/4	1-1/4	3-17/64	6-17/32	11/16	3/16
209	1-1/2	9.2	2	7-7/16	2	5-1/2	6-3/16	1/2	29/32	15/16	4-15/32	3-1/16	2-5/16	3/4	1-1/4	3-3/8	6-3/4	11/16	3/16
	1-5/8	6.8																	
210	1-11/16	10.1	2-3/32	8-1/8	2-1/4	6	6-11/16	5/8	1-1/64	13/16	4-19/32	3-9/32	2-5/16	3/4	1-11/32	3-11/16	7-3/8	13/16	3/16
	1-3/4	10.1																	
211	1-15/16	12.3	2-1/4	8-7/8	2-5/16	6-3/8	7-7/16	5/8	1-7/32	7/8	4-31/32	3-11/16	2-1/2	7/8	1-3/8	3-15/16	7-7/8	13/16	3/16
	2	12.2																	
212	2-3/16	17.5	2-5/8	9-1/2	2-3/8	6-7/8	7-15/16	5/8	1-7/32	7/8	5-13/32	4-7/64	2-3/4	1	1-5/8	4-1/4	8-1/2	7/8	3/16
	2-1/4	17.5																	
214	2-7/16	19.4	2-13/16	10-3/4	2-11/16	7-1/2	8-1/2	3/4	1-5/16	15/16	6-5/64	4-3/8	3	1-1/16	1-3/4	4-7/8	9-3/4	15/16	3/16
	2-1/2	19.4																	
215	2-11/16	24.9	2-21/64	11-3/4	2-7/8	8-1/2	9 1/2	7/8	1-7/16	1	6-3/4	4-11/16	3-1/2	53/64	1-1/2	-----	-----	-----	-----
216	2-15/16	25.4	2-31/64	11-3/4	3	8-1/2	9 1/2	7/8	1-7/16	1-1/4	6-31/32	5	3-1/2	27/32	1-41/64	-----	-----	-----	-----
218	3-7/16	34.9	2-21/32	14	3-3/8	10-5/16	11-5/8	7/8	1-19/32	1-5/16	8	5-1/2	4	59/64	1-47/64	-----	-----	-----	-----

FEATURES/BENEFITS PAGE B5-2	NOMENCLATURE PAGE B5-4	SELECTION/DIMENSIONS PAGE B5-8	RELATED PRODUCTS PAGE B5-67
--------------------------------	---------------------------	-----------------------------------	--------------------------------

# SELECTION/DIMENSIONS



## D-LOK Ball Bearings DL NORMAL DUTY TAPPED BASE PILLOW BLOCKS



Series	Shaft Size	Part No.	Description
204	3/4	<b>128742</b>	TB-DL-012
	20mm	@	TB-DL-20M
205	7/8	<b>053011</b>	TB-DL-014
	15/16	<b>128743</b>	TB-DL-015
	1	<b>128744</b>	TB-DL-100
	25mm	@	TB-DL-25M
206	1-1/8	<b>128745</b>	TB-DL-102
	1-3/16	<b>128746</b>	TB-DL-103
	1-1/4	<b>128747</b>	TB-DL-104S
	30mm	@	TB-DL-30M
207	1-1/4	<b>128748</b>	TB-DL-104
	1-3/8	<b>128749</b>	TB-DL-106
	1-7/16	<b>128750</b>	TB-DL-107
	35mm	@	TB-DL-35M
208	1-1/2	<b>128751</b>	TB-DL-108
	40mm	@	TB-DL-40M
209	1-5/8	<b>128752</b>	TB-DL-110L
	1-11/16	<b>128753</b>	TB-DL-111
	1-3/4	<b>128754</b>	TB-DL-112
	45mm	@	TB-DL-45M
210	1-15/16	<b>128755</b>	TB-DL-115
	2	<b>128756</b>	TB-DL-200
	50mm	@	TB-DL-50M

@ Assembled to order

FEATURES/BENEFITS  
PAGE B5-2

NOMENCLATURE  
PAGE B5-4

SELECTION/DIMENSIONS  
PAGE B5-8

RELATED PRODUCTS  
PAGE B5-67



# SELECTION/DIMENSIONS



## D-LOK Ball Bearings DL NORMAL DUTY TAPPED BASE PILLOW BLOCKS

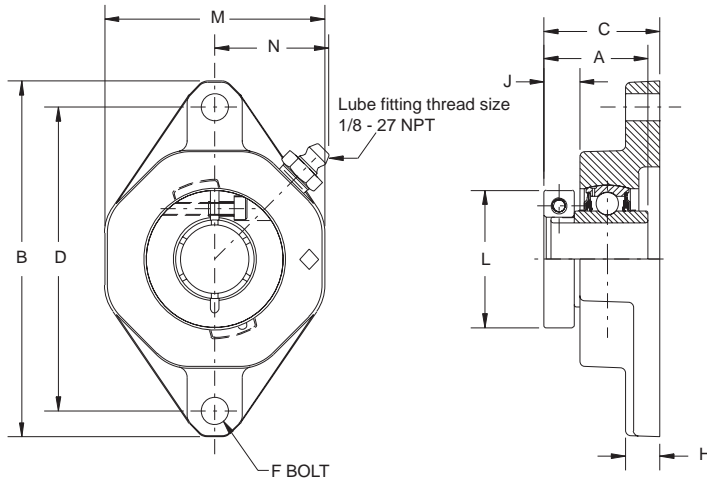
Series	Shaft Size	Weight lbs kg	A	B	C	D	J	L	M	N Min. Tap Depth	R Bolt Hole UNC-Thread	S
204	3/4	1.9	1-9/32	2-7/8	1-1/2	2	2-9/16	1-45/64	1-5/16	1/2	3/8-16	25/32
	20mm	0.9	32.5	73.0	38.1	50.8	65.1	43.3	33.3	12.7	M8 x 1.25	19.8
205	7/8	2.1	1-7/16	3	1-1/2	2	2-13/16	2	1-7/16	1/2	3/8-16	7/8
	15/16	2.0										
	1	1.9										
206	25mm	1.0	36.5	76.2	38.1	50.8	71.4	50.8	36.5	12.7	M10 x 1.5	22.2
	1-1/8	3.6	1-9/16	4	1-1/2	3	3-3/8	2-7/32	1-11/16	5/8	7/16-14	15/16
	1-3/16	3.5										
207	1-1/4	4.7	1-3/4	4-1/4	1-7/8	3-1/4	3-3/4	2-11/16	1-7/8	3/4	1/2-13	1-1/16
	1-3/8	4.7										
	1-7/16	4.6										
208	35mm	2.2	44.5	108.0	47.6	82.6	95.3	68.3	47.6	19.1	M10 x 1.5	27.0
	1-1/2	6.2	2	4-5/8	1-7/8	3-1/2	3-15/16	2-25/32	1-15/16	3/4	1/2-13	1-1/4
	40mm	2.8	50.8	117.5	47.6	88.9	100.0	70.6	49.2	19.1	M12 x 1.75	31.8
209	1-5/8	6.7	2	5	2	3-3/4	4-1/4	3-1/16	2-1/8	3/4	1/2-13	1-1/4
	1-11/16	6.7										
	1-3/4	6.6										
210	45mm	3.1	50.8	127.0	50.8	95.3	108.0	77.8	54.0	19.1	M12 x 1.75	31.8
	1-15/16	8.6	2-3/32	5-1/2	2	4	4-5/8	3-9/32	2-1/4	7/8	5/8-11	1-11/32
	2	8.5										
	50mm	3.9	53.2	139.7	50.8	101.6	117.5	83.3	57.2	22.2	M16 x 2	34.1

FEATURES/BENEFITS PAGE B5-2	NOMENCLATURE PAGE B5-4	SELECTION/DIMENSIONS PAGE B5-8	RELATED PRODUCTS PAGE B5-67
--------------------------------	---------------------------	-----------------------------------	--------------------------------

# SELECTION/DIMENSIONS



## D-LOK Ball Bearings DL NORMAL DUTY 2-BOLT FLANGE BEARINGS



Series	Shaft Size	Standard		No Lube/Sealed for Life (-NL)	
		Part No.	Description	Part No.	Description
204	3/4	<b>128757</b>	F2B-DL-012	<b>052931</b>	F2B-DL-012-NL
	20mm	<b>126611</b>	<i>F2B-DL-20M</i>	@	<i>F2B-DL-20M-NL</i>
205	7/8	<b>128758</b>	F2B-DL-014	@	F2B-DL-014-NL
	15/16	<b>128759</b>	F2B-DL-015	<b>059850</b>	F2B-DL-015-NL
	1	<b>128760</b>	F2B-DL-100	<b>052984</b>	F2B-DL-100-NL
	25mm	<b>126612</b>	<i>F2B-DL-25M</i>	<b>059680</b>	<i>F2B-DL-25M-NL</i>
206	1-1/8	<b>128761</b>	F2B-DL-102	@	F2B-DL-102-NL
	1-3/16	<b>128762</b>	F2B-DL-103	@	F2B-DL-103-NL
	1-1/4	<b>128763</b>	F2B-DL-104S	@	F2B-DL-104S-NL
	30mm	<b>126613</b>	<i>F2B-DL-30M</i>	@	<i>F2B-DL-30M-NL</i>
207	1-1/4	<b>128764</b>	F2B-DL-104	<b>058625</b>	F2B-DL-104-NL
	1-3/8	<b>128765</b>	F2B-DL-106	@	F2B-DL-106-NL
	1-7/16	<b>128766</b>	F2B-DL-107	<b>056961</b>	F2B-DL-107-NL
	35mm	<b>126614</b>	<i>F2B-DL-35M</i>	<b>065658</b>	<i>F2B-DL-35M-NL</i>
208	1-1/2	<b>128767</b>	F2B-DL-108	<b>059857</b>	F2B-DL-108-NL
	40mm	<b>126615</b>	<i>F2B-DL-40M</i>	@	<i>F2B-DL-40M-NL</i>
209	1-5/8	<b>128768</b>	F2B-DL-110L	@	F2B-DL-110L-NL
	1-11/16	<b>128769</b>	F2B-DL-111	<b>056962</b>	F2B-DL-111-NL
	1-3/4	<b>128770</b>	F2B-DL-112	<b>054142</b>	F2B-DL-112-NL
	45mm	<b>126616</b>	<i>F2B-DL-45M</i>	@	<i>F2B-DL-45M-NL</i>
210	1-15/16	<b>128771</b>	F2B-DL-115	<b>056967</b>	F2B-DL-115-NL
	2	<b>128772</b>	F2B-DL-200	@	F2B-DL-200-NL
	50mm	<b>126617</b>	<i>F2B-DL-50M</i>	@	<i>F2B-DL-50M-NL</i>
211	2	<b>128842</b>	F2B-DLM-200	@	F2B-DLM-200-NL
	2-3/16	<b>128774</b>	F2B-DL-203	@	F2B-DL-203-NL
	55mm	<b>126618</b>	<i>F2B-DL-55M</i>	@	<i>F2B-DL-55M-NL</i>

@ Assembled to order

FEATURES/BENEFITS PAGE B5-2	NOMENCLATURE PAGE B5-4	SELECTION/DIMENSIONS PAGE B5-8	RELATED PRODUCTS PAGE B5-67
--------------------------------	---------------------------	-----------------------------------	--------------------------------

# SELECTION/DIMENSIONS



## D-LOK Ball Bearings DL NORMAL DUTY 2-BOLT FLANGE BEARINGS

D-LOK

Type E Family

Specialty Tapered

S-2000

UNISPHERE II

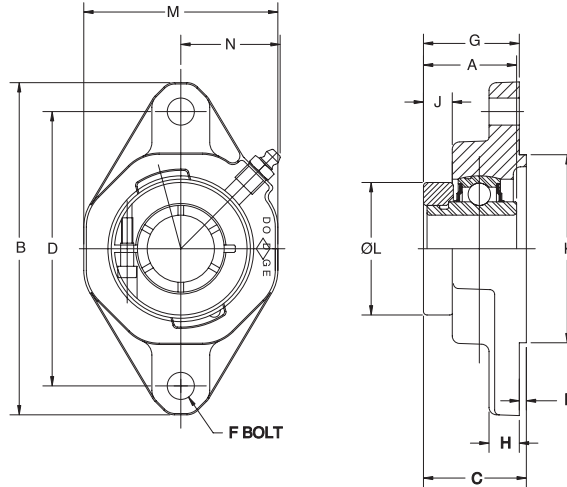
Series	Shaft Size	Weight lbs kg	A	B	C	D	F Bolt Dia.	H	J	L	M	N
204	3/4	1.4	1-9/32	4-27/64	1-11/32	3-17/32	3/8	13/32	3/8	1-45/64	2-3/8	1-3/8
	20mm	0.6	32.5	112.3	34.1	89.7	M10	10.3	9.5	43.3	60.3	34.9
205	7/8	1.8	1-7/16	4-7/8	1-1/2	3-57/64	7/16	15/32	15/32	2	2-3/4	1-9/16
	15/16	1.8										
	1	1.8										
206	25mm	0.8	36.5	123.8	38.1	98.8	M10	11.9	11.9	50.8	69.9	39.7
	1-1/8	2.4	1-9/16	5-9/16	1-5/8	4-19/32	7/16	17/32	31/64	2-7/32	3-1/4	1-3/4
	1-3/16	2.4										
	1-1/4	2.3										
207	30mm	1.1	39.7	141.3	41.3	116.7	M10	13.5	12.3	56.4	82.6	44.5
	1-1/4	3.5	1-3/4	6-1/8	1-13/16	5-1/8	1/2	35/64	9/16	2-11/16	3-3/4	1-57/64
	1-3/8	3.5										
	1-7/16	3.4										
208	35mm	1.6	44.5	155.6	46.0	130.2	M12	13.9	14.3	68.3	95.3	48.0
	1-1/2	4.8	2	6-3/4	2-5/64	5-21/32	1/2	17/32	21/32	2-47/64	4-1/8	1-7/8
	40mm	2.2	50.8	171.5	52.8	143.7	M12	13.5	16.7	69.5	104.8	47.6
209		5.2	2	7-1/16	2-7/64	5-27/32	9/16	9/16	21/32	2-63/64	4-3/8	1-31/32
	1-5/8	5.2										
	1-11/16	5.2										
	1-3/4	5.2										
210	45mm	2.4	50.8	179.4	53.6	148.4	M16	14.3	16.7	75.8	111.1	50.0
	1-15/16	6.0	2-3/32	7-7/16	2-7/32	6-3/16	9/16	35/64	11/16	3-15/64	4-9/16	2-1/32
	2	5.9										
211	50mm	2.7	53.2	188.9	56.4	157.2	M16	13.9	17.5	82.1	115.9	51.6
	2	9.1	2-1/4	8-1/2	2-3/8	7-1/4	5/8	19/32	11/16	3-11/16	5-1/4	2-9/32
	2-3/16	9.1										
	55mm	4.1	57.2	215.9	60.3	184.2	M16	15.1	17.5	93.7	133.4	57.9

FEATURES/BENEFITS PAGE B5-2	NOMENCLATURE PAGE B5-4	SELECTION/DIMENSIONS PAGE B5-8	RELATED PRODUCTS PAGE B5-67
--------------------------------	---------------------------	-----------------------------------	--------------------------------

# SELECTION/DIMENSIONS



## D-LOK Ball Bearings DL NORMAL DUTY 2-BOLT PILOTED FLANGE BEARINGS



Series	Shaft Size	Part No.	Description
204	3/4	<b>056696</b>	F2BZ-DL-012
	20mm	<b>126646</b>	F2BZ-DL-20M
205	7/8	<b>067997</b>	F2BZ-DL-014
	15/16	@	F2BZ-DL-015
	1	<b>056867</b>	F2BZ-DL-100
	25mm	<b>126647</b>	F2BZ-DL-25M
206	1-1/8	@	F2BZ-DL-102
	1-3/16	@	F2BZ-DL-103
	1-1/4	<b>064473</b>	F2BZ-DL-104S
	30mm	<b>126648</b>	F2BZ-DL-30M
207	1-1/4	@	F2BZ-DL-104
	1-3/8	@	F2BZ-DL-106
	1-7/16	@	F2BZ-DL-107
	35mm	<b>126649</b>	F2BZ-DL-35M
208	1-1/2	<b>065770</b>	F2BZ-DL-108
	40mm	<b>126650</b>	F2BZ-DL-40M
209	1-5/8	@	F2BZ-DL-110L
	1-11/16	@	F2BZ-DL-111
	1-3/4	@	F2BZ-DL-112
	45mm	<b>126651</b>	F2BZ-DL-45M
210	1-15/16	<b>067958</b>	F2BZ-DL-115
	2	<b>065771</b>	F2BZ-DL-200
	50mm	<b>126652</b>	F2BZ-DL-50M

@ Assembled to order

FEATURES/BENEFITS  
PAGE B5-2

NOMENCLATURE  
PAGE B5-4

SELECTION/DIMENSIONS  
PAGE B5-8

RELATED PRODUCTS  
PAGE B5-67

# SELECTION/DIMENSIONS



## D-LOK Ball Bearings DL NORMAL DUTY 2-BOLT PILOTED FLANGE BEARINGS

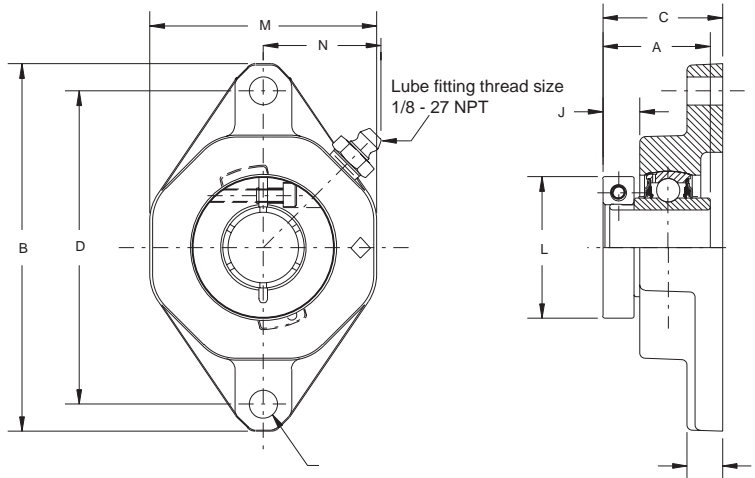
Series	Shaft Size	Weight lbs kg	A	B	C	D	E	F Bolt Dia.	G	H	J	K	L	M	N
204	3/4	1.4	1-9/32	4-27/64	1-17/32	3-17/32	0.138	3/8	1-25/64	29/64	3/8	2.1654	1-45/64	2-3/8	1-3/8
	20mm	0.6	32.5	112.3	38.8	89.7	3.5	M10	35.3	11.5	9.5	55.0	43.3	60.3	34.9
205	7/8	1.8	1-7/16	4-7/8	1-5/8	3-57/64	0.138	7/16	1-31/64	29/64	15/32	2.3622	2	2-3/4	1-9/16
	15/16	1.8													
	1	1.8													
	25mm	0.8	36.5	123.8	41.1	98.8	3.5	M10	37.6	11.5	11.9	60.0	50.8	69.9	39.7
206	1-1/8	2.4	1-9/16	5-9/16	1-51/64	4-19/32	0.118	7/16	1-43/64	1/2	31/64	3.1496	2-7/32	3-1/4	1-3/4
	1-3/16	2.4													
	1-1/4	2.3													
	30mm	1.1	39.7	141.3	45.4	116.7	3.0	M10	42.4	12.7	12.3	80.0	56.4	82.6	44.5
207	1-1/4	3.5	1-3/4	6-1/8	1-57/64	5-1/8	0.158	1/2	1-47/64	31/64	9/16	3.5433	2-11/16	3-3/4	1-57/64
	1-3/8	3.5													
	1-7/16	3.4													
	35mm	1.6	44.5	155.6	48.0	130.2	4.0	M12	44.0	12.3	14.3	90.0	68.3	95.3	48.0
208	1-1/2	4.8	2	6-3/4	2-13/64	5-21/32	0.158	1/2	2-1/32	1/2	21/32	3.9370	2-47/64	4-1/8	1-7/8
	40mm	2.2	50.8	171.5	55.8	143.7	4.0	M12	51.8	12.7	16.7	100.0	69.5	104.8	47.6
209	1-5/8	5.2	2	7-1/16	2-13/64	5-27/32	0.158	1/2	2-1/32	31/64	21/32	4.1339	2-63/64	4-3/8	1-31/32
	1-11/16	5.2													
	1-3/4	5.2													
	45mm	2.4	50.8	179.4	55.8	148.4	4.0	M12	51.8	12.3	16.7	105.0	75.8	111.1	50.0
210	1-15/16	6.0	2-3/32	7-7/16	2-29/64	6-3/16	0.158	9/16	2-19/64	5/8	11/16	4.1339	3-15/64	4-9/16	2-1/32
	2	5.9													
	50mm	2.6	53.2	188.9	62.1	157.2	4.0	M16	58.1	15.9	17.5	105.0	82.2	115.9	51.6

FEATURES/BENEFITS PAGE B5-2	NOMENCLATURE PAGE B5-4	SELECTION/DIMENSIONS PAGE B5-8	RELATED PRODUCTS PAGE B5-67
--------------------------------	---------------------------	-----------------------------------	--------------------------------

# SELECTION/DIMENSIONS



## D-LOK Ball Bearings DLM MEDIUM DUTY 2-BOLT FLANGE BEARINGS



Series	Shaft Size	Part No.	Description
206	1	<b>128835</b>	F2B-DLM-100
207	1-3/16	<b>128836</b>	F2B-DLM-103
	1-1/4	<b>128764</b>	F2B-DL-104
208	1-7/16	<b>128837</b>	F2B-DLM-107
	35mm	<b>126641</b>	F2B-DLM-35M
209	1-1/2	<b>128838</b>	F2B-DLM-108
210	1-11/16	<b>128839</b>	F2B-DLM-111
	1-3/4	<b>128840</b>	F2B-DLM-112
211	1-15/16	<b>128841</b>	F2B-DLM-115
	2	<b>128842</b>	F2B-DLM-200

D-LOK

Type E Family

Specialty Tapered

S-2000

UNISPHERE II

FEATURES/BENEFITS PAGE B5-2	NOMENCLATURE PAGE B5-4	SELECTION/DIMENSIONS PAGE B5-8	RELATED PRODUCTS PAGE B5-67
--------------------------------	---------------------------	-----------------------------------	--------------------------------

# SELECTION/DIMENSIONS



## D-LOK Ball Bearings DLM MEDIUM DUTY 2-BOLT FLANGE BEARINGS

D-LOK

Type E Family

Speciality Tapered

S-2000

UNISPHERE II

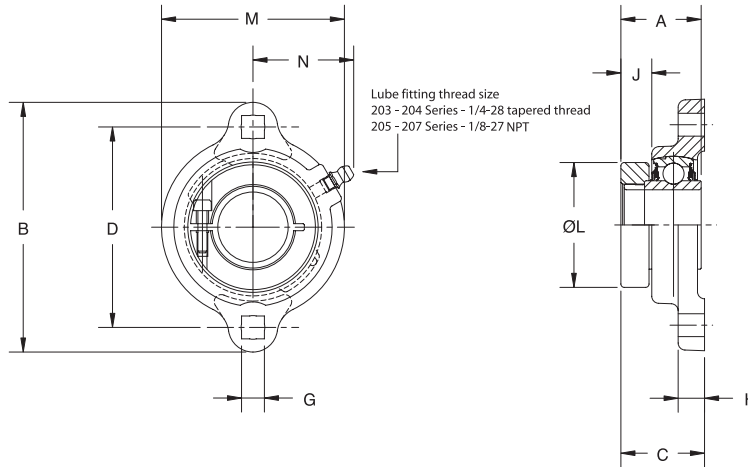
Series	Shaft Size	Weight lbs kg	A	B	C	D	F Bolt Dia.	H	J	L	M	N
206	1	2.6	1-9/16	5-9/16	1-5/8	4-19/32	7/16	17/32	31/64	2-7/32	3-1/4	1-3/4
207	1-3/16 1-1/4	3.7 3.5	1-3/4	6-1/8	1-13/16	5-1/8	1/2	35/64	9/16	2-11/16	3-3/4	1-57/64
208	1-7/16 35mm	5.0 2.2	2 50.8	6-3/4 171.5	2-5/64 52.8	5-21/32 143.7	1/2 M12	17/32 13.5	21/32 16.7	2-47/64 69.5	4-1/8 104.8	1-7/8 47.6
209	1-1/2	5.6	2	7-1/16	2-7/64	5-27/32	9/16	17/32	21/32	2-47/64	4-3/8	1-31/32
210	1-11/16 1-3/4	6.2 6.1	2-3/32	7-7/16	2-7/32	6-3/16	9/16	35/64	11/16	3-15/64	4-9/16	2-1/32
211	1-15/16 2	9.2 9.1	2-1/4	8-1/2	2-3/8	7-1/4	5/8	19/32	11/16	3-11/16	5-1/4	2-9/32

FEATURES/BENEFITS PAGE B5-2	NOMENCLATURE PAGE B5-4	SELECTION/DIMENSIONS PAGE B5-8	RELATED PRODUCTS PAGE B5-67
--------------------------------	---------------------------	-----------------------------------	--------------------------------

# SELECTION/DIMENSIONS



## D-LOK Ball Bearings DL LFT NORMAL DUTY 2-BOLT FLANGE BEARINGS



Series	Shaft Size	Part No.	Description
204	3/4	@	LFT-DL-012
205	7/8	<b>053140</b>	LFT-DL-014
	15/16	<b>062525</b>	LFT-DL-015
	1	<b>052668</b>	LFT-DL-100
206	1-1/8	@	LFT-DL-102
	1-3/16	<b>056889</b>	LFT-DL-103
	1-1/4	<b>052535</b>	LFT-DL-104S
207	1-1/4	@	LFT-DL-104
	1-3/8	@	LFT-DL-106
	1-7/16	<b>049447</b>	LFT-DL-107

@ Assembled to order

D-LOK

Type E Family

Specialty Tapered

S-2000

UNISPHERE II

FEATURES/BENEFITS PAGE B5-2	NOMENCLATURE PAGE B5-4	SELECTION/DIMENSIONS PAGE B5-8	RELATED PRODUCTS PAGE B5-67
--------------------------------	---------------------------	-----------------------------------	--------------------------------



# SELECTION/DIMENSIONS



## D-LOK Ball Bearings DL LFT NORMAL DUTY 2-BOLT FLANGE BEARINGS

D-LOK

Type E Family

Specialty Tapered

S-2000

UNISPHERE II

Series	Shaft Size	Weight lbs	A	B	C	D	G	H	J	L	M	N
204	3/4	0.80	1-9/32	3-9/16	1-17/32	2-13/16	11/32	27/64	3/8	1-45/64	2-3/8	1-11/32
205	7/8	0.95	1-7/16	3-3/4	1-1/4	3	11/32	27/64	13/32	2	2-5/8	1-7/16
	15/16	0.90										
	1	0.85										
206	1-1/8	1.50	1-9/16	4-7/16	1-35/64	3-9/16	13/32	15/32	17/32	2-7/32	3-1/4	1-23/32
	1-3/16	1.45										
	1-1/4	1.40										
207	1-1/4	1.85	1-3/4	4-13/16	1-19/32	3-15/16	13/32	1/2	17/32	2-11/16	3-1/2	1-53/64
	1-3/8	1.80										
	1-7/16	1.75										

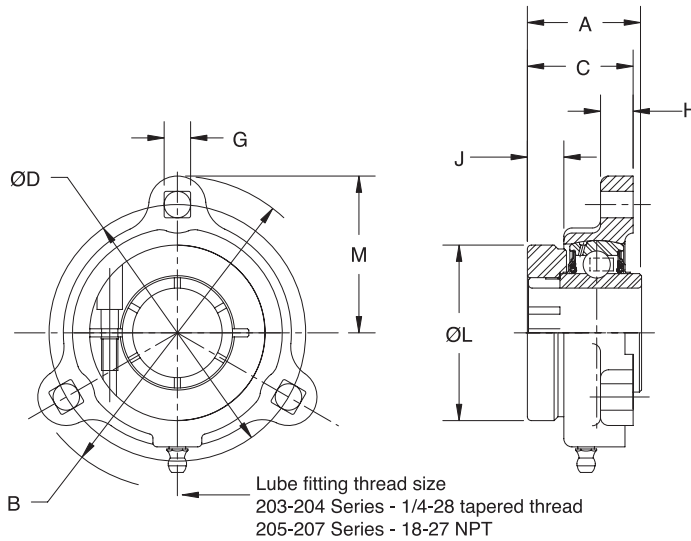
Lube fitting thread size - 1/4-28 tapered thread

FEATURES/BENEFITS PAGE B5-2	NOMENCLATURE PAGE B5-4	SELECTION/DIMENSIONS PAGE B5-8	RELATED PRODUCTS PAGE B5-67
--------------------------------	---------------------------	-----------------------------------	--------------------------------

# SELECTION/DIMENSIONS



## D-LOK Ball Bearings DL LFT NORMAL DUTY 3-BOLT FLANGE BEARINGS



Series	Shaft Size	Part No.	Description
204	3/4	<b>049709</b>	LF-DL-012
205	7/8	<b>064735</b>	LF-DL-014
	15/16	@	LF-DL-015
	1	<b>056890</b>	LF-DL-100
206	1-1/8	<b>049930</b>	LF-DL-102
	1-3/16	<b>056780</b>	LF-DL-103
	1-1/4	@	LF-DL-104S
207	1-1/4	<b>064624</b>	LF-DL-104
	1-3/8	<b>068663</b>	LF-DL-106
	1-7/16	@	LF-DL-107

@ Assemble to order

# SELECTION/DIMENSIONS



## D-LOK Ball Bearings DL LFT NORMAL DUTY 3-BOLT FLANGE BEARINGS

D-LOK

Type E Family

Specialty Tapered

S-2000

UNISPHERE II

Series	Shaft Size	Weight lbs	A	B	C	D	G	H	J	L	M	N
204	3/4	0.85	1-9/32	3-9/16	1-7/32	2-13/16	23/64	3/8	11/32	23/64	1-19/32	1-27/32
205	7/8	1.10	1-7/16	3-3/4	1-1/4	3	11/32	27/64	3/8	27/64	1-25/32	1-37/64
	15/16	1.05										
	1	1.00										
206	1-1/8	1.65	1-9/16	4-7/16	1-15/32	3-9/16	13/32	27/64	13/32	27/64	1-7/8	1-45/64
	1-3/16	1.60										
	1-1/4	1.55										
207	1-1/4	1.50	1-3/4	4-13/16	1-19/32	3-15/16	13/32	15/32	17/32	31/64	2-7/32	2-1/64
	1-3/8	2.10										
	1-7/16	2.05										

FEATURES/BENEFITS PAGE B5-2	NOMENCLATURE PAGE B5-4	SELECTION/DIMENSIONS PAGE B5-8	RELATED PRODUCTS PAGE B5-67
--------------------------------	---------------------------	-----------------------------------	--------------------------------

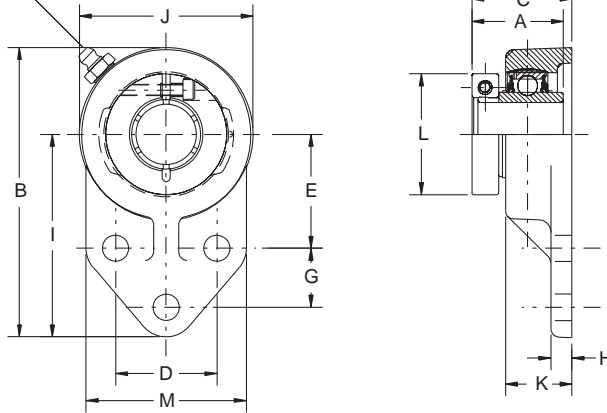
# SELECTION/DIMENSIONS



## D-LOK Ball Bearings

### DL FB NORMAL DUTY 3-BOLT FLANGE BRACKET BEARINGS

Lube fitting thread size  
1/8 - 27 NPT



Series	Shaft Size	Part No.	Description
204	3/4	<b>128796</b>	FB-DL-012
205	7/8	<b>128797</b>	FB-DL-014
	15/16	<b>128798</b>	FB-DL-015
	1	<b>128799</b>	FB-DL-100
206	1-1/8	<b>128800</b>	FB-DL-102
	1-3/16	<b>128801</b>	FB-DL-103
	1-1/4	<b>128802</b>	FB-DL-104S
207	1-1/4	<b>128803</b>	FB-DL-104
	1-3/8	<b>128804</b>	FB-DL-106
	1-7/16	<b>128805</b>	FB-DL-107
208	1-15/16	<b>128806</b>	FB-DL-115
	2	<b>128807</b>	FB-DL-200

@ Assembled to order

D-LOK

Type E Family

Specialty Tapered

S-2000

UNISPHERE II

FEATURES/BENEFITS PAGE B5-2	NOMENCLATURE PAGE B5-4	SELECTION/DIMENSIONS PAGE B5-8	RELATED PRODUCTS PAGE B5-67
--------------------------------	---------------------------	-----------------------------------	--------------------------------

# SELECTION/DIMENSIONS



## D-LOK Ball Bearings DL FB NORMAL DUTY 3-BOLT FLANGE BRACKET BEARINGS

D-LOK

Type E Family

Specialty Tapered

S-2000

UNISPHERE II

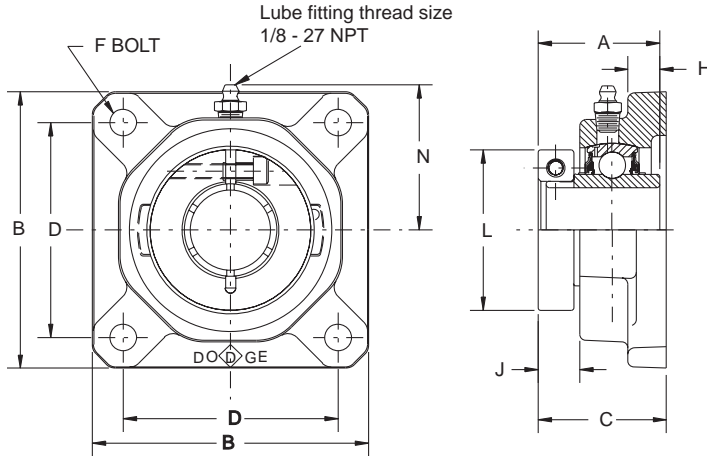
Series	Shaft Size	Weight lbs	A	B	C	D	E	F Bolt Dia.	G	H	I	J	K	L	M
204	3/4	0.80	1-9/32	4-1/4	1-11/32	1-1/2	1-11/16	3/8	7/8	5/16	3	2-1/2	63/64	1-45/64	2-3/8
205	7/8	0.95	1-7/16	4-3/4	1-1/2	1-5/8	1-13/16	3/8	1-1/8	3/8	3-3/8	2-3/4	1-7/64	2	2-1/2
	15/16	0.90													
	1	0.85													
206	1-1/8	1.50	1-9/16	5-3/8	1-5/8	1-7/8	2-1/16	3/8	1-1/4	3/8	3-3/4	3-1/4	1-1/8	2-7/32	2-3/4
	1-3/16	1.45													
	1-1/4	1.40													
207	1-1/4	1.85	1-3/4	6-1/8	1-7/8	2	2-3/8	1/2	1-1/4	1/2	4-1/4	3-3/4	1-5/16	2-11/16	3-1/4
	1-3/8	1.80													
	1-7/16	1.75													
210	1-15/16	5.7	2-3/32	7-1/2	2-1/32	2-3/4	2-15/16	1/2	1-5/8	1/2	5-3/16	4-5/8	1-1/2	3-15/64	4
	2	5.6													

FEATURES/BENEFITS PAGE B5-2	NOMENCLATURE PAGE B5-4	SELECTION/DIMENSIONS PAGE B5-8	RELATED PRODUCTS PAGE B5-67
--------------------------------	---------------------------	-----------------------------------	--------------------------------

# SELECTION/DIMENSIONS



## D-LOK Ball Bearings DL NORMAL DUTY 4-BOLT FLANGE BEARINGS



Series	Shaft Size	Standard		No Lube/Sealed for Life (-NL)	
		Part No.	Description	Part No.	Description
204	3/4	128775	F4B-DL-012	@	F4B-DL-012-NL
	20mm	126619	F4B-DL-20M	@	F4B-DL-20M-NL
205	7/8	128776	F4B-DL-014	@	F4B-DL-014-NL
	15/16	128777	F4B-DL-015	@	F4B-DL-015-NL
	1	128778	F4B-DL-100	056512	F4B-DL-100-NL
	25mm	126620	F4B-DL-25M	@	F4B-DL-25M-NL
206	1-1/8	128779	F4B-DL-102	@	F4B-DL-102-NL
	1-3/16	128780	F4B-DL-103	@	F4B-DL-103-NL
	1-1/4	128781	F4B-DL-104S	068320	F4B-DL-104S-NL
	30mm	126621	F4B-DL-30M	@	F4B-DL-30M-NL
207	1-1/4	128782	F4B-DL-104	058898	F4B-DL-104-NL
	1-3/8	128783	F4B-DL-106	068758	F4B-DL-106-NL
	1-7/16	128784	F4B-DL-107	059705	F4B-DL-107-NL
	35mm	126622	F4B-DL-35M	@	F4B-DL-35M-NL
208	1-1/2	128785	F4B-DL-108	@	F4B-DL-108-NL
	40mm	126623	F4B-DL-40M	@	F4B-DL-40M-NL

@ Assembled to order

FEATURES/BENEFITS PAGE B5-2	NOMENCLATURE PAGE B5-4	SELECTION/DIMENSIONS PAGE B5-8	RELATED PRODUCTS PAGE B5-67
--------------------------------	---------------------------	-----------------------------------	--------------------------------

# SELECTION/DIMENSIONS



## D-LOK Ball Bearings DL NORMAL DUTY 4-BOLT FLANGE BEARINGS

D-LOK

Type E Family

Specialty Tapered

S-2000

UNISPHERE II

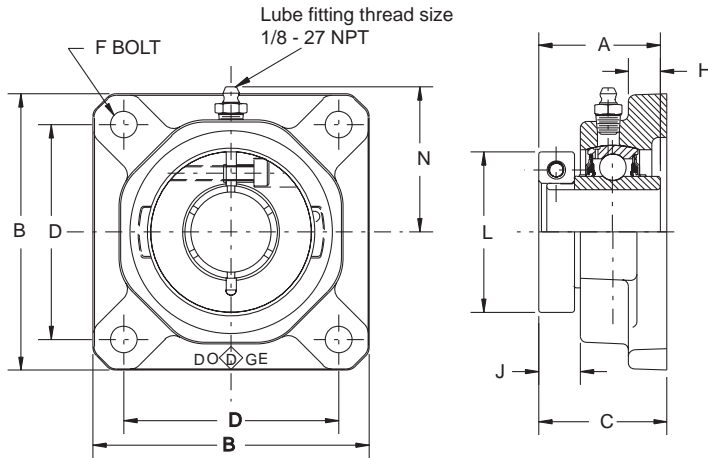
Series	Shaft Size	Weight lbs kg	A	B	C	D	F Bolt Dia.	H	J	L	N
204	3/4	1.7	1-9/32	3-3/8	1-11/32	2-1/2	3/8	13/32	3/8	1-45/64	2-1/32
	20mm	0.8	32.5	85.7	34.1	63.5	M10	10.3	9.5	43.3	51.6
205	7/8	2.2	1-7/16	3-3/4	1-1/2	2-3/4	7/16	15/32	15/32	2	2-1/8
	15/16	2.2									
	1	2.2									
206	25mm	1.0	36.5	95.3	38.1	69.9	M10	11.9	11.9	50.8	54.0
	1-1/8	3.8	1-9/16	4-1/4	1-5/8	3-1/4	7/16	17/32	31/64	2-7/32	2-5/32
	1-3/16	3.7									
	1-1/4	3.7									
207	30mm	1.7	39.7	108.0	41.3	82.6	M10	13.5	12.3	56.4	54.8
	1-1/4	4.4	1-3/4	4-5/8	1-13/16	3-5/8	1/2	9/16	9/16	2-11/16	2-13/32
	1-3/8	4.4									
	1-7/16	4.3									
208	35mm	2.0	44.5	117.5	46.0	92.1	M12	14.3	14.3	68.3	61.1
	1-1/2	5.8	2	5-1/8	2-5/64	4	1/2	35/64	21/32	2-47/64	2-19/32
	40mm	2.6	50.8	130.2	52.8	101.6	M12	13.9	16.7	69.5	65.9

FEATURES/BENEFITS PAGE B5-2	NOMENCLATURE PAGE B5-4	SELECTION/DIMENSIONS PAGE B5-8	RELATED PRODUCTS PAGE B5-67
--------------------------------	---------------------------	-----------------------------------	--------------------------------

# SELECTION/DIMENSIONS



## D-LOK Ball Bearings DL NORMAL DUTY 4-BOLT FLANGE BEARINGS



Series	Shaft Size	Standard		No Lube/Sealed for Life (-NL)	
		Part No.	Description	Part No.	Description
209	1-5/8	<b>128786</b>	F4B-DL-110L	@	F4B-DL-110L-NL
	1-11/16	<b>128787</b>	F4B-DL-111	<b>056970</b>	F4B-DL-111-NL
	1-3/4	<b>128788</b>	F4B-DL-112	@	F4B-DL-112-NL
	45mm	<b>126624</b>	<i>F4B-DL-45M</i>	@	<i>F4B-DL-45M-NL</i>
210	1-15/16	<b>128789</b>	F4B-DL-115	<b>056968</b>	F4B-DL-115-NL
	2	<b>128790</b>	F4B-DL-200	@	F4B-DL-200-NL
	50mm	<b>126625</b>	<i>F4B-DL-50M</i>	@	<i>F4B-DL-50M-NL</i>
211	2	<b>128850</b>	F4B-DLM-200	@	F4B-DLM-200-NL
	2-3/16	<b>128792</b>	F4B-DL-203	@	F4B-DL-203-NL
	55mm	<b>126626</b>	<i>F4B-DL-55M</i>	@	<i>F4B-DL-55M-NL</i>
212	2-1/4	<b>128852</b>	F4B-DLM-204	@	F4B-DLM-204-NL
	2-7/16	<b>128794</b>	F4B-DL-207	@	F4B-DL-207-NL
	60mm	<b>126627</b>	<i>F4B-DL-60M</i>	@	<i>F4B-DL-60M-NL</i>
214	2-1/2	<b>128854</b>	F4B-DLM-208	@	F4B-DLM-208-NL
	2-11/16	<b>128795</b>	F4B-DL-211	@	F4B-DL-211-NL
	70mm	<b>126628</b>	<i>F4B-DL-70M</i>	@	<i>F4B-DL-70M-NL</i>
215	2-15/16	<b>062152</b>	F4B-DL-215	@	F4B-DL-215-NL

@ Assembled to order

FEATURES/BENEFITS  
PAGE B5-2

NOMENCLATURE  
PAGE B5-4

SELECTION/DIMENSIONS  
PAGE B5-8

RELATED PRODUCTS  
PAGE B5-67



# SELECTION/DIMENSIONS



## D-LOK Ball Bearings DL NORMAL DUTY 4-BOLT FLANGE BEARINGS

D-LOK

Type E Family

Specialty Tapered

S-2000

UNISPHERE II

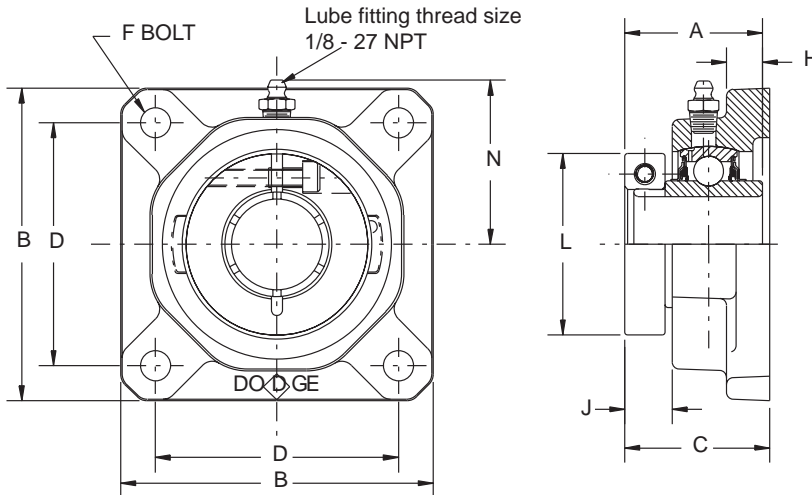
Series	Shaft Size	Weight lbs kg	A	B	C	D	F Bolt Dia.	H	J	L	N
209	1-5/8	6.0	2	5-3/8	2-7/64	4-1/8	9/16	9/16	21/32	2-63/64	2-45/64
	1-11/16	6.0									
	1-3/4	5.9									
	45mm	2.7									
210	1-15/16	7.0	2-3/32	5-5/8	2-7/32	4-3/8	9/16	35/64	11/16	3-15/64	2-51/64
	2	6.9									
	50mm	3.1									
211	2	11.0	2-1/4	6-3/8	2-3/8	5-1/8	5/8	19/32	11/16	3-11/16	3-9/64
	2-3/16	11.0									
	55mm	5.0									
212	2-1/4	13.3	2-5/8	6-7/8	2-3/4	5-5/8	5/8	19/32	7/8	4-7/64	3-15/64
	2-7/16	13.0									
	60mm	5.9									
214	2-1/2	14.6	2-13/16	7-3/8	3-1/16	5-7/8	5/8	11/16	57/64	4-3/8	3-9/16
	2-11/16	14.6									
	70mm	6.6									
215	2-15/16	18.8	2-21/64	7-3/4	2-57/64	6	3/4	1	41/64	4-11/16	3-7/8

FEATURES/BENEFITS PAGE B5-2	NOMENCLATURE PAGE B5-4	SELECTION/DIMENSIONS PAGE B5-8	RELATED PRODUCTS PAGE B5-67
--------------------------------	---------------------------	-----------------------------------	--------------------------------

# SELECTION/DIMENSIONS



## D-LOK Ball Bearings DLM MEDIUM DUTY 4-BOLT FLANGE BEARINGS



Series	Shaft Size	Part No.	Description
206	1	<b>128843</b>	F4B-DLM-100
207	1-3/16	<b>128844</b>	F4B-DLM-103
	1-1/4	<b>128782</b>	F4B-DL-104
208	1-7/16	<b>128845</b>	F4B-DLM-107
	35mm	<b>126642</b>	F4B-DLM-35M
209	1-1/2	<b>128846</b>	F4B-DLM-108
	1-5/8	<b>128786</b>	F4B-DL-110L
210	1-11/16	<b>128847</b>	F4B-DLM-111
	1-3/4	<b>128848</b>	F4B-DLM-112
211	1-15/16	<b>128849</b>	F4B-DLM-115
	2	<b>128850</b>	F4B-DLM-200
212	2-3/16	<b>128851</b>	F4B-DLM-203
	2-1/4	<b>128852</b>	F4B-DLM-204
214	2-7/16	<b>128853</b>	F4B-DLM-207
	2-1/2	<b>128854</b>	F4B-DLM-208
	65mm	<b>126643</b>	F4B-DLM-65M
215	2-11/16	<b>062263</b>	F4B-DLM-211
216	2-15/16	<b>058395</b>	F4B-DLM-215
218	3-7/16	@	F4B-DLM-307

@ Assembled to order

FEATURES/BENEFITS  
PAGE B5-2

NOMENCLATURE  
PAGE B5-4

SELECTION/DIMENSIONS  
PAGE B5-8

RELATED PRODUCTS  
PAGE B5-67

# SELECTION/DIMENSIONS



## D-LOK Ball Bearings DLM MEDIUM DUTY 4-BOLT FLANGE BEARINGS

D-LOK

Type E Family

Specialty Tapered

S-2000

UNISPHERE II

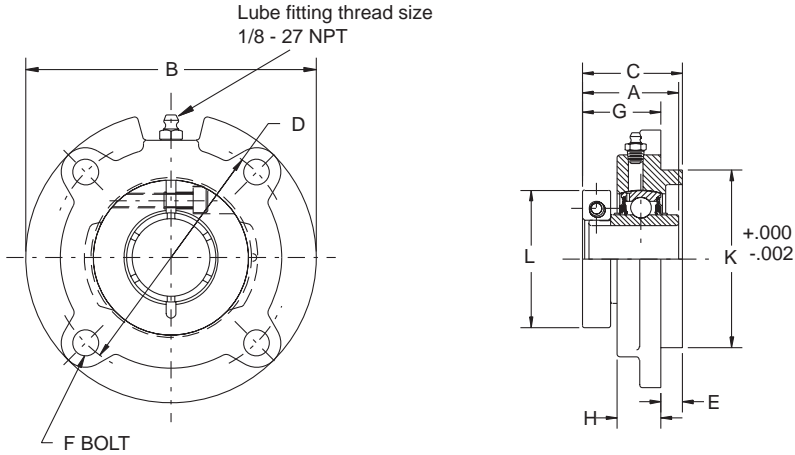
Series	Shaft Size	Weight lbs kg	A	B	C	D	F Bolt Dia.	H	J	L	N
206	1	3.8	1-9/16	4-1/4	1-5/8	3-1/4	7/16	17/32	31/64	2-7/32	2-5/32
207	1-3/16 1-1/4	4.4 3.7	1-3/4	4-5/8	1-13/16	3-5/8	1/2	9/16	9/16	2-11/16	2-13/32
208	1-7/16 35mm	5.9 2.2	2 50.8	5-1/8 130.2	2-5/64 52.8	4 101.6	1/2 M12	35/64 13.9	21/32 16.7	2-47/64 69.5	2-19/32 65.9
209	1-1/2 1-5/8	6.4 6.0	2	5-3/8	2-7/64	4-1/8	9/16	9/16	21/32	2-63/64	2-45/64
210	1-11/16 1-3/4	7.4 7.3	2-3/32	5-5/8	2-7/32	4-3/8	9/16	35/64	11/16	3-15/64	2-51/64
211	1-15/16 2	11.1 11.0	2-1/4	6-3/8	2-3/8	5-1/8	5/8	19/32	11/16	3-11/16	3-9/64
212	2-3/16 2-1/4	13.3 13.3	2-5/8	6-7/8	2-3/4	5-5/8	5/8	19/32	7/8	4-7/64	3-15/64
214	2-7/16 2-1/2 65mm	14.8 14.6 6.6	2-13/16 71.4	7-3/8 187.3	3-1/16 77.8	5-7/8 149.2	5/8 M16	11/16 17.5	57/64 22.6	4-3/8 111.1	3-9/16 90.5
215	2-11/16	20.3	2-21/64	7-3/4	2-57/64	6	3/4	1	41/64	4-11/16	3-7/8
216	2-15/16	20.6	2-31/64	7-3/4	3-3/32	6	3/4	7/8	19/32	5	4-9/32
218	3-7/16	36.1	2-21/32	8-7/16	3-11/32	6-3/4	3/4	1	9/16	5-1/2	4-5/8

FEATURES/BENEFITS PAGE B5-2	NOMENCLATURE PAGE B5-4	SELECTION/DIMENSIONS PAGE B5-8	RELATED PRODUCTS PAGE B5-67
--------------------------------	---------------------------	-----------------------------------	--------------------------------

# SELECTION/DIMENSIONS



## D-LOK Ball Bearings DL NORMAL DUTY PILOTED FLANGE BEARINGS



Series	Shaft Size	Standard	
		Part No.	Description
206	1-1/8	<b>128808</b>	FC-DL-102
	1-3/16	<b>128809</b>	FC-DL-103
	1-1/4	<b>049610</b>	FC-DL-104S
	30mm	<b>126653</b>	FC-DL-30M
207	1-1/4	<b>128810</b>	FC-DL-104
	1-3/8	<b>128811</b>	FC-DL-106
	1-7/16	<b>128812</b>	FC-DL-107
	35mm	<b>126654</b>	FC-DL-35M
208	1-1/2	<b>128813</b>	FC-DL-108
	40mm	<b>126655</b>	FC-DL-40M
209	1-5/8	<b>128814</b>	FC-DL-110L
	1-11/16	<b>128815</b>	FC-DL-111
	1-3/4	<b>128816</b>	FC-DL-112
	45mm	<b>126656</b>	FC-DL-45M
210	1-15/16	<b>128817</b>	FC-DL-115
	2	<b>128818</b>	FC-DL-200
	50mm	<b>126657</b>	FC-DL-50M
	2	<b>128862</b>	FC-DLM-200
211	2-3/16	<b>128820</b>	FC-DL-203
	55mm	<b>126658</b>	FC-DL-55M
212	2-1/4	<b>128864</b>	FC-DLM-204
	2-7/16	<b>128822</b>	FC-DL-207
	60mm	<b>126659</b>	FC-DL-60M
214	2-1/2	<b>128866</b>	FC-DLM-208
	2-11/16	<b>049838</b>	FC-DL-211
	70mm	<b>126661</b>	FC-DL-70M

FEATURES/BENEFITS  
PAGE B5-2

NOMENCLATURE  
PAGE B5-4

SELECTION/DIMENSIONS  
PAGE B5-8

RELATED PRODUCTS  
PAGE B5-67

# SELECTION/DIMENSIONS



## D-LOK Ball Bearings DL NORMAL DUTY PILOTED FLANGE BEARINGS

Series	Shaft Size	Weight lbs kg	A	B	C	D	E	F Bolt Dia.	G	H	K*	L
206	1-1/8	3.0	1-9/16	4-3/8	1-17/32	3-5/8	1/4	3/8	1-9/32	13/16	3	2-7/32
	1-3/16	3.0										
	1-1/4	3.0										
	30mm	1.4	39.7	111.1	38.9	92.1	6.4	M10	32.5	20.6	76.2	56.4
207	1-1/4	4.1	1-3/4	5	1-51/64	4-1/8	3/8	3/8	1-27/64	27/32	3-3/8	2-11/16
	1-3/8	4.0										
	1-7/16	4.0										
	35mm	1.6	44.5	127.0	45.6	104.8	9.5	M10	36.1	21.4	85.7	68.3
208	1-1/2	4.9	2	5-1/4	2-3/64	4-3/8	7/16	7/16	1-39/64	57/64	3-5/8	2-47/64
	40mm	2.1	50.8	133.4	52.0	111.1	11.1	M12	40.9	22.6	92.1	69.5
209	1-5/8	6.2	2	6-1/8	2	5-1/8	15/32	1/2	1-9/16	59/64	4-1/4	2-63/64
	1-11/16	6.1										
	1-3/4	6.1										
	45mm	2.5	50.8	155.6	50.8	130.2	11.9	M12	39.7	23.4	108.0	75.8
210	1-15/16	6.2	2-3/32	6-1/8	2-9/64	5-1/8	15/32	1/2	1-43/64	59/64	4-1/4	3-15/64
	2	6.2										
	50mm	2.6	53.2	155.6	54.4	130.2	11.9	M12	42.5	23.4	108.0	82.1
211	2	8.0	2-1/4	6-3/8	2-3/8	5-3/8	5/8	1/2	1-3/4	1	4-1/2	3-11/16
	2-3/16	8.0										
	55mm	3.4	57.2	161.9	60.3	136.5	15.9	M12	44.5	25.4	114.3	93.7
212	2-1/4	11.6	2-5/8	7-1/8	2-3/4	6	7/8	1/2	1-7/8	1	5	4-7/64
	2-7/16	11.6										
	60mm	4.9	66.7	181.0	69.9	152.4	22.2	M12	47.6	25.4	127.0	104.4
214	2-1/2	13.8	2-13/16	7-5/8	3-5/64	6-1/2	1-1/8	1/2	1-61/64	1-1/16	5-1/2	4-3/8
	2-11/16	13.6										
	70mm	5.8	71.4	193.7	78.2	165.1	28.6	M12	49.6	27.0	139.7	111.1

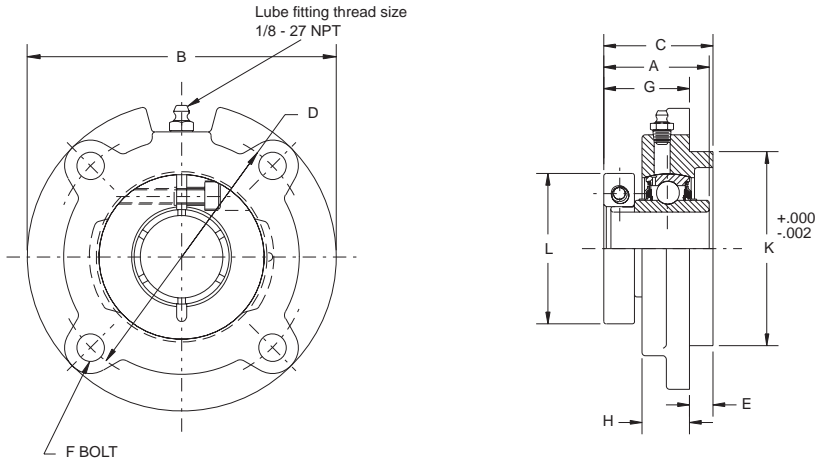
\* +0.000" -0.002"

FEATURES/BENEFITS PAGE B5-2	NOMENCLATURE PAGE B5-4	SELECTION/DIMENSIONS PAGE B5-8	RELATED PRODUCTS PAGE B5-67
--------------------------------	---------------------------	-----------------------------------	--------------------------------

# SELECTION/DIMENSIONS



## D-LOK Ball Bearings DLM MEDIUM DUTY PILOTED FLANGE BEARINGS



Series	Shaft Size	Standard	
		Part No.	Description
206	1	<b>128855</b>	FC-DLM-100
207	1-3/16	<b>128856</b>	FC-DLM-103
	1-1/4	<b>128810</b>	FC-DL-104
208	1-7/16	<b>128857</b>	FC-DLM-107
	1-1/2	<b>128813</b>	FC-DL-108
	35mm	<b>053784</b>	FC-DLM-35M
209	1-1/2	<b>128858</b>	FC-DLM-108L
	1-5/8	<b>128814</b>	FC-DL-110L
210	1-11/16	<b>128859</b>	FC-DLM-111
	1-3/4	<b>128860</b>	FC-DLM-112
211	1-15/16	<b>128861</b>	FC-DLM-115
	2	<b>128862</b>	FC-DLM-200
212	2-3/16	<b>128863</b>	FC-DLM-203
	2-1/4	<b>128864</b>	FC-DLM-204
214	2-7/16	<b>128865</b>	FC-DLM-207
	2-1/2	<b>128866</b>	FC-DLM-208
	65mm	<b>126660</b>	FC-DLM-65M
216	2-15/16	<b>057475</b>	FC-DLM-215
218	3-7/16	<b>062373</b>	FC-DLM-307

@ Assembled to order

FEATURES/BENEFITS  
PAGE B5-2

NOMENCLATURE  
PAGE B5-4

SELECTION/DIMENSIONS  
PAGE B5-8

RELATED PRODUCTS  
PAGE B5-67

# SELECTION/DIMENSIONS



## D-LOK Ball Bearings DLM MEDIUM DUTY PILOTED FLANGE BEARINGS

D-LOK

Type E Family

Specialty Tapered

S-2000

UNISPHERE II

Series	Shaft Size	Weight lbs kg	A	B	C	D	E	F Bolt Dia.	G	H	K*	L
206	1	3.1	1-9/16	4-3/8	1-17/32	3-5/8	1/4	3/8	1-9/32	13/16	3	2-7/32
207	1-3/16 1-1/4	4.1 4.1	1-3/4	5	1-51/64	4-1/8	3/8	3/8	1-27/64	27/32	3-3/8	2-11/16
208	1-7/16 1-1/2 35mm	5.1 4.9 2.6	2 50.8	5-1/4 133.4	2-3/64 52.0	4-3/8 111.1	7/16 11.1	7/16 M12	1-39/64 40.9	57/64 22.6	3-5/8 92.1	2-47/64 69.5
209	1-1/2 1-5/8	6.1 6.2	2	6-1/8	2	5-1/8	15/32	1/2	1-9/16	59/64	4-1/4	2-63/64
210	1-11/16 1-3/4	6.2 6.2	2-3/32	6-1/8	2-9/64	5-1/8	15/32	1/2	1-43/64	59/64	4-1/4	3-15/64
211	1-15/16 2	8.0 8.0	2-1/4	6-3/8	2-3/8	5-3/8	5/8	1/2	1-3/4	1	4-1/2	3-11/16
212	2-3/16 2-1/4	11.6 11.6	2-5/8	7-1/8	2-3/4	6	7/8	1/2	1-7/8	1	5	4-7/64
214	2-7/16 2-1/2 65mm	13.9 13.8 5.9	2-13/16 71.4	7-5/8 193.7	3-5/64 78.2	6-1/2 165.1	1-1/8 28.6	1/2 M12	1-61/64 49.6	1-1/16 27.0	5-1/2 139.7	4-3/8 111.1
216	2-15/16	18.8	2-37/64	8-3/4	3-11/64	7-1/2	1-1/4	5/8	1-59/64	1-3/16	6-3/8	5
218	3-7/16	36.8	2-23/32	10-1/4	3-15/32	8-5/8	1-3/8	3/4	2-11/32	1-5/8	7-3/8	5-1/2

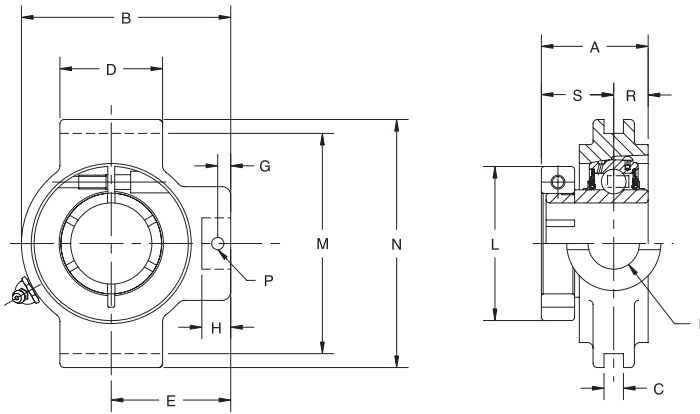
\*+0.000" -0.002"

FEATURES/BENEFITS PAGE B5-2	NOMENCLATURE PAGE B5-4	SELECTION/DIMENSIONS PAGE B5-8	RELATED PRODUCTS PAGE B5-67
--------------------------------	---------------------------	-----------------------------------	--------------------------------

# SELECTION/DIMENSIONS



## D-LOK Ball Bearings DL NORMAL DUTY NARROW SLOT TAKE-UP BEARINGS



Series	Shaft Size	Standard	
		Part No.	Description
204	3/4	<b>052626</b>	NSTU-DL-012
	20mm	@	NSTU-DL-20M
205	7/8	@	NSTU-DL-014
	15/16	@	NSTU-DL-015
	1	<b>058994</b>	NSTU-DL-100
	25mm	@	NSTU-DL-25M
206	1-1/8	@	NSTU-DL-102
	1-3/16	<b>049467</b>	NSTU-DL-103
	1-1/4	@	NSTU-DL-104S
	30mm	@	NSTU-DL-30M
207	1-1/4	@	NSTU-DL-104
	1-3/8	<b>068756</b>	NSTU-DL-106
	1-7/16	<b>053493</b>	NSTU-DL-107
	35mm	@	NSTU-DL-35M
208	1-1/2	@	NSTU-DL-108
	40mm	@	NSTU-DL-40M
209	1-5/8	@	NSTU-DL-110L
	1-11/16	<b>057543</b>	NSTU-DL-111
	1-3/4	<b>057658</b>	NSTU-DL-112
	45mm	@	NSTU-DL-45M
210	1-15/16	<b>059880</b>	NSTU-DL-115
	2	<b>067903</b>	NSTU-DL-200
	50mm	@	NSTU-DL-50M
211	2	@	NSTU-DLM-200
	2-3/16	<b>062281</b>	NSTU-DL-203
	55mm	@	NSTU-DL-55M
212	2-1/4	@	NSTU-DLM-204
	2-7/16	<b>064430</b>	NSTU-DL-207
	60mm	<b>068321</b>	NSTU-DL-60M

@ Assembled to order.

FEATURES/BENEFITS  
PAGE B5-2

NOMENCLATURE  
PAGE B5-4

SELECTION/DIMENSIONS  
PAGE B5-8

RELATED PRODUCTS  
PAGE B5-67



# SELECTION/DIMENSIONS



## D-LOK Ball Bearings DL NORMAL DUTY NARROW SLOT TAKE-UP BEARINGS

Series	Shaft Size	Weight lbs kg	Take-Up Frame Size	A	B	C*	D	E	F Screw Dia.	G	H	J	L	M#	N	P Pin Dia.	R	S
204	3/4 20mm	1.6 0.8	NS210	1-9/32 32.5	3-1/2 88.9	1/4 6.4	1-1/2 38.1	2-3/16 55.6	3/4 19.1	7/16 11.1	7/8 22.2	1-3/8 34.9	1-45/64 43.3	2-5/8 66.7	3-1/8 79.4	5/16 7.9	1/2 12.7	25/32 19.8
	7/8 15/16 1 25mm	1.7 1.6 1.5 0.7		1-7/16 3-9/16	1/4 6.4	1-1/2 38.1	2-3/16 55.6	3/4 19.1	7/16 11.1	7/8 22.2	1-3/8 34.9	2 50.8	2-5/8 66.7	3-1/8 79.4	5/16 7.9	9/16 14.3	7/8 22.2	
205	1-1/8 1-3/16 1-1/4 30mm	2.8 2.7 2.6 1.2	NS308	1-9/16 39.7	4-5/16 109.5	1/4 6.4	2-1/2 63.5	2-11/16 68.3	3/4 19.1	1/2 12.7	15/16 23.8	1-3/8 34.9	2-7/32 56.4	3-1/2 88.9	4-1/8 104.8	5/16 7.9	5/8 15.9	15/16 23.8
	1-1/4 1-3/8 1-7/16 35mm	2.8 2.6 2.5 1.2		1-3/4 4-1/2	1/4 6.4	2-1/2 63.5	2-11/16 68.3	3/4 19.1	1/2 12.7	15/16 23.8	1-3/8 34.9	2-11/16 68.3	3-1/2 88.9	4-1/8 104.8	5/16 7.9	11/16 17.5	1-1/16 27.0	
	1-1/2 40mm	4.7 2.1		2 50.8	5-3/8 136.5	5/16 7.9	3 76.2	3-1/4 82.6	7/8 22.2	21/32 16.7	1-5/8 29.4	1-5/8 41.3	2-47/64 69.5	4 101.6	4-3/4 120.7	3/8 9.5	3/4 19.1	1-1/4 31.8
206	1-1/8 1-3/16 1-1/4 30mm	2.8 2.7 2.6 1.2	NS308	1-9/16 39.7	4-5/16 109.5	1/4 6.4	2-1/2 63.5	2-11/16 68.3	3/4 19.1	1/2 12.7	15/16 23.8	1-3/8 34.9	2-7/32 56.4	3-1/2 88.9	4-1/8 104.8	5/16 7.9	5/8 15.9	15/16 23.8
	1-1/4 1-3/8 1-7/16 35mm	2.8 2.6 2.5 1.2		1-3/4 4-1/2	1/4 6.4	2-1/2 63.5	2-11/16 68.3	3/4 19.1	1/2 12.7	15/16 23.8	1-3/8 34.9	2-11/16 68.3	3-1/2 88.9	4-1/8 104.8	5/16 7.9	11/16 17.5	1-1/16 27.0	
207	1-1/2 40mm	4.7 2.1	NS400	2 50.8	5-3/8 136.5	5/16 7.9	3 76.2	3-1/4 82.6	7/8 22.2	21/32 16.7	1-5/8 29.4	1-5/8 41.3	2-47/64 69.5	4 101.6	4-3/4 120.7	3/8 9.5	3/4 19.1	1-1/4 31.8
	1-5/8 1-11/16 1-3/4 45mm	4.9 4.8 4.7 2.1		2 50.8	5-7/16 138.1	5/16 7.9	3 76.2	3-1/4 82.6	7/8 22.2	23/32 18.3	1-7/32 31.0	1-5/8 41.3	2-63/64 75.8	4 101.6	4-3/4 120.7	3/8 9.5	3/4 19.1	1-1/4 31.8
208	1-1/2 40mm	4.7 2.1	NS400	2 50.8	5-3/8 136.5	5/16 7.9	3 76.2	3-1/4 82.6	7/8 22.2	21/32 16.7	1-5/8 29.4	1-5/8 41.3	2-47/64 69.5	4 101.6	4-3/4 120.7	3/8 9.5	3/4 19.1	1-1/4 31.8
	1-5/8 1-11/16 1-3/4 45mm	4.9 4.8 4.7 2.1		2 50.8	5-7/16 138.1	5/16 7.9	3 76.2	3-1/4 82.6	7/8 22.2	23/32 18.3	1-7/32 31.0	1-5/8 41.3	2-63/64 75.8	4 101.6	4-3/4 120.7	3/8 9.5	3/4 19.1	1-1/4 31.8
209	1-15/16 2 50mm	4.9 4.8 2.2	NS400	2-3/32 53.2	5-1/2 139.7	5/16 7.9	3 76.2	3-1/4 82.6	7/8 22.2	19/32 15.1	1-3/32 27.8	1-5/8 41.3	3-15/64 82.1	4 101.6	4-3/4 120.7	3/8 9.5	3/4 19.1	1-11/32 34.1
	2 55mm	6.8 6.6 3.0		2-1/4 57.2	6-1/8 155.6	5/16 7.9	3-1/2 88.9	3-5/8 92.1	1 25.4	11/16 17.5	1-9/32 32.5	1-3/4 44.5	3-11/16 93.7	4-7/16 112.7	5-3/8 136.5	7/16 11.1	7/8 22.2	1-3/8 34.9
210	2-1/4 2-7/16 60mm	8.7 8.4 4.9	NS415	2-5/8 66.7	6-11/16 169.9	5/16 7.9	3-3/4 95.3	3-7/8 98.4	1 25.4	11/16 17.5	1-9/32 32.5	1-5/8 41.3	4-7/64 104.4	4-15/16 125.4	5-3/4 146.1	7/16 11.1	1 25.4	1-5/8 41.3
	2 55mm	6.8 6.6 3.0		2-1/4 57.2	6-1/8 155.6	5/16 7.9	3-1/2 88.9	3-5/8 92.1	1 25.4	11/16 17.5	1-9/32 32.5	1-3/4 44.5	3-11/16 93.7	4-7/16 112.7	5-3/8 136.5	7/16 11.1	7/8 22.2	1-3/8 34.9

\* + or -.015", + or -.38mm"

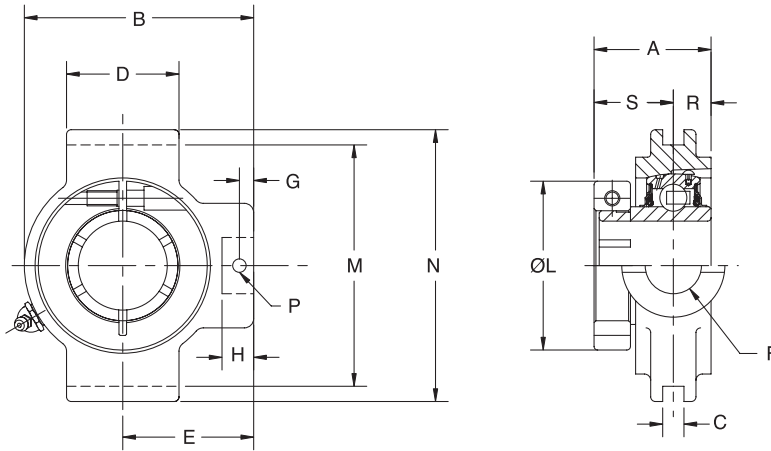
# +.010, -.020" +.25mm, -.50mm"

FEATURES/BENEFITS PAGE B5-2	NOMENCLATURE PAGE B5-4	SELECTION/DIMENSIONS PAGE B5-8	RELATED PRODUCTS PAGE B5-67
--------------------------------	---------------------------	-----------------------------------	--------------------------------

# SELECTION/DIMENSIONS



## D-LOK Ball Bearings DLM MEDIUM DUTY NARROW SLOT TAKE-UP BEARINGS



Series	Shaft Size	Part No.	Description
206	1	<b>067726</b>	NSTU-DLM-100
207	1-3/16	@	NSTU-DLM-103
	1-1/4	@	NSTU-DL-104
208	1-7/16	<b>056779</b>	NSTU-DLM-107
	35mm	@	NSTU-DLM-35M
209	1-1/2	@	NSTU-DLM-108
	1-5/8	@	NSTU-DL-110L
210	1-11/16	<b>058081</b>	NSTU-DLM-111
	1-3/4	@	NSTU-DLM-112
211	1-15/16	@	NSTU-DLM-115
	2	@	NSTU-DLM-200
212	2-3/16	@	NSTU-DLM-203
	2-1/4	@	NSTU-DLM-204

@ Assembled to order

FEATURES/BENEFITS  
PAGE B5-2

NOMENCLATURE  
PAGE B5-4

SELECTION/DIMENSIONS  
PAGE B5-8

RELATED PRODUCTS  
PAGE B5-67

# SELECTION/DIMENSIONS



## D-LOK Ball Bearings DLM MEDIUM DUTY NARROW SLOT TAKE-UP BEARINGS

D-LOK

Type E Family

Specialty Tapered

S-2000

UNISPHERE II

Series	Shaft Size	Weight lbs kg	Take-Up Frame Size	A	B	C*	D	E	F Screw Dia.	G	H	J	L	M#	N	P Pin Dia.	R	S
206	1	2.6	NS308	1-9/16	4-5/16	1/4	2-1/2	2-11/16	3/4	1/2	15/16	1-3/8	2-7/32	3-1/2	4-1/8	5/16	5/8	15/16
207	1-3/16 1-1/4	2.8 2.8	NS308	1-3/4	4-1/2	1/4	2-1/2	2-11/16	3/4	1/2	15/16	1-3/8	2-11/16	3-1/2	4-1/8	5/16	11/16	1-1/16
208	1-7/16 35mm	4.7 2.1	NS400	2 50.8	5-3/8 136.5	5/16 7.9	3 76.2	3-1/4 82.6	7/8 22.2	11/16 17.5	1-5/32 29.4	1-5/8 41.3	2-47/64 69.5	4 101.6	4-3/4 120.7	3/8 9.5	3/4 19.1	1-1/4 31.8
209	1-1/2 1-5/8	4.9 4.8	NS400	2	5-7/16	5/16	3	3-1/4	7/8	21/32	1-5/32	1-5/8	2-63/64	4	4-3/4	3/8	3/4	1-1/4
210	1-11/16 1-3/4	4.9 4.8	NS400	2-3/32	5-1/2	5/16	3	3-1/4	7/8	23/32	1-7/32	1-5/8	3-15/64	4	4-3/4	3/8	3/4	1-11/32
211	1-15/16 2	6.8 6.8	NS407	2-1/4	6-1/8	5/16	3-1/2	3-5/8	1	19/32	1-3/32	1-3/4	3-11/16	4-7/16	5-3/8	7/16	7/8	1-3/8
212	2-3/16 2-1/4	8.7 8.7	NS415	2-5/8	6-11/16	5/16	3-3/4	3-7/8	1	11/16	1-9/32	1-5/8	4-7/64	4-15/16	5-3/4	7/16	1	1-5/8

\* + or -.015", + or -.38mm"

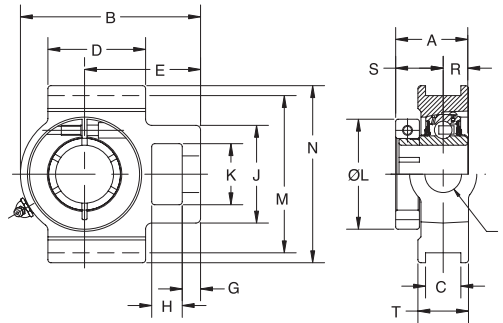
# +.010, -.020" +.25mm, -.50mm"

FEATURES/BENEFITS PAGE B5-2	NOMENCLATURE PAGE B5-4	SELECTION/DIMENSIONS PAGE B5-8	RELATED PRODUCTS PAGE B5-67
--------------------------------	---------------------------	-----------------------------------	--------------------------------

# SELECTION/DIMENSIONS



## D-LOK Ball Bearings DL NORMAL DUTY WIDE SLOT TAKE-UP BEARINGS



Series	Shaft Size	Standard	
		Part No.	Description
204	3/4	@	WSTU-DL-012
	20mm	@	WSTU-DL-20M
205	7/8	@	WSTU-DL-014
	15/16	<b>064698</b>	WSTU-DL-015
	1	<b>056605</b>	WSTU-DL-100
	25mm	@	WSTU-DL-25M
206	1-1/8	@	WSTU-DL-102
	1-3/16	<b>057770</b>	WSTU-DL-103
	1-1/4	@	WSTU-DL-104S
	30mm	<b>049496</b>	WSTU-DL-30M
207	1-1/4	<b>056638</b>	WSTU-DL-104
	1-3/8	<b>062184</b>	WSTU-DL-106
	1-7/16	<b>053517</b>	WSTU-DL-107
	35mm	@	WSTU-DL-35M
208	1-1/2	<b>052546</b>	WSTU-DL-108
	40mm	@	WSTU-DL-40M
209	1-5/8	<b>059593</b>	WSTU-DL-110L
	1-11/16	@	WSTU-DL-111
	1-3/4	<b>068389</b>	WSTU-DL-112
	45mm	@	WSTU-DL-45M
210	1-15/16	<b>052722</b>	WSTU-DL-115
	2	<b>059704</b>	WSTU-DL-200
	50mm	@	WSTU-DL-50M
211	2	<b>058647</b>	WSTU-DLM-200
	2-3/16	<b>062306</b>	WSTU-DL-203
	55mm	@	WSTU-DL-55M
212	2-1/4	@	WSTU-DLM-204
	2-7/16	<b>049747</b>	WSTU-DL-207
	60mm	@	WSTU-DL-60M
214	2-1/2	<b>064300</b>	WSTU-DLM-208
	2-11/16	@	WSTU-DL-211
	70mm	@	WSTU-DL-70M
215	2-15/16	<b>064890</b>	WSTU-DL-215

@ Assembled to order

FEATURES/BENEFITS  
PAGE B5-2

NOMENCLATURE  
PAGE B5-4

SELECTION/DIMENSIONS  
PAGE B5-8

RELATED PRODUCTS  
PAGE B5-67

# SELECTION/DIMENSIONS



## D-LOK Ball Bearings DL NORMAL DUTY WIDE SLOT TAKE-UP BEARINGS

Series	Shaft Size	Weight lbs kg	Take-Up Frame Size	A	B	C*	D	E	F Screw Dia.	G	H	J	K	L	M#	N	R	S	T	
204	3/4 20mm	1.9 0.9	WS300	1-9/32 32.5	3-11/16 93.7	17/32 13.5	2 50.8	2-3/8 60.3	5/8 15.9	3/8 9.5	5/8 15.9	2 50.8	1-1/4 31.8	1-45/64 43.3	3 76.2	3-5/8 92.1	1/2 12.7	25/32 19.8	1-3/8 34.9	
	7/8 15/16 1 25mm	2.2 2.1 2.0 1.0		WS300	1-7/16 36.5	3-3/16 96.8	17/32 13.5	2 50.8	2-7/16 61.9	5/8 15.9	3/8 9.5	5/8 15.9	2 50.8	1-5/16 33.3	2 50.8	3 76.2	3-5/8 92.1	9/16 14.3	7/8 22.2	1-3/8 34.9
206	1-1/8 1-3/16 1-1/4 30mm	2.7 2.6 2.5 1.3	WS308		1-9/16 39.7	4-3/8 111.1	17/32 13.5	2-1/4 57.2	2-3/4 69.9	3/4 19.1	3/8 9.5	5/8 15.9	2-3/16 55.6	1-7/16 36.5	2-7/32 56.4	3-1/2 88.9	4-1/8 104.8	5/8 15.9	15/16 23.8	1-5/8 41.3
	1-1/4 1-3/8 1-7/16 35mm	3.7 3.6 3.5 1.6		WS308	1-3/4 44.5	4-7/8 123.8	17/32 13.5	2-1/2 63.5	3-1/16 77.8	3/4 19.1	1/2 12.7	5/8 15.9	2-1/2 63.5	1-7/16 36.5	2-11/16 68.3	3-1/2 88.9	4-1/8 4.0	11/16 17.5	1-1/16 27.0	1-5/8 41.3
	1-1/2 40mm	6.1 2.8			WS400	2 50.8	5-11/16 144.5	11/16 17.5	3-1/4 82.6	3-1/2 88.9	1 25.4	5/8 15.9	3/4 19.1	3-1/4 82.6	1-15/16 49.2	2-47/64 69.5	4 101.6	0 114.3	3/4 19.1	1-1/4 31.8
1-5/8 1-11/16 1-3/4 45mm	6.1 6.0 5.9 2.7	WS400	2 50.8			5-5/8 142.9	11/16 17.5	3-1/4 82.6	3-7/16 87.3	1 25.4	5/8 15.9	3/4 19.1	3-1/4 82.6	1-15/16 49.2	2-63/64 75.8	4 101.6	4-3/4 120.7	3/4 19.1	1-1/4 31.8	1-15/16 49.2
1-15/16 2 50mm	6.4 6.3 2.9		WS400	2-3/32 53.2		5-13/16 147.6	11/16 17.5	3-3/8 85.7	3-9/16 90.5	1 25.4	5/8 15.9	3/4 19.1	3-1/4 82.6	1-15/16 49.2	3-15/64 82.1	4 101.6	4-3/4 120.7	3/4 19.1	1-11/32 34.1	1-15/16 49.2
2 2-3/16 55mm	10.1 10.0 4.5			WS502	2-1/4 57.2	6-11/16 169.9	1-1/16 27.0	3-3/4 95.3	4-3/16 106.4	1-1/4 31.8	3/4 19.1	1 25.4	4 101.6	2-1/2 63.5	3-11/16 93.7	5-1/8 130.2	5-7/8 149.2	7/8 22.2	1-3/8 34.9	2-1/2 63.5
2-1/4 2-7/16 60mm	11.2 10.8 4.9	WS502			2-5/8 66.7	7-1/2 190.5	1-1/16 27.0	4 101.6	4-11/16 119.1	1-1/4 31.8	3/4 19.1	1-1/4 31.8	4 101.6	2-1/2 63.5	4-7/64 104.4	5-1/8 130.2	5-7/8 149.2	1 25.4	1-5/8 41.3	2-1/2 63.5
2-1/2 2-11/16 70mm	18.0 17.8 8.2		WS515		2-13/16 71.4	8-9/16 217.5	1-1/16 27.0	4-3/4 120.7	5-3/8 136.5	1-1/2 38.1	13/16 20.6	1-1/4 31.8	4-3/8 111.1	2-3/4 69.9	4-3/8 111.1	5-15/16 150.8	6-9/16 166.7	1-1/16 27.0	1-3/4 44.5	2-3/4 69.9
2-15/16	18.9			WS515	2-21/64	9-1/8	1-1/16	4-3/4	5-1/2	1-1/2	13/16	1-1/4	4-3/8	2-3/4	4-11/16	5-15/16	6-11/16	53/64	1-1/2	2-3/4

\*+ or -.015", + or -.38mm"

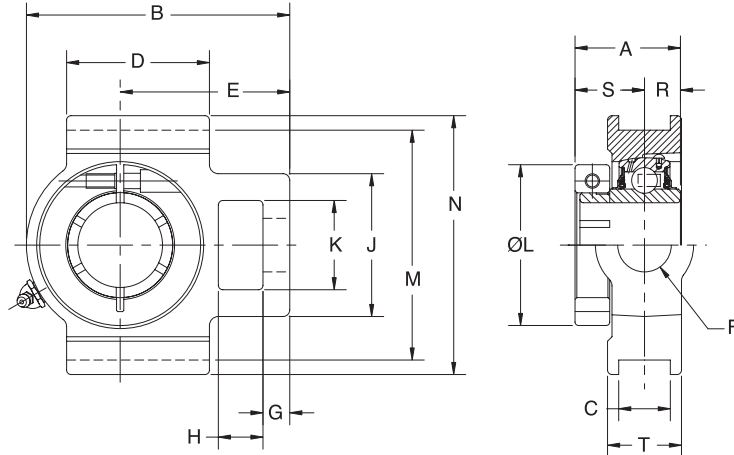
\*+ or -.015", + or -.38mm"

FEATURES/BENEFITS PAGE B5-2	NOMENCLATURE PAGE B5-4	SELECTION/DIMENSIONS PAGE B5-8	RELATED PRODUCTS PAGE B5-67
--------------------------------	---------------------------	-----------------------------------	--------------------------------

# SELECTION/DIMENSIONS



## D-LOK Ball Bearings DLM MEDIUM DUTY WIDE SLOT TAKE-UP BEARINGS



Series	Shaft Size	Standard	
		Part No.	Description
206	1	<b>049696</b>	WSTU-DLM-100
207	1-3/16	<b>068232</b>	WSTU-DLM-103
	1-1/4	<b>056638</b>	WSTU-DL-104
208	1-7/16	<b>062702</b>	WSTU-DLM-107
	35mm	<b>054390</b>	WSTU-DLM-35M
209	1-1/2	@	WSTU-DLM-108
	1-5/8	@	WSTU-DL-110L
210	1-11/16	<b>054411</b>	WSTU-DLM-111
	1-3/4	@	WSTU-DLM-112
211	1-15/16	<b>057266</b>	WSTU-DLM-115
	2	<b>058347</b>	WSTU-DLM-200
212	2-3/16	@	WSTU-DLM-203
	2-1/4	<b>062881</b>	WSTU-DLM-204
214	2-7/16	<b>062285</b>	WSTU-DLM-207
	2-1/2	<b>064300</b>	WSTU-DLM-208
	65mm	@	WSTU-DLM-65M
215	2-11/16	@	WSTU-DLM-211
216	2-15/16	<b>059758</b>	WSTU-DLM-215

@ Assembled to order

FEATURES/BENEFITS  
PAGE B5-2

NOMENCLATURE  
PAGE B5-4

SELECTION/DIMENSIONS  
PAGE B5-8

RELATED PRODUCTS  
PAGE B5-67

# SELECTION/DIMENSIONS



## D-LOK Ball Bearings DLM MEDIUM DUTY WIDE SLOT TAKE-UP BEARINGS

D-LOK

Type E Family

Speciality Tapered

S-2000

UNISPHERE II

Series	Shaft Size	Weight lbs kg	Take- Up Frame Size	A	B	C*	D	E	F Screw Dia.	G	H	J	K	L	M#	N	R	S	T
206	1	4.1	WS308	1-9/16	4-3/8	17/32	2-1/4	2-3/4	3/4	3/8	5/8	2-3/16	1-7/16	2-7/32	3-1/2	4-1/8	5/8	15/16	1-5/8
207	1-3/16 1-1/4	5.1 3.7	WS308	1-3/4	4-7/8	17/32	2-1/2	3-1/16	3/4	1/2	5/8	2-1/2	1-7/16	2-11/16	3-1/2	4-1/8	11/16	1-1/16	1-5/8
208	1-7/16 35mm	7.3 3.5	WS400	2 50.8	5-11/16 144.5	11/16 17.5	3-1/4 82.6	3-1/2 88.9	1 25.4	5/8 15.9	3/4 19.1	3-1/4 82.6	1-15/16 49.2	2-47/64 69.5	4 101.6	0 114.3	3/4 19.1	1-1/4 31.8	1-15/16 49.2
209	1-1/2 1-5/8	7.2 6.1	WS400	2	5-5/8	11/16	3-1/4	3-7/16	1	5/8	3/4	3-1/4	1-15/16	2-63/64	4	4-3/4	3/4	1-1/4	1-15/16
210	1-11/16 1-3/4	7.7 7.6	WS400	2-3/32	5-13/16	11/16	3-3/8	3-9/16	1	5/8	3/4	3-1/4	1-15/16	3-15/64	4	4-3/4	3/4	1-11/32	1-15/16
211	1-15/16 2	11.2 11.3	WS502	2-1/4	6-11/16	1-1/16	3-3/4	4-3/16	1-1/4	3/4	1	4	2-1/2	3-11/16	5-1/8	5-7/8	7/8	1-3/8	2-1/2
212	2-3/16 2-1/4	12.6 12.4	WS502	2-5/8	7-1/2	1-1/16	4	4-11/16	1-1/4	3/4	1-1/4	4	2-1/2	4-7/64	5-1/8	5-7/8	1	1-5/8	2-1/2
214	2-7/16 2-1/2 65mm	19.4 19.2 9.3	WS515	2-13/16 71.4	8-9/16 217.5	1-1/16 27.0	4-3/4 120.7	5-3/8 136.5	1-1/2 38.1	13/16 20.6	1-1/4 31.8	4-3/8 111.1	2-3/4 69.9	4-3/8 111.1	5-15/16 150.8	6-9/16 166.7	1-1/16 27.0	1-3/4 44.5	2-3/4 69.9
215	2-11/16	20.2	WS515	2-21/64	9-1/8	1-1/16	4-3/4	5-1/2	1-1/2	13/16	1-1/4	4-3/8	2-3/4	4-11/16	5-15/16	6-11/16	53/64	1-1/2	2-3/4
216	2-15/16	22.9	WS608	2-21/32	9-1/8	1-1/16	4-3/4	5-1/2	1-1/2	13/16	1-1/4	4-3/8	2-3/4	5-1/2	6-1/2	7-1/4	59/64	1-47/64	2-3/4

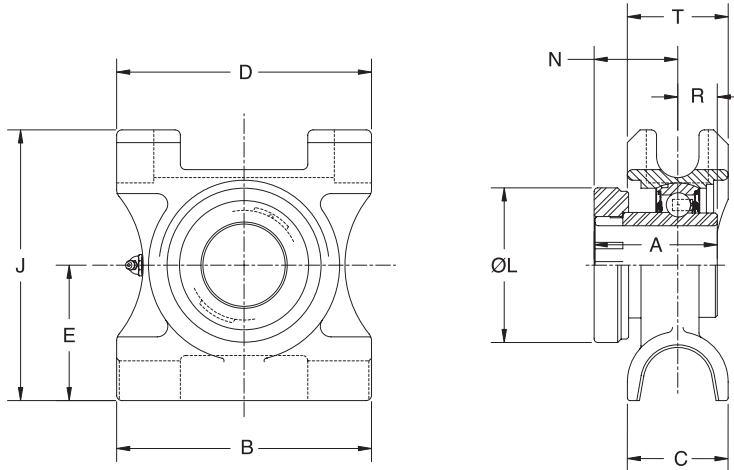
\*+ or -.015", + or -.38mm

FEATURES/BENEFITS PAGE B5-2	NOMENCLATURE PAGE B5-4	SELECTION/DIMENSIONS PAGE B5-8	RELATED PRODUCTS PAGE B5-67
--------------------------------	---------------------------	-----------------------------------	--------------------------------

# SELECTION/DIMENSIONS



## D-LOK Ball Bearings DL NORMAL DUTY TOP ANGLE TAKE-UP BEARINGS



Series	Shaft Size	Part No.	Description
210	1-15/16	@	TP-DL-115
	2	@	TP-DL-200
211	2	@	TP-DLM-200
	2-3/16	@	TP-DL-203
212	2-1/4	@	TP-DLM-204
	2-7/16	@	TP-DL-207
214	2-1/2	@	TP-DLM-208
	2-11/16	@	TP-DL-211
215	2-15/16	<b>049415</b>	TP-DL-215

@ Assembled to order

D-LOK

Type E Family

Specialty Tapered

S-2000

UNISPHERE II

FEATURES/BENEFITS  
PAGE B5-2

NOMENCLATURE  
PAGE B5-4

SELECTION/DIMENSIONS  
PAGE B5-8

RELATED PRODUCTS  
PAGE B5-67



# SELECTION/DIMENSIONS



## D-LOK Ball Bearings DL NORMAL DUTY TOP ANGLE TAKE-UP BEARINGS

D-LOK

Type E Family

Specialty Tapered

S-2000

UNISPHERE II

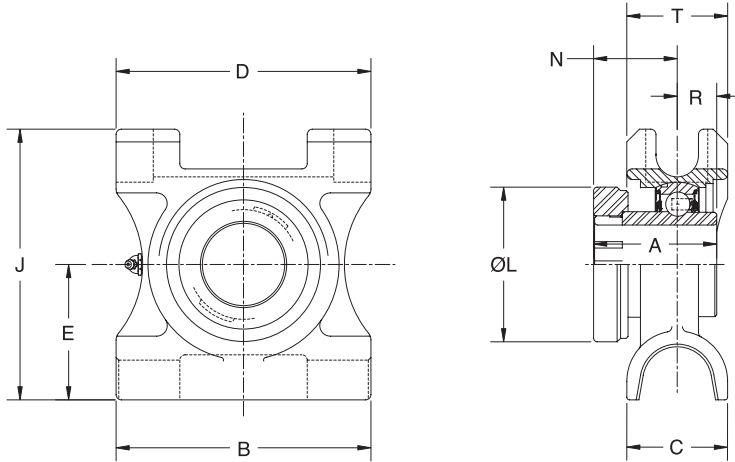
Series	Shaft Size	Weight lbs	Take-Up Frame Size	A	B	C	D	E	J	L	N	R	T
210	1-15/16 2	11.4 11.2	TP10	2-3/32	6-1/2	2-3/8	6	3-1/4	6-3/8	3-15/64	1-11/32	3/4	2-3/8
211	2 2-3/16	13.7 13.2	TP20	2-1/4	7	2-1/2	6-3/4	3-3/8	6-7/8	3-11/16	1-3/8	7/8	2-3/8
212	2-1/4 2-7/16	17.2 17.1	TP30	2-5/8	7-1/2	2-3/4	7	3-1/2	7-7/16	4-7/64	1-5/8	1	2-3/4
214	2-1/2 2-11/16	22.5 22.3	TP40	2-13/16	8-1/2	2-1/2	8	4	8-5/16	4-3/8	1-3/4	1-1/16	2-3/4
215	2-15/16	22.4	TP40	2-21/64	8-1/2	2-1/2	8	4	8-5/16	4-11/16	1-1/2	53/64	2-3/4

FEATURES/BENEFITS PAGE B5-2	NOMENCLATURE PAGE B5-4	SELECTION/DIMENSIONS PAGE B5-8	RELATED PRODUCTS PAGE B5-67
--------------------------------	---------------------------	-----------------------------------	--------------------------------

# SELECTION/DIMENSIONS



## D-LOK Ball Bearings DLM MEDIUM DUTY TOP ANGLE TAKE-UP BEARINGS



Series	Shaft Size	Part No.	Description
210	1-11/16	@	TP-DLM-111
	1-3/4	@	TP-DLM-112
211	1-15/16	@	TP-DLM-115
	2	@	TP-DLM-200
212	2-3/16	@	TP-DLM-203
	2-1/4	<b>062880</b>	TP-DLM-204
214	2-7/16	<b>049813</b>	TP-DLM-207
	2-1/2	@	TB-DLM-208
215	2-11/16	@	TP-DLM-211
216	2-15/16	<b>049855</b>	TP-DLM-215
218	3-7/16	@	TP-DLM-307

@ Assembled to order

D-LOK

Type E Family

Specialty Tapered

S-2000

UNISPHERE II

FEATURES/BENEFITS  
PAGE B5-2

NOMENCLATURE  
PAGE B5-4

SELECTION/DIMENSIONS  
PAGE B5-8

RELATED PRODUCTS  
PAGE B5-67

# SELECTION/DIMENSIONS



## D-LOK Ball Bearings DLM MEDIUM DUTY TOP ANGLE TAKE-UP BEARINGS

D-LOK

Type E Family

Specialty Tapered

S-2000

UNISPHERE II

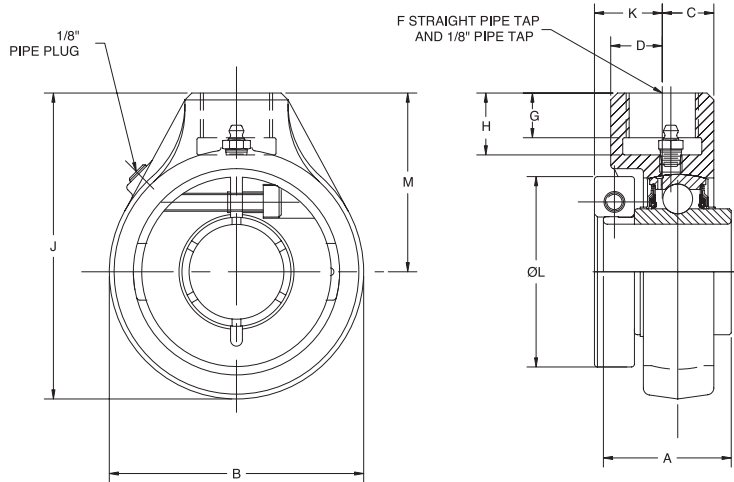
Series	Shaft Size	Weight lbs	Take-Up Frame Size	A	B	C	D	E	J	L	N	R	T
210	1-11/16 1-3/4	11.6 11.2	TP10	2-3/32	6-1/2	2-3/8	6	3-1/4	6-3/8	3-15/64	1-11/32	3/4	2-3/8
211	1-15/16 2	14.0 13.7	TP20	2-1/4	7	2-1/2	6-3/4	3-3/8	6-7/8	3-11/16	1-3/8	7/8	2-3/8
212	2-3/16 2-1/4	17.4 17.2	TP30	2-5/8	7-1/2	2-3/4	7	3-1/2	7-7/16	4-7/64	1-5/8	1	2-3/4
214	2-7/16 2-1/2	22.9 22.5	TP40	2-13/16	8-1/2	2-1/2	8	4	8-5/16	4-3/8	1-3/4	1-1/16	2-3/4
215	2-11/16	26.2	TP40	2-21/64	8-1/2	2-1/2	8	4	8-5/16	4-11/16	1-1/2	53/64	2-3/4
216	2-15/16	31.0	TP50	2-31/64	9-1/2	2-3/4	7	4-1/2	9-5/8	5	1-41/64	27/32	3-1/8
218	3-7/16	41.4	TP50	2-21/32	11	3-1/8	10-1/2	5-1/2	11	5-1/2	1-47/64	59/64	3-1/8

FEATURES/BENEFITS PAGE B5-2	NOMENCLATURE PAGE B5-4	SELECTION/DIMENSIONS PAGE B5-8	RELATED PRODUCTS PAGE B5-67
--------------------------------	---------------------------	-----------------------------------	--------------------------------

# SELECTION/DIMENSIONS



## D-LOK Ball Bearings DL NORMAL DUTY SCREW CONVEYOR HANGER BEARINGS



Series	Shaft Size	Part No.	Description
206	1	@	SCHB-DL-100
	1-1/8	@	SCHB-DL-102
207	1-3/16	@	SCHB-DL-103
	1-1/4	@	SCHB-DL-104
	1-3/8	@	SCHB-DL-106
208	1-7/16	@	SCHB-DL-107
	1-1/2	<b>068608</b>	SCHB-DL-108
210	1-11/16	@	SCHB-DL-111
	1-3/4	@	SCHB-DL-112
	1-15/16	<b>062443</b>	SCHB-DL-115
	2	@	SCHB-DL-200
212	2-3/16	@	SCHB-DL-203
	2-1/4	@	SCHB-DL-204
	2-7/16	<b>049781</b>	SCHB-DL-207
216	2-15/16	@	SCHB-DL-215
218	3-7/16	@	SCHB-DL-307

@ Assembled to order

D-LOK

Type E Family

Specialty Tapered

S-2000

UNISPHERE II

FEATURES/BENEFITS PAGE B5-2	NOMENCLATURE PAGE B5-4	SELECTION/DIMENSIONS PAGE B5-8	RELATED PRODUCTS PAGE B5-67
--------------------------------	---------------------------	-----------------------------------	--------------------------------

# SELECTION/DIMENSIONS



## D-LOK Ball Bearings DL NORMAL DUTY SCREW CONVEYOR HANGER BEARINGS

D-LOK

Type E Family

Specialty Tapered

S-2000

UNISPHERE II

Series	Shaft Size	Weight lbs.	A	B	C	D	F* (NPSM)	G	H	J	K	L	M
206	1	3.0	1-9/16	3-1/8	53/64	47/64	3/4 - 14	3/4	15/16	4-1/16	57/64	2-7/32	2-1/2
	1-1/8	2.7											
207	1-3/16	3.4	1-3/4	3-7/8	53/64	53/64	3/4 - 14	5/8	15/16	4-11/16	1	2-11/16	2-3/4
	1-1/4	3.3											
	1-3/8	3.1											
208	1-7/16	4.0	2	4	53/64	53/64	3/4 - 14	5/8	15/16	4-7/8	1-5/64	2-47/64	2-7/8
	1-1/2	3.6											
210	1-11/16	5.4	2-3/32	4-5/8	15/16	7/8	1 - 11-1/2	13/16	1-1/8	5-9/16	1-1/16	3-15/64	3-1/4
	1-3/4	5.3											
	1-15/16	5.2											
	2	5.0											
212	2-3/16	9.6	2-5/8	5-1/2	1-5/32	1-5/32	1-1/4 - 11-1/2	1-1/8	1-7/16	6-3/4	1-9/32	4-7/64	4
	2-1/4	9.4											
	2-7/16	9.2											
216	2-15/16	16.9	2-31/64	7	1-23/64	1-13/32	1-1/2 - 11-1/2	1-1/4	1-11/16	8-3/8	1-5/16	5	4-7/8
218	3-7/16	23.0	2-21/32	8-5/16	1-3/4	1-3/4	2 - 11-1/2	1-3/4	2-3/16	10-5/32	1-17/32	5-1/2	6

Note: Sizes 1, 1-3/16, 1-7/16, 1-11/16, 1-3/4, 2-3/16, 2-1/4, 2-15/16, 3, 3-7/16, & 3-1/2 use DLM inserts

\* Use straight thread for the pipe. Bearing can be secured with a heavy locknut.

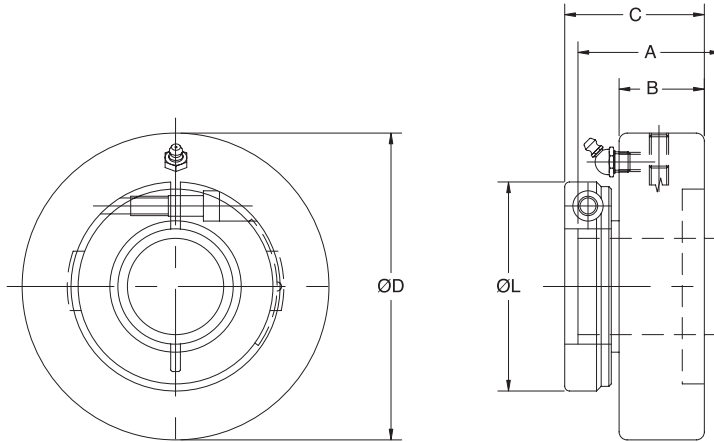
Pipe plug and lube fitting are factory installed and may be reversed from position shown.

FEATURES/BENEFITS PAGE B5-2	NOMENCLATURE PAGE B5-4	SELECTION/DIMENSIONS PAGE B5-8	RELATED PRODUCTS PAGE B5-67
--------------------------------	---------------------------	-----------------------------------	--------------------------------

# SELECTION/DIMENSIONS



## D-LOK Ball Bearings DL NORMAL DUTY CYLINDRICAL UNITS



Series	Shaft Size	Part No.	Description
205	7/8	@	CYL-DL-014*
	15/16	@	CYL-DL-015*
	1	<b>049430</b>	CYL-DL-100*
206	1-1/8	<b>059754</b>	CYL-DL-102
	1-3/16	@	CYL-DL-103
	1-1/4	@	CYL-DL-104S
	30mm	<b>056468</b>	<i>CYL-DL-30M</i>
207	1-1/4	@	CYL-DL-104
	1-3/8	@	CYL-DL-106
	1-7/16	<b>053045</b>	CYL-DL-107

\* 45 degree lube fitting is used in place of standard

D-LOK

Type E Family

Specialty Tapered

S-2000

UNISPHERE II

FEATURES/BENEFITS  
PAGE B5-2

NOMENCLATURE  
PAGE B5-4

SELECTION/DIMENSIONS  
PAGE B5-8

RELATED PRODUCTS  
PAGE B5-67

# SELECTION/DIMENSIONS



## D-LOK Ball Bearings DL NORMAL DUTY CYLINDRICAL UNITS

D-LOK

Type E Family

Specialty Tapered

S-2000

UNISPHERE II

Series	Shaft Size	Weight lbs.	A	B	C	D*	L
205	7/8	1.4	1-7/16	27/32	1-11/64	3-1/8	2
	15/16	1.3					
	1	1.2					
206	1-1/8	2.1	1-9/16	15/16	1-11/32	3-1/2	2-7/32
	1-3/16	2.0					
	1-1/4	1.9					
	30mm	6.5					
207	1-1/4	2.8	1-3/4	1-1/16	1-9/16	3-7/8	2-11/16
	1-3/8	2.6					
	1-7/16	2.5					

\* +.000 -.002

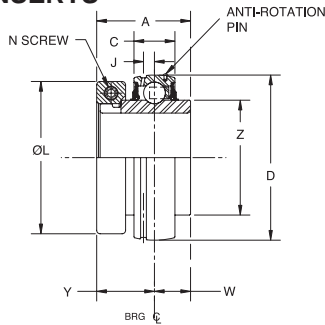
To prevent the housing from rotating in the machine frame, tap a hole on the joint between the housing O.D. and the machine frame bore and lock with a setscrew

FEATURES/BENEFITS PAGE B5-2	NOMENCLATURE PAGE B5-4	SELECTION/DIMENSIONS PAGE B5-8	RELATED PRODUCTS PAGE B5-67
--------------------------------	---------------------------	-----------------------------------	--------------------------------

# SELECTION/DIMENSIONS



## D-LOK Ball Bearings DL NORMAL DUTY BEARING INSERTS



Series	Shaft Size	Standard Insert		Corrosion Resistant Insert	
		Part No.	Description	Part No.	Description
204	3/4 20mm	<b>128646</b>	INS-DL-012	<b>126685</b>	INS-DL-012-CR
		<b>126629</b>	<i>INS-DL-20M</i>	<b>126693</b>	<i>INS-DL-20M-CR</i>
205	7/8 15/16 1 25mm	<b>128684</b>	INS-DL-014	@	INS-DL-014-CR*
		<b>128647</b>	INS-DL-015	@	INS-DL-015-CR*
		<b>128648</b>	INS-DL-100	<b>126686</b>	INS-DL-100-CR
		<b>126630</b>	<i>INS-DL-25M</i>	<b>126694</b>	<i>INS-DL-25M-CR</i>
206	1-1/8 1-3/16 1-1/4 30mm	<b>128649</b>	INS-DL-102	<b>059869</b>	INS-DL-102-CR*
		<b>128650</b>	INS-DL-103	<b>126687</b>	INS-DL-103-CR
		<b>128651</b>	INS-DL-104S	<b>126688</b>	INS-DL-104S-CR
		<b>126631</b>	<i>INS-DL-30M</i>	<b>126695</b>	<i>INS-DL-30M-CR</i>
207	1-1/4 1-3/8 1-7/16 35mm	<b>128652</b>	INS-DL-104	<b>126689</b>	INS-DL-104-CR
		<b>128653</b>	INS-DL-106	@	INS-DL-106-CR*
		<b>128654</b>	INS-DL-107	<b>052093</b>	INS-DL-107-CR
		<b>126632</b>	<i>INS-DL-35M</i>	<b>126696</b>	<i>INS-DL-35M-CR</i>
208	1-1/2 40mm	<b>128655</b>	INS-DL-108	<b>126690</b>	INS-DL-108-CR
		<b>126633</b>	<i>INS-DL-40M</i>	<b>126697</b>	<i>INS-DL-40M-CR</i>
209	1-5/8 1-11/16 1-3/4 45mm	<b>128656</b>	INS-DL-110L	@	INS-DL-110L-CR*
		<b>128657</b>	INS-DL-111	<b>126691</b>	INS-DL-111-CR
		<b>128658</b>	INS-DL-112	@	INS-DL-112-CR*
		<b>126634</b>	<i>INS-DL-45M</i>	<b>126698</b>	<i>INS-DL-45M-CR</i>
210	1-15/16 2 50mm	<b>128659</b>	INS-DL-115	<b>126692</b>	INS-DL-115-CR
		<b>128660</b>	INS-DL-200	<b>053986</b>	INS-DL-200-CR*
		<b>126635</b>	<i>INS-DL-50M</i>	<b>126699</b>	<i>INS-DL-50M-CR</i>
211	2 2-3/16 55mm	<b>128661</b>	INS-DLM-200	@	INS-DLM-200-CR*
		<b>128663</b>	INS-DL-203	@	INS-DL-203-CR*
		<b>126636</b>	<i>INS-DL-55M</i>	@	<i>INS-DL-55M-CR*</i>
212	2-1/4 2-7/16 60mm	<b>128664</b>	INS-DLM-204	@	INS-DLM-204-CR*
		<b>128666</b>	INS-DL-207	@	INS-DL-207-CR*
		<b>126637</b>	<i>INS-DL-60M</i>	@	<i>INS-DL-60M-CR*</i>
214	2-1/2 2-11/16 70mm	<b>128677</b>	INS-DLM-208	@	INS-DLM-208-CR*
		<b>128667</b>	INS-DL-211	@	INS-DL-211-CR*
		<b>126638</b>	<i>INS-DL-70M</i>	@	<i>INS-DL-70M-CR*</i>
215	2-15/16	@	INS-DL-215	@	INS-DL-215-CR*

@ Assembled to order

\* 20 piece minimum order

FEATURES/BENEFITS PAGE B5-2	NOMENCLATURE PAGE B5-4	SELECTION/DIMENSIONS PAGE B5-8	RELATED PRODUCTS PAGE B5-67
--------------------------------	---------------------------	-----------------------------------	--------------------------------



# SELECTION/DIMENSIONS



## D-LOK Ball Bearings DL NORMAL DUTY BEARING INSERTS

Series	Shaft Size	Weight lbs. kg	A	C	D	J	L	N Screw (UNF)	W	Y	Z
204	3/4	0.6	1-9/32	0.5906	1.8504	0.152	1-45/64	No. 8	1/2	25/32	1-1/8
	20mm	0.3	32.5	15.0	47.0	3.9	43.3	M4	12.7	19.8	28.6
205	7/8	0.8	1-7/16	0.5906	2.0472	0.152	2	No. 10	9/16	7/8	1-21/64
	15/16	0.8									
	1	0.8									
206	25mm	0.4	36.5	15.0	52.0	3.9	50.8	M5	14.3	22.2	33.7
	1-1/8	1.2	1-9/16	0.7087	2.4409	0.190	2-7/32	No. 10	5/8	15/16	1-37/64
	1-3/16	1.2									
	1-1/4	1.1									
207	30mm	0.6	39.7	18.0	62.0	4.8	56.4	M5	15.9	23.8	40.1
	1-1/4	1.8	1-3/4	0.7480	2.8346	0.202	2-11/16	1/4	11/16	1-1/16	1-27/32
	1-3/8	1.8									
	1-7/16	1.7									
208	35mm	0.8	44.5	19.0	72.0	5.1	68.3	M6	17.5	27.0	46.8
	1-1/2	2.2	2	0.8661	3.1496	0.224	2-47/64	1/4	3/4	1-1/4	2-3/64
	40mm	1.0	50.8	22.0	80.0	5.7	69.5	M6	19.1	31.8	52.0
209	1-5/8	2.5	2	0.8661	3.3465	0.248	2-63/64	1/4	3/4	1-1/4	2-7/32
	1-11/16	2.5									
	1-3/4	2.5									
	45mm	1.2	50.8	22.2	85.8	6.4	75.8	M6	19.1	31.8	56.9
210	1-15/16	3.0	2-3/32	0.8661	3.5433	0.248	3-15/64	1/4	3/4	1-11/32	2-7/16
	2	3.0									
	50mm	1.4	53.2	22.0	90.0	6.3	82.1	M6	19.1	34.1	61.9
211	2	3.6	2-1/4	0.9449	3.9370	0.267	3-11/16	5/16	7/8	1-3/8	2-23/32
	2-3/16	3.4									
	55mm	1.6	57.2	24.0	100.0	6.8	93.7	M8	22.2	34.9	69.1
212	2-1/4	4.8	2-5/8	1.0240	4.3307	0.250	4-7/64	5/16	1	1-5/8	2-31/32
	2-7/16	4.8									
	60mm	2.2	66.7	26.0	110.0	6.4	104.4	M8	25.4	41.3	75.4
214	2-1/2	5.4	2-13/16	1.1020	4.9213	0.265	4-3/8	5/16	1-1/16	1-3/4	3-5/16
	2-11/16	5.0									
	70mm	2.5	71.4	28.0	125.0	6.7	111.1	M8	27.0	44.5	84.1
215	2-15/16	5.9	2-21/64	1.4200	5.1181	0.265	4-11/16	5/16	53/64	1-1/2	3-5/8

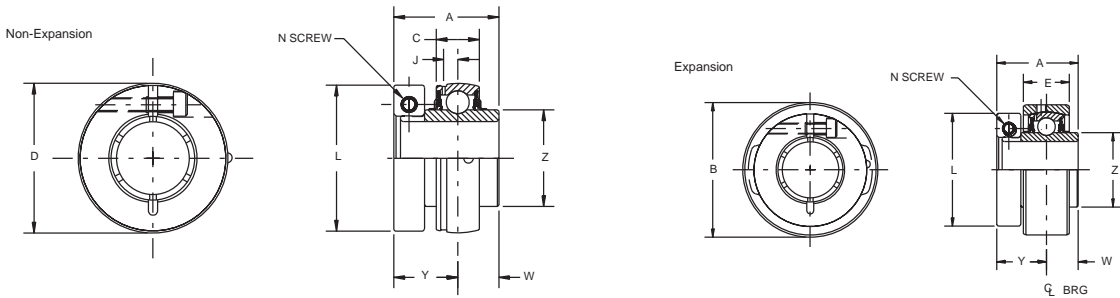
FEATURES/BENEFITS PAGE B5-2	NOMENCLATURE PAGE B5-4	SELECTION/DIMENSIONS PAGE B5-8	RELATED PRODUCTS PAGE B5-67
--------------------------------	---------------------------	-----------------------------------	--------------------------------

# SELECTION/DIMENSIONS



## D-LOK Ball Bearings

### DLH & DLH-E NON-EXPANSION & EXPANSION NORMAL DUTY BEARINGS INSERTS



Series	Shaft Size	Expansion Insert		Non-Expansion Insert	
		Part No.	Description	Part No.	Description
206	1	@	INS-DLMH-100-E	@	INS-DLMH-100
	1-1/8	@	INS-DLH-102-E	@	INS-DLH-102
	1-3/16	<b>126485</b>	INS-DLH-103-E	<b>126480</b>	INS-DLH-103
	1-1/4	@	INS-DLH-104S-E	@	INS-DLH-104S
207	1-3/16	@	INS-DLMH-103-E	@	INS-DLMH-103
	1-1/4	@	INS-DLH-104-E	@	INS-DLH-104
	1-3/8	@	INS-DLH-106-E	@	INS-DLH-106
	1-7/16	<b>126486</b>	INS-DLH-107-E	<b>126481</b>	INS-DLH-107
210	1-11/16	@	INS-DLMH-111-E	@	INS-DLMH-111
	1-3/4	@	INS-DLMH-112-E	@	INS-DLMH-112
	1-15/16	<b>126487</b>	INS-DLH-115-E	<b>126482</b>	INS-DLH-115
211	2	@	INS-DLH-200-E	@	INS-DLH-200
	1-15/16	@	INS-DLMH-115-E	@	INS-DLMH-115
	2	@	INS-DLMH-200-E	@	INS-DLMH-200
212	2-3/16	<b>126488</b>	INS-DLH-203-E	<b>126483</b>	INS-DLH-203
	2-1/4	@	INS-DLMH-203-E	@	INS-DLMH-203
	2-7/16	@	INS-DLMH-204-E	@	INS-DLMH-204
		<b>126489</b>	INS-DLH-207-E	<b>126484</b>	INS-DLH-207

@ Assembled to order

FEATURES/BENEFITS PAGE B5-2	NOMENCLATURE PAGE B5-4	SELECTION/DIMENSIONS PAGE B5-8	RELATED PRODUCTS PAGE B5-67
--------------------------------	---------------------------	-----------------------------------	--------------------------------

# SELECTION/DIMENSIONS



## D-LOK Ball Bearings

### DLH & DLH-E NON-EXPANSION & EXPANSION NORMAL DUTY BEARINGS INSERTS

D-LOK

Type E Family

Specialty Tapered

S-2000

UNISPHERE II

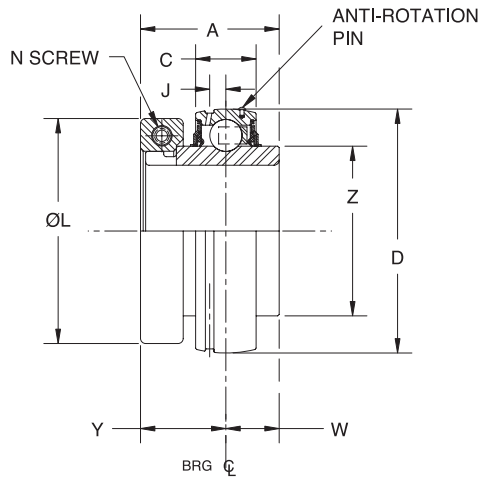
Series	Shaft Size	Weight Expansion lbs.	Weight Non-Exp. lbs.	A	B	C	D	E	J	L	N Screw (UNF)	W	Y	Z
206	1 1-1/8 1-3/16 1-1/4	1.9	1.2	1-9/16	2.875	0.7087	2.4409	15/16	0.190	2-7/32	No. 10	5/8	15/16	1-37/64
207	1-3/16 1-1/4 1-3/8 1-7/16	2.6	1.8	1-3/4	3.272	0.7480	2.8346	1	0.202	2-11/16	1/4	11/16	1-1/16	1-27/32
210	1-11/16 1-3/4 1-15/16 2	4.5	3.0	2-3/32	4.000	0.8661	3.5433	1-13/32	0.248	3-15/64	1/4	3/4	1-11/32	2-7/16
211	1-15/16 2 2-3/16	5.3	3.4	2-1/4	4.475	0.9449	3.9370	1-7/16	0.267	3-11/16	5/16	7/8	1-3/8	2-23/32
212	2-3/16 2-1/4 2-7/16	7.4	4.8	2-5/8	5.035	1.0240	4.3307	1-5/8	0.250	4-7/64	5/16	1	1-5/8	2-31/32

FEATURES/BENEFITS PAGE B5-2	NOMENCLATURE PAGE B5-4	SELECTION/DIMENSIONS PAGE B5-8	RELATED PRODUCTS PAGE B5-67
--------------------------------	---------------------------	-----------------------------------	--------------------------------

# SELECTION/DIMENSIONS



## D-LOK Ball Bearings DLM NORMAL DUTY BEARINGS INSERTS



Series	Shaft Size	Standard Insert	
		Part No.	Description
206	1	<b>128668</b>	INS-DLM-100
207	1-3/16	<b>128669</b>	INS-DLM-103
	1-1/4	<b>128652</b>	INS-DL-104
208	1-7/16	<b>128670</b>	INS-DLM-107
	1-1/2 *	<b>128665</b>	INS-DL-108
	35mm	<b>126644</b>	INS-DLM-35M
209	1-1/2	<b>128671</b>	INS-DLM-108
	1-5/8	<b>128656</b>	INS-DL-110L
210	1-11/16	<b>128672</b>	INS-DLM-111
	1-3/4	<b>128673</b>	INS-DLM-112
211	1-15/16	<b>128674</b>	INS-DLM-115
	2	<b>128661</b>	INS-DLM-200
212	2-3/16	<b>128675</b>	INS-DLM-203
	2-1/4	<b>128664</b>	INS-DLM-204
214	2-7/16	<b>128676</b>	INS-DLM-207
	2-1/2	<b>128677</b>	INS-DLM-208
	65mm	<b>126645</b>	INS-DLM-65M
215	2.6875	<b>065551</b>	INS-DLM-211
216	2-15/16	@	INS-DLM-215
218	3-7/16	<b>064535</b>	INS-DLM-307

@ Assembled to order

\* Piloted flange only

FEATURES/BENEFITS PAGE B5-2	NOMENCLATURE PAGE B5-4	SELECTION/DIMENSIONS PAGE B5-8	RELATED PRODUCTS PAGE B5-67
--------------------------------	---------------------------	-----------------------------------	--------------------------------

# SELECTION/DIMENSIONS



## D-LOK Ball Bearings DLM NORMAL DUTY BEARINGS INSERTS

D-LOK

Type E Family

Specialty Tapered

S-2000

UNISPHERE II

Series	Shaft Size	Weight lbs. kg	A	C	D	J	L	N Screw (UNF)	W	Y	Z
206	1	1.8	1-9/16	0.7087	2.4409	0.190	2-7/32	No. 10	5/8	15/16	1-37/64
207	1-3/16 1-1/4	2.2 1.7	1-3/4	0.7480	2.8346	0.202	2-11/16	1/4	11/16	1-1/16	1-27/32
208	1-7/16 1-1/2 35mm	2.5 2.2 1.0	2 <i>50.8</i>	0.8661 <i>22.0</i>	3.1496 <i>80.0</i>	0.224 <i>5.7</i>	2-47/64 <i>69.5</i>	1/4 <i>M6</i>	3/4 <i>19.1</i>	1-1/4 <i>31.8</i>	2-3/64 <i>52.0</i>
209	1-1/2 1-5/8	3.0 2.5	2	0.8661	3.3465	0.248	2-63/64	1/4	3/4	1-1/4	2-7/32
210	1-11/16 1-3/4	3.0 3.0	2-3/32	0.8661	3.5433	0.248	3-15/64	1/4	3/4	1-11/32	2-7/16
211	1-15/16 2	3.4 3.3	2-1/4	0.9449	3.9370	0.267	3-11/16	5/16	7/8	1-3/8	2-23/32
212	2-3/16 2-1/4	4.9 4.8	2-5/8	1.0240	4.3307	0.250	4-7/64	5/16	1	1-5/8	2-31/32
214	2-7/16 2-1/2 65mm	5.5 5.4 2.5	2-13/16 <i>71.4</i>	1.1020 <i>28.0</i>	4.9213 <i>125.0</i>	0.265 <i>6.7</i>	4-3/8 <i>111.1</i>	5/16 <i>M8</i>	1-1/16 <i>27.0</i>	1-3/4 <i>44.5</i>	3-5/16 <i>84.1</i>
215	2-11/16	5.9	2-21/64	1.4200	5.1181	0.265	4-11/16	5/16	53/64	1-1/2	3-5/8
216	2-15/16	6.9	2-31/64	1.1420	5.5118	0.285	5	3/8	27/32	1-41/64	3-53/64
218	3-7/16	8.8	2-21/32	1.3400	6.2992	0.300	5-1/2	3/8	59/64	1-47/64	4-23/64

FEATURES/BENEFITS PAGE B5-2	NOMENCLATURE PAGE B5-4	SELECTION/DIMENSIONS PAGE B5-8	RELATED PRODUCTS PAGE B5-67
--------------------------------	---------------------------	-----------------------------------	--------------------------------

# MODIFICATIONS/ ACCESSORIES



## D-LOK Ball Bearings

### LUBRICANTS

DODGE ball bearings are factory lubricated with a lithium complex based lubricant. For applications where extreme ambient temperatures or speeds are anticipated or environmental considerations require a different lubricant, DODGE has a variety of lubricants available. Special lubricant options usually require set-up charges and premiums.

### SEALS

The PROGUARD PLUS seal is a highly effective positive contact land riding seal with flingers pressed on to each side of the inner ring offering added protection from high pressure wash down or extreme contamination. For high speeds or where seal drag would be an impediment, a labyrinth seal is available.

### HIGH TEMPERATURE

DODGE high temperature bearings are designed to operate in temperatures from 225°F (108°C) to 400°F (205°C). The bearings have adjusted internal clearances, labyrinth seals, retainers, and lubricants to meet the temperature needs of the application. To insure proper replacement, the bearing is identified by a six digit part number etched on a stainless steel nameplate riveted to the housing. The part number identifies the specific feature of the bearing. High temperature bearings are factory assembled to order and are available at extra cost. Consult Dodge Engineering for application assistance at (864) 284-5700 or fax (864) 281-2317.

### AIR HANDLING

Industrial fans and blowers generally operate at high speeds with bearing requirements of long life and quiet operation. Dodge stocks DL and DLM air handling pillow blocks that are specifically designed to meet the requirements of the Air Handling Industry. Other sizes and housing configurations can be supplied on a made/ assembled to order basis. These bearings are 100% inspected for quiet operation and are recommended for fan and blower operations.

### COATINGS

For extra corrosion resistance, a variety of housings are available. Including stainless steel or polymer housed. These conform to U.S.D.A. and F.D.A. requirements. DL and DLM inserts can be supplied with a corrosion resistant finish to the inner and outer rings, stainless steel balls and set-screws, nickel plated flingers as well as F.D.A. lubricant.

### OTHER MODIFICATIONS

For applications requiring modifications not listed, we encourage you to contact our Customer Order Engineering Department at (864) 284-5700 or fax (864) 281-2317.

## DODGE Ball Bearing End Covers\*

- Fits all styles of DODGE cast iron housed ball bearings: Pillow Blocks, 2 and 4 Bolt Flanges, and Take-Up bearings
- Injected molded, impact resistant, OSHA safety yellow end covers meet requirements for exposed rotating shafts
- Stainless steel "C" Washer for gripping power
- No modification or machining of existing housings required
- Concentric knockout grooves on inside of end cover for thru-shaft
- DODGE six digit part number and description embossed inside
- Operating temperature to 250°F
- For non relubricable/sealed for life applications (-NL), part number 430020 hex head plug is available

FEATURES/BENEFITS  
PAGE B5-2

NOMENCLATURE  
PAGE B5-4

SELECTION  
PAGE B5-5

SELECTION/DIMENSIONS  
PAGE B5-8

# RELATED PRODUCTS

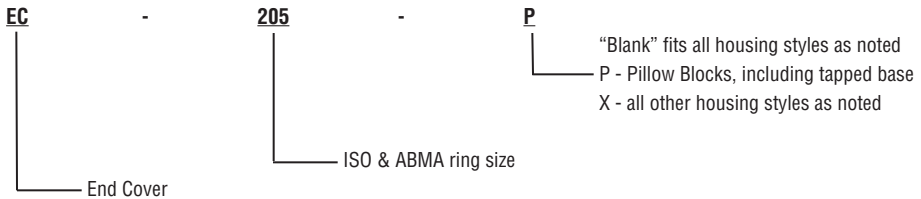


## DODGE Ball Bearing End Covers\*



- Fits all styles of DODGE cast iron housed ball bearings: Pillow Blocks, 2 and 4 Bolt Flanges, and Take-Up bearings
- Injected molded, impact resistant, OSHA safety yellow end covers meet requirements for exposed rotating shafts
- Stainless steel "C" Washer for gripping power
- No modification or machining of existing housings required
- Concentric knockout grooves on inside of end cover for thru-shaft
- DODGE six digit part number and description embossed inside
- Operating temperature to 250°F
- For non relubricable/sealed for life applications (-NL), part number 430020 hex head plug is available

### Nomenclature



Series	Pillow Blocks Std, U, B	Tapped Base PB	2 Bolt Flange	Flanged Bracket	4 Bolt Flange	Piloted Flange (FC)	Narrow Slot Take-Up	Wide Slot Take-Up
203	X		X		X			
204	X	X	X	X	X		X	X
205	X	X	X	X	X		X	X
206	X	X	X	X	X	@	X	X
207	X	X	X	X	X	@	X	X
208	X	X	X		X	@	X	X
209	X	X	X		X	@	X	X
210	X	X	X	X	X	@	X	X
211	X	X	X		X	NA	X	X
212	X		X		X	NA	X	X
214	X				X	NA		X
215	X				X			X
216	X				X	X		X
218	X				X	X		

\* = Will not fit LF, LFT, SCHB, HNGR & CLY

NA = Will not fit

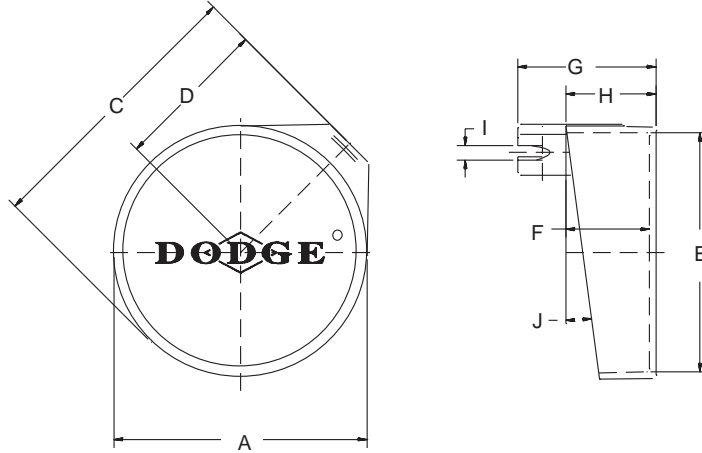
FEATURES/BENEFITS PAGE B5-2	NOMENCLATURE PAGE B5-4	SELECTION PAGE B5-5	SELECTION/DIMENSIONS PAGE B5-8
--------------------------------	---------------------------	------------------------	-----------------------------------

# RELATED PRODUCTS



## D-LOK Ball Bearings

### BALL BEARING END COVERS FOR PILLOW BLOCKS & TAPPED BASE UNITS



Series	Shaft Size*		Part Number	Description
	DL	DLM, DLH		
203	1/2 & 5/8 17mm	-----	<b>128200</b>	EC-203-P
204	1/2 - 3/4 20mm	-----	<b>128202</b>	EC-204-P
205	7/8 - 1 25mm	-----	<b>128204</b>	EC-205-P
206	1-1/16 - 1-1/4 30mm	----- 25mm	<b>128206</b>	EC-206-P
207	1-1/4 - 1-7/16 35mm	1-3/16 & 1-1/4 30mm	<b>128208</b>	EC-207-P
208	1-1/2 - 1-5/8 40mm	1-7/16 35mm	<b>128210</b>	EC-208-P
209	1-5/8 - 1-3/4 45mm	1-1/2 40mm	<b>128212</b>	EC-209-P
210	1-15/16 & 2 50mm	1-11/16 & 1-3/4 45mm	<b>128214</b>	EC-210-P
211	2 - 2-1/4 55mm	1-15/16 & 2 50mm	<b>128216</b>	EC-211-P
212	2-1/4 - 2-7/16 60mm	2-3/16 - 2-1/4 55mm	<b>128218</b>	EC-212-P

\* NOTE: DLH uses the next larger end cover. E.G. A P2B-DLH-103 would use a EC-207-P

D-LOK

Type E Family

Specialty Tapered

S-2000

UNISPHERE II

FEATURES/BENEFITS PAGE B5-2	NOMENCLATURE PAGE B5-4	SELECTION PAGE B5-5	SELECTION/DIMENSIONS PAGE B5-8
--------------------------------	---------------------------	------------------------	-----------------------------------



# RELATED PRODUCTS



## D-LOK Ball Bearings

### BALL BEARING END COVERS FOR PILLOW BLOCKS & TAPPED BASE UNITS

D-LOK

Type E Family

Speciality Tapered

S-2000

UNISPHERE II

Series	Shaft Size		Weight lbs gm	A	C	D	E	F	G	H	I	J
	DL	DLM, DLH										
203	1/2 & 5/8 17mm	-----	.02 9	1-25/32 45.2	2-7/64 53.6	1-3/32 27.7	1-41/64 41.7	49/64 19.6	1-29/64 37.1	29/32 22.9	1/4 6.4	9
204	1/2 - 3/4 20mm	-----	.03 14	2-3/64 52.0	2-37/64 65.3	1-19/64 33.0	1-55/64 47.2	1-1/64 25.7	1-49/64 45.0	1-5/32 29.5	5/16 7.9	11
205	7/8 - 1 25mm	-----	.05 23	2-3/8 60.2	2-13/16 71.4	1-3/16 35.0	2-5/32 54.9	1-1/16 26.9	1-7/8 47.8	1-7/32 31.0	11/32 8.6	9
206	1-1/16 - 1-1/4 30mm	----- 25mm	.07 34	2-47/64 69.3	3-21/64 84.3	1-45/64 43.2	2-1/2 63.5	1-15/64 31.5	2-5/32 54.9	1-13/32 35.6	23/64 8.9	9
207	1-1/4 - 1-7/16 35mm	1-3/16 & 1-1/4 30mm	.11 48	3-1/4 82.6	3-51/64 96.3	1-29/32 48.5	3-1/64 76.7	1-5/16 33.3	2-11/32 59.4	1-31/64 37.6	3/8 9.4	7 30
208	1-1/2 - 1-5/8 40mm	1-7/16 35mm	.13 61	3-3/8 85.9	4.0 101.6	2-1/16 52.3	3-7/64 79.0	1-19/64 33.0	2-13/32 61.0	1-1/2 38.1	27/64 10.7	6
209	1-5/8 - 1-3/4 45mm	1-1/2 40mm	.15 69	3-11/16 93.7	4-17/64 108.2	2-11/64 55.1	3-13/32 86.6	1-21/64 33.8	2-21/64 59.2	1-17/32 38.9	25/64 9.9	7
210	1-15/16 & 2 50mm	1-11/16 & 1-3/4 45mm	.17 78	3-7/8 98.6	4-1/2 114.3	2-19/32 59.2	3-37/64 90.9	1-23/64 34.3	2-1/2 63.5	1-9/16 39.6	31/64 12.5	9
211	2 - 2-1/4 55mm	1-15/16 & 2 50mm	.22 102	4-27/64 112.3	5-1/16 128.5	2-19/32 66.0	4-1/8 104.7	1-13/32 35.8	2-37/64 65.3	1-5/8 41.2	29/64 11.4	7
212	2-1/4 - 2-7/16 60mm	2-3/16 - 2-1/4 55mm	.26 118	4-59/64 125.0	5-29/64 138.7	2-3/4 69.9	4-39/64 117.1	1-17/32 38.9	2-11/16 68.3	1-3/4 44.5	13/32 10.4	8

For no re-lube (-NL) applications, part number **430020**, hex head plug is available

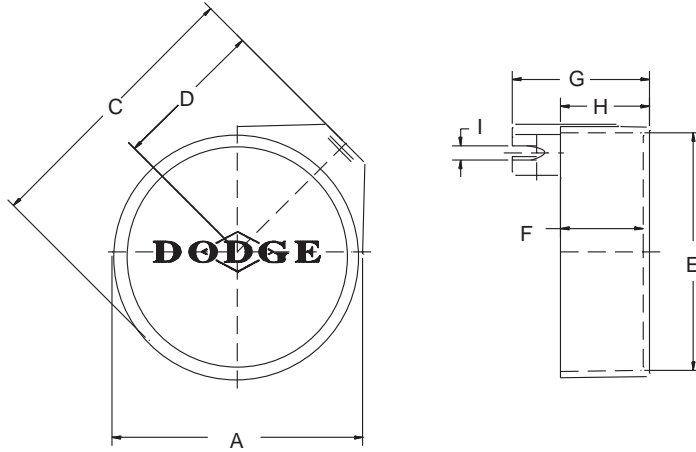
FEATURES/BENEFITS PAGE B5-2	NOMENCLATURE PAGE B5-4	SELECTION PAGE B5-5	SELECTION/DIMENSIONS PAGE B5-8
--------------------------------	---------------------------	------------------------	-----------------------------------

# RELATED PRODUCTS



## D-LOK Ball Bearings

**BALL BEARING END COVERS FOR MOUNTED UNITS OTHER THAN PILLOW BLOCKS & TAPPED BASE UNITS**



Series	Shaft Size*		Part Number	Description
	DL	DLM, DLH		
203	1/2 & 5/8 17mm	-----	<b>128201</b>	EC-203-X
204	1/2 - 3/4 20mm	-----	<b>128203</b>	EC-204-X
205	7/8 - 1 25mm	-----	<b>128205</b>	EC-205-X
206	1-1/16 - 1-1/4 30mm	----- 25mm	<b>128207</b>	EC-206-X
207	1-1/4 - 1-7/16 35mm	1-3/16 & 1-1/4 30mm	<b>128209</b>	EC-207-X
208	1-1/2 - 1-5/8 40mm	1-7/16 35mm	<b>128211</b>	EC-208-X
209	1-5/8 - 1-3/4 45mm	1-1/2 40mm	<b>128213</b>	EC-209-X
210	1-15/16 & 2 50mm	1-11/16 & 1-3/4 45mm	<b>128215</b>	EC-210-X
211	2 - 2-1/4 55mm	1-15/16 & 2 50mm	<b>128217</b>	EC-211-X
212	2-1/4 - 2-7/16 60mm	2-3/16 - 2-1/4 55mm	<b>128219</b>	EC-212-X

\* NOTE: Above end covers will not fit the LF and LFT bearings

D-LOK

Type E Family

Specialty Tapered

S-2000

UNISPHERE II

FEATURES/BENEFITS PAGE B5-2	NOMENCLATURE PAGE B5-4	SELECTION PAGE B5-5	SELECTION/DIMENSIONS PAGE B5-8
--------------------------------	---------------------------	------------------------	-----------------------------------

# RELATED PRODUCTS



## D-LOK Ball Bearings

### BALL BEARING END COVERS FOR MOUNTED UNITS OTHER THAN PILLOW BLOCKS & TAPPED BASE UNITS

Series	Shaft Size		Weight lbs <i>gm</i>	A	C	D	E	F	G	H	I
	DL	DLM, DLH									
203	1/2 & 5/8	-----	0.02	1-51/64	2-13/64	1-3/16	1-41/64	51/64	1-29/64	15/16	1/4
	17mm		10	45.5	56.1	30.2	41.7	20.3	37.1	23.9	6.4
204	1/2 - 3/4	-----	0.03	2-7/32	2-47/64	1-25/64	2-1/32	1-1/64	1-13/16	1-5/32	5/16
	20mm		15	56.1	69.6	35.3	51.6	25.7	45.7	29.5	7.9
205	7/8 - 1	-----	0.05	2-3/8	3-3/64	1-19/32	2-5/32	1-1/64	1-53/64	1-11/64	11/32
	25mm		24	60.2	77.2	40.6	54.9	25.7	46.5	29.7	8.7
206	1-1/16 - 1-1/4	-----	0.08	2-47/64	3-21/64	1-45/64	2-1/2	1-3/16	2-1/16	1-23/64	23/64
	30mm		36	69.3	84.3	43.2	63.5	30.2	52.3	34.5	8.9
207	1-1/4 - 1-7/16	1-3/16 & 1-1/4	0.12	3-1/4	3-27/32	1-31/32	3-1/64	1-11/32	2-11/32	1-17/32	3/8
	35mm	30mm	53	82.6	97.5	50.0	76.7	34.5	59.4	38.9	9.4
208	1-1/2 - 1-5/8	1-7/16	0.14	3-3/8	4.0	2-1/16	3-7/64	1-19/64	2-13/32	1-1/2	27/64
	40mm	35mm	64	85.9	101.6	52.3	79.0	33.0	61.0	38.1	10.7
209	1-5/8 - 1-3/4	1-1/2	0.16	3-11/16	4-17/64	2-11/64	3-13/32	1-23/64	2-21/64	1-17/32	25/64
	45mm	40mm	73	93.7	108.2	55.1	86.6	34.3	59.2	38.9	9.9
210	1-15/16 & 2	1-11/16 & 1-3/4	0.18	3-7/8	4-1/2	2-21/64	3-9/16	1-23/64	2-33/64	1-9/16	31/64
	50mm	45mm	82	98.6	114.3	59.2	90.9	34.3	63.8	39.6	12.4
211	2 - 2-1/4	1-15/16 & 2	0.24	4-27/64	5-1/16	2-19/32	4-1/8	1-29/64	2-37/64	1-21/32	29/64
	55mm	50mm	108	112.3	128.5	66.0	104.7	36.8	65.3	42.2	11.4
212	2-1/4 - 2-7/16	2-3/16 - 2-1/4	0.27	4-59/64	5-15/32	2-3/4	4-39/64	1-35/64	2-11/16	1-3/4	13/32
	60mm	55mm	124	125.0	138.7	69.9	117.1	39.1	68.3	44.5	10.4

For no re-lube (\_NL) applications, part number **430020**, hex head plug is available

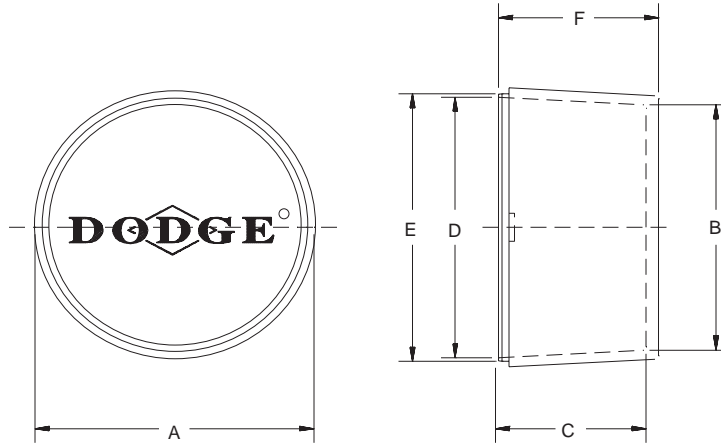
FEATURES/BENEFITS PAGE B5-2	NOMENCLATURE PAGE B5-4	SELECTION PAGE B5-5	SELECTION/DIMENSIONS PAGE B5-8
--------------------------------	---------------------------	------------------------	-----------------------------------

# RELATED PRODUCTS



## D-LOK Ball Bearings

### BALL BEARING END COVERS FOR MOUNTED UNITS 214 SERIES & LARGER



Series	Shaft Size		Part Number	Description
	DL, DLH 70mm	DLM 65mm		
214	2-1/2 & 2-11/16 70mm	2-7/16 & 2-1/2 65mm	<b>128220</b>	EC-214
215	2-15/16 75mm	2-11/16 70mm	<b>128221</b>	EC-215
216	-----	2-15/16 & 3 75mm	<b>128222</b>	EC-216
218	-----	3-7/16 & 3-1/2 85mm	<b>128223</b>	EC-218

D-LOK

Type E Family

Specialty Tapered

S-2000

UNISPHERE II

FEATURES/BENEFITS  
PAGE B5-2

NOMENCLATURE  
PAGE B5-4

SELECTION  
PAGE B5-5

SELECTION/DIMENSIONS  
PAGE B5-8

# RELATED PRODUCTS



## D-LOK Ball Bearings

### BALL BEARING END COVERS FOR MOUNTED UNITS 214 SERIES & LARGER

Series	Shaft Size		Weight lbs <i>gm</i>	A	B	C	D	E	F
	DL, DLH	DLM							
214	2-1/2 & 2-11/16 <i>70mm</i>	2-7/16 & 2-1/2 <i>65mm</i>	0.33 <i>151</i>	4-15/16 <i>125.5</i>	4-7/16 <i>112.8</i>	2-39/64 <i>66.3</i>	4-39/64 <i>117.1</i>	4.741/4.737 <i>120.4/120.3</i>	2-53/64 <i>71.9</i>
215	2-15/16 <i>75mm</i>	2-11/16 <i>70mm</i>	0.36 <i>154</i>	5-3/32 <i>129.3</i>	4-49/64 <i>120.9</i>	2-29/64 <i>62.5</i>	4-3/4 <i>120.7</i>	4.944/4.940 <i>125.6/125.5</i>	2-7/8 <i>72.9</i>
216	-----	2-15/16 & 3 <i>75mm</i>	0.44 <i>201</i>	5-9/16 <i>141.2</i>	5-15/64 <i>132.8</i>	2-47/64 <i>69.6</i>	5-13/64 <i>132.1</i>	5.350/5.346 <i>135.9/135.8</i>	2-63/64 <i>75.7</i>
218	-----	3-7/16 & 3-1/2 <i>85mm</i>	0.57 <i>257</i>	6-5/16 <i>130.3</i>	5-29/32 <i>149.9</i>	2-27/32 <i>72.1</i>	5-15/16 <i>150.6</i>	6.100/6.096 <i>154.9/154.8</i>	3-3/32 <i>78.5</i>

FEATURES/BENEFITS PAGE B5-2	NOMENCLATURE PAGE B5-4	SELECTION PAGE B5-5	SELECTION/DIMENSIONS PAGE B5-8
--------------------------------	---------------------------	------------------------	-----------------------------------

# NOTES



D-LOK

Type E Family

Specialty Tapered

S-2000

UNISPHERE II

FEATURES/BENEFITS  
PAGE B5-2

NOMENCLATURE  
PAGE B5-4

SELECTION  
PAGE B5-5

SELECTION/DIMENSIONS  
PAGE B5-8

# CONTENTS



## Type E/DOUBLE-INTERLOCK®/Type K/TAF

Features / Benefits	
Type E . . . . .	B6-3
DOUBLE-INTERLOCK & Type K . . . . .	B6-5
TAF . . . . .	B6-6
Specifications . . . . .	B6-8
How to Order . . . . .	B6-9
Nomenclature . . . . .	B6-10
Selection (Inch) . . . . .	B6-11
Easy Selection Table . . . . .	B6-15
Engineering/Technical . . . . .	B6-17
Selection/Dimensions - Inch	
Type E	
Pillow Block . . . . .	B6-22
Flanges . . . . .	B6-28
Take-Ups . . . . .	B6-30
Type K	
Pillow Block . . . . .	B6-34
Flanges . . . . .	B6-36
Inner Units . . . . .	B6-38
Take-Ups . . . . .	B6-40
DOUBLE-INTERLOCK	
Pillow Block . . . . .	B6-44
Flanges . . . . .	B6-48
Inner Units . . . . .	B6-50
TAF	
Pillow Block . . . . .	B6-52
Inner Units . . . . .	B6-56
Modification/Accessories	
Type E End Closures and T-TECT Seals . . . . .	B6-58
Type K, DOUBLE-INTERLOCK and TAF End Closures and E-TECT Seals . . . . .	B6-60
Selection - TAF Smart Bearings . . . . .	B6-61
Selection/Dimensions - Metric	
Type E - Metric . . . . .	B6-70
DOUBLE-INTERLOCK - Metric . . . . .	B6-72
Part Number Index . . . . .	INDEX-1
Key Word Index . . . . .	INDEX-34

D-LOK

Type E Family

Speciality Tapered

S-2000

UNISPHERE II

# CONTENTS

---



D-LOK

Type E Family

Specialty Tapered

S-2000

UNISPHERE II



# FEATURES/BENEFITS



## Type E/DOUBLE-INTERLOCK/Type K/TAF

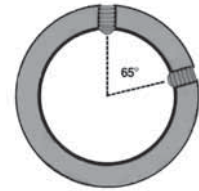
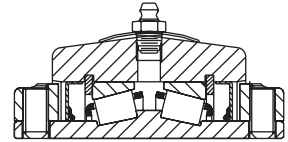
These four product lines have many common features and benefits that are shown on this page. Unique features for each product are shown on the following pages.

The common components used by all four lines include:

- Bearings
- Seals
- Locking collars
- Bore range

### General Features:

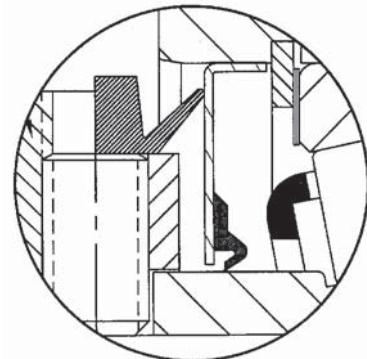
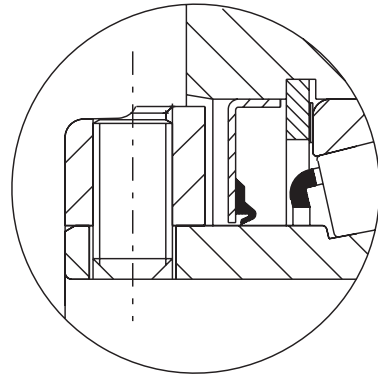
- Factory assembled, adjusted and prelubricated
- Case hardened rollers and races
- Easy installation and maintenance
- 65 degree set screw angle Springlok collar/ fingers - more holding power than 90 to 120 degree
- Single rubber lip contacting seals



## Exclusive Sealing Designs And Features

Rolling Elements Never Exposed to Contaminants

- Exclusive "R" Seal features a combination metal shield and positive land riding contacting lip seal. Keeps contaminants out, lubricants in.
- E-TECT Seal option gives extra protection with a combination face rubbing seal in addition to the "R" Seal System (See page B6-58)
- TIMKEN™ tapered roller bearing inserts allow for combination radial and thrust loads.
- Lip design conform to cones. Permits grease to purge.
- Close fit oversized collars act as flingers for added protection in dusty or damp environments





# FEATURES/BENEFITS



## Type E

### DODGE Type E One Bearing, One Seal For Dusty or Damp Environments



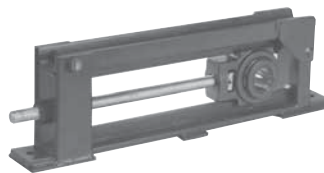
- “E” stands for economy
- Type E allows easy upgrade from ball bearings
- Interchangeable mounting dimensions with ball bearings
- Moderate price premium vs. ball bearings
- Steel housed pillow blocks available in selected sizes

### The Original DODGE Type E Bearing, Only Better

- Provides added protection against contamination
- Completely assembled, factory adjusted and properly lubricated - **shaft ready**
- Stocked in all configurations
- Extra protection - E-TECT seal option
- Steel end covers available up to 3”, 75mm



Top Angle Take-Ups  
1-3/4 to 4”  
45 - 100 mm



Center Pull Frame With  
Wide Slot Take-Up  
1-3/8 to 3”  
35 - 75 mm



Pillow Block  
1-3/16 to 7”  
35 - 180 mm



Piloted Flange  
1-3/16 to 5”  
35 - 125 mm



Flange  
1-3/16 to 4-1/2”  
35 - 115 mm

# FEATURES/BENEFITS



## Type K and DOUBLE-INTERLOCK

### DODGE DOUBLE-INTERLOCK COMBINES DURABILITY WITH MOUNTING FLEXIBILITY

#### Heavy Duty Housing Construction Has Proven Performance

- Offers tapered roller bearing durability in a variety of mounting styles
- Extra protection E-TECT Seal Option
- Special clearances and greases available
- Self aligning
- Factory assembled, adjusted and lubricated - **shaft ready**
- End covers available up to 5"



Pillow Block  
1-3/16 to 7"



Flanges  
1-3/16 to 5"



S-1 Unit



B-1 Unit  
1-3/16 up to 5"

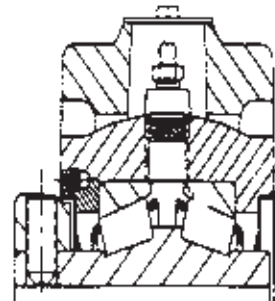


D Unit  
1-3/16 up to 5"

### DODGE TYPE K FITS WHERE COMPETITORS WON'T

#### Tapered Roller Bearings With Reduced Length Thru Bore

- Reduces length thru bore design in a variety of mounting styles
- Single collar design saves space and installation time
- Allows bearing to be closer to the load for reduced shaft design
- Self-aligning
- Factory assembled, adjusted and lubricated - shaft ready
- Same housing as DOUBLE-INTERLOCK
- End covers available up to 5"



Flange Expansion and  
Non-Expansion  
1-3/16 - 3-15/16



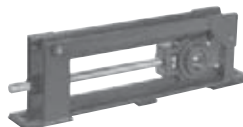
S-1 & B-1 Units  
1-3/16 - 3-15/16"



Wide Slot Take-Up  
Frame  
1-3/8 - 3"



Pillow Block  
Expansion & Non-Expansion  
1-3/16 - 3-15/16"



Top Angle Take-Ups  
1-3/4 - 3-15/16"

# FEATURES/BENEFITS

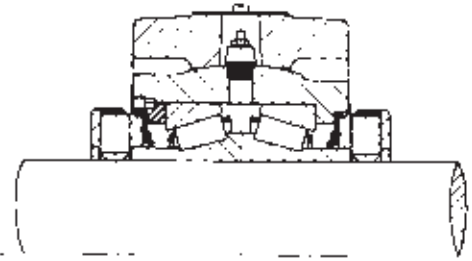


## TAF

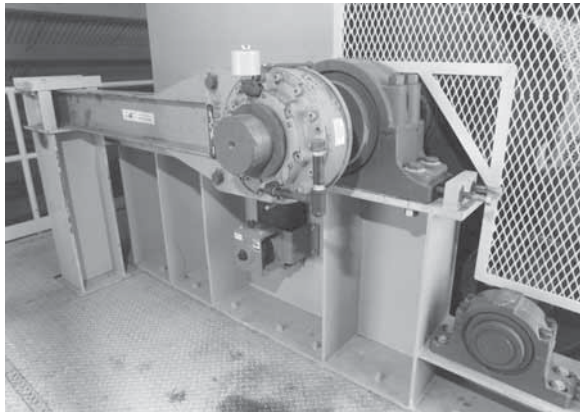
### TAF IS A COST SAVING ALTERNATIVE TO SAF SPHERICAL BEARINGS

#### Mounts Fast, Stays Cleaner And Extends Service Life

- **Shaft ready** - mounts six times faster than SAF
- Interchangeable with SAF style pillow blocks
- Self-aligning, factory assembled, adjusted and lubricated
- Available in 1-7/16" up to 7" shaft diameters
- Equipped with expansion or non-expansion housing
- E-TECT seal option available up to 7"
- Optional Smart Housings accommodate speed, vibration and temperature sensor kits



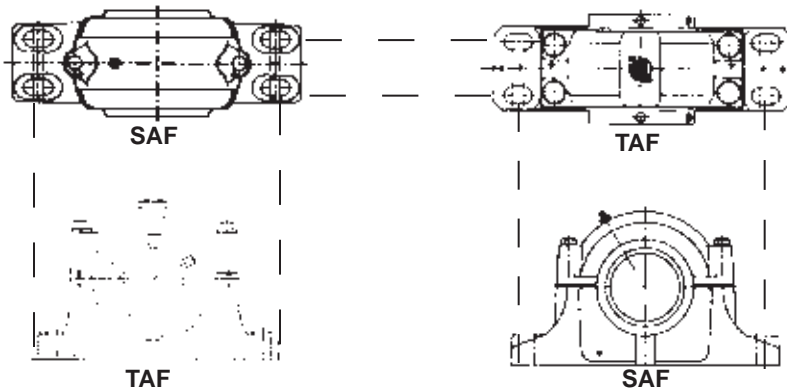
Self-aligning provided by spherically machined housing



SAF

Self-aligning provided by insert, limited by seal interference

#### TAF Is Interchangeable With SAF Mounting Dimensions



# FEATURES/BENEFITS



## Type K/DOUBLE-INTERLOCK/TAF

### DODGE BEARINGS SAVE YOU TIME AND MONEY

#### Compare These DODGE TAF, Type K & DOUBLE-INTERLOCK Bearing Advantages Against Standard SAF Pillow Blocks

##### Standard SAF

- Four prices
- Up to six packages
- Open bearing
- Feeler gauge required
- Grease required

##### DODGE TAF, Type K and DOUBLE-INTERLOCK

- One price
- Sealed bearing
- Factory adjusted
- Factory lubricated
- **Shaft ready**



#### Compare Standard SAF and DODGE Sealing Designs

##### Standard SAF

- Seals ride independently of bearing
- Less than 1° static misalignment
- Sealing effectiveness decreases as misalignment increases
- Seals distort when misalignment occurs



##### DODGE TAF, Type K and DOUBLE-INTERLOCK

- Inner unit carries seal
- Up to 5° static misalignment
- Seal and bearing ride together in inner unit
- Seals maintain contact on cones even with misalignment



D-LOK

Type E Family

Speciality Tapered

S-2000

UNISPHERE II



# SPECIFICATION



## Type E, Type K, DOUBLE-INTERLOCK and TAF

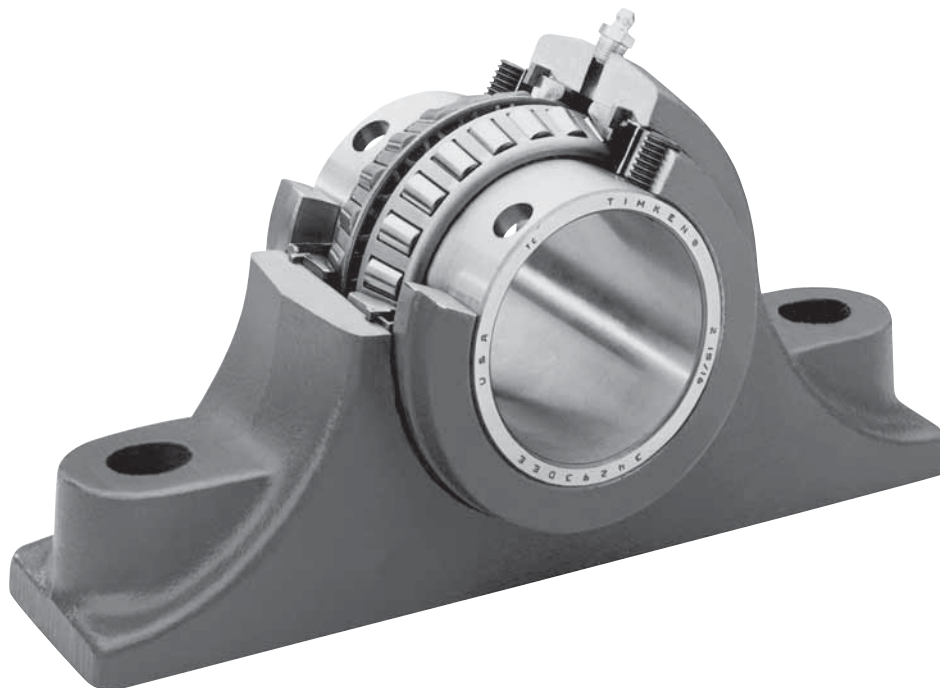
Type E, Type K, DOUBLE-INTERLOCK and TAF mounted bearings are all general purpose high capacity tapered roller bearings capable of handling any combination of radial and thrust load within the capacity of the bearing.

All of these bearings are mounted to the shaft by means of set screw collars having 65 degree set screw spacing for optimum clamping force. The Type E, DOUBLE-INTERLOCK, and TAF mounted bearings have locking collars at each end of their extended inner races. Type K has a single locking collar. The tapered roller bearings for these mounted bearings all have case carburized inner races (cones), outer races (cups), and rollers.

Bearings are preassembled, prelubricated and factory adjusted. They are normally equipped with land riding contact type seals with a metal deflector guard.

The standard housing material for most of these mounted bearings is ASTM A48 Class 30 Iron having a minimum tensile strength of 30,000 psi. The outer housing for the Type K and DOUBLE-INTERLOCK flange bearings thru 4", bore size utilize housings made of ductile iron (ASTM A536 Grade 65-45-12) with 65,000 psi tensile strength. Type E pillow blocks are also available with cast steel housing having a tensile strength of 70,000 psi for 2 bolt base thru 3-1/2" bore size and 4 bolt base from 3-15/16" thru 5" bore size on an assembled or order basis.

The Type K, DOUBLE-INTERLOCK pillow blocks and flange bearings plus the TAF pillow blocks all have split outer housings used with completely assembled, lubricated and adjusted inner units simplifying replacement of the bearing in the pillow block or flange bearing. All Type E mounted bearings, Type K take up units and all D units, S-1 units, and B-1 units have solid one piece housings.



D-LOK

Type E Family

Specialty Tapered

S-2000

UNISPHERE II

FEATURES/BENEFITS PAGE B6-2	NOMENCLATURE PAGE B6-4	SELECTION PAGE B6-5	SELECTION/DIMENSIONS PAGE B6-8
--------------------------------	---------------------------	------------------------	-----------------------------------

# HOW TO ORDER



## Type E, Type K, DOUBLE-INTERLOCK and TAF

There are two ways to specify DODGE Bearings. Most of the product offering have part numbers with listings shown throughout this catalog. Use of part numbers ensures accurate order processing.

When part numbers are not shown, the product may be specified by description or part name. This method is used when ordering units that include modifications or options. To order by description, use the nomenclature key shown on page and add any special instructions to the end of the description for options not covered by the nomenclature.

### SPECIAL BEARING REQUIREMENTS AND SPECIAL LUBRICANTS

DODGE Bearings are factory adjusted and pre-lubricated. For applications where extreme ambient temperatures, high speeds or high loads are expected, a variety of specialty lubricants and adjustments are available. Standard grease provided is Mobilith AW 2 up to 5", 125mm bore. Above 5" bore Mobil Mobilux #2EP is standard. High

temperature greases available include Mobil HTS #2 and Mobilith SHC460. Other special lubricants are available upon request. Special lubricant options usually involve set-up charges and premiums. To order, specify type of lubricant required at the end of the product name or after the standard part number.

Example:

F4B-E-207 except with Mobil Grease HTS #2 grease and 012 to .015 lateral end play

or

023106 except with Mobil Grease HTS #2 grease and 012 to .015 lateral end play

### OTHER SPECIAL REQUIREMENTS NOT LISTED

For applications requiring modifications not listed, we encourage you to contact our Application Engineering Department for Bearings at 864-284-5700.

D-LOK

Type E Family

Specialty Tapered

S-2000

UNISPHERE II

FEATURES/BENEFITS PAGE B6-2	NOMENCLATURE PAGE B6-4	SELECTION PAGE B6-5	SELECTION/DIMENSIONS PAGE B6-8
--------------------------------	---------------------------	------------------------	-----------------------------------

# NOMENCLATURE



## Type E, Type K, DOUBLE-INTERLOCK and TAF

P2B - 515-TAF - 207 - RE

### HOUSING STYLE OPTION

P2B = Pillow Block  
2-Bolt, Cast Iron

P4B = Pillow Block  
4-Bolt, Cast Iron

SP2B - Pillow Block  
2-Bolt, Cast Steel

SP4B = Pillow Block  
4-Bolt, Cast Steel

F4B = Flange Bearing  
4-Bolt, Cast Iron

FC = Piloted Flange  
Bearing (Flanged  
Cartridge)

B1U = B1 Unit, Cast Iron

DU = D Unit, Cast Iron

S1U = S-1, Unit, Cast Iron

WSTU = Wide Slot Take-Up  
Bearing, Cast Iron

TP = Top Angle Take-Up Bearing  
Cast Iron

H2S = Pillow Block Housing Only  
2-Bolt, Cast Iron

H4S = Pillow Block Housing  
4-Bolt, Cast Iron

### BEARING TYPE OPTIONS

E = Type E

K = Type K

DI = DOUBLE-INTERLOCK

TAF = TAF

5XX = Housing Series  
(TAF Only)

### SIZE

INCHES & 16TH  
2 = 2 Inches

07 = 7/16 Inches  
Or

207 = 2-7/16"

METRIC  
060M = 60  
Millimeters

### OTHER OPTIONS

R = Land Riding Rubbing  
Seal

E = Expansion Type Bearing.

**Note:** If E Does Not Appear After Seal Type,  
Then Bearing Is Non-Expansion Type

D-LOK

Type E Family

Specialty Tapered

S-2000

UNISPHERE II

FEATURES/BENEFITS PAGE B6-2	NOMENCLATURE PAGE B6-4	SELECTION PAGE B6-5	SELECTION/DIMENSIONS PAGE B6-8
--------------------------------	---------------------------	------------------------	-----------------------------------



# SELECTION



## Type E, Type K, DOUBLE-INTERLOCK and TAF Tapered Roller Bearings

DODGE Type E, K, DI and TAF Double Row Tapered Roller Bearings have the capacity to carry heavy radial loads and combined radial and thrust loads. The maximum recommended load which can be applied is limited by various components in the system such as bearing, housing, shaft, shaft attachment, speed and life requirements as listed in this catalog. DODGE tapered roller bearings have been applied successfully even when these limits have been exceeded under controlled operating conditions. Contact DODGE Application Engineering (864) 297-4800 for applications which exceed the recommendations of this catalog.

**L<sub>10</sub> Hours Life** --- The life which may be expected from at least 90% of a given group of bearings operating under identical conditions.

$$L_{10} = \left( \frac{C_{90}}{P} \right)^{10/3} \times \frac{1,500,000}{\text{RPM}}$$

Where:  $C_{90}$  = Dynamic Capacity (Table 1, pg. B6-14), lbs.

P = Equivalent Radial Load, lbs.

### GENERAL

**Heavy Service** --- For heavy shock loads, frequent shock loads, or severe vibrations, add up to 50% (according to severity of conditions) to the Equivalent Radial Load. Consult DODGE Application Engineering for additional selection assistance.

Thrust load values shown in the table below are recommended as a guide for general applications that will give adequate L<sub>10</sub> life for pillow blocks. The maximum thrust load should not exceed values shown on Table 3. Where substantial radial load is also present, it is advisable to calculate actual L<sub>10</sub> life to assure that it meets the requirements. The effectiveness of the shaft attachment to carry thrust load depends

on proper tightening of the setscrews, shaft tolerance and shaft deflections. Therefore, it is advisable to use auxiliary thrust carrying devices such as shaft shoulder, snap ring or a thrust collar to locate the bearing under thrust loads heavier than shown below, or where extreme reliability is desired.

RPM RANGE		20-200	201 - 2000	Over 2000
RECOMMENDED THRUST LOAD	E, DI, TAF	C <sub>90</sub> /4	C <sub>90</sub> /8	C <sub>90</sub> /12
	K	C <sub>90</sub> /5	C <sub>90</sub> /8	C <sub>90</sub> /12

The shaft tolerances recommended below are adequate for normal radial and radial/thrust load applications. The radial load is limited by the attachment to the shaft (see Table 1). Where the applied radial load (F<sub>r</sub>) exceeds this limit (maximum allowable slip fit radial load), a snug-to-light press fit of the shaft is required. Since the allowable load, especially at a low speed, is very large, the shaft should be checked to assure adequate shaft strength.

The magnitude and direction of both the thrust and radial load must be taken into account when selecting a housing. **When pillow blocks are utilized, heavy loads should be directed through the base. Where uplift loads are involved, see Tables 6, 7, and, pg. B6-19 for maximum values.** Where a load pulls the housing away from the mounting base, both the hold-down bolts and housing must be of adequate strength. Auxiliary load carrying devices such as shear bars are advisable for side or end loading of pillow blocks and radial load for flange units.

SHAFT SIZE	TOLERANCE, INCHES
UP TO 1-1/2"	+ .0000 - .0005"
1-5/8 TO 4"	+ .000 - .001"
4-7/16 TO 6"	+ .000 - .0015"
6-7/16 - 8"	+ .000 - .002"

**NOTE:** The L<sub>10</sub> life calculated using the above formula is subject to life adjustment factors in accordance with ABMA standards described on page B16-9.

FEATURES/BENEFITS PAGE B6-2	NOMENCLATURE PAGE B6-4	SELECTION PAGE B6-5	SELECTION/DIMENSIONS PAGE B6-8
--------------------------------	---------------------------	------------------------	-----------------------------------



# SELECTION



## Type E, Type K, DOUBLE-INTERLOCK and TAF Tapered Roller Bearings

### SELECTING BEARINGS SUPPORTING RADIAL LOADS ONLY

1. Define  $L_{10}$  Life Hours desired.
2. Establish bearing radial load,  $F_R$  ( $F_R = P$  for Pure Radial Load Conditions). The DODGE program BEST™\* can be used to find application loads.
3. Establish RPM.

Using the easy selection Table 2, pg B6-15 find, under the RPM column, the equivalent radial load that equals or is higher than the application radial load for the desired life. The shaft size on the far left will be the minimum shaft size that you can use for your application. If the desired life is different than the values shown on the chart, use alternate Method A shown below.

- Example:
1.  $L_{10}$  Life = 30,000 Hours
  2. Radial load = 3800 lbs.
  3. RPM = 1,000

At the intersection of the 1,000 RPM column and the 30,000 hours  $L_{10}$  life row, the equivalent radial load of 3910 lbs. exceeds the 3800 lbs. radial load for shaft sizes 2-11/16 - 3". A bearing with bore ranging from 2-11/16" to 3" may be used for this application.

### ALTERNATE METHOD A --- SELECTING A BEARING FOR AN L10 LIFE VALUE NOT SHOWN IN THE EASY SELECTION CHART.

The  $L_{10}$  life equation can be rearranged so that the bearing dynamic capacity  $C_{90}$  is identified in terms of  $L_{10}$ , RPM and P.

$$C_{90} = \left( \frac{L_{10} \times \text{RPM}}{1,500,000} \right)^{0.3} \times P$$

( $P = F_R$  for Pure Radial Load Conditions)

Since the  $L_{10}$ , RPM, and P are known, solve for  $C_{90}$ . Select from the dynamic capacity column on Table 1, pg B6-14. The  $C_{90}$  value equal to or greater than the

$C_{90}$  value just calculated. The bore size on the far left represents the bore size selection. Check that the application RPM does not exceed the MAX. RPM on Table 1. Also check that the radial load does not exceed the Maximum Allowable Slip Fit Radial Load shown on Table 1. If it does, a line to line to light press fit of shaft is required. When selecting an  $L_{10}$  life of less than 30,000 hours, particular attention must be paid to shaft deflection and proper lubricant selection.

### SELECTING BEARINGS SUPPORTING COMBINATION RADIAL AND THRUST LOADS

When a bearing supports both a radial load and a thrust load, the loading on the two rows is shared unequally depending on the ratio of thrust to radial load. The use of the X (radial factor) and Y (thrust factor) from Table 1 converts the applied thrust load and radial loads to an equivalent radial load having the same effect on the life of the bearing as a radial load of this magnitude.

The equivalent radial load  $P = XF_R + YF_A$

Where: P= Equivalent radial load, lbs.

$F_R$ = Radial load, lbs. (see Table 1 for allowable slip fit maximum)

$F_A$ = Thrust (axial) load, lbs.

$e$  = Thrust load to radial load factor (Table 1)

X = Radial load factor (Table 1)

Y= Thrust load factor (Table 1)

To find X and Y, calculate  $F_A/F_R$  and compare to  $e$  for the selected bore size. Determine X and Y from Table 1, pg. B6-14 depending on whether  $F_A/F_R$  is equal to or less than  $e$ , or  $F_A/F_R$  is greater than  $e$ . Substitute all known values into the equivalent radial load equation. P (equivalent radial load) can be used in the life formula to determine  $L_{10}$ , or it can be compared to the allowable equivalent radial load ratings for the speed and hours life desired in the easy selection Table 2, pg B6-15.

\*The DODGE Bearing Evaluation and Selection Technique (BEST) is a menu driven computer program that calculates bearing loads, fatigue life and operating temperature for a two bearing shaft system based on user supplied input parameters. This interactive program is available at [www.ptwizard.com](http://www.ptwizard.com) under the Product Selection area.

FEATURES/BENEFITS PAGE B6-2	NOMENCLATURE PAGE B6-4	SELECTION PAGE B6-5	SELECTION/DIMENSIONS PAGE B6-8
--------------------------------	---------------------------	------------------------	-----------------------------------



## Type E, Type K, DOUBLE-INTERLOCK and TAF

### SELECTING BEARINGS SUPPORTING ONLY THRUST LOADS

Tapered Roller Bearings perform extremely well under pure thrust load applications. Use  $P = YFA$  for the equivalent radial load. The value of Y is obtained from Table 1, pg. B6-14 for  $FA/FR > e$ . Substitute Y and FA into the equivalent load equation. P (equivalent radial load) can be used in the life formula to determine L10 or it can be compared to the allowable equivalent radial load ratings for the speed and hours life desired in the easy selection Table 2, pg. B6-15.

### LUBRICATION

DODGE E, K, DI, and TAF tapered roller bearings up to 5" bore are lubricated at the factory with MOBILITH AW 2 grease. Above 5" bore they are lubricated with Mobil Mobilux #2EP. Mobilith AW 2 is a superior

industrial grease using a lithium complex thickener and a highly refined base oil. Mobil Mobilux #2EP grease is a superior industrial grease using a lithium hydroxystearate thickener and highly refined base oil. These greases will adequately handle low and medium speeds with low and medium loads at normal temperatures as defined on Table 5, pg. B6-18. For very low and high speeds, for heavy loads and for low and high temperatures, special greases must be used. Contact DODGE Application Engineering (864) 297-4800. DODGE engineers will recommend bearings and lubricants for the above unusual conditions. DODGE also has the expertise to custom design and build special bearings for your needs. The only maintenance requirement for DODGE Tapered Roller Bearings is periodic relubrication at regular intervals as outlined in the appropriate instruction manuals.

### RELUBRICATION SCHEDULE

Hours Run per Day	SUGGESTED LUBRICATION PERIOD IN WEEKS							
	1 to 250 RPM	251 to 500 RPM	501 to 750 RPM	751 to 1000 RPM	1001 to 1500 RPM	1501 to 2000 RPM	2001 to 2500 RPM	2501 to 3000 RPM
8	12	12	10	7	5	4	3	2
16	12	7	5	4	2	2	2	1
24	10	5	3	2	1	1	1	1

**High Speed Operation** --- In the higher speed ranges too much grease will cause overheating. The amount of grease that the bearing will take for particular high speed application can only be determined by experience --- see "Operating Temperature" below. If excess grease in the bearing caused overheating, it will be necessary to remove grease fitting (also drain plug when furnished) to permit excess grease to escape. When establishing a relubrication schedule, note that a small amount of grease at frequent intervals is preferable to a large amount at infrequent intervals.

**Operation in Presence of Dust, Water or Corrosive Vapors** --- Under these conditions the bearing should contain as much grease as speed will permit, since a full bearing with consequent slight leakage is the best protection against entrance of foreign material. In the higher speed ranges too much grease will cause overheating --- see "High Speed Operation". In the lower speed ranges, it is advisable to add extra grease to a new bearing before putting into operation. Bearings

should be greased as often as necessary (daily if required) to maintain a slight leakage at the seals.

### INSTALLATION AND MAINTENANCE

In nearly all applications good design practice requires two bearings supporting the shaft. In cases where three or more bearings are installed, unless precautions are taken to line the bearings up, both vertically and horizontally, it is possible to induce heavy loads. In the case of two bearings, alignment is not as critical, especially with DODGE K, DI, and TAF Tapered Roller Bearings. K, DI, and TAF bearings are designed to allow as much as 2° to 7° of static misalignment depending on bore size. To ensure good alignment, mounting surfaces must be checked for flatness and must lie in the same plane. When tightening base bolts and cap bolts, each bolt should be alternately tightened in incremental torque values until full torque is achieved to prevent the angular shifting of the pillow block that occurs when one bolt is tightened to its full torque. Shimming may be required to minimize misalignment..

FEATURES/BENEFITS PAGE B6-2	NOMENCLATURE PAGE B6-4	SELECTION PAGE B6-5	SELECTION/DIMENSIONS PAGE B6-8
--------------------------------	---------------------------	------------------------	-----------------------------------

# SELECTION



## Type E, Type K, DOUBLE-INTERLOCK and TAF

TABLE 1 - E, K, DI, AND TAF TAPERED ROLLER BEARING RADIAL AND THRUST FACTORS

SHAFT SIZE	e	FA/FR<e		FA/FR>e		DYNAMIC CAPACITY C90	STATIC CAPACITY C0	MAXIMUM RPM	MAXIMUM RPM	MAXIMUM ALLOWABLE SLIP FIT RADIAL LOAD, FR **, LBS	
		X	Y	X	Y	LBS.	LBS.	R-SEAL	E-TECT	E,DI,&TAF	K
1-3/16 1-1/4	0.49	0.87	1.77	0.70	2.14	2,980	15,760	4,490	3,100	3,100	2,100
1-3/8 1-7/16	0.46	0.87	1.89	0.70	2.28	4,760	26,000	3,820	2,675	5,000	3,300
1-1/2 1-5/8 1-11/16	0.44	0.87	1.96	0.70	2.37	6,140	33,000	3,320	2,325	6,400	4,300
1-3/4 1-7/8 1-15/16 2	0.33	0.87	2.64	0.70	3.18	8,070	43,000	3,050	2,135	8,400	5,600
2-3/16	0.36	0.87	2.38	0.70	2.87	8,550	48,200	2,730	1,900	8,900	5,900
2-1/4 2-7/16 2-1/2	0.40	0.87	2.17	0.70	2.63	9,090	54,000	2,420	1,700	9,500	6,300
2-11/16 2-3/4 2-15/16 3	0.46	0.87	1.87	0.70	2.26	9,600	61,200	2,060	1,440	10,000	6,700
3-3/16 3-1/4 3-7/16 3-1/2	0.50	0.87	1.71	0.70	2.07	15,300	108,600	1,640	1,145	16,000	10,500
3-15/16 4	0.49	0.87	1.77	0.70	2.14	21,000	154,000	1,530	1,070	22,000	14,600
4-7/16 4-1/2	0.53	0.87	1.63	0.70	1.97	25,800	188,400	1,360	950	27,000	----
4-15/16 5	0.47	0.87	1.83	0.70	2.21	35,500	266,000	1,200	840	35,000	----
5-7/16 5-15/16 6	0.49	0.87	1.76	0.70	2.12	40,700	354,000	915	640	42,400	----
6-7/16 6-1/2 6-15/16 7	0.54	0.87	1.61	0.70	1.95	69,200	574,000	790	550	72,000	----

**Comparing Spherical To Taper Roller Bearings:** The dynamic capacity C (spherical) and C90 (taper) are not to the same base. To compare basic dynamic capacities, multiply C x .259 and compare to C90.

\*C90 - Dynamic capacity based on a rated life of 90 million revolutions or 3000 hours at 500 RPM.

\*\* If load exceeds maximum allowable slip fit radial load, (FR), line-to-line, to light press fit of shaft required. Application up to maximum slip fit radial load may be applied if recommended shaft tolerances are used.

FEATURES/BENEFITS PAGE B6-2	NOMENCLATURE PAGE B6-4	SELECTION PAGE B6-5	SELECTION/DIMENSIONS PAGE B6-8
--------------------------------	---------------------------	------------------------	-----------------------------------

# SELECTION



## Type E, Type K, DOUBLE-INTERLOCK and TAF

**TABLE 2 - EASY SELECTION TABLE TYPE E, K, DI AND TAF**

Shaft Size	L10 Hours Life	Allowable Equivalent Radial Load (Lbs.) at various Revolutions Per Minute																		
		50	100	150	250	500	790	915	1,200	1,360	1,530	1,640	1,750	2,060	2,420	2,730	3,050	3,320	3,820	4,490
1-3/16 1-1/4	10,000	4,143	3,365	2,980	2,557	2,077	1,810	1,732	1,597	1,538	1,485	1,454	1,426	1,358	1,294	1,248	1,207	1,177	1,128	1,075
	30,000	2,980	2,421	2,143	1,839	1,494	1,302	1,246	1,149	1,106	1,068	1,046	1,026	977	931	898	868	846	811	773
	40,000	2,734	2,220	1,966	1,687	1,370	1,194	1,143	1,054	1,015	980	959	941	896	854	823	796	776	744	709
	60,000	2,421	1,966	1,741	1,494	1,213	1,058	1,012	933	899	867	849	833	793	756	729	705	687	659	628
	100,000	2,077	1,687	1,494	1,281	1,041	907	868	800	771	744	729	715	681	648	625	605	590	565	539
1-3/8 1-7/16	10,000	6,618	5,376	4,760	4,084	3,317	2,892	2,767	2,551	2,457	2,372	2,323	2,278	2,169	2,067	1,993	1,928	1,880	1,802	
	30,000	4,760	3,866	3,424	2,937	2,386	2,080	1,990	1,835	1,767	1,706	1,670	1,638	1,560	1,486	1,434	1,387	1,352	1,296	
	40,000	4,366	3,547	3,140	2,694	2,188	1,908	1,826	1,683	1,621	1,565	1,532	1,503	1,431	1,364	1,315	1,272	1,240	1,189	
	60,000	3,866	3,140	2,781	2,386	1,938	1,689	1,616	1,490	1,435	1,385	1,357	1,331	1,267	1,207	1,165	1,126	1,098	1,053	
	100,000	3,317	2,694	2,386	2,047	1,662	1,449	1,387	1,278	1,231	1,189	1,164	1,142	1,087	1,036	999	966	942	903	
1-1/2 1-5/8 1-11/16	10,000	8,537	6,934	6,140	5,268	4,279	3,730	3,569	3,290	3,169	3,059	2,996		2,798	2,666	2,571	2,487	2,425		
	30,000	6,140	4,987	4,416	3,789	3,077	2,683	2,567	2,366	2,279	2,200	2,155	2,113	2,012	1,917	1,849	1,789	1,744		
	40,000	5,632	4,575	4,051	3,475	2,823	2,461	2,355	2,171	2,091	2,018	1,977	1,939	1,846	1,759	1,696	1,641	1,600		
	60,000	4,987	4,051	3,587	3,077	2,500	2,179	2,085	1,922	1,851	1,787	1,750	1,716	1,635	1,557	1,502	1,453	1,416		
	100,000	4,279	3,475	3,077	2,640	2,144	1,869	1,789	1,649	1,588	1,533	1,502	1,473	1,402	1,336	1,289	1,247	1,215		
1-3/4 1-7/8 1-15/16 2	10,000	11,220	9,114	8,070	6,923	5,624	4,902	4,691	4,325	4,165	4,021	3,938	3,862	3,677	3,504	3,379	3,269			
	30,000	8,070	6,555	5,804	4,979	4,045	3,526	3,374	3,110	2,996	2,892	2,832	2,777	2,645	2,520	2,431	2,351			
	40,000	7,403	6,013	5,324	4,568	3,710	3,234	3,095	2,853	2,748	2,653	2,598	2,548	2,426	2,312	2,230	2,157			
	60,000	6,555	5,324	4,714	4,045	3,285	2,864	2,740	2,526	2,433	2,349	2,300	2,256	2,148	2,047	1,974	1,910			
	100,000	5,624	4,568	4,045	3,470	2,818	2,457	2,351	2,167	2,088	2,015	1,974	1,935	1,843	1,756	1,694	1,638			
2-3/16	10,000	11,888	9,656	8,550	7,335	5,958	5,194	4,970	4,582	4,413	4,260	4,172	4,091	3,896	3,712	3,581				
	30,000	8,550	6,945	6,149	5,276	4,285	3,736	3,575	3,295	3,174	3,064	3,001	2,943	2,802	2,670	2,575				
	40,000	7,843	6,371	5,641	4,839	3,931	3,427	3,279	3,023	2,911	2,810	2,752	2,699	2,570	2,449	2,362				
	60,000	6,945	5,641	4,995	4,285	3,481	3,034	2,903	2,677	2,578	2,489	2,437	2,390	2,276	2,169	2,092				
	100,000	5,958	4,839	4,285	3,676	2,986	2,603	2,491	2,296	2,212	2,135	2,091	2,051	1,953	1,861	1,795				
2-1/4 2-7/16 2-1/2	10,000	12,639	10,266	9,090	7,798	6,334	5,522	5,284	4,871	4,692	4,529	4,435	4,350	4,142	3,947					
	30,000	9,090	7,383	6,538	5,609	4,556	3,972	3,800	3,503	3,374	3,257	3,190	3,129	2,979	2,839					
	40,000	8,338	6,773	5,997	5,145	4,179	3,643	3,486	3,214	3,095	2,988	2,926	2,870	2,733	2,604					
	60,000	7,383	5,997	5,310	4,556	3,700	3,226	3,087	2,846	2,741	2,646	2,591	2,541	2,420	2,306					
	100,000	6,334	5,145	4,556	3,908	3,175	2,768	2,648	2,441	2,351	2,270	2,223	2,180	2,076	1,978					
2-11/16 2-3/4 2-15/16 3	10,000	13,348	10,842	9,600	8,236	6,690	5,832	5,580	5,145	4,955	4,783	4,684	4,594	4,375						
	30,000	9,600	7,798	6,905	5,924	4,811	4,194	4,014	3,700	3,564	3,440	3,369	3,304	3,146						
	40,000	8,806	7,153	6,334	5,434	4,414	3,848	3,682	3,394	3,269	3,156	3,090	3,031	2,886						
	60,000	7,798	6,334	5,608	4,811	3,908	3,407	3,260	3,005	2,895	2,794	2,737	2,684	2,556						
	100,000	6,690	5,434	4,811	4,128	3,353	2,923	2,797	2,578	2,483	2,397	2,348	2,302	2,192						

For maximum RPM see Table 1 on page B6-14

In the shaded area, E, DI and TAF mounted units require a line-to-line to light press fit of shaft

In the boxed area, Type K mounted units require a line-to-line to light press fit of shaft

D-LOK

Type E Family

Speciality Tapered

S-2000

UNISPHERE II

FEATURES/BENEFITS PAGE B6-2	NOMENCLATURE PAGE B6-4	SELECTION PAGE B6-5	SELECTION/DIMENSIONS PAGE B6-8
--------------------------------	---------------------------	------------------------	-----------------------------------

# SELECTION



## Type E, Type K, DOUBLE-INTERLOCK and TAF

TABLE 2 (continued) - EASY SELECTION TABLE TYPE E, K, DI AND TAF

Shaft Size	L10 Hours Life	Allowable Equivalent Radial Load (Lbs.) at various Revolutions Per Minute																			
		50	100	150	250	500	790	915	1,200	1,360	1,530	1,640	1,750	2,060	2,420	2,730	3,050	3,320	3,820	4,490	
3-3/16 3-1/4 3-7/16 3-1/2	10,000	21,273	17,279	15,300	13,126	10,662	9,295	8,894	8,199	7,897	7,623	7,466	7,322								
	30,000	15,300	12,427	11,004	9,441	7,668	6,685	6,397	5,897	5,680	5,482	5,369	5,266								
	40,000	14,035	11,400	10,094	8,660	7,034	6,132	5,868	5,409	5,210	5,029	4,925	4,830								
	60,000	12,427	10,094	8,938	7,668	6,228	5,430	5,196	4,790	4,613	4,453	4,361	4,277								
3-15/16 4	100,000	10,662	8,660	7,668	6,579	5,344	4,658	4,458	4,109	3,958	3,820	3,742	3,670								
	10,000	29,198	23,716	21,000	18,016	14,634	12,757	12,207	11,254	10,839	10,463										
	30,000	21,000	17,057	15,104	12,958	10,525	9,175	8,780	8,094	7,796	7,525										
	40,000	19,264	15,647	13,855	11,886	9,655	8,417	8,054	7,425	7,151	6,903										
	60,000	17,057	13,855	12,268	10,525	8,549	7,453	7,131	6,574	6,332	6,112										
4-7/16 4-1/2	100,000	14,634	11,886	10,525	9,030	7,334	6,394	6,118	5,640	5,432	5,244										
	10,000	35,872	29,137	25,800	22,134	17,979	15,673	14,998	13,826	13,316											
	30,000	25,800	20,956	18,556	15,919	12,931	11,273	10,787	9,944	9,577											
	40,000	23,667	19,223	17,022	14,603	11,861	10,340	9,895	9,122	8,786											
	60,000	20,956	17,022	15,072	12,931	10,503	9,156	8,761	8,077	7,779											
4-15/16 5	100,000	17,979	14,603	12,931	11,093	9,011	7,855	7,517	6,929	6,674											
	10,000	49,359	40,092	35,500	30,456	24,738	21,566	20,636	19,024												
	30,000	35,500	28,835	25,532	21,905	17,792	15,511	14,842	13,682												
	40,000	32,565	26,451	23,421	20,094	16,321	14,228	13,615	12,551												
	60,000	28,835	23,421	20,739	17,792	14,452	12,599	12,055	11,114												
5-7/16 5-15/16 6	100,000	24,738	20,094	17,792	15,264	12,398	10,809	10,343	9,535												
	10,000	56,589	45,964	40,700	34,917	28,362	24,725	23,659													
	30,000	40,700	33,059	29,272	25,113	20,398	17,783	17,016													
	40,000	37,335	30,325	26,852	23,037	18,712	16,312	15,609													
	60,000	33,059	26,852	23,777	20,398	16,569	14,444	13,821													
6-7/16 6-1/2 6-15/16 7	100,000	28,362	23,037	20,398	17,500	14,214	12,392	11,858													
	10,000	56,589	45,964	40,700	34,917	28,362	24,725	23,659													
	30,000	40,700	33,059	29,272	25,113	20,398	17,783	17,016													
	40,000	37,335	30,325	26,852	23,037	18,712	16,312	15,609													
	60,000	33,059	26,852	23,777	20,398	16,569	14,444	13,821													
100,000	28,362	23,037	20,398	17,500	14,214	12,392	11,858														

For maximum RPM see Table 1 on page B6-14

In the shaded area, E, DI and TAF mounted units require a line-to-line to light press fit of shaft

In the boxed area, Type K mounted units require a line-to-line to light press fit of shaft

FEATURES/BENEFITS  
PAGE B6-2

NOMENCLATURE  
PAGE B6-4

SELECTION  
PAGE B6-5

SELECTION/DIMENSIONS  
PAGE B6-8

# SELECTION



## Type E, DOUBLE-INTERLOCK and TAF

**TABLE 3 - PERMISSIBLE THRUST LOAD, LBS.\***

SHAFT SIZE INCHES	*E		*K/DI, TAF	
	2-Bolt	4-Bolt	2-Bolt	4-Bolt
1-3/16	2000		1400	
1-1/4	2000		1400	
1-3/8	2590		2590	
1-7/16	2590		2590	
1-1/2	2590		2590	
1-5/8	2590		2590	
1-11/16	2590		2590	
1-3/4	3454		3454	
1-7/8	3454		3454	
1-15/16	3454		3454	
2	3454		3454	
2-3/16	3454		3454	
2-1/4	3454	3454	3454	3454
2-7/16	3454	3454	3454	3454
2-1/2	3454	3454	3454	3454
2-11/16	5181	5181	5181	5181
2-3/4	5181	5181	5181	5181
2-15/16	5181	5181	5181	5181
3	5181	5181	5181	5181
3-3/16	5181	5181	4300	5181
3-1/4	5181	5181	4300	5181
3-7/16	5181	5181	4300	5181
3-1/2	5181	5181	4300	5181
3-15/16		6908		6908
4		6908		6908
4-7/16		6908		6908
4-1/2		6908		6908
4-15/16		6908		6908
5		6908		6908
5-7/16		8635		8635
5-15/16		8635		8635
6		8635		8635
6-7/16		12282		12282
6-1/2		12282		12282
6-15/16		12282		12282
7		12282		12282

**Note:** The limits above apply to set screw shaft mounting or pillow block over turning force. Under heavy thrust loads it is always wise to use shear bars. At all times, the L10 life of the bearing should be checked for proper selection and life requirements. For thrust loads larger than listed or heavy thrust loading on other style housing, contact DODGE Engineering for recommendations.

\* Does not include Piloted Flange  
 Piloted Flange up to and including 3-1/2" and all sizes of Type K only have one setscrew locking collar and therefore the above listed permissible thrust load values must be decreased by 1/2.

FEATURES/BENEFITS PAGE B6-2	NOMENCLATURE PAGE B6-4	SELECTION PAGE B6-5	SELECTION/DIMENSIONS PAGE B6-8
--------------------------------	---------------------------	------------------------	-----------------------------------

# SELECTION



## Type E, Type K, DOUBLE-INTERLOCK and TAF

**TABLE 4 - K, DI AND TAF MAXIMUM AXIAL EXPANSION (INCHES)**

Bore Size (INCHES)	Type K DOUBLE-INTERLOCK		TAF
	Pillow Block	Flange	
1-3/16 - 1-1/4	0.252	--	--
1-3/8 - 1-7/16	0.188	0.187	0.188
1-1/2 - 1-11/16	0.188	0.187	0.188
1-3/4 - 2	0.562	0.187	0.562
2-3/16	0.562	0.187	0.562
2-1/4 - 2-1/2	0.562	0.312	0.562
2-11/16 - 3	0.562	0.312	0.562
3-3/16 - 3-1/2	0.562	0.312	0.562
3-15/16 - 4	0.674	0.312	0.674
4-7/16 - 4-1/2	0.674	0.812	0.674
4-15/16 - 5	0.674	0.812	0.674
5-7/16 - 6	0.500	--	0.875
6-7/16 - 7	0.500	--	0.875

**Table 5 - DEFINITION OF OPERATING CONDITIONS FOR TAPERED ROLLER BEARINGS**

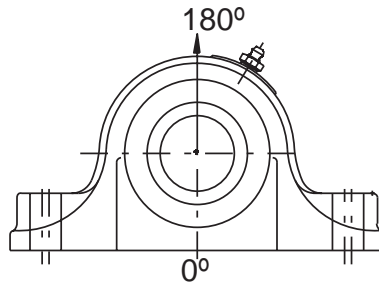
LOW SPEED	UP TO 20% OF MAX. RPM (TABLE 1)
MEDIUM SPEED	OVER 20% TO 80% OF MAX. RPM
HIGH SPEED	OVER 80% OF MAX. RPM
LIGHT LOAD	UP TO 30% OF C90 (TABLE 1)
NORMAL LOAD	OVER 30% TO 70% OF C90
HEAVY LOAD	OVER 70% OF C90
LOW TEMPERATURE	-100°F TO 20°F
MEDIUM TEMPERATURE	OVER 20°F TO 200°F
HIGH TEMPERATURE	OVER 200°F TO 300°F
VERY HIGH TEMPERATURE	OVER 300°F TO 400°F

FEATURES/BENEFITS PAGE B6-2	NOMENCLATURE PAGE B6-4	SELECTION PAGE B6-5	SELECTION/DIMENSIONS PAGE B6-8
--------------------------------	---------------------------	------------------------	-----------------------------------





## Type E



**TABLE 6 - HOUSING RATINGS - TYPE E (SOLID HOUSING)**

SHAFT SIZE (INCHES)	MAXIMUM RECOMMENDED HOUSING CAP LOADS, LBS. GRAY IRON 180°
1-3/16 - 1-1/4	1,600
1-3/8 - 1-7/16	3,150
1-1/2 - 1-11/16	3,000
1-3/4 - 2	5,150
2-3/16	3,500
2-1/4 - 2-1/2	6,550
2-11/16 - 3	7,000
3-3/16 - 3-1/2	15,700
3-15/16 - 4	16,250
4-7/16 - 4-1/2	21,000
4-15/16 - 5	22,860
5-7/16 - 6	43,600
6-7/16 - 7	46,000

\*When utilizing heavy cap loads on pillow block housings, the installation must adhere to the following procedures.

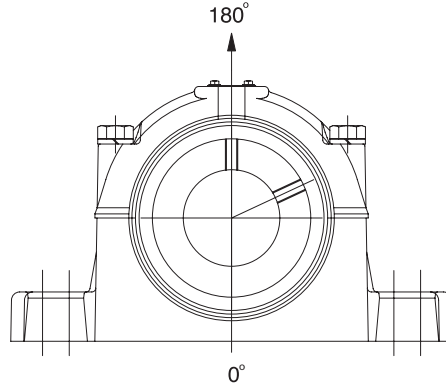
1. The pillow block base bolts must be of **Grade 8 strength with hardened washers and properly tightened** to the mounting structure.
2. The use of stop bars (shear strips) against pillow block where side loads are encountered
3. In all cases where loads are heavy, the L10 life of the bearing should be checked for proper selection and life requirements

FEATURES/BENEFITS PAGE B6-2	NOMENCLATURE PAGE B6-4	SELECTION PAGE B6-5	SELECTION/DIMENSIONS PAGE B6-8
--------------------------------	---------------------------	------------------------	-----------------------------------

# SELECTION



## Type K, DOUBLE-INTERLOCK and TAF



**Table 7:  
Housing Ratings  
Type K and DI Housing (Split Housing)**

SHAF SIZE (INCHES)	MAXIMUM RECOMMENDED HOUSING CAP LOADS, LBS. 180°
1-3/16 - 1-1/4	4,300
1-3/8 - 1-7/16	5,060
1-1/2 - 1-11/16	5,940
1-3/4 - 2	8,660
2-3/16	10,100
2-1/4 - 2-1/2	10,100
2-11/16 - 3	11,220
3-3/16 - 3-1/2	16,170
3-15/16 - 4	19,580
4-7/16 - 4-1/2	20,130
4-15/16 - 5	24,530
5-7/16 - 6	35,200
6-7/16 - 7	56,000

**Table 8:  
Housing Ratings  
TAF (Split Housing)**

SHAF SIZE (INCHES)	MAXIMUM RECOMMENDED HOUSING CAP LOADS, LBS. 180°
1-7/16	4,600
1-11/16	5,400
1-15/16	7,875
2-3/16	9,200
2-7/16 - 2-1/2	9,220
2-15/16 - 3	10,200
3-7/16 - 3-1/2	14,700
3-15/16 - 4	17,800
4-7/16 - 4-1/2	18,300
4-15/16 - 5	22,300
5-7/16 - 6	30,000
6-7/16 - 6-1/2	30,000
6-15/16 - 7	48,000

\*When utilizing heavy cap loads on pillow block housings, the installation must adhere to the following procedures.

1. The pillow block base bolts must be of **Grade 8 strength with hardened washers and properly tightened to the mounting structure.**
2. The use of stop bars (shear strips) against pillow block where side loads are encountered
3. In all cases where loads are heavy, the L10 life of the bearing should be checked for proper selection and life requirements

FEATURES/BENEFITS PAGE B6-2	NOMENCLATURE PAGE B6-4	SELECTION PAGE B6-5	SELECTION/DIMENSIONS PAGE B6-8
--------------------------------	---------------------------	------------------------	-----------------------------------

# SELECTION/DIMENSIONS



Type E, Type K, DOUBLE-INTERLOCK and TAF

## DODGE<sup>®</sup> MOUNTED BEARINGS APPLICATION DATA SHEET

Instructions: Complete all applicable information and mail or Fax to DODGE at P.O. Box 499, Greenville, SC 29620, Attn: Engineering, Fax 864-2317

Company \_\_\_\_\_ DIST.  USER  OEM  Date \_\_\_\_\_  
Address \_\_\_\_\_  
Name \_\_\_\_\_ Phone \_\_\_\_\_ Fax \_\_\_\_\_  
Type of Equipment (sketch drive on separate sheet) \_\_\_\_\_

### Service Conditions:

Shaft Speed: Normal \_\_\_\_\_ Maximum \_\_\_\_\_  
Loads: Radial \_\_\_\_\_ Thrust \_\_\_\_\_ Shock (frequency) \_\_\_\_\_  
Shaft Size: \_\_\_\_\_ Shaft Tolerance (specify if not commercial) \_\_\_\_\_  
Duty Cycle: Hours/Day \_\_\_\_\_ Days/Week \_\_\_\_\_ Weeks/Year \_\_\_\_\_

### Environment:

Ambient Temperature: Summer \_\_\_\_\_ °F Winter \_\_\_\_\_ °F  
External Heat: Source of Heat \_\_\_\_\_  
Temperature \_\_\_\_\_ °F Distance from Bearing \_\_\_\_\_  
Air: Clean \_\_\_\_\_ Contaminated \_\_\_\_\_ Contamination Type \_\_\_\_\_  
Gas: Clean \_\_\_\_\_ Contaminated \_\_\_\_\_ Contamination Type \_\_\_\_\_  
Liquid: Type \_\_\_\_\_ Concentration \_\_\_\_\_  
Other: (Including washdowns) \_\_\_\_\_

### Experience: (If applicable)

Type of Bearing Currently Used: \_\_\_\_\_  
Life Realized \_\_\_\_\_ Type of Failure \_\_\_\_\_

### Other Pertinent Data

\_\_\_\_\_  
\_\_\_\_\_  
\_\_\_\_\_

L-10 Hours Required: \_\_\_\_\_

Dimensional Restrictions: Centerline Height \_\_\_\_\_  
Bolt Pattern \_\_\_\_\_  
Other \_\_\_\_\_

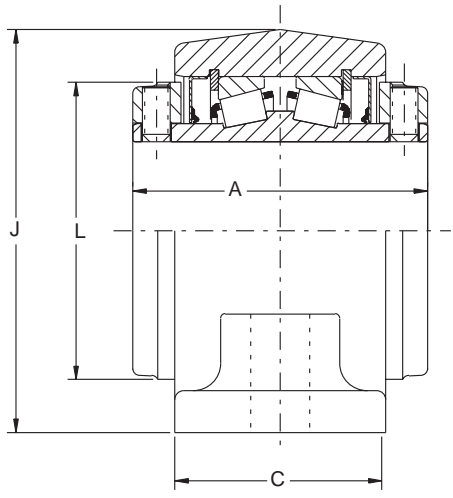
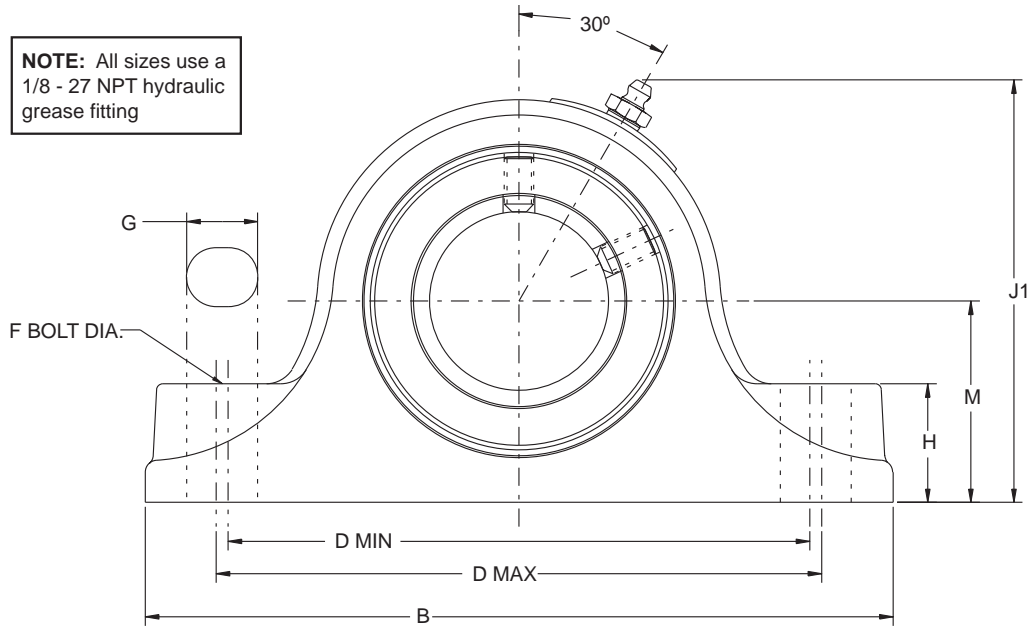
FEATURES/BENEFITS PAGE B6-2	NOMENCLATURE PAGE B6-4	SELECTION PAGE B6-5	SELECTION/DIMENSIONS PAGE B6-8
--------------------------------	---------------------------	------------------------	-----------------------------------

# SELECTION/DIMENSIONS

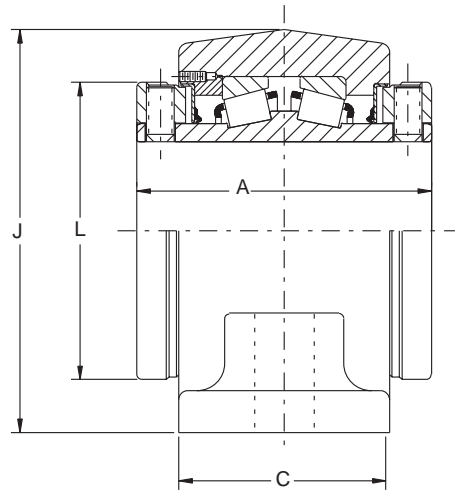


## Type E Pillow Block - Inch 2-BOLT BASE

**NOTE:** All sizes use a 1/8 - 27 NPT hydraulic grease fitting



1-3/16" THRU 3" CONSTRUCTION



3-3/16" THRU 3-1/2" CONSTRUCTION

FEATURES/BENEFITS PAGE B6-2	NOMENCLATURE PAGE B6-4	SELECTION PAGE B6-5	SELECTION/DIMENSIONS PAGE B6-8
--------------------------------	---------------------------	------------------------	-----------------------------------

D-LOK

Type E Family

Specialty Tapered

S-2000

UNISPHERE II

# SELECTION/DIMENSIONS



## Type E Pillow Block - Inch 2-BOLT BASE

GRAY IRON			
SHAFT SIZE INCHES #	PART NUMBER	PART NAME	WEIGHT LBS (APPROX)
1-3/16	023000	P2B-E-103R	4
1-1/4	023001	P2B-E-104R	4
1-3/8	023002	P2B-E-106R	7
1-7/16	023003	P2B-E-107R	7
1-1/2	023004	P2B-E-108R	10
1-5/8	023005	P2B-E-110R	10
1-11/16	023006	P2B-E-111R	10
1-3/4	023007	P2B-E-112R	12
1-7/8	023008	P2B-E-114R	12
1-15/16	023009	P2B-E-115R	12
2	023010	P2B-E-200R	12
2-3/16	023011	P2B-E-203R	15
2-1/4	023012	P2B-E-204R	21
2-7/16	023013	P2B-E-207R	20
2-1/2	023014	P2B-E-208R	20
2-11/16	023015	P2B-E-211R	29
2-3/4	023016	P2B-E-212R	28
2-15/16	023017	P2B-E-215R	27
3	023018	P2B-E-300R	27
3-3/16	023019	P2B-E-303R	48
3-1/4	023020	P2B-E-304R	47
3-7/16	023021	P2B-E-307R	46
3-1/2	023022	P2B-E-308R	45

# Consult DODGE For Sizes Not Listed

CAST STEEL			
SHAFT SIZE INCHES #	PART NUMBER	PART NAME	WEIGHT LBS
1-3/16	023047	SP2B-E-103R	4
1-1/4	023048	SP2B-E-104R	4
1-3/8	023049	SP2B-E-106R	7
1-7/16	023050	SP2B-E-107R	7
1-1/2	023051	SP2B-E-108R	10
1-5/8	023052	SP2B-E-110R	10
1-11/16	023053	SP2B-E-111R	10
1-3/4	023054	SP2B-E-112R	11
1-7/8	023055	SP2B-E-114R	11
1-15/16	023056	SP2B-E-115R	11
2	023057	SP2B-E-200R	11
2-3/16	023058	SP2B-E-203R	14
2-1/4	023059	SP2B-E-204R	19
2-7/16	023060	SP2B-E-207R	19
2-1/2	023061	SP2B-E-208R	19
2-11/16	023062	SP2B-E-211R	26
2-3/4	023063	SP2B-E-212R	26
2-15/16	023064	SP2B-E-215R	26
3	023065	SP2B-E-300R	26
3-3/16	023066	SP2B-E-303R	44
3-1/4	023067	SP2B-E-304R	44
3-7/16	023068	SP2B-E-307R	44
3-1/2	023069	SP2B-E-308R	44

# Consult DODGE For Sizes Not Listed

SHAFT SIZE (Inches)	A	B	C	D		F BOLT DIA	G	H	J	J1	L	M
				MIN	MAX							
1-3/16	2-3/4	6	1-7/8	4-3/4	4-13/16	1/2	19/32	7/8	3	3-9/32	2-1/4	1-1/2
1-1/4				5-5/8	5-7/8							
1-3/8	3	7-3/8	2-1/8	5-5/8	5-7/8	1/2	3/4	1-1/8	3-3/4	4	2-3/4	1-7/8
1-7/16				6-1/8	6-3/8							
1-1/2	3-3/8	7-7/8	2-3/8	6-1/8	6-3/8	1/2	3/4	1-1/4	4-1/4	4-15/32	3-3/16	2-1/8
1-5/8												
1-11/16												
1-3/4												
1-7/8	3-1/2	8-7/8	2-1/2	6-7/8	7-1/8	5/8	7/8	1-5/16	4-1/2	4-11/16	3-7/16	2-1/4
1-15/16												
2												
2-3/16												
2-3/16	3-3/4	9-5/8	2-5/8	7-5/8	7-7/8	5/8	7/8	1-1/2	5	5-11/64	3-3/4	2-1/2
2-1/4												
2-7/16												
2-1/2												
2-11/16	4-1/2	12	3	9-5/16	9-11/16	3/4	1	1-7/8	6-1/4	6-11/32	4-23/32	3-1/8
2-3/4												
2-15/16												
3												
3-3/16	5	14	3-1/2	10-13/16	11-3/16	7/8	1-3/16	2-1/4	7-1/2	7-1/2	5-1/2	3-3/4
3-1/4												
3-7/16												
3-1/2												

NOTE: All sizes use a 1/8-27 NPT hydraulic grease fitting

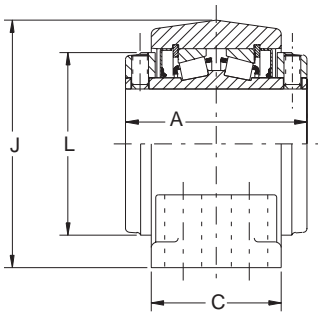
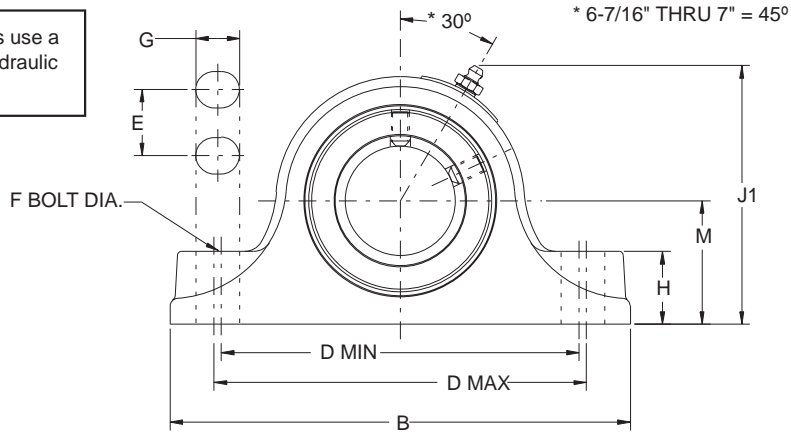
FEATURES/BENEFITS PAGE B6-2	NOMENCLATURE PAGE B6-4	SELECTION PAGE B6-5	SELECTION/DIMENSIONS PAGE B6-8
--------------------------------	---------------------------	------------------------	-----------------------------------

# SELECTION/DIMENSIONS

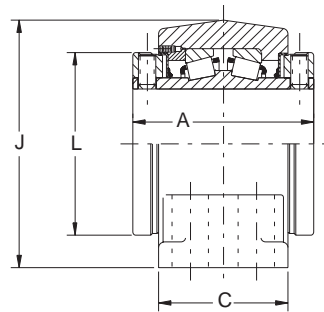


## Type E Pillow Block - Inch 4-BOLT BASE

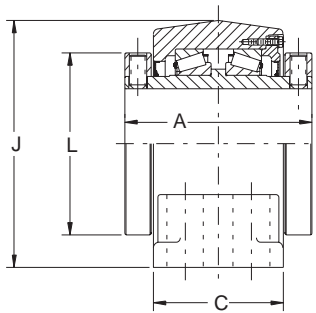
**NOTE:** All sizes use a 1/8 - 27 NPT hydraulic grease fitting



2-1/4" THRU 3" CONSTRUCTION



3-3/16" THRU 5" CONSTRUCTION



5-7/16" THRU 7" CONSTRUCTION

FEATURES/BENEFITS  
PAGE B6-2

NOMENCLATURE  
PAGE B6-4

SELECTION  
PAGE B6-5

SELECTION/DIMENSIONS  
PAGE B6-8

# SELECTION/DIMENSIONS



## Type E Pillow Block - Inch 4-BOLT BASE

GRAY IRON			
SHAFT SIZE INCHES #	PART NUMBER	PART NAME	WEIGHT LBS (APPROX)
2-1/4	023023	P4B-E-204R	20
2-7/16	023024	P4B-E-207R	20
2-1/2	023025	P4B-E-208R	19
2-11/16	023026	P4B-E-211R	30
2-3/4	023027	P4B-E-212R	28
2-15/16	023028	P4B-E-215R	28
3	023029	P4B-E-300R	28
3-3/16	023030	P4B-E-303R	47
3-1/4	023031	P4B-E-304R	47
3-7/16	023032	P4B-E-307R	46
3-1/2	023033	P4B-E-308R	45
3-15/16	023690	P4B-E-315R	69
4	023691	P4B-E-400R	69
4-7/16	023692	P4B-E-407R	85
4-1/2	023693	P4B-E-408R	85
4-15/16	023694	P4B-E-415R	134
5	023695	P4B-E-500R	133
5-7/16	023040	P4B-E-507R	230
5-15/16	023041	P4B-E-515R	250
6	023042	P4B-E-600R	245
6-7/16	023043	P4B-E-607R	356
6-1/2	023044	P4B-E-608R	350
6-15/16	023045	P4B-E-615R	340
7	023046	P4B-E-700R	335

# Consult DODGE For Sizes Not Listed

CAST STEEL			
SHAFT SIZE INCHES #	PART NUMBER	PART NAME	WEIGHT LBS
2-1/4	-----	-----	-----
2-7/16	-----	-----	-----
2-1/2	-----	-----	-----
2-11/16	-----	-----	-----
2-3/4	-----	-----	-----
2-15/16	-----	-----	-----
3	-----	-----	-----
3-3/16	-----	-----	-----
3-1/4	-----	-----	-----
3-7/16	-----	-----	-----
3-1/2	-----	-----	-----
3-15/16	023070	SP4B-E-315R	65
4	023071	SP4B-E-400R	65
4-7/16	023072	SP4B-E-407R	81
4-1/2	023073	SP4B-E-408R	81
4-15/16	023074	SP4B-E-415R	132
5	023075	SP4B-E-500R	132
5-7/16	-----	-----	-----
5-15/16	-----	-----	-----
6	-----	-----	-----
6-7/16	-----	-----	-----
6-1/2	-----	-----	-----
6-15/16	-----	-----	-----
7	-----	-----	-----

# Consult DODGE For Sizes Not Listed

SHAFT SIZE INCHES	A	B	C*	D		E	F BOLT DIA	G	H	J1	J	L	M
				MIN	MAX								
2-1/4	4	10-1/2	3-1/2	8-5/16	8-11/16	1-7/8	5/8	7/8	1-5/8	5-1/2	5-5/8	4-1/16	2-3/4
2-7/16													
2-1/2													
2-11/16	4-1/2	12	4	9-3/16	9-13/16	2-1/8	5/8	1	1-7/8	6-1/4	6-11/32	4-23/32	3-1/8
2-3/4													
2-15/16													
3													
3-3/16	5	13-1/2	4-1/2	10-3/4	11-1/4	2-3/8	3/4	1-3/16	2-1/4	7-1/2	7-1/2	5-1/2	3-3/4
3-1/4													
3-7/16													
3-1/2													
3-15/16	6-1/4	15-1/4	4-1/2	12-1/4	12-3/4	2-1/4	3/4	1-1/8	2-7/16	8-1/2	8-7/16	6	4-1/4
4													
4-7/16													
4-1/2	6-3/4	16-5/8	4-5/8	13-1/4	13-3/4	2-1/2	3/4	1-1/8	2-3/4	9-3/8	9-9/32	6-29/64	4-3/4
4-15/16													
5													
5-7/16	9	22	6-1/4	15-1/4	15-3/4	2-7/8	7/8	1-1/4	3	10-7/8	10-11/16	7-29/64	5-1/2
5-15/16													
6													
6-7/16													
6-1/2	10-1/2	26	7-1/8	21-1/4	23-1/4	4-5/8	1	2	3-11/16	14-15/16	----	11-3/8	7-1/2
6-15/16													
7													

NOTE: All sizes use a 1/8-27 NPT hydraulic grease fitting

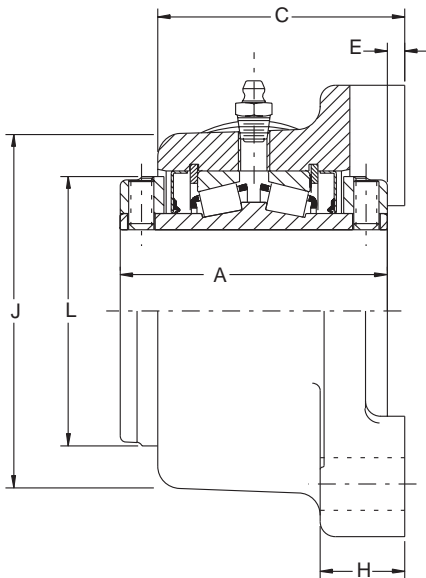
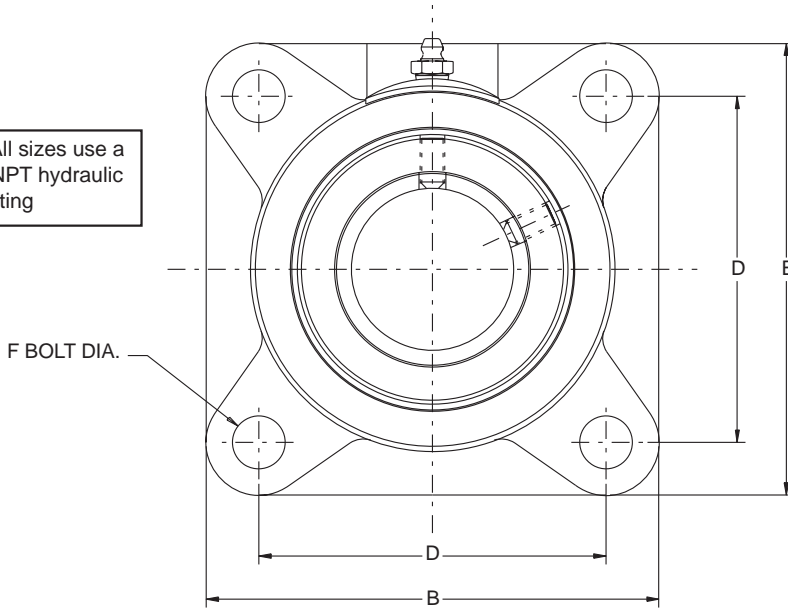
FEATURES/BENEFITS PAGE B6-2	NOMENCLATURE PAGE B6-4	SELECTION PAGE B6-5	SELECTION/DIMENSIONS PAGE B6-8
--------------------------------	---------------------------	------------------------	-----------------------------------

# SELECTION/DIMENSIONS

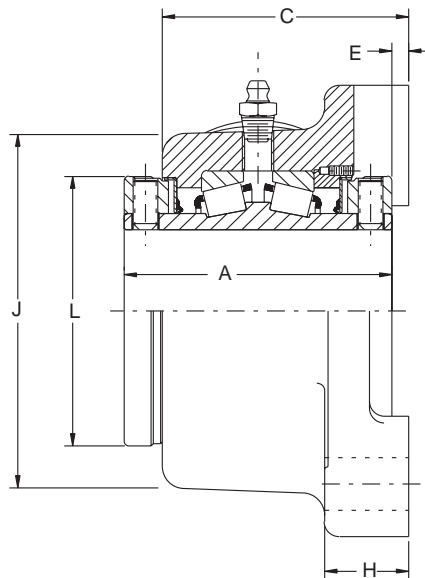


## Type E Flange Bearing - Inch 4-BOLT BASE

**NOTE:** All sizes use a 1/8 - 27 NPT hydraulic grease fitting



1-3/16" THRU 3" CONSTRUCTION



3-3/16" THRU 4-1/2" CONSTRUCTION

FEATURES/BENEFITS  
PAGE B6-2

NOMENCLATURE  
PAGE B6-4

SELECTION  
PAGE B6-5

SELECTION/DIMENSIONS  
PAGE B6-8



# SELECTION/DIMENSIONS



## Type E Flange Bearing - Inch 4-BOLT BASE

GRAY IRON			
SHAFT SIZE INCHES #	PART NUMBER	PART NAME	WEIGHT LBS (APPROX)
1-3/16	023093	F4B-E-103R	4
1-1/4	023094	F4B-E-104R	4
1-3/8	023095	F4B-E-106R	7
1-7/16	023096	F4B-E-107R	7
1-1/2	023097	F4B-E-108R	11
1-5/8	023098	F4B-E-110R	11
1-11/16	023099	F4B-E-111R	11
1-3/4	023100	F4B-E-112R	12
1-7/8	023101	F4B-E-114R	12
1-15/16	023102	F4B-E-115R	12
2	023103	F4B-E-200R	12
2-3/16	023104	F4B-E-203R	15
2-1/4	023105	F4B-E-204R	21
2-7/16	023106	F4B-E-207R	20
2-1/2	023107	F4B-E-208R	19
2-11/16	023108	F4B-E-211R	28
2-3/4	023109	F4B-E-212R	28
2-15/16	023110	F4B-E-215R	27
3	023111	F4B-E-300R	26
3-3/16	023112	F4B-E-303R	52
3-1/4	023113	F4B-E-304R	51
3-7/16	023114	F4B-E-307R	50
3-1/2	023115	F4B-E-308R	50
3-15/16	023116	F4B-E-315R	75
4	023117	F4B-E-400R	75
4-7/16	023118	F4B-E-407R	90
4-1/2	023119	F4B-E-408R	90

# Consult DODGE For Sizes Not Listed.

SHAFT SIZE INCHES	A	B	C	D	E	F BOLT	H	J	L
1-3/16	2-3/4	3-3/4	2-11/32	2-7/8	1/16	3/8	1	2-15/16	2-1/4
1-1/4									
1-3/8	3	4-5/8	2-19/32	3-1/2	1/16	1/2	1-1/16	3-1/2	2-3/4
1-7/16									
1-1/2	3-3/8	5-3/8	2-31/32	4-1/8	1/8	1/2	1-3/16	4-3/16	3-3/16
1-5/8									
1-11/16									
1-3/4	3-1/2	5-5/8	3-3/32	4-3/8	1/8	1/2	1-3/16	4-7/16	3-7/16
1-7/8									
1-15/16									
2									
2-3/16	3-3/4	6-1/4	3-9/32	4-7/8	1/8	5/8	1-3/8	4-7/8	3-3/4
2-1/4									
2-7/16	4	6-7/8	3-9/16	5-3/8	3/16	5/8	1-1/2	5-5/16	4-1/16
2-1/2									
2-11/16	4-1/2	7-3/4	3-15/16	6	3/16	3/4	1-5/8	6	4-23/32
2-3/4									
2-15/16									
3									
3-3/16	5	9-1/4	4-1/2	7	1/4	3/4	1-7/8	7-1/4	5-1/2
3-1/4									
3-7/16									
3-1/2									
3-15/16	6-1/4	10-1/4	5-5/8	7-3/4	1/4	7/8	2-1/8	8-1/4	6
4									
4-7/16	6-3/4	10-7/8	5-15/16	8-3/4	11/32	7/8	2-7/16	8-3/4	6-29/64
4-1/2									

NOTE: All sizes use a 1/8-27 NPT hydraulic grease fitting

FEATURES/BENEFITS PAGE B6-2	NOMENCLATURE PAGE B6-4	SELECTION PAGE B6-5	SELECTION/DIMENSIONS PAGE B6-8
--------------------------------	---------------------------	------------------------	-----------------------------------

# SELECTION/DIMENSIONS



## Type E Piloted Flange

D-LOK

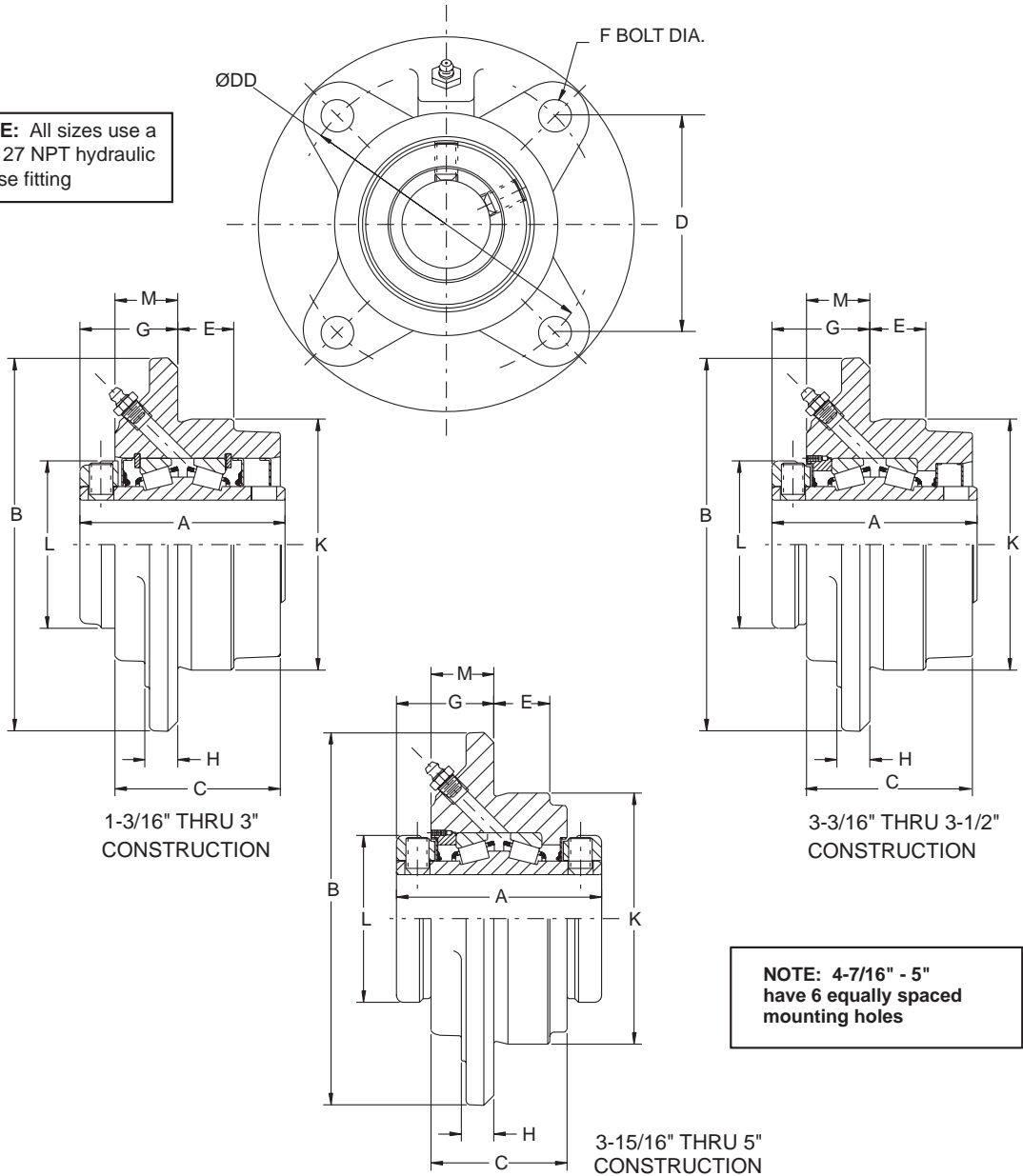
Type E Family

Specialty Tapered

S-2000

UNISPHERE II

**NOTE:** All sizes use a 1/8 - 27 NPT hydraulic grease fitting



**NOTE:** 4-7/16" - 5" have 6 equally spaced mounting holes

FEATURES/BENEFITS PAGE B6-2	NOMENCLATURE PAGE B6-4	SELECTION PAGE B6-5	SELECTION/DIMENSIONS PAGE B6-8
--------------------------------	---------------------------	------------------------	-----------------------------------

# SELECTION/DIMENSIONS



## Type E Piloted Flange

GRAY IRON			
SHAFT SIZE INCHES #	PART NUMBER	PART NAME	WEIGHT LBS (APPROX)
1-3/16	023120	FC-E-103R	5
1-1/4	023121	FC-E-104R	5
1-3/8	023122	FC-E-106R	7
1-7/16	023123	FC-E-107R	6
1-1/2	023124	FC-E-108R	10
1-5/8	023125	FC-E-110R	9
1-11/16	023126	FC-E-111R	9
1-3/4	023127	FC-E-112R	11
1-7/8	023128	FC-E-114R	10
1-15/16	023129	FC-E-115R	10
2	023130	FC-E-200R	10
2-3/16	023131	FC-E-203R	14
2-1/4	023132	FC-E-204R	18
2-7/16	023133	FC-E-207R	18
2-1/2	023134	FC-E-208R	17
2-11/16	023135	FC-E-211R	27
2-3/4	023136	FC-E-212R	27
2-15/16	023137	FC-E-215R	25
3	023138	FC-E-300R	25
3-3/16	023139	FC-E-303R	44
3-1/4	023140	FC-E-304R	44
3-7/16	023141	FC-E-307R	43
3-1/2	023142	FC-E-308R	42
3-15/16	023143	FC-E-315R	59
4	023144	FC-E-400R	58
4-7/16 ##	023145	FC-E-407R	110
4-1/2 ##	023146	FC-E-408R	110
4-15/16 ##	023147	FC-E-415R	130
5 ##	023148	FC-E-500R	130

# Consult DODGE For Sizes Not Listed.

SHAFT SIZE INCHES	A	B	C	D	ØDD	E	F BOLT#	G	H	K**	L	M
1-3/16	2-3/4	5	2-7/32	2.92	4-1/8	3/4	3/8	1-5/16	7/16	3-3/8	2-1/4	27/32
1-1/4												
1-3/8	3	5-1/4	2-15/32	3.09	4-3/8	7/8	3/8	1-1/2	1/2	3-5/8	2-3/4	1-1/32
1-7/16												
1-1/2	3-3/8	6-1/8	2-25/32	3.62	5-1/8	1-1/16	7/16	1-9/16	1/2	4-1/4	3-3/16	1-1/32
1-5/8												
1-11/16												
1-3/4	3-1/2	6-3/8	2-29/32	3.80	5-3/8	1-3/16	7/16	1-9/16	9/16	4-1/2	3-7/16	1-1/32
1-7/8												
1-15/16												
2												
2-3/16	3-3/4	7-1/8	3-3/32	4.24	6	1-3/16	1/2	1-11/16	9/16	5	3-3/4	1-3/32
2-1/4												
2-7/16	4	7-5/8	3-5/16	4.60	6-1/2	1-5/16	1/2	1-13/16	5/8	5-1/2	4-1/16	1-3/16
2-1/2												
2-11/16	4-1/2	8-3/4	3-11/16	5.30	7-1/2	1-1/2	5/8	2	3/4	6-3/8	4-23/32	1-1/4
2-3/4												
2-15/16												
3												
3-3/16	5	10-1/4	4-3/16	6.10	8-5/8	1-1/4	3/4	2-7/16	15/16	7-3/8	5-1/2	1-11/16
3-1/4												
3-7/16												
3-1/2												
3-15/16	6-1/4	10-7/8	4-1/2	6.63	9-3/8	1-1/2	3/4	2-11/16	1	8-1/8	6	1-13/16
4												
4-7/16	6-3/4	13-1/2	4-5/8	##	11-3/4	1-1/2	3/4##	3	1	10-1/4	6-29/64	1-15/16
4-1/2												
4-15/16	7-1/4	14-3/4	5-1/16	##	12-3/4	1-3/4	7/8##	2-31/32	1-1/4	11	7-29/64	1-7/8
5												

\* 1-3/16 To 3-1/2 - One Collar  
3-15/16 To 5, - Two Collars

## (6) BOTS EQUALLY SPACED  
\*\* +.000 -.002

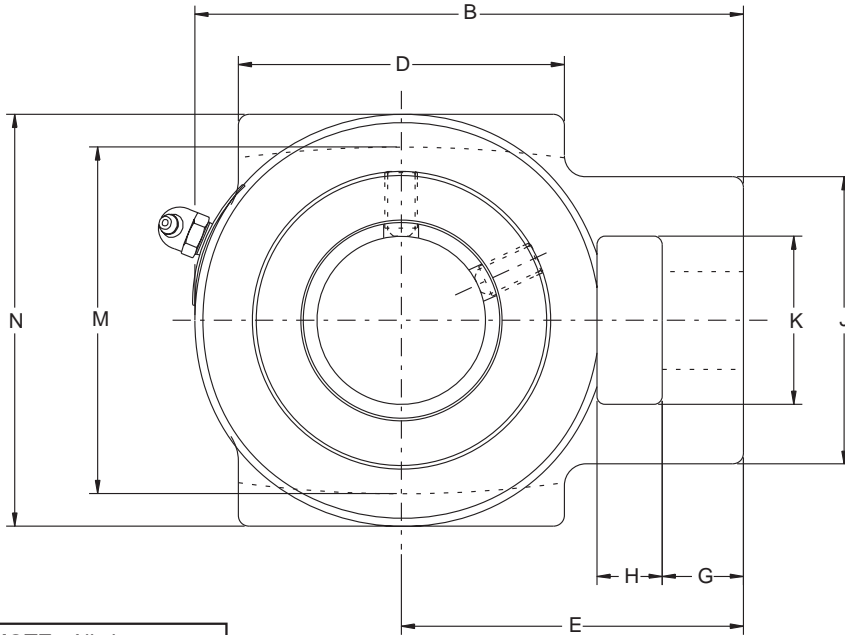
NOTE: All sizes use a 1/8-27 NPT hydraulic grease fitting

FEATURES/BENEFITS PAGE B6-2	NOMENCLATURE PAGE B6-4	SELECTION PAGE B6-5	SELECTION/DIMENSIONS PAGE B6-8
--------------------------------	---------------------------	------------------------	-----------------------------------

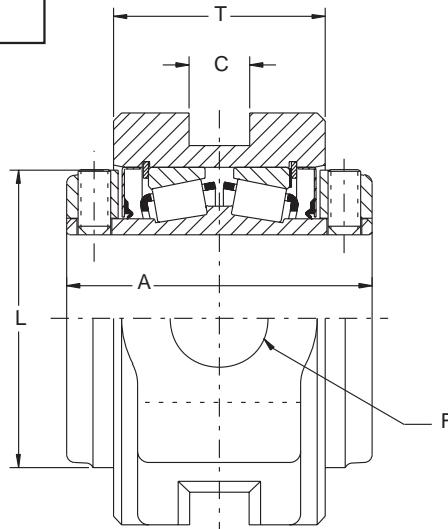
# SELECTION/DIMENSIONS



## Type E Wide Slot Take-Up Unit



**NOTE:** All sizes use a 1/8 - 27 NPT hydraulic grease fitting



1-3/8" THRU 3" CONSTRUCTION

D-LOK

Type E Family

Specialty Tapered

S-2000

UNISPHERE II

FEATURES/BENEFITS PAGE B6-2	NOMENCLATURE PAGE B6-4	SELECTION PAGE B6-5	SELECTION/DIMENSIONS PAGE B6-8
--------------------------------	---------------------------	------------------------	-----------------------------------

# SELECTION/DIMENSIONS



## Type E Wide Slot Take-Up Unit

GRAY IRON				
SHAFT SIZE # Inches	PART NUMBER	PART NAME	WEIGHT LBS (APPROX)	FRAME Δ
1-3/8	<b>023076</b>	WSTU-E-106R	8	CP308
1-7/16	<b>023077</b>	WSTU-E-107R	8	
1-1/2	<b>023078</b>	WSTU-E-108R	10	CP400
1-5/8	<b>023079</b>	WSTU-E-110R	10	
1-11/16	<b>023080</b>	WSTU-E-111R	10	
1-3/4	<b>023081</b>	WSTU-E-112R	12	CP400
1-7/8	<b>023082</b>	WSTU-E-114R	12	
1-15/16	<b>023083</b>	WSTU-E-115R	12	
2	<b>023084</b>	WSTU-E-200R	12	
2-3/16	<b>023085</b>	WSTU-E-203R	16	CP408
2-1/4	<b>023086</b>	WSTU-E-204R	21	CP502
2-7/16	<b>023087</b>	WSTU-E-207R	21	
2-1/2	<b>023088</b>	WSTU-E-208R	21	
2-11/16	<b>023089</b>	WSTU-E-211R	30	CP515
2-3/4	<b>023090</b>	WSTU-E-212R	30	
2-15/16	<b>023091</b>	WSTU-E-215R	30	
3	<b>023092</b>	WSTU-E-300R	30	

# Consult DODGE For Sizes Not Listed.

Δ See page B15-20 for CP Take-Up Frame

SHAFT SIZE INCHES	A	B	C	D	E	F SCREW DIA	G	H	J	K	L	M	N	T
1-3/8 1-7/16	3	5-3/32	17/32	2-3/4	3-7/32	3/4	11/16	5/8	2-7/16	1-7/16	2-3/4	3-1/2	4-1/8	2-1/16
1-1/2 1-5/8 1-11/16	3-3/8	6	11/16	3-1/4	3-13/16	1	15/16	3/4	3-5/16	1-15/16	3-3/16	4	4-3/4	2-5/16
1-3/4 1-7/8 1-15/16 2	3-1/2	6-5/16	11/16	3-3/4	3-15/16	1	15/16	3/4	3-5/16	1-15/16	3-7/16	4	4-3/4	2-7/16
2-3/16	3-3/4	7-1/8	13/16	3-3/4	4-5/8	1-1/8	1	1-1/4	3-7/8	2-1/4	3-3/4	4-1/2	5-1/4	2-9/16
2-1/4 2-7/16 2-1/2	4	7-13/16	1-1/16	4-1/2	5-1/16	1-1/4	1-1/16	1-1/4	4-1/4	2-1/2	4-1/16	5-1/8	6	2-3/4
2-11/16 2-3/4 2-15/16 3	4-1/2	9-1/8	1-13/16	4-3/4	5-7/8	1-1/2	1-1/8	1-1/2	4-7/8	2-3/4	4-23/32	5-15/16	6-3/4	3

**NOTE:** All sizes use a 1/8-27 NPT hydraulic grease fitting

FEATURES/BENEFITS PAGE B6-2	NOMENCLATURE PAGE B6-4	SELECTION PAGE B6-5	SELECTION/DIMENSIONS PAGE B6-8
--------------------------------	---------------------------	------------------------	-----------------------------------



# SELECTION/DIMENSIONS



## Type E TP Take-Up Bearing - Inch

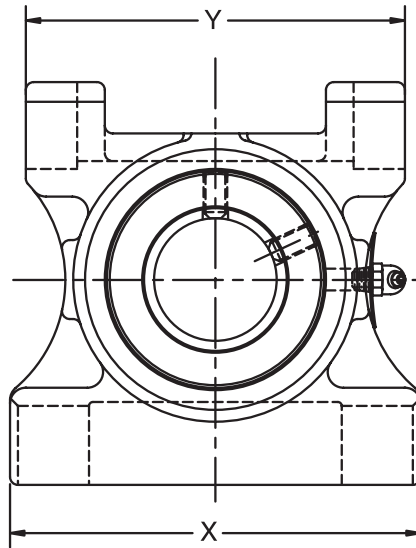
D-LOK

Type E Family

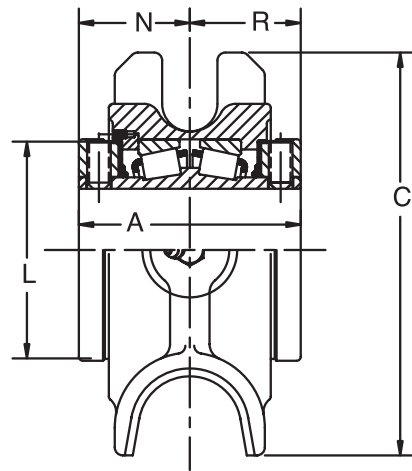
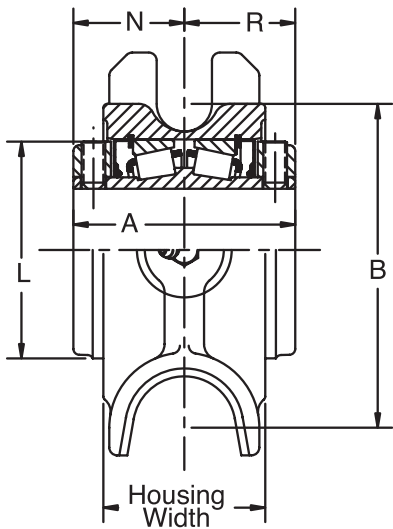
Specialty Tapered

S-2000

UNISPHERE II



**NOTE:** All sizes use a 1/8 - 27 NPT hydraulic grease fitting



Housing Width

FEATURES/BENEFITS PAGE B6-2	NOMENCLATURE PAGE B6-4	SELECTION PAGE B6-5	SELECTION/DIMENSIONS PAGE B6-8
--------------------------------	---------------------------	------------------------	-----------------------------------

# SELECTION/DIMENSIONS



## Type E TP Take-Up Bearing - Inch

GRAY IRON				
SHAFT SIZE INCHES #	PART NUMBER	PART NAME	WEIGHT LBS (APPROX)	FRAME SIZE REF.
1-3/4	<b>023149</b>	TP-E-112R	14	TP10
1-7/8	<b>023150</b>	TP-E-114R	14	TP10
1-15/16	<b>023151</b>	TP-E-115R	14	TP10
2	<b>023152</b>	TP-E-200R	14	TP10
2-3/16	<b>023153</b>	TP-E-203R	16	TP20
2-1/4	<b>023154</b>	TP-E-204R	21	TP30
2-7/16	<b>023155</b>	TP-E-207R	21	TP30
2-1/2	<b>023156</b>	TP-E-208R	21	TP30
2-11/16	<b>023157</b>	TP-E-211R	29	TP40
2-3/4	<b>023158</b>	TP-E-212R	29	TP40
2-15/16	<b>023159</b>	TP-E-215R	29	TP40
3	<b>023160</b>	TP-E-300R	29	TP40
3-3/16	<b>023161</b>	TP-E-303R	43	TP50
3-1/4	<b>023162</b>	TP-E-304R	43	TP50
3-7/16	<b>023163</b>	TP-E-307R	42	TP50
3-1/2	<b>023164</b>	TP-E-308R	42	TP50
3-15/16	<b>023165</b>	TP-E-315R	62	TP60
4	<b>023166</b>	TP-E-400R	62	TP60

# Consult DODGE For Sizes Not Listed.

Shaft Size	A	B	C	L	N	Housing Width	X	Y
1-3/4 1-7/8 1-15/16 2	3-1/2	5-3/16	6-3/8	3-7/16	1-3/4	2-9/16	6-1/2	6
2-3/16	3-3/4	5-13/16	6-7/8	3-3/4	1-7/8	2-9/16	6-3/4	7
2-1/4 2-7/16 2-1/2	4	6-1/4	7-7/16	4-1/16	2	3	7-1/2	7
2-11/16 2-3/4 2-15/16 3	4-1/2	7-3/16	8-5/16	4-23/32	2-1/4	3	8-1/2	8
3-3/16 3-1/4 3-7/16 3-1/2	5	8-5/16	9-5/8	5-1/2	2-1/2	3-3/4	9-1/2	9
3-15/16 4	6-1/4	9-1/16	11	6	3-1/8	4-3/4	11	10-1/2

**NOTE:** All sizes use a 1/8-27 NPT hydraulic grease fitting

FEATURES/BENEFITS PAGE B6-2	NOMENCLATURE PAGE B6-4	SELECTION PAGE B6-5	SELECTION/DIMENSIONS PAGE B6-8
--------------------------------	---------------------------	------------------------	-----------------------------------

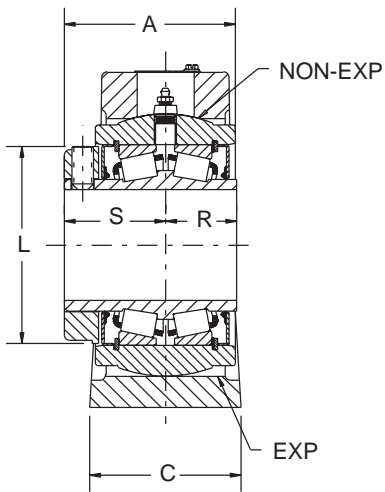
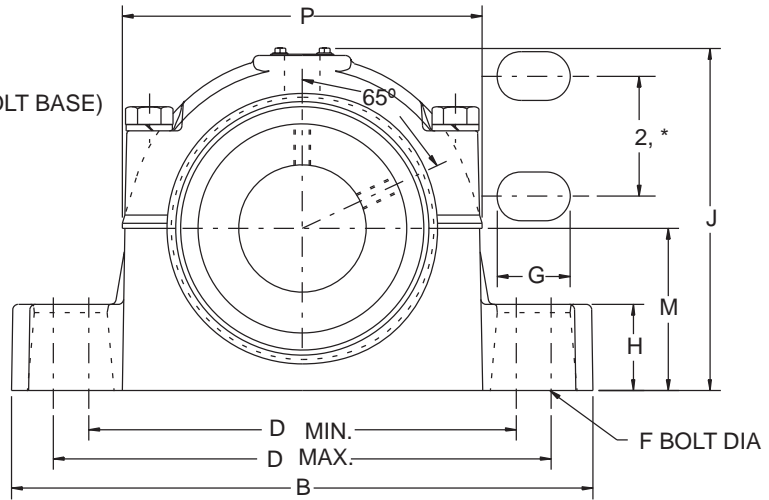
# SELECTION/DIMENSIONS



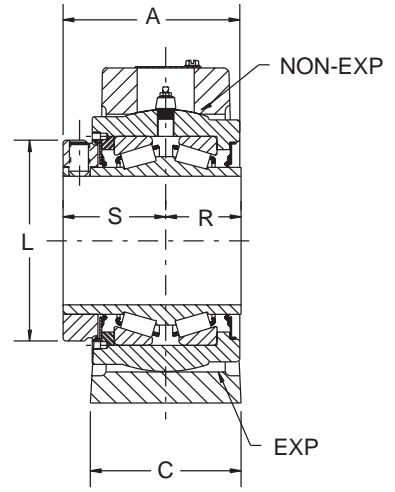
## Type K Pillow Block 2 & 4 BOLT BASE - INCH\*

- \* 1-3/16 THRU 3-1/2 (2 BOLT BASE)
- \* 3-15/16 (4 BOLT BASE)

**NOTE:** All sizes use a 1/8 - 27 NPT hydraulic grease fitting



1-3/16" THRU 3"  
CONSTRUCTION



3-3/16" THRU 3-15/16"  
CONSTRUCTION

D-LOK

Type E Family

Specialty Tapered

S-2000

UNISPHERE II

FEATURES/BENEFITS PAGE B6-2	NOMENCLATURE PAGE B6-4	SELECTION PAGE B6-5	SELECTION/DIMENSIONS PAGE B6-8
--------------------------------	---------------------------	------------------------	-----------------------------------



# SELECTION/DIMENSIONS



## Type K Pillow Block 2 & 4 BOLT BASE - INCH\*

GRAY IRON NON-EXPANSION			
SHAFT SIZE INCHES #	PART NUMBER	PART NAME	WEIGHT LBS (APPROX)
1-3/16	023167	P2B-K-103R	9
1-1/4	023168	P2B-K-104R	9
1-7/16	023170	P2B-K-107R	11
1-1/2	023171	P2B-K-108R	15
1-5/8	023172	P2B-K-110R	14
1-11/16	023173	P2B-K-111R	14
1-3/4	023174	P2B-K-112R	20
1-15/16	023175	P2B-K-115R	19
2	023176	P2B-K-200R	19
2-3/16	023177	P2B-K-203R	24
2-1/4	023178	P2B-K-204R	28
2-7/16	023179	P2B-K-207R	28
2-1/2	023180	P2B-K-208R	28
2-11/16	023181	P2B-K-211R	40
2-3/4	023182	P2B-K-212R	40
2-15/16	023183	P2B-K-215R	39
3	023184	P2B-K-300R	39
3-7/16	023186	P2B-K-307R	67
3-1/2	023187	P2B-K-308R	66
3-15/16 ▲	023188	P4B-K-315R	106

Non-Expansion Furnished Unless Otherwise Specified  
# Consult DODGE For Sizes Not Listed

GRAY IRON EXPANSION			
SHAFT SIZE INCHES #	PART NUMBER	PART NAME	WEIGHT LBS (APPROX)
1-3/16	023189	P2B-K-103RE	9
1-1/4	023190	P2B-K-104RE	9
1-7/16	023192	P2B-K-107RE	11
1-1/2	023193	P2B-K-108RE	15
1-5/8	023194	P2B-K-110RE	14
1-11/16	023195	P2B-K-111RE	14
1-3/4	023196	P2B-K-112RE	20
1-15/16	023197	P2B-K-115RE	19
2	023198	P2B-K-200RE	19
2-3/16	023199	P2B-K-203RE	24
2-1/4	023200	P2B-K-204RE	28
2-7/16	023201	P2B-K-207RE	28
2-1/2	023200	P2B-K-208RE	28
2-11/16	023203	P2B-K-211RE	40
2-3/4	023204	P2B-K-212RE	40
2-15/16	023205	P2B-K-215RE	39
3	023206	P2B-K-300RE	39
3-7/16	023208	P2B-K-307RE	67
3-1/2	023209	P2B-K-308RE	66
3-15/16 ▲	023210	P4B-K-315RE	106

# Consult DODGE For Sizes Not Listed

SHAFT SIZE INCHES	A	B	C	D		F BOLT DIA	G	H	J	L	M	P	R	S	EXP*
				MIN.	MAX.										
1-3/16															
1-1/4	2-9/32	7-1/2	1-7/8	6	6-3/8	3/8	11/16	1	4-17/32	2-1/4	2-1/8	5	1	1-3/8	3/32
1-3/8															
1-7/16	2-35/64	8	2-3/16	6-1/4	6-5/8	1/2	3/4	1-1/4	5-15/64	2-3/4	2-3/8	5-33/64	1-1/32	1-1/2	3/32
1-1/2															
1-5/8	2-53/64	9	2-3/8	6-7/8	7-5/8	1/2	1	1-3/8	5-3/4	3-3/16	2-5/8	5-13/16	1-9/16	1-11/16	3/32
1-11/16															
1-3/4															
1-15/16	2-61/64	10	2-17/32	7-3/8	8-7/16	5/8	1-19/64	1-1/2	6-17/64	3-7/16	2-7/8	6-23/64	1-13/64	1-3/4	9/32
2															
2-3/16	3-5/32	11	2-21/32	8-1/16	9-1/4	5/8	1-21/64	1-1/2	6-33/64	3-3/4	3	6-61/64	1-1/4	1-7/8	9/32
2-1/4															
2-7/16	3-11/32	12	2-13/16	9-1/4	10-1/4	5/8	1-17/64	1-3/4	7-1/32	4-1/16	3-1/4	7-3/8	1-5/16	2	9/32
2-1/2															
2-11/16															
2-3/4	3-25/32	13-7/16	2-15/16	9-7/8	11-1/2	3/4	1-11/16	2	7-59/64	4-23/32	3-3/4	8-5/16	1-7/16	2-1/4	9/32
2-15/16															
3															
3-3/16															
3-7/16	4-17/64	16	3-7/16	12-13/16	13-13/16	7/8	1-1/2	2-1/4	9-27/64	5-1/2	4-1/2	10-3/32	1-11/16	2-1/2	9/32
3-1/2															
3-15/16▲	5-13/32	17-7/16	4-3/4	13-1/8	14-3/4	3/4	1-45/64	2-3/4	10-27/64	6	5	10-45/64	2-1/8	3-1/8	11/32

\*Exp-Total Expansion Divided Equally On Both Sides Of Bearing (Expansion Bearings Only)

NOTE: All sizes use a 1/8-27 NPT hydraulic grease fitting

▲ 4 Bolt Base (See Page For Bolts Spacing)

Dowel Hole Locations For Precision Positioning - See Page -

FEATURES/BENEFITS PAGE B6-2	NOMENCLATURE PAGE B6-4	SELECTION PAGE B6-5	SELECTION/DIMENSIONS PAGE B6-8
--------------------------------	---------------------------	------------------------	-----------------------------------

# SELECTION/DIMENSIONS



## Type K Flange Bearing - Inch

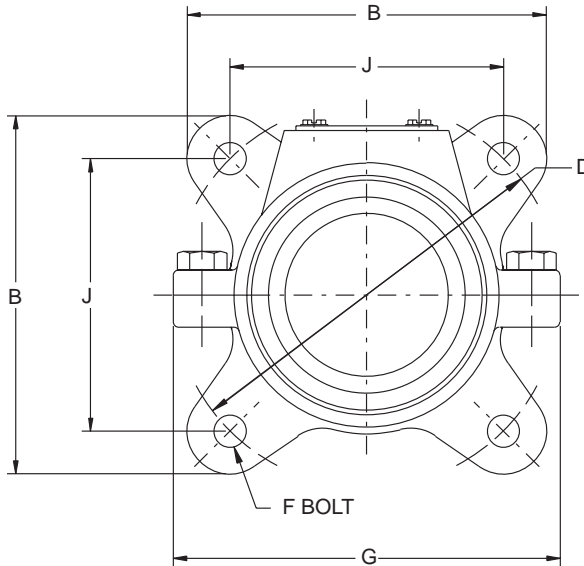
D-LOK

Type E Family

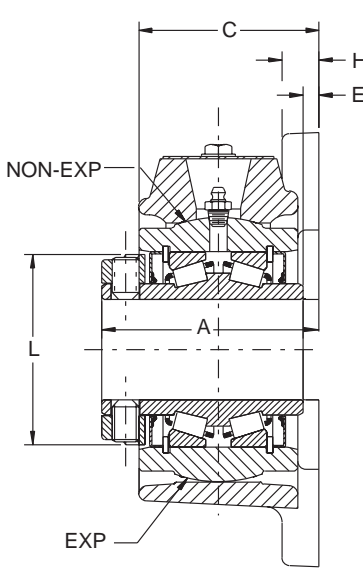
Specialty Tapered

S-2000

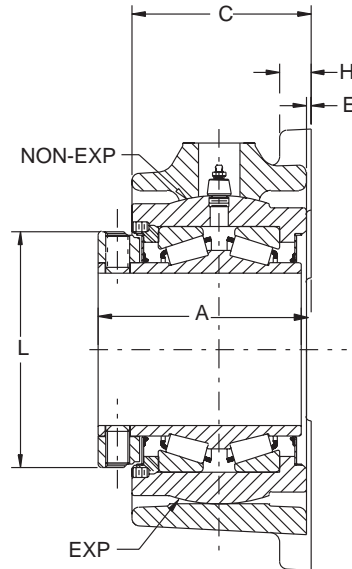
UNISPHERE II



**NOTE:** All sizes use a 1/8 - 27 NPT hydraulic grease fitting



1-3/16" THRU 3" INTERNAL CONSTRUCTION



3-3/16" THRU 3-15/16" INTERNAL CONSTRUCTION

FEATURES/BENEFITS PAGE B6-2	NOMENCLATURE PAGE B6-4	SELECTION PAGE B6-5	SELECTION/DIMENSIONS PAGE B6-8
--------------------------------	---------------------------	------------------------	-----------------------------------

# SELECTION/DIMENSIONS



## Type K Flange Bearing - Inch

DUCTILE IRON - NON-EXPANSION			
SHAFT SIZE INCHES #	PART NUMBER	PART NAME	WEIGHT LBS (APPROX)
1-1/4	023212	F4B-K-104R	6
1-7/16	023214	F4B-K-107R	7
1-1/2	023215	F4B-K-108R	12
1-15/16	023219	F4B-K-115R	14
2	023220	F4B-K-200R	14
2-3/16	023221	F4B-K-203R	17
2-7/16	023223	F4B-K-207R	20
2-1/2	023224	F4B-K-208R	20
2-15/16	023227	F4B-K-215R	24
3	023228	F4B-K-300R	24
3-7/16	023230	F4B-K-307R	45
3-15/16	023232	F4B-K-315R	72

Non-Expansion Furnished Unless Otherwise Specified

# Consult DODGE For Sizes Not Listed.

DUCTILE IRON - EXPANSION			
SHAFT SIZE INCHES #	PART NUMBER	PART NAME	WEIGHT LBS (APPROX)
1-1/4	023234	F4B-K-104RE	6
1-7/16	023236	F4B-K-107RE	7
1-1/2	023237	F4B-K-108RE	12
1-15/16	023241	F4B-K-115RE	14
2	023242	F4B-K-200RE	14
2-3/16	023243	F4B-K-203RE	17
2-7/16	023245	F4B-K-207RE	20
2-1/2	023246	F4B-K-208RE	20
2-15/16	023249	F4B-K-215RE	24
3	023250	F4B-K-300RE	24
3-7/16	023252	F4B-K-307RE	45
3-15/16	023254	F4B-K-315RE	72

# Consult DODGE For Sizes Not Listed.

SHAFT SIZE INCHES	A	B	C	D	E	F Bolt Dia.	G	H	J	L	EXP*
1-3/16											
1-1/4	2-9/16	5-3/16	2-1/8	5-21/32	3/16	3/8	5-1/4	7/16	4	2-1/4	9/32
1-3/8											
1-7/16	2-11/16	5-3/4	2-1/8	6-1/4	5/32	1/2	5-3/4	1/2	4-27/64	2-3/4	3/16
1-1/2											
1-5/8	3	6-1/8	2-7/16	6-3/4	5/32	1/2	6-3/4	1/2	4-25/32	3-3/16	3/16
1-11/16											
1-3/4											
1-15/16	3-1/8	6-7/8	2-9/16	7-1/2	5/32	5/8	7-1/4	9/16	5-5/16	3-7/16	3/16
2											
2-3/16	3-5/16	7-3/16	2-23/32	8	5/32	5/8	7-13/16	9/16	5-21/32	3-3/4	3/16
2-1/4											
2-7/16	3-9/16	7-5/8	2-59/64	8-1/2	1/4	5/8	8-9/16	5/8	6	4-1/16	5/16
2-1/2											
2-11/16											
2-3/4											
2-15/16	4	8-7/8	3-11/32	9-3/4	1/4	3/4	9-1/2	11/16	6-57/64	4-23/32	5/16
3											
3-3/16											
3-7/16	4-1/2	10-1/4	3-23/32	11-1/2	1/4	7/8	11-3/8	3/4	8-1/8	5-1/2	5/16
3-1/2											
3-15/16	5-1/2	11-7/16	4-5/8	13	1/8	1	12-7/8	13/16	9-3/16	6	5/16

\* ExpTotal Expansion Divided Equally On Both Sides Of Bearing (Expansion Bearings Only)

**NOTE:** All sizes use a 1/8-27 NPT hydraulic grease fitting

FEATURES/BENEFITS PAGE B6-2	NOMENCLATURE PAGE B6-4	SELECTION PAGE B6-5	SELECTION/DIMENSIONS PAGE B6-8
--------------------------------	---------------------------	------------------------	-----------------------------------

# SELECTION/DIMENSIONS



## Type K Units - Inch

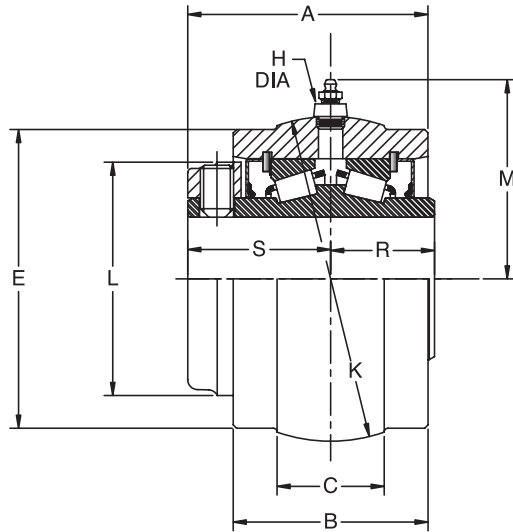
D-LOK

Type E Family

Specialty Tapered

S-2000

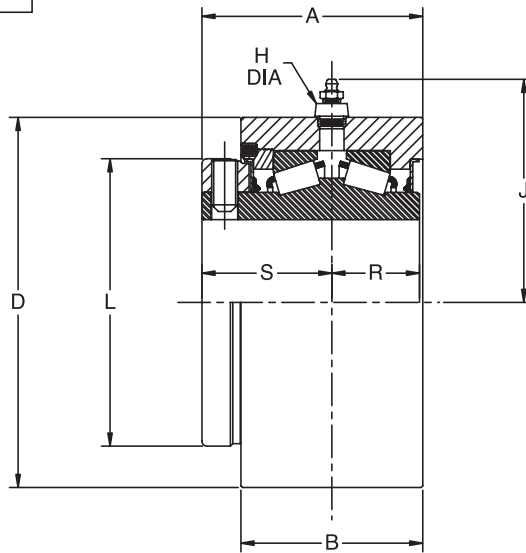
UNISPHERE II



S-1 UNIT

1-3/16" THRU 3" CONSTRUCTION

**NOTE:** All sizes use a 1/8 - 27 NPT hydraulic grease fitting



B-1 UNIT

3-3/16" THRU 3-15/16" CONSTRUCTION

FEATURES/BENEFITS PAGE B6-2	NOMENCLATURE PAGE B6-4	SELECTION PAGE B6-5	SELECTION/DIMENSIONS PAGE B6-8
--------------------------------	---------------------------	------------------------	-----------------------------------

# SELECTION/DIMENSIONS



## Type K Units - Inch

TYPE S-1 UNITS -- GRAY IRON			
SHAFT SIZE INCHES #	PART NUMBER	PART NAME	WEIGHT LBS (APPROX)
1-3/16	023271	S1U-K-103R	3
1-1/4	023272	S1U-K-104R	3
1-3/8	023273	S1U-K-106R	4
1-7/16	023274	S1U-K-107R	4
1-1/2	023275	S1U-K-108R	5
1-5/8	023276	S1U-K-110R	5
1-11/16	023277	S1U-K-111R	5
1-3/4	023278	S1U-K-112R	7
1-15/16	023279	S1U-K-115R	7
2	023280	S1U-K-200R	7
2-3/16	023281	S1U-K-203R	9
2-1/4	023282	S1U-K-204R	11
2-7/16	023283	S1U-K-207R	11
2-1/2	023284	S1U-K-208R	11
2-11/16	023285	S1U-K-211R	15
2-3/4	023286	S1U-K-212R	15
2-15/16	023287	S1U-K-215R	15
3	023288	S1U-K-300R	15
3-3/16	023289	S1U-K-303R	28
3-7/16	023290	S1U-K-307R	28
3-1/2	023291	S1U-K-308R	28
3-15/16	023292	S1U-K-315R	40

# Consult DODGE For Sizes Not Listed.

TYPE B-1 UNITS -- GRAY IRON			
SHAFT SIZE INCHES #	PART NUMBER	PART NAME	WEIGHT LBS (APPROX)
1-3/16	-----	B1U-K-103R	3
1-1/4	-----	B1U-K-104R	3
1-3/8	023293	B1U-K-106R	4
1-7/16	023294	B1U-K-107R	4
1-1/2	023295	B1U-K-108R	5
1-5/8	023296	B1U-K-110R	5
1-11/16	023297	B1U-K-111R	5
1-3/4	023298	B1U-K-112R	7
1-15/16	023299	B1U-K-115R	7
2	023300	B1U-K-200R	7
2-3/16	023301	B1U-K-203R	9
2-1/4	023302	B1U-K-204R	11
2-7/16	023303	B1U-K-207R	11
2-1/2	023304	B1U-K-208R	11
2-11/16	023305	B1U-K-211R	15
2-3/4	023306	B1U-K-212R	15
2-15/16	023307	B1U-K-215R	15
3	023308	B1U-K-300R	15
3-3/16	023309	B1U-K-303R	28
3-7/16	023310	B1U-K-307R	28
3-1/2	023311	B1U-K-308R	28
3-15/16	023312	B1U-K-315R	40

# Consult DODGE For Sizes Not Listed.

SHAFT SIZE INCHES	A	B	C	D *	E%		H	J	K **	L	M	R	S
					MACHINE SIDE	CAST SIDE							
1-3/16													
1-1/4	2-5/16	1-7/8	1-1/32	----	2.813	3-1/8	7/16	----	3.125	2-1/4	2-1/32	1	1-3/8
1-3/8													
1-7/16	2-17/32	2-1/16	1-5/32	3-7/16	3.250	3-5/16	11/16	2-5/8	3.625	2-3/4	2-5/8	1-1/32	1-1/2
1-1/2													
1-5/8	2-27/32	2-5/16	1-3/16	3-15/16	3.750	3-13/16	11/16	2-7/8	4.125	3-3/16	2-13/16	1-5/32	1-11/16
1-11/16													
1-3/4													
1-15/16	2-31/32	2-7/16	1-1/2	4-1/4	4.125	4-3/16	11/16	3	4.562	3-7/16	3-1/16	1-13/64	1-3/4
2													
2-3/16	3-5/32	2-9/16	1-9/16	4-5/8	4.500	4-9/16	11/16	3-1/4	5.000	3-3/4	3-1/4	1-1/4	1-7/8
2-1/4													
2-7/16	3-3/8	2-3/4	1-7/16	5	4.812	4-7/8	11/16	3-7/16	5.186	4-1/16	3-3/8	1-5/16	2
2-1/2													
2-11/16													
2-3/4	3-3/4	3	1-7/8	5-7/8	5.563	5-5/8	11/16	3-7/8	6.061	4-23/32	3-13/16	1-7/16	2-1/4
2-15/16													
3													
3-3/16													
3-7/16	4-1/4	3-1/2	2	7-1/8	6.813	6-7/8	11/16	4-1/2	7.373	5-1/2	4-1/2	1-11/16	2-1/2
3-1/2													
3-15/16	5-3/8	4-1/2	2-3/8	7-7/8	7.438	7-1/2	15/16	5-1/2	7.997	6	5-5/32	2-1/8	3-1/8

\* +.000 -.002,"

\*\* +.000 -.001 SIZES 1-3/16 THRU 3,"

±.0005, SIZES 3-3/16 THRU 3-15/16,"

ALL DIMENSIONS SHOWN IN INCHES

% Machined side of unit is on collar side only.

NOTE: All sizes use a 1/8-27 NPT hydraulic grease fitting

FEATURES/BENEFITS PAGE B6-2	NOMENCLATURE PAGE B6-4	SELECTION PAGE B6-5	SELECTION/DIMENSIONS PAGE B6-8
--------------------------------	---------------------------	------------------------	-----------------------------------



# SELECTION/DIMENSIONS



## Type K Wide Slot Take-Up Unit - Inch

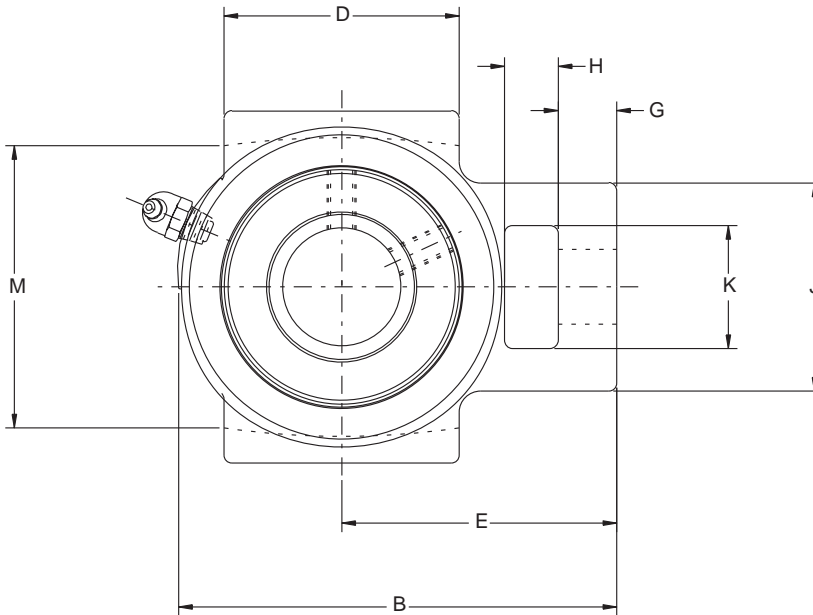
D-LOK

Type E Family

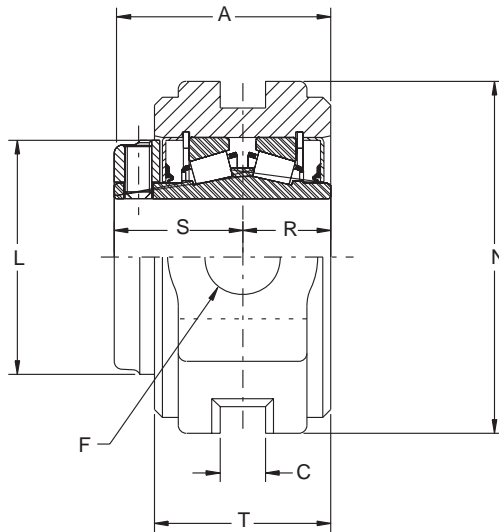
Specialty Tapered

S-2000

UNISPHERE II



**NOTE:** All sizes use a 1/8 - 27 NPT hydraulic grease fitting



1-3/8" THRU 3" CONSTRUCTION

FEATURES/BENEFITS PAGE B6-2	NOMENCLATURE PAGE B6-4	SELECTION PAGE B6-5	SELECTION/DIMENSIONS PAGE B6-8
--------------------------------	---------------------------	------------------------	-----------------------------------

# SELECTION/DIMENSIONS



## Type K Wide Slot Take-Up Unit - Inch

GRAY IRON				
SHAFT SIZE INCHES #	PART NUMBER	PART NAME	WEIGHT LBS (APPROX)	CP FRAME SIZE
1-7/16	023256	WSTU-K-107R	8	CP308
1-15/16	023261	WSTU-K-115R	11	CP400
2-3/16	023263	WSTU-K-203R	15	CP408
2-7/16	023265	WSTU-K-207R	20	CP502
2-1/2	023266	WSTU-K-208R	20	
2-15/16	023269	WSTU-K-215R	28	CP515
3	023270	WSTU-K-300R	28	

# Consult DODGE For Sizes Not Listed.

SHAFT SIZE Inches	A	B	C	D	E	F SCREW DIA	G	H	J	K	L	M	N	R	S	T
1-7/16	2-17/32	5-3/32	17/32	2-3/4	3-7/32	3/4	11/16	5/8	2-7/16	1-7/16	2-3/4	3-1/2	4-1/8	1-1/32	1-1/2	2-1/16
1-15/16	2-31/32	6-5/16	11/16	3-3/4	3-15/16	1	15/16	3/4	3-5/16	1-15/16	3-7/16	4	4-3/4	1-13/64	1-3/4	2-7/16
2-3/16	3-5/32	7-1/8	13/16	3-3/4	4-5/8	1-1/8	1	1-1/4	3-7/8	2-1/4	3-3/4	4-1/2	5-1/4	1-1/4	1-7/8	2-9/16
2-7/16	3-3/8	7-13/16	1-1/16	4-1/2	5-1/16	1-1/2	1-1/16	1-1/4	4-1/4	2-1/2	4-1/16	5-1/8	6	1-5/16	2	2-3/4
2-1/2																
2-15/16 3	3-3/4	9-1/8	1-13/16	4-3/4	5-7/8	1-1/2	1-3/8	1-1/2	4-7/8	2-3/4	4-23/32	5-15/16	6-3/4	1-7/16	2-1/4	3

**NOTE:** All sizes use a 1/8-27 NPT hydraulic grease fitting

FEATURES/BENEFITS PAGE B6-2	NOMENCLATURE PAGE B6-4	SELECTION PAGE B6-5	SELECTION/DIMENSIONS PAGE B6-8
--------------------------------	---------------------------	------------------------	-----------------------------------

# SELECTION/DIMENSIONS



## Type K TP Take-Up Bearing - Inch

D-LOK

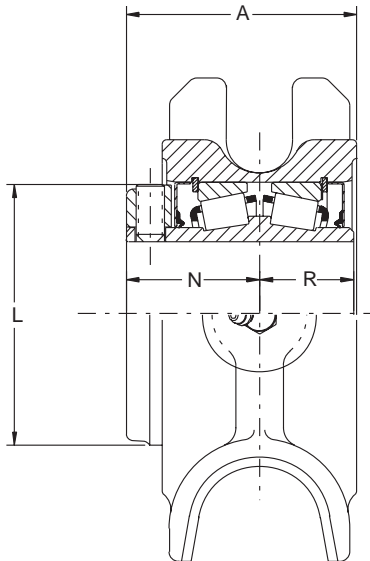
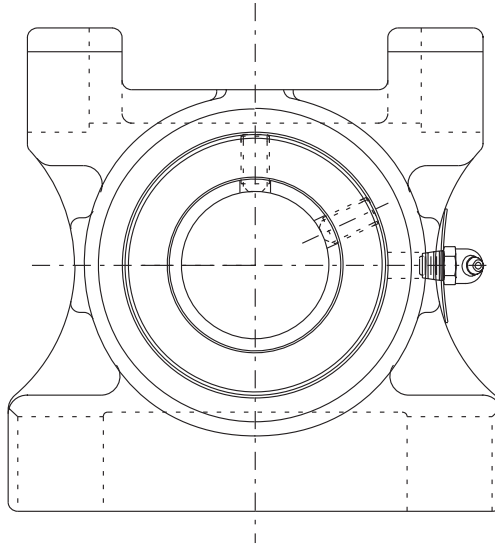
Type E Family

Specialty Tapered

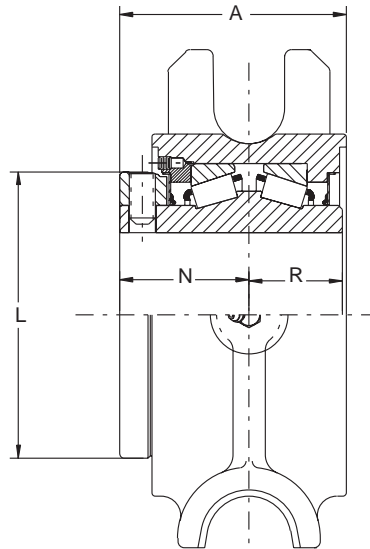
S-2000

UNISPHERE II

**NOTE:** All sizes use a 1/8 - 27 NPT hydraulic grease fitting



1-3/16" THRU 3" INTERNAL CONSTRUCTION



3-3/16" THRU 3-15/16" INTERNAL CONSTRUCTION

FEATURES/BENEFITS PAGE B6-2	NOMENCLATURE PAGE B6-4	SELECTION PAGE B6-5	SELECTION/DIMENSIONS PAGE B6-8
--------------------------------	---------------------------	------------------------	-----------------------------------



# SELECTION/DIMENSIONS



## Type K TP Take-Up Bearing - Inch

GRAY IRON			
SHAFT SIZE INCHES #	PART NUMBER	PART NAME	WEIGHT LBS (APPROX)
1-15/16	023314	TP-K-115R	13
2-3/16	023316	TP-K-203R	16
2-7/16	023318	TP-K-207R	20
2-15/16	023322	TP-K-215R	27
3-7/16	023325	TP-K-307R	40
3-15/16	023327	TP-K-315R	59

# Consult DODGE For Sizes Not Listed.

SHAFT SIZE INCHES	FRAME SIZE REF.	A	L	N	R
1-15/16	TP10	3-1/32	3-7/16	1-3/4	1-7/32
2-3/16	TP20	3-3/16	3-3/4	1-7/8	1-1/4
2-7/16	TP30	3-1/2	4-1/16	2	1-5/16
2-15/16	TP40	3-3/4	4-23/32	2-1/4	1-7/16
3-7/16	TP50	4-9/32	5-1/2	2-13/32	1-25/32
3-15/16	TP60	5-1/2	6	3-1/8	2-1/8

**NOTE:** All sizes use a 1/8-27 NPT hydraulic grease fitting

D-LOK

Type E Family

Speciality Tapered

S-2000

UNISPHERE II

FEATURES/BENEFITS PAGE B6-2	NOMENCLATURE PAGE B6-4	SELECTION PAGE B6-5	SELECTION/DIMENSIONS PAGE B6-8
--------------------------------	---------------------------	------------------------	-----------------------------------

# SELECTION/DIMENSIONS



## DOUBLE-INTERLOCK Pillow Block - Inch 2-BOLT BASE

D-LOK

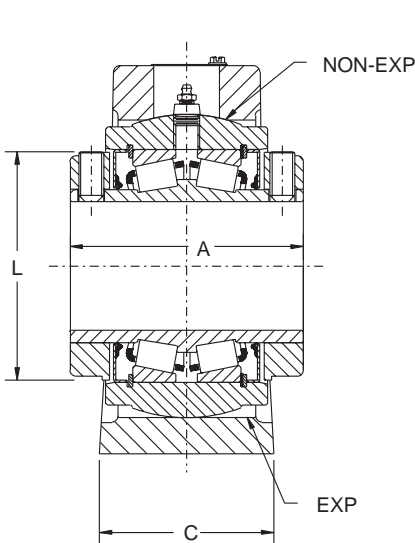
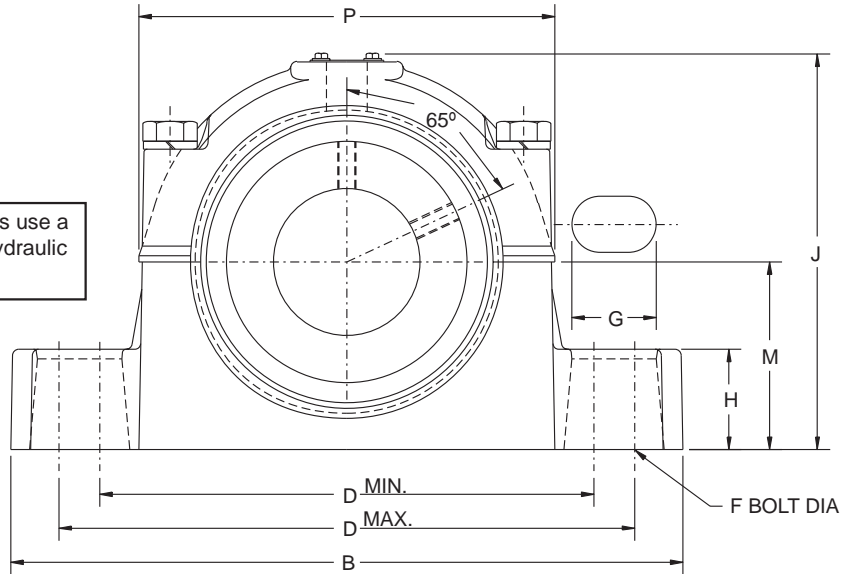
Type E Family

Specialty Tapered

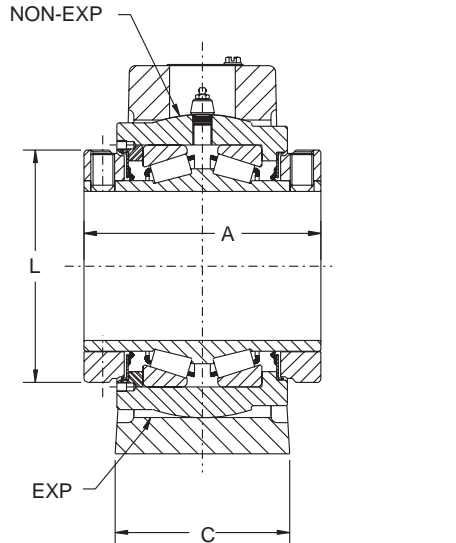
S-2000

UNISPHERE II

**NOTE:** All sizes use a 1/8 - 27 NPT hydraulic grease fitting



1-3/16" THRU 3" CONSTRUCTION



3-3/16" THRU 3-1/2" CONSTRUCTION

FEATURES/BENEFITS PAGE B6-2	NOMENCLATURE PAGE B6-4	SELECTION PAGE B6-5	SELECTION/DIMENSIONS PAGE B6-8
--------------------------------	---------------------------	------------------------	-----------------------------------

# SELECTION/DIMENSIONS



## DOUBLE-INTERLOCK Pillow Block - Inch 2-BOLT BASE

GRAY IRON NON-EXPANSION					
SHAFT SIZE INCHES#	SHAFT SIZE SYMBOL	PILLOW BLOCK ASSY	HOUSING ONLY	BEARING INNER UNIT	PIL. BLK. WT., APRX LBS
1-1/4	104	023329	056130	023508	9
1-3/8	106	023330	056132	023509	11
1-7/16	107	023331	056132	023510	11
1-1/2	108	023332	056134	023511	15
1-5/8	110	023333	056134	023512	15
1-11/16	111	023334	056134	023513	15
1-3/4	112	023335	056136	023514	18
1-15/16	115	023337	056136	023516	17
2	200	023338	056136	023517	17
2-3/16	203	023339	056138	023518	25
2-1/4	204	023340	056140	023519	29
2-7/16	207	023341	056140	023520	26
2-1/2	208	023342	056140	023521	26
2-11/16	211	023343	056142	023522	41
2-3/4	212	023344	056142	023523	41
2-15/16	215	023345	056142	023524	40
3	300	023346	056142	023525	40
3-3/16	303	023347	056144	023526	67
3-7/16	307	023349	056144	023528	66
3-1/2	308	023350	056144	023529	66

Description = P2B-DI-207R For 2-7/16" Size

# Consult DODGE For Sizes Not Listed.

Non-Expansion Furnished Unless Otherwise Specified

GRAY IRON EXPANSION					
SHAFT SIZE INCHES#	SHAFT SIZE SYMBOL	PILLOW BLOCK ASSY	HOUSING ONLY	BEARING INNER UNIT	PIL. BLK. WT., APRX LBS
1-1/4	104	023376	056100	023508	9
1-3/8	106	023377	056102	023509	11
1-7/16	107	023378	056102	023510	11
1-1/2	108	023379	056104	023511	15
1-5/8	110	023380	056104	023512	15
1-11/16	111	023381	056104	023513	15
1-3/4	112	023382	056106	023514	18
1-15/16	115	023384	056106	023516	17
2	200	023385	056106	023517	17
2-3/16	203	023386	056108	023518	22
2-1/4	204	023387	056110	023519	29
2-7/16	207	023388	056110	023520	26
2-1/2	208	023389	056110	023521	26
2-11/16	211	023390	056112	023522	42
2-3/4	212	023391	056112	023523	42
2-15/16	215	023392	056112	023524	41
3	300	023393	056112	023525	41
3-3/16	303	023394	056114	023526	69
3-7/16	307	023396	056114	023528	68
3-1/2	308	023397	056114	023529	68

Description = P2B-DI-207RE For 2-7/16" Size

# Consult DODGE For Sizes Not Listed.

SHAFT SIZE INCHES	A	B	C	D		F BOLT DIA.	G	H	J	L	M	P	EXP*
				MIN.	MAX.								
1-1/4	2-3/4	7-1/2	1-7/8	6	6-3/8	3/8	43/64	1	4-17/32	2-1/4	2-1/8	5	3/32
1-3/8	3	8	2-3/16	6-1/4	6-5/8	1/2	3/4	1-1/4	5-15/64	2-3/4	2-3/8	5-33/64	3/32
1-7/16													
1-1/2	3-3/8	9	2-3/8	6-7/8	7-5/8	1/2	1	1-3/8	5-3/4	3-3/16	2-5/8	5-13/16	3/32
1-5/8													
1-11/16													
1-3/4	3-1/2	10	2-17/32	7-3/8	8-7/16	5/8	1-19/64	1-1/2	6-17/64	3-7/16	2-7/8	6-23/64	9/32
1-15/16													
2	3-3/4	11	2-21/32	8-1/16	9-1/4	5/8	1-21/64	1-1/2	6-33/34	3-3/4	3	6-31/32	9/32
2-3/16													
2-1/4													
2-7/16	4	12	2-13/16	9-17/64	10-1/4	5/8	1-17/64	1-3/4	7-1/32	4-1/16	3-1/4	7-3/8	9/32
2-1/2													
2-11/16													
2-3/4	4-1/2	13-7/16	2-15/16	9-7/8	11-1/2	3/4	1-11/16	2	7-59/64	4-23/32	3-3/4	8-5/16	9/32
2-15/16													
3													
3-3/16	5	16	3-7/16	12-13/16	13-13/16	7/8	1-1/2	2-1/4	9-27/64	5-1/2	4-1/2	10-3/32	9/32
3-7/16													
3-1/2													

\* EXP - Total Expansion Divided Equally On Both Sides Of Bearing (Expansion Bearings Only)

Dowel Hole Locations For Precision Positioning - See Page -

NOTE: All sizes use a 1/8-27 NPT hydraulic grease fitting

FEATURES/BENEFITS PAGE B6-2	NOMENCLATURE PAGE B6-4	SELECTION PAGE B6-5	SELECTION/DIMENSIONS PAGE B6-8
--------------------------------	---------------------------	------------------------	-----------------------------------

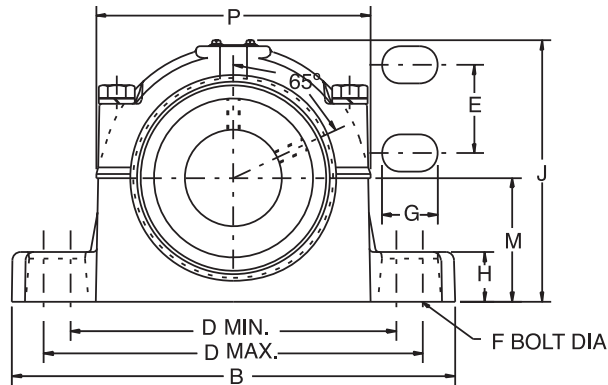


# SELECTION/DIMENSIONS

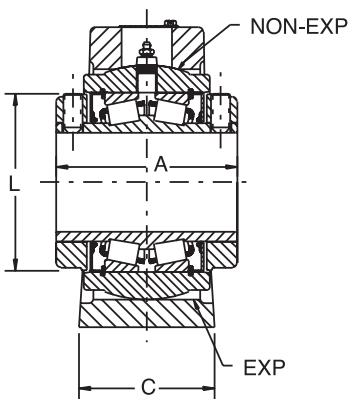


## DOUBLE-INTERLOCK Pillow Block - Inch 4-BOLT BASE

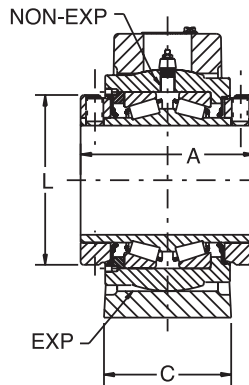
**NOTE:** All sizes use a 1/8 - 27 NPT hydraulic grease fitting



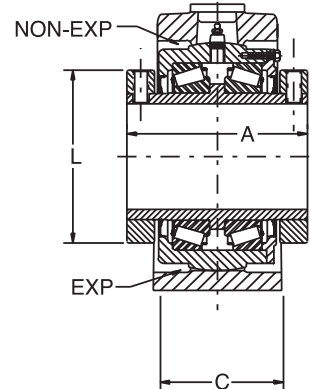
2-7/16" THRU 5"  
CONSTRUCTION



2-7/16" THRU 3"  
CONSTRUCTION



3-7/16" THRU 5"  
CONSTRUCTION



5-7/16" THRU 5-15/16"  
CONSTRUCTION

FEATURES/BENEFITS  
PAGE B6-2

NOMENCLATURE  
PAGE B6-4

SELECTION  
PAGE B6-5

SELECTION/DIMENSIONS  
PAGE B6-8

# SELECTION/DIMENSIONS



## DOUBLE-INTERLOCK Pillow Block - Inch 4-BOLT BASE

GRAY IRON NON EXPANSION					
SHAFT SIZE INCHES#	SHAFT SIZE SYMBOL	PILLOW BLOCK ASSY	HOUSING ONLY	BEARING INNER UNIT	PIL. BLK. WT., APRX LBS
2-7/16	207	023352	060745	023520	28
2-1/2	208	023353	060745	023521	28
2-11/16	211	023354	060747	023522	38
2-15/16	215	023356	060747	023524	38
3	300	023357	060747	023525	38
3-7/16	307	023360	060749	023528	69
3-1/2	308	023361	060749	023529	69
3-15/16	315	023362	060751	023530	109
4	400	023363	060751	023531	109
4-7/16	407	023364	060753	023532	139
4-1/2	408	023365	060753	023533	135
4-15/16	415	023366	060755	023534	183
5	500	023367	060755	023535	181
5-7/16	507	023368	060579	023536	310
5-15/16	515	023369	060579	023537	299

GRAY IRON EXPANSION					
SHAFT SIZE INCHES#	SHAFT SIZE SYMBOL	PILLOW BLOCK ASSY	HOUSING ONLY	BEARING INNER UNIT	PIL. BLK. WT., APRX LBS
2-7/16	207	023399	060746	023520	28
2-1/2	208	023400	060746	023521	28
2-11/16	211	023401	060748	023522	38
2-15/16	215	023403	060748	023524	38
3	300	023404	060748	023525	38
3-7/16	307	023407	060750	023528	69
3-1/2	308	023408	060750	023529	69
3-15/16	315	023409	060752	023530	110
4	400	023410	060752	023531	110
4-7/16	407	023411	060754	023532	139
4-1/2	408	023412	060754	023533	135
4-15/16	415	023413	060756	023534	181
5	500	023414	060756	023535	179
5-7/16	507	023415	060578	023536	310
5-15/16	515	023416	060578	023537	299

Non-Expansion Furnished Unless Otherwise Specified

# Consult DODGE For Sizes Not Listed.

SHAFT SIZE INCHES	A	B	C	D		E	F BOLT DIA	G	H	J	L	M	P	EXP*
				MIN.	MAX.									
2-7/16	4	12	3-3/8	9-17/64	10-1/4	1-3/4	1/2	1-1/16	1-3/4	7-1/32	4-1/16	3-1/4	7-3/8	9/32
2-1/2				9-7/8	11-1/2									
2-11/16	4-1/2	13-7/16	3-1/2	9-7/8	11-1/2	1-7/8	5/8	1-9/16	2	7-59/64	4-23/32	3-3/4	8-5/16	9/32
2-15/16														
3	5	16	4	12-13/16	13-13/16	2	3/4	1-29/64	2-1/4	9-27/64	5-1/2	4-1/2	10-3/32	9/32
3-7/16														
3-1/2	6-3/4	19	4-5/8	14-3/8	16-1/4	2-1/4	3/4	1-13/16	3	11-37/64	6-29/64	5-3/4	12-29/64	11/32
3-15/16														
4	9	23-11/16	6-1/4	19	20-5/8	3	1	1-15/16	3-1/2	14-19/32	9-3/8	7-1/8	15-1/8	1/2
4-7/16														
4-1/2	7-1/4	20-1/2	5-1/8	15-1/2	18-1/16	2-1/2	7/8	2-9/32	3-1/4	12-53/64	7-29/64	6-1/4	13-23/64	11/32
4-15/16														
5	9	23-11/16	6-1/4	19	20-5/8	3	1	1-15/16	3-1/2	14-19/32	9-3/8	7-1/8	15-1/8	1/2
5-7/16														
5-15/16	9	23-11/16	6-1/4	19	20-5/8	3	1	1-15/16	3-1/2	14-19/32	9-3/8	7-1/8	15-1/8	1/2

\*EXP - Total Expansion Divided Equally On Both Sides Of Bearing (Expansion Bearings Only) **NOTE:** All sizes use a 1/8-27 NPT hydraulic grease fitting  
Dowel Hole Locations For Precision Positioning - See Page -

FEATURES/BENEFITS PAGE B6-2	NOMENCLATURE PAGE B6-4	SELECTION PAGE B6-5	SELECTION/DIMENSIONS PAGE B6-8
--------------------------------	---------------------------	------------------------	-----------------------------------

# SELECTION/DIMENSIONS



## DOUBLE-INTERLOCK Flange Bearing - Inch

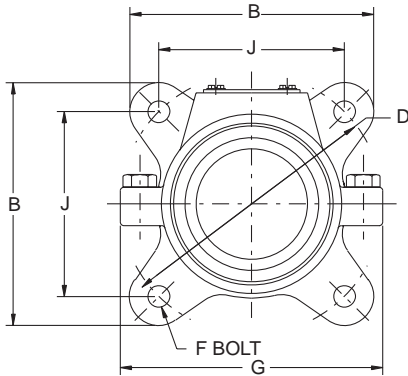
D-LOK

Type E Family

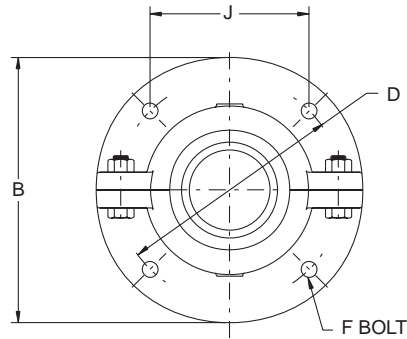
Specialty Tapered

S-2000

UNISPHERE II

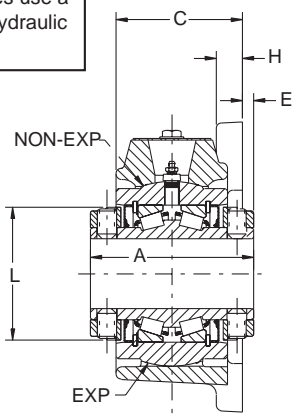


1-3/16" THRU 4" EXTERNAL CONSTRUCTION

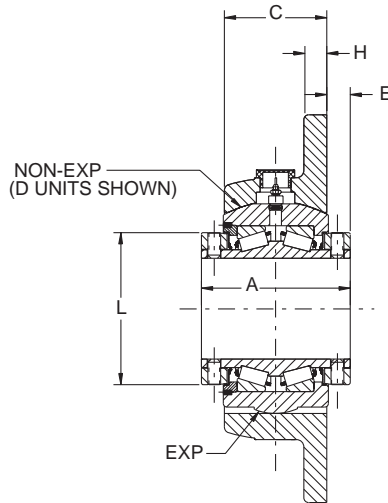


4-7/16" THRU 5" EXTERNAL CONSTRUCTION

**NOTE:** All sizes use a 1/8 - 27 NPT hydraulic grease fitting



1-3/16" THRU 3" INTERNAL CONSTRUCTION



3-3/16" THRU 5" INTERNAL CONSTRUCTION OF UNIT

\* 4-7/16", 4-1/2", 4-15/16" & 5"  
NON-EXPANSION HOUSINGS USE THE D UNIT  
ALL OTHER HOUSING EXPANSION & NON-EXPANSION USE THE S1 UNIT

FEATURES/BENEFITS PAGE B6-2	NOMENCLATURE PAGE B6-4	SELECTION PAGE B6-5	SELECTION/DIMENSIONS PAGE B6-8
--------------------------------	---------------------------	------------------------	-----------------------------------

# SELECTION/DIMENSIONS



## DOUBLE-INTERLOCK Flange Bearing - Inch

DUCTILE IRON NON-EXPANSION			
SHAFT SIZE INCHES #	PART NUMBER	PART NAME	WEIGHT LBS (APPROX)
1-7/16	023425	F4B-DI-107R	9
1-15/16	023431	F4B-DI-115R	15
2	023432	F4B-DI-200R	15
2-3/16	023433	F4B-DI-203R	19
2-7/16	023435	F4B-DI-207R	22
2-1/2	023436	F4B-DI-208R	22
2-15/16	023439	F4B-DI-215R	32
3	023440	F4B-DI-300R	31
3-7/16	023443	F4B-DI-307R	53
3-15/16	023445	F4B-DI-315R	82
4-7/16 ◊	023447	F4B-DI-407R	158
4-1/2 ◊	023448	F4B-DI-408R	158
4-15/16 ◊	023449	F4B-DI-415R	220

DUCTILE IRON EXPANSION			
SHAFT SIZE INCHES #	PART NUMBER	PART NAME	WEIGHT LBS (APPROX)
1-7/16	023454	F4B-DI-107RE	9
1-15/16	023460	F4B-DI-115RE	15
2	023461	F4B-DI-200RE	15
2-3/16	023462	F4B-DI-203RE	19
2-7/16	023464	F4B-DI-207RE	22
2-1/2	023465	F4B-DI-208RE	22
2-15/16	023468	F4B-DI-215RE	32
3	023469	F4B-DI-300RE	31
3-7/16	023472	F4B-DI-307RE	53
3-15/16	023474	F4B-DI-315RE	82
4-7/16 ◊	023476	F4B-DI-407RE	158
4-1/2 ◊	023477	F4B-DI-408RE	158
4-15/16 ◊	023478	F4B-DI-415RE	220

Non-Expansion Furnished Unless Otherwise Specified

# Consult DODGE For Sizes Not Listed.

◊ 4-7/16" - 5" Housings Are Made Of Cast Iron

SHAFT SIZE INCHES	A	B	C	D	E	F Bolt Dia.	G	H	J	L
1-7/16	3	5-3/4	2-1/8	6-1/4	5/16	1/2	5-3/4	1/2	4-27/64	2-3/4
1-15/16	3-1/2	6-7/8	2-9/16	7-1/2	3/8	5/8	7-1/4	9/16	5-5/16	3-7/16
2	3-3/4	7-3/16	2-23/32	8	7/16	5/8	7-13/16	9/16	5-21/32	3-3/4
2-3/16	4	7-5/8	2-15/16	8-1/2	7/16	5/8	8-9/16	5/8	6	4-1/16
2-7/16	4-1/2	8-7/8	3-11/32	9-3/4	1/2	3/4	9-1/2	11/16	6-57/64	4-23/32
2-1/2	5	10-1/4	3-23/32	11-1/2	1/2	7/8	11-3/8	3/4	8-1/8	5-1/2
2-15/16	6-1/4	11-7/16	4-5/8	13	3/4	1	12-7/8	13/16	9-3/16	6
3	6-3/4	17-3/4	4-5/8	15	1-1/16	1	-----	1	10-39/64	6-29/64
3-7/16	7-1/4	19	5	16	1-1/8	1-1/8	-----	1-1/8	11-5/16	7-29/64
3-15/16										
4-7/16										
4-1/2										
4-15/16										

**NOTE:** All sizes use a 1/8-27 NPT hydraulic grease fitting

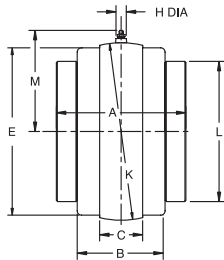
FEATURES/BENEFITS PAGE B6-2	NOMENCLATURE PAGE B6-4	SELECTION PAGE B6-5	SELECTION/DIMENSIONS PAGE B6-8
--------------------------------	---------------------------	------------------------	-----------------------------------



# SELECTION/DIMENSIONS



## DOUBLE-INTERLOCK Units - Inch



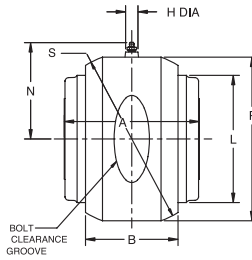
**S-1 UNIT**

**Pillow Block**

S-1 units are used in expansion and non-expansion pillow block housings

**Flange**

S-1 unit is used in expansion flange housings and non-expansion flange housings for 1-3/16 - 4"

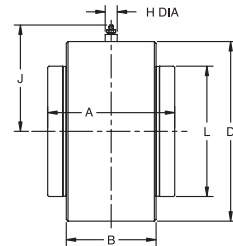


**D UNIT**

**Flange**

D units are used in non-expansion flange housings

- 4-7/16 - 5" bore size
- Formerly used in DOUBLE-INTERLOCK non-expansion flange bearing and pillow blocks thru 5 bore size prior to '78



**B-1 UNIT**

B-1 units can only be used in a customer manufactured housing and are often mounted in machines where bored holes can be provided. B-1 units can be used either as a non-expansion or expansion bearing by providing a suitable means of locating the unit axially. B-1 units will handle slight misalignment requirements. Shaft must be supported by another unit or bearing. For mounting in rotating wheels the Type C

B-1 units is preferred or consult the factory.

SHAFT SIZE INCHES	A	B	C	σ D	E		H	J	K	L	M	N	P	S
					MACH. SIDE	CAST SIDE								
1-3/16 1-1/4	2-3/4	1-7/8	1-1/32	3	2.813	2-9/32	**	2.42	3.125 •	2-1/4	2.03	---	---	---
1-3/8 1-7/16	3	2-1/16	1-5/32	3-7/16	3.250	3-5/16	11/16	2.54	3.625 •	2-3/4	2.64	2-7/8	3-5/8	3.844 •
1-1/2 1-5/8 1-11/16	3-3/8	2-5/16	1-3/16	3-15/16	3.750	3-13/16	11/16	2.79	4.125 •	3-3/16	2.89	3-1/8	4-3/32	4.344 •
1-3/4 1-7/8 1-15/16 2	3-1/2	2-7/16	1-1/2	4-1/4	4.125	4-3/16	11/16	2.95	4.562 •	3-7/16	3.10	3-1/4	4-7/16	4.656 •
2-3/16 2-1/4 2-7/16 2-1/2	3-3/4	2-9/16	1-9/16	45/8	4.500	4-5/8	11/16	3.13	5.000 •	3-3/4	3.32	3-7/16	4-23/32	5.000 •
2-11/16 2-3/4 2-15/16 3	4-1/2	3	1-7/8	5-7/8	5.563	5-5/8	11/16	3.76	6.061 •	4-23/32	3.85	4	5-13/16	6.094 •
3-3/16 3-1/4 3-7/16 3-1/2	5	3-1/2	2	7-1/8	6.813	6-7/8	11/16	4.38	7.373#	5-1/2	4.51	4-11/16	7-7/32	7.500 ^
3-15/16 4	6-1/4	4-1/2	2-3/8	7-7/8	7.438	7-1/2	*	5.48	7.997#	6	5.16	5-1/8	8-1/8	8.375 ^
4-7/16 4-1/2	6-3/4	4-5/8	2-3/8	8-3/4	8.313	8-3/8	*	5.91	8.872#	6-29/64	5.60	5-1/2	8-7/8	9.125 ^
4-15/16 5	7-1/4	5-1/8	2-7/8	10-1/8	9.563	9-5/8	*	6.6	10.184#	7-29/64	6.26	6-3/16	10-1/4	10.500 ^
5-7/16 5-15/16 6	9	6-1/16	2-7/8	---	11.188	11-3/16	15/16	---	11.874	9-3/8	7.10	---	---	---
6-7/16 6-1/2 6-15/16 7	10-1/2	7-1/8	3	---	13.25	13-1/4	15/16	---	14.248	11-3/8	8.29	---	---	---

\* 11/16" DIA ON D UNITS; 15/16" ON S-1 UNITS AND 3/4 HEX ON B-1 UNITS

\*\* 11/16" DIA ON B-1 UNITS; 7/16" DIA ON S-1 UNITS

• +.000 TO .001"  
# ±.0005"

σ +.000 TO -.002"  
+.000 TO -.003"

FEATURES/BENEFITS PAGE B6-2	NOMENCLATURE PAGE B6-4	SELECTION PAGE B6-5	SELECTION/DIMENSIONS PAGE B6-8
--------------------------------	---------------------------	------------------------	-----------------------------------



# SELECTION/DIMENSIONS



## DOUBLE-INTERLOCK Units - Inch

"S-1" UNITS -- GRAY IRON			
1-3/16" thru 3"			
SHAFT SIZE INCHES #	PART NUMBER	PART NAME	WEIGHT LBS (APPROX)
1-3/16	023507	S1U-DI-103R	3
1-1/4	023508	S1U-DI-104R	4
1-3/8	023509	S1U-DI-106R	5
1-7/16	023510	S1U-DI-107R	5
1-1/2	023511	S1U-DI-108R	7
1-5/8	023512	S1U-DI-110R	7
1-11/16	023513	S1U-DI-111R	7
1-3/4	023514	S1U-DI-112R	8
1-7/8	023515	S1U-DI-114R	8
1-15/16	023516	S1U-DI-115R	8
2	023517	S1U-DI-200R	8
2-3/16	023518	S1U-DI-203R	10
2-1/4	023519	S1U-DI-204R	12
2-7/16	023520	S1U-DI-207R	11
2-1/2	023521	S1U-DI-208R	11
2-11/16	023522	S1U-DI-211R	18
2-3/4	023523	S1U-DI-212R	17
2-15/16	023524	S1U-DI-215R	17
3	023525	S1U-DI-300R	17

# Consult DODGE For Sizes Not Listed.

"D" UNITS -- GRAY IRON			
SHAFT SIZE INCHES #	PART NUMBER	PART NAME	WEIGHT LBS (APPROX)
1-3/16	-----	DU-DI-103R	-----
1-1/4	-----	DU-DI-104R	-----
1-3/8	023480	DU-DI-106R	5
1-7/16	023481	DU-DI-107R	5
1-1/2	023482	DU-DI-108R	8
1-5/8	023483	DU-DI-110R	7
1-11/16	023484	DU-DI-111R	7
1-3/4	023485	DU-DI-112R	8
1-7/8	023486	DU-DI-114R	8
1-15/16	023487	DU-DI-115R	8
2	023488	DU-DI-200R	8
2-3/16	023489	DU-DI-203R	9
2-1/4	023490	DU-DI-204R	12
2-7/16	023491	DU-DI-207R	12
2-1/2	023492	DU-DI-208R	12
2-11/16	023493	DU-DI-211R	18
2-3/4	023494	DU-DI-212R	17
2-15/16	023495	DU-DI-215R	16
3	023496	DU-DI-300R	16
3-3/16	023497	DU-DI-303R	32
3-1/4	023498	DU-DI-304R	31
3-7/16	023499	DU-DI-307R	30
3-1/2	023500	DU-DI-308R	29
3-15/16	023501	DU-DI-315R	46
4	023502	DU-DI-400R	43
4-7/16	023503	DU-DI-407R	57
4 1/2	023504	DU-DI-408R	64
4-15/16	023505	DU-DI-415R	85
5	023506	DU-DI-500R	85

# Consult DODGE For Sizes Not Listed.

"S-1" UNITS -- GRAY IRON			
3-3/16" thru 7"			
SHAFT SIZE INCHES #	PART NUMBER	PART NAME	WEIGHT LBS (APPROX)
3-3/16	023526	S1U-DI-303R	34
3-1/4	023527	S1U-DI-304R	31
3-7/16	023528	S1U-DI-307R	31
3-1/2	023529	S1U-DI-308R	31
3-15/16	023530	S1U-DI-315R	43
4	023531	S1U-DI-400R	43
4-7/16	023532	S1U-DI-407R	57
4-1/2	023533	S1U-DI-408R	64
4-15/16	023534	S1U-DI-415R	82
5	023535	S1U-DI-500R	82
5-7/16	023536	S1U-DI-507R	159
5-15/16	023537	S1U-DI-515R	135
6	023538	S1U-DI-600R	128
6-7/16	023539	S1U-DI-607R	187
6-1/2	023540	S1U-DI-608R	182
6-15/16	023541	S1U-DI-615R	180
7	023542	S1U-DI-700R	178

# Consult DODGE For Sizes Not Listed.

"B-1" UNITS -- GRAY IRON			
SHAFT SIZE INCHES #	PART NUMBER	PART NAME	WEIGHT LBS (APPROX)
1-3/16	023543	BIU-DI-103R	3
1-3/8	023545	BIU-DI-106R	5
1-7/16	023546	BIU-DI-107R	5
1-1/2	023547	BIU-DI-108R	6
1-5/8	023548	BIU-DI-110R	6
1-3/4	023550	BIU-DI-112R	8
1-15/16	023552	BIU-DI-115R	8
2	023553	BIU-DI-200R	7
2-3/16	023554	BIU-DI-203R	9
2-7/16	023556	BIU-DI-207R	12
2-1/2	023557	BIU-DI-208R	11
2-11/16	023558	BIU-DI-211R	17
2-3/4	023559	BIU-DI-212R	17
2-15/16	023560	BIU-DI-215R	17
3	023561	BIU-DI-300R	17
3-7/16	023564	BIU-DI-307R	30
3-1/2	023565	BIU-DI-308R	30
3-15/16	023566	BIU-DI-315R	45
4	023567	BIU-DI-400R	44
4-7/16	023568	BIU-DI-407R	58
4 1/2	023569	BIU-DI-408R	64
4-15/16	023570	BIU-DI-415R	87
5	023571	BIU-DI-500R	86

# Consult DODGE For Sizes Not Listed.

NOTE: All sizes use a 1/8-27 NPT hydraulic grease fitting

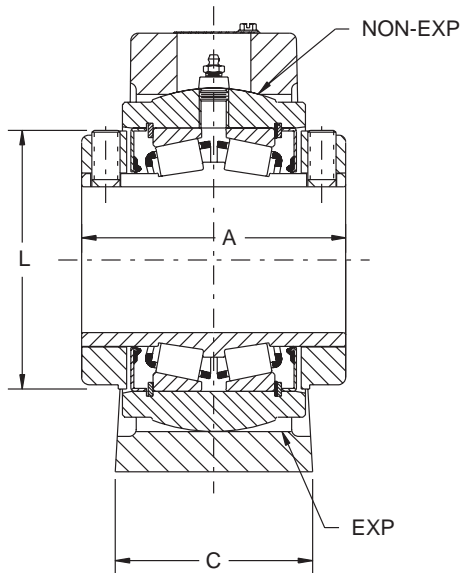
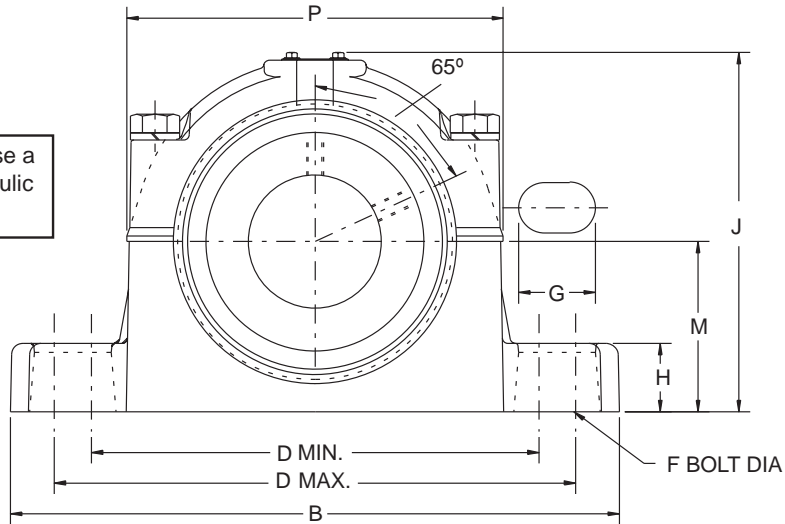
FEATURES/BENEFITS PAGE B6-2	NOMENCLATURE PAGE B6-4	SELECTION PAGE B6-5	SELECTION/DIMENSIONS PAGE B6-8
--------------------------------	---------------------------	------------------------	-----------------------------------

# SELECTION/DIMENSIONS

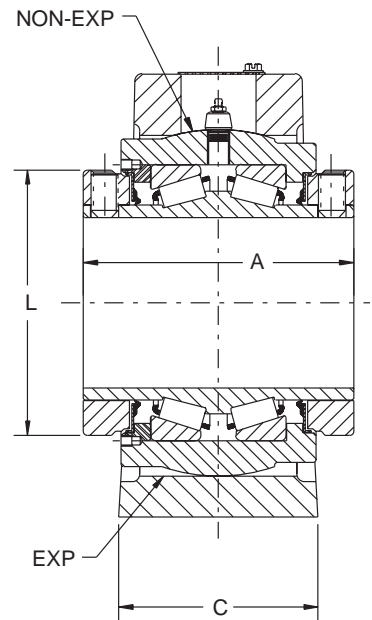


## TAF Pillow Block - Inch 2-BOLT BASE

**NOTE:** All sizes use a 1/8 - 27 NPT hydraulic grease fitting



1-7/16" THRU 3" CONSTRUCTION



3-7/16" THRU 3-1/2" CONSTRUCTION

FEATURES/BENEFITS  
PAGE B6-2

NOMENCLATURE  
PAGE B6-4

SELECTION  
PAGE B6-5

SELECTION/DIMENSIONS  
PAGE B6-8

# SELECTION/DIMENSIONS



## TAF Pillow Block - Inch 2-BOLT BASE

GRAY IRON NON-EXPANSION						
SHAFT SIZE INCHES #	SHAFT SIZE SYMBOL	SAF HOUSING NUMBER	PILLOW BLOCK ASSY	HOUSING ONLY	BEARING INNER UNIT	PIL. BLK. WT. APRX LBS
1-7/16	107	509	037580	037540	037632	12
1-11/16	111	510	037581	037541	037633	15
1-15/16	115	511	037582	037542	037634	17
2-3/16	203	513	037583	037543	037635	25
2-7/16	207	515	037584	037544	037636	30
2-1/2	208		037585	037544	037637	30
2-11/16	211	516	037586	037545	037638	38
2-3/4	212		037587	037545	037639	38
2-15/16	215	517	037588	037546	037640	45
3	300		037589	037546	037641	44
3-7/16	307	520	037590	037547	037642	71
3-1/2	308		037591	037547	037643	70

GRAY IRON EXPANSION						
SHAFT SIZE INCHES #	SHAFT SIZE SYMBOL	SAF HOUSING NUMBER	PILLOW BLOCK ASSY	HOUSING ONLY	BEARING INNER UNIT	PIL. BLK. WT. APRX LBS
1-7/16	107	509	037592	037555	037632	12
1-11/16	111	510	037593	037556	037633	15
1-15/16	115	511	037594	037557	037634	17
2-3/16	203	513	037595	037558	037635	25
2-7/16	207	515	037596	037559	037636	30
2-1/2	208		037597	037559	037637	30
2-11/16	211	516	037598	037560	037638	38
2-3/4	212		037599	037560	037639	38
2-15/16	215	517	037600	037561	037640	45
3	300		037601	037561	037641	44
3-7/16	307	520	037602	037562	037642	71
3-1/2	308		037603	037562	037643	70

Non-Expansion Furnished Unless Otherwise Specified.

# Consult DODGE For Sizes Not Shown

SHAFT SIZE INCHES	SAF SERIES	A	B	C	D		F BOLT DIA	G	H	J	L	M	P	EXP*
					MIN.	MAX.								
1-7/16	509	3	8-1/4	2-3/16	6-1/4	7	1/2	15/16	7/8	5-7/64	2-3/4	2-1/4	5-33/64	3/32
1-11/16	510	3-3/8	8-1/4	2-3/8	6-1/2	7	1/2	7/8	1-1/32	5-5/8	3-3/16	2-1/2	5-13/16	3/32
1-15/16	511	3-1/2	9-5/8	2-3/4	7-3/8	8-1/4	5/8	1-13/64	1-1/32	6-9/64	3-7/16	2-3/4	6-23/64	9/32
2-3/16	513	3-3/4	11	3-1/4	8-21/32	9-1/2	5/8	1-7/16	1-1/32	6-33/64	3-3/4	3	6-61/64	9/32
2-7/16	515	4	11-1/8	3-1/8	8-5/8	9-5/8	5/8	1-17/64	1-1/4	7-1/32	4-1/16	3-1/4	7-3/8	9/32
2-1/2														
2-11/16	516	4-1/2	12-19/32	3-1/2	9-7/8	11	3/4	1-7/16	1	7-43/64	4-23/32	3-1/2	8-5/16	9/32
2-3/4														
2-15/16	517	4-1/2	12-19/32	3-1/2	9-7/8	11	3/4	1-7/16	1-1/4	7-59/64	4-23/32	3-3/4	8-5/16	9/32
3														
3-7/16	520	5	15-3/8	4-11/32	11-13/16	13-1/8	7/8	1-21/32	1-21/32	9-27/64	5-1/2	4-1/2	10-3/32	9/32
3-1/2														

\*EXP Total Expansion Divided Equally On Both Sides Of Bearing (Expansion Bearing Only).

**NOTE:** All sizes use a 1/8-27 NPT hydraulic grease fitting

FEATURES/BENEFITS PAGE B6-2	NOMENCLATURE PAGE B6-4	SELECTION PAGE B6-5	SELECTION/DIMENSIONS PAGE B6-8
--------------------------------	---------------------------	------------------------	-----------------------------------

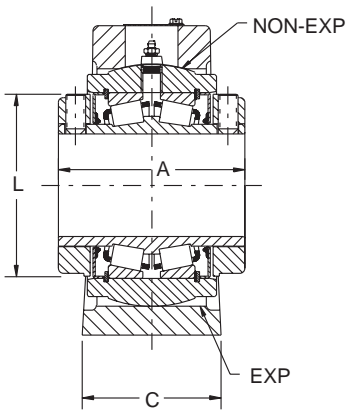
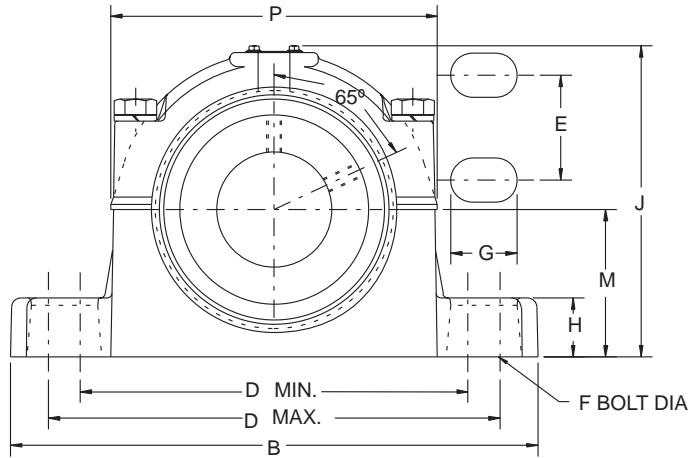


# SELECTION/DIMENSIONS

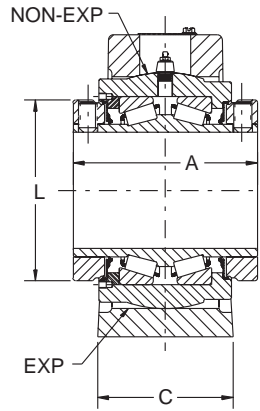


## TAF Pillow Block - Inch 4-BOLT BASE

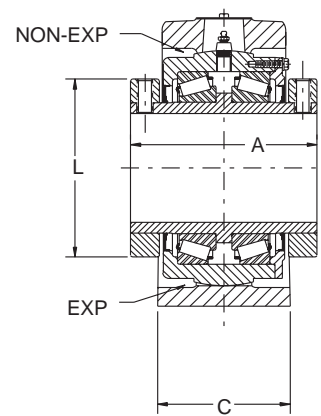
**NOTE:** All sizes use a 1/8 - 27 NPT hydraulic grease fitting



2-7/16" THRU 3"  
CONSTRUCTION



3-7/16" THRU 5"  
CONSTRUCTION



5-7/16" THRU 7"  
CONSTRUCTION

FEATURES/BENEFITS  
PAGE B6-2

NOMENCLATURE  
PAGE B6-4

SELECTION  
PAGE B6-5

SELECTION/DIMENSIONS  
PAGE B6-8

# SELECTION/DIMENSIONS



## TAF Pillow Block - Inch 4-BOLT BASE

GRAY IRON NON-EXPANSION						
SHAFT SIZE INCHES #	SHAFT SIZE SYMBOL	SAF HOUSING NUMBER	PILLOW BLOCK ASSY	HOUSING ONLY	BEARING INNER UNIT	PIL. BLK. WT. APRX LBS
2-7/16	207	515	037604	037548	037636	30
2-1/2	208	515	037605	037548	037637	30
2-11/16	211	516	037606	037549	037638	38
2-3/4	212	516	037607	037549	037639	38
2-15/16	215	517	037608	037550	037640	45
3	300	517	037609	037550	037641	44
3-7/16	307	520	037610	037551	037642	71
3-1/2	308	520	037611	037551	037643	70
3-15/16	315	522	037612	037552	037644	110
4	400	522	037613	037552	037645	110
4-7/16	407	526	037614	037553	037646	140
4-1/2	408	526	037615	037553	037647	140
4-15/16	415	528	037616	037554	037648	180
5	500	528	037617	037554	037649	180
5-7/16	507	532	023584	042628	023610	300
5-15/16	515	534	023585	042630	023611	300
6	600	534	023586	042630	023612	300
6-7/16	607	536	023587	042632	023613	510
6-1/2	608	536	023588	042632	023614	510
6-15/16	615	538	023589	042634	023615	520
7	700	538	023590	042634	023616	0520

GRAY IRON EXPANSION						
SHAFT SIZE INCHES #	SHAFT SIZE SYMBOL	SAF HOUSING NUMBER	PILLOW BLOCK ASSY	HOUSING ONLY	BEARING INNER UNIT	PIL. BLK. WT. APRX LBS
2-7/16	207	515	037618	037563	037636	30
2-1/2	208	515	037619	037563	037637	30
2-11/16	211	516	037620	037564	037638	38
2-3/4	212	516	037621	037564	037639	38
2-15/16	215	517	037622	037565	037640	45
3	300	517	037623	037565	037641	44
3-7/16	307	520	037624	037566	037642	71
3-1/2	308	520	037625	037566	037643	70
3-15/16	315	522	037626	037567	037644	110
4	400	522	037627	037567	037645	110
4-7/16	407	526	037628	037568	037646	140
4-1/2	408	526	037629	037568	037647	140
4-15/16	415	528	037630	037569	037648	180
5	500	528	037631	037569	037649	180
5-7/16	507	532	023603*	042627*	023610	300
5-15/16	515	534	023604*	042629*	023611	300
6	600	534	023605*	042629*	023612	300
6-7/16	607	536	023606*	042631*	023613	510
6-1/2	608	536	023607*	042631*	023614	510
6-15/16	615	538	023608*	042633*	023615	520
7	700	538	023609*	042633*	023616	520

Non-Expansion Furnished Unless Otherwise Specified  
Consult DODGE For Sizes Not Shown

SHAFT SIZE	SAF SERIES	A	B	C	D		E	F BOLT DIA	G	H	J	L	M	P	EXP*
					MIN.	MAX.									
2-7/16	515	4	11-1/8	3-1/8	8-5/8	9-5/8	1-7/8	1/2	1-1/8	1-1/4	7-1/32	4-1/16	3-1/4	7-3/8	9/32
2-1/2					8-5/8	9-5/8	1-7/8	1/2	1-1/8	1-1/4	7-1/32	4-1/16	3-1/4	7-3/8	9/32
2-11/16	516	4-1/2	12-19/32	3-1/2	9-7/8	11	2-1/8	5/8	1-21/64	1	7-43/64	4-23/32	3-1/2	8-5/16	9/32
2-3/4					9-7/8	11	2-1/8	5/8	1-21/64	1	7-43/64	4-23/32	3-1/2	8-5/16	9/32
2-15/16	517	4-1/2	12-19/32	3-1/2	9-7/8	11	2-1/8	5/8	1-21/64	1-1/4	7-59/64	4-23/32	3-3/4	8-5/16	9/32
3					9-7/8	11	2-1/8	5/8	1-21/64	1-1/4	7-59/64	4-23/32	3-3/4	8-5/16	9/32
3-7/16	520	5	15-3/8	4-11/32	11-5/8	13-1/8	2-3/8	3/4	1-5/8	1-21/32	9-27/64	5-1/2	4-1/2	10-3/32	9/32
3-1/2					11-5/8	13-1/8	2-3/8	3/4	1-5/8	1-21/32	9-27/64	5-1/2	4-1/2	10-3/32	9/32
3-15/16	522	6-1/4	16-1/2	4-3/4	12-19/32	14-1/2	2-3/4	3/4	1-53/64	1-25/32	10-23/64	6	4-15/16	10-45/64	11/32
4					12-19/32	14-1/2	2-3/4	3/4	1-53/64	1-25/32	10-23/64	6	4-15/16	10-45/64	11/32
4-7/16	526	6-3/4	18-3/8	5-1/8	14-1/2	16	3-1/4	7/8	1-3/4	2-1/16	11-53/64	6-29/64	6	12-29/64	11/32
4-1/2					14-1/2	16	3-1/4	7/8	1-3/4	2-1/16	11-53/64	6-29/64	6	12-29/64	11/32
4-15/16	528	7-1/4	19-45/64	5-7/8	15-5/8	17-3/8	3-3/8	1	2	2-1/16	12-37/64	7-29/64	6	13-23/64	11/32
5					15-5/8	17-3/8	3-3/8	1	2	2-1/16	12-37/64	7-29/64	6	13-23/64	11/32
5-7/16	532	9	21- 21/32	6-1/4	17-5/8	19-1/4	3-3/4	1	1-59/64	2-11/32	14	9-3/8	6-11/16	15-1/8	13/32
5-15/16					17-5/8	19-1/4	3-3/4	1	1-59/64	2-11/32	14	9-3/8	6-11/16	15-1/8	13/32
6	534	9	24-3/4	6-3/4	19	21-5/8	4-1/4	1	2-7/16	2-7/8	14-3/8	9-3/8	7-1/16	15-1/8	13/32
6-7/16					19	21-5/8	4-1/4	1	2-7/16	2-7/8	14-3/8	9-3/8	7-1/16	15-1/8	13/32
6-1/2	536	10-1/2	26-3/4	7-1/8	21	23-5/8	4-5/8	1	2-7/16	3	16-3/16	11-3/8	7-1/2	18-5/16	13/32
6-15/16					21	23-5/8	4-5/8	1	2-7/16	3	16-3/16	11-3/8	7-1/2	18-5/16	13/32
7	538	10-1/2	28	7-1/2	21-5/8	24-3/8	4-1/2	1-1/4	2-3/4	3-1/8	16-9/16	11-3/8	7-7/8	18-5/16	13/32
7					21-5/8	24-3/8	4-1/2	1-1/4	2-3/4	3-1/8	16-9/16	11-3/8	7-7/8	18-5/16	13/32

\*EXP - Total Expansion Divided Equally On Both Sides Of Bearing (Expansion Bearings Only)

Note: All sizes use a 1/8-27 NPT hydraulic grease fitting

FEATURES/BENEFITS PAGE B6-2	NOMENCLATURE PAGE B6-4	SELECTION PAGE B6-5	SELECTION/DIMENSIONS PAGE B6-8
--------------------------------	---------------------------	------------------------	-----------------------------------

# SELECTION/DIMENSIONS



## TAF Units - Inch

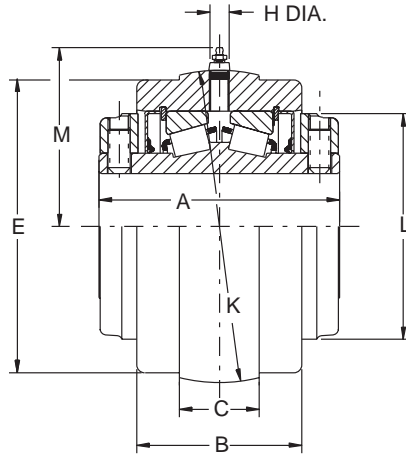
D-LOK

Type E Family

Specialty Tapered

S-2000

UNISPHERE II

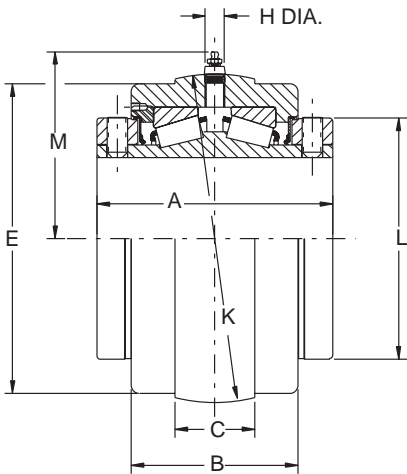


**NOTE:** All sizes use a 1/8 - 27 NPT hydraulic grease fitting

TAF S1 Unit Is Used In All Expansion And Non-Expansion TAF Housings

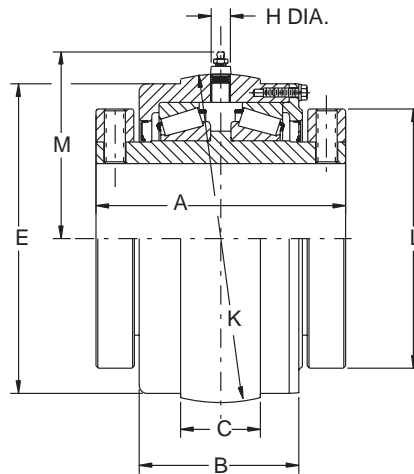
**S-1 UNIT**

1-7/16" THRU 3" CONSTRUCTION



**S-1 UNIT**

3-3/16" THRU 5" CONSTRUCTION



**S-1 UNIT**

5-7/16" THRU 7" CONSTRUCTION

<p>FEATURES/BENEFITS PAGE B6-2</p>	<p>NOMENCLATURE PAGE B6-4</p>	<p>SELECTION PAGE B6-5</p>	<p>SELECTION/DIMENSIONS PAGE B6-8</p>
--	-----------------------------------	--------------------------------	---

# SELECTION/DIMENSIONS



## TAF Units - Inch

"S-1" UNITS - GRAY IRON			
SHAFT SIZE # INCHES	PART NUMBER	PART NAME	WEIGHT LBS (APPROX)
1-7/16	037632	S1U509-TAF-107	5
1-11/16	037633	S1U510-TAF-111	7
1-15/16	037634	S1U511-TAF-115	8
2-3/16	037635	S1U513-TAF-203	9
2-7/16	037636	S1U515-TAF-207	11
2- 1/2	037637	S1U515-TAF-208	11
2-11/16	037638	S1U516-TAF-211	18
2-3/4	037639	S1U516-TAF-212	17
2-15/16	037640	S1U517-TAF-215	17
3	037641	S1U517-TAF-300	17
3-7/16	037642	S1U520-TAF-307	31
3-1/2	037643	S1U520-TAF-307	31
3-15/16	037644	S1U522-TAF-315	43
4	037645	S1U522-TAF-400	43
4-7/16	037646	S1U526-TAF-407	57
4-1/2	037647	S1U526-TAF-408	68
4-15/16	037648	S1U528-TAF-415	82
5	037649	S1U528-TAF-500	82
5-7/16	023610	S1U-TAF-507R	155
5-15/16	023611	S1U-TAF-515R	143
6	023612	S1U-TAF-600R	138
6-7/16	023613	S1U-TAF-607R	187
6-1/2	023614	S1U-TAF-608R	182
6-15/16	023615	S1U-TAF-615R	180
7	023616	S1U-TAF-700R	178

**NOTE:** TAF inserts below 5-7/16" are not interchangeable with TAF-XT housings, with shafts of 5" or less, order DOUBLE-INTERLOCK S-1 units on Page B6-50

SHAFT SIZE INCHES	A	B	C	E		H	K	L	M
				MACH. SIDE	CAST SIDE				
1-7/16	3	2-1/16	1-5/32	3.250	3.31	3/4	3.595 •	2-3/4	2-1/2
1-11/16	3-3/8	2-5/16	1-3/16	3.750	3.81	3/4	4.095 •	3-3/16	2-7/8
1-15/16	3-1/2	2-7/16	1-1/2	4.125	4.18	3/4	4.502 •	3-7/16	2-3/4
2-3/16	3-3/4	2-9/16	1-9/16	4.500	4.56	3/4	4.940 •	3-3/4	2-61/64
2-7/16	4	2-3/4	1-7/16	4.812	4.87	3/4	5.156 •	4-1/16	3-3/8
2- 1/2									
2-15/16	4-1/2	3	1-7/8	5.563	5.63	3/4	6.001 •	4-23/32	3-7/8
3									
3-7/16	5	3-1/2	2-3/16	6.813	6.88	3/4	7.313 *	5-1/2	4-1/2
3-1/2									
3-15/16	6-1/4	4-1/2	2-19/32	7.438	7.40	15/16	7.937 *	6	5-1/8
4									
4-7/16	6-3/4	4-5/8	2-9/16	8.313	8.32	15/16	8.812 *	6-29/64	5-1/2
4-1/2									
4-15/16	7-1/4	5-1/8	3-1/8	9.563	9.54	15/16	10.124 *	7-29/64	6-3/16
5									
5-7/16	9	5-7/8	2-9/16	11.190	11.19	15/16	11.563 ^	9-3/8	6-29/32
5-15/16									
6									
6-7/16	10-1/2	7-1/8	3	13.250	13.25	15/16	13.748 ^	11-3/8	8
6-1/2									
6-15/16									
7									

• +.000,-.001"

^ .000,-.003"

\* +.0005

# Consult DODGE For Sizes Not Listed

FEATURES/BENEFITS PAGE B6-2	NOMENCLATURE PAGE B6-4	SELECTION PAGE B6-5	SELECTION/DIMENSIONS PAGE B6-8
--------------------------------	---------------------------	------------------------	-----------------------------------

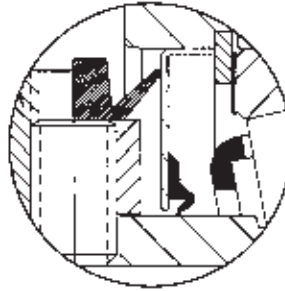


# SELECTION/DIMENSIONS

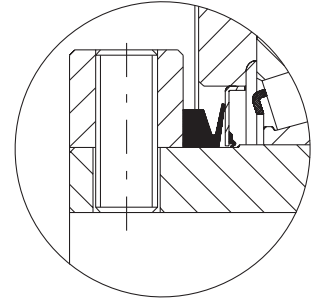
# DODGE®

## Type E / Type K / DOUBLE-INTERLOCK /TAF E-TECT SEAL KITS

SHAFT SIZE INCHES	KIT PART NUMBER
1-3/16 TO 1-1/4	037650*
1-3/8 TO 1-7/16	037651*
1-1/2 TO 1-11/16	037652*
1-3/4 TO 2	037653*
2-3/16	037654*
2-1/4 TO 2-1/2	037655*
2-11/16 TO 3	037656*
3-3/16 TO 3-1/2	037657*
3-15/16 TO 4	037658*
4-7/16 TO 4-1/2	037659*
4-15/16 TO 5	037660*
5-7/16 TO 6	037673**
6-7/16 TO 7	037674**



1-3/16 THRU 5"



5-7/16 THRU 7"

\* Kit includes one collar, set screws and seal

\*\* Kit for 5-7/16" consists of a modified v-ring seal. This seal can only be used with bearings produced after September 1995

D-LOK

Type E Family

Specialty Tapered

S-2000

UNISPHERE II

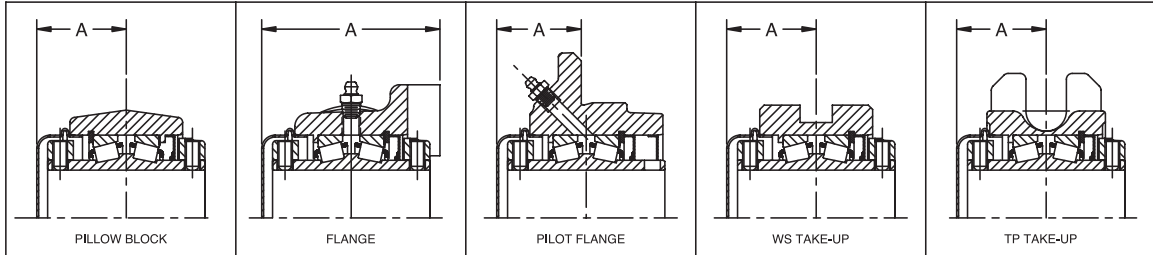
FEATURES/BENEFITS PAGE B6-2	NOMENCLATURE PAGE B6-4	SELECTION PAGE B6-5	SELECTION/DIMENSIONS PAGE B6-8
--------------------------------	---------------------------	------------------------	-----------------------------------



# SELECTION/DIMENSIONS



## Type E TYPE E END CLOSURE KITS - INCH



\*\* Seal must be removed before installing the end cover

SHAFT SIZE Δ Inches	KIT* PART NO.	"A" DIMENSION (INCH)				
		PILLOW BLOCK	FLANGE	PILOT FLANGE	WS TAKE-UP	TP TAKE-UP
1-3/16 TO 1-1/4	<b>023795</b>	1-9/16	2-31/32	1-15/32	----	----
1-3/8 TO 1-7/16	<b>023796</b>	1-11/32	3-7/32	1-21/32	1-21/32	----
1-1/2 TO 1-11/16	<b>023797</b>	1-57/64	3-43/64	1-47/64	1-55/64	----
1-3/4 TO 2	<b>023798</b>	1-61/64	3-51/64	1-47/64	1-59/64	1-63/64
2-3/16	<b>023799</b>	2-3/32	4-1/16	1-7/8	2-1/16	2-1/16
2-1/4 TO 2-1/2	<b>023800</b>	2-1/4	4-3/8	2	2-3/16	2-5/16
2-11/16 TO 3	<b>023801</b>	2-7/16	4-7/8	2-3/16	2-7/16	2-7/16

Δ - Consult DODGE For Sizes Not Listed.

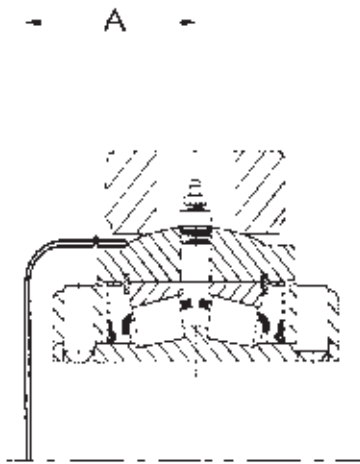
\* - Kit Includes End Closure And Special Collar.

FEATURES/BENEFITS PAGE B6-2	NOMENCLATURE PAGE B6-4	SELECTION PAGE B6-5	SELECTION/DIMENSIONS PAGE B6-8
--------------------------------	---------------------------	------------------------	-----------------------------------

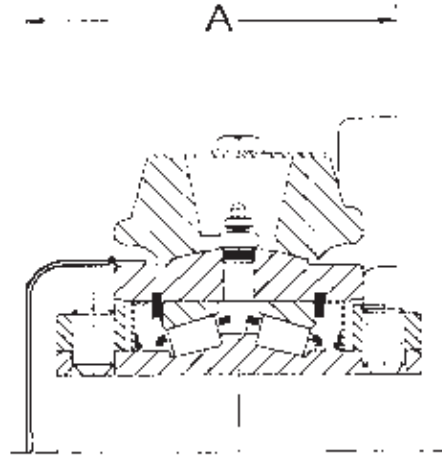
# SELECTION/DIMENSIONS



## Type K, DOUBLE-INTERLOCK and TAF End Covers



DOUBLE-INTERLOCK SHOWN  
K, D-1 & TAF



DOUBLE-INTERLOCK SHOWN  
K & DI

SHAFT SIZE INCHES	PART NUMBER	"A" DIMENSION	
		PILLOW BLOCK	FLANGE BEARING
1-3/8 TO 1-7/16	<b>037681</b>	1-21/32	2-27/32
1-1/2 TO 1-11/16	<b>037682</b>	1-55/64	3-11/64
1-3/4 TO 2	<b>037683</b>	1-59/64	3-19/64
2-3/16	<b>037684</b>	2-1/16	3-1/2
2-1/4 TO 2-1/2	<b>037685</b>	2-3/16	3-3/4
2-11/16 TO 3	<b>037686</b>	2-7/16	4-3/16
3-3/16 TO 3-1/2	<b>037687</b>	2-11/16	4-15/16
3-5/16 TO 4	<b>037688</b>	3-5/16	5-13/16
4-7/16 TO 4-1/2	<b>037689</b>	3-9/16	5-7/8
4-15/16 TO 5	<b>037690</b>	3-13/16	6-5/16

END CLOSURE MOUNTS ON MACHINED OD SIDE OF S-1 UNIT

FEATURES/BENEFITS  
PAGE B6-2

NOMENCLATURE  
PAGE B6-4

SELECTION  
PAGE B6-5

SELECTION/DIMENSIONS  
PAGE B6-8

# SELECTION



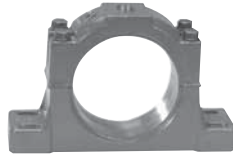
## TAF - Smart Stock Selections HOW TO ORDER

### Step 1: The Housing Choices Standard Or Drilled

When speed only will be monitored, select the standard housing.

When vibration, and /or temperature will be monitored, select the drilled housing

All housing part numbers shown are 4-bolt base, non-expansion



Shaft Size	Series	Standard Housing Part Numbers If you are monitoring speed only Part #	Drilled Housing Part Number For temperature and/or vibration Part #
207	515	037548	053067
215	517	037550	053628
307	520	037551	067350
315	522	037552	054960
407	526	037553	067352
415	528	037554	067353
507	532	042628	067354
515	534	042630	067357
615	538	042634	067234

### Step 2: Pick An S1 Unit

Smart S-1 units feature

Embedded thermocouple drilled and tapped holes for prox covers

Special locking collar with prox targets



Shaft Size	S1 Unit
207	055805
215	055806
307	055807
315	049235
407	055915
415	055840
507	067355
515	067356
615	067323

### Step 3: The Sensor Choices

For speed monitoring, use AC prox and prox cover or DC prox and prox cover. (Use DC with EZLINK only)

For temperature monitoring, use thermocouple transmitter or for speed, temperature and vibration monitoring, use EZLINK

Prox Covers		
Shaft	Housing	Part Number
207	515	067340
215	517	067342
307	520	067343
315	522	067344
407	526	067345
415	528	067346
507	532	067347
515	534	067347
615	538	067348

TAF Sensor kits	Part Number
AC Prox	055943
DC Prox	055948
Thermocouple Transmitter	055931
EZLINK	059652
Cable Connector Kit	063694
4-20 ma Accelerometer and Thermocouple	067576

\* For additional details on DODGE Smart Bearings, see brochure DMR-2026-6

FEATURES/BENEFITS PAGE B6-2	NOMENCLATURE PAGE B6-4	SELECTION PAGE B6-5	SELECTION/DIMENSIONS PAGE B6-8
--------------------------------	---------------------------	------------------------	-----------------------------------

# SELECTION



## Type E - Metric

### SELECTION METRIC TYPE E TAPERED ROLLER BEARINGS

#### DODGE Type E Double Row Tapered Roller Bearings

have the capacity to carry heavy radial loads, thrust loads, and combined radial and thrust loads. The maximum recommended load which can be applied is limited by various components in the system such as bearing, housing, shaft, shaft attachment, speed and life requirements as listed in this catalog. DODGE Unitized Type E Roller Bearings have been applied successfully even when these limits have been exceeded under controlled operating conditions. Contact DODGE Application Engineering (864-297-4800) for applications which exceed the recommendations of this catalog.

$L_{10}$  Life, Hours -- The fatigue life which may be expected from at least 90% of a given group of bearings operating under identical conditions.

$$L_{10} \text{ Life, Hours} = \left( \frac{C_{90}}{P} \right)^{10/3} \times \frac{1,500,000}{\text{RPM}}$$

Where:  $C_{90}$  = Dynamic Capacity (Table 9), kN  
 P = Equivalent Radial Load, kN  
 (See Equation 1 On Page B6-64 for definition of P)

### GENERAL

Heavy Service -- For heavy shock loads, frequent shock loads, or severe vibrations, increase the Equivalent Radial Load up to 50% (according to severity of conditions) to obtain a Modified Equivalent Radial Load. Consult Application Engineering at 864-284-5700 for additional selection assistance.

Thrust load values shown in the table below are recommended as a guide for general applications that will give adequate  $L_{10}$  life. With substantial radial loads also present, it is advisable to calculate actual  $L_{10}$  life to assure the bearing meets requirements.

RPM RANGE	20 - 200	201 - 2000	Over 2000
RECOMMENDED THRUST LOAD	$C_{90}/4$	$C_{90}/8$	$C_{90}/12$

The shaft tolerances recommended below are adequate for the conditions outlined in this catalog. Since the allowable load, especially at a low speed, is very large, the shaft should be checked to assure adequate shaft strength.

The magnitude and direction of both the thrust and radial load must be taken into account when selecting a shaft size. **Heavy loads should be directed through the base. Where uplift loads are involved see Table 12 for maximum values.** Where a load pulls the housing away from the mounting base, both the hold-down bolts and housing must be of adequate strength. Auxiliary load carrying devices such as shear bars are advisable for side or end loading of plummer blocks.

SHAFT TOLERANCES	
SHAFT SIZE	TOLERANCE
Up to 35mm	+0.000 - .013mm
40 to 100mm	+0.000 - .025mm
100 - 150mm	+0.000 - .038mm
160 - 180mm	+0.000 - .051mm

FEATURES/BENEFITS PAGE B6-2	NOMENCLATURE PAGE B6-4	SELECTION PAGE B6-5	SELECTION/DIMENSIONS PAGE B6-8
--------------------------------	---------------------------	------------------------	-----------------------------------

# SELECTION



## Type E - Metric

### SELECTING BEARINGS SUPPORTING RADIAL LOADS ONLY

1. Define the desired  $L_{10}$  Life, in Hours
2. Establish bearing radial load, FR, kN
3. Establish RPM.

FR = P for Pure Radial Load Conditions.

P = Equivalent radial load, kN

(The Dodge program BEST• can be used to find application loads.)

Using the easy selection Table 10, Page B6-66 under the RPM column find the equivalent load that equals or is higher than the application radial load for the desired life. The shaft size on the far left will be the minimum shaft size that you can use for your application. If the desired life is different than the values shown on the chart, use alternate Method A shown below.

Example:  $L_{10}$  Life = 30,000 Hours  
Radial load = 18 kN  
RPM = 1000

At the intersection of the 1000 RPM column and at the 30,000 hours  $L_{10}$  life row, the equivalent radial load of 25 kN exceeds the 18kN application radial load for shaft sizes

80, 85, and 90. Therefore, an 80, 85, or 90mm E bearing can be used to meet the application conditions of the above example:

### ALTERNATE METHOD A --SELECTING A BEARING FOR AN $L_{10}$ LIFE VALUE NOT SHOWN IN THE EASY SELECTION CHART.

The  $L_{10}$  life equation can be rearranged so that the bearing dynamic capacity  $C_{90}$  is identified in terms of  $L_{10}$ , RPM and P.

$$C_{90} = \left( \frac{L_{10} \times \text{RPM}}{1,500,000} \right)^{0.3} \times P$$

(P =  $F_R$  for Pure Radial Load Conditions)

Since the  $L_{10}$ , RPM, and P are known, solve for  $C_{90}$ . Select from the dynamic capacity column on Table 9 the  $C_{90}$  value equal to or greater than the  $C_{90}$  value just calculated. The bore size on the far left represents the minimum shaft size selection. Check that the application RPM does not exceed the MAX. RPM on Table 9. When selecting a  $L_{10}$  life of less than 30,000 hours particular attention must be paid to shaft deflection and proper lubricant selection.

• The DODGE Bearing Evaluation and Selection Technique (BEST) is a menu driven computer program that calculates bearing loads, fatigue life, and operating temperature for a two bearing shaft system based on user supplied input parameters. This interactive program is available at [www.ptwizard.com](http://www.ptwizard.com) under the Product Selection area.

FEATURES/BENEFITS PAGE B6-2	NOMENCLATURE PAGE B6-4	SELECTION PAGE B6-5	SELECTION/DIMENSIONS PAGE B6-8
--------------------------------	---------------------------	------------------------	-----------------------------------

# SELECTION



## Type E - Metric

### SELECTING BEARINGS SUPPORTING BOTH RADIAL AND THRUST LOADS

When a bearing supports both a radial load and a thrust load, the loading on the two rows is shared unequally depending on the ratio of thrust to radial load. The use of the X (radial factor) and Y (thrust factor) from Table 9 convert the applied thrust load and radial loads to an equivalent radial load having the same effect on the life of the bearing as a radial load of this magnitude.

The equivalent radial load  $P = XFR + YFA$   
(Equation 1)

Where:

- P = Equivalent radial load, kN
- FR = Radial load, kN
- FA = Thrust (axial) load, kN
- e = Thrust load to radial load factor (Table 1)
- X = Radial load factor (Table 1)
- Y = Thrust load factor (Table 1)

Calculate FA/FR and compare to e for the selected bore size. Determine X and Y from Table 1 depending on whether FA/FR is equal to or less than e, or FA/FR greater than e. Substitute all known values into the equivalent radial load equation. P (equivalent radial load) can be used in the life formula to determine  $L_{10}$  life in hours or compared to the allowable equivalent radial load ratings for the speed and hours life desired in the easy selection table.

### SELECTING BEARINGS SUPPORTING ONLY THRUST LOADS

Type E tapered roller bearings are well suited to carry pure thrust loads. Follow the same selection procedure used above "Selecting Bearings Supporting Both Radial and Thrust Loads" except the equation  $P = XFR + YFA$  reduces to  $P = YFA$ . (XFR is equal to zero)

**TABLE 9 RADIAL AND THRUST FACTORS FOR TYPE E TAPERED ROLLER BEARINGS (METRIC)**

SHAFT SIZE (MM)	e	FA/FR ≤ e		FA/FR > e		DYNAMIC CAPACITY $C_{90}^*$ KNEWTONS	MAXIMUM RPM	MAXIMUM SLIP FIT RADIAL LOAD, (FR)k N**
		X	Y	X	Y			
35	0.46	.87	1.89	.70	2.28	21.2	3,820	22.2
40	0.44	.87	1.96	.70	2.37	27.3	3,320	28.5
45, 50	0.33	.87	2.64	.70	3.18	35.9	3,050	37.4
55	0.35	.87	2.38	.70	2.87	38.0	2,730	39.6
60, 65	0.40	.87	2.17	.70	2.63	40.4	2,420	42.2
70, 75	0.45	.87	1.87	.70	2.26	42.7	2,060	44.5
80, 85, 90	0.50	.87	1.71	.70	2.07	68.1	1,640	71.2
100	0.49	.87	1.77	.70	2.14	93.4	1,530	98.0
110,115	0.53	.87	1.63	.70	1.97	114.8	1,360	120.0
125	0.47	.87	1.83	.70	2.21	157.9	1,200	164.6
135,140,150	0.49	.87	1.76	.70	2.12	181.1	915	188.6
160,170,180	0.54	.87	1.61	.70	1.95	307.9	790	320.2

FEATURES/BENEFITS PAGE B6-2	NOMENCLATURE PAGE B6-4	SELECTION PAGE B6-5	SELECTION/DIMENSIONS PAGE B6-8
--------------------------------	---------------------------	------------------------	-----------------------------------

# SELECTION



## Type E - Metric

### COMPARING SPHERICAL TO TAPER ROLLER BEARING

The dynamic capacity  $C$  (spherical) and  $C_{90}$  (taper) are not to the same base. To compare basic dynamic capacities, multiply  $C \times .259$  and compare to  $C_{90}$ .

To select and then compare, use the complete selection procedure for each type bearing and then compare.

\*  $C_{90}$  ---Dynamic capacity based on a rated life of 90 million revolutions or 3000 hours at 500 RPM.

\*\* If load exceeds maximum allowable slip fit radial load ( $F_R$ ), line to line, to-light press fit of shaft required. Application loads up to maximum slip fit radial load may be applied if recommended shaft tolerances are used.

D-LOK

Type E Family

Speciality Tapered

S-2000

UNISPHERE II

FEATURES/BENEFITS PAGE B6-2	NOMENCLATURE PAGE B6-4	SELECTION PAGE B6-5	SELECTION/DIMENSIONS PAGE B6-8
--------------------------------	---------------------------	------------------------	-----------------------------------

# SELECTION



## Type E - Metric

**TABLE 10 - EASY SELECTION TABLE FOR TYPE E, DOUBLE ROW TAPERED ROLLER BEARINGS (METRIC)**

SHAFT SIZE, MM	L10 LIFE, HRS.	ALLOWABLE EQUIVALENT RADIAL LOAD RATING (kN) AT VARIOUS REVOLUTIONS PER MINUTE														
		50	100	150	250	500	750	1000	1250	1500	1750	2000	2500	2700	3000	3500
35	10000	30	25	20	20	15	15	10	10	10	10	10	10	10	10	10
	30000	20	15	15	15	10	10	10	10	5	5	5	5	5	5	5
	40000	20	15	15	10	10	10	5	5	5	5	5	5	5	5	5
	60000	15	15	10	10	10	5	5	5	5	5	5	5	5	5	5
	100000	15	10	10	10	5	5	5	5	5	5	5	5	5	5	5
40	10000	35	30	25	25	20	15	15	15	15	15	10	10	10	10	10
	30000	25	20	20	15	15	10	10	10	10	10	10	10	5	5	5
	40000	25	20	20	15	10	10	10	10	10	10	10	5	5	5	5
	60000	20	20	15	15	10	10	10	10	5	5	5	5	5	5	5
	100000	20	15	15	10	10	10	5	5	5	5	5	5	5	5	5
45 50	10000	55	45	40	35	25	25	20	20	20	20	20	15	15	15	--
	30000	40	30	30	25	20	15	15	15	15	15	15	10	10	10	--
	40000	35	30	25	20	20	15	15	15	15	10	10	10	10	10	--
	60000	30	25	25	20	15	15	15	10	10	10	10	10	10	10	--
	100000	25	20	20	15	15	10	10	10	10	10	10	10	10	10	--
55	10000	50	40	40	30	25	25	20	20	20	15	15	15	15	15	--
	30000	40	30	25	25	20	15	15	15	15	10	10	10	10	10	--
	40000	35	30	25	20	15	15	15	15	10	10	10	10	10	10	--
	60000	30	25	20	20	15	15	10	10	10	10	10	10	10	10	--
	100000	25	20	20	15	15	10	10	10	10	10	10	10	10	5	--
60 65	10000	55	45	40	35	30	25	20	20	20	20	15	--	--	--	--
	30000	40	30	30	25	20	15	15	15	15	15	10	--	--	--	--
	40000	35	30	25	20	20	15	15	15	15	10	10	--	--	--	--
	60000	30	25	25	20	15	15	15	10	10	10	10	--	--	--	--
	100000	30	20	20	15	15	10	10	10	10	10	10	--	--	--	--
70 75	10000	60	50	40	35	30	25	25	20	20	20	20	--	--	--	--
	30000	40	35	30	25	20	20	15	15	15	15	15	--	--	--	--
	40000	40	30	30	25	20	15	15	15	15	10	10	--	--	--	--
	60000	35	30	25	20	15	15	15	15	10	10	10	--	--	--	--
	100000	30	25	20	20	15	15	10	10	10	10	10	--	--	--	--
80 85 90	10000	95	75	70	60	45	40	40	35	35	30	--	--	--	--	--
	30000	70	55	50	40	35	30	25	25	25	25	--	--	--	--	--
	40000	60	50	45	40	30	25	25	25	20	20	--	--	--	--	--
	60000	55	45	40	35	25	25	20	20	20	20	--	--	--	--	--
	100000	45	40	35	30	25	20	20	20	20	15	15	--	--	--	--
100	10000	130	105	95	80	65	55	50	50	45	--	--	--	--	--	--
	30000	95	75	65	55	45	40	40	35	35	--	--	--	--	--	--
	40000	85	70	60	50	40	40	35	30	30	--	--	--	--	--	--
	60000	75	60	55	45	40	35	30	30	25	--	--	--	--	--	--
	100000	65	50	45	40	30	30	25	25	25	--	--	--	--	--	--

For Maximum RPM See Table 1 on Page B6-14.

In The Shaded Area E, DI & TAF Mounted Unites Required Line-To-Line Press Fit To Shaft

FEATURES/BENEFITS PAGE B6-2	NOMENCLATURE PAGE B6-4	SELECTION PAGE B6-5	SELECTION/DIMENSIONS PAGE B6-8
--------------------------------	---------------------------	------------------------	-----------------------------------



# SELECTION



## Type E - Metric

**TABLE 10 - EASY SELECTION TABLE FOR TYPE E, DOUBLE ROW TAPERED ROLLER BEARINGS (METRIC)**

SHAFT SIZE, MM	L10 LIFE, HRS.	ALLOWABLE EQUIVALENT RADIAL LOAD RATING (kN) AT VARIOUS REVOLUTIONS PER MINUTE														
		50	100	150	250	500	750	1000	1250	1500	1750	2000	2500	2700	3000	3500
110 115	10000	160	130	115	100	80	70	65	60	--	--	--	--	--	--	--
	30000	115	95	80	70	55	50	45	45	--	--	--	--	--	--	--
	40000	105	85	75	65	50	45	40	40	--	--	--	--	--	--	--
	60000	95	75	65	55	45	40	35	35	--	--	--	--	--	--	--
	100000	80	65	55	50	40	35	30	30	--	--	--	--	--	--	--
125	10000	220	180	155	135	110	95	90	85	--	--	--	--	--	--	--
	30000	155	130	115	95	80	70	65	60	--	--	--	--	--	--	--
	40000	145	115	105	90	70	65	60	55	--	--	--	--	--	--	--
	60000	130	105	90	80	65	55	50	50	--	--	--	--	--	--	--
	100000	110	90	80	65	55	50	45	40	--	--	--	--	--	--	--
135 140 150	10000	250	205	180	155	125	110	100	--	--	--	--	--	--	--	--
	30000	180	145	130	110	90	80	75	--	--	--	--	--	--	--	--
	40000	165	135	120	100	85	75	65	--	--	--	--	--	--	--	--
	60000	145	120	105	90	75	65	60	--	--	--	--	--	--	--	--
	100000	125	100	90	75	65	55	50	--	--	--	--	--	--	--	--
160 170 180	10000	430	345	305	265	215	190	--	--	--	--	--	--	--	--	--
	30000	305	250	220	190	155	135	--	--	--	--	--	--	--	--	--
	40000	280	230	205	175	140	125	--	--	--	--	--	--	--	--	--
	60000	250	205	180	155	125	110	--	--	--	--	--	--	--	--	--
	100000	215	175	155	130	105	95	--	--	--	--	--	--	--	--	--

For Maximum RPM See Table 1 on Page B6-14.

In The Shaded Area E, DI & TAF Mounted Unites Required Line-To-Line Press Fit To Shaft

D-LOK

Type E Family

Speciality Tapered

S-2000

UNISPHERE II

FEATURES/BENEFITS PAGE B6-2	NOMENCLATURE PAGE B6-4	SELECTION PAGE B6-5	SELECTION/DIMENSIONS PAGE B6-8
--------------------------------	---------------------------	------------------------	-----------------------------------

# SELECTION



## Type E

### LUBRICATION

DODGE Type E Metric Tapered Roller Bearings are lubricated at the factory with Mobilith AW 2 grease up to 125mm and with Mobilux #2 EP above 125mm. Mobilith AW 2 is a superior industrial grease using a lithium complex thickener and a highly refined base oil. Mobilux #2EP grease is a superior industrial greases using a lithium hydroxystearate thickener and highly refined base oil. These greases will adequately handle low and medium speeds with low and medium loads at normal temperatures as defined on Table 13. For very low and high speeds, for heavy loads and for low and high temperatures, special greases must be used. Contact DODGE Application Engineering (864) 284-5700. DODGE engineers will recommend bearings and lubricants for the unusual conditions. DODGE also has the expertise to custom design and build special bearings for your needs.

**High Speed Operation** --- In the higher speed ranges too much grease will cause overheating. The amount of grease that the bearing will take for particular high speed application can only be determined by experience. If excess grease in the bearing caused overheating, it will be necessary to remove grease fitting (also drain plug when furnished) to permit excess grease to escape. When establishing a relubrication schedule, note that a small amount of grease at frequent intervals is preferable to a large amount at infrequent intervals.

### Operation in Presence of Dust, Water or Corrosive Vapors

--- Under these conditions the bearing should contain as much grease as speed will permit, since a full bearing with consequent slight leakage is the best protection against entrance of foreign material. In the higher speed ranges too much grease will cause overheating --- see "High Speed Operation". In the lower speed ranges, it is advisable to add extra grease to a new bearing before putting into operation. Bearings should be greased as often as necessary (daily if required) to maintain a slight leakage at the seals.

### INSTALLATION AND MAINTENANCE

In nearly all applications good design practice requires two bearings supporting the shaft. In cases where three or more bearings are installed, unless precautions are taken to line the bearings up, both vertically and horizontally, it is possible to induce heavy loads. To ensure good alignment, mounting surfaces must be checked for flatness and must lie in the same plane. When tightening base bolts and cap bolts, each bolt should be alternately tightened in incremental torque values until full torque is achieved to prevent the angular shifting of the pillow block that occurs when one bolt is tightened to its full torque. Shimming may be required to minimize misalignment.

**TABLE 11 - RELUBRICATION SCHEDULE**

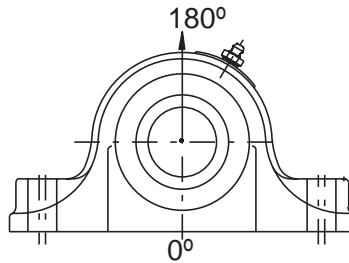
Hours Run per Day	SUGGESTED LUBRICATION PERIOD IN WEEKS							
	1 to 250 RPM	251 to 500 RPM	501 to 750 RPM	751 to 1000 RPM	1001 to 1500 RPM	1501 to 2000 RPM	2001 to 2500 RPM	2501 to 3000 RPM
8	12	12	10	7	5	4	3	2
16	12	7	5	4	2	2	2	1
24	10	5	3	2	1	1	1	1

FEATURES/BENEFITS PAGE B6-2	NOMENCLATURE PAGE B6-4	SELECTION PAGE B6-5	SELECTION/DIMENSIONS PAGE B6-8
--------------------------------	---------------------------	------------------------	-----------------------------------

# SELECTION



## Type E - Metric



**TABLE 12 - TYPE HOUSING RATINGS, GRAY IRON**

BORE SIZE MM	MAXIMUM HOUSING CAP LOADS, kN
	P180
35	14
40	13
45, 50	23
55	16
60, 65	29
70, 75	31
80, 85, 90	70
100	72
110, 115	93
125	116
135, 140, 150	194
160, 170, 180	204

**TABLE 13 - DEFINITION OF OPERATING CONDITIONS FOR TAPERED ROLLER BEARINGS**

LOW SPEED	UP TO 20% OF MAX. RPM (TABLE 9)
MEDIUM SPEED	OVER 20% TO 80% OF MAX. RPM
HIGH SPEED	OVER 80% OF MAX. RPM
LIGHT LOAD	UP TO 30% OF C90 (TABLE 9)
NORMAL LOAD	OVER 30% TO 70% OF C90
HEAVY LOAD	OVER 70% OF C90
LOW TEMPERATURE	-75°C TO - 10°C
MEDIUM TEMPERATURE	ABOVE - 10°C TO 100°C
HIGH TEMPERATURE	ABOVE 100°C TO 150°C
VERY HIGH TEMPERATURE	ABOVE 150°C TO 205°C

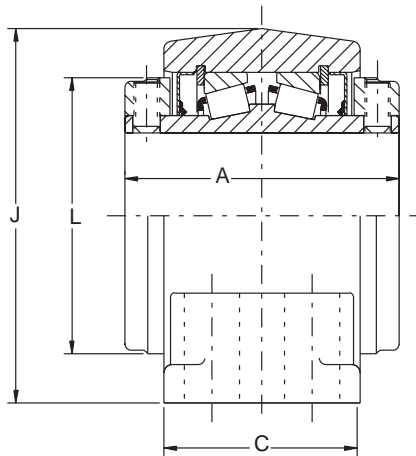
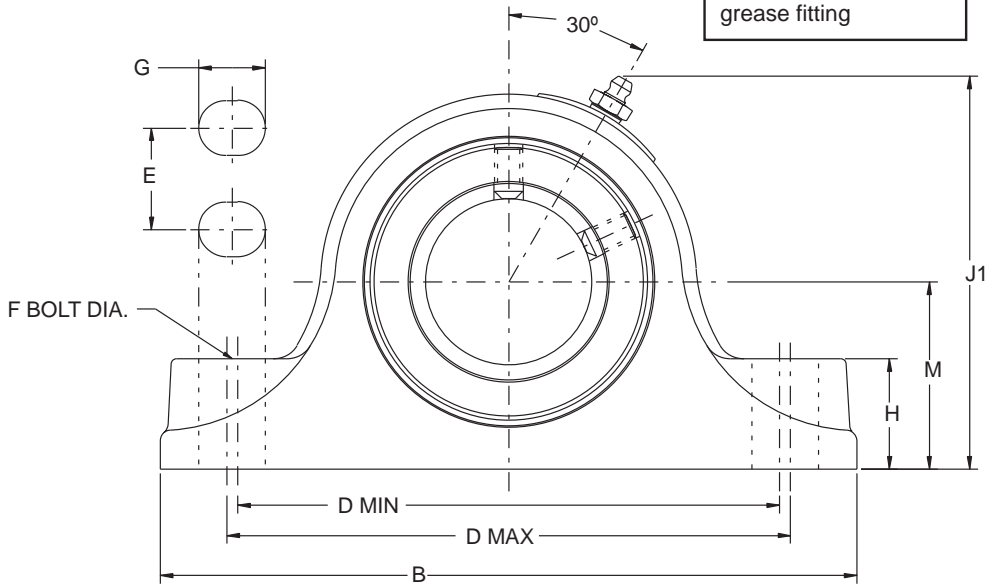
FEATURES/BENEFITS PAGE B6-2	NOMENCLATURE PAGE B6-4	SELECTION PAGE B6-5	SELECTION/DIMENSIONS PAGE B6-8
--------------------------------	---------------------------	------------------------	-----------------------------------

# SELECTION/DIMENSIONS

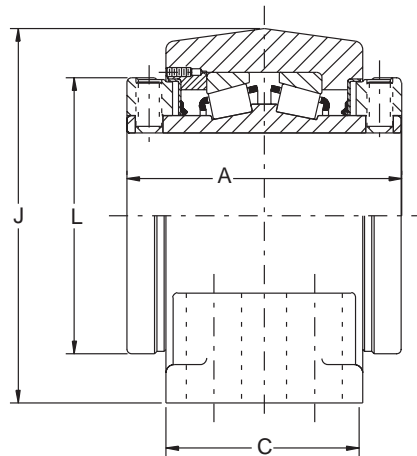


## Type E - Plummer Block - Metric 2 & 4 BOLT BASE

**NOTE:** All sizes use a 1/8 - 27 NPT hydraulic grease fitting



35mm THRU 75mm CONSTRUCTION



80mm THRU 125mm CONSTRUCTION

FEATURES/BENEFITS  
PAGE B6-2

NOMENCLATURE  
PAGE B6-4

SELECTION  
PAGE B6-5

SELECTION/DIMENSIONS  
PAGE B6-8

# SELECTION/DIMENSIONS



## Type E - Plummer Block - Metric

### TYPE E PLUMMER BLOCKS, 2-BOLT

SHAFT SIZE (mm)	PART NUMBER	PART NAME	WEIGHT LBS. (APPROX.)
35mm	023620	P2B-E-035MR	7
40mm	023621	P2B-E-040MR	10
45mm	023622	P2B-E-045MR	12
50mm	023623	P2B-E-050MR	12
55mm	023624	P2B-E-055MR	15
60mm	023625	P2B-E-060MR	20
65mm	023626	P2B-E-065MR	20
70mm	023627	P2B-E-070MR	29
75mm	023628	P2B-E-075MR	27
80mm	023629	P2B-E-080MR	49
85mm	023630	P2B-E-085MR	47
90mm	023631	P2B-E-090MR	45

### TYPE E PLUMMER BLOCKS, 4-BOLT

SHAFT SIZE (mm)	PART NUMBER	PART NAME	WEIGHT LBS. (APPROX.)
100mm	023632	P4B-E-100MR	69
110mm	023633	P4B-E-110MR	85
115mm	023634	P4B-E-115MR	91
125mm	023635	P4B-E-125MR	136
135mm	023636	P4B-E-135MR	245
140mm	023637	P4B-E-140MR	240
150mm	023638	P4B-E-150MR	235
160mm	023639	P4B-E-160MR	355
170mm	023640	P4B-E-170MR	345
180mm	023641	P4B-E-180MR	345

### TYPE E PLUMMER BLOCKS, 2-BOLT BASE

SHAFT SIZE (mm)	A	B	C	D		F Bolts	G	H	J1	L	M
				Min.	Max.						
35mm	76.2	187.0	54.0	142.8	149.2	M12	19	29	101.6	70	47.6
40mm	85.7	200.0	60.0	155.5	161.9	M12	19	32	113.5	81	54.0
45mm	88.9	225.0	64.0	174.6	181.0	M16	22	33	119	87	57.2
50mm											
55mm	95.3	244.0	67.0	193.7	200.0	M16	22	38	131.4	95	63.5
60mm	101.6	267.0	73.0	212.7	219.0	M16	22	41	142.8	103	69.9
65mm											
70mm	114.3	305.0	76.0	236.5	246.0	M20	27	48	161.1	120	79.4
75mm											
80mm	127.0	356.0	89.0	274.6	284.2	M20	30	57	190.5	139.7	95.3
85mm											
90mm											

### TYPE E PLUMMER BLOCKS, 4-BOLT BASE

SHAFT SIZE (mm)	A	B	C	D		E	F Bolts	G	H	J1	L	M
				Min.	Max.							
100mm	158.8	387	114	311.2	323.9	57.2	M20	28	62	216	152.4	108.0
110mm	171.5	422	117	336.6	349.3	63.5	M20	28	70	238	164	120.7
115mm												
125mm	184.2	470	130	387.4	400.0	73.0	M24	32	76	276	189	139.7
135mm	228.6	559	159	441.3	485.8	95.3	M24	51	83	335	238	169.9
140mm												
150mm												
160mm	266.7	660	181	539.8	590.6	117.5	M24	51	94	379	289	190.5
170mm												
180mm												

FEATURES/BENEFITS PAGE B6-2	NOMENCLATURE PAGE B6-4	SELECTION PAGE B6-5	SELECTION/DIMENSIONS PAGE B6-8
--------------------------------	---------------------------	------------------------	-----------------------------------



# SELECTION/DIMENSIONS



## DOUBLE-INTERLOCK - Metric

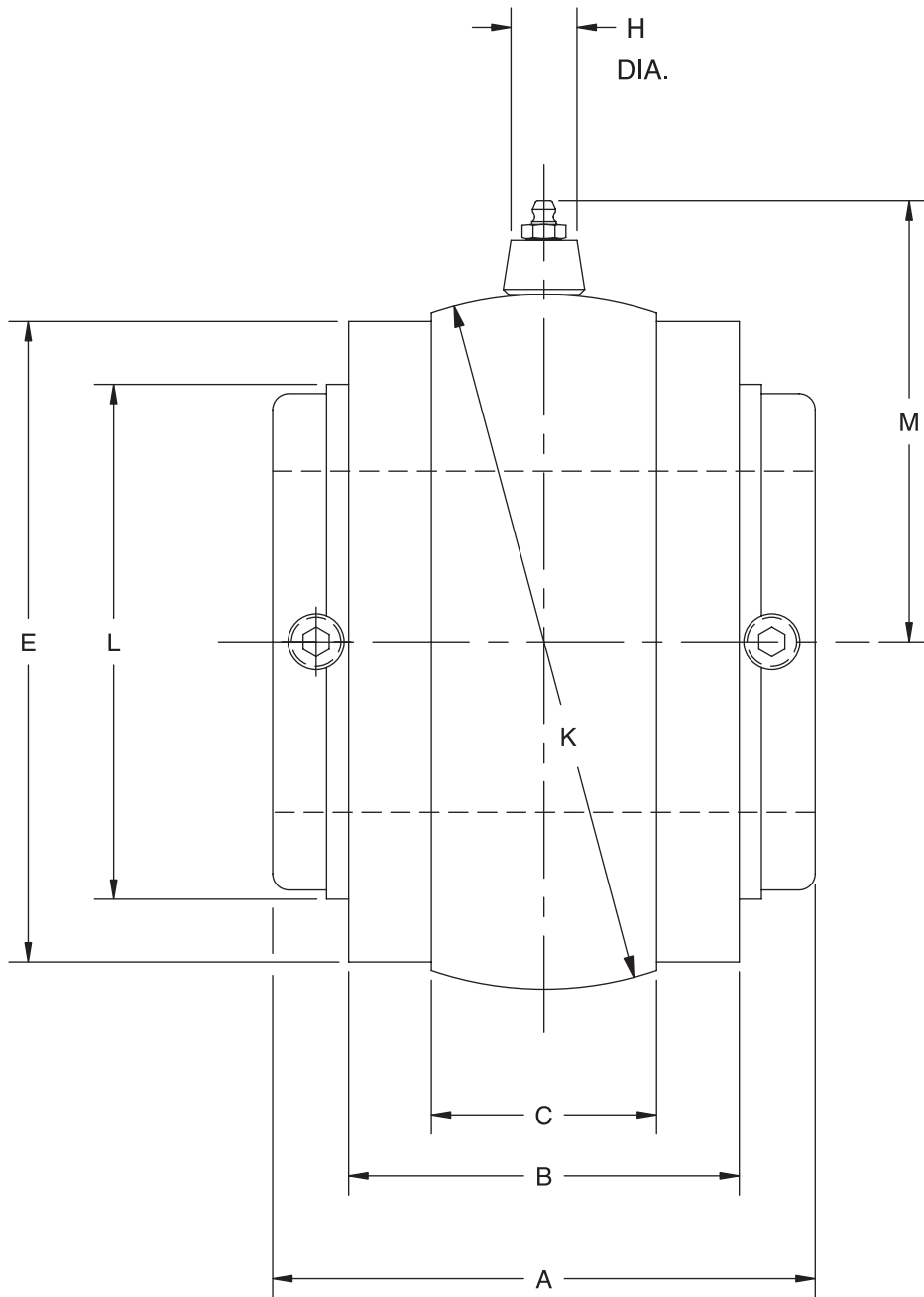
D-LOK

Type E Family

Specialty Tapered

S-2000

UNISPHERE II



FEATURES/BENEFITS PAGE B6-2	NOMENCLATURE PAGE B6-4	SELECTION PAGE B6-5	SELECTION/DIMENSIONS PAGE B6-8
--------------------------------	---------------------------	------------------------	-----------------------------------

# SELECTION/DIMENSIONS



## DOUBLE-INTERLOCK - Metric

METRIC DOUBLE INTERLOCK "S-1" UNITS - FRAY IRON			
SHAFT SIZE #	PART NUMBER	PART NAME	WEIGHT LBS (APPROX)
35mm	023700	S1U-DI-035M	5
40mm	023701	S1U-DI-040M	6
45mm	023702	S1U-DI-045M	8
50mm	023703	S1U-DI-050M	8
55mm	023704	S1U-DI-055M	10
60mm	023705	S1U-DI-060M	11
65mm	023706	S1U-DI-065M	10
70mm	023707	S1U-D9-070M	17
75mm	023708	S1U-DI-075M	17
80mm	023709	S1U-DI-080M	33
85mm	023710	S1U-DI-085M	32
90mm	023711	S1U-DI-090M	31
100mm	023712	S1U-DI-100M	42
110mm	023713	S1U-DI-110M	55
115mm	023714	S1U-DI-115M	71
125mm	023715	S1U-DI-125M	85

For housing references see the following pages: Pillow Blocks (B6-22 - B6-25) Flange Bearings (B6-26 - B6-29)

SHAFT SIZE (mm)	A	B	C	E		H DIA	K	L	M
				MACH SIZE	CAST SIZE				
35mm	3.00	2.063	1.156	3.250	3-5/16	0.688	3.625*	2.750	2.640
40mm	3.375	2.313	1.188	3.750	3-13/16	.0688	4.125*	3.188	2.890
45mm	3.500	2.875	1.500	4.125	4-3/16	0.688	4.562*	3.438	3.100
50mm									
55mm	3.750	2.563	1.563	4.500	4-5/8	0.688	5.000*	3.750	3.320
60mm	4.000	2.750	1.438	4.812	4-7/8	0.688	5.186*	4.063	3.410
65mm									
70mm	4.500	3.000	1.875	5.563	5-5/8	0.688	6.061*	4.719	3.850
75mm									
80mm	5.000	3.500	2.00	6.813	6-7/8	0.688	7.373#	5.531	4.510
85mm									
90mm									
100mm	6.250	4.500	2.375	7.438	7-1/2	0.313	7.997#	6.125	5.160
110mm	6.750	4.625	2.375	8.313	8-3/8	0.313	8.872#	6.438	5.600
115mm									
125mm	7.250	5.125	2.875	9.563	9-5/8	0.313	10.184#	7.438	6.260

ALL DIMENSIONS ARE SHOWN IN INCHES

\* +.000 to -.001"  
# +/- .0005"

FEATURES/BENEFITS PAGE B6-2	NOMENCLATURE PAGE B6-4	SELECTION PAGE B6-5	SELECTION/DIMENSIONS PAGE B6-8
--------------------------------	---------------------------	------------------------	-----------------------------------

# NOTES



D-LOK

Type E Family

Specialty Tapered

S-2000

UNISPHERE II

FEATURES/BENEFITS PAGE B5-2	NOMENCLATURE PAGE B5-4	SELECTION PAGE B5-5	SELECTION/DIMENSIONS PAGE B5-8
--------------------------------	---------------------------	------------------------	-----------------------------------



# CONTENTS



## Speciality Tapered Products

### Features / Benefits

Type C	B7-2
Special Duty, Hinged Cap	B7-3
All Steel	B7-4

### Specifications

Type C	B7-5
Special Duty, Hinged Cap & Traction Wheel	B7-22
All Steel	B7-48

### How to Order

Type C	B7-6
Special Duty, Hinged Cap	B7-23
All Steel	B7-49

### Nomenclature

Type C	B7-7
Special Duty, Hinged Cap & Traction Wheel	B7-24
All Steel	B7-50

### Selection

Type C	B7-8
Special Duty, Hinged Cap & Traction Wheel	B7-25
All Steel	B7-51

### Selection / Dimensions

Type C	
Pillow Block	B7-10
Flanges	B7-14
Units	B7-16
Take-Ups	B7-18
Hanger Bearings	B7-20

#### Special Duty

Pillow Blocks	B7-32
Flanges	B7-38
Units	B7-40
Hinged Caps	B7-44
Traction Wheel	B7-47

#### All Steel

Pillow Blocks	B7-56
Cartridge Units	B7-58

Part Number Index	INDEX-1
-------------------	---------

Key Word Index	INDEX-34
----------------	----------

D-LOK

Type E Family

Speciality Tapered

S-2000

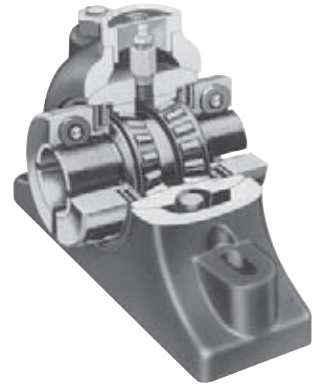
UNISPHERE II

# FEATURES/BENEFITS

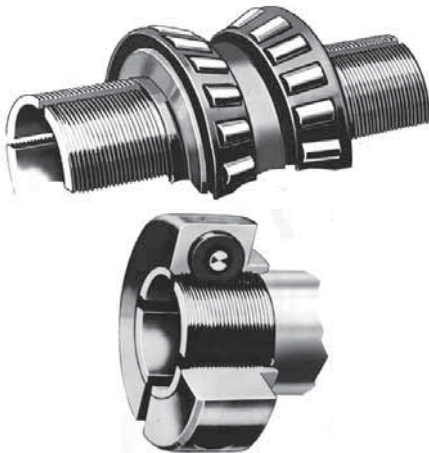


## Speciality Tapered Products TYPE C

- Positive Concentric Clamp Sleeve Mounting
- Steel Multiple Labyrinth Seals
- 2 Quality Single Row
- Tapered Roller Assemblies
- Rugged Two-Piece Housing
- Elongated Bolt Holes



2-1/2" to 5" NE Construction Shown,  
Expansion also Available



### CLAMP SLEEVE MOUNTING -

- Two quality single row tapered bearings press fitted on sleeve
- Outer races shouldered against rib in housing
- Offers improved concentricity over other collar mounted types of bearings
- Best bearing unit for wheel or sprocket applications
- Two piece split collars used on 2-1/2" and larger sizes
- Single piece split collars, used on smaller sizes
- Performs flinger like function keeping many materials away from seal



### STEEL MULTIPLE LABYRINTH SEALS

- Combine with collars offering excellent resistance to keep contaminants out of the bearing
- Seal bearing both on and off the shaft before, during and after installation
- Especially well suited on applications where dirt and dust are severe



### RUGGED TWO PIECE OUTER HOUSING

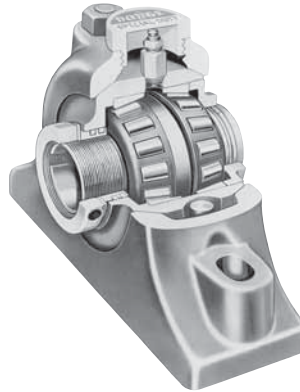
- Split housing of heavy duty gray iron construction houses completely assembled inner unit
- Elongated bolt holes provide lateral adjustment for ease of installing pillow blocks

# FEATURES/BENEFITS

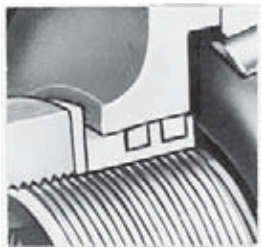


## Speciality Tapered Products SPECIAL DUTY

- Quality Duplex Tapered
- Roller Bearing
- Tapered Adapter Sleeve
- Mounting
- Effective Piston Ring Seals
- Rugged Two-Piece Housing
- Elongated Bolt Holes



1-3/8" to 3-1/2" NE Type Construction Shown



### SPECIAL DUTY PILLOW BLOCKS DUAL PISTON RING SEALS -

- Contained within self aligning inner unit, to be unaffected by misalignment
- Seal bearing both on and off the shaft before, during and after installation
- Extremely close clearances to exclude most materials from entering bearings



### TAPERED ADAPTER SLEEVE MOUNTING

- A split tapered adapter sleeve extending thru the entire length of the pillow block is used to securely fasten the bearing to the shaft tighter than shorter adapter sleeves
- A single adapter nut is used on sizes 3-1/2" and smaller with two adapter nuts being used on the larger sizes. The adapter nut at the large end of the taper can be used to remove the bearing from the shaft



### DUPLEX TAPERED ROLLER BEARING

- Uses case hardened inner race, outer races and rollers with adapter sleeve mounting resulting in unsurpassed load handling capability and longer useful bearing life
- Handles any combination of radial and thrust load from 100% radial load to 100% thrust load



### RUGGED TWO PIECE OUTER HOUSING

- Split housing of heavy duty gray iron construction houses completely assembled inner unit
- Elongated bolt holes provide lateral adjustment for ease of installing pillow blocks

D-LOK

Type E Family

Speciality Tapered

S-2000

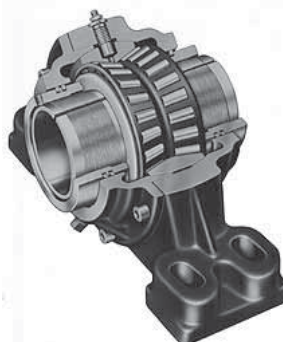
UNISPHERE II

# FEATURES/BENEFITS



## Speciality Tapered Products ALL STEEL

- Quality Duplex Tapered Roller Bearing
- Tapered Adapter Sleeve Mounting
- Dual Piston Ring Seals
- Solid One-Piece Cast Steel Housing



### DUPLEX TAPERED ROLLER BEARING

- Uses case hardened inner race, outer races and rollers with adapter sleeve mounting resulting in unsurpassed load handling capability and longer useful bearing life.
- Handles any combination of radial and thrust load from 100% radial load to 100% thrust load



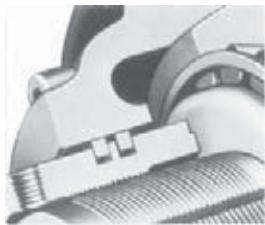
### TAPERED ADAPTER SLEEVE MOUNTING

- A split tapered adapter sleeve extending thru the entire length of the pillow block is used to securely fasten the bearing to the shaft tighter than shorter adapter sleeves
- Two ductile iron adapter nuts are used with the All Steel pillow blocks. The adapter nut at the small end of the taper is used to tighten the bearing to the shaft with the adapter nut at the large end of the taper used to remove the bearing from the shaft.



### DUAL PISTON RING SEALS

- Dual piston ring seals are housed in accurately machined grooves in the adapter nuts resulting efficient labyrinth sealing action throughout the full range of misalignment.
- Seal bearing both on and off the shaft before, during and after installation



### RUGGED TWO PIECE OUTER HOUSING

- Vertically split housing of heavy duty cast steel ribbed construction houses duplex tapered roller bearing.
- Elongated bolt holes provide lateral adjustment for ease of installing pillow blocks



D-LOK

Type E Family

Speciality Tapered

S-2000

UNISPHERE II

# SPECIFICATION



## Type C

The standard housing material for Type C mounted bearings is ASTM A48 Class 30 Iron having a minimum tensile strength of 30,000 psi. The outer housings for the pillow blocks and flange bearings are of split construction for ease of replacement of the completely assembled, adjusted and lubricated inner units. The housings for the take-ups, hanger bearings, D, S-1 and B-1 units are of solid one piece construction. Pillow blocks and flange bearings are available in both expansion and non-expansion styles. Take up and hanger bearings are available as non expansion only.

mounted bearings all have case carburized inner races (cones), outer races (cups) and rollers.

The Type C bearing is mounted to the shaft by clamping the sleeve to the shaft at the slotted threaded end of the sleeve with flinger collars. These collars are one piece construction for sizes thru 2-1/2", with larger sizes using collars of two piece construction. The bearing rating for the type C is determined by the sleeve resulting in a L10 life at maximum speed of at least 100,000 hours.

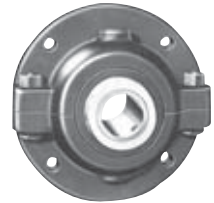
The Type C mounted bearing has indirect mounted tapered roller bearings press fitted on a common sleeve with the outer race shouldered against a rib in the housing. The tapered roller bearings used in the Type C

Steel multiple labyrinth seals are used to offer extra resistance to keep contaminants out of the bearing before, during, and after installation.



### TYPE C AVAILABLE IN

- PILLOW BLOCKS, 2 BOLT BASE 1-3/16" TO 3-7/16"
- PILLOW BLOCKS, 4 BOLT 2-3/8" TO 4-15/16"
- FLANGE BEARINGS 4 BOLT 1-3/16" TO 3-7/16"
- ALL IN EITHER EXPANSION OR NON-EXPANSION



- HANGER BEARINGS 1-15/16" TO 3-7/16"
- TAKE-UP BEARINGS 1-3/16" TO 2-15/16"



D, S-1 OR B-1 UNITS 1-3/16" TO 4-15/16"

FEATURES/BENEFITS PAGE B7-2	NOMENCLATURE PAGE B7-7	SELECTION PAGE B7-8	SELECTION/DIMENSIONS PAGE B7-10
--------------------------------	---------------------------	------------------------	------------------------------------

# HOW TO ORDER



## Type C

There are two ways to specify DODGE Bearings. Most of the product offering have part numbers with listings shown throughout this catalog. Use of part numbers ensures accurate order processing.

When part numbers are not shown, the product may be specified by description or part name. This method is used when ordering units that include modifications or options. To order by description, use the nomenclature key shown on page B7-7 and add any special instructions to the end of the description for options not covered by the nomenclature.

### SPECIAL BEARING REQUIREMENTS AND SPECIAL LUBRICANTS

DODGE Type C Bearings are factory adjusted and pre-lubricated. For applications where extreme ambient temperatures, high speeds or high loads are expected, a variety of specialty lubricants and adjustments are available. Standard grease provided is Mobilith AW2

for bore size up to 5". Above 5" bore, Mobilux EP #2 is standard. Special lubricant options usually involve set-up charges and premiums. To order, specify type of lubricant required at the end of the product name or after the standard part number.

Example:

065294 except with Mobil Grease HTS #2 grease

or

P2B-C-207 except with Mobil Grease HTS #2 grease

### OTHER SPECIAL REQUIREMENTS NOT LISTED

For applications requiring modifications not listed, we encourage you to contact our Customer Order Engineering Department for Bearings at 864-284-5700.

D-LOK

Type E Family

Specialty Tapered

S-2000

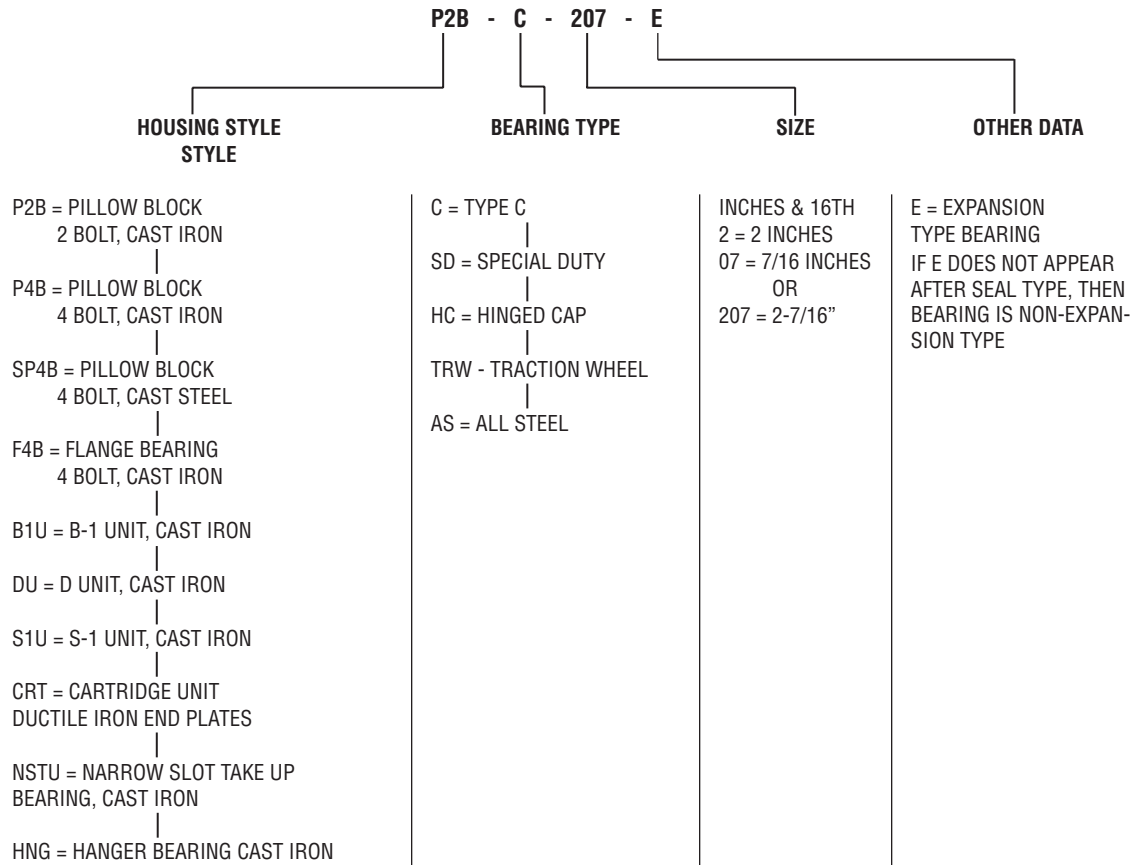
UNISPHERE II

FEATURES/BENEFITS PAGE B7-2	NOMENCLATURE PAGE B7-7	SELECTION PAGE B7-8	SELECTION/DIMENSIONS PAGE B7-10
--------------------------------	---------------------------	------------------------	------------------------------------

# NOMENCLATURE



## Specialty Tapered Products Type C, Special Duty and All Steel



D-LOK

Type E Family

Specialty Tapered

S-2000

UNISPHERE II

FEATURES/BENEFITS PAGE B7-2	NOMENCLATURE PAGE B7-7	SELECTION PAGE B7-8	SELECTION/DIMENSIONS PAGE B7-10
--------------------------------	---------------------------	------------------------	------------------------------------



## Type C

### Type C Bearing

The capacity of the Type C bearing is designed to handle loads normally imposed on the shaft. However, due to the assembly method and method of fastening the bearing to the shaft, there are necessary clearances between the sleeve and the shaft except at the two ends. Consequently, under heavy loads a flexing and stressing of the sleeve will take place as the shaft rotates. For this reason, the Radial Load Ratings shown in Table 1 are based on the sleeve capacity under maximum clearance conditions rather than on the capacity of the roller bearings themselves.

Sleeve capacity being independent of speed, the table gives maximum recommended bearing loads at all allowable speeds and is based on the use of standard

cold finished shafting with commercial undersize tolerances.

Type C bearings are primarily utilized on radial load applications. They have ample thrust capacity for use as the locating bearing normally encountered with this type service. If heavy thrust loads are involved, Application Engineering should be contacted for a review of the application. The maximum thrust load should not exceed Type C pillow block limits shown on page B7-9.

Since these ratings are considerably less than the base bearing ratings, the resulting life expectancy is, for all practical purposes, contingent only on proper lubrication.

**Table 1: Type C radial Load Ratings**

Shaft Size Inches	Radial Load Rating (Lbs.) *	Max. RPM
1-3/16 - 1-7/16	725	3000
1-1/2 - 1-3/4	1000	3000
1-15/16	1350	2500
2 - 2-1/4	1700	2500
2-3/8 - 2-7/16	2100	2000

Shaft Size Inches	Radial Load Rating (Lbs.) *	Max. RPM
2-1/2 - 2-15/16	3000	1750
3 - 3-7/16	4000	1500
3-1/2 - 4	5500	1250
4-7/16 - 4-1/2	6500	1000
4-15/16 - 5	7500	750

\* More than 100,000 L10 hours life at Max. RPM listed.

FEATURES/BENEFITS PAGE B7-2	HOW TO ORDER PAGE B7-6	NOMENCLATURE PAGE B7-7	SELECTION/DIMENSIONS PAGE B7-10
--------------------------------	---------------------------	---------------------------	------------------------------------



# SELECTION



## Type C

**Table 2: Type C Expansion Capability, Inches**

Shaft Size, Inches	Type C		
	2-Bolt	4-Bolt	Flange
	Pillow Block	Pillow Block	
1-3/16 - 1-7/16	3/16	--	3/16
1-1/2 - 1-3/4	5/8	--	1/4
1-15/16	5/8	--	1/4
2 - 2-1/4	5/8	--	1/4
2-3/8 - 2-7/16	5/8	5/8	1/4
2-1/2 - 2-15/16	3/4	5/8	5/8
3 - 3-7/16	3/4	3/4	1/4
3-1/2 - 4	--	3/4	1/4
4-7/16 - 4-1/2	--	3/4	5/8
4-15/16 - 5	--	3/4	5/8

**Table 3: Type C Pillow Block Permissible Thrust Load**

Shaft Size, Inches	Thrust loads, lbs		Shaft Size, Inches	Thrust loads, lbs	
	2-Bolt	4-Bolt		2-Bolt	4-Bolt
1-3/16 - 1-7/16	3000	--	2-1/2 - 2-15/16	6900	9300
1-1/2 - 1-3/4	3150	--	3 - 3-7/16	5700	12000
1-15/16	5000	--	3-1/2 - 4	--	12000
2 - 2-3/16	5000	--	4-7/16 - 4-1/2	--	12000
2-3/8 - 2-7/16	7300	10000	4-15/16 - 5	--	16500

\* The limits in above apply to pillow blocks. For thrust loads larger than listed or heavy thrust loading on other style housings, contact DODGE Engineering for recommendation.

D-LOK

Type E Family

Speciality Tapered

S-2000

UNISPHERE II

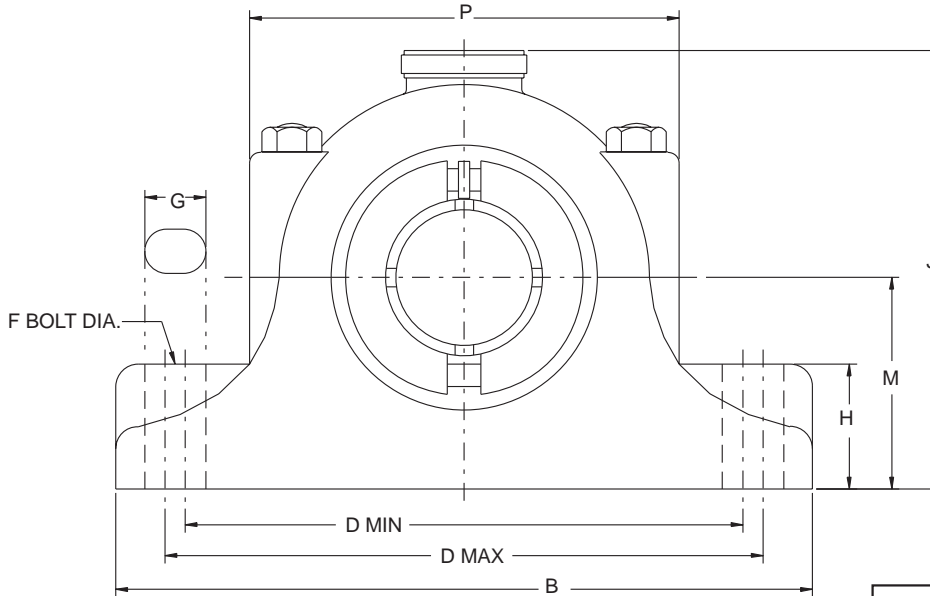
FEATURES/BENEFITS PAGE B7-2	HOW TO ORDER PAGE B7-6	NOMENCLATURE PAGE B7-7	SELECTION/DIMENSIONS PAGE B7-10
--------------------------------	---------------------------	---------------------------	------------------------------------



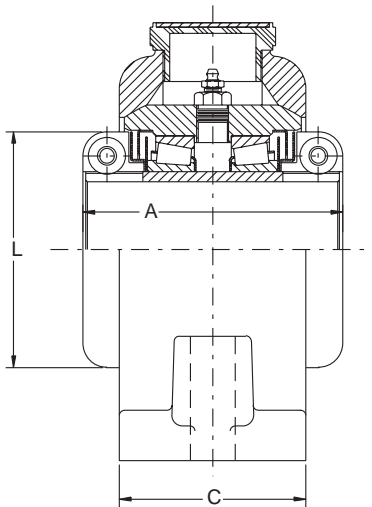
# SELECTION/DIMENSIONS



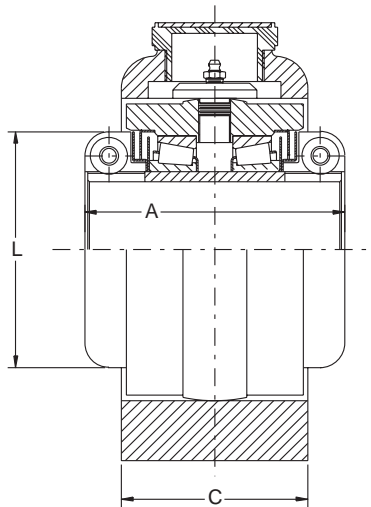
## Type C Pillow Block - Inch 2-BOLT BASE



**NOTE:** All sizes use a 1/8 - 27 NPT hydraulic grease fitting



NON-EXPANSION CONSTRUCTION



EXPANSION CONSTRUCTION

FEATURES/BENEFITS  
PAGE B7-2

HOW TO ORDER  
PAGE B7-6

NOMENCLATURE  
PAGE B7-7

SELECTION  
PAGE B7-8

# SELECTION/DIMENSIONS



## Type C Pillow Block - Inch 2-BOLT BASE

GRAY IRON NON-EXPANSION*			
SHAFT SIZE Inches#	PART NUMBER	PART NAME	WEIGHT LBS (APPROX)
1-3/16	065289	P2B-C-103	21
1-1/4	065311	P2B-C-104	20
1-7/16	065290	P2B-C-107	20
1-1/2	065312	P2B-C-108	28
1-11/16	065291	P2B-C-111	28
1-3/4	065238	P2B-C-112	26
1-15/16	065292	P2B-C-115	29
2	065313	P2B-C-200	47
2-3/16	065293	P2B-C-203	47
2-1/4	065314	P2B-C-204	47
2-7/16	065294	P2B-C-207	57
2-1/2	065315	P2B-C-208	83
2-11/16	065295	P2B-C-211	83
2-7/8	065244	P2B-C-214	83
2-15/16	065296	P2B-C-215	83
3	065316	P2B-C-300	132
3-3/16	065317	P2B-C-303	132
3-7/16	065297	P2B-C-307	128

GRAY IRON EXPANSION			
SHAFT SIZE Inches#	PART NUMBER	PART NAME	WEIGHT LBS (APPROX)
1-3/16	087262	P2B-C-103E	22
1-1/4	087263+	P2B-C-104E	22
1-7/16	087180	P2B-C-107E	20
1-1/2	087264	P2B-C-108E	28
1-11/16	087181	P2B-C-111E	28
1-3/4	087172+	P2B-C-112E	28
1-15/16	087182	P2B-C-115E	29
2	087265	P2B-C-200E	49
2-3/16	087183	P2B-C-203E	49
2-1/4	087266	P2B-C-204E	49
2-7/16	087184	P2B-C-207E	57
2-1/2	087267	P2B-C-208E	90
2-11/16	087185	P2B-C-211E	90
2-7/8	087178	P2B-C-214E	90
2-15/16	087186	P2B-C-215E	90
3	087268	P2B-C-300E	135
3-3/16	087269	P2B-C-303E	135
3-7/16	087187	P2B-C-307E	131

\* FURNISHED UNLESS OTHERWISE SPECIFIED

# CONSULT DODGE FOR SIZES NOT LISTED.

# CONSULT DODGE FOR SIZES NOT LISTED.

+ NON-STOCK - CONSULT DODGE FOR DELIVERY

SHAFT SIZE INCHES	A	B*	C*	D		F BOLT DIA.	G*	H*	J	L Δ	M	P*	EXP**
				MIN.	MAX.								
1-3/16													
1-1/4	4-1/2	9	3	6-7/8	7-5/8	1/2	1	2-1/8	6-1/4	3-3/32	2-7/8	5-7/8	3/16
1-7/16													
1-1/2													
1-11/16	4-7/8	9-1/2	3-3/8	7-3/8	8-1/8	1/2	13/16	2-3/8	6-13/16	3-1/2	3-1/8	6-1/2	5/8
1-3/4													
1-15/16	5-1/4	11	3-1/2	8-1/2	9	5/8	1-1/4	2-1/2	7-1/8	3-7/8	3-1/4	7-3/8	5/8
2													
2-3/16	5-3/4	12	4	9-1/4	10-1/4	5/8	1-3/16	2-7/8	8	4-3/8	3-3/4	8	5/8
2-1/4													
2-7/16	6	13-1/4	4-1/4	10-1/8	11-3/8	3/4	1-1/2	3	8-9/16	4-21/32	4	8-7/8	5/8
2-1/2													
2-11/16	6-1/2	14-1/4	4-3/4	11-1/8	12-3/8	3/4	1-1/2	3-3/4	9-7/8	5-7/16	4-3/4	9-7/8	3/4
2-7/8													
2-15/16													
3													
3-3/16	7	16-3/4	5-1/2	13-1/4	14-1/4	7/8	1-1/2	4	11-3/8	5-15/16	5-1/2	11-5/8	3/4
3-7/16													

**NOTE:** All sizes use a 1/8 - 27 NPT hydraulic grease fitting

Δ A One-piece Collar Furnished Up Thru 2-7/16 Sizes. Larger Sizes Use A Two-piece Collar.

\* These Are As Cast Surfaces. Dimensions May Fluctuate Due To Draft Angles And Pattern Shifts

\*\* EXP - Total Expansion For Expansion Bearing Only

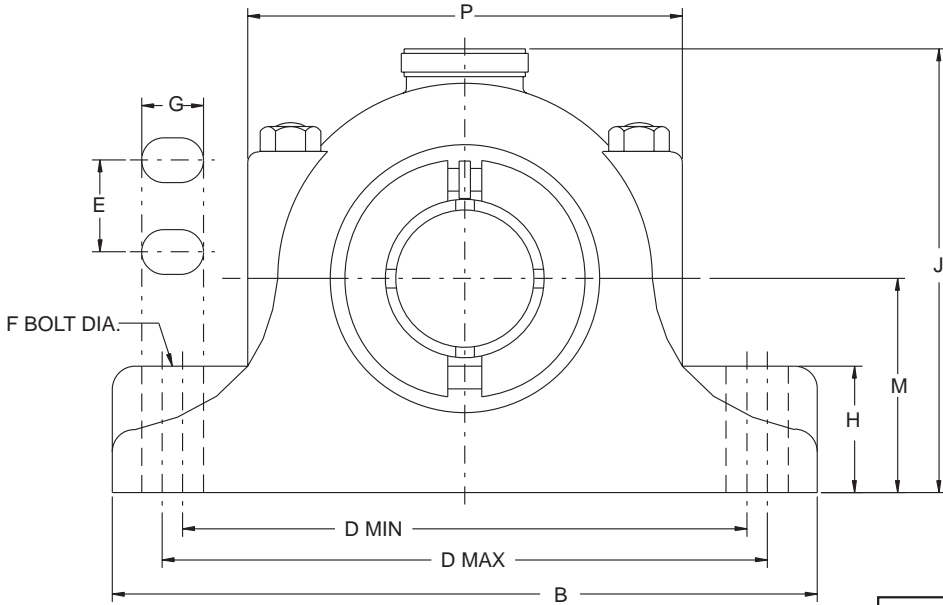
FEATURES/BENEFITS PAGE B7-2	HOW TO ORDER PAGE B7-6	NOMENCLATURE PAGE B7-7	SELECTION PAGE B7-8
--------------------------------	---------------------------	---------------------------	------------------------



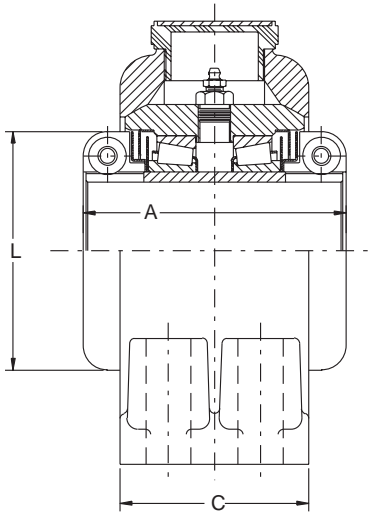
# SELECTION/DIMENSIONS



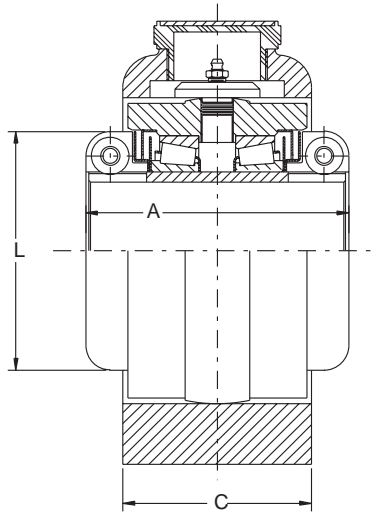
## Type C Pillow Block - Inch 4-BOLT BASE



**NOTE:** All sizes use a 1/8 - 27 NPT hydraulic grease fitting



NON-EXPANSION CONSTRUCTION



EXPANSION CONSTRUCTION

FEATURES/BENEFITS  
PAGE B7-2

HOW TO ORDER  
PAGE B7-6

NOMENCLATURE  
PAGE B7-7

SELECTION  
PAGE B7-8

# SELECTION/DIMENSIONS



## Type C Pillow Block - Inch 4-BOLT BASE

GRAY IRON NON-EXPANSION*			
SHAFT SIZE Inches#	PART NUMBER	PART NAME	WEIGHT LBS (APPROX)
2-7/16	<b>065310</b>	P4B-C-207	59
2-15/16	<b>065302</b>	P4B-C-215	85
3-7/16	<b>065303</b>	P4B-C-307	130
3-15/16	<b>065298</b>	P4B-C-315	230
4-7/16	<b>065299</b>	P4B-C-407	280
4-15/16	<b>065300</b>	P4B-C-415	370

\* FURNISHED UNLESS OTHERWISE SPECIFIED

# CONSULT DODGE FOR SIZES NOT LISTED.

GRAY IRON EXPANSION			
SHAFT SIZE Inches#	PART NUMBER	PART NAME	WEIGHT LBS (APPROX)
2-7/16	<b>087191</b>	P4B-C-207E	59
2-15/16	<b>087192</b>	P4B-C-215E	85
3-7/16	<b>087193</b>	P4B-C-307E	135
3-15/16	<b>087188</b>	P4B-C-315E	230
4-7/16	<b>087189</b>	P4B-C-407E	290
4-15/16	<b>087190</b>	P4B-C-415E	380

# CONSULT DODGE FOR SIZES NOT LISTED.

SHAFT SIZE INCHES	A	B*	C*	D		E	F BOLT DIA.	G*	H*	J	L Δ	M	P*	EXP**
				MIN.	MAX.									
2-7/16	6	13-1/4	4-1/4	10	11-1/2	2-1/2	5/8	1-1/2	3	8-9/16	4-21/32	4	8-7/8	5/8
2-15/16	6-1/2	14-1/4	4-3/4	11	12-1/2	2-3/4	5/8	1-1/2	3-3/4	9-7/8	5-7/16	4-3/4	9-7/8	5/8
3-7/16	7	16-3/4	5-1/2	12-7/8	14-5/8	3-1/4	3/4	1-1/2	4	11-3/8	5-15/16	5-1/2	11-5/8	3/4
3-15/16	9-1/2	19	7	15	16	3-1/4	7/8	1-1/2	4	13-3/8	7-3/8	6-3/8	13-7/8	3/4
4-7/16	10	20	7-1/2	15-5/8	17-3/8	3-1/2	7/8	1-7/8	4	14-1/2	8-3/8	7-1/4	15-1/4	3/4
4-15/16	11-1/4	23	8-1/4	17-3/4	19-3/4	3-3/4	1	2-1/8	4-1/4	15-5/8	9-3/8	7-1/2	16-3/4	3/4

**NOTE:** All sizes use a 1/8 - 27 NPT hydraulic grease fitting

Δ A One-piece Collar Furnished Up Thru 2-7/16 Sizes. Larger Sizes Use A Two-piece Collar.

\* These Are As Cast Surfaces. Dimensions May Fluctuate Due To Draft Angles And Pattern Shifts

\*\* EXP - Total Expansion For Expansion Bearing Only

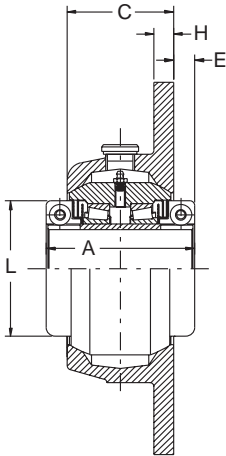
FEATURES/BENEFITS PAGE B7-2	HOW TO ORDER PAGE B7-6	NOMENCLATURE PAGE B7-7	SELECTION PAGE B7-8
--------------------------------	---------------------------	---------------------------	------------------------



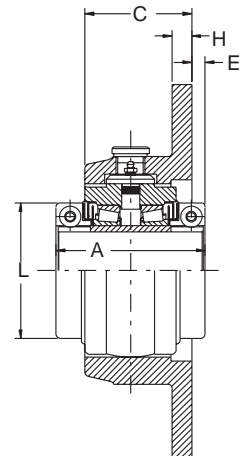
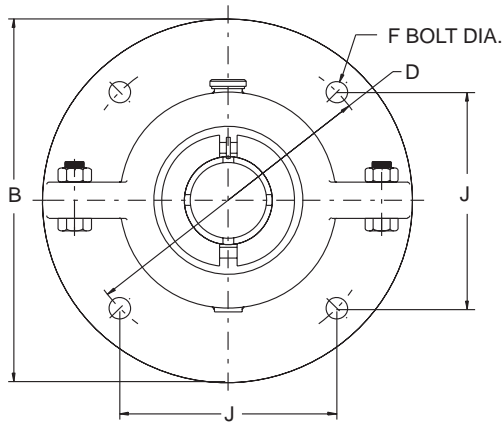
# SELECTION/DIMENSIONS



## Type C Flange Bearing - Inch



NON-EXPANSION CONSTRUCTION



EXPANSION CONSTRUCTION

GRAY IRON NON-EXPANSION*			
SHAFT SIZE Inches#	PART NUMBER	PART NAME	WEIGHT LBS (APPROX)
1-7/16	<b>104040</b>	F4B-C-107	21
1-11/16	<b>104041</b>	F4B-C-111	31
1-3/4	<b>104106</b>	F4B-C-112	31
1-15/16	<b>104042</b>	F4B-C-115	37
2-3/16	<b>104043</b>	F4B-C-203	49
2-7/16	<b>104044</b>	F4B-C-207	63
2-15/16	<b>104045</b>	F4B-C-215	98
3	<b>104119</b>	F4B-C-300	140
3-7/16	<b>104046</b>	F4B-C-307	140

\* FURNISHED UNLESS OTHERWISE SPECIFIED

# CONSULT DODGE FOR SIZES NOT LISTED.

GRAY IRON EXPANSION			
SHAFT SIZE Inches#	PART NUMBER	PART NAME	WEIGHT LBS (APPROX)
1-7/16	<b>104050</b>	F4B-C-107E	21
1-11/16	<b>104051</b>	F4B-C-111E	31
1-3/4	<b>104078</b>	F4B-C-112E	31
1-15/16	<b>104052</b>	F4B-C-115E	38
2-3/16	<b>104053</b>	F4B-C-203E	49
2-7/16	<b>104054</b>	F4B-C-207E	63
2-15/16	<b>104055</b>	F4B-C-215E	98
3	<b>104090</b>	F4B-C-300E	140
3-7/16	<b>104056</b>	F4B-C-307E	140

# CONSULT DODGE FOR SIZES NOT LISTED.

FEATURES/BENEFITS PAGE B7-2	HOW TO ORDER PAGE B7-6	NOMENCLATURE PAGE B7-7	SELECTION PAGE B7-8
--------------------------------	---------------------------	---------------------------	------------------------

# SELECTION/DIMENSIONS



## Type C Flange Bearing - Inch

D-LOK

Type E Family

Speciality Tapered

S-2000

UNISPHERE II

SHAFT SIZE INCHES	A	B	C	D	E	F BOLT DIA.	H	J	L Δ	EXP*
1-7/16	4-1/2	8-1/4	3	7	3/4	1/2	5/8	4.950	3-3/32	3/16
1-11/16 1-3/4	4-7/8	9	3-3/8	7-5/8	3/4	1/2	11/16	5.392	3-1/2	1/4
1-15/16	5-1/4	10	3-1/2	8-3/8	7/8	5/8	3/4	5.922	3-7/8	1/4
2-3/16	5-3/4	10-3/4	4	9-1/8	7/8	5/8	13/16	6.452	4-3/8	1/4
2-7/16	6	12	4-1/4	10-1/4	7/8	3/4	7/8	7.248	4-21/32	1/4
2-15/16	6-1/2	13	4-5/8	11-1/4	15/16	3/4	1	7.955	5-7/16	5/8
<sup>3</sup> 3-7/16	7	14-1/2	5-3/8	12-1/2	13/16	7/8	1-1/8	8.839	5-15/16	1/4

Δ A One-Piece Collar Furnished Up Thru 2-7/16 Sizes.  
Larger Sizes Use A Two-Piece Collar.

\* EXP - Total Expansion For Expansion Bearing Only.

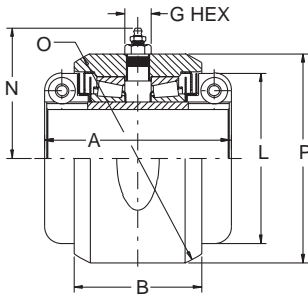
FEATURES/BENEFITS PAGE B7-2	HOW TO ORDER PAGE B7-6	NOMENCLATURE PAGE B7-7	SELECTION PAGE B7-8
--------------------------------	---------------------------	---------------------------	------------------------



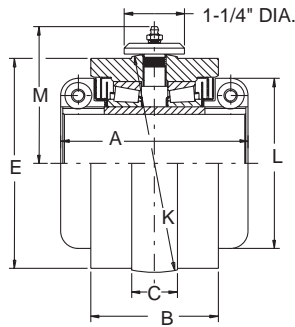
# SELECTION/DIMENSIONS



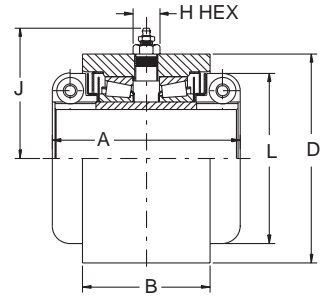
## Type C Units - Inch



**D UNIT**  
USED IN NON-EXPANSION  
HOUSINGS



**S-1 UNIT**  
USED IN EXPANSION  
HOUSINGS



**B-1 UNIT**  
USED IN CUSTOMER  
MANUFACTURED HOUSINGS

SHAFT SIZE INCHES #	D UNITS		S-1 UNITS		B-1 UNITS		WEIGHT LBS (APPROX)
	PART NUMBER	PART NAME	PART NUMBER	PART NAME	PART NUMBER	PART NAME	
1-7/16	<b>065282</b>	DU-C-107	<b>087199</b>	S1U-C-107	<b>069060</b>	B1U-C-107	7
1-1/2	<b>065258</b>	DU-C-108	<b>087205</b>	S1U-C-108	----	----	11
1-11/16	<b>065283</b>	DU-C-111	<b>087200</b>	S1U-C-111	<b>069061</b>	B1U-C-111	11
1-3/4	<b>065260</b>	DU-C-112	<b>087207</b>	S1U-C-112	----	----	11
1-15/16	<b>065284</b>	DU-C-115	<b>087194</b>	S1U-C-115	<b>069062</b>	B1U-C-115	12
2	<b>065262</b>	DU-C-200	<b>087209</b>	S1U-C-200	<b>069034</b>	B1U-C-200	18
2-3/16	<b>065285</b>	DU-C-203	<b>087195</b>	S1U-C-203	<b>069063</b>	B1U-C-203	17
2-1/4	<b>065265</b>	DU-C-204	<b>087215</b>	S1U-C-204	----	----	17
2-7/16	<b>065286</b>	DU-C-207	<b>087196</b>	S1U-C-207	<b>069064</b>	B1U-C-207	20
2-1/2	----	----	----	----	<b>069039</b>	B1U-C-208	35
2-11/16	<b>065268</b>	DU-C-211	<b>087218</b>	S1U-C-211	----	----	34
2-7/8	<b>065270</b>	DU-C-214	<b>087220</b>	S1U-C-214	----	----	34
2-15/16	<b>065287</b>	DU-C-215	<b>087197</b>	S1U-C-215	<b>069065</b>	B1U-C-215	34
3	<b>065271</b>	DU-C-300	<b>087221</b>	S1U-C-300	----	----	55
3-3/16	----	----	<b>087222</b>	S1U-C-303	<b>069045</b>	B1U-C-303	53
3-1/4	----	----	----	----	<b>069046</b>	B1U-C-304	53
3-7/16	<b>065288</b>	DU-C-307	<b>087198</b>	S1U-C-307	<b>069066</b>	B1U-C-307	51
3-1/2	<b>065274</b>	DU-C-308	<b>087224</b>	S1U-C-308	----	----	115
3-11/16	----	----	<b>087225</b>	S1U-C-311	----	----	115
3-15/16	<b>065304</b>	DU-C-315	<b>087210</b>	S1U-C-315	<b>069067</b>	B1U-C-315	115
4	----	----	----	----	<b>069069</b>	B1U-C-400	115
4-7/16	<b>065305</b>	DU-C-407	<b>087211</b>	S1U-C-407	----	----	138
4-15/16	<b>065306</b>	DU-C-415	<b>087212</b>	S1U-C-415	----	----	190

#CONSULT DODGE FOR SIZES NOT LISTED.

FEATURES/BENEFITS PAGE B7-2	HOW TO ORDER PAGE B7-6	NOMENCLATURE PAGE B7-7	SELECTION PAGE B7-8
--------------------------------	---------------------------	---------------------------	------------------------



# SELECTION/DIMENSIONS



## Type C Units - Inch

SHAFT SIZE INCHES	A	B	C	D**	E	G HEX	H	J	K**	L	M	N	O**	P
1-7/16	4-1/2	2-11/16	3/4	3-7/8	3-13/16	7/16	5/8	3-1/8	4-1/16*	3-3/32	2-11/16	2-1/2	4-7/16	3-15/16
1-1/2														
1-11/16	4-7/8	3-1/8	3/4	4-1/4	4-1/8	7/16	5/8	3-5/16	4-7/16*	3-1/2	2-7/8	2-3/4	5	4-1/2
1-3/4														
1-15/16	5-1/4	3-1/4	7/8	4-3/4	4-1/2	7/16	5/8	3-9/16	4-13/16*	3-7/8	3-1/16	2-7/8	5-5/16	4-3/4
2														
2-3/16	5-3/4	3-3/4	7/8	5-1/4	5	7/16	5/8	3-13/16	5-3/8*	4-3/8	5-5/16	3-3/16	6	5-3/8
2-1/4														
2-7/16	6	4	1	5-3/4	5-5/16	5/8	5/8	4-1/16	5-11/16*	4-21/32	3-1/2	4-3/32	6-3/8	5-11/16
2-1/2														
2-11/16	6-1/2	4-7/16	1	6-1/2	6-3/16	5/8	3/4	4-5/8	6-9/16*	5-7/16	4-1/2	4-1/2	7-5/16	6-1/2
2-7/8														
2-15/16														
3														
3-3/16	7	5	1-1/4	7-3/4	7-1/2	5/8	3/4	5-1/4	8#	5-15/16	4-7/8	5-9/16	8-5/8	7-29/32
3-1/4														
3-7/16														
3-1/2														
3-11/16	9-1/2	6-1/4	1-1/2	9-1/4	8-13/16	5/8	3/4	6	9-1/2#	7-3/8	5-5/8	6-3/8	10-1/4	9-3/4
3-15/16														
4														
4-7/16	10	6-5/8	1-3/4	10-1/2	9-15/16	3/4	3/4	6-5/8	10-5/8#	8-3/8	6-3/16	6-11/16	11-1/8	10-3/8
4-15/16	11-1/4	7-3/8	2	11-3/4	10-15/16	3/4	3/4	7-1/4	11-1/2#	9-3/8	6-5/8	7-7/16	12-1/2	11-7/8

**NOTE:** All sizes use a 1/8 - 27 NPT hydraulic grease fitting

- .002  
\*\* + .000

Δ A One-Piece Collar Furnished Up Thru 2-7/16 Sizes. Larger Sizes Use A Two-Piece Collar

FEATURES/BENEFITS PAGE B7-2	HOW TO ORDER PAGE B7-6	NOMENCLATURE PAGE B7-7	SELECTION PAGE B7-8
--------------------------------	---------------------------	---------------------------	------------------------



# SELECTION/DIMENSIONS

# DODGE®

## Type C Take-Up Bearing

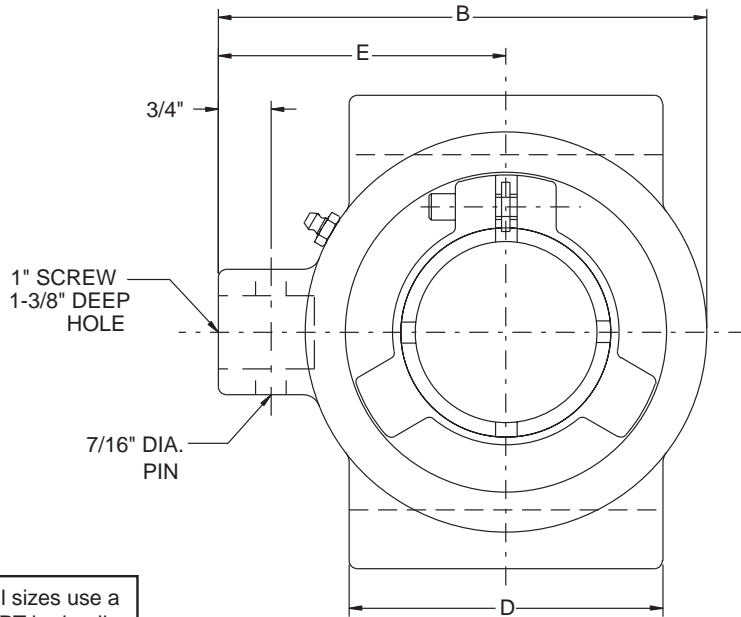
D-LOK

Type E Family

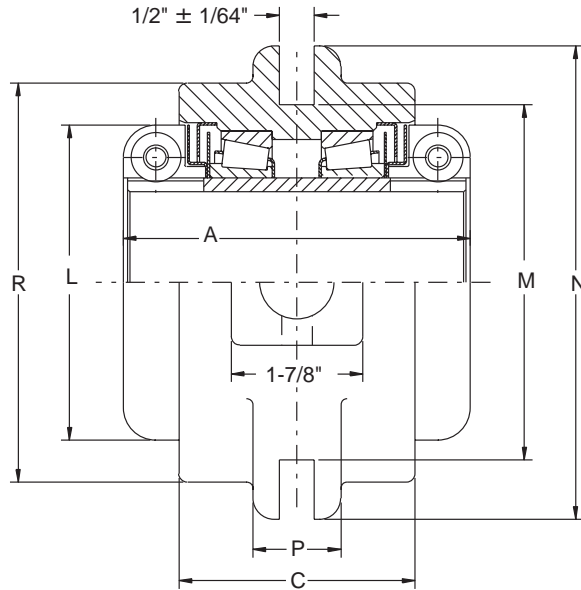
Specialty Tapered

S-2000

UNISPHERE II



**NOTE:** All sizes use a 1/8 - 27 NPT hydraulic grease fitting



FEATURES/BENEFITS PAGE B7-2	HOW TO ORDER PAGE B7-6	NOMENCLATURE PAGE B7-7	SELECTION PAGE B7-8
--------------------------------	---------------------------	---------------------------	------------------------

# SELECTION/DIMENSIONS



## Type C Take-Up Bearing

GRAY IRON			
SHAFT SIZE INCHES #	PART NUMBER	PART NAME	WEIGHT LBS (APPROX)
1-7/16	<b>036116</b>	NSTU-C-107	12
1-1/2	<b>036054</b>	NSTU-C-108	15
1-15/16	<b>036118</b>	NSTU-C-115	18
2-3/16	<b>036119</b>	NSTU-C-203	26
2-7/16	<b>036120</b>	NSTU-C-207	27
2-15/16	<b>036121</b>	NSTU-C-215	37

# CONSULT DODGE FOR SIZES NOT LISTED.

SHAFT SIZE INCHES	A	B	C	D	E	L	M	N	P	R
1-7/16	4-1/2	5-5/8	2-11/16	2-1/2	3-5/8	3-3/32	5-1/8	6-1/4	1-1/4	4
1-1/2	4-7/8	5-7/8	3-1/8	3	3-5/8	3-1/2	5-1/8	6-1/4	1-1/4	4-1/4
1-15/16	5-1/4	6	3-1/4	3-1/2	3-5/8	3-7/8	5-1/8	6-1/4	1-1/4	4-3/4
2-3/16	5-3/4	7	3-3/4	4-1/2	4-1/8	4-3/8	5-1/8	6-1/4	1-1/4	5-3/4
2-7/16	6	7	4	4-1/2	4-1/8	4-21/32	5-1/8	6-1/4	1-1/4	5-3/4
2-15/16	6-1/2	7-3/4	4-7/16	5	4-1/2	5-7/16	6-1/8	7-1/4	1-1/4	6-1/2

**Note:** All sizes use a 1/8-27 NPT hydraulic grease fitting

FEATURES/BENEFITS PAGE B7-2	HOW TO ORDER PAGE B7-6	NOMENCLATURE PAGE B7-7	SELECTION PAGE B7-8
--------------------------------	---------------------------	---------------------------	------------------------



# SELECTION/DIMENSIONS



## Type C Hanger Bearing

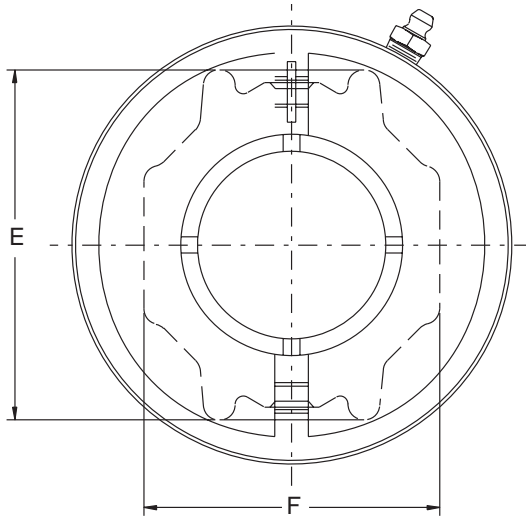
D-LOK

Type E Family

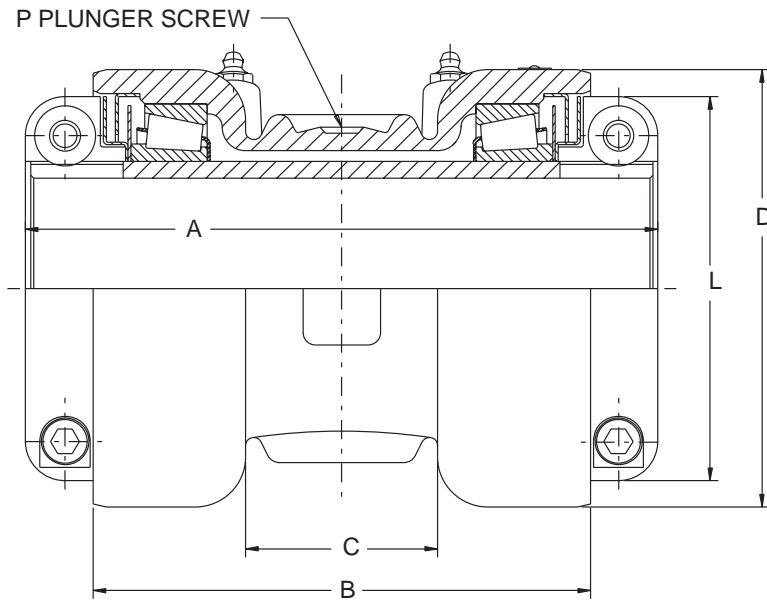
Specialty Tapered

S-2000

UNISPHERE II



**NOTE:** All sizes use a 1/8 - 27 NPT hydraulic grease fitting



FEATURES/BENEFITS  
PAGE B7-2

HOW TO ORDER  
PAGE B7-6

NOMENCLATURE  
PAGE B7-7

SELECTION  
PAGE B7-8

# SELECTION/DIMENSIONS



## Type C Hanger Bearing

GRAY IRON			
SHAFT SIZE INCHES #	PART NUMBER	PART NAME	WEIGHT LBS (APPROX)
1-15/16	<b>061082</b>	HNG-C-115	16
2-3/16	<b>061083</b>	HNG-C-203	21
2-7/16	<b>061084</b>	HNG-C-207	30
2-11/16	<b>061085</b>	HNG-C-211	41
2-15/16	<b>061086</b>	HNG-C-215	40
3-7/16	<b>061087</b>	HNG-C-307	51

# CONSULT DODGE FOR SIZES NOT LISTED.

SHAFT SIZE INCHES	A	B	C	D	E	F	L	P
1-15/16	8-1/4	6-1/4	2-3/4	4-5/8	3-3/8	2-15/16	3-7/8	5/8, 1-1/2
2-3/16	8-7/8	6-7/8	3	5-1/8	3-3/4	3-5/16	4-3/8	5/8, 1-1/2
2-7/16	9-5/8	7-5/8	3	5-3/8	4-1/8	3-1/2	4-21/32	5/8, 1-1/2
2-11/16	10-3/8	8-1/4	3-1/4	6-1/4	4-5/8	4	5-7/16	3/4, 2
2-15/16								
3-7/16	11-1/4	9-1/4	4	6-3/4	5-1/8	4-1/2	5-15/16	3/4, 2-1/2

**Note:** All sizes use a 1/8-27 NPT hydraulic grease fitting

FEATURES/BENEFITS PAGE B7-2	HOW TO ORDER PAGE B7-6	NOMENCLATURE PAGE B7-7	SELECTION PAGE B7-8
--------------------------------	---------------------------	---------------------------	------------------------



## Special Duty

The standard housing material for Special Duty mounted bearings is ASTM A48 Class 30 Iron having a minimum tensile strength of 30,000 psi. The outer housings for the pillow blocks and flange bearings are of split construction for ease of replacement of the completely assembled, adjusted and lubricated inner units. The housings for the D, S-1 and B-1 units are of solid one piece construction. Pillow blocks and flange bearings are available in both expansion and non expansion types.

Special Duty mounted bearings have duplex tapered roller mounted to the shaft with a tapered adaptor sleeve extending thru the complete length of the pillow block. The tapered roller bearings used in the Special Duty mounted bearings all have case carburized inner races (cone), outer races (cup) and rollers. A single adaptor nut is used on sizes thru 3-1/2" with two adaptor nuts being used on the larger sizes. The nut at the large end of the taper can be used to remove the bearing from the shaft.

Special Duty mounted bearings have two piston ring seals running in grooves in the seal ring carriers at each end of the units to seal the bearings both on and off the shaft. Sizes thru 3-1/2" use a grooved seal ring carrier at one end and grooved adaptor at the opposite end for carrying the piston ring seals. Larger sizes have grooved adaptor nuts to carry the piston ring seals.

### SPECIAL DUTY (hinged cap type)

The standard housing material for Special Duty hinged cap bearings is ASTM A48 Class 30 Iron having a minimum tensile strength of 30,000 psi. The housing is equipped with a brass hand wheel for ease of removal of the S-1 unit from the pillow block housing. Hinged cap pillow blocks are available in both expansion and non-expansion types.

Hinged cap pillow blocks and units are mounted to the shaft with a tapered adapter sleeve extending completely thru the unit. The tapered adapter sleeve is equipped with micro mount removal screws for ease of demounting the bearing from the shaft.

The hinged cap pillow blocks are arranged for relubrication from the end of the pillow block rather than from the top of the pillow block. Besides the features specified above the hinged cap pillow blocks have many other features in common with the special duty mounted bearings.

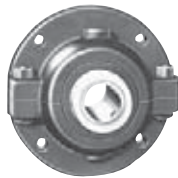
### TRACTION WHEEL

The traction wheel is to be equipped with a ductile iron (ASTM 536 grade 65-45-10) hub, having indirect mounted tapered roller bearings mounted to ASTI 1018 shafting secured in a support and having drops of 7-3/16", 8" and 10". Combination labyrinth and dynaface seals shall be used.

### SPECIAL DUTY AVAILABLE IN



PILLOW BLOCKS,  
2-BOLT BASE  
1-3/8" TO 3-1/2"



FLANGE  
BEARINGS  
4-BOLT  
1-3/16" TO 6"

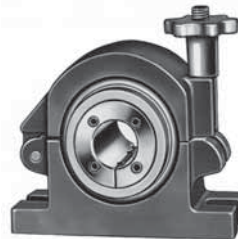


ALL IN EITHER EXPANSION OR NON-EXPANSION  
D, S1 & B1 UNITS 1-3/8" TO 12"



PILLOW BLOCKS,  
4-BOLT BASE  
2-1/4" TO 12"

HINGED CAP PILLOW BLOCKS AVAILABLE IN  
PILLOW BLOCKS, 2-BOLT BASE 1-3/8" TO 2-15/16"  
ALL IN EITHER EXPANSION OR NON-EXPANSION



HINGED CAP S-1 UNITS

1-3/8" TO 2-15/16"



TRACTION WHEEL

FEATURES/BENEFITS PAGE B7-2	NOMENCLATURE PAGE B7-23	SELECTION PAGE B7-25	SELECTION/DIMENSIONS PAGE B7-32
--------------------------------	----------------------------	-------------------------	------------------------------------

# HOW TO ORDER



## Special Duty

There are two ways to specify DODGE Bearings. Most of the product offering have part numbers with listings shown throughout this catalog. Use of part numbers ensures accurate order processing.

When part numbers are not shown, the product may be specified by description or part name. This method is used when ordering units that include modifications or options. To order by description, use the nomenclature key shown on page and add any special instructions to the end of the description for options not covered by the nomenclature.

### SPECIAL BEARING REQUIREMENTS AND LUBRICANTS

DODGE Bearings are factory adjusted and pre-lubricated with lithium based NLGI Grade 2 grease. For applications where extreme ambient temperatures, high speeds or high loads are expected, a variety of specialty lubricants and

adjustments are available. Special lubricant options usually involve set-up charges and premiums. To order, specify type of lubricant required at the end of the product name or after the standard part number.

Example:

066231 except with Mobilith SHC 460 grease and .012-.015 Lateral End Play

or

P4B-SD-215 except with Mobilith SHC 460 grease and .012-.015 Lateral End Play

### OTHER SPECIAL REQUIREMENTS NOT LISTED

For applications requiring modifications not listed, we encourage you to contact our Customer Order Engineering Department for Bearings at 864-284-5700.

D-LOK

Type E Family

Specialty Tapered

S-2000

UNISPHERE II

FEATURES/BENEFITS PAGE B7-2	NOMENCLATURE PAGE B7-24	SELECTION PAGE B7-25	SELECTION/DIMENSIONS PAGE B7-32
--------------------------------	----------------------------	-------------------------	------------------------------------

# NOMENCLATURE



## Specialty Tapered Products

P2B - SD - 207 - E

**HOUSING STYLE  
STYLE**

**BEARING TYPE**

**SIZE**

**OTHER DATA**

P2B = PILLOW BLOCK  
2 BOLT, CAST IRON

P4B = PILLOW BLOCK  
4 BOLT, CAST IRON

SP4B = PILLOW BLOCK  
4 BOLT, CAST STEEL

F4B = FLANGE BEARING  
4 BOLT, CAST IRON

B1U = B-1 UNIT, CAST IRON

DU = D UNIT, CAST IRON

S1U = S-1 UNIT, CAST IRON

CRT = CARTRIDGE UNIT  
DUCTILE IRON END PLATES

NSTU = NARROW SLOT TAKE UP  
BEARING, CAST IRON

HNG = HANGER BEARING CAST IRON

C = TYPE C

SD = SPECIAL DUTY

HC = HINGED CAP

TRW - TRACTION WHEEL

AS = ALL STEEL

INCHES & 16TH  
2 = 2 INCHES  
07 = 7/16 INCHES  
OR  
207 = 2-7/16"

E = EXPANSION  
TYPE BEARING  
IF E DOES NOT  
APPEAR AFTER  
SEAL TYPE, THEN  
BEARING IS NON-  
EXPANSION TYPE

D-LOK

Type E Family

Specialty Tapered

S-2000

UNISPHERE II

FEATURES/BENEFITS  
PAGE B7-2

HOW TO ORDER  
PAGE B7-23

SELECTION  
PAGE B7-25

SELECTION/DIMENSIONS  
PAGE B7-32





## Special Duty

### SPECIAL DUTY-DOUBLE ROW TAPERED ROLLER BEARINGS

DODGE Special Duty Double Row Tapered Roller Bearings have the highest capacity of all DODGE Tapered Roller Bearings. They carry heavy radial loads and combined radial and thrust loads. The maximum recommended load which can be applied is limited by various components in the system such as bearing, housing, shaft, shaft attachment, speed and life requirements as listed in this catalog. DODGE Special Duty Tapered Roller Bearings have been applied successfully even when these limits have been exceeded under controlled operating conditions. Contact DODGE Application Engineering (864) 284-5700 for applications which exceed the recommendations of this catalog.

**L<sub>10</sub> Hours Life\*** --- The life which may be expected from at least 90% of a given group of bearings operating under identical conditions.

$$L_{10} = \left( \frac{C_{90}}{P} \right)^{10/3} \times \left( \frac{1,500,000}{\text{RPM}} \right)$$

Where:

C<sub>90</sub> = Dynamic Capacity (Table 4, pg. B7-28), lbs

P = Equivalent Radial Load, lbs.

#### GENERAL

**Heavy Service** --- For heavy shock loads, frequent shock loads, or severe vibrations, add up to 50% (according to severity of conditions) to the Equivalent Radial Load. Consult DODGE Application Engineering for additional selection assistance.

Thrust load values shown in the table below are recommended as a guide for general applications that will give adequate L<sub>10</sub> life for pillow blocks. The maximum thrust load should not exceed values shown on Table 2. Where substantial radial load is also present, it is advisable to calculate actual L<sub>10</sub> life to assure that it meets the requirements. The effectiveness of the shaft attachment to carry thrust load depends on proper tightening, shaft tolerance (see table below) and shaft deflections. Therefore, it is advisable to use auxiliary thrust carrying devices such as shaft shoulder, snap ring or a thrust collar to locate the bearing under thrust loads heavier than shown below, or where extreme reliability is desired.

RPM RANGE	20-200	201-2000	Over 2000
RECOMMENDED THRUST LOAD	C <sub>90</sub> /4	C <sub>90</sub> /8	C <sub>90</sub> /12

The shaft tolerances recommended below are adequate for normal radial and radial/thrust load applications. Since the allowable load, especially at a low speed, is very large, the shaft should be checked to assure adequate shaft strength.

The magnitude and direction of both the thrust and radial load must be taken into account when selecting a housing. **When pillow blocks are utilized, heavy loads should be directed through the base. Where uplift loads are involved, see Table 9, pg. B7-31 for maximum values.** Where a load pulls the housing away from the mounting base, both the hold-down bolts and housing must be of adequate strength. Auxiliary load carrying devices such as shear bars are advisable for side or end loading of pillow blocks and radial load for flange units.

SHAFT SIZE	TOLERANCE, INCHES
UP TO 1-1/2"	+.000-.002"
1-9/16 TO 2-1/2"	+.000-.003"
2-1/2 TO 4"	+.000-.004"
4-3/16 TO 6"	+.000-.005"
6-7/16 TO 8"	+.000-.006"

L10 Life Adjustment - The calculated L10 Life obtained from this procedure is subject to life adjustment factors

in accordance with ABMA standards described on page B16-9. Consult Application Engineering for assistance.

FEATURES/BENEFITS PAGE B7-2	HOW TO ORDER PAGE B7-23	NOMENCLATURE PAGE B7-24	SELECTION/DIMENSIONS PAGE B7-32
--------------------------------	----------------------------	----------------------------	------------------------------------

# SELECTION



## Special Duty

### SELECTING BEARINGS SUPPORTING RADIAL LOADS ONLY

1. Define  $L_{10}$  Life Hours desired.
2. Establish bearing radial load,  $F_R$  ( $F_R = P$  for Pure Radial Load Conditions). The DODGE program BEST can be used to find application loads.
3. Establish RPM.

Using the easy selection Table 5, pg. B7-28 find, under the RPM column, the equivalent radial load that equals or is higher than the application radial load for the desired life. The shaft size on the far left will be the minimum shaft size that you can use for your application. If the desired life is different than the values shown on the chart, use alternate Method A shown below.

Example:

1.  $L_{10}$  Life = 30,000 Hours
2. Radial load = 3800 lbs.
3. RPM = 1,000

At the intersection of the 1,000 RPM column and the 30,000 hours  $L_{10}$  life row, the equivalent radial load of 5495 lbs. Exceeds the 3800 lbs. Radial load for shaft sizes 2-3/8" to 2-1/2". A bearing with bore ranging from 2-3/8" to 2-1/2" may be used for this application.

### ALTERNATE METHOD A - SELECTING A BEARING FOR AN $L_{10}$ LIFE VALUE NOT SHOWN IN THE EASY SELECTION CHART.

The  $L_{10}$  life equation can be rearranged so that the bearing dynamic capacity C is identified in terms of  $L_{10}$ , RPM and P.

$$C_{90} = \left( \frac{L_{10} \times \text{RPM}}{1,500,000} \right)^{0.3} \times P$$

( $P = F_R$  for Pure Radial Load Conditions)

Since the  $L_{10}$ , RPM, and P are known, solve for  $C_{90}$ . Select from the dynamic capacity column on Table 4, pg. B7-28 the  $C_{90}$  value equal to or greater than the  $C_{90}$  value just calculated. The bore size on the far left represents the bore size selection. Check that the application RPM does not exceed the MAX. RPM on Table 4. When selecting an  $L_{10}$  life of less than 30,000 hours, particular attention must be paid to shaft deflection and proper lubricant selection.

### SELECTING BEARINGS SUPPORTING COMBINATION RADIAL AND THRUST LOADS

When a bearing supports both a radial load and a thrust load, the loading on the two rows is shared unequally depending on the ratio of thrust to radial load. The use of the X (radial factor) and Y (thrust factor) from Table 4 converts the applied thrust load and radial loads to an equivalent radial load having the same effect on the life of the bearing as a radial load of this magnitude.

★ The DODGE Bearing Evaluation and Selection Technique (BEST) is a menu driven computer program that calculates bearing loads, fatigue life and operating temperature for a two bearing shaft system based on user supplied input parameters. This interactive program is available at [www.ptwizord.com](http://www.ptwizord.com) under the Product Selection area.

FEATURES/BENEFITS PAGE B7-2	HOW TO ORDER PAGE B7-23	NOMENCLATURE PAGE B7-24	SELECTION/DIMENSIONS PAGE B7-32
--------------------------------	----------------------------	----------------------------	------------------------------------



## Special Duty

The equivalent radial load  $P = XF_R + YF_A$

Where:

- P = Equivalent radial load, lbs.
- FR = Radial load, lbs.
- FA = Thrust (axial) load, lbs.
- e = Thrust load to radial load factor (Table 4)
- X = Radial load factor (Table 4)
- Y = Thrust load factor (Table 4)

To find X and Y, calculate FA/FR and compare to e for the selected bore size. Determine X and Y from Table 4, pg. B7-28 depending on whether FA/FR is equal to or less than e, or FA/FR is greater than e. Substitute all known values into the equivalent radial load equation. P (equivalent radial load) can be used in the life formula to determine  $L_{10}$ , or it can be compared to the allowable equivalent radial load ratings for the speed and hours life desired in the easy selection Table 5, pg. B7-28 & B7-29.

### SELECTING BEARINGS SUPPORTING ONLY THRUST LOADS

Tapered Roller Bearings perform extremely well under pure thrust load applications. Use  $P = YF_A$  for the equivalent radial load. The value of Y is obtained from Table 4, pg. B7-28 for  $FA/FR > e$ . Substitute Y and  $F_A$  into the equivalent load equation. P (equivalent radial load) can be used in the life formula to determine  $L_{10}$  or it can be compared to the allowable equivalent radial load ratings for the speed and hours life desired in the easy selection Table 5, pg. B7-28 & B7-29.

### LUBRICATION

DODGE Special Duty Tapered Roller Bearings up to 5, bore are lubricated at the factory with Mobil Mobilith AW

# 2 grease. Above 5" bore they are lubricated with Mobil Mobilux #2EP, a superior industrial grease using a lithium hydroxystearate thickener and highly refined base oil. This grease will adequately handle low and medium speeds with low and medium loads at normal temperatures as defined on Table 8, pg. B7-31 For very low and high speeds, for heavy loads and for low and high temperatures, special greases must be used. Contact DODGE Application Engineering (864) 284-5700. DODGE engineers will recommend bearings and lubricants for the above unusual conditions. DODGE also has the expertise to custom design and build special bearings for your needs. The only maintenance requirement for DODGE Tapered Roller Bearings is periodic relubrication at regular intervals as outlined in the appropriate instruction manuals

### INSTALLATION AND MAINTENANCE

In nearly all applications good design practice requires two bearings supporting the shaft. In cases where three or more bearings are installed, unless precautions are taken to line the bearings up, both vertically and horizontally, it is possible to induce heavy loads. In the case of two bearings, alignment is not as critical, especially with DODGE Special Duty Tapered Roller Bearings. Special Duty bearings are designed to allow as much as 2° to 5° of static misalignment up to 8" bore size. 1° to 1.5° for bore sizes greater than 8". To ensure good alignment, mounting surfaces must be checked for flatness and must lie in the same plane. When tightening base bolts and cap bolts, each bolt should be alternately tightened in incremental torque values until full torque is achieved to prevent the angular shifting of the pillow block that occurs when one bolt is tightened to its full torque. Shimmiing may be required to minimize misalignment.

FEATURES/BENEFITS PAGE B7-2	HOW TO ORDER PAGE B7-23	NOMENCLATURE PAGE B7-24	SELECTION/DIMENSIONS PAGE B7-32
--------------------------------	----------------------------	----------------------------	------------------------------------

# SELECTION



## Special Duty

**Table 4: Special Duty Roller Bearings Radial/Thrust Factors**

SHAFT SIZE INCHES	e	$F_A/F_R \leq e$		$F_A/F_R \geq e$		DYNAMIC CAPACITY $C_{90}$		MAXIMUM RPM
		X	Y	X	Y	LBS.	NEWTONS	
1-3/8 - 1-1/2	0.31	0.87	2.75	0.70	3.32	7,690	34,217	3,250
1-9/16 - 1-3/4	0.35	0.87	2.49	0.70	3.01	8,260	36,753	2,900
1-7/8 - 2	0.36	0.87	2.38	0.70	2.87	8,550	38,044	2,700
2-1/8 - 2-1/4	0.41	0.87	2.09	0.70	2.52	9,290	41,336	2,300
2-3/8 - 2-1/2	0.39	0.87	2.19	0.70	2.64	13,500	60,069	2,180
2-5/8 - 3	0.41	0.87	2.09	0.70	2.52	19,400	86,322	1,830
3-3/16 - 3-1/2	0.48	0.87	1.79	0.70	2.16	24,900	110,794	1,510
3-11/16 - 4	0.43	0.87	2.02	0.70	2.44	34,200	152,175	1,330
4-7/16 - 4-1/2	0.50	0.87	1.73	0.70	2.09	35,900	159,739	1,120
4-15/16 - 5	0.45	0.87	1.90	0.70	2.30	48,400	215,358	1,040
5-7/16 - 6	0.48	0.87	1.80	0.70	2.18	62,000	275,873	860
6-1/2 - 7	0.54	0.87	1.61	0.70	1.95	68,700	305,685	760
7-15/16 - 8	0.34	0.87	2.55	0.70	3.08	79,200	352,406	700
8-1/2 - 10	0.45	0.87	1.90	0.70	2.30	76,500	340,392	550
11 - 12	0.34	0.87	2.53	0.70	3.06	124,000	551,746	490

### COMPARING SPHERICAL TO TAPER ROLLER BEARING

The dynamic capacity C (spherical) and C90 (taper) are not to the same base. To compare basic dynamic capacities, multiply C x .259 and compare to  $C_{90}$ .

\*  $C_{90}$  - Dynamic capacity based on a rated life of 90 million revolutions or 3000 hours at 500 RPM

**Table 5: Dodge Special Duty Tapered Roller Bearings**

Shaft Size Inches	Hours Life	Allowable Equivalent Radial Load Rating (Lbs.) At Various Revolutions Per Minute*												
		50	100	250	500	750	1000	1250	1500	1750	2000	2500	3000	3500
1-3/8	5,000	13165	10690	8120	6595	5840	5360	5010	4745	4530	4350	4070	3855	3680
1-7/16	10,000	10690	8685	6595	5360	4745	4350	4070	3855	3680	3535	3305	3130	2990
1-1/2	<b>30,000</b>	<b>7690</b>	<b>6245</b>	<b>4745</b>	<b>3855</b>	<b>3410</b>	<b>3130</b>	<b>2925</b>	<b>2770</b>	<b>2645</b>	<b>2540</b>	<b>2380</b>	<b>2250</b>	<b>2150</b>
	50,000	6595	5360	4070	3305	2925	2685	2510	2380	2270	2180	2040	1930	1845
	100,000	5360	4350	3305	2685	2380	2180	2040	1930	1845	1770	1655	1570	1500
1-9/16	5,000	14140	11485	8725	7085	6275	5755	5385	5095	4865	4675	4370	4140	
1-5/8	10,000	11485	9330	7085	5755	5095	4675	4370	4140	3950	3795	3550	3360	
1-11/16	<b>30,000</b>	<b>8260</b>	<b>6710</b>	<b>5095</b>	<b>4140</b>	<b>3665</b>	<b>3360</b>	<b>3145</b>	<b>2975</b>	<b>2840</b>	<b>2730</b>	<b>2555</b>	<b>2420</b>	
	50,000	7085	5755	4370	3550	3145	2885	2700	2555	2440	2345	2190	2075	
1-3/4	100,000	5755	4675	3550	2885	2555	2345	2190	2075	1980	1905	1780	1685	
1-7/8	5,000	14635	11885	9030	7335	6495	5960	5570	5275	5035	4840	4525		
1-15/16	10,000	11885	9655	7335	5960	5275	4840	4525	4285	4090	3930	3675		
2	<b>30,000</b>	<b>8550</b>	<b>6945</b>	<b>5275</b>	<b>4285</b>	<b>3795</b>	<b>3480</b>	<b>3255</b>	<b>3080</b>	<b>2940</b>	<b>2825</b>	<b>2645</b>		
	50,000	7335	5960	4525	3675	3255	2985	2790	2645	2525	2425	2270		
	100,000	5960	4840	3675	2985	2645	2425	2270	2145	2050	1970	1840		
2-1/8	5,000	15900	12915	9810	7970	7055	6475	6055	5730	5475	5260			
2-3/16	10,000	12915	10490	7970	6475	5730	5260	4915	4655	4445	4270			
2-1/4	<b>30,000</b>	<b>9290</b>	<b>7545</b>	<b>5730</b>	<b>4655</b>	<b>4120</b>	<b>3780</b>	<b>3535</b>	<b>3350</b>	<b>3195</b>	<b>3070</b>			
	50,000	7970	6475	4915	3995	3535	3245	3035	2870	2745	2635			
	100,000	6475	5260	3995	3245	2870	2635	2465	2335	2230	2140			
2-3/8	5,000	23110	18770	14260	11580	10255	9405	8800	8330	7955	7640			
2-7/16	10,000	18770	15245	11580	9405	8330	7640	7145	6765	6460	6205			
2-1/2	<b>30,000</b>	<b>13500</b>	<b>10965</b>	<b>9330</b>	<b>6765</b>	<b>5990</b>	<b>5495</b>	<b>5140</b>	<b>4865</b>	<b>4645</b>	<b>4465</b>			
	50,000	11580	9405	7145	5805	5140	4715	4410	4175	3985	3830			
	100,000	9405	7640	5805	4715	4175	3830	3580	3390	3235	3110			

FEATURES/BENEFITS PAGE B7-2	HOW TO ORDER PAGE B7-23	NOMENCLATURE PAGE B7-24	SELECTION/DIMENSIONS PAGE B7-32
--------------------------------	----------------------------	----------------------------	------------------------------------

D-LOK

Type E Family

Specialty Tapered

S-2000

UNISPHERE II



## Special Duty

**Table 5: Dodge Special Duty Tapered Roller Bearings (Cont.)**

Shaft Size Inches	Hour Life	Allowable Equivalent Radial Load Rating (Lbs.) At Various Revolutions Per Minute*												
		50	100	250	500	750	1000	1250	1500	1750	2000	2500	3000	3500
2-5/8	5,000	33210	26975	20490	16645	14735	13520	12645	11970	11430				
2-11/16	10,000	26975	21910	16645	13520	11970	10980	10270	9725	9285				
2-3/4	<b>30,000</b>	<b>19400</b>	<b>15755</b>	<b>11970</b>	<b>9725</b>	<b>8610</b>	<b>7895</b>	<b>7385</b>	<b>6995</b>	<b>6675</b>				
2-15/16	50,000	16645	13520	10270	8340	7385	6775	6335	6000	5730				
3	100,000	13520	10980	8340	6775	6000	5505	5145	4875	4650				
3-3/16	5,000	42625	34620	26300	21360	18915	17350	16225	15365	14095				
3-3/8	10,000	34620	28120	21360	17350	15365	14095	13180	12480					
3-7/16	<b>30,000</b>	<b>24900</b>	<b>20225</b>	<b>15365</b>	<b>12480</b>	<b>11050</b>	<b>10135</b>	<b>9480</b>	<b>8975</b>					
3-7/16	50,000	21360	17350	13180	10705	9480	8695	8135	7700					
3-1/2	100,000	17350	14095	10705	8695	7700	7065	6505	6255					
3-11/16	5,000	58540	47550	36120	29340	25980	23830	22290						
3-3/4	10,000	47550	38625	29340	23830	21100	19355	18105						
3-7/8	<b>30,000</b>	<b>34200</b>	<b>27780</b>	<b>21100</b>	<b>17140</b>	<b>15175</b>	<b>13920</b>	<b>13020</b>						
3-15/16	50,000	29340	23830	18105	14705	13020	11945	11170						
4	100,000	23830	19355	14705	11945	10575	9700	9075						
4-7/16	5,000	61450	49915	37920	30800	27270	25015							
4-7/16	10,000	49915	40545	30800	25015	22150	20320							
4-1/2	<b>30,000</b>	<b>35900</b>	<b>29160</b>	<b>22150</b>	<b>17990</b>	<b>15930</b>	<b>14615</b>							
4-1/2	50,000	30800	25015	19005	15435	13670	12540							
4-1/2	100,000	25015	20320	15435	12540	11100	10185							
4-15/16	5,000	82850	67295	51120	41525	36765	33725							
4-15/16	10,000	67295	54660	41525	33725	29865	27395							
5	<b>30,000</b>	<b>48400</b>	<b>39315</b>	<b>29865</b>	<b>24255</b>	<b>21480</b>	<b>19705</b>							
5	50,000	41525	33725	25620	20810	18425	16905							
5	100,000	33725	27395	20810	16905	14965	13730							
5-7/16	5,000	106130	86205	65485	53190	47100								
5-7/16	10,000	86205	70020	53190	43205	38255								
6	<b>30,000</b>	<b>62000</b>	<b>50360</b>	<b>38255</b>	<b>31075</b>	<b>27515</b>								
6	50,000	53190	43205	32820	26660	23605								
6	100,000	43205	35090	26660	21655	19175								
6-1/2	5,000	117600	95520	72560	58940	52190								
6-15/16	10,000	95520	77585	58940	47575	42390								
7	<b>30,000</b>	<b>68700</b>	<b>55800</b>	<b>42390</b>	<b>34430</b>	<b>30490</b>								
7	50,000	58940	47875	36365	29540	26155								
7	100,000	47875	38885	29540	23995	21245								
7-15/16	5,000	135570	110120	83650	67945	60165								
7-15/16	10,000	110120	89445	67945	55190	48870								
8	<b>30,000</b>	<b>79200</b>	<b>64330</b>	<b>48870</b>	<b>39695</b>	<b>35145</b>								
8	50,000	67945	55190	41925	34055	30155								
8	100,000	55190	44830	34055	27660	24490								
8-1/2	5,000	130950	106365	80800	65630									
8-1/2	10,000	106365	86395	65630	53310									
9	<b>30,000</b>	<b>76500</b>	<b>62135</b>	<b>47205</b>	<b>38340</b>									
9-1/2	50,000	65630	53310	40495	32895									
10	100,000	53310	43300	32895	26715									
11	5,000	212260	172410	130970	106380									
12	10,000	172410	140040	106380	86410									
12	<b>30,000</b>	<b>124000</b>	<b>100720</b>	<b>76510</b>	<b>62145</b>									
12	50,000	106380	86410	65640	53315									
12	100,000	86410	70185	53315	43305									

NOTE: See Table 4 on previous page for maximum RPM.

FEATURES/BENEFITS PAGE B7-2	HOW TO ORDER PAGE B7-23	NOMENCLATURE PAGE B7-24	SELECTION/DIMENSIONS PAGE B7-32
--------------------------------	----------------------------	----------------------------	------------------------------------



## Special Duty

**Table 6: Special Duty Pillow Blocks Housing Permissible Thrust Load, Lbs. \***

Shaft Size, Inches	2-Bolt	4-Bolt	Shaft Size, Inches	2-Bolt	4-Bolt
1-3/8			3-11/16		
1-7/16	1521	---	3-3/4	---	8250
1-1/2			3-7/8		
1-9/16			3-15/16		
1-5/8	1772	---	4		
1-11/16			4-7/16	---	10538
1-3/4			4-1/2		
1-7/8			4-15/16	---	12190
1-15/16	1964	---	5		
2			5-7/16	---	17957
2-1/8			5-15/16		
2-3/16	2325	---	6		
2-1/4			6-1/2	---	24115
2-3/8			6-15/16		
2-7/16	3122	3122	7		
2-1/2			7-15/16	---	27260
2-5/8			8		
2-11/16			8-1/2		
2-3/4			9	---	38138
2-13/16	4375	4375	9-1/2		
2-7/8			10		
2-15/16			11		
3			12	---	50655
3-3/16					
3-1/4					
3-3/8	6118	6118			
3-7/16					
3-1/2					

\* The limits above apply to pillow blocks. For thrust loads larger than listed or heavy thrust loading on other style housing, contact DODGE Engineering for recommendation.

**Table 7: Special Duty Maximum Total Axial Expansion**

Shaft Size - Inches	Special Duty		
	2-Blt. P.B.	4-Blt. P.B.	Flg.
1-3/8 - 1-1/2	3/16	-	3/16
1-9/16 - 1-3/4	5/8	-	1/4
1-7/8 - 2	5/8	-	1/4
2-1/8 - 2-1/4	5/8	-	1/4
2-3/8 - 2-1/2	5/8	5/8	1/4
2-5/8 - 3	3/4	5/8	5/8
3-3/16 - 3-1/2	3/4	3/4	3/4
3-11/16 - 4	-	3/4	1/4
4-7/16 - 4-1/2	-	3/4	5/8
4-15/16 - 5	-	3/4	5/8
5-7/16 - 6	-	3/4	5/8
6-1/2 - 7	-	1-1/2	-
7-15/16 - 8	-	1-1/2	-
8-1/2 - 10	-	1-1/2	-
11 - 12	-	1-1/2	-

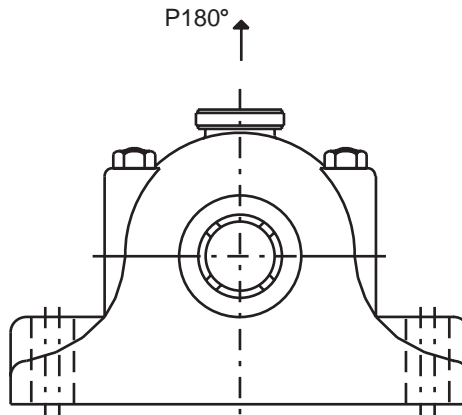
FEATURES/BENEFITS PAGE B7-2	HOW TO ORDER PAGE B7-23	NOMENCLATURE PAGE B7-24	SELECTION/DIMENSIONS PAGE B7-32
--------------------------------	----------------------------	----------------------------	------------------------------------



## Special Duty

**Table 8: Definition of Operating Conditions For Tapered Roller Bearings**

LOW SPEED	UP TO 20% OF MAX. RPM (TABLE 1)
MEDIUM SPEED	OVER 20% TO 80% OF MAX. RPM
HIGH SPEED	OVER 80% OF MAX. RPM
LIGHT LOAD	UP TO 30% OF C90 (TABLE 1)
NORMAL LOAD	OVER 30% TO 70% OF C90
HEAVY LOAD	OVER 70% OF C90
LOW TEMPERATURE	-100°F TO 20°F
MEDIUM TEMPERATURE	OVER 20°F TO 200°F
HIGH TEMPERATURE	OVER 200°F TO 300°F
VERY HIGH TEMPERATURE	OVER 300°F TO 400°F



**Table 9: Pillow Block Housing Ratings, Special Duty**

SHAFT SIZE (INCHES)	HOUSING STRENGTH LBS. GRAY IRON 180°
1-3/8 - 1-1/2	3,470
1-9/16 - 1-3/4	4,430
1-7/8 - 2	5,250
2-1/8 - 2-1/4	7,300
2-3/8 - 2-1/2	7,200
2-5/8 - 3	10,600
3-3/16 - 3-1/2	13,000
3-11/16 - 4	21,600
4-7/16 - 4-1/2	25,800
4-15/16 - 5	22,900
5-7/16 - 6	41,500
6-1/2 - 7	82,000
7-15/16 - 8	104,000

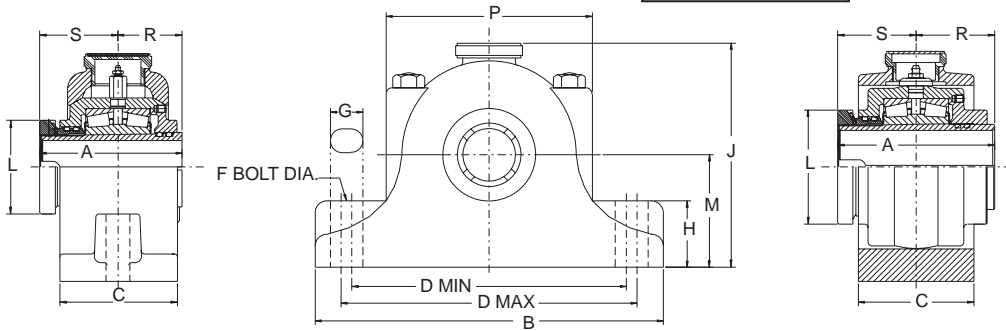
FEATURES/BENEFITS PAGE B7-2	HOW TO ORDER PAGE B7-23	NOMENCLATURE PAGE B7-24	SELECTION/DIMENSIONS PAGE B7-32
--------------------------------	----------------------------	----------------------------	------------------------------------

# SELECTION/DIMENSIONS



## Special Duty Pillow Block - Inch 2-BOLT BASE

**NOTE:** All sizes use a 1/8 - 27 NPT hydraulic grease fitting



NON-EXPANSION CONSTRUCTION

EXPANSION CONSTRUCTION

GRAY IRON NON-EXPANSION*			
SHAFT SIZE INCHES #	PART NUMBER	PART NAME	WEIGHT LBS (APPROX)
1-3/8	<b>066213</b>	P2B-SD-106	20
1-7/16	<b>066214</b>	P2B-SD-107	20
1-1/2	<b>066300</b>	P2B-SD-108	20
1-9/16	<b>066212</b>	P2B-SD-109	27
1-5/8	<b>066228</b>	P2B-SD-110	27
1-11/16	<b>066216</b>	P2B-SD-111	27
1-3/4	<b>066301</b>	P2B-SD-112	27
1-7/8	<b>066217</b>	P2B-SD-114	33
1-15/16	<b>066218</b>	P2B-SD-115	32
2	<b>066302</b>	P2B-SD-200	32
2-1/8	<b>066215</b>	P2B-SD-202	48
2-3/16	<b>066220</b>	P2B-SD-203	47
2-1/4	<b>066303</b>	P2B-SD-204	47
2-7/16	<b>066222</b>	P2B-SD-207	56
2-1/2	<b>066246</b>	P2B-SD-208	56
2-5/8	<b>066223</b>	P2B-SD-210	84
2-11/16	<b>066304</b>	P2B-SD-211	84
2-3/4	<b>066226</b>	P2B-SD-212	84
2-15/16	<b>066230</b>	P2B-SD-215	82
3	<b>066305</b>	P2B-SD-300	82
3-3/16	<b>066232</b>	P2B-SD-303	120
3-3/8	<b>066237</b>	P2B-SD-306	119
3-7/16	<b>066234</b>	P2B-SD-307	118
3-1/2	<b>066236</b>	P2B-SD-308	118

GRAY IRON EXPANSION			
SHAFT SIZE INCHES #	PART NUMBER	PART NAME	WEIGHT LBS (APPROX)
1-3/8	<b>066249</b>	P2B-SD-106E	22
1-7/16	<b>066250</b>	P2B-SD-107E	22
1-1/2	<b>066306</b>	P2B-SD-108E	22
1-9/16	<b>066248</b>	P2B-SD-109E	28
1-5/8	<b>066243</b>	P2B-SD-110E	28
1-11/16	<b>066252</b>	P2B-SD-111E	28
1-3/4	<b>066307</b>	P2B-SD-112E	28
1-7/8	<b>066253</b>	P2B-SD-114E	33
1-15/16	<b>066254</b>	P2B-SD-115E	32
2	<b>066308</b>	P2B-SD-200E	32
2-1/8	<b>066257</b>	P2B-SD-202EE	50
2-3/16	<b>066256</b>	P2B-SD-203E	49
2-1/4	<b>066309</b>	P2B-SD-204E	49
2-7/16	<b>066258</b>	P2B-SD-207E	60
2-1/2	<b>066247</b>	P2B-SD-208E	60
2-5/8	<b>066262</b>	P2B-SD-210E	80
2-11/16	<b>066310</b>	P2B-SD-211E	80
2-3/4	<b>066263</b>	P2B-SD-212E	80
2-15/16	<b>066266</b>	P2B-SD-215E	78
3	<b>066311</b>	P2B-SD-300E	78
3-3/16 ♣	<b>066269</b>	P2B-SD-303E	120
3-3/8 ♣	<b>066271</b>	P2B-SD-306E	119
3-7/16 ♣	<b>066270</b>	P2B-SD-307E	118
3-1/2	<b>066273</b>	P2B-SD-308E	118

\* Furnished Unless Otherwise Specified

# Consult DODGE For Sizes Not Listed

# Consult DODGE For Sizes Not Listed

♣ 4-Bolt Caps

FEATURES/BENEFITS PAGE B7-2	HOW TO ORDER PAGE B7-23	NOMENCLATURE PAGE B7-24	SELECTION PAGE B7-25
--------------------------------	----------------------------	----------------------------	-------------------------



# SELECTION/DIMENSIONS



## Special Duty Pillow Block - Inch 2-BOLT BASE

D-LOK

Type E Family

Speciality Tapered

S-2000

UNISPHERE II

SHAFT SIZE INCHES	A	B	C	D		F BOLT DIA.	G	H	J	L	M	P	R	S	EXP*
				MIN.	MAX.										
1-3/8 1-7/16 1-1/2	4	9	3	6-7/8	7-5/8	1/2	1	2-1/8	6-1/4	2-7/16	2-7/8	5-7/8	1-13/16	2-3/16	3/16
1-9/16 1-5/8 1-11/16 1-3/4	4-1/8	9-1/2	3-7/16	7-9/16	7-15/16	1/2	1	2-3/8	6-13/16	2-13/16	3-1/8	5-15/16	1-7/8	2-1/4	5/8
1-7/8 1-15/16 2	4-1/4	11	3-1/2	8-1/4	9-1/4	5/8	1-1/4	2-1/2	7-1/8	3-1/16	3-1/4	7-1/4	1-15/16	2-5/16	5/8
2-1/8 2-3/16 2-1/4	4-9/16	12	4	9-1/8	10-3/8	5/8	1-1/4	2-7/8	8	3-7/16	3-3/4	7-1/4	2-1/16	2-1/2	5/8
2-7/16 2-1/2	5-1/16	13-1/4	4-1/4	10	11-1/2	3/4	1-1/2	3	8-9/16	3-13/16	4	7-13/16	2-5/16	2-3/4	5/8
2-5/8 2-11/16 2-3/4 2-15/16 3	5-3/4	14-1/4	4-3/4	11	12-1/2	3/4	1-1/2	3-3/4	9-7/8	4-7/16	4-3/4	8-11/16	2-5/8	3-1/8	3/4
3-3/16 3-3/8 3-7/16 3-1/2	6-3/8	16-3/4	5-1/2	13-1/4	14-1/4	7/8	1-1/2	4	11-3/8	5-1/16	5-1/2	11-1/4	2-15/16	3-7/16	3/4

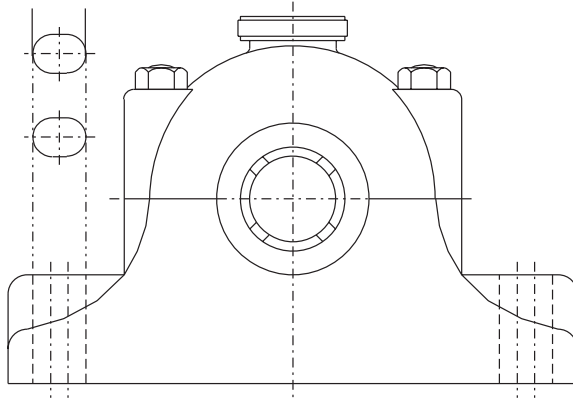
\* Total Expansion For Expansion Bearing Only

FEATURES/BENEFITS PAGE B7-2	HOW TO ORDER PAGE B7-23	NOMENCLATURE PAGE B7-24	SELECTION PAGE B7-25
--------------------------------	----------------------------	----------------------------	-------------------------

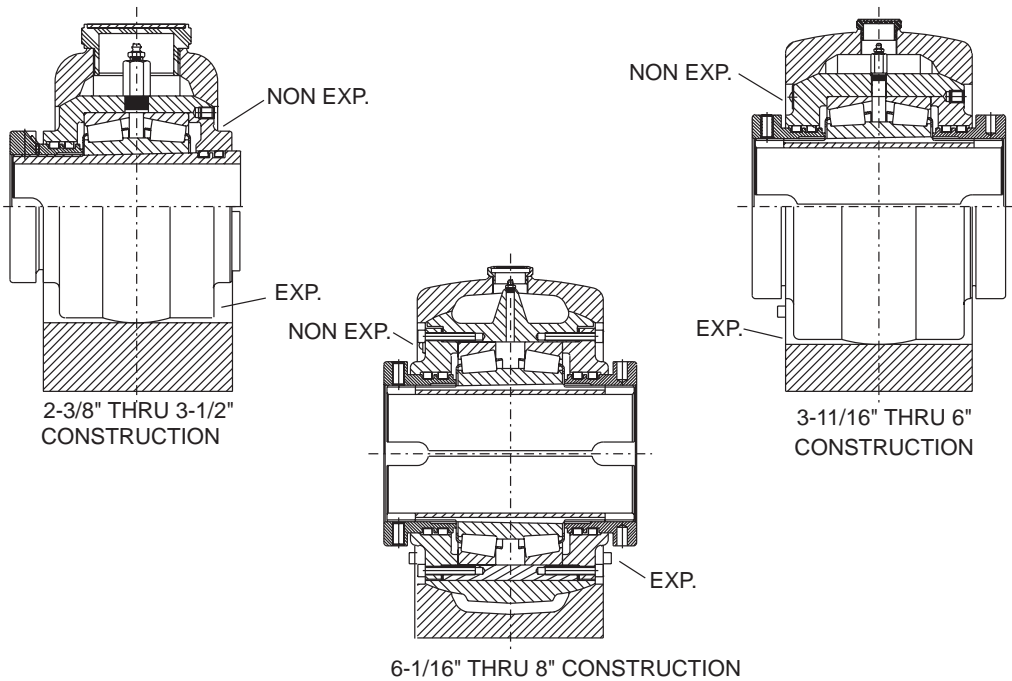
# SELECTION/DIMENSIONS



## Special Duty Pillow Block - Inch 4-BOLT BASE



**NOTE:** All sizes use a 1/8 - 27 NPT hydraulic grease fitting



D-LOK

Type E Family

Specialty Tapered

S-2000

UNISPHERE II

FEATURES/BENEFITS PAGE B7-2	HOW TO ORDER PAGE B7-23	NOMENCLATURE PAGE B7-24	SELECTION PAGE B7-25
--------------------------------	----------------------------	----------------------------	-------------------------

# SELECTION/DIMENSIONS



## Special Duty Pillow Block - Inch 4-BOLT BASE

GRAY IRON NON-EXPANSION *			
SHAFT SIZE INCHES #	PART NUMBER	PART NAME	WEIGHT LBS (APPROX)
2-3/8	066360	P4B-SD-206	60
2-7/16	066224	P4B-SD-207	60
2-1/2	066244	P4B-SD-208	60
2-11/16	066225	P4B-SD-211	82
2-3/4	066363	P4B-SD-212	82
2-7/8	066365	P4B-SD-214	81
2-15/16	066231	P4B-SD-215	80
3	066366	P4B-SD-300	80
3-3/16	066367	P4B-SD-303	124
3-3/8	066370	P4B-SD-306	122
3-7/16	066235	P4B-SD-307	120
3-1/2	066371	P4B-SD-308	120
3-11/16	066372	P4B-SD-311	215
3-3/4	066373	P4B-SD-312	215
3-7/8	066374	P4B-SD-314	215
3-15/16	066238	P4B-SD-315	215
4	066375	P4B-SD-400	215
4-7/16	066240	P4B-SD-407	296
4-1/2	066377	P4B-SD-408	296
4-15/16	066242	P4B-SD-415	380
5	066378	P4B-SD-500	380
5-7/16	066379	P4B-SD-507	585
5-15/16	066381	P4B-SD-515	585
6	066382	P4B-SD-600	585
6-1/2	066384	P4B-SD-608	1050
6-15/16	066385	P4B-SD-615	1050
7	066386	P4B-SD-700	1050
7-15/16	066388	P4B-SD-715	1550
8	066389	P4B-SD-800	1550

GRAY IRON EXPANSION			
SHAFT SIZE INCHES #	PART NUMBER	PART NAME	WEIGHT LBS (APPROX)
2-3/8	066400	P4B-SD-206E	60
2-7/16	066260	P4B-SD-207E	60
2-1/2	066245	P4B-SD-208E	60
2-11/16	066261	P4B-SD-211E	82
2-3/4	066403	P4B-SD-212E	82
2-7/8	066405	P4B-SD-214E	81
2-15/16	066268	P4B-SD-215E	80
3	066406	P4B-SD-300E	80
3-3/16	066407	P4B-SD-303E	124
3-3/8	066409	P4B-SD-306E	122
3-7/16	066272	P4B-SD-307E	120
3-1/2	066411	P4B-SD-308E	120
3-11/16	066412	P4B-SD-311E	230
3-3/4	066413	P4B-SD-312E	230
3-7/8	066414	P4B-SD-314E	230
3-15/16	066274	P4B-SD-315E	230
4	066415	P4B-SD-400E	230
4-7/16	066276	P4B-SD-407E	296
4-1/2	066417	P4B-SD-408E	296
4-15/16	066278	P4B-SD-415E	380
5	066418	P4B-SD-500E	380
5-7/16	066419	P4B-SD-507E	585
5-15/16	066421	P4B-SD-515E	585
6	066422	P4B-SD-600E	585
6-1/2	066424	P4B-SD-608E	1050
6-15/16	066425	P4B-SD-615E	1050
7	066426	P4B-SD-700E	1050
7-15/16	066428	P4B-SD-715E	1550
8	066429	P4B-SD-800E	1550

\* Furnished Unless Otherwise Specified

# Consult DODGE For Sizes Not Listed

# Consult DODGE For Sizes Not Listed

**Note:** When ordering sizes larger than 5", specify RPM

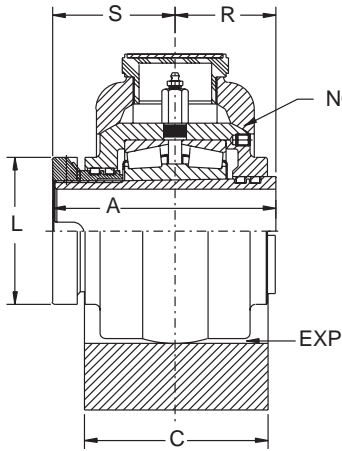
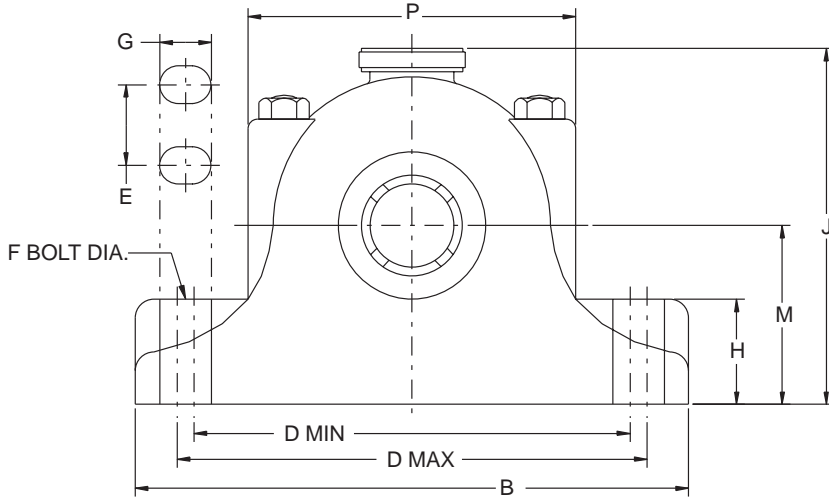
**Note:** All sizes use a 1/8 - 27 NPT hydraulic grease fitting

FEATURES/BENEFITS PAGE B7-2	HOW TO ORDER PAGE B7-23	NOMENCLATURE PAGE B7-24	SELECTION PAGE B7-25
--------------------------------	----------------------------	----------------------------	-------------------------

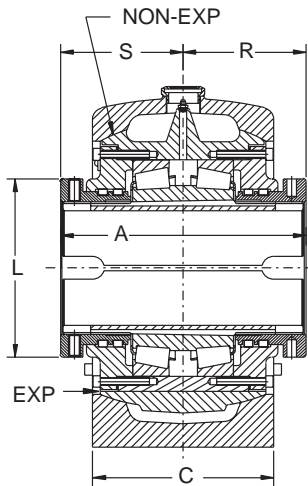
# SELECTION/DIMENSIONS



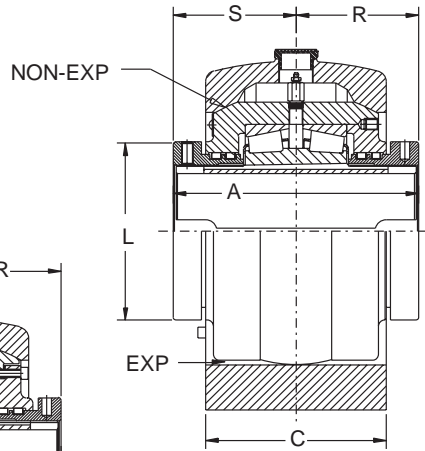
## Special Duty Pillow Block - Inch 4-BOLT BASE



2-3/8" THRU 3-1/2"  
CONSTRUCTION



6-1/16" THRU 8" CONSTRUCTION



3-11/16" THRU 6"  
CONSTRUCTION

D-LOK

Type E Family

Specialty Tapered

S-2000

UNISPHERE II

FEATURES/BENEFITS PAGE B7-2	HOW TO ORDER PAGE B7-23	NOMENCLATURE PAGE B7-24	SELECTION PAGE B7-25
--------------------------------	----------------------------	----------------------------	-------------------------

# SELECTION/DIMENSIONS



## Special Duty Pillow Block - Inch 4-BOLT BASE

SHAFT SIZE Inches	A	B*	C*	D		E	F BOLT DIA.	G*	H*	J	L	M	P*	R	S	EXP**
				MIN.	MAX.											
2-3/8 2-7/16 2-1/2	5-1/16	13-1/4	4-1/4	9-7/8	11-5/8	2-1/2	5/8	1-1/2	3	8-9/16	3-13/16	4	7-13/16	2-5/16	2-3/4	5/8
2-11/16 2-3/4 2-7/8 2-15/16 3	5-3/4	14-1/4	4-3/4	10-7/8	12-5/8	2-3/4	5/8	1-1/2	3-3/4	9-7/8	4-7/16	4-3/4	8-11/16	2-5/8	3-1/8	5/8
3-3/16 3-3/8 3-7/16 3-1/2	6-3/8	16-3/4	5-1/2	13	14-1/2	3-1/4	3/4	1-1/2	4	11-3/8	5-1/16	5-1/2	10-1/4	2-15/16	3-7/16	3/4
3-11/16 3-3/4 3-7/8 3-15/16 4	8-1/2	19	7	15	16	3-1/4	7/8	1-1/2	4	13-3/8	6-1/4	6-3/8	13-3/4	4-1/4	4-1/4	3/4
4-7/16 4-1/2 4-15/16 5	9-1/2	20	7-1/2	15-1/2	17-1/2	3-1/2	7/8	1-7/8	4	14-1/2	7-1/4	7-1/4	12-5/8	4-3/4	4-3/4	3/4
5-7/16 5-15/16 6	10-1/2	23	8-1/4	17-3/4	19-3/4	3-3/4	1	2-1/8	4-1/4	15-5/8	8	7-1/2	16-1/2	5-1/4	5-1/4	3/4
6-1/2 6-15/16 7	12	26-3/4	9-1/4	21-3/8	23-5/8	5	1-1/8	2-1/4	5	19	9-1/2	9	17-3/8	6	6	3/4
7-15/16 8	13-1/2	34-3/8	10-1/4	27-1/2	30-1/2	5-1/2	1-1/2	3	6	23	11	11-1/4	22-3/4	6-3/4	6-3/4	1-1/2
	14-1/2	38-3/4	11-1/4	30-1/2	34	6	1-3/4	3-1/2	7	26	12-1/2	12-1/2	25-1/8	7-1/4	7-1/4	1-1/2

\* These Are As Cast Surfaces. Dimensions May Fluctuate Due To Draft Angles And Pattern Shifts

\*\* Exp-Total Expansion Divided Equally On Both Sides Of Bearing (Expansion Bearing Only)

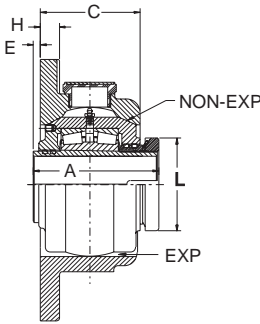
**Note:** All sizes use a 1/8 - 27 NPT hydraulic grease fitting

FEATURES/BENEFITS PAGE B7-2	HOW TO ORDER PAGE B7-23	NOMENCLATURE PAGE B7-24	SELECTION PAGE B7-25
--------------------------------	----------------------------	----------------------------	-------------------------

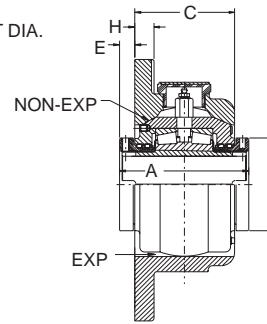
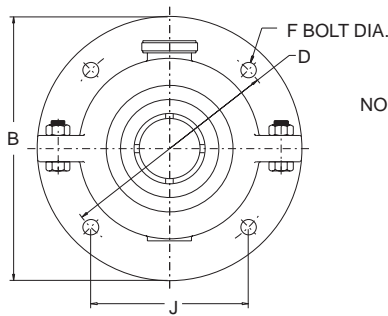
# SELECTION/DIMENSIONS



## Special Duty Flange Bearing - Inch



1-3/8" THRU 3-1/2" CONSTRUCTION



3-11/16" THRU 6" CONSTRUCTION

GRAY IRON NON-EXPANSION*			
SHAFT SIZE INCHES #	PART NUMBER	PART NAME	WEIGHT LBS (APPROX)
1-3/8	104160	F4B-SD-106	21
1-7/16	104020	F4B-SD-107	21
1-1/2	104161	F4B-SD-108	21
1-11/16	104021	F4B-SD-111	30
1-3/4	104162	F4B-SD-112	30
1-15/16	104022	F4B-SD-115	37
2	104164	F4B-SD-200	37
2-3/16	104023	F4B-SD-203	46
2-3/8	104169	F4B-SD-206	62
2-7/16	104024	F4B-SD-207	62
2-1/2	1041710	F4B-SD-208	62
2-11/16	104172	F4B-SD-211	85
2-3/4	104173	F4B-SD-212	83
2-15/16	104025	F4B-SD-215	81
3	104176	F4B-SD-300	81
3-3/16	104177	F4B-SD-303	141
3-7/16	104026	F4B-SD-307	139
3-1/2	104181	F4B-SD-308	138
3-15/16	104027	F4B-SD-315	230
4	104010	F4B-SD-400	229
4-7/16	104028	F4B-SD-407	325
4-15/16	104029	F4B-SD-415	430
5	104013	F4B-SD-500	428
5-15/16	104016	F4B-SD-515	560
6	104018	F4B-SD-600	560

GRAY IRON EXPANSION			
SHAFT SIZE INCHES #	PART NUMBER	PART NAME	WEIGHT LBS (APPROX)
1-3/8	104195	F4B-SD-106E	22
1-7/16	104030	F4B-SD-107E	22
1-1/2	104196	F4B-SD-108E	22
1-11/16	104031	F4B-SD-115E	30
1-3/4	104197	F4B-SD-112E	30
1-15/16	104032	F4B-SD-115E	37
2	104199	F4B-SD-200E	37
2-3/16	104033	F4B-SD-203E	49
2-3/8	104204	F4B-SD-206E	64
2-7/16	104034	F4B-SD-207E	64
2-1/2	104205	F4B-SD-208E	64
2-11/16	104207	F4B-SD-211E	88
2-3/4	104208	F4B-SD-212E	86
2-15/16	104035	F4B-SD-215E	85
3	104211	F4B-SD-300E	84
3-3/16	104212	F4B-SD-303E	145
3-7/16	104036	F4B-SD-307E	144
3-1/2	104216	F4B-SD-308E	143
3-15/16	104037	F4B-SD-315E	234
4	104003	F4B-SD-400E	234
4-7/16	104038	F4B-SD-407E	325
4-15/16	104039	F4B-SD-415E	430
5	104006	F4B-SD-500E	428
5-15/16	104017	F4B-SD-515E	560
6	104019	F4B-SD-600E	560

\* Furnished Unless Otherwise Specified

# Consult DODGE For Sizes Not Listed

# Consult DODGE For Sizes Not Listed

**Note:** when ordering sizes larger than 5", specify RPM

FEATURES/BENEFITS PAGE B7-2	HOW TO ORDER PAGE B7-23	NOMENCLATURE PAGE B7-24	SELECTION PAGE B7-25
--------------------------------	----------------------------	----------------------------	-------------------------

# SELECTION/DIMENSIONS



## Special Duty Flange Bearing - Inch

SHAFT SIZE INCHES	A	B	C	D	E	F BOLT DIA.	H	J	L	EXP*
1-3/8 1-7/16 1-1/2	4	8-1/4	3	7	5/16	1/2	5/8	4.950	2-7/16	3/16
1-11/16 1-3/4	4-1/8	9	3-3/8	7-5/8	3/16	1/2	11/16	5.392	2-13/16	1/4
1-15/16 2	4-1/4	10	3-1/2	8-3/8	3/16	5/8	3/4	5.922	3-1/16	1/4
2-3/16 2-3/8 2-7/16 2-1/2	4-9/16	10-3/4	4	9-1/8	1/16	5/8	13/16	6.452	3-7/16	1/4
2-11/16 2-3/4 2-15/16 3	5-3/4	13	4-5/8	11-1/4	5/16	3/4	1	7.955	4-7/16	5/8
3-3/16 3-7/16 3-1/2	6-3/8	14-1/2	5-3/8	12-1/2	1/4	7/8	1-1/8	8.839	5-1/16	1/4
3-15/16 4	8-1/2	18	6-3/4	15-3/4	7/8	1	1-1/4	11.137	6-1/4	1/4
4-7/16 4-15/16 5	9-1/2	19-1/2	7-1/4	17	1-1/8	1-1/8	1-3/8	12.021	7-1/4	5/8
5-15/16 6	12	25-1/2	9	22-1/2	1-1/2	1-1/4	1-3/4	15.910	9-1/2	5/8

\* Exp-Total Expansion For Expansion Bearing Only

FEATURES/BENEFITS PAGE B7-2	HOW TO ORDER PAGE B7-23	NOMENCLATURE PAGE B7-24	SELECTION PAGE B7-25
--------------------------------	----------------------------	----------------------------	-------------------------

# SELECTION/DIMENSIONS



## Special Duty Units - Inch

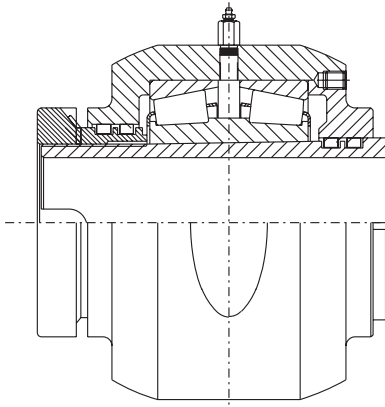
D-LOK

Type E Family

Specialty Tapered

S-2000

UNISPHERE II

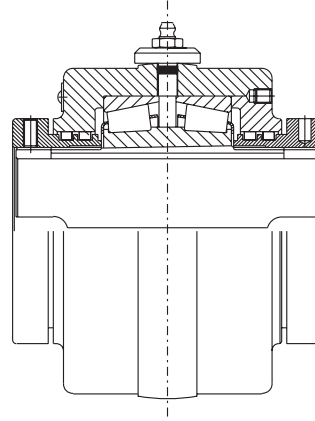


### D UNIT

1-3/8" THRU 3-1/2" CONSTRUCTION

#### Non-Expansion

3-11/16" Thru 12" Not Shown  
Consult DODGE for Detail

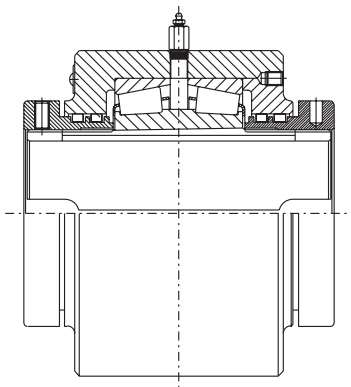


### S-1 UNIT

3-11/16" THRU 6" CONSTRUCTION

#### Expansion

1-3/8" Thru 3-1/2" and 6" Thru 12" Not Shown  
Consult DODGE for Detail

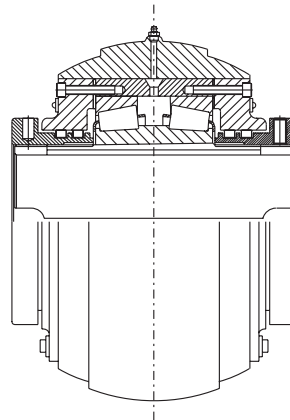


### B-1 UNIT

3-11/16" THRU 6" CONSTRUCTION

#### Customer Supplied Housing Only

1-3/8" Thru 3-1/2" and 6-1/2" Thru 12" Not Shown  
Consult DODGE for Detail



### S-1 UNIT

6-1/2" THRU 8" CONSTRUCTION

#### Expansion

1-3/8" Thru 6" and 8-1/2" Thru 12" Not Shown  
Consult DODGE for Detail

FEATURES/BENEFITS  
PAGE B7-2

HOW TO ORDER  
PAGE B7-23

NOMENCLATURE  
PAGE B7-24

SELECTION  
PAGE B7-25



# SELECTION/DIMENSIONS



## Special Duty Units - Inch

SHAFT SIZE INCHES #	D UNITS - NON-EXPANSION		S-1 UNITS - EXPANSION		B-1 UNITS - CUSTOMER SUPPLIED HOUSING		WEIGHT LBS (APPROX)
	PART NUMBER	PART NAME	PART NUMBER	PART NAME	PART NUMBER	PART NAME	
1-3/8	066445	DU-SD-106	066500	S1U-SD-106	066560	B1U-SD-106	7
1-7/16	066280	DU-SD-107	066290	S1U-SD-107	066315	B1U-SD-107	7
1-1/2	066446	DU-SD-108	066501	S1U-SD-108	066561	B1U-SD-108	7
1-9/16	066444	DU-SD-109	066499	S1U-SD-109	066559	B1U-SD-109	10
1-5/8	066324	DU-SD-110	066312	S1U-SD-110	066314	B1U-SD-110	10
1-11/16	066281	DU-SD-111	066291	S1U-SD-111	066316	B1U-SD-111	10
1-3/4	066447	DU-SD-112	066502	S1U-SD-112	066562	B1U-SD-112	10
1-7/8	066448	DU-SD-114	066503	S1U-SD-114	066563	B1U-SD-114	12
1-15/16	066282	DU-SD-115	066292	S1U-SD-115	066317	B1U-SD-115	12
2	066464	DU-SD-200	066504	S1U-SD-200	066564	B1U-SD-200	12
2-1/8	066450	DU-SD-202	066506	S1U-SD-202	066566	B1U-SD-202	16
2-3/16	066283	DU-SD-203	066293	S1U-SD-203	066318	B1U-SD-203	16
2-1/4	066451	DU-SD-204	066507	S1U-SD-204	066567	B1U-SD-204	16
2-3/8	-----	-----	066509	S1U-SD-206	066569	B1U-SD-206	20
2-7/16	066284	DU-SD-207	066294	S1U-SD-207	066319	B1U-SD-207	20
2-1/2	066285	DU-SD-208	066510	S1U-SD-208	066570	B1U-SD-208	20
2-5/8	066455	DU-SD-210	066511	S1U-SD-210	066571	B1U-SD-210	29
2-11/16	066279	DU-SD-211	066326	S1U-SD-211	066572	B1U-SD-211	29
2-3/4	066456	DU-SD-212	066512	S1U-SD-212	066573	B1U-SD-212	29
2-13/16	066457	DU-SD-213	066513	S1U-SD-213	066574	B1U-SD-213	29
2-7/8	066458	DU-SD-214	066514	S1U-SD-214	066575	B1U-SD-214	29
2-15/16	066286	DU-SD-215	066295	S1U-SD-215	066320	B1U-SD-215	29
3	066459	DU-SD-300	066515	S1U-SD-300	066576	B1U-SD-300	29
3-3/16	066460	DU-SD-303	066516	S1U-SD-303	066577	B1U-SD-303	47
3-1/4	066461	DU-SD-304	066517	S1U-SD-304	066578	B1U-SD-304	47
3-3/8	066463	DU-SD-306	066519	S1U-SD-306	066580	B1U-SD-306	47
3-7/16	066287	DU-SD-307	066296	S1U-SD-307	066321	B1U-SD-307	47
3-1/2	066465	DU-SD-308	066520	S1U-SD-308	066581	B1U-SD-308	47
3-11/16	066466	DU-SD-311	066521	S1U-SD-311	066582	B1U-SD-311	94
3-3/4	066467	DU-SD-312	066522	S1U-SD-312	066583	B1U-SD-312	94
3-7/8	066468	DU-SD-314	066523	S1U-SD-314	066584	B1U-SD-314	94
3-15/16	066288	DU-SD-315	066297	S1U-SD-315	066322	B1U-SD-315	94
4	066469	DU-SD-400	066524	S1U-SD-400	066585	B1U-SD-400	94
4-7/16	066289	DU-SD-407	066298	S1U-SD-407	066587	B1U-SD-407	116
4-1/2	066471	DU-SD-408	066526	S1U-SD-408	066588	B1U-SD-408	116
4-15/16	066325	DU-SD-415	066299	S1U-SD-415	066589	B1U-SD-415	175
5	066472	DU-SD-500	066527	S1U-SD-500	066590	B1U-SD-500	175
5-7/16	066473	DU-SD-507	066528	S1U-SD-507	066591	B1U-SD-507	300
5-15/16	066475	DU-SD-515	066530	S1U-SD-515	066593	B1U-SD-515	300
6	066476	DU-SD-600	066531	S1U-SD-600	066594	B1U-SD-600	300
6-1/2	066478	DU-SD-608	066533	S1U-SD-608	066596	B1U-SD-608	560
6-15/16	066479	DU-SD-615	066534	S1U-SD-615	066598	B1U-SD-615	560
7	066480	DU-SD-700	066535	S1U-SD-700	066607	B1U-SD-700	560
7-15/16	066482	DU-SD-715	066537	S1U-SD-715	066600	B1U-SD-715	800
8	066483	DU-SD-800	066538	S1U-SD-800	066601	B1U-SD-800	800
8-1/2	066484	DU-SD-808	066539	S1U-SD-808	066602	B1U-SD-808	1380
9	066485	DU-SD-900	066540	S1U-SD-900	066603	B1U-SD-900	1380
9-1/2	066486	DU-SD-908	066541	S1U-SD-908	-----	-----	1380
10	066487	DU-SD-1000	066542	S1U-SD-1000	066604	B1U SD 1000	1380
11	066488	DU-SD-1100	066543	S1U-SD-1100	066605	B1U-SD-1100	1890
12	066489	DU-SD-1200	066544	S1U-SD-1200	066606	B1U-SD-1200	1890

# Consult DODGE For Sizes Not Listed  
**Note:** When ordering sizes larger than 5", specify RPM

FEATURES/BENEFITS PAGE B7-2	HOW TO ORDER PAGE B7-23	NOMENCLATURE PAGE B7-24	SELECTION PAGE B7-25
--------------------------------	----------------------------	----------------------------	-------------------------

# SELECTION/DIMENSIONS



## Special Duty Units - Inch

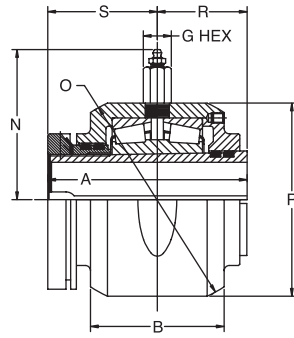
D-LOK

Type E Family

Specialty Tapered

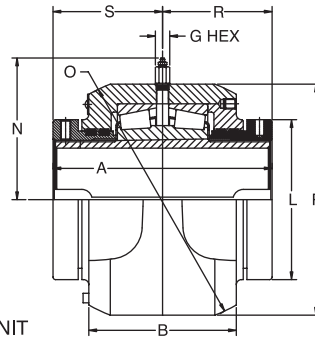
S-2000

UNISPHERE II

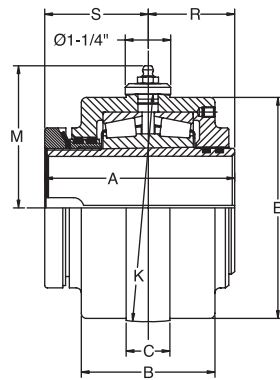


1-3/8" - 3-1/2"

D-UNIT

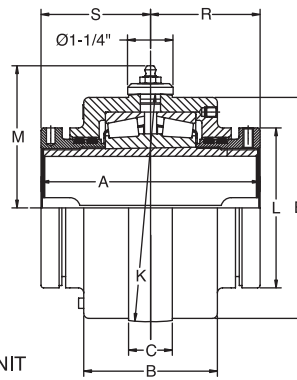


3-11/16" - 6"

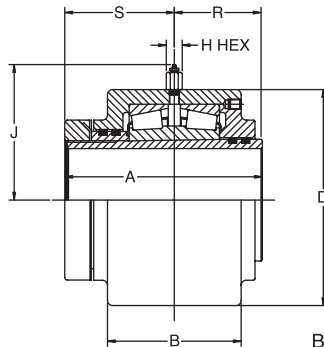


1-3/8" - 3-1/2"

S1-UNIT

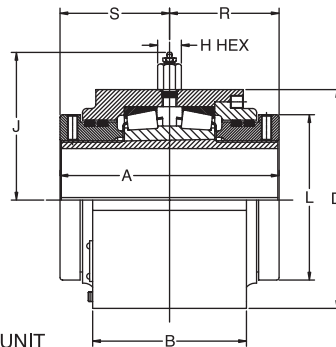


3-11/16" - 6"



1-3/8" - 3-1/2"

B1-UNIT



3-11/16" - 6"

FEATURES/BENEFITS  
PAGE B7-2

HOW TO ORDER  
PAGE B7-23

NOMENCLATURE  
PAGE B7-24

SELECTION  
PAGE B7-25

# SELECTION/DIMENSIONS



## Special Duty Units - Inch

SHAFT SIZE INCHES	A	B	C	D	E	F	G	H	J	K	L	M	N	O	P	R	S
1-3/8 1-7/16 1-1/2	4	2-11/16	3/4	3-7/8 ★	3-3/4	----	7/16	5/8	3-1/16	4-1/16 ★	2-7/16	2-11/16	2-1/2	4.438 ★	3-15/16	1-13/16	2-3/16
1-9/16 1-5/8 1-11/16 1-3/4	4-1/8	3-1/8	3/4	4-1/4 ★	4-1/8	----	7/16	5/8	4-1/4	4-7/16 ★	2-13/16	2-7/8	2-3/4	5.000 ★	4-1/2	1-7/8	2-1/4
1-7/8 1-15/16 2	4-1/4	3-1/4	7/8	4-3/4 ★	4-1/2	----	5/8	5/8	4-3/4	4-13/16 ★	3-1/16	3-1/16	2-7/8	5.313 ★	4-3/4	1-15/16	2-5/16
2-1/8 2-3/16 2-1/4	4-9/16	3-1/2	7/8	5-1/4 ★	5-1/16	----	5/8	5/8	5-1/4	5-3/8 ★	3-7/16	3-5/16	3-3/16	6.000 ★	5-3/8	2-1/16	2-1/2
2-3/8 2-7/16 2-1/2	5-1/16	4	1	5-3/4 ★	5-5/16	----	3/4	5/8	5-3/4	5-11/16 ★	3-13/16	3-1/2	4-3/32	6.375 ★	5-11/16	2-5/16	2-3/4
2-5/8 2-11/16 2-3/4 2-13/16 2-7/8 2-15/16 3	5-3/4	4-7/16	1	6-1/2 ★	6-3/16	----	3/4	3/4	6-1/2	6-9/16 ★	4-7/16	4-3/16	4-1/2	7.313 ★	6-1/2	2-5/8	3-1/8
3-3/16 3-1/4 3-3/8 3-7/16 3-1/2	6-3/8	5	1-1/4	7-3/4 ★	7-5/8	----	3/4	3/4	5-3/8	8 ♥	5-1/16	4-7/8	5-9/16	8.625 ♦	8	2-15/16	3-7/16
3-11/16 3-3/4 3-7/8 3-15/16 4	8-1/2	6-1/4	1-1/2	9-1/4 ★	9	----	3/4	3/4	6-1/8	9-1/2 ♥	6-1/4	5-5/8	6-3/8	10.250 ♦	9-3/4	4-1/4	4-1/4
4-7/16 4-1/2	9-1/2	6-5/8	1-3/4	10-1/2 ★	10-1/16	----	3/4	3/4	6-3/4	10-5/8 ♥	7-1/4	6-3/16	6-11/16	11.125 ♦	10-1/16	4-3/4	4-3/4
4-15/16 5	10-1/2	7-3/8	2	11-3/4 ★	10-7/8	----	3/4	3/4	7-3/8	11-1/2 ♥	8	6-5/8	7-7/16	12.500 ♦	11-7/8	5-1/4	5-1/4
5-7/16 5-15/16 6	12	8-1/2	2-1/4	13-1/2 ★	13	----	3/4	3/4	8-1/4	14 ♥	9-1/2	7-7/8	8-9/16	14.750 *	14-1/8	6	6
6-1/2 6-15/16 7	13-1/2	9-5/16	----	14-3/4 ★	----	9-13/16	1	1	8-7/8	----	11	----	10-7/8	18.000 *	17	6-3/4	6-3/4
7-15/16 8	14-1/2	9-15/16	----	16-1/4 ★	----	10-1/16	1	1	9-5/8	----	12-1/2	----	12-1/2	20.125 *	19-1/8	7-1/4	7-1/4
8-1/2 9 9-1/2 10	17	11-1/2	----	19-1/2 ★	----	11-3/4	1	1	11-1/4	----	14-5/8	----	14-1/2	24.000 *	23-1/2	8-1/2	8-1/2
11 12	18-1/2	12-3/4	----	23 ★	----	13-1/4	1	1	13	----	17	----	17-5/8	28.500 *	28	9-1/4	9-1/4

★ +.000 -.002"  
♥ -.000 -.004"

♦ +.000 -.003"  
\* +.000 -.004"

FEATURES/BENEFITS PAGE B7-2	HOW TO ORDER PAGE B7-23	NOMENCLATURE PAGE B7-24	SELECTION PAGE B7-25
--------------------------------	----------------------------	----------------------------	-------------------------

# SELECTION/DIMENSIONS



## Special Duty Hinged Cap Pillow Block - Inch

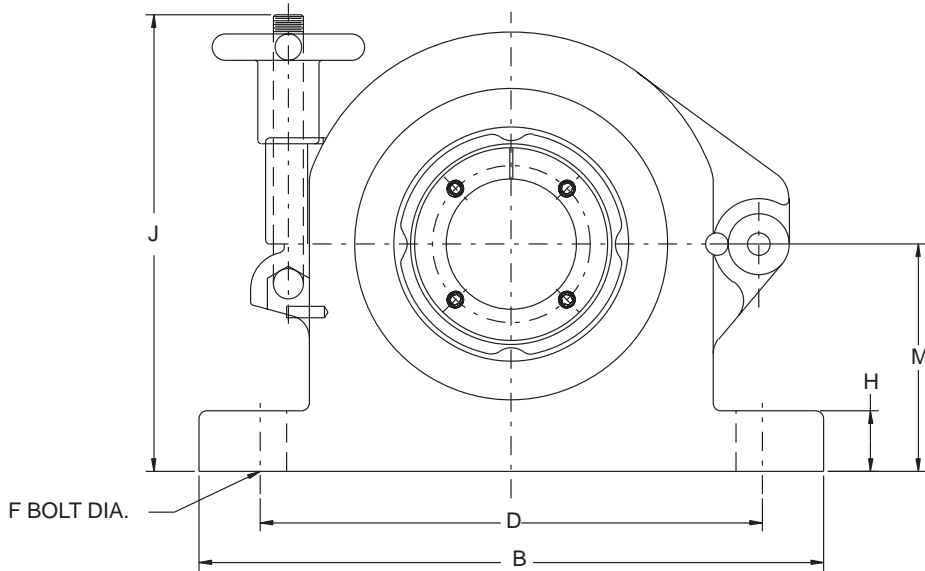
D-LOK

Type E Family

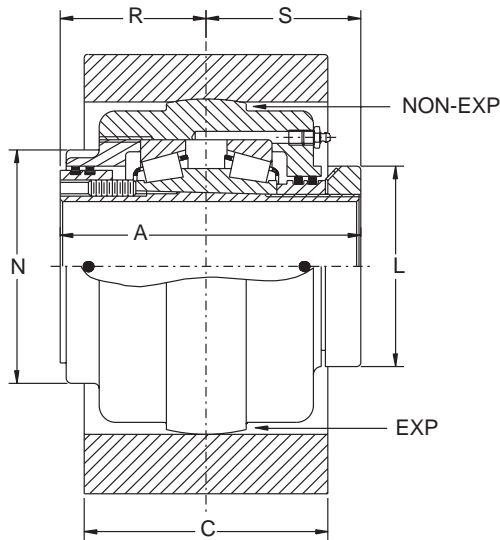
Specialty Tapered

S-2000

UNISPHERE II



NOTE: All sizes incorporate a 1/4 - 28 hydraulic grease fitting



FEATURES/BENEFITS  
PAGE B7-2

HOW TO ORDER  
PAGE B7-23

NOMENCLATURE  
PAGE B7-24

SELECTION  
PAGE B7-25

# SELECTION/DIMENSIONS



## Special Duty Hinged Cap Pillow Block - Inch

PILLOW BLOCK ASSEMBLY - NON-EXPANSION*			
SHAFT SIZE INCHES #	PART NUMBER	PART NAME	WEIGHT LBS (APPROX)
1-3/8	<b>067054</b>	P2B-HC-106	20
1-7/16	<b>067050</b>	P2B-HC-107	20
1-1/2	<b>067056</b>	P2B-HC-108	20
1-11/16	<b>067048</b>	P2B-HC-111	27
1-3/4	<b>067042</b>	P2B-HC-112	27
1-15/16	<b>067052</b>	P2B-HC-115	36
2	<b>067060</b>	P2B-HC-200	36
2-3/16	<b>067046</b>	P2B-HC-203	47
2-7/16	<b>067044</b>	P2B-HC-207	60
2-15/16	<b>067072</b>	P2B-HC-215	60

\* Furnished Unless Otherwise Specified

# Consult DODGE For Sizes Not Listed.

PILLOW BLOCK ASSEMBLY - EXPANSION			
SHAFT SIZE INCHES #	PART NUMBER	PART NAME	WEIGHT LBS (APPROX)
1-3/8	<b>067055</b>	P2B-HC-106E	20
1-7/16	<b>067051</b>	P2B-HC-107E	20
1-1/2	<b>067057</b>	P2B-HC-108E	20
1-11/16	<b>067049</b>	P2B-HC-111E	27
1-3/4	<b>067043</b>	P2B-HC-112E	27
1-15/16	<b>067053</b>	P2B-HC-115E	36
2	<b>067061</b>	P2B-HC-200E	36
2-3/16	<b>067047</b>	P2B-HC-203E	47
2-7/16	<b>067045</b>	P2B-HC-207E	60
2-15/16	<b>067073</b>	P2B-HC-215E	60

# Consult DODGE For Sizes Not Listed.

PILLOW BLOCK HOUSING ONLY NON-EXPANSION			
SHAFT SIZE RANGE SYMBOL#	PART NUMBER	PART NAME	WEIGHT LBS (APPROX)
106 TO 108	<b>067007*</b>	HS2-HC-406	13
111 TO 112	<b>067100*</b>	HS2-HC-444	16
115 TO 200	<b>067031*</b>	HS2-HC-481	23
203	<b>067120*</b>	HS2-HC-538	26
207	<b>067135*</b>	HS2-HC-569	40
215	<b>067078*</b>	HS2-HC-656	52

\* Furnished Unless Otherwise Specified

# Consult DODGE For Sizes Not Listed.

PILLOW BLOCK HOUSING ONLY EXPANSION			
SHAFT SIZE RANGE SYMBOL#	PART NUMBER	PART NAME	WEIGHT LBS (APPROX)
106 TO 108	<b>067016</b>	HS2-HC-406E	13
111 TO 112	<b>067103</b>	HS2-HC-444E	16
115 TO 200	<b>067034</b>	HS2-HC-481E	23
203	<b>067123</b>	HS2-HC-538E	26
207	<b>067138</b>	HS2-HC-569E	40
215	<b>067075</b>	HS2-HC-656E	52

SHAFT SIZE INCHES	A	B	C	D	F DIA BOLT	H	J	L	M	N	R	S
1-3/8												
1-7/16	4-1/8	7-1/4	3	5-7/8	1/2	3/4	6-7/8	2-7/16	2-7/8	3-1/4	1-15/16	2-3/16
1-1/2												
1-11/16	4-1/4	8-1/4	3-1/4	6-7/8	1/2	3/4	6-7/8	2-13/16	3-1/8	3-17/32	2	2-1/4
1-3/4												
1-15/16	4-7/16	9-1/4	3-1/2	7-11/16	5/8	7/8	7-5/8	3-1/16	3-1/4	3-13/16	2-1/8	2-5/16
2												
2-3/16	4-3/4	10-1/4	4	8-1/4	3/4	1	7-5/8	3-7/16	3-3/4	4-7/32	2-1/4	2-1/2
2-7/16	5-5/16	10-1/4	4-1/4	8-1/4	3/4	1	9-5/8	3-13/16	4-1/2	4-5/8	2-9/16	2-3/4
2-15/16	6-1/16	11-1/8	4-3/4	9-1/8	3/4	1-1/4	10-1/8	4-7/16	5	5-1/4	2-15/16	3-1/8

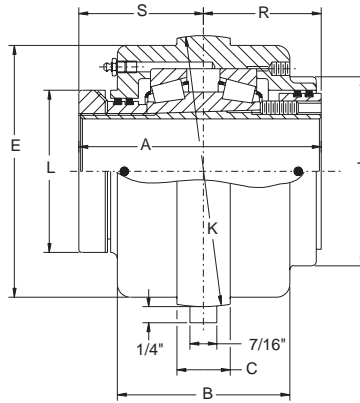
FEATURES/BENEFITS PAGE B7-2	HOW TO ORDER PAGE B7-23	NOMENCLATURE PAGE B7-24	SELECTION PAGE B7-25
--------------------------------	----------------------------	----------------------------	-------------------------

# SELECTION/DIMENSIONS



## Special Duty Hinged Cap S-1 Units - Inch

NOTE: All sizes use a 1/4 - 28 fine thread hydraulic grease fitting



### HINGED CAP PILLOW BLOCK S-1 UNITS

SHAFT SIZE #	PART NUMBER	PART NAME	WEIGHT LBS APPROX
1-3/8	067149	S1U406-HC-106	8
1-7/16	067151	S1U406-HC-107	8
1-1/2	067152	S1U406-HC-108	8
1-11/16	067153	S1U444-HC-111	10
1-3/4	067154	S1U444-HC-112	10
1-15/16	067155	S1U481-HC-115	11
2	067156	S1U481-HC-200	11
2-3/16	067157	S1U538-HC-203	16
2-7/16	067159	S1U569-HC-207	19
2-15/16	067164	S1U656-HC-215	30

# Consult DODGE For Sizes Not Listed

### HINGED CAPS S-1 UNITS

SHAFT SIZE INCHES	A	B	C	E	K	L	R	S	T
1-3/8									
1-7/16	4-1/8	2-11/16	3/4	3-3/4	4-1/16	2-7/16	1-15/16	2-3/16	3-1/4
1-1/2									
1-11/16	4-1/4	3-1/8	3/4	4-1/8	4-7/16	2-13/16	2	2-1/4	3-17/32
1-3/4									
1-15/16	4-7/16	3-1/4	7/8	4-1/2	4-13/16	3-1/16	2-1/8	2-5/16	3-13/16
2									
2-3/16	4-3/4	3-1/2	7/8	5-1/16	5-3/8	3-7/16	2-1/4	2-1/2	4-7/32
2-7/16	5-5/16	4	1	5-5/16	5-11/16	3-13/16	2-9/16	2-3/4	4-5/8
2-15/16	6-1/16	4-7/16	1	6-3/16	6-9/16	4-7/16	2-15/16	3-1/8	5-1/4

FEATURES/BENEFITS  
PAGE B7-2

HOW TO ORDER  
PAGE B7-23

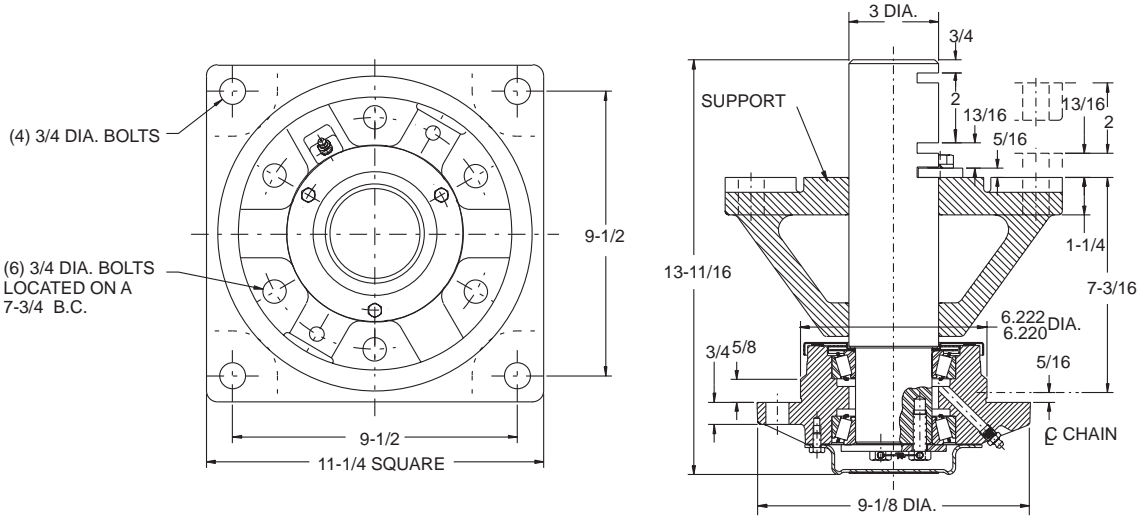
NOMENCLATURE  
PAGE B7-24

SELECTION  
PAGE B7-25

# SELECTION/DIMENSIONS



## Special Duty Traction Wheel Hub Assemblies - Inch



Traction Wheel Hub Assemblies are constructed to operate with wheels (sprockets) ranging from two to six feet in diameter. Commonly used in overhead chain conveyors, the units bolt directly to the supporting structure and can be adjusted vertically to three different operating positions.

The hub utilizes combination seals to protect the tapered roller bearings from dust and dirt and retain lubricant.

A high temperature (700°F) unit using sleeve bearings is available. See part number 062070

TRACTION WHEEL HUB ASSEMBLIES			
SIZE #	PART NUMBER	PART NAME	WEIGHT LBS (APPROX)
#70	062040	TRW-70	100
#70LS*	422604	TRW-70LS	80
75HT	062070	TRW-75HT	100

Recommended for Conveyors with Chain Nos.	Operating Characteristics		
	RPM	Max. Resultant Load (lbs)▲	L <sub>10</sub> Hours Life
348	10	3600	★
458	10	8000	
678	10	8000	

# Consult DODGE For Sizes Not Listed.

▲ Based on 180- Chain Wrap

★ More Than 100,000 Hrs. Life

\* (LS) Less Support - Support For Mounting To Structure Not Included With This Part

(HT) High Temperature Sleeve Bearing

FEATURES/BENEFITS PAGE B7-2	HOW TO ORDER PAGE B7-23	NOMENCLATURE PAGE B7-24	SELECTION PAGE B7-25
--------------------------------	----------------------------	----------------------------	-------------------------

# SPECIFICATION



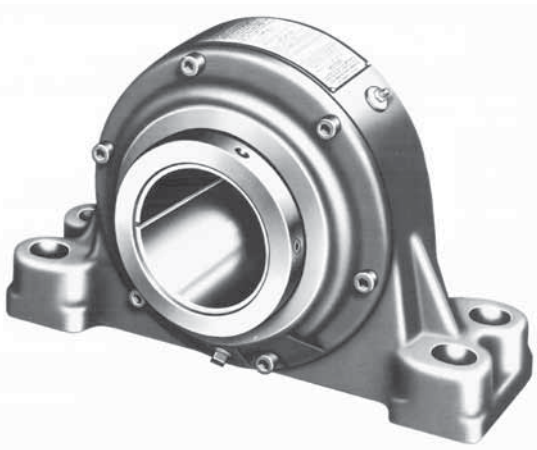
## All Steel

The standard housing material for All steel mounted bearings is cast steel having a minimum tensile strength of 70,000 psi. The housing is vertically split to enable servicing of the bearing internal components. All Steel pillow blocks are available in both expansion and non expansion types.

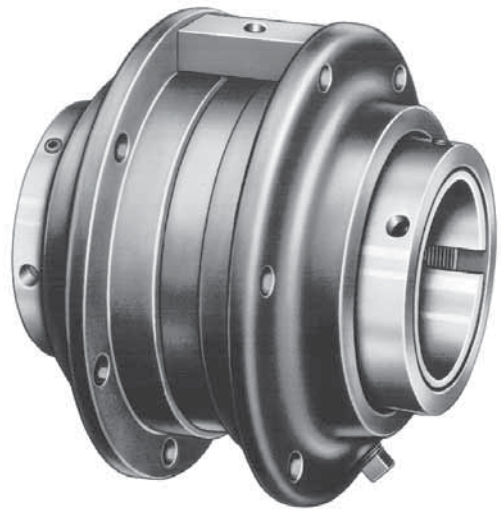
All Steel mounted bearings have duplex tapered roller mounted to the shaft with a tapered adaptor sleeve

extending thru the complete length of the pillow block. The tapered roller bearings used in the All Steel mounted bearings all have case carburized inner races (cones), outer race (cup) and rollers.

All Steel mounted bearings have two piston ring seals running in grooves in the adapter nuts at each end of the pillow block to seal the bearings both on and off the shaft.



ALL STEEL PILLOW BLOCKS AVAILABLE IN 4-BOLT BASE 2-11/16" TO 5"



ALL STEEL CARTRIDGE UNITS AVAILABLE IN 2-11/16" TO 4-7/16"

FEATURES/BENEFITS  
PAGE B7-2

HOW TO ORDER  
PAGE B7-23

NOMENCLATURE  
PAGE B7-24

SELECTION  
PAGE B7-25



# HOW TO ORDER



## All Steel

There are two ways to specify DODGE Bearings. Most of the product offering have part numbers with listings shown throughout this catalog. Use of part numbers ensures accurate order processing.

When part numbers are not shown, the product may be specified by description or part name. This method is used when ordering units that include modifications or options. To order by description, use the nomenclature key shown on page and add any special instructions to the end of the description for options not covered by the nomenclature.

### SPECIAL BEARING REQUIREMENTS AND SPECIAL LUBRICANTS

DODGE All Steel Bearings are factory assembled and pre-lubricated. For applications where extreme ambient temperatures, high speeds or high loads are expected,

a variety of specialty lubricants and adjustments are available. Standard grease provided is Mobilux EP2. Special lubricant options usually involve set-up charges and premiums. To order, specify type of lubricant required at the end of the product name or after the standard part number.

Example:

063360 except with Mobil Grease HTS #2 grease

and or

P4B-AS-215 except with Mobil Grease HTS #2 grease

### OTHER SPECIAL BEARING REQUIREMENTS NOT LISTED

For applications requiring modifications not listed, we encourage you to contact our Customer Order Engineering Department for Bearings at 864-284-5700.

D-LOK

Type E Family

Specialty Tapered

S-2000

UNISPHERE II

FEATURES/BENEFITS PAGE B7-2	HOW TO ORDER PAGE B7-23	NOMENCLATURE PAGE B7-24	SELECTION PAGE B7-25
--------------------------------	----------------------------	----------------------------	-------------------------

# NOMENCLATURE



## Specialty Tapered Products

P2B - C - 207 - E

**HOUSING STYLE  
STYLE**

**BEARING TYPE**

**SIZE**

**OTHER DATA**

P2B = PILLOW BLOCK  
2 BOLT, CAST IRON

P4B = PILLOW BLOCK  
4 BOLT, CAST IRON

SP4B = PILLOW BLOCK  
4 BOLT, CAST STEEL

F4B = FLANGE BEARING  
4 BOLT, CAST IRON

B1U = B-1 UNIT, CAST IRON

DU = D UNIT, CAST IRON

S1U = S-1 UNIT, CAST IRON

CRT = CARTRIDGE UNIT  
DUCTILE IRON END PLATES

NSTU = NARROW SLOT TAKE UP BEAR-  
ING, CAST IRON

HNG = HANGER BEARING CAST IRON

C = TYPE C

SD = SPECIAL DUTY

HC = HINGED CAP

TRW - TRACTION WHEEL

AS = ALL STEEL

INCHES & 16TH  
2 = 2 INCHES  
07 = 7/16 INCHES  
OR  
207 = 2-7/16"

E = EXPANSION  
TYPE BEARING  
IF E DOES NOT  
APPEAR AFTER  
SEAL TYPE, THEN  
BEARING IS NON-  
EXPANSION TYPE

D-LOK

Type E Family

Specialty Tapered

S-2000

UNISPHERE II

FEATURES/BENEFITS  
PAGE B7-2

HOW TO ORDER  
PAGE B7-23

SELECTION  
PAGE B7-25

SELECTION/DIMENSIONS  
PAGE B7-32



## All Steel

### DODGE ALL-STEEL DOUBLE ROW TAPERED ROLLER BEARINGS

DODGE All-Steel Double Row Tapered Roller Bearings have the capacity to carry heavy radial loads and combined radial and thrust loads. The maximum recommended load which can be applied is limited by various components in the system such as bearing, housing, shaft, shaft attachment, speed and life requirements as listed in this catalog. DODGE tapered roller bearings have been applied successfully even when these limits have been exceeded under controlled operating conditions. Contact DODGE Application Engineering (864) 284-5700 for applications which exceed the recommendations of this catalog.

**L<sub>10</sub> Hours Life** - The life which may be expected from at least 90% of a given group of bearings operating under identical conditions.

$$L_{10} = \left( \frac{C_{90}}{P} \right)^{10/3} \times \left( \frac{1,500,000}{\text{RPM}} \right)$$

Where:

$C_{90}$  = Dynamic Capacity (Table 11, pg. B7-54), lbs.

P = Equivalent Radial Load, lbs.

### GENERAL

**Heavy Service** - For heavy shock loads, frequent shock loads, or severe vibrations, add up to 50% (according to severity of conditions) to the Equivalent Radial Load. Consult DODGE Application Engineering for additional selection assistance.

Thrust load values shown in the table below are recommended as a guide for general applications that will give adequate L<sub>10</sub> life for pillow blocks. The maximum thrust load should not exceed values shown on Table 12. Where substantial radial load is also present, it is advisable to calculate actual L<sub>10</sub> life to assure that it meets the requirements. The effectiveness of the shaft attachment to carry thrust load depends on proper tightening, shaft tolerance (see table below) and shaft deflections. Therefore, it is advisable to use auxiliary thrust carrying devices such as shaft shoulder, snap ring or a thrust collar to locate the bearing under thrust loads heavier than shown below, or where extreme reliability is desired.

RPM RANGE	20 - 200	201 - 2000
RECOMMENDED THRUST LOAD	$C_{90}/4$	$C_{90}/8$

The shaft tolerances recommended below are adequate for normal radial and radial/thrust load applications. Since the allowable load, especially at a low speed, is very large, the shaft should be checked to assure adequate shaft strength.

The magnitude and direction of both the thrust and radial load must be taken into account when selecting a housing. **When pillow blocks are utilized, heavy loads should be directed through the base. Where uplift loads are involved, see Table 15, pg. B7-55 for maximum values.** Where a load pulls the housing away from the mounting base, both the hold-down bolts and housing must be of adequate strength. Auxiliary load carrying devices such as shear bars are advisable for side or end loading of pillow blocks and radial load for flange units.

SHAFT SIZE	TOLERANCE, INCHES
2-11/16 - 4	+.000 TO -.004"
4-7/16 - 5	+.000 TO -.005"

FEATURES/BENEFITS PAGE B7-2	HOW TO ORDER PAGE B7-6	NOMENCLATURE PAGE B7-7	SELECTION/DIMENSIONS PAGE B7-10
--------------------------------	---------------------------	---------------------------	------------------------------------



## All Steel

### SELECTING BEARINGS SUPPORTING RADIAL LOADS ONLY

1. Define  $L_{10}$  Life Hours desired.
2. Establish bearing radial load,  $F_R$  ( $FR = P$  for Pure Radial Load Conditions).  
The DODGE program BEST™\* can be used to find application loads.
3. Establish RPM.

Using the easy selection Table 11, pg. B7-54 find, under the RPM column, the equivalent radial load that equals or is higher than the application radial load for the desired life. The shaft size on the far left will be the minimum shaft size that you can use for your application. If the desired life is different than the values shown on the chart, use alternate Method A shown below.

- Example:
1.  $L_{10}$  Life = 30,000 Hours
  2. Radial load = 3800 lbs.
  3. RPM = 1,000

At the intersection of the 1,000 RPM column and the 30,000 hours  $L_{10}$  life row, the equivalent radial load of 4475 lbs. Exceeds the 3800 lbs. Radial load for shaft sizes 2-11/16 -3". A bearing with bore ranging from 2-11/16 to 3" may be used for this application.

### ALTERNATE METHOD A - SELECTING A BEARING FOR AN $L_{10}$ LIFE VALUE NOT SHOWN IN THE EASY SELECTION CHART.

The  $L_{10}$  life equation can be rearranged so that the bearing dynamic capacity C is identified in terms of  $L_{10}$ , RPM and P.

$$C_{90} = \left( \frac{L_{10} \times \text{RPM}}{1,500,000} \right)^{0.3} \times P$$

(P = FR for Pure Radial Load Conditions)

Since the  $L_{10}$ , RPM, and P are known, solve for  $C_{90}$ . Select from the dynamic capacity column on Table 10, pg. B7-54 the  $C_{90}$  value equal to or greater than the  $C_{90}$  value just calculated. The bore size on the far left represents the bore size selection. Check that the application RPM does not exceed the MAX. RPM on Table 10. When selecting an  $L_{10}$  life of less than 30,000 hours, particular attention must be paid to shaft deflection and proper lubricant selection.

### SELECTING BEARINGS SUPPORTING COMBINATION RADIAL AND THRUST LOADS

When a bearing supports both a radial load and a thrust load, the loading on the two rows is shared unequally depending on the ratio of thrust to radial load. The use of the X (radial factor) and Y (thrust factor) from Table 10 converts the applied thrust load and radial loads to an equivalent radial load having the same effect on the life of the bearing as a radial load of this magnitude.

★ The DODGE Bearing Evaluation and Selection Technique (BEST) is a menu driven computer program that calculates bearing loads, fatigue life and operating temperature for a two bearing shaft system based on user supplied input parameters. This interactive program is available at [www.ptwizord.com](http://www.ptwizord.com) under the Product Selection area.

FEATURES/BENEFITS PAGE B7-2	HOW TO ORDER PAGE B7-6	NOMENCLATURE PAGE B7-7	SELECTION/DIMENSIONS PAGE B7-10
--------------------------------	---------------------------	---------------------------	------------------------------------



## All Steel

The equivalent radial load  $P = XF_R + YF_A$

Where:

- P = Equivalent radial load, lbs.
- FR = Radial load, lbs. (see Table 10 for allowable slip fit maximum)
- FA = Thrust (axial) load, lbs.
- e = Thrust load to radial load factor (Table 10)
- X = Radial load factor (Table 10)
- Y = Thrust load factor (Table 10)

To find X and Y, calculate  $F_A/F_R$  and compare to **e** for the selected bore size. Determine X and Y from Table 10, depending on whether  $F_A/F_R$  is equal to or less than **e**, or  $F_A/F_R$  is greater than **e**. Substitute all known values into the equivalent radial load equation. P (equivalent radial load) can be used in the life formula to determine  $L_{10}$ , or it can be compared to the allowable equivalent radial load ratings for the speed and hours life desired in the easy selection Table 11, pg. B7-54.

### SELECTING BEARINGS SUPPORTING ONLY THRUST LOADS

Tapered Roller Bearings perform extremely well under pure thrust load applications. Use  $P = YF_A$  for the equivalent radial load. The value of Y is obtained from Table 10, pg. B7-53 for  $F_A/F_R > e$ . Substitute Y and  $F_A$  into the equivalent load equation. P (equivalent radial load) can be used in the life formula to determine  $L_{10}$  or it can be compared to the allowable equivalent radial load ratings for the speed and hours life desired in the easy selection Table 11, pg. B7-54.

### LUBRICATION

DODGE All Steel Double Row Tapered roller bearings are lubricated at the factory with Mobil Mobilux #2EP. Mobil Mobilux #2EP grease is superior industrial grease using a lithium hydroxystearate thickener and highly refined base oil. This grease will adequately handle low and medium speeds with low and medium loads at normal temperatures as defined on Table 14, pg. B7-55. For very low and high speeds, for heavy loads and for low and high temperatures, special greases must be used. Contact DODGE Application Engineering (864) 281-2195. DODGE engineers will recommend bearings and lubricants for the above unusual conditions. DODGE also has the expertise to custom design and build special bearings for your needs. The only maintenance requirement for DODGE Tapered roller bearings is periodic relubrication at regular intervals as outlined in the appropriate instruction manuals.

### INSTALLATION AND MAINTENANCE

In nearly all applications good design practice requires two bearings supporting the shaft. In cases where three or more bearings are installed, unless precautions are taken to line the bearings up, both vertically and horizontally, it is possible to induce heavy loads. In the case of two bearings, alignment is not as critical, especially with DODGE All Steel Double Row Tapered Roller Bearings. All Steel bearings are designed to allow as much as 1° to 2° of static misalignment depending on bore size. To ensure good alignment, mounting surfaces must be checked for flatness and must lie in the same plane. When tightening base bolts and cap bolts, each bolt should be alternately tightened in incremental torque values until full torque is achieved. Shimming may be required to minimize misalignment.

FEATURES/BENEFITS PAGE B7-2	HOW TO ORDER PAGE B7-6	NOMENCLATURE PAGE B7-7	SELECTION/DIMENSIONS PAGE B7-10
--------------------------------	---------------------------	---------------------------	------------------------------------



## All Steel

**Table 10: All Steel Double Row Tapered Roller Bearings Radial and Thrust Factors**

SHAFT SIZE	e	FA/FR ≤ e		FA/FR > e		DYNAMIC CAPACITY C <sub>90</sub> *		MAXIMUM RPM
		X	Y	X	Y	LBS.	NEWTONS	
2-11/16 - 3	0.43	0.87	2.02	0.70	2.44	11,000	48,945	1,880
3-1/4 - 3-1/2	0.49	0.87	1.77	0.70	2.14	21,000	93,441	1,520
3-15/16 - 4	0.34	0.87	2.53	0.70	3.06	23,000	102,340	1,340
4-7/16 - 4-1/2	0.36	0.87	2.45	0.70	2.96	34,500	153,510	1,210
4-15/16 - 5	0.34	0.87	2.53	0.70	3.06	35,400	157,515	1,070

**COMPARING SPHERICAL TO TAPER ROLLER BEARING**

The dynamic capacity C (spherical) and C<sub>90</sub> (taper) are not to the same base. To compare basic dynamic capacities, multiply C x .259 and compare to C<sub>90</sub>.

★ C<sub>90</sub>- Dynamic capacity based on a rated life of 90 million revolutions or 3000 hours at 500 RPM

**Table 11: Easy Selection Table Dodge All-steel Double Row Tapered Roller Bearings**

Shaft Size	Hours Life	Allowable Equivalent Radial Load Rating (Lbs.) at Various Revolutions Per Minute *															
		50	100	250	500	750	1000	1070	1210	1340	1520	1880	2180	2300	2700	2900	3250
2-11/16	5,000	18,829	15,294	11,618	9,437	8,356	7,665	7,511	7,239	7,021	6,760	6,343	6,067	5,971	5,690	5,569	5,382
	10,000	15,294	12,423	9,437	7,665	6,787	6,226	6,101	5,880	5,703	5,491	5,152	4,928	4,850	4,622	4,524	4,372
	<b>30,000</b>	11,000	8,935	6,787	5,513	4,882	4,478	4,388	4,229	4,102	3,949	3,705	3,544	3,488	3,324	3,254	3,144
	50,000	9,437	7,665	5,823	4,730	4,188	3,842	3,765	3,628	3,519	3,388	3,179	3,041	2,992	2,852	2,791	2,698
3	100,000	7,665	6,226	4,730	3,842	3,402	3,120	3,058	2,947	2,858	2,752	2,582	2,470	2,431	2,316	2,267	2,191
	5,000	35,947	29,198	22,181	18,016	15,953	14,634	14,340	13,820	13,404	12,906	12,109	11,583	11,398	10,863	10,633	10,275
	10,000	29,198	23,716	18,016	14,634	12,958	11,886	11,647	11,226	10,887	10,483	9,836	9,408	9,258	8,823	8,636	8,346
	<b>30,000</b>	21,000	17,057	12,958	10,525	9,319	8,549	8,377	8,074	7,830	7,540	7,074	6,767	6,659	6,346	6,211	6,003
3-1/4	50,000	18,016	14,634	11,117	9,030	7,995	7,334	7,187	6,927	6,718	6,468	6,069	5,805	5,713	5,444	5,329	5,150
	100,000	14,634	11,886	9,030	7,334	6,494	5,957	5,838	5,626	5,457	5,254	4,929	4,715	4,640	4,422	4,328	4,183
	5,000	39,371	31,979	24,293	19,732	17,472	16,027	15,705	15,137	14,680	14,135	13,262	12,686	12,484	11,897	11,645	11,254
	10,000	31,979	25,975	19,732	16,027	14,192	13,018	12,757	12,295	11,924	11,482	10,772	10,304	10,140	9,664	9,459	9,141
3-15/16	<b>30,000</b>	23,000	18,682	14,192	11,527	10,207	9,363	9,175	8,843	8,576	8,258	7,748	7,411	7,293	6,950	6,803	6,574
	50,000	19,732	16,027	12,175	9,889	8,757	8,033	7,871	7,586	7,358	7,085	6,647	6,358	6,257	5,963	5,836	5,640
	100,000	16,027	13,018	9,889	8,033	7,113	6,525	6,394	6,162	5,976	5,754	5,399	5,164	5,082	4,843	4,741	4,581
	5,000	59,056	47,968	36,440	29,598	26,208	24,041	23,558	22,705	22,020	21,203	19,893	19,029	18,726	17,846	17,468	16,881
4-7/16	10,000	47,968	38,962	29,598	24,041	21,288	19,527	19,135	18,442	17,886	17,222	16,158	15,456	15,210	14,496	14,188	13,711
	<b>30,000</b>	34,500	28,023	21,288	17,291	15,311	14,045	13,762	13,264	12,864	12,387	11,622	11,117	10,939	10,426	10,204	9,862
	50,000	29,598	24,041	18,263	14,834	13,135	12,049	11,807	11,379	11,036	10,627	9,970	9,537	9,385	8,944	8,755	8,460
	100,000	24,041	19,527	14,834	12,049	10,669	9,787	9,590	9,243	8,964	8,632	8,098	7,747	7,623	7,265	7,111	6,872
4-1/2	5,000	60,597	49,220	37,390	30,370	26,892	24,668	24,173	23,297	22,595	21,756	20,412	19,526	19,214	18,312	17,923	17,321
	10,000	49,220	39,979	30,370	24,668	21,843	20,037	19,634	18,923	18,353	17,672	16,580	15,860	15,607	14,874	14,558	14,069
	<b>30,000</b>	35,400	28,754	21,843	17,742	15,710	14,411	14,121	13,610	13,200	12,710	11,925	11,407	11,225	10,698	10,471	10,119
	50,000	30,370	24,668	18,739	15,221	13,478	12,363	12,115	11,676	11,324	10,904	10,230	9,786	9,630	9,178	8,983	8,681
100,000	24,668	20,037	15,221	12,363	10,947	10,042	9,840	9,484	9,198	8,857	8,310	7,949	7,822	7,455	7,296	7,051	

FEATURES/BENEFITS PAGE B7-2	HOW TO ORDER PAGE B7-6	NOMENCLATURE PAGE B7-7	SELECTION/DIMENSIONS PAGE B7-10
--------------------------------	---------------------------	---------------------------	------------------------------------



## All Steel

**Table 12: All-steel Pillow Block Housing Permissible Thrust Load, Lbs.**

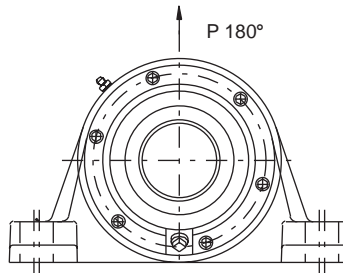
BORE SIZE, INCHES	MAX. THRUST (LBS.)
2-11/16 - 3	9300
3-1/4 - 3-1/2	13800
3-15/16 - 4	13300
4-7/16 - 4-1/2	10400
4-15/16 - 5	14000

**Table 13: All-steel Pillow Block And Cartridge Total Expansion Capability**

BORE SIZE, INCHES	EXPANSION (INCHES)
2-11/16 - 3	3/8
3-1/4 - 3-1/2	3/8
3-15/16 - 4	3/8
4-7/16 - 4-1/2	3/8
4-15/16 - 5	25/64

**Table 14: Definition Of Operating Conditions For Tapered Roller Bearings**

LOW SPEED	UP TO 20% OF MAX. RPM (TABLE 10)
MEDIUM SPEED	OVER 20% TO 80% OF MAX. RPM
HIGH SPEED	OVER 80% OF MAX. RPM
LIGHT LOAD	UP TO 30% OF C90 (TABLE 10)
NORMAL LOAD	OVER 30% TO 70% OF C90
HEAVY LOAD	OVER 70% OF C90
LOW TEMPERATURE	-100°F TO 20°F
MEDIUM TEMPERATURE	OVER 20°F TO 200°F
HIGH TEMPERATURE	OVER 200°F TO 300°F
VERY HIGH TEMPERATURE	OVER 300°F TO 400°F



**Table 15: Housing Ratings All-steel Pillow Block**

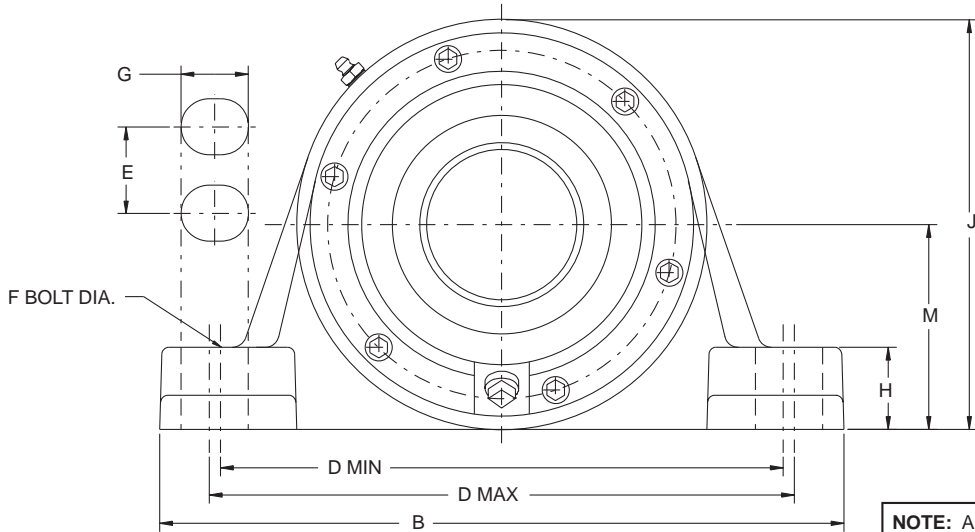
SHAFT SIZE, (INCHES)	HOUSING STRENGTH, LBS.
	180°
2-11/16 - 3	30000
3-1/4 - 3-1/2	32000
3-15/16 - 4	34000
4-7/16 - 4-1/2	39000
4-15/16 - 5	39000

FEATURES/BENEFITS PAGE B7-2	HOW TO ORDER PAGE B7-6	NOMENCLATURE PAGE B7-7	SELECTION/DIMENSIONS PAGE B7-10
--------------------------------	---------------------------	---------------------------	------------------------------------

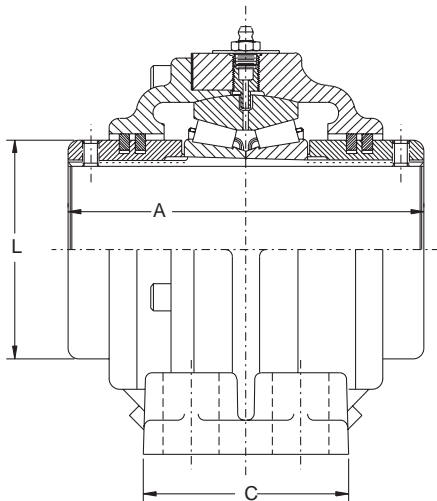
# SELECTION/DIMENSIONS



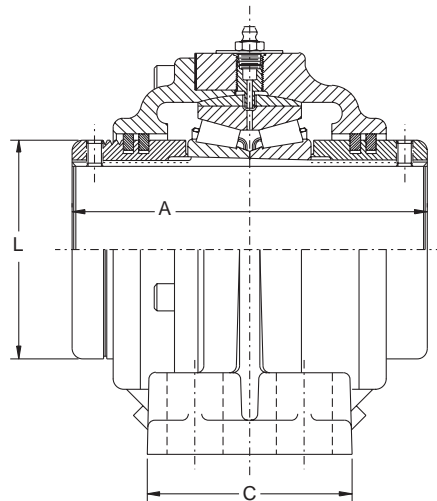
## All Steel Pillow Block - Inch 4-BOLT BASE



**NOTE:** All sizes use a 1/8 - 27 NPT hydraulic grease fitting



NON-EXPANSION CONSTRUCTION



EXPANSION CONSTRUCTION

FEATURES/BENEFITS  
PAGE B7-2

HOW TO ORDER  
PAGE B7-6

NOMENCLATURE  
PAGE B7-7

SELECTION/DIMENSIONS  
PAGE B7-10



# SELECTION/DIMENSIONS



## All Steel Pillow Block - Inch 4-BOLT BASE

CAST STEEL NON-EXPANSION*			
SHAFT SIZE INCHES #	PART NUMBER	PART NAME	WEIGHT LBS APPROX
2-11/16	<b>063359</b>	SP4B-AS-211	45
2-15/16	<b>063360</b>	SP4B-AS-215	42
3	<b>063361</b>	SP4B-AS-300	41
3-7/16	<b>063362</b>	SP4B-AS-307	77
3-1/2	<b>063363</b>	SP4B-AS-308	77
3-15/16	<b>063364</b>	SP4B-AS-315	95
4	<b>063365</b>	SP4B-AS-400	93
4-7/16	<b>063366</b>	SP4B-AS-407	149
4-15/16	<b>063368</b>	SP4B-AS-415	190
5	<b>063369</b>	SP4B-AS-500	180

\* Furnished Unless Otherwise Specified

# Consult DODGE For Sizes Not Listed.

CAST STEEL EXPANSION			
SHAFT SIZE INCHES #	PART NUMBER	PART NAME	WEIGHT LBS APPROX
2-11/16	<b>063389</b>	SP4B-AS-211E	45
2-15/16	<b>063390</b>	SP4B-AS-215E	42
3	<b>063411</b>	SP4B-AS-300E	41
3-7/16	<b>063392</b>	SP4B-AS-307E	77
3-1/2	<b>063393</b>	SP4B-AS-308E	77
3-15/16	<b>063394</b>	SP4B-AS-315E	95
4	<b>063395</b>	SP4B-AS-400E	93
4-7/16	<b>063396</b>	SP4B-AS-407E	149
4-15/16	<b>063398</b>	SP4B-AS-415E	190
5	<b>063399</b>	SP4B-AS-500E	180

# Consult DODGE For Sizes Not Listed.

SHAFT SIZE INCHES	A	B	C	D		E	F BOLT DIA.	G	H	J	L	M	EXP*
				MIN.	MAX.								
2-11/16													
2-15/16	6-1/2	12-1/2	3-3/4	10-5/16	10-11/16	2	5/8	15/16	1-5/8	7-1/2	4	3-3/4	3/8
3													
3-7/16	7-3/4	14-1/2	4-1/2	11-7/8	12-5/8	2-3/8	3/4	1-1/8	1-7/8	9	4-11/16	4-1/2	3/8
3-1/2													
3-15/16	8	15-3/4	4-3/4	13-1/8	13-7/8	2-3/4	3/4	1-1/8	2	9-3/4	5-7/16	4-15/16	3/8
4													
4-7/16	9-3/4	18-1/4	5-1/4	14-13/16	15-11/16	3-1/4	7/8	1-5/16	2-1/4	11-3/8	6-1/16	5-3/4	3/8
4-15/16	9-3/4	19-1/2	5-7/8	16	17	3-3/8	1	1-1/2	2-1/2	12	6-13/16	6	25/64
5													

\* Total Expansion for Expansion Bearing Only

FEATURES/BENEFITS PAGE B7-2	HOW TO ORDER PAGE B7-6	NOMENCLATURE PAGE B7-7	SELECTION/DIMENSIONS PAGE B7-10
--------------------------------	---------------------------	---------------------------	------------------------------------

# SELECTION/DIMENSIONS



## All Steel Cartridge Units - Inch

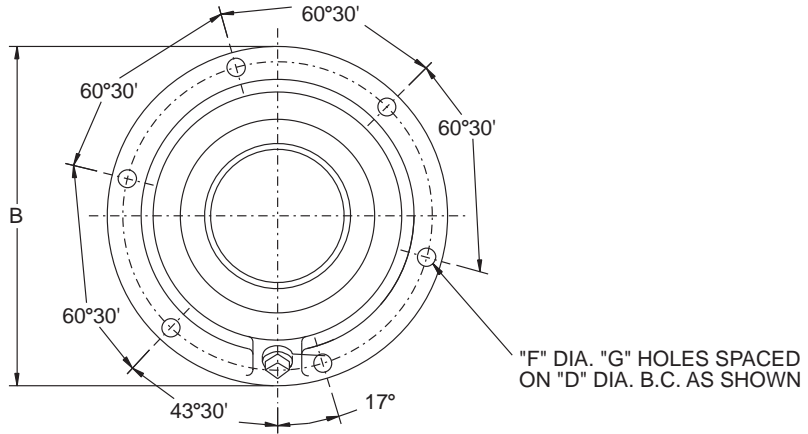
D-LOK

Type E Family

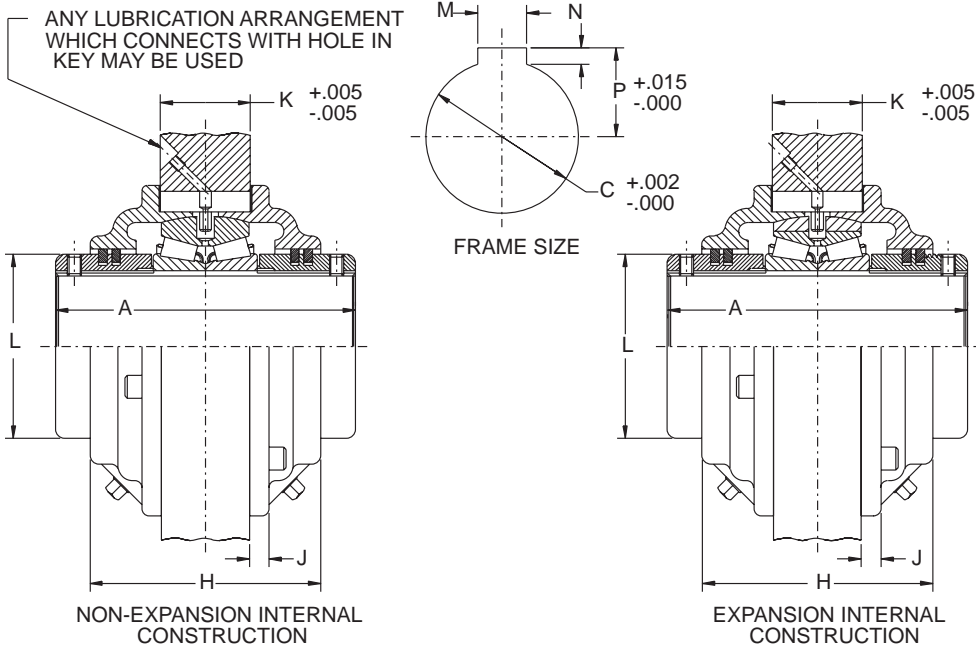
Specialty Tapered

S-2000

UNISPHERE II



2-11/16" THRU 4-7/16" EXTERNAL CONSTRUCTION



FEATURES/BENEFITS PAGE B7-2	HOW TO ORDER PAGE B7-6	NOMENCLATURE PAGE B7-7	SELECTION/DIMENSIONS PAGE B7-10
--------------------------------	---------------------------	---------------------------	------------------------------------

# SELECTION/DIMENSIONS



## All Steel Cartridge Units - Inch

CAST STEEL NON-EXPANSION*			
SHAFT SIZE INCHES #	PART NUMBER	PART NAME	WEIGHT LBS APPROX
2-11/16	<b>063420</b>	CRT-AS-211	30
2-15/16	<b>063421</b>	CRT-AS-215	30
3	<b>063422</b>	CRT-AS-300	30
3-7/16	<b>063424</b>	CRT-AS-307	55
3-15/16	<b>063426</b>	CRT-AS-315	65
4-7/16	<b>063429</b>	CRT-AS-407	110

\* Furnished Unless Otherwise Specified

# Consult DODGE For Sizes Not Listed.

CAST STEEL EXPANSION			
SHAFT SIZE INCHES #	PART NUMBER	PART NAME	WEIGHT LBS APPROX
2-11/16	<b>063450</b>	CRT-AS-211E	30
2-15/16	<b>063451</b>	CRT-AS-215E	30
3	<b>063452</b>	CRT-AS-300E	30
3-7/16	<b>063454</b>	CRT-AS-307E	55
3-15/16	<b>063456</b>	CRT-AS-315E	65
4-7/16	<b>063459</b>	CRT-AS-407E	110

# Consult DODGE For Sizes Not Listed.

SHAFT SIZE INCHES	A	B	C	D	F BOLT DIA.	G	H	J	K	L	M	N	P	EXP*
2-11/16														3/8
2-15/16	6-1/2	7-1/8	5.697	6-3/8	3/8	6	4-7/8	3/8	2-3/16	4	1	5/8	3.429	
3														
3-7/16	7-3/4	8-3/4	7.197	7-7/8	7/16	6	6-1/32	7/16	2-3/4	4-11/16	1	5/8	4.189	
3-15/16	8	9-1/2	7.885	8-5/8	7/16	6	5-31/32	7/16	3-1/8	5-7/16	1	5/8	4.536	
4-7/16	9-1/4	10-15/16	9.072	9-7/8	1/2	6	7	1/2	3-1/2	6-1/16	1	5/8	5.133	

\* Total Expansion for Expansion Bearing Only

FEATURES/BENEFITS PAGE B7-2	HOW TO ORDER PAGE B7-6	NOMENCLATURE PAGE B7-7	SELECTION/DIMENSIONS PAGE B7-10
--------------------------------	---------------------------	---------------------------	------------------------------------

# NOTES



D-LOK

Type E Family

Specialty Tapered

S-2000

UNISPHERE II

FEATURES/BENEFITS PAGE B7-2	HOW TO ORDER PAGE B7-6	NOMENCLATURE PAGE B7-7	SELECTION/DIMENSIONS PAGE B7-10
--------------------------------	---------------------------	---------------------------	------------------------------------

# CONTENTS



## S-2000

Features / Benefits .....	B8-3
Specifications .....	B8-5
How to Order .....	B8-6
Nomenclature .....	B8-7
Selection .....	B8-9
Dimensions	
Pillow Block .....	B8-18
Flanges .....	B8-26
Piloted Flange .....	B8-32
Wide-Slot Take-Ups .....	B8-36
TP Take-Up .....	B8-40
Bearing Insert .....	B8-42
End Cap .....	B8-44
Part Number Index .....	INDEX-1
Key Word Index .....	INDEX-34

D-LOK

Type E Family

Speciality Tapered

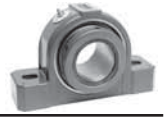
S-2000

UNISPHERE II

# NOTES

---

**DODGE**<sup>®</sup>



D-LOK

Type E Family

Specialty Tapered

S-2000

UNISPHERE II



## S-2000

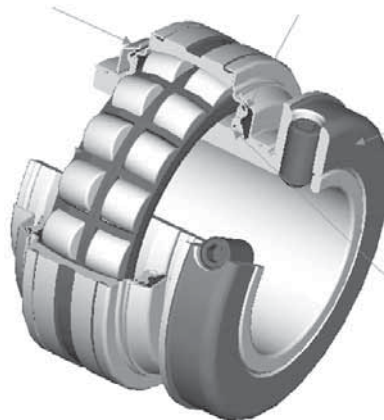
### Longer Bearing Life By Design . . .

High capacity double row spherical rollers offer up to 250% more  $L_{10}$  life than competitive brands

- Larger rollers
- More contact area
- Case-carburized inner rings resist cracking
- Static or dynamic misalignment up to  $\pm 1^\circ$
- Expansion capability up to 3/8" (9.5mm)

Corrosion Resistant  
Flinger Blocks  
Contaminants

Patented Triple Lip Nitrile  
Seal Resists Heat and  
Chemical Breakdown



Ease In Mounting  
And Dismounting  
Achieved Through  
Locking Collar

Seal/Land Maintains  
Full Seal Contact  
When Misaligned

### Installation Savings . . .

- Factory lubed, sealed and adjusted, ready to slip onto the shaft
- 65° Springlok collar mount for increased holding power versus 90° or 120°
- Field convertible from non-expansion to expansion and expansion to non-expansion
- Elongated pillow block bolt holes to facilitate mounting

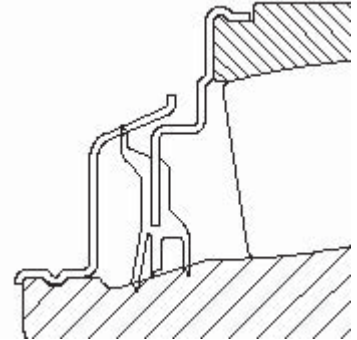


## S-2000

# S-2000 Bearings Offer Patented Seal Options To Maximize Bearing Life . . .

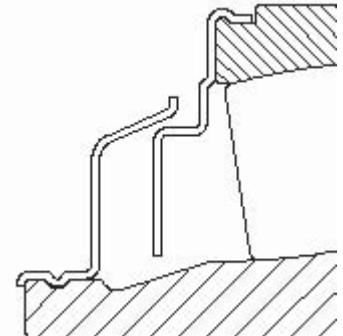
TRIDENT™ Seals for low to medium speed

- Face rubbing triple lip seal
- Flinger to shield seal and bearing from contamination/damage
- Seal/land positive contact up to  $\pm 1^\circ$  degree of misalignment
- Patented design



Labyrinth seals for higher speeds

- High speed for relatively clean environments
- Flinger shields seal and bearing from contamination/damage
- Seal operates with up to  $\pm 1^\circ$  degree of misalignment
- Patented design





# SPECIFICATION



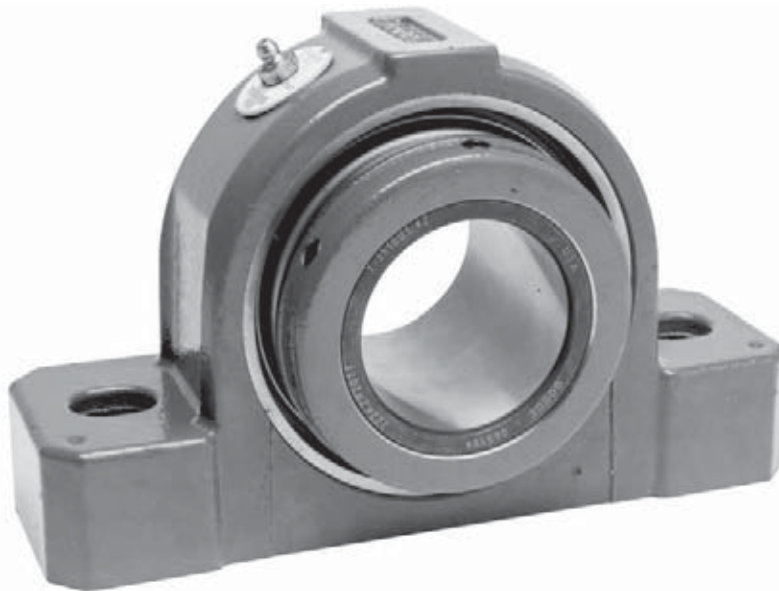
## S-2000

### INCH

DODGE Spherical Bearings, including S-2000 bearings, are general purpose, high-capacity, double-row spherical roller bearings. All are mounted in single piece precision machined housings. Bearings are mounted to shafts by means of set screw collars, with 65 degree set screw spacing for maximum clamping force.

Housings are available in a variety of standard configurations, including pillow blocks, flanges, piloted flanges and take-up bearings. TRIDENT triple lip contact seal and Labyrinth seals are available on S-2000 bearings.

ASTM A48 Class 30 cast iron is the standard material used in S-2000 housings. Housing designs are available for survival in extreme harsh environments, through the use of special finishes and stainless hardware.



D-LOK

Type E Family

Speciality Tapered

S-2000

UNISPHERE II

FEATURES/BENEFITS PAGE B7-3	HOW TO ORDER PAGE B7-6	DIMENSION PAGE B8-18	INTERCHANGE CHARTS PAGE B8-46
--------------------------------	---------------------------	-------------------------	----------------------------------

# HOW TO ORDER



## S-2000

There are two ways to specify DODGE Bearings. Most of the product offerings have part numbers with listings shown throughout this catalog. Use of part numbers ensures accurate order processing.

When part numbers are not shown, the product may be specified by description or part name. This method is used when ordering units that include modifications or options. To order by description, use the nomenclature key shown on page B8-7 and add any special instructions to the end of the description for options not covered by the nomenclature.

DODGE Spherical Bearings are factory adjusted and pre-lubricated. For applications where extreme ambient temperatures, high speeds, or high loads are expected, a variety of specialty lubricants is available. Standard

grease provided is lithium complex base Mobilith AW2. High temperature greases available include Mobil HTS #2 and Mobilith SHC460. Other special lubricants are available upon request. Special lubricant options usually involve set-up charges, minimum quantities and list price premiums. To order, specify type of lubricant required at the end of the product name or after the standard part number.

Example: 070320 except with Mobilith SHC 460 grease  
or

P2BS2108L except with Mobilith SHC 460  
grease

For applications requiring modifications not listed, we encourage you to contact our Application Engineering Department for Bearings at 864-284-5700.

D-LOK

Type E Family

Specialty Tapered

S-2000

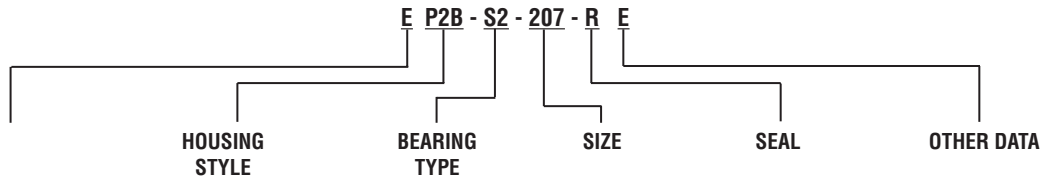
UNISPHERE II

FEATURES/BENEFITS PAGE B8-3	NOMENCLATURE PAGE B8-7	DIMENSION PAGE B8-18	INTERCHANGE CHARTS PAGE B8-46
--------------------------------	---------------------------	-------------------------	----------------------------------

# NOMENCLATURE



## S-2000



“E” prefix denotes Type E dimensioned housing with S2000 spherical roller bearing insert \*

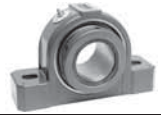
HOUSING STYLE	BEARING TYPE	SIZE	SEAL	OTHER DATA
P2B = Pillow Block 2 Bolt Base, Cast Iron	S2 = S-2000	Inches and 16th 2 = 2” 07 = 7/16” 207 = 2-7/16”	R = TRIDENT Triple Lip Rubbing Seal L = Labyrinth Metallic Seal	E = Expansion Type Bearing - If “E” Does Not Appear, Bearing Is Non Expansion Type
P4B = Pillow Block 4 Bolt Base, Cast Iron				
F3R = Flange Bearing 3 Bolt, Cast Iron, Round				
F4S = Flange Bearing 4 Bolt, Cast Iron, Square				
F4R = Flange Bearing 4 Bolt, Cast Iron, Round				
FC = Piloted Flanged (Flanged Cartridge)				
WSTU = Wide Slot Take-Up Bearing For Use In Center-Pull Frames				
TPHU = TPHU Take-up Bearing For Use In TPHU Or Top Angle Take-Up Frames				

\* Available in two or four bolt pillow blocks, four bolt square flanges and piloted flanges

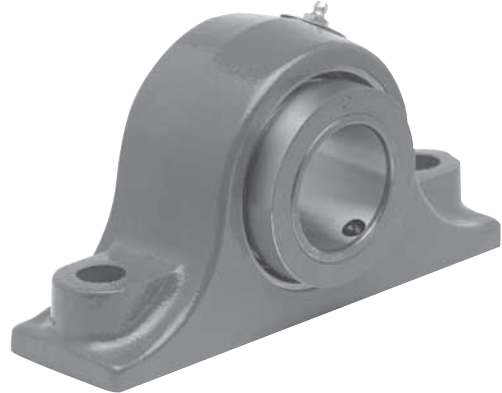
FEATURES/BENEFITS PAGE B8-3	HOW TO ORDER PAGE B8-6	DIMENSION PAGE B8-18	INTERCHANGE CHARTS PAGE B8-46
--------------------------------	---------------------------	-------------------------	----------------------------------

# FEATURES/BENEFITS

**DODGE**<sup>®</sup>



## S-2000-E



- Interchangeable with Type E style pillow blocks and flanges
- Same proven DODGE S-2000 double row spherical insert
- 65° springlock collar mounting
- Up to  $\pm 1^\circ$  misalignment capability
- Seal land on OD of inner ring maintains full contact pressure even when misaligned
- High capacity double row spherical bearing
- 2 bolt pillow blocks in sizes 1-3/8 to 3-7/16"
- 4 bolt pillow blocks in sizes 2-7/16 to 4-15/16"
- Flange bearings in sizes 1-3/8 to 4-7/16"
- Piloted flange bearings in sizes 1-3/8 to 4-15/16"

# SELECTION



## S-2000 SPHERICAL ROLLER BEARINGS

DODGE Spherical Roller Bearings have the capacity to carry heavy radial loads and combined radial and thrust loads. The maximum recommended load which can be applied is limited by various components in the system such as bearing, housing, shaft, shaft attachment, speed and life requirements as listed in this catalog. DODGE spherical roller bearings have been applied successfully even when these limits have been exceeded under controlled operating conditions. Contact DODGE Application Engineering (864-284-5700) for applications which exceed the recommendations of this catalog.

$L_{10}$  Hours Life - The life which may be expected from at least 90% of a given group of bearings operating under identical conditions.

$$L_{10} \text{ Life, Hours} = \left( \frac{C}{P} \right)^{10/3} \times \left( \frac{16667}{\text{RPM}} \right)$$

Where: C = Dynamic Capacity  
(Table 1 on page B8-12) lbs.  
P = Equivalent Radial Load, lbs.

### GENERAL

**Heavy Service** - For heavy shock loads, frequent shock loads, or severe vibrations, add up to 50% (according to severity of conditions) to the Equivalent Radial Load to obtain a Modified Equivalent Radial Load. Consult DODGE Application Engineering for additional selection assistance.

Thrust load values shown in the table below are recommended as a guide for general applications that will give adequate  $L_{10}$  life. Spherical bearings require a radial load at least equal to the thrust load for proper operation. If the thrust load exceeds this limit, consult Application Engineering. Where substantial radial load is also present, it is advisable to calculate actual

$L_{10}$  life to assure that it meets the requirements. The effectiveness of the shaft attachment to carry thrust load depends on proper tightening of the set screws, shaft tolerance and shaft deflections. Therefore, it is advisable to use auxiliary thrust carrying devices such as shaft shoulder, snap ring or a thrust collar to locate the bearing under thrust loads heavier than shown below, or where extreme reliability is desired.

RPM	20-200	201 - 2000	Over 2000
RECOMMENDED THRUST LOAD	C/20	C/40	C/60

The shaft tolerances recommended below are adequate for normal radial and radial/thrust load applications. The radial load is limited by the attachment to the shaft (see Table 1 on page B8-12). Where the applied radial load (FR) exceeds this limit (maximum allowable slip fit radial load), a snug-to-light press fit of the shaft is required. Since the allowable load, especially at a low speed, is very large, the shaft should be checked to assure adequate shaft strength.

The magnitude and direction of both the thrust and radial load must be taken into account when selecting a housing. **When pillow blocks are utilized, heavy loads should be directed through the base. Where uplift loads are involved, see Table 4 on page B8-16 and for maximum values.** Where a load pulls the housing away from the mounting base, both the hold-down bolts and housing must be of adequate strength. Auxiliary load carrying devices such as shear bars are advisable for side or end loading of pillow blocks and radial loads for flange units.

SHAFT TOLERANCES	
SHAFT SIZE	S-2000
UP TO 1-1/2"	+ .0000 - .0005"
1-9/16 TO 4"	+ .000 - .001"
4-7/16 TO 5"	+ .000 - .0015"

FEATURES/BENEFITS PAGE B8-3	HOW TO ORDER PAGE B8-6	DIMENSION PAGE B8-18	INTERCHANGE CHARTS PAGE B8-46
--------------------------------	---------------------------	-------------------------	----------------------------------



# SELECTION

D-LOK

## S-2000

### BEARING SUPPORTING RADIAL LOADS ONLY

1. Define  $L_{10}$  Life Hours desired.
2. Establish bearing radial load,  $F_R$   
( $F_R = P$  for Pure Radial Load Conditions). The DODGE program BEST™\* can be used to find application loads.
3. Establish RPM.

Using the easy selection Table 2 on page B8-13, find, under the RPM column, the equivalent radial load that equals or is slightly higher than the application radial load for the desired life. The shaft size on the far left will be the minimum shaft size that you can use for your application.

If the desired life is different than the values shown on the chart, use alternate Method A shown below.

- Example:
1.  $L_{10}$  Life = 30,000 Hours
  2. Radial load = 4000 lbs.
  3. RPM = 1,000

At the intersection of the 1,000 RPM column and the 30,000 hours  $L_{10}$  life row, the equivalent radial load of 4011 lbs. exceeds the 4000 lbs. radial load for shaft size 2-7/16". A bearing with bore 2-7/16", or larger, may be used for this application.

Since the  $L_{10}$ , RPM and P are known, solve for C. Select from the dynamic capacity column on Table 1 on page B8-12 the C value equal to or greater than the C value just calculated. The bore size on the far left represents the proper bore size selection. Check that the application RPM does not exceed the MAX. RPM on Table 1. Also check that the radial load does not exceed the Maximum Allowable Slip Fit Radial Load shown on Table 1 on page B8-12. If it does, a line-to-line to light press fit of shaft is required. When selecting an  $L_{10}$  life of less than 30,000 hours, particular attention must be paid to shaft deflection and proper lubricant selection.

### SELECTING BEARINGS SUPPORTING COMBINATION RADIAL AND THRUST LOADS

When a bearing supports both a radial load and a thrust load, the loading on the two rows is shared unequally depending on the ratio of thrust to radial load. The use of the X (radial factor) and Y (thrust factor) from Table 1 converts the applied thrust load and radial loads to an equivalent radial load having the same effect on the life of the bearing as a radial load of this magnitude.

$$P = XF_R + YF_A$$

Where:

- P = Equivalent radial load, lbs.
- $F_R$  = Radial load, lbs. (see Table 1 for allowable slip fit maximum load)
- $F_A$  = Thrust (axial) load, lbs.
- e = Thrust load to radial load factor (Table 1)
- X = Radial load factor (Table 1)
- Y = Thrust load factor (Table 1)

### ALTERNATE METHOD A - SELECTING A BEARING FOR AN $L_{10}$ LIFE VALUE NOT SHOWN IN THE EASY SELECTION CHART.

The  $L_{10}$  life equation can be rearranged so that the bearing dynamic capacity C is identified in terms of  $L_{10}$ , RPM and P

$$C = \left( \frac{L_{10} \times \text{RPM}}{16667} \right)^{0.3} \times P$$

(P =  $F_R$  for Pure Radial Load Conditions)

★ The DODGE Bearing Evaluation and Selection Technique (BEST) is a menu driven computer program that calculates bearing loads, fatigue life and operating temperature for a two bearing shaft system based on user supplied input parameters. This interactive program is available at [www.ptwizard.com](http://www.ptwizard.com) under the Product Selection area.

Type E Family

Specialty Tapered

S-2000

UNISPHERE II

FEATURES/BENEFITS PAGE B8-3	HOW TO ORDER PAGE B8-6	DIMENSION PAGE B8-18	INTERCHANGE CHARTS PAGE B8-46
--------------------------------	---------------------------	-------------------------	----------------------------------

# SELECTION



## S-2000

To find X and Y, calculate  $F_A/F_R$  and compare to **e** for the selected bore size. Determine X and Y from Table 1 on page B8-12 depending on whether  $F_A/F_R$  is equal to or less than **e**, or  $F_A/F_R$  is greater than **e**. Substitute all known values into the equivalent radial load equation. P (equivalent radial load) can be used in the life formula to determine  $L_{10}$ , or it can be compared to the allowable equivalent radial load ratings for the speed and hours life desired in the easy selection Table 2 on page B8-13.

### SELECTING BEARINGS SUPPORTING ONLY THRUST LOADS

Spherical Roller Bearings generally are not recommended for pure thrust load applications. However, they will perform satisfactorily under very light pure thrust loads. Consult DODGE Application Engineering (864-281-2195).

### SELECTING LUBRICATION

DODGE S-2000 spherical roller bearings are lubricated at the factory with Mobilith AW2 grease. Mobilith AW2 grease is a superior industrial grease using a lithium complex thickener and highly refined base oil. This grease will adequately handle low and medium speeds with low and medium loads at normal temperatures as defined on Table 3 on page B8-15. For very low and high speeds, for heavy loads and for low and high temperatures, special

greases must be used. Contact DODGE Application Engineering (864-284-5700). DODGE engineers will recommend bearings and lubricants for the above unusual conditions. DODGE also has the expertise to custom design and build special bearings for your needs. The only maintenance requirement for DODGE Unitized roller bearings is periodic relubrication at regular intervals as outlined in the appropriate instruction manuals.

### MISALIGNMENT CONSIDERATIONS

In nearly all applications, good design practice requires two bearings supporting the shaft. In cases where three or more bearings are installed, unless precautions are taken to line the bearings up both vertically and horizontally, it is possible to induce heavy loads. In the case of two bearings, alignment is not as critical, especially with DODGE Unitized Spherical Roller Bearings. S-2000 bearings are designed to allow a maximum of  $\pm 1^\circ$  of static and dynamic misalignment. However, for optimum seal performance, misalignment should be kept under  $\pm 0.5^\circ$ . To ensure good alignment, mounting surfaces must be checked for flatness and must lie in the same plane. When tightening base bolts, each bolt should be alternately tightened in incremental torque values until full torque is achieved to prevent the angular shifting of the pillow block that occurs when one bolt is tightened to its full torque. Shimming may be required to minimize misalignment.

D-LOK

Type E Family

Speciality Tapered

S-2000

UNISPHERE II

FEATURES/BENEFITS PAGE B8-3	HOW TO ORDER PAGE B8-6	DIMENSION PAGE B8-18	INTERCHANGE CHARTS PAGE B8-46
--------------------------------	---------------------------	-------------------------	----------------------------------

# SELECTION



## S-2000

Table 1: S-2000 Spherical Roller Bearings

Shaft Size Inches	Basic Bearing Description	e	FA/FR < e		FA/FR > e		Max. Allowable Slip Fit Radial Load FR* Pounds	Dynamic Capacity (C) Pounds	Static Capacity Co	Maximum Speed **	
			X	Y	X	Y				Labyrinth RPM	TRIDENT Triple Lip RPM
1-3/8 1-7/16 1-1/2	22208	0.28	1.0	2.4	0.67	3.6	3,750	20,800	21,000	3,600	2,900
1-11/16 1-3/4	22209	0.26	1.0	2.6	0.67	3.9	3,750	20,800	22,000	3,360	2,460
1-15/16 2	22210	0.24	1.0	2.8	0.67	4.2	4,000	22,000	24,000	3,180	2,200
2-3/16	22211	0.23	1.0	2.9	0.67	4.3	4,860	27,000	29,000	2,700	1,950
2-7/16	22213	0.24	1.0	2.8	0.67	4.2	6,840	39,000	47,500	2,250	1,740
2-11/16 2-15/16 3	22215	0.22	1.0	3.1	0.67	4.6	7,500	41,500	53,000	2,040	1,490
3-7/16	22218	0.23	1.0	2.9	0.67	4.3	11,500	65,500	81,500	1,560	1,280
3-15/16	22220	0.24	1.0	2.8	0.67	4.2	14,400	83,000	104,000	1,320	1,075
4-7/16	22222	0.25	1.0	2.7	0.67	4.1	18,400	104,000	132,000	1,200	990
4-15/16	22226	0.26	1.0	2.6	0.67	3.9	25,700	146,000	196,000	1,020	870

\* If load exceeds the maximum allowable slip fit load, line- to-line to light press fit of shaft required. Maximum slip fit radial loads apply if recommended shaft sizes are used.

\*\* Maximum speed is dependent on load and ambient conditions, consult DODGE Engineering.

D-LOK

Type E Family

Specialty Tapered

S-2000

UNISPHERE II

FEATURES/BENEFITS PAGE B8-3	HOW TO ORDER PAGE B8-6	DIMENSION PAGE B8-18	INTERCHANGE CHARTS PAGE B8-46
--------------------------------	---------------------------	-------------------------	----------------------------------



# SELECTION



## S-2000

**Table 2: Easy Selection Table for S-2000 Double Row Spherical Roller Bearings**

Shaft Size Inches	L10 Life Hours	Allowable Equivalent Radial Load Rating (lbs.) at Various Revolutions per Minute																
		50	100	150	250	500	870	1,020	1,200	1,320	1,560	1,750	2,040	2,250	2,700	3180	3360	3600
1-3/8 to 1-1/2	10,000	7,498	6,090	5,393	4,626	3,758	3,182	3,034	2,890	2,808	2,671	2,581	2,465	2,393	1,495	2,157	2,122	2,078
	30,000	5,393	4,380	3,878	3,327	2,703	2,289	2,182	2,078	2,020	1,921	1,856	1,773	1,721	1,495	1,552	1,526	1,495
	40,000	4,947	4,018	3,558	3,052	2,479	2,100	2,002	1,907	1,853	1,762	1,703	1,626	1,579	1,495	1,423	1,400	1,371
	60,000	4,380	3,558	3,150	2,703	2,195	1,859	1,773	1,688	1,641	1,560	1,508	1,440	1,398	1,324	1,260	1,240	1,214
	100,000	3,758	3,052	2,703	2,319	1,883	1,595	1,521	1,448	1,407	1,339	1,293	1,235	1,199	1,136	1,081	1,063	1,042
1-11/16 to 1-3/4	10,000	7,498	6,090	5,393	4,626	3,758	3,182	3,034	2,890	2,808	2,671	2,581	2,465	1,579	2,266	2,157	2,122	
	30,000	5,393	4,380	3,878	3,327	2,703	2,289	2,182	2,078	2,020	1,921	1,856	1,773	1,579	1,630	1,552	1,526	
	40,000	4,947	4,018	3,558	3,052	2,479	2,100	2,002	1,907	1,853	1,762	1,703	1,626	1,579	1,495	1,423	1,400	
	60,000	4,380	3,558	3,150	2,703	2,195	1,859	1,773	1,688	1,641	1,560	1,508	1,440	1,398	1,324	1,260	1,240	
	100,000	3,758	3,052	2,703	2,319	1,883	1,595	1,521	1,448	1,407	1,339	1,293	1,235	1,199	1,136	1,081	1,063	
1-15/16 to 2	10,000	7,930	6,441	5,704	4,893	3,975	3,366	3,209	3,057	2,970	2,825	2,729	1,720	2,531	2,396	2,282		
	30,000	5,704	4,633	4,102	3,519	2,859	2,421	2,308	2,198	2,136	2,032	1,963	1,720	1,820	1,724	1,641		
	40,000	5,232	4,250	3,763	3,228	2,622	2,221	2,117	2,017	1,960	1,864	1,801	1,720	1,670	1,581	1,505		
	60,000	4,633	3,763	3,332	2,859	2,322	1,966	1,875	1,786	1,735	1,650	1,594	1,523	1,479	1,400	1,333		
	100,000	3,975	3,228	2,859	2,452	1,992	1,687	1,608	1,532	1,489	1,416	1,368	1,306	1,269	1,201	1,144		
2-3/16	10,000	9,733	7,905	7,000	6,005	4,878	4,131	3,939	3,751	3,645	3,467	2,210	3,199	3,106	2,941			
	30,000	7,000	5,686	5,035	4,319	3,508	2,971	2,833	2,698	2,622	2,494	2,210	2,301	2,234	2,115			
	40,000	6,421	5,216	4,618	3,962	3,218	2,726	2,599	2,475	2,405	2,288	2,210	2,111	2,050	1,940			
	60,000	5,686	4,618	4,089	3,508	2,850	2,413	2,301	2,191	2,130	2,026	1,957	1,869	1,815	1,718			
	100,000	4,878	3,962	3,508	3,010	2,445	2,070	1,974	1,880	1,827	1,738	1,679	1,603	1,557	1,474			
2-7/16	10,000	14,058	11,419	10,111	8,674	7,046	5,967	5,689	5,418	5,266	5,008	4,838	4,621	4,487				
	30,000	10,111	8,213	7,272	6,239	5,068	4,292	4,092	3,897	3,787	3,602	3,480	3,324	3,227				
	40,000	9,275	7,534	6,671	5,723	4,649	3,937	3,753	3,575	3,474	3,304	3,192	3,049	2,960				
	60,000	8,213	6,671	5,907	5,068	4,116	3,486	3,324	3,165	3,076	2,926	2,827	2,700	2,621				
	100,000	7,046	5,723	5,068	4,348	3,531	2,991	2,851	2,716	2,639	2,510	2,425	2,316	2,249				
2-11/16 to 3	10,000	14,959	12,151	10,759	9,230	7,497	6,350	6,054	5,766	3,697	5,329	5,149	4,917					
	30,000	10,759	8,739	7,738	6,639	5,392	4,567	4,354	4,147	3,697	3,833	3,703	3,537					
	40,000	9,870	8,017	7,098	6,090	4,946	4,189	3,994	3,804	3,697	3,516	3,397	3,244					
	60,000	8,739	7,098	6,285	5,392	4,380	3,709	3,537	3,368	3,273	3,113	3,008	2,873					
	100,000	7,497	6,090	5,392	4,626	3,758	3,182	3,034	2,890	2,808	2,671	2,580	2,464					
3-7/16	10,000	23,611	19,178	16,981	14,569	11,833	10,022	9,555	6,004	8,844	8,411							
	30,000	16,981	13,793	12,213	10,478	8,511	7,208	6,872	6,004	6,360	6,050							
	40,000	15,577	12,653	11,203	9,612	7,807	6,612	6,304	6,004	5,835	5,549							
	60,000	13,793	11,203	9,920	8,511	6,913	5,855	5,582	5,316	5,166	4,914							
	100,000	11,833	9,612	8,511	7,302	5,931	5,023	4,789	4,561	4,432	4,216							

Only the labyrinth seal (L seal) may be used to the right of the heavy line.

In the light shaded area, a line-to-line to light press fit on the shaft is required.

For applications in the dark shaded area, the maximum load for the specific speed is shown. The load does not correspond to the 10 shown at the left.

FEATURES/BENEFITS PAGE B8-3	HOW TO ORDER PAGE B8-6	DIMENSION PAGE B8-18	INTERCHANGE CHARTS PAGE B8-46
--------------------------------	---------------------------	-------------------------	----------------------------------

# SELECTION



## S-2000

Table 2: Easy Selection Table for S-2000 Double Row Spherical Roller Bearings (continued)

Shaft Size Inches	L10 Life Hours	Allowable Equivalent Radial Load Rating (lbs.) at Various Revolutions per Minute																
		50	100	150	250	500	870	1,020	1,200	1,320	1,560	1,750	2,040	2,250	2,700	3180	3360	3600
3-15/16	10,000	29,919	24,302	21,518	18,461	14,995	12,699	7,988	11,531	11,206								
	30,000	21,518	17,478	15,476	13,278	10,785	9,134	7,988	8,294	8,060								
	40,000	19,739	16,033	14,197	12,180	9,893	8,378	7,988	7,608	7,393								
	60,000	17,478	14,197	12,571	10,785	8,760	7,419	7,073	6,737	6,547								
	100,000	14,995	12,180	10,785	9,252	7,515	6,365	6,068	5,779	5,616								
4-7/16	10,000	37,489	30,450	26,963	23,132	18,789	10,498	15,171	14,449									
	30,000	26,963	21,901	19,392	16,637	13,513	10,498	10,911	10,392									
	40,000	24,733	20,090	17,789	15,261	12,396	10,498	10,009	9,533									
	60,000	21,901	17,789	15,751	13,513	10,976	9,296	8,863	8,441									
	100,000	18,789	15,261	13,513	11,593	9,417	7,975	7,603	7,242									
4-15/16	10,000	52,628	42,747	37,851	32,473	26,377	14,738	21,298										
	30,000	37,851	30,745	27,224	23,356	18,971	14,738	15,318										
	40,000	34,722	28,203	24,973	21,424	17,402	14,738	14,051										
	60,000	30,745	24,973	22,112	18,971	15,409	13,050	12,442										
	100,000	26,377	21,424	18,971	16,275	13,220	11,196	10,674										

Only the labyrinth seal (L seal) may be used to the right of the heavy line.

In the light shaded area, a line-to-line to light press fit on the shaft is required.

For applications in the dark shaded area, the maximum load for the specific speed is shown. The load does not correspond to the L10 shown at the left.

D-LOK

Type E Family

Specialty Tapered

S-2000

UNISPHERE II

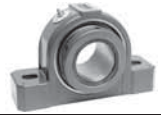
FEATURES/BENEFITS PAGE B8-3	HOW TO ORDER PAGE B8-6	DIMENSION PAGE B8-18	INTERCHANGE CHARTS PAGE B8-46
--------------------------------	---------------------------	-------------------------	----------------------------------



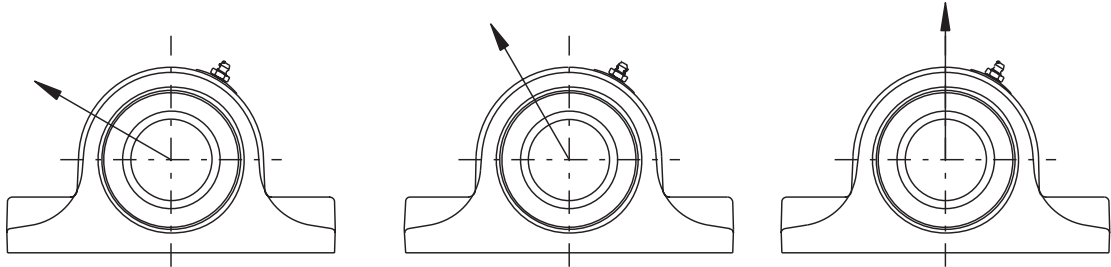
**Table 3: Definition Of Operating Conditions For Unitized Spherical Roller Bearings**

LOW SPEED	UP TO 20% OF MAX. RPM (TABLE 1)
MEDIUM SPEED	OVER 20% TO 80% OF MAX. RPM
HIGH SPEED	OVER 80% OF MAX. RPM
LIGHT LOAD	UP TO 8% OF C (TABLE 1)
NORMAL LOAD	OVER 8% TO 18% OF <b>C</b>
HEAVY LOAD	OVER 18% OF <b>C</b> <b>C</b> = DYNAMIC CAPACITY
LOW TEMPERATURE	-20 to -100°F
MEDIUM TEMPERATURE	OVER 20°F TO 200°F
HIGH TEMPERATURE	OVER 200°F TO 250°F

FEATURES/BENEFITS PAGE B8-3	HOW TO ORDER PAGE B8-6	DIMENSION PAGE B8-18	INTERCHANGE CHARTS PAGE B8-46
--------------------------------	---------------------------	-------------------------	----------------------------------



## S-2000



**Table 4: S-2000 Housing Rating, 2-Bolt, Cast Iron\***

Bore Size	Maximum Recommended Housing Cap Loads, lb		
	120°	150°	180°
1-3/8 to 1-1/2	2110	2640	3100
1-5/8 to 1-3/4	2380	2980	3500
1-15/16 to 2	3130	3910	4600
2-3/16	3330	4160	4900
2-7/16	3330	4160	4900
2-11/16 to 3	4420	5520	6500
3-3/16 to 3-7/16	4620	5780	6800
3-15/16	7500	9350	11000

\* When utilizing heavy cap loads on pillow block housings, the installation must adhere to the following procedures:

1. The pillow block base bolts must be of high strength (Grade 8) bolts and properly tightened to mounting structure.
2. Stop bars (shear strips) should be used against the plummer block where side loads are encountered.
3. In all cases where loads are heavy, the  $L_{10}$  life of the bearing should be checked for proper selection and life requirements.

FEATURES/BENEFITS PAGE B8-3	HOW TO ORDER PAGE B8-6	DIMENSION PAGE B8-18	INTERCHANGE CHARTS PAGE B8-46
--------------------------------	---------------------------	-------------------------	----------------------------------



## S-2000

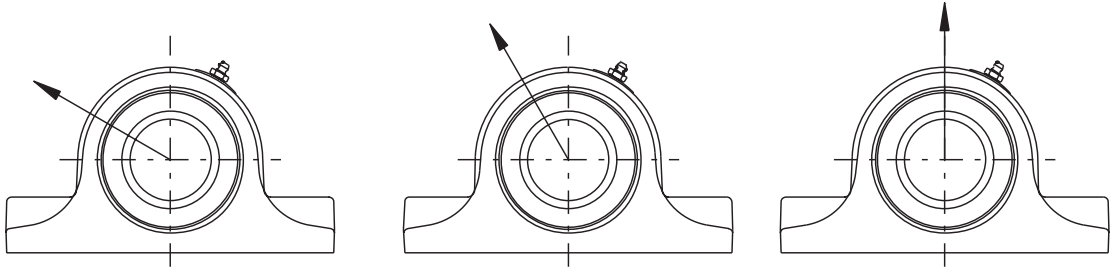
D-LOK

Type E Family

Speciality Tapered

S-2000

UNISPHERE II



**Table 5: S-2000 Housing Rating, 4-Bolt, Cast Iron\***

Bore Size	Maximum Recommended Housing Cap Loads, lb		
	120°	150°	180°
1-15/16 - 2	3200	4000	4700
2-3/16	3300	4100	4800
2-7/16	3810	4760	5600
2-11/16 to 3	4620	5780	6800
3-7/16	4700	5870	6900
3-15/16	7500	9350	11000
4-7/16	9900	12330	14500
4-15/16	13400	16750	19700

\* When utilizing heavy cap loads on pillow block housings, the installation must adhere to the following procedures:

1. The pillow block base bolts must be of high strength (Grade 8) bolts and properly tightened to mounting structure.
2. Stop bars (shear strips) should be used against the plummer block where side loads are encountered.
3. In all cases where loads are heavy, the  $L_{10}$  life of the bearing should be checked for proper selection and life requirements.

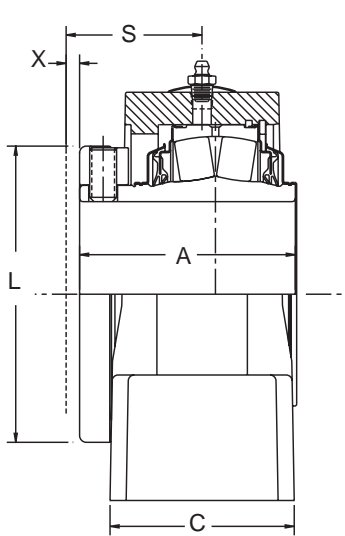
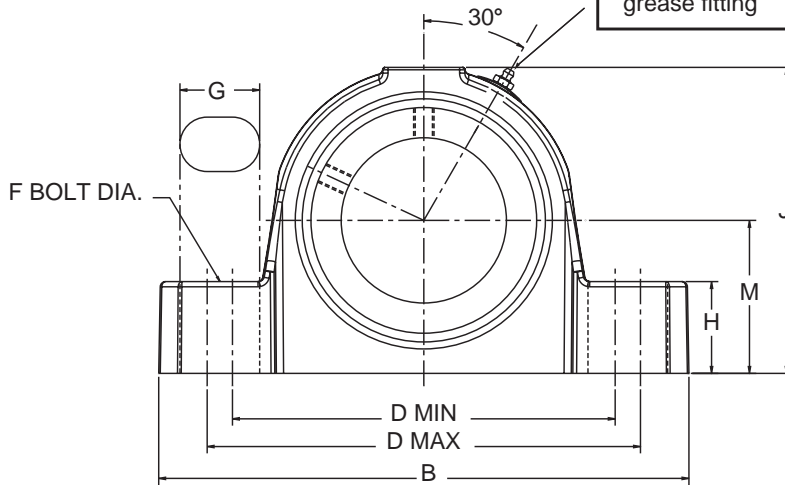
FEATURES/BENEFITS PAGE B8-3	HOW TO ORDER PAGE B8-6	DIMENSION PAGE B8-18	INTERCHANGE CHARTS PAGE B8-46
--------------------------------	---------------------------	-------------------------	----------------------------------

# DIMENSIONS

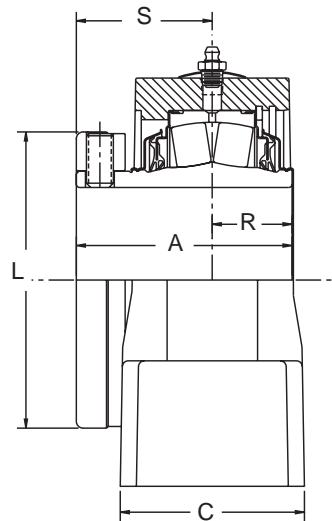


## S-2000 Pillow Block 2-BOLT BASE - INCH

**NOTE:** All sizes use a 1/8-27 NPT hydraulic grease fitting



EXPANSION



NON-EXPANSION

FEATURES/BENEFITS  
PAGE B8-3

HOW TO ORDER  
PAGE B8-6

SELECTION  
PAGE B8-9

INTERCHANGE CHARTS  
PAGE B8-46

# DIMENSIONS



## S-2000 Pillow Block 2-BOLT BASE - INCH

Bearing	Shaft Size Inch	TRIDENT Seal				Labyrinth Seal			
		Non-Expansion		Expansion		Non-Expansion		Expansion	
		Part No.	Part Name	Part No.	Part Name	Part No.	Part Name	Part No.	Part Name
22208	1-3/8	<b>070272</b>	P2B-S2-106R	<b>070295</b>	P2B-S2-106RE	<b>070318</b>	P2B-S2-106L	<b>070341</b>	P2B-S2-106LE
	1-7/16	<b>070273</b>	P2B-S2-107R	<b>070296</b>	P2B-S2-107RE	<b>070319</b>	P2B-S2-107L	<b>070342</b>	P2B-S2-107LE
	1-1/2	<b>070274</b>	P2B-S2-108R	<b>070297</b>	P2B-S2-108RE	<b>070320</b>	P2B-S2-108L	<b>070343</b>	P2B-S2-108LE
22209	1-11/16	<b>070276</b>	P2B-S2-111R	<b>070299</b>	P2B-S2-111RE	<b>070322</b>	P2B-S2-111L	<b>070345</b>	P2B-S2-111LE
	1-3/4	<b>070277</b>	P2B-S2-112R	<b>070300</b>	P2B-S2-112RE	<b>070323</b>	P2B-S2-112L	<b>070346</b>	P2B-S2-112LE
22210	1-15/16	<b>070278</b>	P2B-S2-115R	<b>070301</b>	P2B-S2-115RE	<b>070324</b>	P2B-S2-115L	<b>070347</b>	P2B-S2-115LE
	2	<b>070279</b>	P2B-S2-200R	<b>070302</b>	P2B-S2-200RE	<b>070325</b>	P2B-S2-200L	<b>070348</b>	P2B-S2-200LE
22211	2-3/16	<b>070280</b>	P2B-S2-203R	<b>070303</b>	P2B-S2-203RE	<b>070326</b>	P2B-S2-203L	<b>070349</b>	P2B-S2-203LE
22213	2-7/16	<b>070282</b>	P2B-S2-207R	<b>070305</b>	P2B-S2-207RE	<b>070328</b>	P2B-S2-207L	<b>070351</b>	P2B-S2-207LE
22215	2-11/16	<b>070284</b>	P2B-S2-211R	<b>070307</b>	P2B-S2-211RE	<b>070330</b>	P2B-S2-211L	<b>070353</b>	P2B-S2-211LE
	2-15/16	<b>070285</b>	P2B-S2-215R	<b>070308</b>	P2B-S2-215RE	<b>070331</b>	P2B-S2-215L	<b>070354</b>	P2B-S2-215LE
	3	<b>070286</b>	P2B-S2-300R	<b>070309</b>	P2B-S2-300RE	<b>070332</b>	P2B-S2-300L	<b>070355</b>	P2B-S2-300LE
22218	3-7/16	<b>070288</b>	P2B-S2-307R	<b>070311</b>	P2B-S2-307RE	<b>070334</b>	P2B-S2-307L	<b>070357</b>	P2B-S2-307LE
22220	3-15/16	<b>070290</b>	P2B-S2-315R	<b>070313</b>	P2B-S2-315RE	<b>070336</b>	P2B-S2-315L	<b>070359</b>	P2B-S2-315LE

SHAFT SIZE	A	B	C	D		F BOLT DIA.	G	H	J	L	M	R	S	X TOTAL EXP.
				MIN	MAX									
1-3/8 1-7/16 1-1/2	2-17/32	6-7/8	1-61/64	4-13/16	5-13/64	1/2	13/16	1-1/8	3-7/8	2-3/4	1-7/8	7/8	1-21/32	3/16
1-11/16 1-3/4	2-43/64	7-3/8	2-1/16	5-5/16	5-45/64	1/2	13/16	1-1/4	4-17/64	3-3/16	2-1/8	13/16	1-55/64	1/4
1-15/16 2	2-27/32	8-3/8	2-1/2	6-1/16	6-7/16	5/8	61/64	1-5/16	4-9/16	3-7/16	2-1/4	55/64	1-63/64	1/4
2-3/16 2-7/16	2-15/16 3-13/64	8-7/8 9-1/4	2-5/8 2-55/64	6-9/16 6-15/16	6-15/16 7-5/16	5/8 5/8	61/64 61/64	1-1/2 1-5/8	5 5-19/32	3-3/4 4-1/16	2-1/2 2-3/4	29/32 1-1/8	2-1/32 2-5/64	1/4 1/4
2-11/16 2-15/16 3	3-19/32	10-7/16	3-5/64	7-15/16	8-5/16	3/4	1-1/16	1-7/8	6-3/8	4-45/64	3-1/4	1-9/64	2-29/64	1/4
3-7/16 3-15/16	4-1/64 4-15/32	13 15-1/4	3-27/64 3-29/32	9-3/8 10-5/8	10-5/8 12-7/8	7/8 1	1-5/8 2-1/4	2-1/4 2-7/16	7-1/2 8-3/8	5-1/2 6	3-3/4 4-1/4	1-13/32 1-9/16	2-39/64 2-29/32	1/4 5/16

FEATURES/BENEFITS PAGE B8-3	HOW TO ORDER PAGE B8-6	SELECTION PAGE B8-9	INTERCHANGE CHARTS PAGE B8-46
--------------------------------	---------------------------	------------------------	----------------------------------



# DIMENSIONS



## S-2000 Pillow Block with Type E Dimensions 2-BOLT

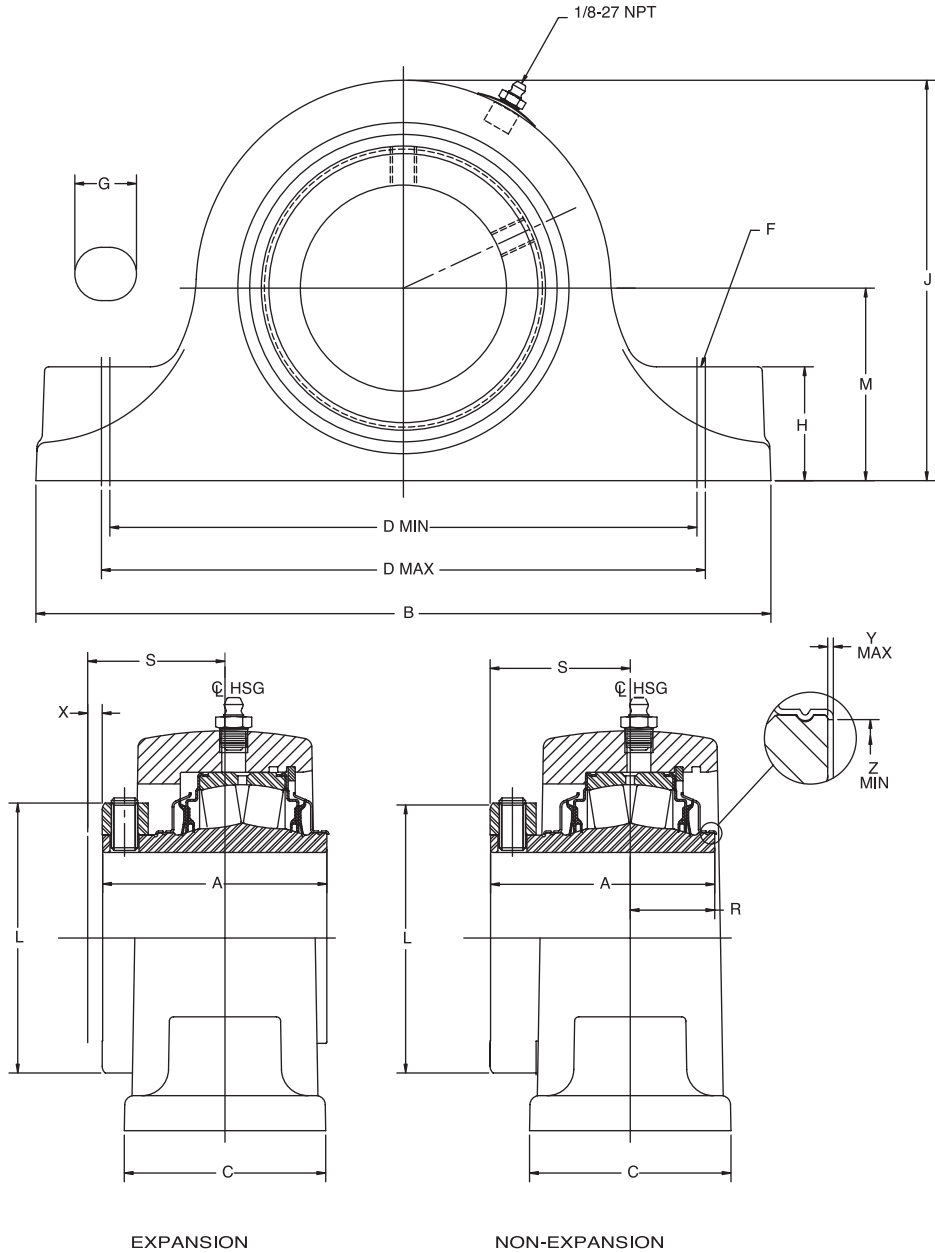
D-LOK

Type E Family

Specialty Tapered

S-2000

UNISPHERE II



<p>FEATURES/BENEFITS PAGE B8-3</p>	<p>HOW TO ORDER PAGE B8-6</p>	<p>SELECTION PAGE B8-9</p>	<p>INTERCHANGE CHARTS PAGE B8-46</p>
--	-----------------------------------	--------------------------------	--



# DIMENSIONS



## S-2000 Pillow Block with Type E Dimensions 2-BOLT

Bearing Series	Shaft Size*	TRIDENT Seal				Labyrinth Seal			
		Non Expansion		Expansion		Non Expansion		Expansion	
		Part No.	Part Name	Part No.	Part Name	Part No.	Part Name	Part No.	Part Name
22208	1-3/8	<b>071389</b>	EP2B-S2-106R	<b>071400</b>	EP2B-S2-106RE	<b>071411</b>	EP2B-S2-106L	<b>071422</b>	EP2B-S2-106LE
	1-7/16	<b>071390</b>	EP2B-S2-107R	<b>071401</b>	EP2B-S2-107RE	<b>071412</b>	EP2B-S2-107L	<b>071423</b>	EP2B-S2-107LE
22209	1-11/16	<b>071391</b>	EP2B-S2-111R	<b>071402</b>	EP2B-S2-111RE	<b>071413</b>	EP2B-S2-111L	<b>071424</b>	EP2B-S2-111LE
22210	1-15/16	<b>071392</b>	EP2B-S2-115R	<b>071403</b>	EP2B-S2-115RE	<b>071414</b>	EP2B-S2-115L	<b>071425</b>	EP2B-S2-115LE
	2	<b>071393</b>	EP2B-S2-200R	<b>071404</b>	EP2B-S2-200RE	<b>071415</b>	EP2B-S2-200L	<b>071426</b>	EP2B-S2-200LE
22211	2-3/16	<b>071394</b>	EP2B-S2-203R	<b>071405</b>	EP2B-S2-203RE	<b>071416</b>	EP2B-S2-203L	<b>071427</b>	EP2B-S2-203LE
22213	2-7/16	<b>071395</b>	EP2B-S2-207R	<b>071406</b>	EP2B-S2-207RE	<b>071417</b>	EP2B-S2-207L	<b>071428</b>	EP2B-S2-207LE
22215	2-11/16	<b>071396</b>	EP2B-S2-211R	<b>071407</b>	EP2B-S2-211RE	<b>071418</b>	EP2B-S2-211L	<b>071429</b>	EP2B-S2-211LE
	2-15/16	<b>071397</b>	EP2B-S2-215R	<b>071408</b>	EP2B-S2-215RE	<b>071419</b>	EP2B-S2-215L	<b>071430</b>	EP2B-S2-215LE
	3	<b>071398</b>	EP2B-S2-300R	<b>071409</b>	EP2B-S2-300RE	<b>071420</b>	EP2B-S2-300L	<b>071431</b>	EP2B-S2-300LE
22218	3-7/16	<b>071399</b>	EP2B-S2-307R	<b>071410</b>	EP2B-S2-307RE	<b>071421</b>	EP2B-S2-307L	<b>071432</b>	EP2B-S2-307LE

\*CONSULT DODGE FOR SIZES NOT LISTED

SHAFT SIZE	A	B#	C#	D		F BOLT DIA.	G#	H#	J#	L	M	R	S	X TOTAL EXP.	Y	Z	SET SCREW SIZE	S/S TORQUE IN/LBS
				MIN	MAX													
1-3/8 1-7/16	2.53	7.37	2.12	5.63	5.88	1/2	0.75	1.13	3.85	2.55	1.875	1.03	1.50	0.16	0.020	1.80	5/16-18	165
1-11/16	2.67	7.88	2.38	6.13	6.38	1/2	0.75	1.25	4.25	3.01	2.125	0.98	1.69	0.19	0.020	2.08	5/16-18	165
1-15/16 2	2.84	8.87	2.49	6.88	7.12	5/8	0.88	1.31	4.47	3.44	2.250	1.08	1.76	0.22	0.020	2.30	3/8-16	290
2-3/16	2.94	9.62	2.56	7.63	7.88	5/8	0.88	1.50	5.00	3.50	2.500	1.06	1.88	0.25	0.025	2.60	3/8-16	290
2-7/16	3.20	10.50	2.87	8.38	8.62	5/8	0.88	1.63	5.71	4.06	2.750	1.20	2.00	0.25	0.025	2.95	3/8-16	290
2-11/16 2-15/16 3	3.59	12.00	2.99	9.31	9.69	3/4	1.07	1.88	6.32	4.61	3.125	1.34	2.25	0.25	0.025	3.47	1/2-13	620
3-7/16	4.01	14.00	3.49	10.81	11.19	7/8	1.19	2.25	7.69	5.50	3.750	1.51	2.50	0.25	0.025	4.05	1/2-13	620

NOTES: "A" AND "R" DIMENSIONS DO NOT INCLUDE "Y" DIMENSION

# REFERENCE DIMENSION ONLY

FEATURES/BENEFITS PAGE B8-3	HOW TO ORDER PAGE B8-6	SELECTION PAGE B8-9	INTERCHANGE CHARTS PAGE B8-46
--------------------------------	---------------------------	------------------------	----------------------------------

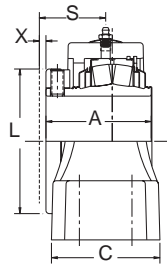
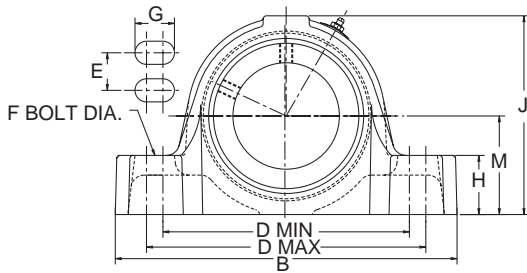


# DIMENSIONS



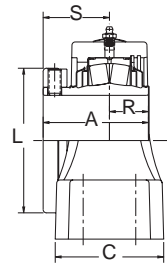
## S-2000 Pillow Block 4-BOLT BASE

**NOTE:** All sizes use a 1/8-27  
NPT hydraulic  
grease fitting



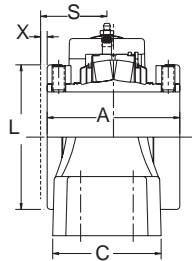
1-15/16 TRU 3-15/16"  
CONSTRUCTION

EXPANSION



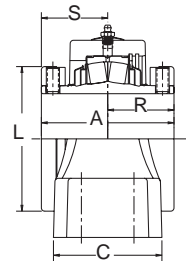
1-15/16 TRU 3-15/16"  
CONSTRUCTION

NON-EXPANSION



4-7/16 THRU 4-15/16"  
CONSTRUCTION

EXPANSION



4-7/16 THRU 4-15/16"  
CONSTRUCTION

NON-EXPANSION

D-LOK

Type E Family

Specialty Tapered

S-2000

UNISPHERE II

FEATURES/BENEFITS  
PAGE B8-3

HOW TO ORDER  
PAGE B8-6

SELECTION  
PAGE B8-9

INTERCHANGE CHARTS  
PAGE B8-46

# DIMENSIONS



## S-2000 Pillow Block 4-BOLT BASE

Bearing	Shaft Size Inch	TRIDENT Seal				Labyrinth Seal			
		Non-Expansion		Expansion		Non-Expansion		Expansion	
		Part No.	Part Name	Part No.	Part Name	Part No.	Part Name	Part No.	Part Name
22210	1-15/16 2	<b>070361</b>	P4B-S2-115R	<b>070379</b>	P4B-S2-115RE	<b>070397</b>	P4B-S2-115L	<b>070415</b>	P4B-S2-115LE
		<b>070362</b>	P4B-S2-200R	<b>070380</b>	P4B-S2-200RE	<b>070398</b>	P4B-S2-200L	<b>070416</b>	P4B-S2-200LE
22211	2-3/16	<b>070363</b>	P4B-S2-203R	<b>070381</b>	P4B-S2-203RE	<b>070399</b>	P4B-S2-203L	<b>070417</b>	P4B-S2-203LE
22213	2-7/16	<b>070365</b>	P4B-S2-207R	<b>070383</b>	P4B-S2-207RE	<b>070401</b>	P4B-S2-207L	<b>070419</b>	P4B-S2-207LE
22215	2-11/16	<b>070367</b>	P4B-S2-211R	<b>070385</b>	P4B-S2-211RE	<b>070403</b>	P4B-S2-211L	<b>070421</b>	P4B-S2-211LE
	2-15/16	<b>070368</b>	P4B-S2-215R	<b>070386</b>	P4B-S2-215RE	<b>070404</b>	P4B-S2-215L	<b>070422</b>	P4B-S2-215LE
	3	<b>070369</b>	P4B-S2-300R	<b>070387</b>	P4B-S2-300RE	<b>070405</b>	P4B-S2-300L	<b>070423</b>	P4B-S2-300LE
22218	3-7/16	<b>070371</b>	P4B-S2-307R	<b>070389</b>	P4B-S2-307RE	<b>070407</b>	P4B-S2-307L	<b>070425</b>	P4B-S2-307LE
22220	3-15/16	<b>070373</b>	P4B-S2-315R	<b>070391</b>	P4B-S2-315RE	<b>070409</b>	P4B-S2-315L	<b>070427</b>	P4B-S2-315LE
22222	4-7/16	<b>070375</b>	P4B-S2-407R	<b>070393</b>	P4B-S2-407RE	<b>070411</b>	P4B-S2-407L	<b>070429</b>	P4B-S2-407LE
22226	4-15/16	<b>070377</b>	P4B-S2-415R	<b>070395</b>	P4B-S2-415RE	<b>070413</b>	P4B-S2-415L	<b>070431</b>	P4B-S2-415LE

SHAFT SIZE	A	B	C	D		E	F BOLT DIA.	G	H	J	L	M	R	S	X TOTAL EXP.
				MIN	MAX										
1-15/16 2	2-27/32	8	3-3/16	6-1/16	6-7/16	1-19/32	1/2	13/16	1-5/16	4-9/16	3-7/16	2-1/4	27/32	2	1/4
2-3/16	2-15/16	8-7/8	3-1/4	6-9/16	6-15/16	1-11/16	1/2	13/16	1-1/2	5	3-3/4	2-1/2	29/32	2-1/32	1/4
2-7/16	3-13/64	9-1/4	3-3/8	6-15/16	7-5/16	1-3/4	1/2	13/16	1-5/8	5-19/32	4-1/16	2-3/4	1-5/64	2-1/8	1/4
2-11/16															
2-15/16 3	3-19/32	10-7/16	3-3/4	7-15/16	8-5/16	1-7/8	5/8	15/16	1-7/8	6-7/16	4-45/64	3-1/4	1-3/32	2-1/2	1/4
3-7/16	4-1/64	13	4-1/8	9-3/8	10-5/8	2	3/4	1-1/2	2-1/4	7-9/16	5-1/2	3-3/4	1-7/16	2-37/64	1/4
3-15/16	4-15/32	15-1/4	4-1/2	12-1/8	12-7/8	2-1/4	3/4	1-1/4	2-7/16	8-7/16	6	4-1/4	1-41/64	2-53/64	5/16
4-7/16	6-17/32	16-1/2	4-3/4	13	14	2-1/2	3/4	1-3/8	2-3/4	9-5/8	6-29/64	4-3/4	3-5/64	3-29/64	3/8
4-15/16	6-29/32	18-5/8	5-3/8	15	16	2-3/4	7/8	1-1/2	3	11-1/8	7-29/64	5-1/2	3-17/64	3-41/64	3/8

FEATURES/BENEFITS PAGE B8-3	HOW TO ORDER PAGE B8-6	SELECTION PAGE B8-9	INTERCHANGE CHARTS PAGE B8-46
--------------------------------	---------------------------	------------------------	----------------------------------



# DIMENSIONS



## S-2000 Pillow Block with Type E Dimensions 4-BOLT

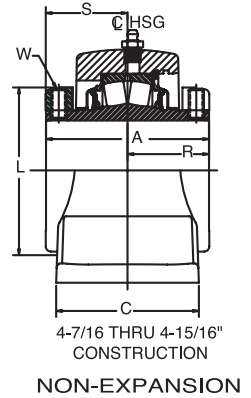
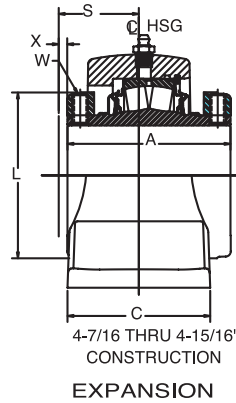
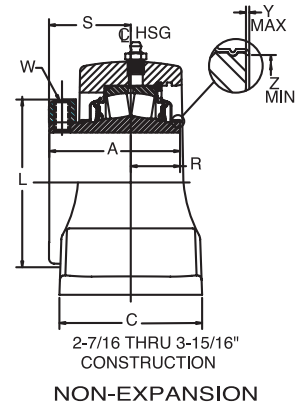
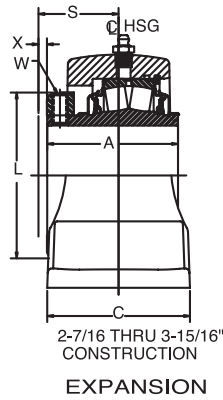
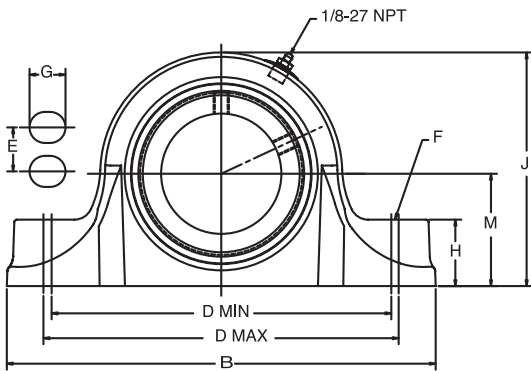
D-LOK

Type E Family

Specialty Tapered

S-2000

UNISPHERE II



FEATURES/BENEFITS PAGE B8-3	HOW TO ORDER PAGE B8-6	SELECTION PAGE B8-9	INTERCHANGE CHARTS PAGE B8-46
--------------------------------	---------------------------	------------------------	----------------------------------

# DIMENSIONS



## S-2000 Pillow Block with Type E Dimensions 4-BOLT

Bearing Series	Shaft Size*	TRIDENT Seal				Labyrinth Seal			
		Non Expansion		Expansion		Non Expansion		Expansion	
		Part No.	Part Name	Part No.	Part Name	Part No.	Part Name	Part No.	Part Name
22213	2-7/16	<b>071433</b>	EP4B-S2-207R	<b>071441</b>	EP4B-S2-207RE	<b>071449</b>	EP4B-S2-207L	<b>071457</b>	EP4B-S2-207LE
22215	2-11/16	<b>071434</b>	EP4B-S2-211R	<b>071442</b>	EP4B-S2-211RE	<b>071450</b>	EP4B-S2-211L	<b>071458</b>	EP4B-S2-211LE
	2-15/16	<b>071435</b>	EP4B-S2-215R	<b>071443</b>	EP4B-S2-215RE	<b>071451</b>	EP4B-S2-215L	<b>071459</b>	EP4B-S2-215LE
	3	<b>071436</b>	EP4B-S2-300R	<b>071444</b>	EP4B-S2-300RE	<b>071452</b>	EP4B-S2-300L	<b>071460</b>	EP4B-S2-300LE
22218	3-7/16	<b>071437</b>	EP4B-S2-307R	<b>071445</b>	EP4B-S2-307RE	<b>071453</b>	EP4B-S2-307L	<b>071461</b>	EP4B-S2-307LE
22220	3-15/16	<b>071438</b>	EP4B-S2-315R	<b>071446</b>	EP4B-S2-315RE	<b>071454</b>	EP4B-S2-315L	<b>071462</b>	EP4B-S2-315LE
22222	4-7/16	<b>071439</b>	EP4B-S2-407R	<b>071447</b>	EP4B-S2-407RE	<b>071455</b>	EP4B-S2-407L	<b>071463</b>	EP4B-S2-407LE
22226	4-15/16	<b>071440</b>	EP4B-S2-415R	<b>071448</b>	EP4B-S2-415RE	<b>071456</b>	EP4B-S2-415L	<b>071464</b>	EP4B-S2-415LE

\*CONSULT DODGE FOR SIZES NOT LISTED

SHAFT SIZE	A	B#	C#	D		E	F BOLT DIA.	G #	H #	J #	L	M	R	S	X		Z	SET SCREW SIZE	S/S TORQUE IN/LBS
				MIN	MAX										TOTAL EXP.	Y			
2-7/16	3.20	10.50	3.49	8.31	8.69	1.87	5/8	0.87	1.63	5.72	4.06	2.750	1.20	2.00	0.25	0.025	2.94	3/8	290
2-11/16	3.59	12.00	4.00	9.18	9.82	2.13	5/8	1.00	1.88	6.33	4.61	3.125	1.34	2.25	0.25	0.025	3.47	1/2	620
2-15/16 3																			
3-7/16	4.01	13.50	4.49	10.75	11.25	2.37	3/4	1.13	2.25	7.69	5.50	3.750	1.51	2.50	0.25	0.025	4.05	1/2	620
3-15/16	4.47	15.25	4.50	12.25	12.75	2.25	3/4	1.13	2.44	8.70	6.00	4.250	1.34	3.13	0.31	0.025	4.50	5/8	1325
4-7/16	6.53	16.63	4.63	13.25	13.75	2.50	3/4	1.13	2.75	9.67	6.45	4.750	3.08	3.38	0.38	N/A	N/A	5/8	1325
4-15/16	6.91	18.50	5.13	15.25	15.75	2.87	7/8	1.25	3.00	11.16	7.45	5.500	3.29	3.62	0.38	N/A	N/A	5/8	1325

NOTES: "A" AND "R" DIMENSIONS DO NOT INCLUDE "Y" DIMENSION

# REFERENCE DIMENSION ONLY

FEATURES/BENEFITS PAGE B8-3	HOW TO ORDER PAGE B8-6	SELECTION PAGE B8-9	INTERCHANGE CHARTS PAGE B8-46
--------------------------------	---------------------------	------------------------	----------------------------------

# DIMENSIONS



## S-2000 Flange Bearing - Round

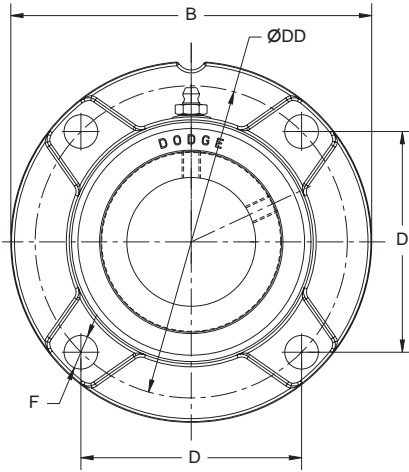
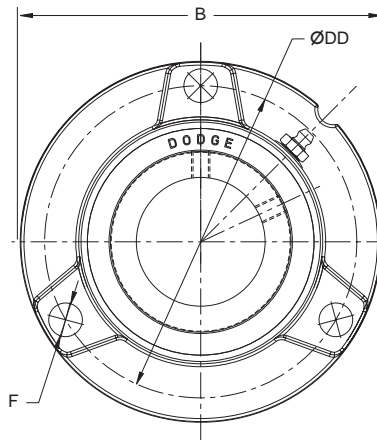
D-LOK

Type E Family

Specialty Tapered

S-2000

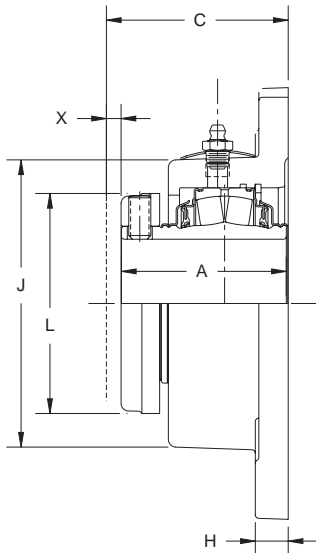
UNISPHERE II



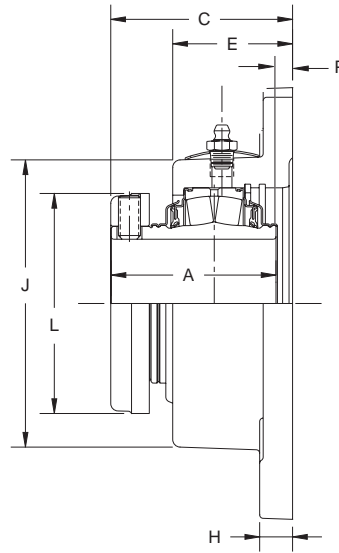
**NOTE:** All sizes use a 1/8-27 NPT hydraulic grease fitting

1-3/8" THRU 1-1/2"  
CONSTRUCTION

1-11/16" - 3"  
CONSTRUCTION



EXPANSION



NON-EXPANSION

FEATURES/BENEFITS  
PAGE B8-3

HOW TO ORDER  
PAGE B8-6

SELECTION  
PAGE B8-9

INTERCHANGE CHARTS  
PAGE B8-46

# DIMENSIONS



## S-2000 Flange Bearing - Round

Bearing	Shaft Size Inch	TRIDENT Seal				Labyrinth Seal			
		Non-Expansion		Expansion		Non-Expansion		Expansion	
		Part No.	Part Name	Part No.	Part Name	Part No.	Part Name	Part No.	Part Name
22208	1 - 3/8	<b>070436</b>	F3R-S2-106R	<b>070470</b>	F3R-S2-106RE	<b>070491</b>	F3R-S2-106L	<b>070523</b>	F3R-S2-106LE
	1 - 7/16	<b>070437</b>	F3R-S2-107R	<b>070471</b>	F3R-S2-107RE	<b>070492</b>	F3R-S2-107L	<b>070524</b>	F3R-S2-107LE
	1 - 1/2	<b>070438</b>	F3R-S2-108R	<b>070472</b>	F3R-S2-108RE	<b>070493</b>	F3R-S2-108L	<b>070525</b>	F3R-S2-108LE
22209	1 - 11/16	<b>070440</b>	F4R-S2-111R	<b>070474</b>	F4R-S2-111RE	<b>070495</b>	F4R-S2-111L	<b>070527</b>	F4R-S2-111LE
	1 - 3/4	<b>070441</b>	F4R-S2-112R	<b>070475</b>	F4R-S2-112RE	<b>070496</b>	F4R-S2-112L	<b>070528</b>	F4R-S2-112LE
22210	1 - 15/16	<b>070442</b>	F4R-S2-115R	<b>070476</b>	F4R-S2-115RE	<b>070497</b>	F4R-S2-115L	<b>070529</b>	F4R-S2-115LE
	2	<b>070443</b>	F4R-S2-200R	<b>070477</b>	F4R-S2-200RE	<b>070498</b>	F4R-S2-200L	<b>070530</b>	F4R-S2-200LE
22211	2 - 3/16	<b>070444</b>	F4R-S2-203R	<b>070478</b>	F4R-S2-203RE	<b>070499</b>	F4R-S2-203L	<b>070531</b>	F4R-S2-203LE
22213	2-7/16	<b>070446</b>	F4R-S2-207R	<b>070480</b>	F4R-S2-207RE	<b>070501</b>	F4R-S2-207L	<b>070533</b>	F4R-S2-207LE
22215	2-11/16	<b>070448</b>	F4R-S2-211R	<b>070482</b>	F4R-S2-211RE	<b>070503</b>	F4R-S2-211L	<b>070535</b>	F4R-S2-211LE
	2-15/16	<b>070449</b>	F4R-S2-215R	<b>070483</b>	F4R-S2-215RE	<b>070504</b>	F4R-S2-215L	<b>070536</b>	F4R-S2-215LE
	3	<b>070450</b>	F4R-S2-300R	<b>070484</b>	F4R-S2-300RE	<b>070505</b>	F4R-S2-300L	<b>070537</b>	F4R-S2-300LE

SHAFT SIZE	A	B	C	D	DD	E	F BOLT DIA.	H	J	L	P	X TOTAL EXP.
1 - 3/8												
1 - 7/16	2 - 17/32	5 - 7/8	2 - 49/64	3 - 17/32	5	1 - 51/64	1/2*	1/2	3 - 27/32	2 - 3/4	15/64	3/16
1 - 1/2												
1 - 11/16	2-43/64	6-3/8	2-31/32	3-57/64	5-1/2	1-57/64	1/2**	1/2	4-11/32	3-3/16	19/64	1/4
1 - 3/4												
1 - 15/16	2 - 27/32	6 - 11/16	3 - 9/64	4 - 1/16	5 - 3/4	1 - 59/64	1/2**	9/16	4 - 19/32	3 - 7/16	19/64	1/4
2												
2 - 3/16	2 - 15/16	7 - 3/8	3 - 15/64	4 - 1/2	6 - 3/8	2 - 3/64	5/8**	9/16	4 - 63/64	3 - 3/4	19/64	1/4
2-7/16	3-13/64	7-3/4	3-1/2	4-49/64	6-3/4	2-3/8	5/8**	49/64	5-1/2	4-1/16	19/64	1/4
2-11/16												
2-15/16	3-19/32	9-1/4	3-57/64	5-9/16	7-7/8	2-25/64	3/4**	7/8	6-23/64	4-45/64	19/64	1/4
3												

\* 3 Equally spaced bolt holes

\*\* 4 Equally spaced bolt holes

FEATURES/BENEFITS PAGE B8-3	HOW TO ORDER PAGE B8-6	SELECTION PAGE B8-9	INTERCHANGE CHARTS PAGE B8-46
--------------------------------	---------------------------	------------------------	----------------------------------



# DIMENSIONS



## S-2000 Flange Bearing - Square

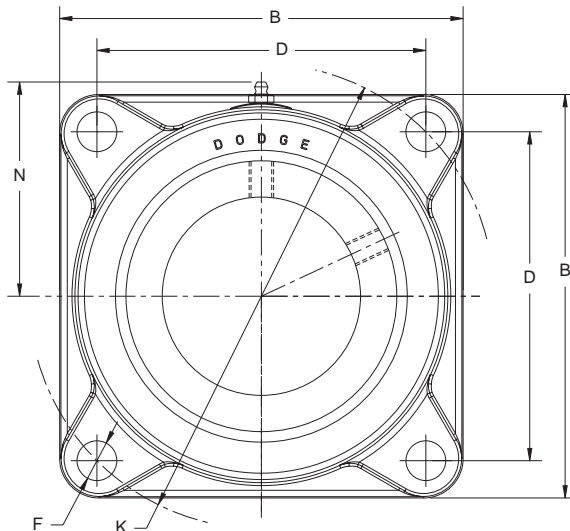
D-LOK

Type E Family

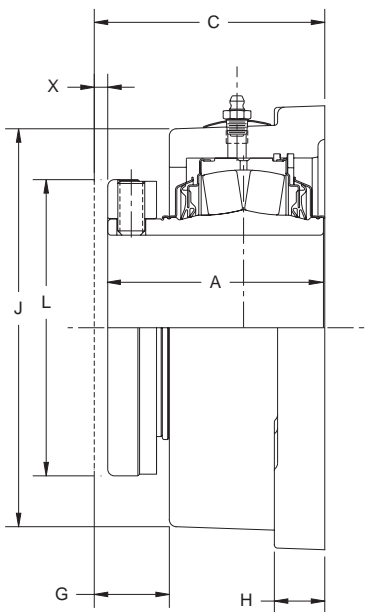
Specialty Tapered

S-2000

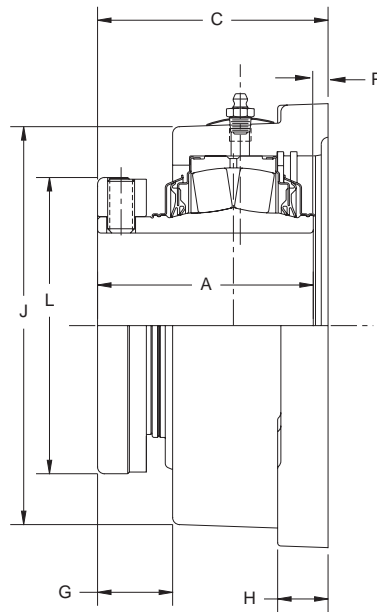
UNISPHERE II



**NOTE:** All sizes use a 1/8-27 NPT hydraulic grease fitting



EXPANSION



NON-EXPANSION

<p>FEATURES/BENEFITS PAGE B8-3</p>	<p>HOW TO ORDER PAGE B8-6</p>	<p>SELECTION PAGE B8-9</p>	<p>INTERCHANGE CHARTS PAGE B8-46</p>
--	-----------------------------------	--------------------------------	--



# DIMENSIONS



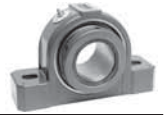
## S-2000 Flange Bearing - Square

Bearing	Shaft Size Inch	TRIDENT Seal				Labyrinth Seal			
		Non-Expansion		Expansion		Non-Expansion		Expansion	
		Part No.	Part Name	Part No.	Part Name	Part No.	Part Name	Part No.	Part Name
22208	1-3/8	<b>070541</b>	F4S-S2-106R	<b>070564</b>	F4S-S2-106RE	<b>070600</b>	F4S-S2-106L	<b>070853</b>	F4S-S2-106LE
	1-7/16	<b>070542</b>	F4S-S2-107R	<b>070565</b>	F4S-S2-107RE	<b>070601</b>	F4S-S2-107L	<b>070854</b>	F4S-S2-107LE
	1-1/2	<b>070543</b>	F4S-S2-108R	<b>070566</b>	F4S-S2-108RE	<b>070602</b>	F4S-S2-108L	<b>070855</b>	F4S-S2-108LE
22209	1-11/16	<b>070545</b>	F4S-S2-111R	<b>070568</b>	F4S-S2-111RE	<b>070604</b>	F4S-S2-111L	<b>070857</b>	F4S-S2-111LE
	1-3/4	<b>070546</b>	F4S-S2-112R	<b>070569</b>	F4S-S2-112RE	<b>070605</b>	F4S-S2-112L	<b>070858</b>	F4S-S2-112LE
22210	1-15/16	<b>070547</b>	F4S-S2-115R	<b>070570</b>	F4S-S2-115RE	<b>070606</b>	F4S-S2-115L	<b>070859</b>	F4S-S2-115LE
	2	<b>070548</b>	F4S-S2-200R	<b>070571</b>	F4S-S2-200RE	<b>070607</b>	F4S-S2-200L	<b>070860</b>	F4S-S2-200LE
22211	2-3/16	<b>070549</b>	F4S-S2-203R	<b>070572</b>	F4S-S2-203RE	<b>070608</b>	F4S-S2-203L	<b>070861</b>	F4S-S2-203LE
22213	2-7/16	<b>070551</b>	F4S-S2-207R	<b>070574</b>	F4S-S2-207RE	<b>070610</b>	F4S-S2-207L	<b>070863</b>	F4S-S2-207LE
22215	2-11/16	<b>070553</b>	F4S-S2-211R	<b>070576</b>	F4S-S2-211RE	<b>070612</b>	F4S-S2-211L	<b>070865</b>	F4S-S2-211LE
	2-15/16	<b>070554</b>	F4S-S2-215R	<b>070577</b>	F4S-S2-215RE	<b>070613</b>	F4S-S2-215L	<b>070866</b>	F4S-S2-215LE
	3	<b>070555</b>	F4S-S2-300R	<b>070578</b>	F4S-S2-300RE	<b>070614</b>	F4S-S2-300L	<b>070867</b>	F4S-S2-300LE
22218	3-7/16	<b>070557</b>	F4S-S2-307R	<b>070580</b>	F4S-S2-307RE	<b>070616</b>	F4S-S2-307L	<b>070869</b>	F4S-S2-307LE
22220	3-15/16	<b>070559</b>	F4S-S2-315R	<b>070582</b>	F4S-S2-315RE	<b>070618</b>	F4S-S2-315L	<b>070871</b>	F4S-S2-315LE

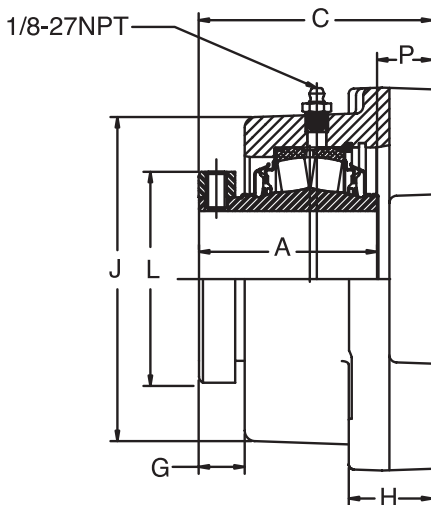
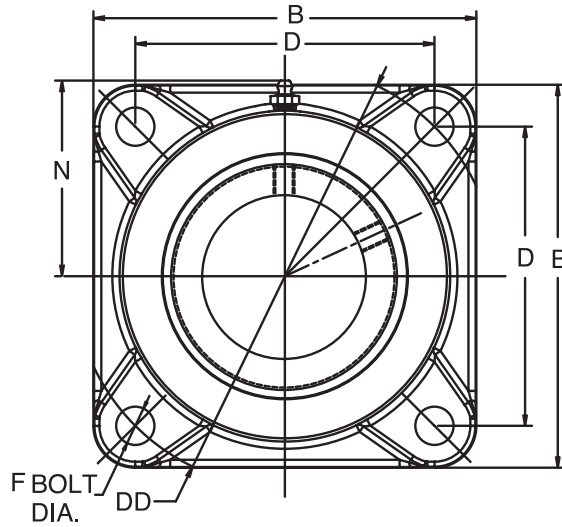
SHAFT SIZE	A	B	C	D	F BOLT DIA	G	H	J	K	L	N	P	X TOTAL EXP.
1-3/8 1-7/16 1-1/2	2-17/32	4-3/4	2-49/64	3-17/32	1/2	63/64	1/2	3-13/16	5	2-3/4	2-31/64	15/64	3/16
1-11/16 1-3/4	2-43/64	5-1/8	2-31/32	3-57/64	1/2	1-5/64	1/2	4-13/32	5-1/2	3-3/16	2-25/32	19/64	1/4
1-15/16 2	2-27/32	5-19/64	3-5/32	4-1/16	1/2	1-15/64	9/16	4-31/32	5-3/4	3-7/16	2-29/32	5/16	1/4
2-3/16 2-7/16	2-15/16 3-13/64	5-7/8 6-1/8	3-1/4 3-33/64	4-33/64 4-25/32	5/8 5/8	1-13/64 1-9/64	9/16 41/64	5-1/64 5-5/8	6-3/8 6-3/4	3-3/4 4-1/16	3-3/32 3-13/32	5/16 5/16	1/4 1/4
2-11/16 2-15/16 3	3-19/32	7-3/16	3-29/32	5-9/16	3/4	1-33/64	3/4	6-1/2	7-7/8	4-45/64	3-27/32	5/16	1/4
3-7/16 3-15/16	4 4-15/32	8-1/4 9-1/4	4-5/16 4-27/32	6-23/32 7-39/64	3/4 7/8	1-7/16 1-35/64	15/16 1-1/16	7-31/64 8-7/32	9-1/2 10-3/4	5-1/2 6	4-21/64 4-45/64	5/16 3/8	1/4 5/16

FEATURES/BENEFITS PAGE B8-3	HOW TO ORDER PAGE B8-6	SELECTION PAGE B8-9	INTERCHANGE CHARTS PAGE B8-46
--------------------------------	---------------------------	------------------------	----------------------------------

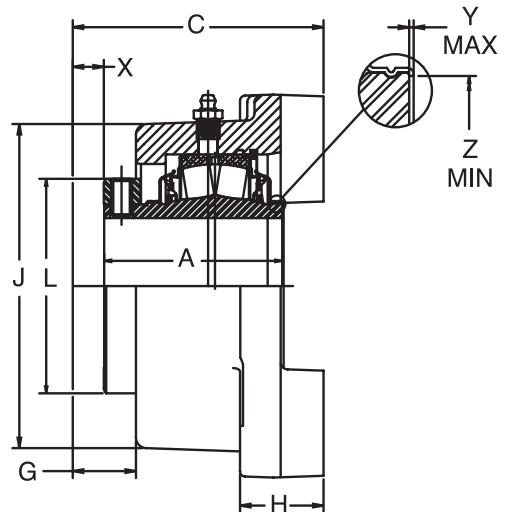
# DIMENSIONS



## S-2000 Flange Bearing - Square with Type E Dimensions



NON-EXPANSION



EXPANSION

FEATURES/BENEFITS  
PAGE B8-3

HOW TO ORDER  
PAGE B8-6

SELECTION  
PAGE B8-9

INTERCHANGE CHARTS  
PAGE B8-46

# DIMENSIONS



## S-2000 Flange Bearing - Square with Type E Dimensions

Bearing Series	Shaft Size*	TRIDENT Seal				Labyrinth Seal			
		Non Expansion		Expansion		Non Expansion		Expansion	
		Part No.	Part Name	Part No.	Part Name	Part No.	Part Name	Part No.	Part Name
22208	1-3/8	<b>071469</b>	EF4B-S2-106R	<b>071482</b>	EF4B-S2-106RE	<b>071495</b>	EF4B-S2-106L	<b>071508</b>	EF4B-S2-106LE
	1-7/16	<b>071470</b>	EF4B-S2-107R	<b>071483</b>	EF4B-S2-107RE	<b>071496</b>	EF4B-S2-107L	<b>071509</b>	EF4B-S2-107LE
22209	1-11/16	<b>071471</b>	EF4B-S2-111R	<b>071484</b>	EF4B-S2-111RE	<b>071497</b>	EF4B-S2-111L	<b>071510</b>	EF4B-S2-111LE
22210	1-15/16	<b>071472</b>	EF4B-S2-115R	<b>071485</b>	EF4B-S2-115RE	<b>071498</b>	EF4B-S2-115L	<b>071511</b>	EF4B-S2-115LE
	2	<b>071473</b>	EF4B-S2-200R	<b>071486</b>	EF4B-S2-200RE	<b>071499</b>	EF4B-S2-200L	<b>071512</b>	EF4B-S2-200LE
22211	2-3/16	<b>071474</b>	EF4B-S2-203R	<b>071487</b>	EF4B-S2-203RE	<b>071500</b>	EF4B-S2-203L	<b>071513</b>	EF4B-S2-203LE
22213	2-7/16	<b>071475</b>	EF4B-S2-207R	<b>071488</b>	EF4B-S2-207RE	<b>071501</b>	EF4B-S2-207L	<b>071514</b>	EF4B-S2-207LE
	2-11/16	<b>071476</b>	EF4B-S2-211R	<b>071489</b>	EF4B-S2-211RE	<b>071502</b>	EF4B-S2-211L	<b>071515</b>	EF4B-S2-211LE
22215	2-15/16	<b>071477</b>	EF4B-S2-215R	<b>071490</b>	EF4B-S2-215RE	<b>071503</b>	EF4B-S2-215L	<b>071516</b>	EF4B-S2-215LE
	3	<b>071478</b>	EF4B-S2-300R	<b>071491</b>	EF4B-S2-300RE	<b>071504</b>	EF4B-S2-300L	<b>071517</b>	EF4B-S2-300LE
22218	3-7/16	<b>071479</b>	EF4B-S2-307R	<b>071492</b>	EF4B-S2-307RE	<b>071505</b>	EF4B-S2-307L	<b>071518</b>	EF4B-S2-307LE
22220	3-15/16	<b>071480</b>	EF4B-S2-315R	<b>071493</b>	EF4B-S2-315RE	<b>071506</b>	EF4B-S2-315L	<b>071519</b>	EF4B-S2-315LE
22222	4-7/16	<b>071481</b>	EF4B-S2-407R	<b>071494</b>	EF4B-S2-407RE	<b>071507</b>	EF4B-S2-407L	<b>071520</b>	EF4B-S2-407LE

\*CONSULT DODGE FOR SIZES NOT LISTED

SHAFT SIZE	A	B #	C #	D	DD	F BOLT DIA.	G	H #	J #	L	N	P	X TOTAL EXP.	Y	Z	SET SCREW SIZE	S/S TORQUE IN/LBS
1-3/8 1-7/16	2.53	4.62	3.06	3.50	4.950	1/2	0.57	1.06	3.88	2.55	2.34	0.53	0.16	0.020	1.80	5/16-18	165
1-11/16	2.67	5.37	3.50	4.13	5.834	1/2	0.53	1.19	4.18	3.01	2.51	0.84	0.19	0.020	2.08	5/16-18	165
1-15/16 2	2.84	5.62	3.63	4.37	6.187	1/2	0.65	1.18	4.36	3.44	2.60	0.78	0.22	0.020	2.30	3/8-16	290
2-3/16	2.94	6.25	3.87	4.87	6.894	5/8	0.60	1.38	4.88	3.50	2.88	0.93	0.25	0.025	2.60	3/8-16	290
2-7/16	3.20	6.88	4.19	5.37	7.601	5/8	0.83	1.50	5.81	4.06	3.32	0.98	0.25	0.025	2.95	3/8-16	290
2-11/16	3.59	7.76	4.69	6.00	8.485	3/4	0.88	1.61	6.30	4.61	3.58	1.09	0.25	0.025	3.47	1/2-13	620
2-15/16 3																	
3-7/16	4.01	9.25	5.25	7.00	9.899	3/4	0.96	1.87	7.44	5.50	4.15	1.24	0.25	0.025	4.05	1/2-13	620
3-15/16	4.48	10.25	6.50	7.75	10.960	7/8	1.00	2.12	8.27	6.00	4.58	2.02	0.31	0.025	4.50	5/8-11	1325
4-7/16	6.53	10.88	7.10	8.75	12.374	7/8	1.39	2.43	9.13	6.45	5.01	0.56	0.38	N/A	N/A	5/8-11	1325

NOTE(S): "P" DIMENSION IS FOR NON-EXPANSION ONLY

"A" AND "P" DIMENSIONS DO NOT INCLUDE "Y" DIMENSION

# - REFERENCE DIMENSIONS ONLY

FEATURES/BENEFITS PAGE B8-3	HOW TO ORDER PAGE B8-6	SELECTION PAGE B8-9	INTERCHANGE CHARTS PAGE B8-46
--------------------------------	---------------------------	------------------------	----------------------------------



# DIMENSIONS



## S-2000 Piloted Flange

D-LOK

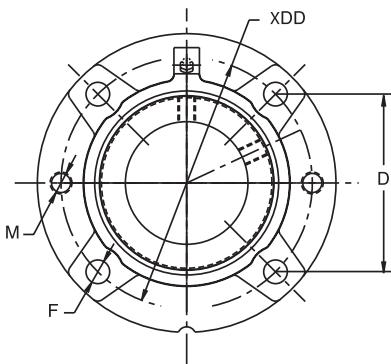
Type E Family

Specialty Tapered

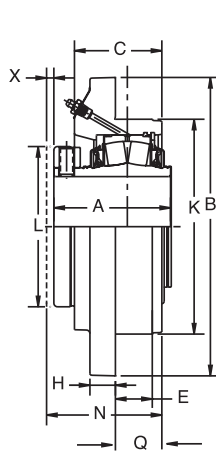
S-2000

UNISPHERE II

**NOTE:** All sizes use a 1/8-27 NPT hydraulic grease fitting

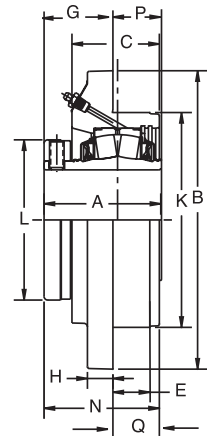


**NOTE:** 4-7/16 & 4-15/16 sizes have 6 evenly spaced mounting holes



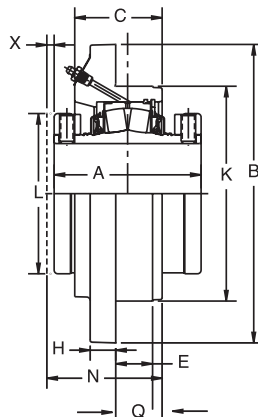
1-3/8 THRU 3-15/16"  
CONSTRUCTION

EXPANSION



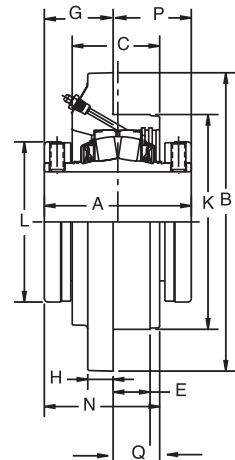
1-3/8 THRU 3-15/16"  
CONSTRUCTION

NON-EXPANSION



4-7/16 THRU 4-15/16"  
CONSTRUCTION

EXPANSION



4-7/16 THRU 4-15/16"  
CONSTRUCTION

NON-EXPANSION

FEATURES/BENEFITS  
PAGE B8-3

HOW TO ORDER  
PAGE B8-6

SELECTION  
PAGE B8-9

INTERCHANGE CHARTS  
PAGE B8-46

# DIMENSIONS

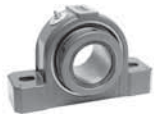


## S-2000 Piloted Flange

Bearing	Shaft Size Inch	TRIDENT Seal				Labyrinth Seal			
		Non-Expansion		Expansion		Non-Expansion		Expansion	
		Part No.	Part Name	Part No.	Part Name	Part No.	Part Name	Part No.	Part Name
22208	1-3/8	<b>070644</b>	FC-S2-106R	<b>070671</b>	FC-S2-106RE	<b>070698</b>	FC-S2-106L	<b>070725</b>	FC-S2-106LE
	1-7/16	<b>070645</b>	FC-S2-107R	<b>070672</b>	FC-S2-107RE	<b>070699</b>	FC-S2-107L	<b>070726</b>	FC-S2-107LE
	1-1/2	<b>070646</b>	FC-S2-108R	<b>070673</b>	FC-S2-108RE	<b>070700</b>	FC-S2-108L	<b>070727</b>	FC-S2-108LE
22209	1-11/16	<b>070648</b>	FC-S2-111R	<b>070675</b>	FC-S2-111RE	<b>070702</b>	FC-S2-111L	<b>070729</b>	FC-S2-111LE
	1-3/4	<b>070649</b>	FC-S2-112R	<b>070676</b>	FC-S2-112RE	<b>070703</b>	FC-S2-112L	<b>070730</b>	FC-S2-112LE
22210	1-15/16	<b>070650</b>	FC-S2-115R	<b>070677</b>	FC-S2-115RE	<b>070704</b>	FC-S2-115L	<b>070731</b>	FC-S2-115LE
	2	<b>070651</b>	FC-S2-200R	<b>070678</b>	FC-S2-200RE	<b>070705</b>	FC-S2-200L	<b>070732</b>	FC-S2-200LE
22211	2-3/16	<b>070652</b>	FC-S2-203R	<b>070679</b>	FC-S2-203RE	<b>070706</b>	FC-S2-203L	<b>070733</b>	FC-S2-203LE
22213	2-7/16	<b>070654</b>	FC-S2-207R	<b>070681</b>	FC-S2-207RE	<b>070708</b>	FC-S2-207L	<b>070735</b>	FC-S2-207LE
22215	2-11/16	<b>070656</b>	FC-S2-211R	<b>070683</b>	FC-S2-211RE	<b>070710</b>	FC-S2-211L	<b>070737</b>	FC-S2-211LE
	2-15/16	<b>070657</b>	FC-S2-215R	<b>070684</b>	FC-S2-215RE	<b>070711</b>	FC-S2-215L	<b>070738</b>	FC-S2-215LE
	3	<b>070658</b>	FC-S2-300R	<b>070685</b>	FC-S2-300RE	<b>070712</b>	FC-S2-300L	<b>070739</b>	FC-S2-300LE
22218	3-7/16	<b>070660</b>	FC-S2-307R	<b>070687</b>	FC-S2-307RE	<b>070714</b>	FC-S2-307L	<b>070741</b>	FC-S2-307LE
22220	3-15/16	<b>070662</b>	FC-S2-315R	<b>070689</b>	FC-S2-315RE	<b>070716</b>	FC-S2-315L	<b>070743</b>	FC-S2-315LE
22222	4-7/16 **	<b>070664</b>	FC-S2-407R	<b>070691</b>	FC-S2-407RE	<b>070718</b>	FC-S2-407L	<b>070745</b>	FC-S2-407LE
22226	4-15/16 **	<b>070666</b>	FC-S2-415R	<b>070693</b>	FC-S2-415RE	<b>070720</b>	FC-S2-415L	<b>070747</b>	FC-S2-415LE

SHAFT SIZE	A	B	C	D	DD	E	F BOLT DIA.	G	H	* K	L	M	N	P	Q	X TOTAL EXP.
1-3/8																
1-7/16	2-17/32	5-1/4	1-27/32	3-3/32	4-3/8	3/4	3/8	1-5/16	1/2	3.625	2-3/4	3/8-16	2-17/32	1-7/32	1-7/32	3/16
1-1/2																
1-11/16	2-43/64	6-1/8	1-29/32	3-5/8	5-1/8	7/8	7/16	1-29/64	1/2	4.250	3-3/16	7/16-14	2-23/32	1-7/32	1-17/64	1/4
1-3/4																
1-15/16	2-27/32	6-3/8	2	3-51/64	5-3/8	7/8	7/16	1-19/32	9/16	4.500	3-7/16	7/16-14	2-55/64	1-1/4	1-17/64	1/4
2																
2-3/16	2-15/16	7-1/8	2-3/16	4-1/4	6	1	1/2	1-9/16	9/16	5.000	3-3/4	1/2-13	2-63/64	1-3/8	1-27/64	1/4
2-7/16	3-13/64	7-5/8	2-1/2	4-19/32	6-1/2	1	1/2	1-41/64	5/8	5.500	4-1/16	1/2-13	3-13/64	1-9/16	1-9/16	1/4
2-11/16																
2-15/16	3-19/32	8-3/4	2-5/8	5-19/64	7-1/2	1-1/4	5/8	2-1/32	3/4	6.375	4-45/64	5/8-11	3-41/64	1-9/16	1-5/8	1/4
3																
3-7/16	4	10-1/4	3	6-3/32	8-5/8	1-17/64	3/4	2-23/64	15/16	7.375	5-1/2	3/4-10	3-7/8	1-41/64	1-33/64	1/4
3-15/16	4-15/32	10-7/8	3-1/2	6-5/8	9-3/8	1-15/32	3/4	2-21/32	1-1/8	8.125	6	3/4-10	4-9/16	1-13/16	1-29/32	5/16
4-7/16	6-17/32	13-37/64	4	** 5-7/8	11-3/4	1-29/64	3/4**	3-17/32	1	10.250	6-29/64	3/4-10	5-1/2	3	1-63/64	3/8
4-15/16	6-29/32	14-27/32	4-3/8	** 6-3/8	12-3/4	1-45/64	7/8**	3-7/16	1-1/4	11.000	7-29/64	7/8-9	5-55/64	3-15/32	2-27/64	3/8

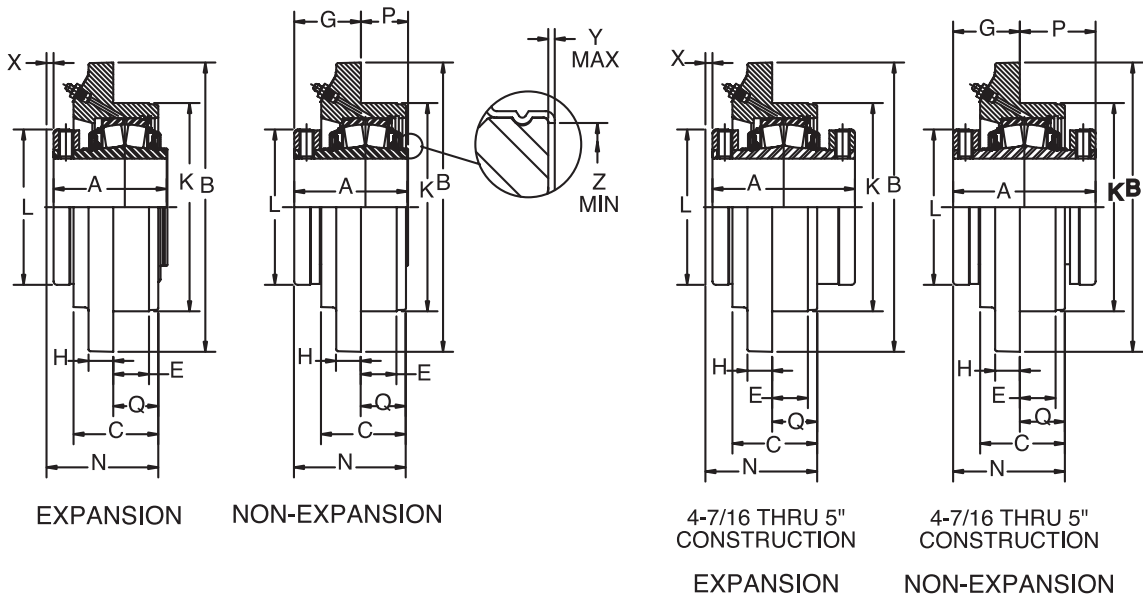
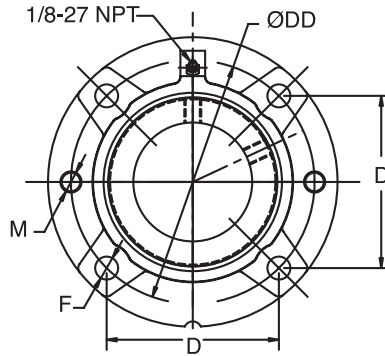
FEATURES/BENEFITS PAGE B8-3	HOW TO ORDER PAGE B8-6	SELECTION PAGE B8-9	INTERCHANGE CHARTS PAGE B8-46
--------------------------------	---------------------------	------------------------	----------------------------------



# DIMENSIONS



## S-2000 Piloted Flange with Type E Dimensions



EXPANSION

NON-EXPANSION

4-7/16 THRU 5" CONSTRUCTION

EXPANSION

4-7/16 THRU 5" CONSTRUCTION

NON-EXPANSION

D-LOK

Type E Family

Specialty Tapered

S-2000

UNISPHERE II

FEATURES/BENEFITS PAGE B8-3	HOW TO ORDER PAGE B8-6	SELECTION PAGE B8-9	INTERCHANGE CHARTS PAGE B8-46
--------------------------------	---------------------------	------------------------	----------------------------------

# DIMENSIONS



## S-2000 Piloted Flange with Type E Dimensions

Bearing Series	Shaft Size*	TRIDENT SEAL				Labyrinth Seal			
		Non Expansion		Expansion		Non Expansion		Expansion	
		Part No.	Part Name	Part No.	Part Name	Part No.	Part Name	Part No.	Part Name
22208	1-3/8	<b>070644</b>	FC-S2-106R	<b>070671</b>	FC-S2-106RE	<b>070698</b>	FC-S2-106L	<b>070725</b>	FC-S2-106LE
	1-7/16	<b>070645</b>	FC-S2-107R	<b>070672</b>	FC-S2-107RE	<b>070699</b>	FC-S2-107L	<b>070726</b>	FC-S2-107LE
22209	1-11/16	<b>070648</b>	FC-S2-111R	<b>070675</b>	FC-S2-111RE	<b>070702</b>	FC-S2-111L	<b>070729</b>	FC-S2-111LE
22210	1-15/16	<b>070650</b>	FC-S2-115R	<b>070677</b>	FC-S2-115RE	<b>070704</b>	FC-S2-115L	<b>070731</b>	FC-S2-115LE
	2	<b>070651</b>	FC-S2-200R	<b>070678</b>	FC-S2-200RE	<b>070705</b>	FC-S2-200L	<b>070732</b>	FC-S2-200LE
22211	2-3/16	<b>070652</b>	FC-S2-203R	<b>070679</b>	FC-S2-203RE	<b>070706</b>	FC-S2-203L	<b>070733</b>	FC-S2-203LE
22213	2-7/16	<b>070654</b>	FC-S2-207R	<b>070681</b>	FC-S2-207RE	<b>070708</b>	FC-S2-207L	<b>070735</b>	FC-S2-207LE
22215	2-11/16	<b>070656</b>	FC-S2-211R	<b>070683</b>	FC-S2-211RE	<b>070710</b>	FC-S2-211L	<b>070737</b>	FC-S2-211LE
	2-15/16	<b>070657</b>	FC-S2-215R	<b>070684</b>	FC-S2-215RE	<b>070711</b>	FC-S2-215L	<b>070738</b>	FC-S2-215LE
	3	<b>070658</b>	FC-S2-300R	<b>070685</b>	FC-S2-300RE	<b>070712</b>	FC-S2-300L	<b>070739</b>	FC-S2-300LE
22218	3-7/16	<b>070660</b>	FC-S2-307R	<b>070687</b>	FC-S2-307RE	<b>070714</b>	FC-S2-307L	<b>070741</b>	FC-S2-307LE
22220	3-15/16	<b>070662</b>	FC-S2-315R	<b>070689</b>	FC-S2-315RE	<b>070716</b>	FC-S2-315L	<b>070743</b>	FC-S2-315LE
22222	4-7/16	<b>071521</b>	EFC-S2-407R	<b>071523</b>	EFC-S2-407RE	<b>071525</b>	EFC-S2-407L	<b>071527</b>	EFC-S2-407LE
22226	4-15/16	<b>071522</b>	EFC-S2-415R	<b>071524</b>	EFC-S2-415RE	<b>071526</b>	EFC-S2-415L	<b>071528</b>	EFC-S2-415LE

SHAFT SIZE	A	B #	C #	D	DD	E #	F BOLT DIA.	G	H #	K ##	L	M	N	P	Q #	X TOTAL EXP.	Y	Z	SET SCREW SIZE	S/S TORQUE IN/LBS
1-3/8	2.53	5.25	1.84	3.09	4.375	0.75	3/8	1.31	0.50	3.625	2.55	3/8-16	2.53	1.22	1.22	0.19	0.020	1.80	5/16	165
1-7/16	2.67	6.13	1.91	3.63	5.125	0.88	7/16	1.45	0.50	4.250	3.01	7/16-14	2.72	1.22	1.26	0.25	0.020	2.08	5/16	165
1-11/16	2.84	6.38	2.00	3.80	5.375	0.88	7/16	1.59	0.56	4.500	3.44	7/16-14	2.86	1.25	1.26	0.25	0.020	2.30	3/8	290
2	2.84	6.38	2.00	3.80	5.375	0.88	7/16	1.59	0.56	4.500	3.44	7/16-14	2.86	1.25	1.26	0.25	0.020	2.30	3/8	290
2-3/16	2.94	7.13	2.19	4.25	6.000	1.00	1/2	1.56	0.56	5.000	3.50	1/2-13	2.98	1.38	1.42	0.25	0.025	2.59	3/8	290
2-7/16	3.20	7.63	2.50	4.59	6.500	1.00	1/2	1.64	0.63	5.500	4.06	1/2-13	3.20	1.56	1.56	0.25	0.025	2.94	3/8	290
2-11/16																				
2-15/16	3.59	8.75	2.63	5.30	7.500	1.25	5/8	2.03	0.75	6.375	4.61	5/8-11	3.64	1.56	1.63	0.25	0.025	3.47	1/2	620
3	3.59	8.75	2.63	5.30	7.500	1.25	5/8	2.03	0.75	6.375	4.61	5/8-11	3.64	1.56	1.63	0.25	0.025	3.47	1/2	620
3-7/16	4.01	10.25	3.00	6.09	8.625	1.26	3/4	2.36	0.94	7.375	5.50	3/4-10	3.88	1.65	1.52	0.25	0.025	4.05	1/2	620
3-15/16	4.47	10.88	3.50	6.63	9.375	1.47	3/4	2.66	1.13	8.125	6.00	3/4-10	4.56	1.81	1.91	0.31	0.025	4.50	5/8	1325
4-7/16	6.53	13.50	4.58	5.88	11.750	1.45	3/4 **	3.00	0.94	10.250	6.45	3/4-10	5.63	3.53	2.63	0.38	N/A	N/A	5/8	1325
4-15/16	6.91	14.75	4.88	6.38	12.750	1.70	7/8 **	2.97	1.25	11.000	7.45	7/8-9	5.95	3.94	3.01	0.38	N/A	N/A	5/8	1325

## - +0.000 NOTE(S): "P" AND "G" DIMENSIONS ARE FOR NON-EXPANSION ONLY  
 -0.002 "A" AND "P" DIMENSIONS DO NOT INCLUDE "Y" DIMENSION  
 # - REFERENCE DIMENSION ONLY

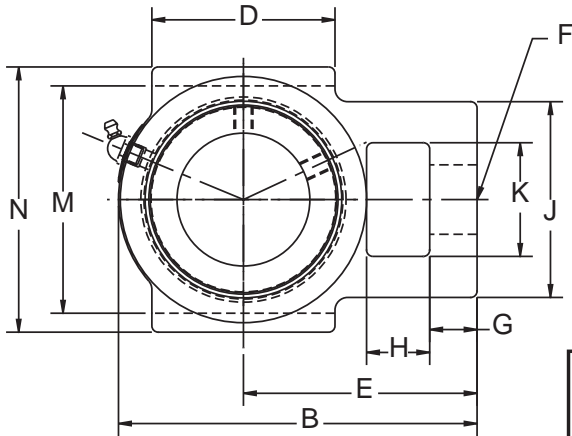
FEATURES/BENEFITS PAGE B8-3	HOW TO ORDER PAGE B8-6	SELECTION PAGE B8-9	INTERCHANGE CHARTS PAGE B8-46
--------------------------------	---------------------------	------------------------	----------------------------------



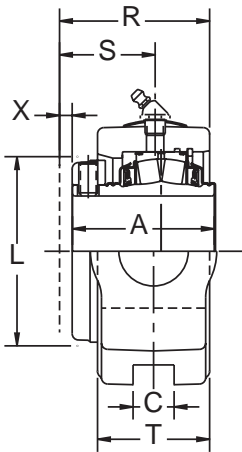
# DIMENSIONS



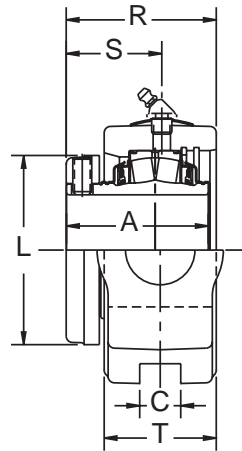
## S-2000 Wide Slot Take-Up 1-3/8 THRU 2-3/16 INCH



**NOTE:** All sizes use a 1/8-27 NPT hydraulic grease fitting



EXPANSION



NON-EXPANSION

D-LOK

Type E Family

Specialty Tapered

S-2000

UNISPHERE II

FEATURES/BENEFITS PAGE B8-3	HOW TO ORDER PAGE B8-6	SELECTION PAGE B8-9	INTERCHANGE CHARTS PAGE B8-46
--------------------------------	---------------------------	------------------------	----------------------------------



# DIMENSIONS



## S-2000 Wide Slot Take-Up 1-3/8 THRU 2-3/16 INCH

Bearing	Shaft Size Inch	Take-Up Frame	TRIDENT Seal			
			Non-Expansion		Expansion	
			Part No.	Part Name	Part No.	Part Name
22208	1-3/8	CP-308	070752	WSTU-S2-106R	070779	WSTU-S2-106RE
	1-7/16		070753	WSTU-S2-107R	070780	WSTU-S2-107RE
	1-1/2		070754	WSTU-S2-108R	070781	WSTU-S2-108RE
22209	1-11/16	CP-400	070756	WSTU-S2-111R	070783	WSTU-S2-111RE
	1-3/4		070757	WSTU-S2-112R	070784	WSTU-S2-112RE
22210	1-15/16	CP-400	070758	WSTU-S2-115R	070785	WSTU-S2-115RE
	2		070759	WSTU-S2-200R	070786	WSTU-S2-200RE
22211	2-3/16	CP-408	070760	WSTU-S2-203R	070787	WSTU-S2-203RE

SHAFT SIZE	A	B	C	D	E	F	G	H	J
1-3/8									
1-7/16	2-17/32	5-1/16	17/32	2-3/4	3-3/16	7/8	11/16	5/8	2-7/16
1-1/2									
1-11/16	2-43/64	5-15/16	11/16	3-1/8	3-13/16	1-1/8	15/16	3/4	3-5/16
1-3/4									
1-15/16	2-27/32	6-3/16	11/16	3-5/8	3-15/16	1-1/8	15/16	3/4	3-5/16
2									
2-3/16	2-15/16	7-1/16	13/16	3-5/8	4-5/8	1-3/8	15/16	1-1/4	3-7/8

SHAFT SIZE	K	L	M	N	R	S	T	X TOTAL EXP
1-3/8								
1-7/16	1-7/16	2-3/4	3-1/2	4-1/8	2-47/64	1-45/64	2-1/16	3/16
1-1/2								
1-11/16	1-15/16	3-3/16	4	4-3/4	2-53/64	1-13/16	2-1/32	1/4
1-3/4								
1-15/16	1-15/16	3-7/16	4	4-3/4	2-15/16	1-15/16	2	1/4
2								
2-3/16	2-1/4	3-3/4	4-1/2	5-1/4	3-3/32	1-63/64	2-7/32	1/4

FEATURES/BENEFITS PAGE B8-3	HOW TO ORDER PAGE B8-6	SELECTION PAGE B8-9	INTERCHANGE CHARTS PAGE B8-46
--------------------------------	---------------------------	------------------------	----------------------------------



# DIMENSIONS



## S-2000 Wide Slot Take-Up 2-7/16 THRU 4-15/16 INCH

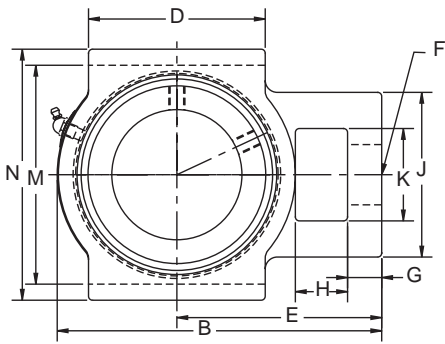
D-LOK

Type E Family

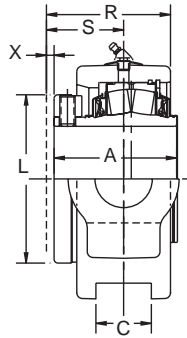
Specialty Tapered

S-2000

UNISPHERE II

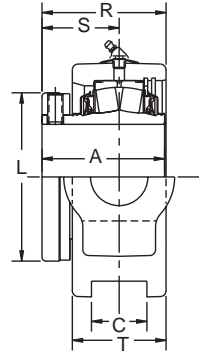


**NOTE:** All sizes use a 1/8-27 NPT hydraulic grease fitting



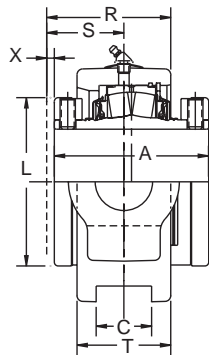
1-3/8" THRU 3-15/16"  
CONSTRUCTION

EXPANSION



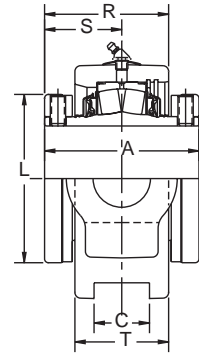
1-3/8" THRU 3-15/16"  
CONSTRUCTION

NON-EXPANSION



4-7/16" THRU 4-15/16"  
CONSTRUCTION

EXPANSION



4-7/16" THRU 4-15/16"  
CONSTRUCTION

NON-EXPANSION

FEATURES/BENEFITS  
PAGE B8-3

HOW TO ORDER  
PAGE B8-6

SELECTION  
PAGE B8-9

INTERCHANGE CHARTS  
PAGE B8-46

# DIMENSIONS



## S-2000 Wide Slot Take-Up 2-7/16 THRU 4-15/16 INCH

Bearing	Shaft Size Inch	Take-Up Frame	TRIDENT Seal			
			Non-Expansion		Expansion	
			Part Number	Part Name	Part Number	Part Name
22213	2-7/16	CP-502	070762	WSTU-S2-207R	070789	WSTU-S2-207RE
22215	2-11/16	CP-515	070764	WSTU-S2-211R	070791	WSTU-S2-211RE
	2-15/16		070765	WSTU-S2-215R	070792	WSTU-S2-215RE
	3		070766	WSTU-S2-300R	070793	WSTU-S2-300RE
22218	3-7/16	CP-613	070768	WSTU-S2-307R	070795	WSTU-S2-307RE
22220	3-15/16	CP-810	070770	WSTU-S2-315R	070797	WSTU-S2-315RE
22222	4-7/16	CP-908	070772	WSTU-S2-407R	070799	WSTU-S2-407RE
22226	4-15/16	CP-1004	070774	WSTU-S2-415R	070801	WSTU-S2-415RE

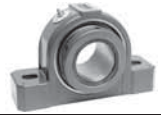
SHAFT SIZE	A	B	C	D	E	F	G	H	J
2-7/16	3-13/64	7-11/16	1-1/16	4-3/8	5	1-3/8	1-1/16	1-1/4	4-1/4
2-11/16	3-19/32	8-7/8	1-13/16	4-1/2	5-3/4	1-5/8	1-1/8	1-1/2	4-7/8
2-15/16									
3									
3-7/16	4	10-1/16	1-13/16	5-1/2	6-3/8	1-7/8	1-1/16	1-5/8	5-1/8
3-15/16	4-15/32	12-9/16	2-1/16	7	8-3/8	2-1/8	2-1/16	2-1/8	6
4-7/16	6-17/32	13-3/8	2-1/16	7	8-3/4	2-1/8	2	2-1/8	6-3/8
4-15/16	6-29/32	15-5/8	2-1/16	9	10-5/16	2-3/8	2-1/2	2-1/2	7

SHAFT SIZE	K	L	M	N	R	S	T	X Total Exp
2-7/16	2-1/2	4-1/16	5-1/8	5-7/8	3-13/64	2	2-7/16	1/4
2-11/16	2-3/4	4-45/64	5-15/16	6-11/16	3-3/4	2-13/32	2-11/16	1/4
2-15/16								
3								
3-7/16	2-7/8	5-1/2	6-13/16	7-13/16	4-3/64	2-33/64	3-1/16	1/4
3-15/16	3-3/8	6	8-5/8	9-7/16	4-37/64	2-55/64	3-7/16	5/16
4-7/16	3-3/8	6-29/64	9-1/2	10-3/8	5-11/32	3-15/32	3-3/4	3/8
4-15/16	3-3/4	7-29/64	10-1/4	11-1/4	5-47/64	3-41/64	4-3/16	3/8

See Page B15-20 for CP Take-Up Frame

FEATURES/BENEFITS PAGE B8-3	HOW TO ORDER PAGE B8-6	SELECTION PAGE B8-9	INTERCHANGE CHARTS PAGE B8-46
--------------------------------	---------------------------	------------------------	----------------------------------

# DIMENSIONS



## TP Take-Up

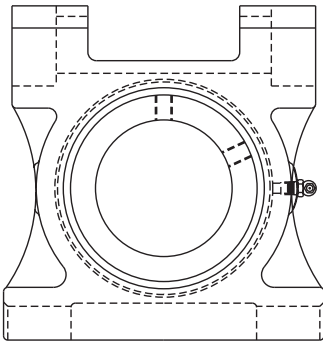
D-LOK

Type E Family

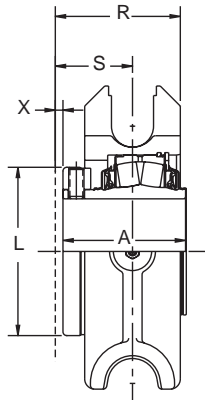
Specialty Tapered

S-2000

UNISPHERE II

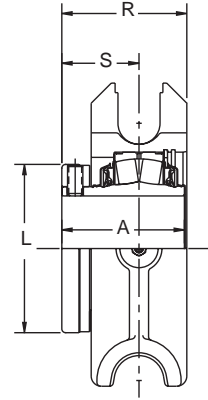


**NOTE:** All sizes use a 1/8-27 NPT hydraulic grease fitting



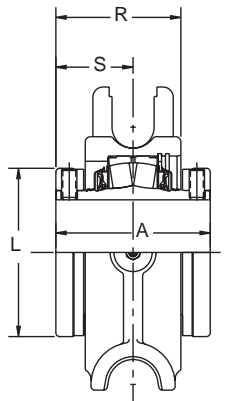
1-15/16" THRU 3-15/16"  
CONSTRUCTION

EXPANSION



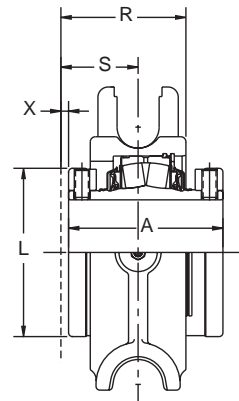
1-15/16" THRU 3-15/16"  
CONSTRUCTION

NON-EXPANSION



4-7/16" THRU 4-15/16"  
CONSTRUCTION

NON-EXPANSION



4-7/16" THRU 4-15/16"  
CONSTRUCTION

EXPANSION

FEATURES/BENEFITS PAGE B8-3	HOW TO ORDER PAGE B8-6	SELECTION PAGE B8-9	INTERCHANGE CHARTS PAGE B8-46
--------------------------------	---------------------------	------------------------	----------------------------------

# DIMENSIONS



## TP Take-Up

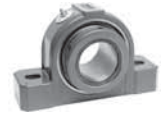
Bearing Inch	Shaft Size	TAKE-UP FRAME		TRIDENT Seal			
				Non-Expansion		Expansion	
				Part Number	Part Name	Part Number	Part Name
22210	1-15/16 2	TP10	TPHU110	070811	TPHU-S2-115R	070829	TPHU-S2-115RE
				070812	TPHU-S2-200R	070830	TPHU-S2-200RE
22211	2-3/16	TP30	TPHU120	070813	TPHU-S2-203R	070831	TPHU-S2-203RE
22213	2-7/16	TP40	TPHU130	070815	TPHU-S2-207R	070833	TPHU-S2-207RE
22215	2-11/16 2-15/16 3	TP40	TPHU140	070817	TPHU-S2-211R	070835	TPHU-S2-211RE
				070818	TPHU-S2-215R	070836	TPHU-S2-215RE
				070819	TPHU-S2-300R	070837	TPHU-S2-300RE
22218	3-7/16	TP50	TPHU150	070821	TPHU-S2-307R	070839	TPHU-S2-307RE
22220	3-15/16	TP60	TPHU160	070823	TPHU-S2-315R	070841	TPHU-S2-315RE
22222	4-7/16	N/A	TPHU170	070825	TPHU-S2-407R	070843	TPHU-S2-407RE
22226	4-15/16	N/A	TPHU180	070827	TPHU-S2-415R	070845	TPHU-S2-415RE

SHAFT SIZE	A	L	R	S	X
1-15/16 2	2-27/32	3-7/16	3-3/16	2	1/4
2-3/16	2-15/16	3-3/4	3-25/64	2-1/64	1/4
2-7/16	3-13/64	4-1/16	3-17/32	2-5/32	1/4
2-11/16 2-15/16 3	3-19/32	4-45/64	3-53/64	2-29/64	1/4
3-7/16	4	5-1/2	4-7/32	2-21/32	1/4
3-15/16	4-15/32	6	4-33/64	2-61/64	5/16
4-7/16	6-17/32	6-29/64	5-29/64	3-29/64	3/8
4-15/16	6-29/32	7-29/64	5-7/8	3-21/32	3/8

See page B15-14 thru B15-19 for TP and TPHU Frames

FEATURES/BENEFITS PAGE B8-3	HOW TO ORDER PAGE B8-6	SELECTION PAGE B8-9	INTERCHANGE CHARTS PAGE B8-46
--------------------------------	---------------------------	------------------------	----------------------------------

# DIMENSIONS



## S-2000 Bearing Insert

D-LOK

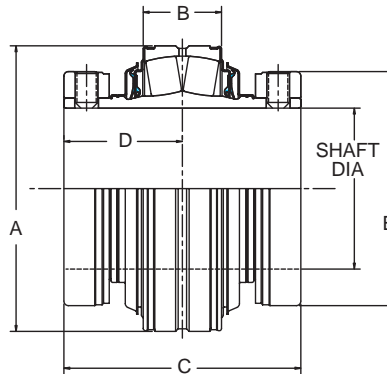
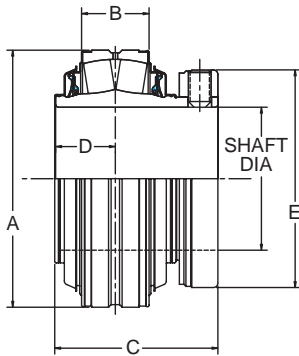
Type E Family

Specialty Tapered

S-2000

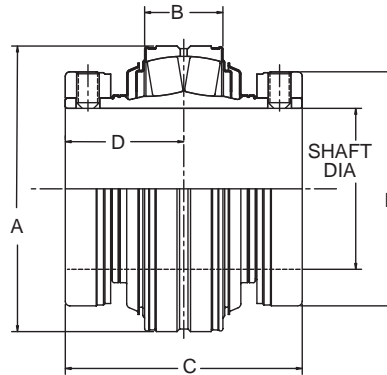
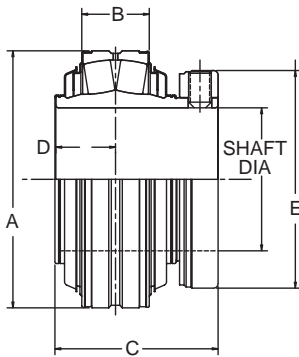
UNISPHERE II

### TRIDENT SEAL



1-3/8 THRU 3-15/16" CONSTRUCTION    4-7/16 THRU 4-15/16" CONSTRUCTION

### LABYRINTH SEAL



1-3/8 THRU 3-15/16" CONSTRUCTION    4-7/16 THRU 4-15/16" CONSTRUCTION

FEATURES/BENEFITS  
PAGE B8-3

HOW TO ORDER  
PAGE B8-6

SELECTION  
PAGE B8-9

INTERCHANGE CHARTS  
PAGE B8-46

# DIMENSIONS



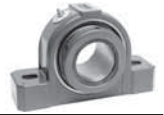
## S-2000 Bearing Insert

Bearing	SHAFT SIZE	TRIDENT SEAL		LABYRINTH SEAL	
		PART NUMBER	PART NAME	PART NUMBER	PART NAME
22208	1-3/8	<b>070000</b>	INS-S2-106R	<b>070016</b>	INS-S2-106L
	1-7/16	<b>070001</b>	INS-S2-107R	<b>070017</b>	INS-S2-107L
	1-1/2	<b>070002</b>	INS-S2-108R	<b>070018</b>	INS-S2-108L
22209	1-11/16	<b>070003</b>	INS-S2-111R	<b>070019</b>	INS-S2-111L
	1-3/4	<b>070004</b>	INS-S2-112R	<b>070020</b>	INS-S2-112L
22210	1-15/16	<b>070005</b>	INS-S2-115R	<b>070021</b>	INS-S2-115L
	2	<b>070006</b>	INS-S2-200R	<b>070022</b>	INS-S2-200L
22211	2-3/16	<b>070007</b>	INS-S2-203R	<b>070023</b>	INS-S2-203L
22213	2-7/16	<b>070008</b>	INS-S2-207R	<b>070024</b>	INS-S2-207L
22215	2-11/16	<b>070009</b>	INS-S2-211R	<b>070025</b>	INS-S2-211L
	2-15/16	<b>070010</b>	INS-S2-215R	<b>070026</b>	INS-S2-215L
	3	<b>070011</b>	INS-S2-300R	<b>070027</b>	INS-S2-300L
22218	3-7/16	<b>070012</b>	INS-S2-307R	<b>070028</b>	INS-S2-307L
22220	3-15/16	<b>070013</b>	INS-S2-315R	<b>070029</b>	INS-S2-315L
22222	4-7/16	<b>070014</b>	INS-S2-407R	<b>070030</b>	INS-S2-407L
22226	4-15/16	<b>070015</b>	INS-S2-415R	<b>070031</b>	INS-S2-415L

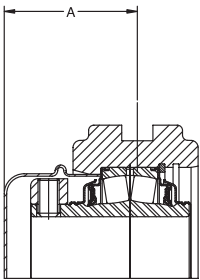
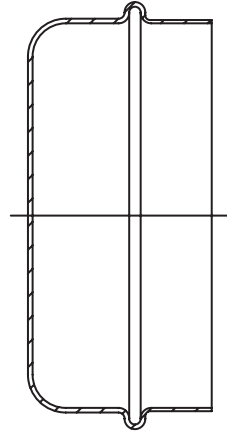
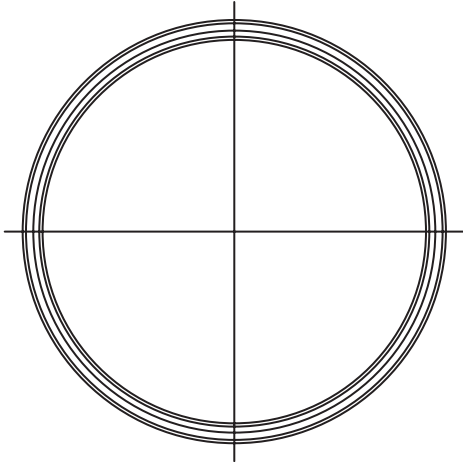
SHAFT SIZE	A	B	C	D	E
1-3/8	3.150	61/64	2-17/32	0.970	2-21/32
1-7/16					
1-1/2					
1-11/16	3.346	61/64	2-21/32	0.954	3-3/32
1-3/4					
1-15/16	3.543	61/64	2-27/32	0.977	3-11/32
2					
2-3/16	3.937	1-3/64	2-15/16	1.050	3-21/32
2-7/16	4.724	1-9/32	3-13/64	1.208	3-31/32
2-11/16	5.118	1-9/32	3-19/32	1.219	4-5/8
2-15/16					
3					
3-7/16	6.299	1-5/8	4	1.483	5-1/2
3-15/16	7.087	1-7/8	4-31/64	1.646	6
4-7/16	7.874	2-5/32	6-17/32	3.266	6-29/64
4-15/16	9.055	2-19/32	6-29/32	3.453	7-29/64

FEATURES/BENEFITS PAGE B8-3	HOW TO ORDER PAGE B8-6	SELECTION PAGE B8-9	INTERCHANGE CHARTS PAGE B8-46
--------------------------------	---------------------------	------------------------	----------------------------------

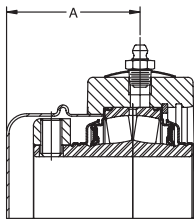
# DIMENSIONS



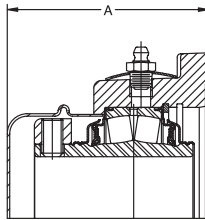
## S-2000 Bearing End Cover



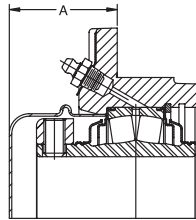
WS TAKE-UP



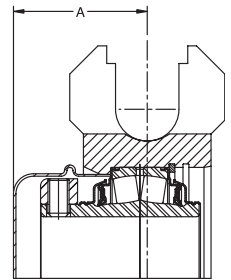
PILLOW BLOCK



FLANGE



PILOTED FLANGE



TPU TAKE-UP

D-LOK

Type E Family

Specialty Tapered

S-2000

UNISPHERE II

FEATURES/BENEFITS  
PAGE B8-3

HOW TO ORDER  
PAGE B8-6

SELECTION  
PAGE B8-9

INTERCHANGE CHARTS  
PAGE B8-46



# DIMENSIONS



## S-2000 Bearing End Cover

Shaft Size	Housing Design			
	S2000		* E-S2000	
	Part #	Description	Part #	Description
1-3/8 to 1-1/2	<b>069970</b>	S2EC08	<b>069960</b>	IPEC08
1-11/16 to 1-3/4	<b>069971</b>	S2EC09	<b>069961</b>	IPEC09
1-15/16 to 2	<b>069972</b>	S2EC10	<b>069972</b>	IPEC10
2-3/16	<b>069973</b>	S2EC11	<b>069963</b>	IPEC11
2-7/16	<b>069964</b>	S2EC13	<b>069964</b>	IPEC13
2 11/16 to 3	<b>069975</b>	S2EC15	<b>069965</b>	IPEC15
3-7/16	<b>069966</b>	S2EC18	<b>069966</b>	S2IPEC18
3-15/16	<b>069967</b>	S2IPEC20	<b>069967</b>	S2IPEC20
4-7/16	<b>069968</b>	S2IPEC22	<b>069968</b>	S2IPEC22
4-15/16	<b>069969</b>	S2IPEC26	<b>069969</b>	S2IPEC26

\* End Covers for S2000 with Type E dimensioned housing

### “A” DIMENSION

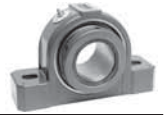
SHAFT SIZE (IN)	S-2000 Pillow Block	*E-S2000 Pillow Block	S-2000 Piloted Flange	*E-S2000 Piloted Flange	S-2000 Flange	*E-S2000 Flange	Wide Slot Take-up	Top Angle Take-up
1-3/8 thru 1-1/2	1.97	1.83	1.61	1.61	3.06	3.39	2.00	N/A
1-11/16 thru 1-3/4	2.16	2.20	1.77	1.77	3.27	4.01	2.13	N/A
1-15/16 thru 2	2.25	2.00	1.86	1.86	3.41	3.89	2.19	2.25
2 -3/16	2.41	2.47	1.94	1.94	3.63	4.47	2.36	2.41
2 -7/16	2.44	2.44	2.09	2.09	3.95	4.63	2.44	2.61
2 -11/16 thru 3	2.56	2.54	2.20	2.20	4.09	4.97	2.61	2.64
3 -7/16	2.94	2.91	2.78	2.78	4.73	5.65	2.94	2.94
3-15/16	3.36	3.67	3.19	3.19	5.38	7.04	3.39	3.48
4 -7/16	3.83	3.78	3.89	3.72	N/A	7.49	3.84	3.83
4-15/16	4.36	4.33	4.11	3.95	N/A	N/A	4.36	4.36

\* S-2000 With Type E dimensioned Housing

FEATURES/BENEFITS PAGE B8-3	HOW TO ORDER PAGE B8-6	SELECTION PAGE B8-9	INTERCHANGE CHARTS PAGE B8-46
--------------------------------	---------------------------	------------------------	----------------------------------

# NOTES

---



D-LOK

Type E Family

Specialty Tapered

S-2000

UNISPHERE II

# CONTENTS



## UNISPHERE II

Features / Benefits .....	B9- 3
Specifications .....	B9- 4
Nomenclature .....	B9- 5
Selection .....	B9- 6
Dimensions	
Pillow Block - Inch .....	B9- 16
Flange Bearing - Inch .....	B9- 18
Bearing Insert With Seal - Inch .....	B9- 20
Plummer Block Bearing - Metric .....	B9- 16
Flange Bearing - Metric .....	B9- 24
Bearing Insert With Seal - Metric .....	B9- 25
Part Number Index .....	INDEX-1
Key Word Index .....	INDEX-34

D-LOK

Type E Family

Speciality Tapered

S-2000

UNISPHERE II



**DODGE**<sup>®</sup>

# NOTES

---

D-LOK

Type E Family

Specialty Tapered

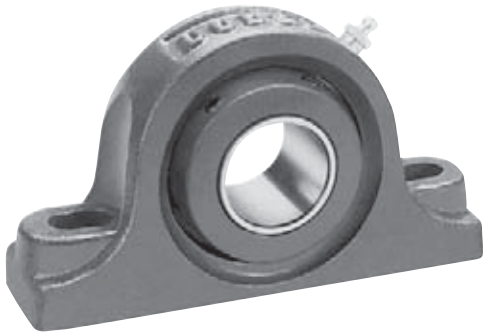
S-2000

UNISPHERE II

# FEATURES/BENEFITS



## UNISPHERE II



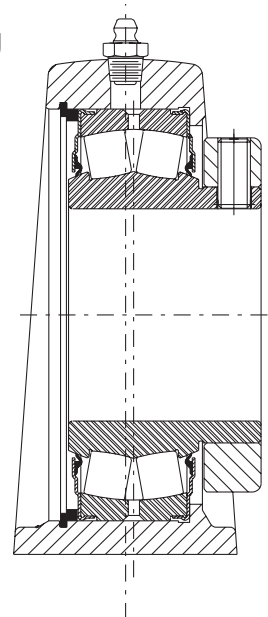
Dimensionally interchangeable with ball bearings:

- Length through the bore
- Base-to-center height
- Footprint

**Approximately five times the rating of a ball bearing**

## UNISPHERE II

- High capacity double row spherical
- 2-bolt pillow blocks and 4-bolt flange bearings 17/16" to 4", 40 mm to 90 mm.
- Same rolling elements and installation ready features as the S-2000 bearing.
- Ductile iron pillow block housing with 65,000 PSI tensile strength is 92% the strength of steel.
- DODGE "R" Seal provides contacting lip protection, crimped to the outer race; maintains sealing effectiveness at maximum misalignment.
- Springlok™ collar mount with 65 set-screw spacing for optimum clamping force.



D-LOK

Type E Family

Specialty Tapered

S-2000

UNISPHERE II



# SPECIFICATION

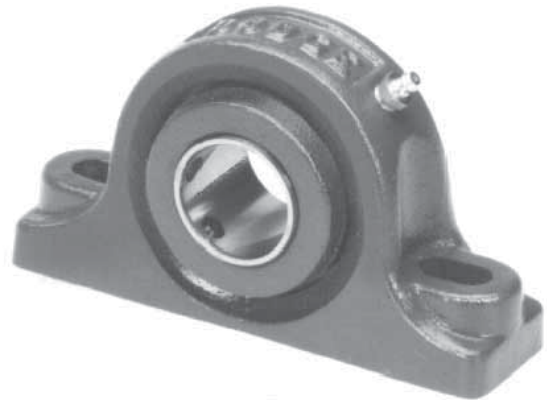
## UNISPHERE II INCH

DODGE Unitized UNISPHERE II are general purpose, high-capacity, double-row spherical roller bearings. All are mounted in single piece precision machined housings. Bearings are mounted to shafts by means of set screw collars, with 65 degree set screw spacing for maximum clamping force.

ASTM A48 Class 30 cast iron is the standard material used in S-2000 housings and UNISPHERE II flanged housings. The standard material used in UNISPHERE II

pillow blocks is ductile iron (ASTM A536 Grade 65-45-12) with 65,000 p.s.i. tensile strength. Housing designs are available for survival in extreme harsh environments, through the use of special finishes and stainless hardware.

Housings are available in a variety of standard configurations, including pillow blocks and flanges. Rubbing lip seals are standard on all units.



D-LOK

Type E Family

Specialty Tapered

S-2000

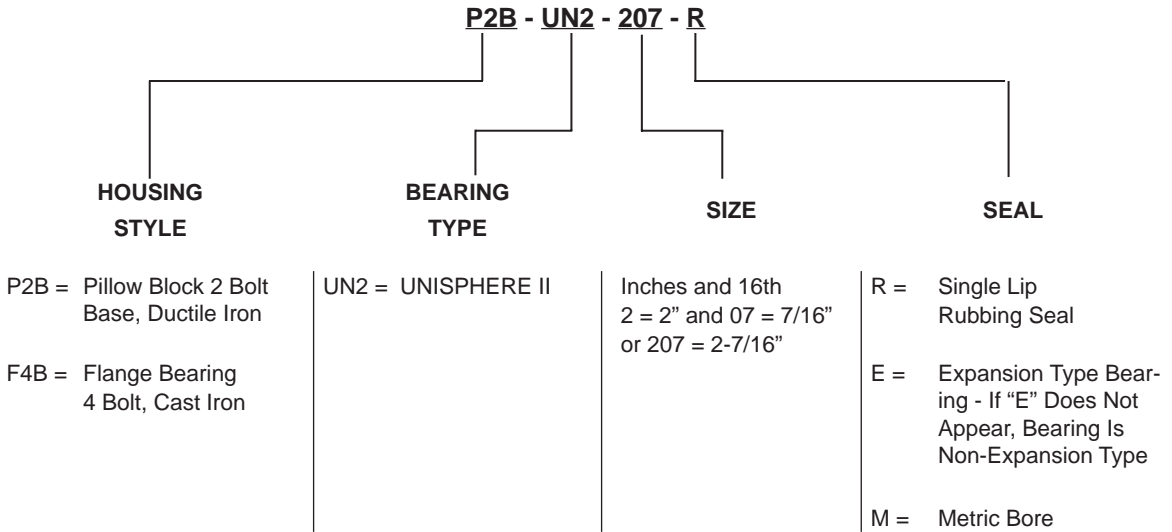
UNISPHERE II

FEATURES/BENEFITS PAGE B9- 3	NOMENCLATURE PAGE B9- 5	SELECTION PAGE B9- 6	DIMENSIONS PAGE B9- 16
---------------------------------	----------------------------	-------------------------	---------------------------

# NOMENCLATURE



## UNISPHERE II INCH



D-LOK

Type E Family

Speciality Tapered

S-2000

UNISPHERE II

FEATURES/BENEFITS PAGE B9- 3	SPECIFICATION PAGE B9- 4	SELECTION PAGE B9- 6	DIMENSIONS PAGE B9- 16
---------------------------------	-----------------------------	-------------------------	---------------------------



# SELECTION

## UNISPHERE II SPHERICAL ROLLER BEARINGS

DODGE Unitized Spherical Roller Bearings have the capacity to carry heavy radial loads and combined radial and thrust loads. The maximum recommended load which can be applied is limited by various components in the system such as bearing, housing, shaft, shaft attachment, speed and life requirements as listed in this catalog. DODGE spherical roller bearings have been applied successfully even when these limits have been exceeded under controlled operating conditions. Contact DODGE Application Engineering (864-281-2195) for applications which exceed the recommendations of this catalog.

$L_{10}$  Hours Life - The life which may be expected from at least 90% of a given group of bearings operating under identical conditions.

$$L_{10} \text{ Life, Hours} = \left(\frac{C}{P}\right)^{10/3} \times \left(\frac{16667}{\text{RPM}}\right)$$

Where: C = Dynamic Capacity (Table 1 on page B9-9) lbs.

P = Equivalent Radial Load, lbs.

### GENERAL

**Heavy Service** - For heavy shock loads, frequent shock loads, or severe vibrations, add up to 50% (according to severity of conditions) to the Equivalent Radial Load to obtain a Modified Equivalent Radial Load. Consult DODGE Application Engineering for additional selection assistance.

Thrust load values shown in the table below are recommended as a guide for general applications that will give adequate  $L_{10}$  life. Spherical bearings require a radial load at least equal to the thrust load for proper operation. If the thrust load exceeds this limit, consult Application Engineering. Where substantial radial load is also present, it is advisable to calculate actual  $L_{10}$  life to assure that it meets the requirements. The effectiveness of the shaft attachment to carry thrust load depends on

proper tightening of the set screws, shaft tolerance and shaft deflections. Therefore, it is advisable to use auxiliary thrust carrying devices such as shaft shoulder, snap ring or a thrust collar to locate the bearing under thrust loads heavier than shown below, or where extreme reliability is desired.

RPM	20-200	201 - 2000	Over 2000
RECOMMENDED THRUST LOAD	C/20	C/40	C/60

The shaft tolerances recommended below are adequate for normal radial and radial/thrust load applications. The radial load is limited by the attachment to the shaft (see Table 1 on page B9-9). Where the applied radial load (FR) exceeds this limit (maximum allowable slip fit radial load), a snug-to-light press fit of the shaft is required. Since the allowable load, especially at a low speed, is very large, the shaft should be checked to assure adequate shaft strength.

The magnitude and direction of both the thrust and radial load must be taken into account when selecting a housing. **When pillow blocks are utilized, heavy loads should be directed through the base. Where uplift loads are involved, see Table 7 on page B9-14 for maximum values.** Where a load pulls the housing away from the mounting base, both the hold-down bolts and housing must be of adequate strength. Auxiliary load carrying devices such as shear bars are advisable for side or end loading of pillow blocks and radial loads for flange units.

SHAFT TOLERANCES	
SHAFT SIZE	S-2000
UP TO 1-1/2"	+0.0000 -0.0005"
1-9/16 TO 4"	+0.000 -0.001"
4-7/16 TO 5"	+0.000 -0.0015"

FEATURES/BENEFITS PAGE B9- 3	SPECIFICATION PAGE B9- 4	NOMENCLATURE PAGE B9- 5	DIMENSIONS PAGE B9- 16
---------------------------------	-----------------------------	----------------------------	---------------------------



# SELECTION



## UNISPHERE II BEARING SUPPORTING RADIAL LOADS ONLY

1. Define  $L_{10}$  Life Hours desired.
2. Establish bearing radial load,  $F_R$   
( $F_R = P$  for Pure Radial Load Conditions). The DODGE program BEST™\* can be used to find application loads.
3. Establish RPM.

Using the easy selection Table 1 on page B9- 9 , find, under the RPM column, the equivalent radial load that equals or is slightly higher than the application radial load for the desired life. The shaft size on the far left will be the minimum shaft size that you can use for your application.

If the desired life is different than the values shown on the chart, use alternate Method A shown below.

- Example: 1.  $L_{10}$  Life = 30,000 Hours  
 2. Radial load = 4000 lbs.  
 3. RPM = 1,000

At the intersection of the 1,000 RPM column and the 30,000 hours  $L_{10}$  life row, the equivalent radial load of 4011 lbs. exceeds the 4000 lbs. radial load for shaft size 2-7/16". A bearing with bore 2-7/16", or larger, may be used for this application.

### ALTERNATE METHOD A - SELECTING A BEARING FOR AN $L_{10}$ LIFE VALUE NOT SHOWN IN THE EASY SELECTION CHART.

The  $L_{10}$  life equation can be rearranged so that the bearing dynamic capacity  $C$  is identified in terms of  $L_{10}$ , RPM and  $P$

$$C = \left( \frac{L_{10} \times \text{RPM}}{16667} \right)^{0.3} \times P$$

( $P = F_R$  for Pure Radial Load Conditions)

Since the  $L_{10}$ , RPM and  $P$  are known, solve for  $C$ . Select from the dynamic capacity column on Table 1 on page B9-9 the  $C$  value equal to or greater than the  $C$  value just calculated. The bore size on the far left represents the proper bore size selection. Check that the application RPM does not exceed the MAX. RPM on Table 1 on page B9-9 . Also check that the radial load does not exceed the Maximum Allowable Slip Fit Radial Load shown on Table 1. If it does, a line-to-line to light press fit of shaft is required. When selecting an  $L_{10}$  life of less than 30,000 hours, particular attention must be paid to shaft deflection and proper lubricant selection.

### SELECTING BEARINGS SUPPORTING COMBINATION RADIAL AND THRUST LOADS

When a bearing supports both a radial load and a thrust load, the loading on the two rows is shared unequally depending on the ratio of thrust to radial load. The use of the  $X$  (radial factor) and  $Y$  (thrust factor) from Table 1 converts the applied thrust load and radial loads to an equivalent radial load having the same effect on the life of the bearing as a radial load of this magnitude.

$$\text{The equivalent radial load } P = XF_R + YF_A$$

Where:

- $P$  = Equivalent radial load, lbs.
- $F_R$  = Radial load, lbs. (see Table 1 for allowable slip fit maximum load)
- $F_A$  = Thrust (axial) load, lbs.
- $e$  = Thrust load to radial load factor (Table 1)★
- $X$  = Radial load factor (Table 1)★
- $Y$  = Thrust load factor (Table 1)★

★ The DODGE Bearing Evaluation and Selection Technique (BEST) is a menu driven computer program that calculates bearing loads, fatigue life and operating temperature for a two bearing shaft system based on user supplied input parameters. This interactive web based program is available at [www.dodgept.com](http://www.dodgept.com). Use PT Wizard on line under the tools drop down box.

FEATURES/BENEFITS PAGE B9- 3	SPECIFICATION PAGE B9- 4	NOMENCLATURE PAGE B9- 5	DIMENSIONS PAGE B9- 16
---------------------------------	-----------------------------	----------------------------	---------------------------



# SELECTION

## UNISPHERE II

To find X and Y, calculate  $F_A/F_R$  and compare to **e** for the selected bore size. Determine X and Y from Table 1 on page B9- 9 depending on whether  $F_A/F_R$  is equal to or less than **e**, or  $F_A/F_R$  is greater than **e**. Substitute all known values into the equivalent radial load equation. P (equivalent radial load) can be used in the life formula to determine  $L_{10}$ , or it can be compared to the allowable equivalent radial load ratings for the speed and hours life desired in the easy selection Table 2 on page B9- 10.

special greases must be used. Contact DODGE Application Engineering (864-284-5700). DODGE engineers will recommend bearings and lubricants for the above unusual conditions. DODGE also has the expertise to custom design and build special bearings for your needs. The only maintenance requirement for DODGE Unitized roller bearings is periodic relubrication at regular intervals as outlined in the appropriate instruction manuals.

### SELECTING BEARINGS SUPPORTING ONLY THRUST LOADS

Spherical Roller Bearings generally are not recommended for pure thrust load applications. However, they will perform satisfactorily under very light pure thrust loads. Consult DODGE Application Engineering (864-281-2195).

### MISALIGNMENT CONSIDERATIONS

In nearly all applications, good design practice requires two bearings supporting the shaft. In cases where three or more bearings are installed, unless precautions are taken to line the bearings up both vertically and horizontally, it is possible to induce heavy loads. In the case of two bearings, alignment is not as critical, especially with DODGE Unitized Spherical Roller Bearings. UNISPHERE II bearings are designed to allow a maximum of  $\pm 1^\circ$  of static and dynamic misalignment. However, for optimum seal performance, misalignment should be kept under  $\pm 0.5^\circ$ . To ensure good alignment, mounting surfaces must be checked for flatness and must lie in the same plane. When tightening base bolts, each bolt should be alternately tightened in incremental torque values until full torque is achieved to prevent the angular shifting of the pillow block that occurs when one bolt is tightened to its full torque. Shimming may be required to minimize misalignment.

### SELECTING LUBRICATION

DODGE UNISPHERE II spherical roller bearings are lubricated at the factory with Mobilith AW2 grease. Mobilith AW2 grease is a superior industrial grease using a lithium complex thickener and highly refined base oil. This grease will adequately handle low and medium speeds with low and medium loads at normal temperatures as defined on Table 6 on page B9- 13. For very low and high speeds, for heavy loads and for low and high temperatures,

D-LOK

Type E Family

Specialty Tapered

S-2000

UNISPHERE II

FEATURES/BENEFITS PAGE B9- 3	SPECIFICATION PAGE B9- 4	NOMENCLATURE PAGE B9- 5	DIMENSIONS PAGE B9- 16
---------------------------------	-----------------------------	----------------------------	---------------------------

# SELECTION



## UNISPHERE II

Table 1: UNISPHERE II Spherical Roller Bearings Radial And Thrust Factors

SHAFT SIZE INCH	BASIC BEARING DESCRIPTION	e	FA/FR ≤ e		FA/FR ≥ e		MAX. ALLOW. SLIP FIT RADIAL LOAD FR* LBS.	DYNAMIC CAPACITY (C) LBS.	STATIC CAPACITY Co	MAXIMUM RPM
			X	Y	X	Y				
1-1/8 1-3/16 1-1/4 1-3/8 1-7/16 1-1/2	22208	.28	1	2.4	.67	3.6	3,750	20,800	21,000	3,000
1-5/8 1-11/16 1-3/4	22209	.26	1	2.6	.67	3.9	3,750	20,800	22,000	2,800
1-7/8 1-15/16 2	22210	.24	1	2.8	.67	4.2	4,000	22,000	24,000	2,625
2-3/16 2-1/4	22211	.23	1	2.9	.67	4.3	4,860	27,000	29,000	2,325
2-3/8 2-7/16 2-1/2	22213	.24	1	2.8	.67	4.2	6,840	39,000	47,500	1,900
2-11/16 2-3/4 2-15/16 3	22215	.22	1	3.1	.67	4.6	7,500	41,500	53,000	1,700
3-3/16 3-1/4 3-7/16 3-1/2	22218	.23	1	2.9	.67	4.3	11,500	65,500	81,500	1,400
3-11/16 3-15/16 4	22220	.24	1	2.8	.67	4.2	14,400	83,000	104,000	1,250

\* If load exceeds "Max. allowable slip fit load," line to line to light press fit of shaft required. Maximum slip fit radial loads apply if recommended shaft sizes are used.

FEATURES/BENEFITS PAGE B9- 3	SPECIFICATION PAGE B9- 4	NOMENCLATURE PAGE B9- 5	DIMENSIONS PAGE B9- 16
---------------------------------	-----------------------------	----------------------------	---------------------------



# SELECTION



## UNISPHERE II

**Table 2: UNISPHERE II Metric Spherical Roller Bearing**

SHAFT MM	BASIC BEARING DESCRIPTION	e	FA/FR ≤ e		FA/FR ≥ e		MAX. ALLOW. SLIP FIT RADIAL LOAD FR* kN	DYNAMIC CAPACITY (C) kN	MAXIMUM RPM
			X	Y	X	Y			
30 35	22208	0.28	1	2.4	0.67	3.6	17	93	3000
40 45	22209	0.26	1	2.6	0.67	3.9	17	93	2800
50	22210	0.24	1	2.8	0.67	4.2	18	98	2625
55	22211	0.23	1	2.9	0.67	4.3	22	120	2325
60 65	22213	0.24	1	2.8	0.67	4.2	30	169	1900
70 75	22215	0.22	1	3.1	0.67	4.6	33	185	1700
80 85 90	22218	0.23	1	2.9	0.67	4.3	51	285	1400

\* If load exceeds "Max. allowable slip fit load," line to line to light press fit of shaft required. Maximum slop fit radial loads apply if recommended shaft sizes are used.

D-LOK

Type E Family

Specialty Tapered

S-2000

UNISPHERE II

FEATURES/BENEFITS PAGE B9- 3	SPECIFICATION PAGE B9- 4	NOMENCLATURE PAGE B9- 5	DIMENSIONS PAGE B9- 16
---------------------------------	-----------------------------	----------------------------	---------------------------

# SELECTION



## UNISPHERE II

**Table 3: Easy Selection Table for UNISPHERE Double Row Spherical Roller Bearings**

Shaft Size Inches	L10 Life Hours	Allowable Equivalent Radial Load Rating (lbs.) at Various Revolutions per Minute														
		50	100	150	250	500	870	1,020	1,250	1,400	1,700	1,900	2,325	2,625	2,800	3000
1-3/8 to 1-1/2	10,000	7,498	6,090	5,393	4,626	3,758	3,182	3,034	2,855	2,759	2,603	2,518	2,370	2,285	2,241	2,195
	30,000	5,393	4,380	3,878	3,327	2,703	2,289	2,182	2,053	1,984	1,872	1,811	1,704	1,643	1,612	1,579
	40,000	4,947	4,018	3,558	3,052	2,479	2,100	2,002	1,883	1,820	1,717	1,661	1,563	1,508	1,479	1,448
	60,000	4,380	3,558	3,150	2,703	2,195	1,859	1,773	1,668	1,612	1,521	1,471	1,384	1,335	1,309	1,282
	100,000	3,758	3,052	2,703	2,319	1,883	1,595	1,521	1,431	1,383	1,305	1,262	1,188	1,145	1,123	1,100
1-11/16 to 1-3/4	10,000	7,498	6,090	5,393	4,626	3,758	3,182	3,034	2,855	2,759	2,603	2,518	2,370	2,285	2,241	2,195
	30,000	5,393	4,380	3,878	3,327	2,703	2,289	2,182	2,053	1,984	1,872	1,811	1,704	1,643	1,612	1,579
	40,000	4,947	4,018	3,558	3,052	2,479	2,100	2,002	1,883	1,820	1,717	1,661	1,563	1,508	1,479	1,448
	60,000	4,380	3,558	3,150	2,703	2,195	1,859	1,773	1,668	1,612	1,521	1,471	1,384	1,335	1,309	1,282
	100,000	3,758	3,052	2,703	2,319	1,883	1,595	1,521	1,431	1,383	1,305	1,262	1,188	1,145	1,123	1,100
1-15/16 to 2	10,000	7,930	6,441	5,704	4,893	3,975	3,366	3,209	3,019	2,918	2,753	2,663	2,506	2,417		
	30,000	5,704	4,633	4,102	3,519	2,859	2,421	2,308	2,172	2,099	1,980	1,915	1,803	1,738		
	40,000	5,232	4,250	3,763	3,228	2,622	2,221	2,117	1,992	1,925	1,817	1,757	1,654	1,595		
	60,000	4,633	3,763	3,332	2,859	2,322	1,966	1,875	1,764	1,705	1,608	1,556	1,464	1,412		
	100,000	3,975	3,228	2,859	2,452	1,992	1,687	1,608	1,513	1,463	1,380	1,335	1,256	1,211		
2-3/16	10,000	9,733	7,905	7,000	6,005	4,878	4,131	3,939	3,706	3,582	3,379	3,268	3,076			
	30,000	7,000	5,686	5,035	4,319	3,508	2,971	2,833	2,665	2,576	2,430	2,350	2,212			
	40,000	6,421	5,216	4,618	3,962	3,218	2,726	2,599	2,445	2,363	2,229	2,156	2,029			
	60,000	5,686	4,618	4,089	3,508	2,850	2,413	2,301	2,165	2,092	1,974	1,909	1,797			
	100,000	4,878	3,962	3,508	3,010	2,445	2,070	1,974	1,857	1,795	1,694	1,638	1,542			
2-7/16 to 2-1/2	10,000	14,058	11,419	10,111	8,674	7,046	5,967	5,689	5,352	5,173	4,881	4,721				
	30,000	10,111	8,213	7,272	6,239	5,068	4,292	4,092	3,850	3,721	3,510	3,395				
	40,000	9,275	7,534	6,671	5,723	4,649	3,937	3,753	3,531	3,413	3,220	3,114				
	60,000	8,213	6,671	5,907	5,068	4,116	3,486	3,324	3,127	3,022	2,851	2,758				
	100,000	7,046	5,723	5,068	4,348	3,531	2,991	2,851	2,683	2,593	2,446	2,366				
2-11/16 to 3	10,000	14,959	12,151	10,759	9,230	7,497	6,350	6,054	5,696	5,505	5,194					
	30,000	10,759	8,739	7,738	6,639	5,392	4,567	4,354	4,096	3,959	3,735					
	40,000	9,870	8,017	7,098	6,090	4,946	4,189	3,994	3,758	3,632	3,427					
	60,000	8,739	7,098	6,285	5,392	4,380	3,709	3,537	3,327	3,216	3,034					
	100,000	7,497	6,090	5,392	4,626	3,758	3,182	3,034	2,855	2,759	2,603					
3-7/16 to 3-1/2	10,000	23,611	19,178	16,981	14,569	11,833	10,022	9,555	8,989	8,689						
	30,000	16,981	13,793	12,213	10,478	8,511	7,208	6,872	6,465	6,249						
	40,000	15,577	12,653	11,203	9,612	7,807	6,612	6,304	5,931	5,732						
	60,000	13,793	11,203	9,920	8,511	6,913	5,855	5,582	5,251	5,076						
	100,000	11,833	9,612	8,511	7,302	5,931	5,023	4,789	4,505	4,355						
3-15/16 to 4	10,000	29,919	24,302	21,518	18,461	14,995	12,699	12,108	11,391							
	30,000	21,518	17,478	15,476	13,278	10,785	9,134	8,708	8,193							
	40,000	19,739	16,033	14,197	12,180	9,893	8,378	7,988	7,515							
	60,000	17,478	14,197	12,571	10,785	8,760	7,419	7,073	6,655							
	100,000	14,995	12,180	10,785	9,252	7,515	6,365	6,068	5,709							

In the light shaded area, a line-to-line to light press fit on the shaft is required.

FEATURES/BENEFITS PAGE B9- 3	SPECIFICATION PAGE B9- 4	NOMENCLATURE PAGE B9- 5	DIMENSIONS PAGE B9- 16
---------------------------------	-----------------------------	----------------------------	---------------------------



# SELECTION



## UNISPHERE II

**Table 4: Easy Selection Table for Metric UNISPHERE Double Row Spherical Roller Bearings**

Shaft Size mm	L10 Life Hours	Allowable Equivalent Radial Load Rating (Newtons) at Various Revolutions per Minute														
		50	100	150	250	500	870	1,020	1,250	1,400	1,700	1,900	2,325	2,625	2,800	3000
30 35	10,000	33,365	27,101	23,997	20,587	16,722	14,162	13,502	12,703	12,278	11,584	11,204	10,545	10,168	9,973	9,769
	30,000	23,997	19,492	17,259	14,807	12,027	10,186	9,711	9,136	8,831	8,331	8,058	7,584	7,313	7,173	7,026
	40,000	22,013	17,880	15,832	13,583	11,032	9,343	8,908	8,381	8,101	7,642	7,392	6,957	6,709	6,580	6,445
	60,000	19,492	15,832	14,019	12,027	9,769	8,273	7,888	7,421	7,173	6,767	6,545	6,160	5,940	5,826	5,707
	100,000	16,722	13,583	12,027	10,318	8,381	7,098	6,767	6,367	6,154	5,806	5,615	5,285	5,096	4,998	4,896
40 45	10,000	33,350	27,089	23,986	20,578	16,715	14,156	13,496	12,697	12,273	11,578	11,198	10,540	10,164	9,969	
	30,000	23,986	19,483	17,251	14,800	12,021	10,181	9,707	9,132	8,827	8,327	8,054	7,581	7,310	7,170	
	40,000	22,003	17,872	15,825	13,576	11,027	9,339	8,904	8,377	8,097	7,639	7,388	6,954	6,705	6,577	
	60,000	19,483	15,825	14,012	12,021	9,764	8,270	7,884	7,418	7,170	6,764	6,542	6,158	5,937	5,824	
	100,000	16,715	13,576	12,021	10,313	8,377	7,095	6,764	6,364	6,151	5,803	5,613	5,283	5,094	4,996	
50	10,000	35,290	28,664	25,381	21,775	17,687	14,979	14,281	13,436	12,987	12,252	11,850	11,154	10,755		
	30,000	25,381	20,616	18,255	15,661	12,721	10,773	10,271	9,663	9,340	8,812	8,523	8,022	7,735		
	40,000	23,283	18,911	16,745	14,366	11,669	9,883	9,422	8,864	8,568	8,083	7,818	7,359	7,096		
	60,000	20,616	16,745	14,828	12,721	10,333	8,751	8,343	7,849	7,587	7,158	6,923	6,516	6,283		
	100,000	17,687	14,366	12,721	10,913	8,864	7,507	7,158	6,734	6,509	6,141	5,939	5,590	5,390		
55	10,000	43,291	35,163	31,136	26,712	21,697	18,375	17,519	16,482	15,931	15,030	14,536	13,682			
	30,000	31,136	25,290	22,394	19,212	15,605	13,216	12,600	11,854	11,458	10,810	10,455	9,841			
	40,000	28,561	23,199	20,542	17,623	14,315	12,123	11,558	10,874	10,511	9,916	9,591	9,027			
	60,000	25,290	20,542	18,189	15,605	12,675	10,735	10,234	9,629	9,307	8,780	8,492	7,993			
	100,000	21,697	17,623	15,605	13,388	10,874	9,209	8,780	8,261	7,984	7,533	7,286	6,857			
60 65	10,000	62,531	50,791	44,974	38,584	31,340	26,542	25,305	23,807	23,012	21,710	20,997				
	30,000	44,974	36,530	32,346	27,750	22,540	19,089	18,200	17,123	16,551	15,614	15,102				
	40,000	41,255	33,510	29,672	25,456	20,677	17,511	16,695	15,707	15,182	14,323	13,853				
	60,000	36,530	29,672	26,273	22,540	18,308	15,505	14,783	13,908	13,443	12,683	12,266				
	100,000	31,340	25,456	22,540	19,338	15,707	13,302	12,683	11,932	11,533	10,881	10,524				
70 75	10,000	66,539	54,047	47,857	41,057	33,349	28,243	26,927	25,334	24,487	23,101					
	30,000	47,857	38,872	34,420	29,529	23,985	20,313	19,367	18,221	17,611	16,615					
	40,000	43,900	35,658	31,574	27,088	22,002	18,634	17,765	16,714	16,155	15,241					
	60,000	38,872	31,574	27,957	23,985	19,482	16,499	15,731	14,800	14,305	13,496					
	100,000	33,349	27,088	23,985	20,577	16,714	14,155	13,496	12,697	12,272	11,578					
80 85 90	10,000	105,020	85,303	75,533	64,801	52,635	44,577	42,499	39,984	38,648						
	30,000	75,533	61,352	54,325	46,606	37,856	32,061	30,567	28,758	27,796						
	40,000	69,287	56,279	49,833	42,753	34,726	29,410	28,039	26,380	25,498						
	60,000	61,352	49,833	44,126	37,856	30,749	26,041	24,828	23,358	22,578						
	100,000	52,635	42,753	37,856	32,477	26,380	22,341	21,300	20,040	19,370						

In the light shaded area, a line-to-line to light press fit on the shaft is required.

FEATURES/BENEFITS PAGE B9- 3	SPECIFICATION PAGE B9- 4	NOMENCLATURE PAGE B9- 5	DIMENSIONS PAGE B9- 16
---------------------------------	-----------------------------	----------------------------	---------------------------

D-LOK

Type E Family

Specialty Tapered

S-2000

UNISPHERE II

# SELECTION



## UNISPHERE II

**Table 5: UNISPHERE II Maximum Axial Expansion - Inch And Metric**

BORE SIZE INCHES	MAXIMUM EXPANSION INCHES
1-7/16 to 1-1/2	5/32
1-11/16 to 1-3/4	5/32
1-15/16 to 2	5/32
2-3/16	5/32
2-7/16 to 2-1/2	3/16
2-11/16 to 3	3/16
3-7/16 to 3-1/2	3/16
3-15/16 to 4	7/32

BORE SIZE mm	MAXIMUM EXPANSION mm
-	-
40, 45	3.9
50, 55	3.9
60, 65	4.7
70, 75	4.7
80, 85, 90	4.7

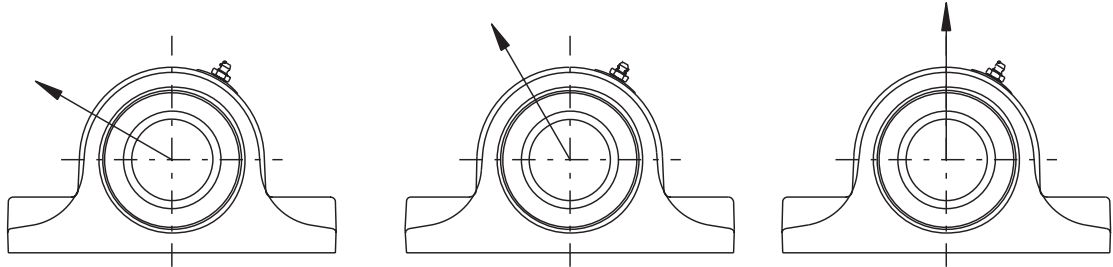
**Table 6: Definition Of Operating Conditions For Unitized Spherical Roller Bearings**

LOW SPEED MEDIUM SPEED HIGH SPEED	UP TO 20% OF MAX. RPM (TABLE 1) OVER 20% TO 80% OF MAX. RPM OVER 80% OF MAX. RPM
LIGHT LOAD NORMAL LOAD HEAVY LOAD	UP TO 8% OF C (TABLE 1) OVER 8% TO 18% OF C OVER 18% OF C C = DYNAMIC CAPACITY
LOW TEMPERATURE MEDIUM TEMPERATURE HIGH TEMPERATURE	20°F TO -100°F OVER 20°F TO 200°F OVER 200°F TO 400°F

FEATURES/BENEFITS PAGE B9- 3	SPECIFICATION PAGE B9- 4	NOMENCLATURE PAGE B9- 5	DIMENSIONS PAGE B9- 16
---------------------------------	-----------------------------	----------------------------	---------------------------



## UNISPHERE II



**Table 7: UNISPHERE II Housing Ratings, Ductile\***

Bore Size	Pillow Block Designation	Max. Recommended Housing Cap Loads		
		P120 lb	P150 lb	P180 lb
1-1/8 to 1-1/2	UN2107	5500	6750	8000
1-5/8 to 1-3/4	UN2111	6800	8600	10000
1-7/8 to 2	UN2115	8000	9900	11700
2-3/16 to 2-1/4	UN2203	10200	12500	14800
2-3/8 to 2-1/2	UN2207	10200	12400	14900
2-11/16 to 3	UN2215	12900	15900	18900
3-3/16 to 3-1/2	UN2307	11900	14600	17400
3-11/16 to 4	UN2315	16900	20800	24600

\* When utilizing heavy cap loads on pillow block housings, the installation must adhere to the following procedures:

1. The pillow block base bolts must be of **high strength (Grade 8) bolts and properly tightened** to mounting structure.
2. Stop bars (shear strips) should be used against the plummer block where side loads are encountered.
3. In all cases where loads are heavy, the L10 life of the bearing should be checked for proper selection and life requirements.

FEATURES/BENEFITS PAGE B9- 3	SPECIFICATION PAGE B9- 4	NOMENCLATURE PAGE B9- 5	DIMENSIONS PAGE B9- 16
---------------------------------	-----------------------------	----------------------------	---------------------------





## UNISPHERE II

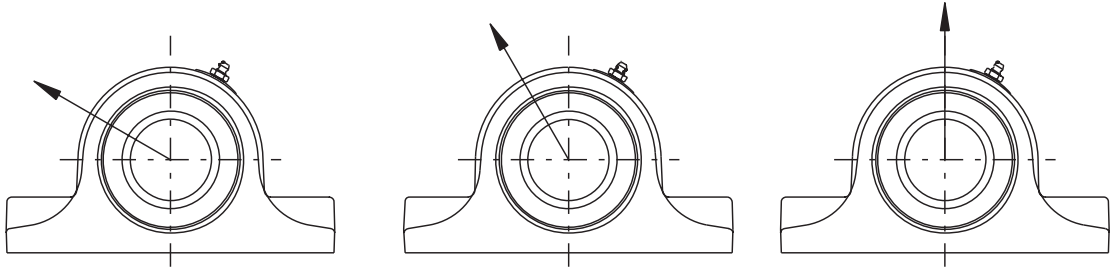
D-LOK

Type E Family

Speciality Tapered

S-2000

UNISPHERE II



**Table 8: Metric UNISPHERE II Housing Ratings, Ductile\***

Plummer Block Designation	Max. Recommended Housing Cap Loads		
	P120 kN	P150 kN	P180 kN
UN2040M	31	37	44
UN2045M	31	37	44
UN2050M	35	44	52
UN2055M	45	55	65
UN2060M	45	55	66
UN2065M	45	55	66
UN2070M	57	70	84
UN2075M	57	70	84
UN2080M	53	65	77
UN2085M	53	65	77
UN2090M	53	65	77

\* When utilizing heavy cap loads on plummer block housings, the installation must adhere to the following procedures:

1. The plummer block base bolts must be of high strength (Grade 10.9) and properly tightened to mounting structure.
2. Stop bars (shear strips) should be used against the plummer block where side loads are encountered.
3. In all cases where loads are heavy, the L10 life of the bearing should be checked for proper selection and life requirements.

**NOTE:** To convert kN to pounds-force, multiply kN by a factor of 225.+

FEATURES/BENEFITS PAGE B9- 3	SPECIFICATION PAGE B9- 4	NOMENCLATURE PAGE B9- 5	DIMENSIONS PAGE B9- 16
---------------------------------	-----------------------------	----------------------------	---------------------------



# DIMENSIONS



## UNISPHERE II Pillow Block - Inch

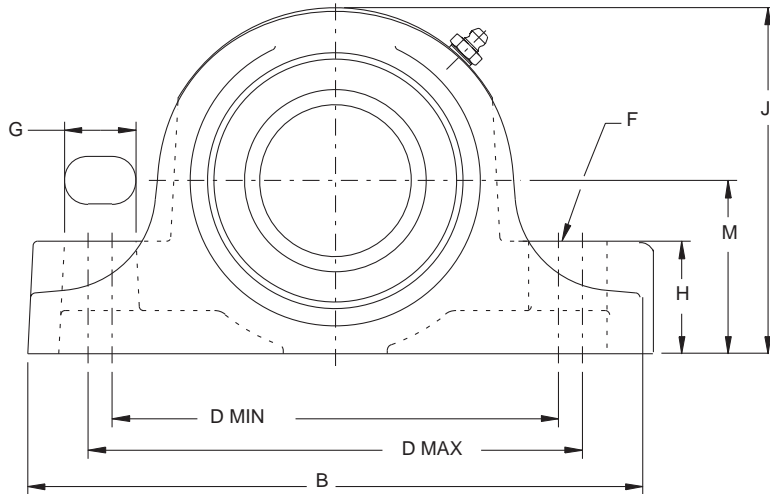
D-LOK

Type E Family

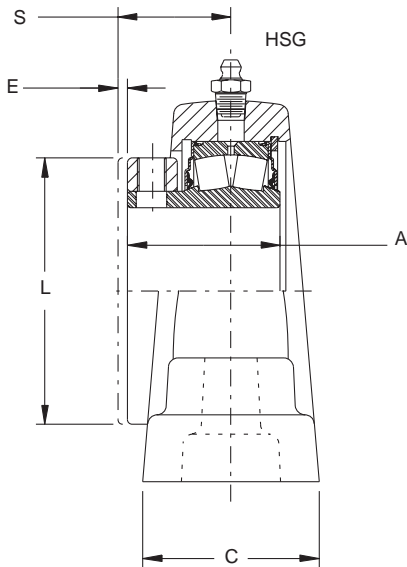
Specialty Tapered

S-2000

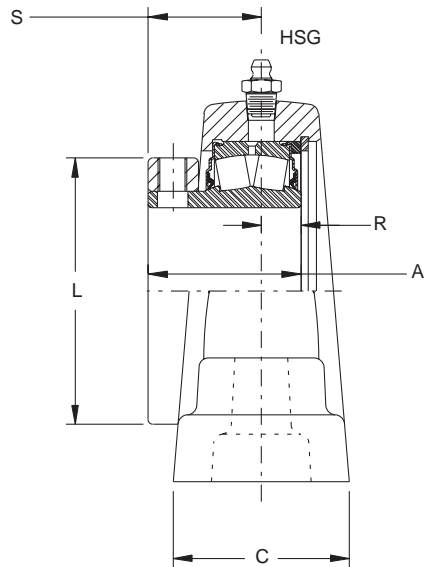
UNISPHERE II



**NOTE:** All sizes use a 1/8-27 NPT hydraulic grease fitting



EXPANSION



NON-EXPANSION

FEATURES/BENEFITS PAGE B9- 3	SPECIFICATION PAGE B9- 4	NOMENCLATURE PAGE B9- 5	SELECTION PAGE B9- 6
---------------------------------	-----------------------------	----------------------------	-------------------------

# DIMENSIONS



## UNISPHERE II Pillow Block - Inch

Bearing	Shaft Size Inch Δ	NON-EXPANSION*		EXPANSION		Approx. Wt. Lbs.
		PART NO.	PART NAME	PART NO.	PART NAME	
22208	1-7/16	<b>048000</b>	P2B-UN2-107	<b>048017</b>	P2B-UN2-107E	5.5
	1-1/2	<b>048001</b>	P2B-UN2-108	<b>048018</b>	P2B-UN2-108E	5.4
22209	1-11/16	<b>048002</b>	P2B-UN2-111	<b>048019</b>	P2B-UN2-111E	6.9
	1-3/4	<b>048003</b>	P2B-UN2-112	<b>048020</b>	P2B-UN2-112E	6.8
22210	1-15/16	<b>048004</b>	P2B-UN2-115	<b>048021</b>	P2B-UN2-115E	8.0
	2	<b>048005</b>	P2B-UN2-200	<b>048022</b>	P2B-UN2-200E	7.6
22211	2-3/16	<b>048006</b>	P2B-UN2-203	<b>048023</b>	P2B-UN2-203E	9.8
22213	2-7/16	<b>048007</b>	P2B-UN2-207	<b>048024</b>	P2B-UN2-207E	13.6
	2-1/2	<b>048008</b>	P2B-UN2-208	<b>048025</b>	P2B-UN2-208E	13.4
22215	2-11/16	<b>048009</b>	P2B-UN2-211	<b>048026</b>	P2B-UN2-211E	19.3
	2-3/4	<b>048010 †</b>	P2B-UN2-212	<b>048027 †</b>	P2B-UN2-212E	19.0
	2-15/16	<b>048011</b>	P2B-UN2-215	<b>048028</b>	P2B-UN2-215E	18.2
	3	<b>048012</b>	P2B-UN2-300	<b>048029</b>	P2B-UN2-300E	18.1
22218	3-7/16	<b>048013</b>	P2B-UN2-307	<b>048030</b>	P2B-UN2-307E	28.4
	3-1/2	<b>048014 †</b>	P2B-UN2-308	<b>048031 †</b>	P2B-UN2-308E	27.0
22220	3-15/16	<b>048015</b>	P2B-UN2-315	<b>048032</b>	P2B-UN2-315E	37.4
	4	<b>048016 †</b>	P2B-UN2-400	<b>048033 †</b>	P2B-UN2-400E	37.0

† Assembled to order. Consult DODGE for delivery.

Δ Consult DODGE for sizes not listed.

\* Furnished unless otherwise specified.

### UNISPHERE II - Pillow Block - Dimensions ●

Shaft Size Inch	A	B	C	D		E Total Exp.	F Bolt Dia.	G	H	J	L	M	R	S
				Min.	Max.									
1-7/16 1-1/2	1-11/16	6-7/8	1-61/64	4-11/16	5-1/2	5/32	1/2	31/32	1-3/16	3-7/8	2-3/4	1-7/8	1/2	1-3/16
1-11/16 1-3/4	1-29/32	7-3/8	2-1/16	5-3/16	5-7/8	5/32	1/2	29/32	1-5/16	4-1/4	3	2-1/8	15/32	1-7/16
1-15/16 2	1-29/32	8-3/8	2-1/16	5-15/16	6-11/16	5/32	5/8	1-1/16	1-3/8	4-9/16	3-1/4	2-1/4	15/32	1-7/16
2-3/16	2	8-7/8	2-5/16	6-7/16	7-1/8	5/32	5/8	1-1/32	1-5/8	5	3-1/2	2-1/2	33/64	1-31/64
2-7/16 2-1/2	2-13/64	9-1/4	2-9/16	6-13/16	7-7/16	3/16	5/8	1	1-3/4	5-11/16	4-1/16	2-3/4	21/32	1-35/64
2-11/16 2-3/4 2-15/16 3	2-29/64	10-7/16	2-9/16	7-13/16	8-7/16	3/16	3/4	1-1/8	2-1/4	6-7/16	4-23/32	3-1/4	49/64	1-11/16
3-7/16 3-1/2	2-55/64	13	2-13/16	9-1/4	10-3/4	3/16	7/8	1-11/16	2-1/4	7-1/2	5-1/2	3-3/4	15/16	1-29/32
3-15/16 4	3-21/64	14-1/4	3-5/16	10	11-7/8	7/32	1	2	2-1/2	8-7/16	6-15/32	4-1/8	1-1/8	2-3/16

● Dimensions shown are for non-expansion units. The expansion bearing center and housing center are on the same centerline.

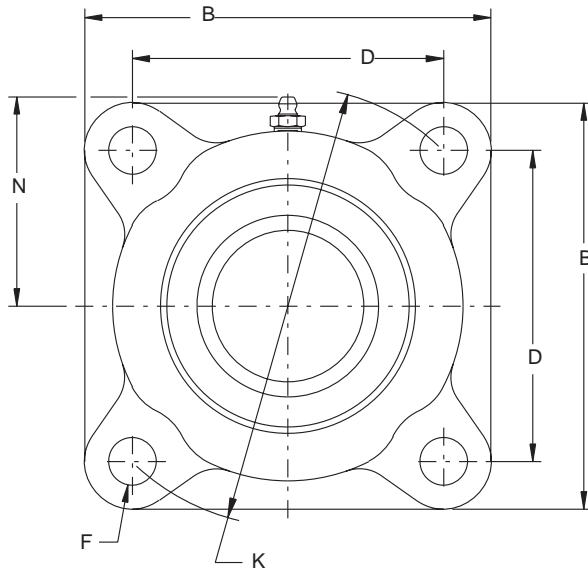
FEATURES/BENEFITS PAGE B9- 3	SPECIFICATION PAGE B9- 4	NOMENCLATURE PAGE B9- 5	SELECTION PAGE B9- 6
---------------------------------	-----------------------------	----------------------------	-------------------------



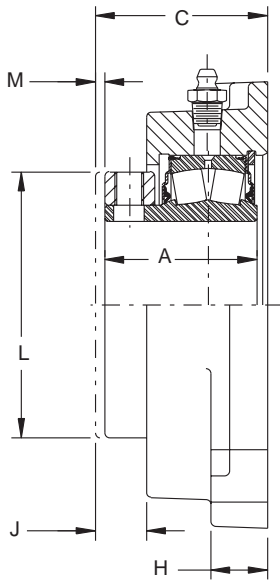
# DIMENSIONS



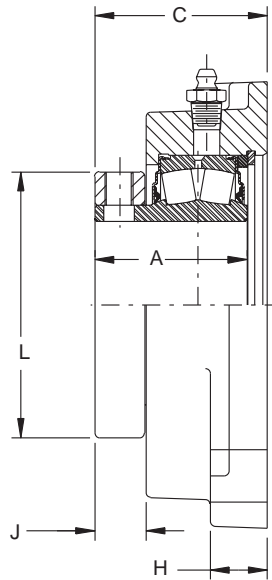
## UNISPHERE II Flange Bearing - Inch 4-BOLT



**NOTE:** All sizes use a 1/8-27 NPT hydraulic grease fitting



EXPANSION



NON-EXPANSION

D-LOK

Type E Family

Specialty Tapered

S-2000

UNISPHERE II

FEATURES/BENEFITS PAGE B9- 3	SPECIFICATION PAGE B9- 4	NOMENCLATURE PAGE B9- 5	SELECTION PAGE B9- 6
---------------------------------	-----------------------------	----------------------------	-------------------------

# DIMENSIONS



## UNISPHERE II Flange Bearing - Inch 4-BOLT

Bearing	Shaft Size Inch	NON-EXPANSION*		EXPANSION		Approx. Wt. Lbs.
		PART NO.	PART NAME	PART NO.	PART NAME	
22208	1-7/16	<b>048034</b>	F4B-UN2-107	<b>048051</b>	F4B-UN2-107E	5.20
	1-1/2	<b>048035</b>	F4B-UN2-108	<b>048052</b>	F4B-UN2-108E	5.10
22209	1-11/16	<b>048036</b>	F4B-UN2-111	<b>048053</b>	F4B-UN2-111E	6.70
	1-3/4	<b>048037</b>	F4B-UN2-112	<b>048054</b>	F4B-UN2-112E	6.70
22210	1-15/16	<b>048038</b>	F4B-UN2-115	<b>048055</b>	F4B-UN2-115E	6.90
	2	<b>048039</b>	F4B-UN2-200	<b>048056</b>	F4B-UN2-200E	6.70
22211	2-3/16	<b>048040</b>	F4B-UN2-203	<b>048057</b>	F4B-UN2-203E	8.40
22213	2-7/16	<b>048041</b>	F4B-UN2-207	<b>048058</b>	F4B-UN2-207E	10.50
	2-1/2	<b>048042</b>	F4B-UN2-208	<b>048059</b>	F4B-UN2-208E	10.40
22215	2-11/16	<b>048043</b>	F4B-UN2-211	<b>048060 †</b>	F4B-UN2-211E	17.30
	2-3/4	<b>048044</b>	F4B-UN2-212	<b>048061 †</b>	F4B-UN2-212E	17.00
	2-15/16	<b>048045</b>	F4B-UN2-215	<b>048062</b>	F4B-UN2-215E	16.20
	3	<b>048046</b>	F4B-UN2-300	<b>048063</b>	F4B-UN2-300E	15.90
22218	3-7/16	<b>048047</b>	F4B-UN2-307	<b>048064</b>	F4B-UN2-307E	24.70
	3-1/2	<b>048048 †</b>	F4B-UN2-308	<b>048065 †</b>	F4B-UN2-308E	30.00
22220	3-15/16	<b>048049</b>	F4B-UN2-315	<b>048066</b>	F4B-UN2-315E	41.40
	4	<b>048050</b>	F4B-UN2-400	<b>048067 †</b>	F4B-UN2-400E	41.00

† Assembled to order. Consult DODGE for delivery.

Δ Consult DODGE for sizes not listed.

\* Furnished unless otherwise specified.

### UNISPHERE II 4-BOLT FLANGE DIMENSIONS ●

Shaft Size Inch	A	B	C	D	F Bolt Dia.	H	J	K	L	M Total Exp.	N
1-7/16 1-1/2	1-11/16	4-3/4	1-29/32	3-17/32	1/2	3/4	9/16	5	2-3/4	5/32	2-7/16
1-11/16 1-3/4	1-29/32	5-1/8	2-5/32	3-29/32	1/2	3/4	23/32	5-1/2	3	5/32	2-3/4
1-15/16 2	1-29/32	5-5/16	2-11/64	4-1/16	1/2	11/16	45/64	5-3/4	3-1/4	5/32	2-7/8
2-3/16	2	5-7/8	2-17/64	4-1/2	5/8	3/4	43/64	6-3/8	3-1/2	5/32	3-1/16
2-7/16 2-1/2	2-13/64	6-1/8	2-7/16	4-25/32	5/8	1	5/8	6-3/4	4-1/16	3/16	3-3/8
2-11/16 2-3/4 2-15/16 3	2-29/64	7-3/16	2-19/32	5-9/16	3/4	15/16	25/32	7-7/8	4-23/32	3/16	3-13/16
3-7/16 3-1/2	2-55/64	8-11/32	3-5/64	6-23/32	3/4	1-3/16	55/64	9-1/2	5-1/2	3/16	4-5/16
3-15/16 4	3-21/64	9-15/32	3-11/16	7-5/8	7/8	1-1/16	1-3/64	10-3/4	6-15/32	7/32	4-11/16

● Dimensions shown are for non-expansion units.

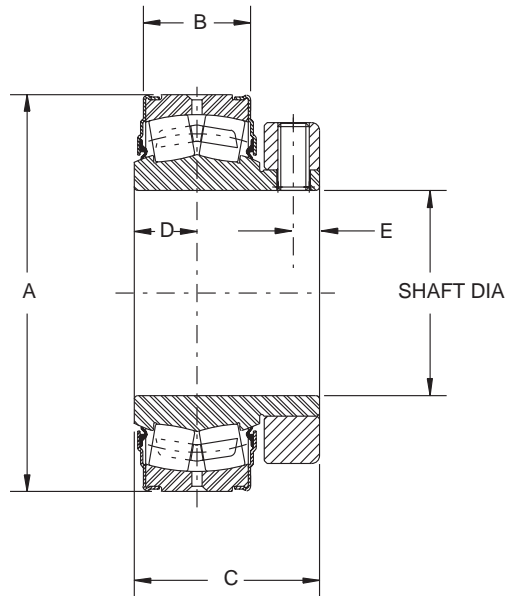
FEATURES/BENEFITS PAGE B9- 3	SPECIFICATION PAGE B9- 4	NOMENCLATURE PAGE B9- 5	SELECTION PAGE B9- 6
---------------------------------	-----------------------------	----------------------------	-------------------------



# DIMENSIONS



## UNISPHERE II Bearing Insert With Seal - Inch



Bearing	Shaft Size Inch $\Delta$	PART NO. $\dagger$	PART NAME	Approx. Wt. Lbs.
22208	1-7/16	421243	BRG-UN2-107	1.5
	1-1/2	421244	BRG-UN2-108	1.4
22209	1-11/16	421245	BRG-UN2-111	1.6
	1-3/4	421246	BRG-UN2-112	1.5
22210	1-15/16	421247	BRG-UN2-115	1.8
	2	421248	BRG-UN2-200	1.7
22211	2-3/16	421249	BRG-UN2-203	2.3
22213	2-7/16	421250	BRG-UN2-207	4.1
	2-1/2	421251	BRG-UN2-208	3.9
22215	2-11/16	421252	BRG-UN2-211	5.6
	2-3/4	421253	BRG-UN2-212	5.4
	2-15/16	421254	BRG-UN2-215	4.8
	3	421255	BRG-UN2-300	4.6
22218	3-7/16	421256	BRG-UN2-307	9.2
	3-1/2	421257	BRG-UN2-308	8.6
22220	3-15/16	421258	BRG-UN2-315	12.4
	4	421259	BRG-UN2-400	12.1

$\dagger$  Assembled-to-order size. Consult DODGE for delivery.

$\Delta$  Consult DODGE for sizes not listed.

FEATURES/BENEFITS PAGE B9- 3	SPECIFICATION PAGE B9- 4	NOMENCLATURE PAGE B9- 5	SELECTION PAGE B9- 6
---------------------------------	-----------------------------	----------------------------	-------------------------

# DIMENSIONS



## UNISPHERE II Bearing Insert With Seal - Inch

D-LOK

Type E Family

Speciality Tapered

S-2000

UNISPHERE II

### UNISPHERE II BEARING INSERT DIMENSIONS

Shaft Size Inch	A	B	C	D	E
1-7/16 1-1/2	3.1496	0.9455	1-11/16	0.557	0.286
1-11/16 1-3/4	3.3465	0.9455	1-29/32	0.578	0.317
1-15/16 2	3.5433	0.9455	1-29/32	0.594	0.317
2-3/16	3.9370	1.0343	2	0.644	0.317
2-7/16 2-1/2	4.7244	1.2705	2-13/64	0.747	0.317
2-11/16 2-3/4 2-15/16 3	5.1181	1.2705	2-29/64	0.795	0.442
3-7/16 3-1/2	6.2992	1.6243	2-55/64	0.974	0.442
3-15/16 4	7.0866	1.8610	3-21/64	1.090	0.505

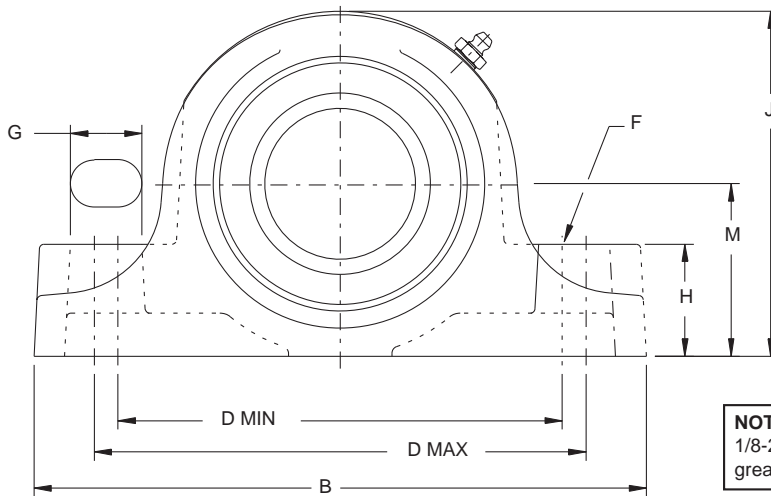
FEATURES/BENEFITS PAGE B9- 3	SPECIFICATION PAGE B9- 4	NOMENCLATURE PAGE B9- 5	SELECTION PAGE B9- 6
---------------------------------	-----------------------------	----------------------------	-------------------------



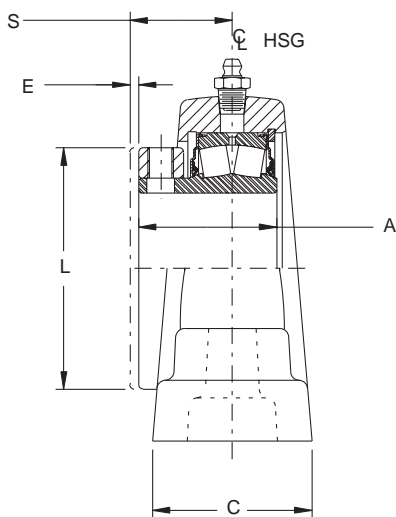
# DIMENSIONS



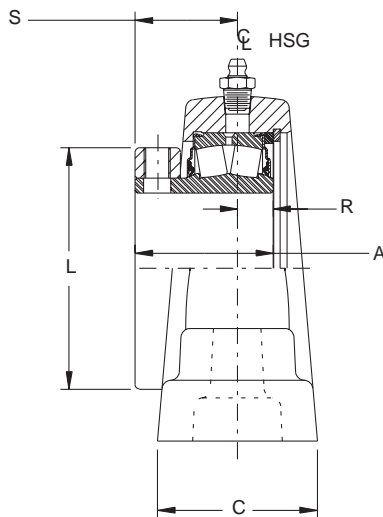
## UNISPHERE II Plummer Block Bearing - Metric



**NOTE:** All sizes use a 1/8-27 NPT hydraulic grease fitting



EXPANSION



NON-EXPANSION

D-LOK

Type E Family

Specialty Tapered

S-2000

UNISPHERE II

FEATURES/BENEFITS PAGE B9- 3	SPECIFICATION PAGE B9- 4	NOMENCLATURE PAGE B9- 5	SELECTION PAGE B9- 6
---------------------------------	-----------------------------	----------------------------	-------------------------



# DIMENSIONS



## UNISPHERE II Plummer Block Bearing - Metric

Bearing	Shaft Size Δ	NON-EXPANSION*		EXPANSION		Approximate Weight Kgs.
		PART NO.	PART NAME	PART NO.	PART NAME	
22210	50 mm	<b>048109</b>	P2B-UN2-050M	<b>048124</b>	P2B-UN2-050ME	3.4
22211	55 mm	<b>048110</b>	P2B-UN2-055M	<b>048125</b>	P2B-UN2-055ME	4.4
22213	60 mm	<b>048111</b>	P2B-UN2-060M	<b>048126</b>	P2B-UN2-060ME	6.2
22215	70 mm	<b>048113</b>	P2B-UN2-070M	<b>048128</b>	P2B-UN2-070ME	8.6
	75 mm	<b>048114</b>	P2B-UN2-075M	<b>048129</b>	P2B-UN2-075ME	8.3
22218	80 mm	<b>048115</b>	P2B-UN2-080M	<b>048130</b>	P2B-UN2-080ME	12.9
	85 mm	<b>048116</b>	P2B-UN2-085M	<b>048131</b>	P2B-UN2-085ME	12.6

† Assembled to order. Consult DODGE for delivery.

Δ Consult DODGE for sizes not listed.

\* Furnished unless otherwise specified.

### METRIC UNISPHERE II - PLUMMER BLOCK - DIMENSIONS (MM) ●

Shaft Size	A mm	B mm	C mm	D		E Total Exp.	F Bolt Dia.	G mm	H mm	J mm	L mm	M mm	R mm	S mm
				Min.	Max.									
50 mm	48	213	52	151	170	3.9	16	27	35	116	83	57.1	12	37
55 mm	51	225	59	164	181	3.9	16	26	41	127	89	63.5	13	38
60 mm	56	235	65	173	189	4.7	16	25	44	144	103	69.8	17	39
70 mm	62	265	65	198	214	4.7	20	29	57	164	120	82.5	19	43
75 mm														
80 mm	73	330	71	235	273	4.7	22	43	57	190	140	95.2	24	48
85 mm														

● Dimensions shown are for non-expansion units. The expansion bearing center and housing center are on the same centerline.

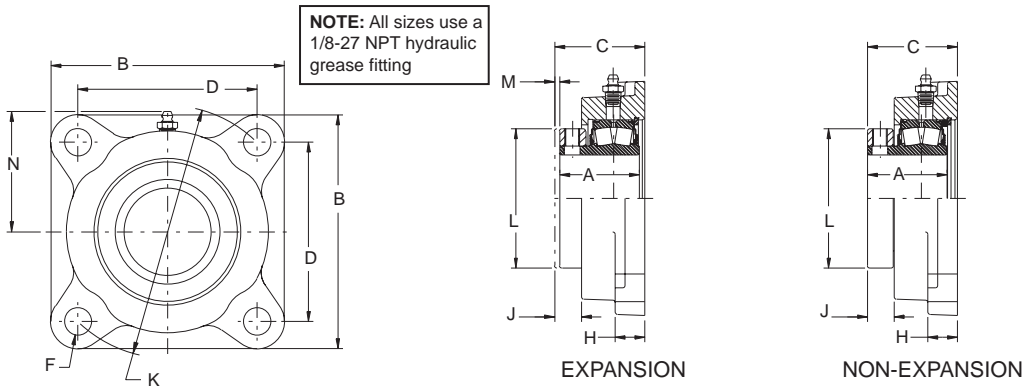
FEATURES/BENEFITS PAGE B9- 3	SPECIFICATION PAGE B9- 4	NOMENCLATURE PAGE B9- 5	SELECTION PAGE B9- 6
---------------------------------	-----------------------------	----------------------------	-------------------------



# DIMENSIONS



## UNISPHERE II Flange - Metric 4-BOLT



Bearing	Shaft Size Δ	NON-EXPANSION*		EXPANSION		Approx. Wt. Kgs.
		PART NO.	PART NAME	PART NO.	PART NAME	
22209	40 mm	<b>048202</b>	F4B-UN2-040M	<b>048216</b>	F4B-UN2-040ME	3.1
	45 mm	<b>048203</b>	F4B-UN2-045M	<b>048217</b>	F4B-UN2-045ME	3.1
22210	50 mm	<b>048204</b>	F4B-UN2-050M	<b>048218</b>	F4B-UN2-050ME	3
22211	55 mm	<b>048205</b>	F4B-UN2-055M	<b>048219</b>	F4B-UN2-055ME	3.8
22213	60 mm	<b>048206</b>	F4B-UN2-060M	<b>048220</b>	F4B-UN2-060ME	4.8
	65 mm	<b>048207</b>	F4B-UN2-065M	<b>048221</b>	F4B-UN2-065ME	4.6
22215	70 mm	<b>048208</b>	F4B-UN2-070M	<b>048222</b>	F4B-UN2-070ME	8.2
22218	80 mm	<b>048210</b>	F4B-UN2-080M	<b>048224</b>	F4B-UN2-080ME	11.2

† Assembled to order. Consult DODGE for delivery.

Δ Consult DODGE for sizes not listed.

\* Furnished unless otherwise specified.

## METRIC UNISPHERE II - 4-BOLT FLANGE - DIMENSIONS (mm) ●

Shaft Size	A	B	C	D	F Bolt Dia.	H	J	K	L	M Total Exp.	N
40 mm	48	130	55	99	12	19	18	140	76	3.9	70
45 mm	48	135	55	103	12	18	18	146	82	3.9	73
50 mm	51	149	58	114	16	19	17	162	89	3.9	78
60 mm	56	156	62	121	16	25	16	171	103	3.9	86
65 mm	62	183	66	141	20	24	20	200	120	4.7	97
70 mm	73	212	78	171	20	30	22	241	140	4.7	109

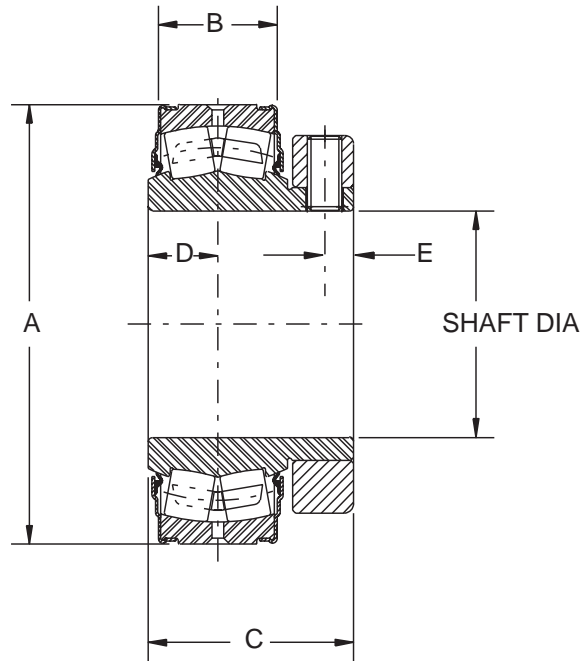
● Dimensions shown are for non-expansion units.

FEATURES/BENEFITS PAGE B9- 3	SPECIFICATION PAGE B9- 4	NOMENCLATURE PAGE B9- 5	SELECTION PAGE B9- 6
---------------------------------	-----------------------------	----------------------------	-------------------------

# DIMENSIONS



## UNISPHERE II Bearing Insert With Seal - Metric



Bearing	UNISPHERE II Bearing Insert W/Seals Metric			
	Shaft Size Δ	PART NO. †	PART NAME	Approx. Wt. Kgs.
22209	40 mm	<b>421362</b>	BRG-UN2-040	0.80
	45 mm	<b>421363</b>	BRG-UN2-045	0.70
22210	50 mm	<b>421364</b>	BRG-UN2-050	0.75
22211	55 mm	<b>421365</b>	BRG-UN2-055	1.06
22213	60 mm	<b>421366</b>	BRG-UN2-060	1.95
	65 mm	<b>421367</b>	BRG-UN2-065	1.74
22215	70 mm	<b>421368</b>	BRG-UN2-070	2.37
	75 mm	<b>421369</b>	BRG-UN2-075	2.09
22218	80 mm	<b>421370</b>	BRG-UN2-080	4.54
	85 mm	<b>421371</b>	BRG-UN2-085	4.20
	90 mm	<b>421372</b>	BRG-UN2-090	3.90

Shaft Size	UNISPHERE II Bearing Insert Dimensions-Metric				
	A mm	B mm	C mm	D mm	E mm
40 mm	85	24	48	14.7	7.26
45 mm					
50 mm	90	24	48	15.1	8.05
55 mm					
60 mm	100	26	51	16.4	8.05
65 mm					
70 mm	120	32.2	56	19	8.05
75 mm					
80 mm	130	32.3	62	20.2	11.2
85 mm					
90 mm	160	41.3	73	24.1	11.2
90 mm					

† Assembled-to-order size. Consult DODGE for delivery.  
 Δ Consult DODGE for sizes not listed.

FEATURES/BENEFITS PAGE B9- 3	SPECIFICATION PAGE B9- 4	NOMENCLATURE PAGE B9- 5	SELECTION PAGE B9- 6
---------------------------------	-----------------------------	----------------------------	-------------------------



**DODGE**<sup>®</sup>

# NOTES

---

D-LOK

Type E Family

Specialty Tapered

S-2000

UNISPHERE II

# CONTENTS



## IMPERIAL - IP, ISAF and ISN

Features / Benefits	
IMPERIAL . . . . .	B10-3
IMPERIAL-E . . . . .	B10-8
ISAF . . . . .	B10-10
Specification . . . . .	B10-6
How To Order . . . . .	B10-7
Nomenclature	
IMPERIAL . . . . .	B10-9
ISAF . . . . .	B10-11
Selection . . . . .	B10-10
Dimensions	
Pillow Block . . . . .	B10-20
ISN Metric . . . . .	B10-34
Flange Bearing . . . . .	B10-36
Piloted Flange . . . . .	B10-48
Piloted Flange . . . . .	B10-58
Wide Slot Take-Up . . . . .	B10-62
IMPERIAL ISAF . . . . .	B10-68
IMPERIAL Bearing Insert . . . . .	B10-74
Spanner Wrench . . . . .	B10-75
Lockplate Kit . . . . .	B10-76
End Covers . . . . .	B10-79
Interchange Chart . . . . .	B10-79
Part Number Index . . . . .	INDEX-1
Key Word Index . . . . .	INDEX-34

IMPERIAL - ISAF

UNIFIED SAF

International Bearings

Sleeve Bearing

SLEEVOIL

# NOTES

---

**DODGE**<sup>®</sup>



IMPERIAL - ISAF

UNIFIED SAF

International Bearings

Sleeve Bearing

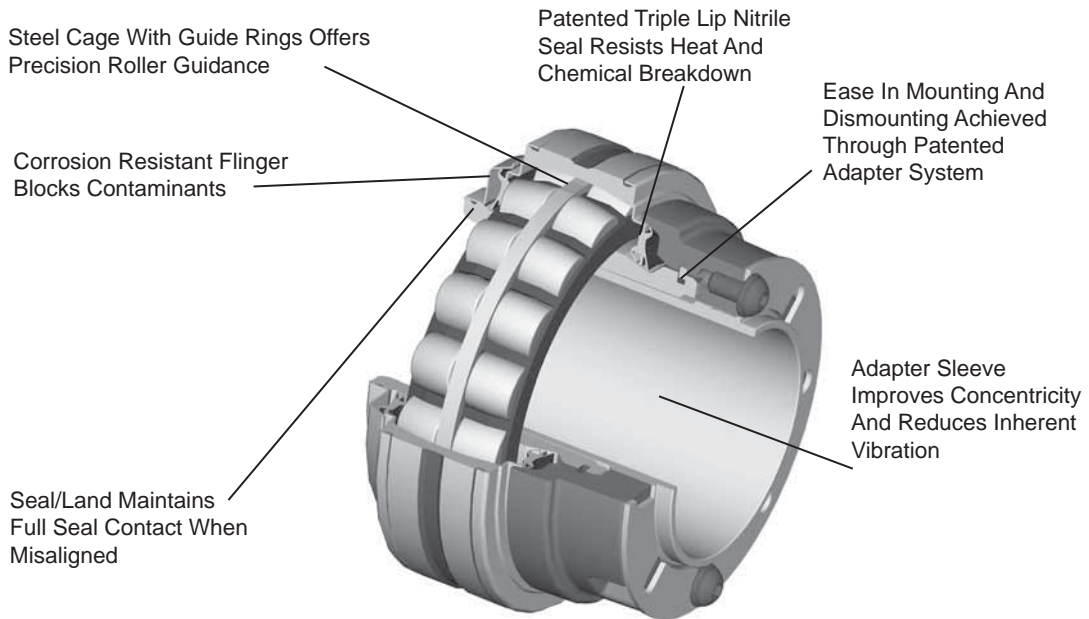
SLEEVOIL



## IMPERIAL

# Patented Adapter System Offers Quick Installation And Removal

The DODGE IMPERIAL bearing uses a thin wall push-pull adapter system that achieves clearance setting without the use of feeler gauges. The IMPERIAL bearing is installed by turning the locknut clockwise and removed by a counterclockwise rotation. Installation and removal of an IMPERIAL bearing can be accomplished in 15 minutes or less.



## Installation and Removal Savings . . .

- Factory lubed, sealed and adjusted, ready to slip onto the shaft
- IMPERIAL adapter sleeve concentricity virtually eliminates fretting corrosion
- Field convertible from non-expansion to expansion and expansion to non-expansion
- Elongated pillow block bolt holes to facilitate mounting

## FEATURES/BENEFITS

**DODGE**<sup>®</sup>

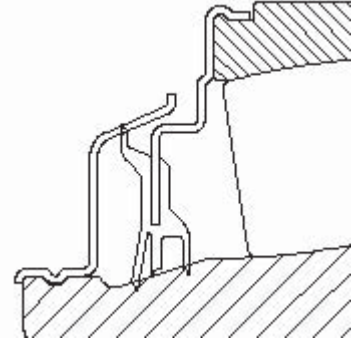


### IMPERIAL

## IMPERIAL Bearings Offer Patented Seal Options To Maximize Bearing Life . . .

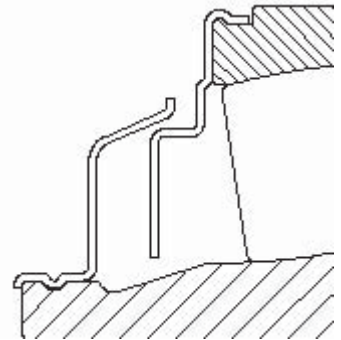
TRIDENT™ seals for low to medium speed

- Face rubbing triple lip seal
- Flinger to shield seal and bearing from contamination/damage
- Seal/land positive contact up to  $\pm 1$  degree of misalignment
- Patented design



Labyrinth seals for higher speeds or high temperatures

- High speed for relatively clean or hot environments
- 15% increase in maximum speed over standard SAF adapter mounted sphericals of the same shaft size
- Flinger to shield seal and bearing from contamination/damage
- Seal operates up to  $\pm 1$  degree of misalignment
- Patented design

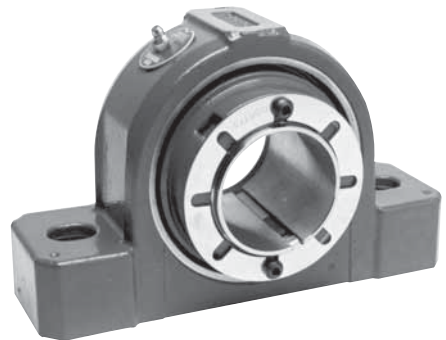
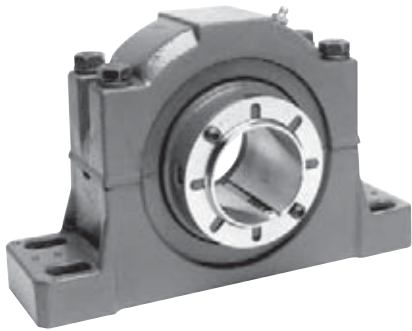




# FEATURES/BENEFITS



## IMPERIAL - IP



- Push-pull adapter mount
- Grease limiting speeds 30% higher than setscrew mounts
- Same rolling element as the S-2000 bearing
- Pillow blocks are interchangeable with S-2000 dimensions on all sizes
- All housings are Class 30 Gray Iron
- 2 bolt pillow blocks, 4 bolt flange bearings
- piloted flange and take-ups 1-1/8" to 4"
- 4 bolt pillow blocks in sizes 2-3/8" to 5"
- Jackscrew holes standard on piloted flanges
- Can replace 300 series ball bearings in many applications
- Patented adapter mounting system
- Superior holding power reduces the fretting corrosion caused by vibration
- Shaft ready installation
- No special tools required for installation
- DODGE TRIDENT triple lip seal provides superior sealing system
- Seal/land on OD of inner ring maintains full contact pressure even when misaligned
- Less shaft damage vs. setscrew mounts
- Reduced vibration damage vs. setscrew mounts

IMPERIAL - ISAF

UNIFIED SAF

International Bearings

Sleeve Bearing

SLEEVOIL

# SPECIFICATION

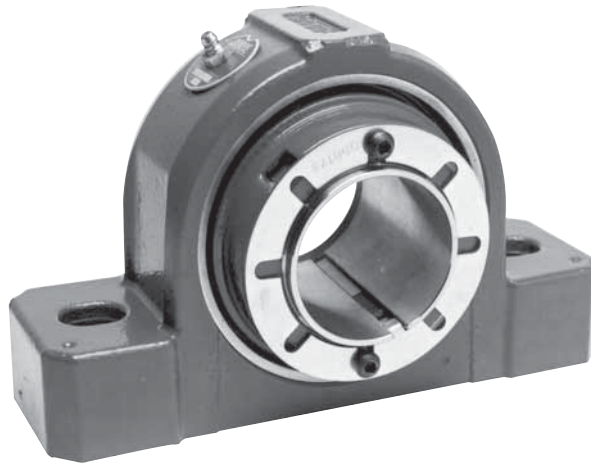


## IMPERIAL INCH

DODGE Spherical Bearings, including IMPERIAL bearings, are general-purpose, high-capacity, double-row spherical roller bearings. All IMPERIAL bearings are mounted in single-piece, precision-machined housings. Bearings are mounted to shafts by means of a patented adapter system that improves concentricity and reduces inherent vibration.

Housings are available in a variety of standard configurations, including pillow blocks, flanges, piloted flanges and take-up bearings. TRIDENT triple lip contact seals and Labyrinth seals are available on IMPERIAL bearings.

ASTM A48 Class 30 cast iron is the standard material used in IMPERIAL housings. Housing designs are available for survival in extremely harsh environments, through the use of special finishes and stainless hardware.



IMPERIAL FEATURES PAGE B10-3	IMPERIAL HOW TO ORDER PAGE B10-7	IMPERIAL NOMENCLATURE PAGE B10-9	IMPERIAL SELECTION PAGE B10-10
---------------------------------	-------------------------------------	-------------------------------------	-----------------------------------

# HOW TO ORDER



## IMPERIAL

There are two ways to specify DODGE Bearings. Most of the product offerings have part numbers with listings shown throughout this catalog. Use of part numbers ensures accurate order processing.

When part numbers are not shown, the product may be specified by description or part name. This method is used when ordering units that include modifications or options. To order by description, use the nomenclature key shown on page B10-9 and add any special instructions to the end of the description for options not covered by the nomenclature.

DODGE Spherical Bearings are factory adjusted and pre-lubricated. For applications where extreme ambient temperatures, high speeds, or high loads are expected, a variety of specialty lubricants is available. Standard

grease provided is Mobilith AW2. High temperature greases available include Moluballoy 896 HT and Mobilith SHC460. Other special lubricants are available upon request. Special lubricant options usually involve set-up charges, minimum quantities and list price premiums. To order, specify type of lubricant required at the end of the product name or after the standard part number.

Example: 069461 except with Mobil Grease HTS #2 grease

or

P2BIP108L except with Mobil Grease HTS #2 grease

For applications requiring modifications not listed, we encourage you to contact our Application Engineering Department for Bearings at 864-284-5700.

IMPERIAL - ISAF

UNIFIED SAF

International Bearings

Sleeve Bearing

SLEEVOIL

IMPERIAL FEATURES PAGE B10-3	IMPERIAL SPECIFICATION PAGE B10-6	IMPERIAL NOMENCLATURE PAGE B10-9	IMPERIAL SELECTION PAGE B10-10
---------------------------------	--------------------------------------	-------------------------------------	-----------------------------------

# FEATURES/BENEFITS

**DODGE**<sup>®</sup>



## IMPERIAL-E

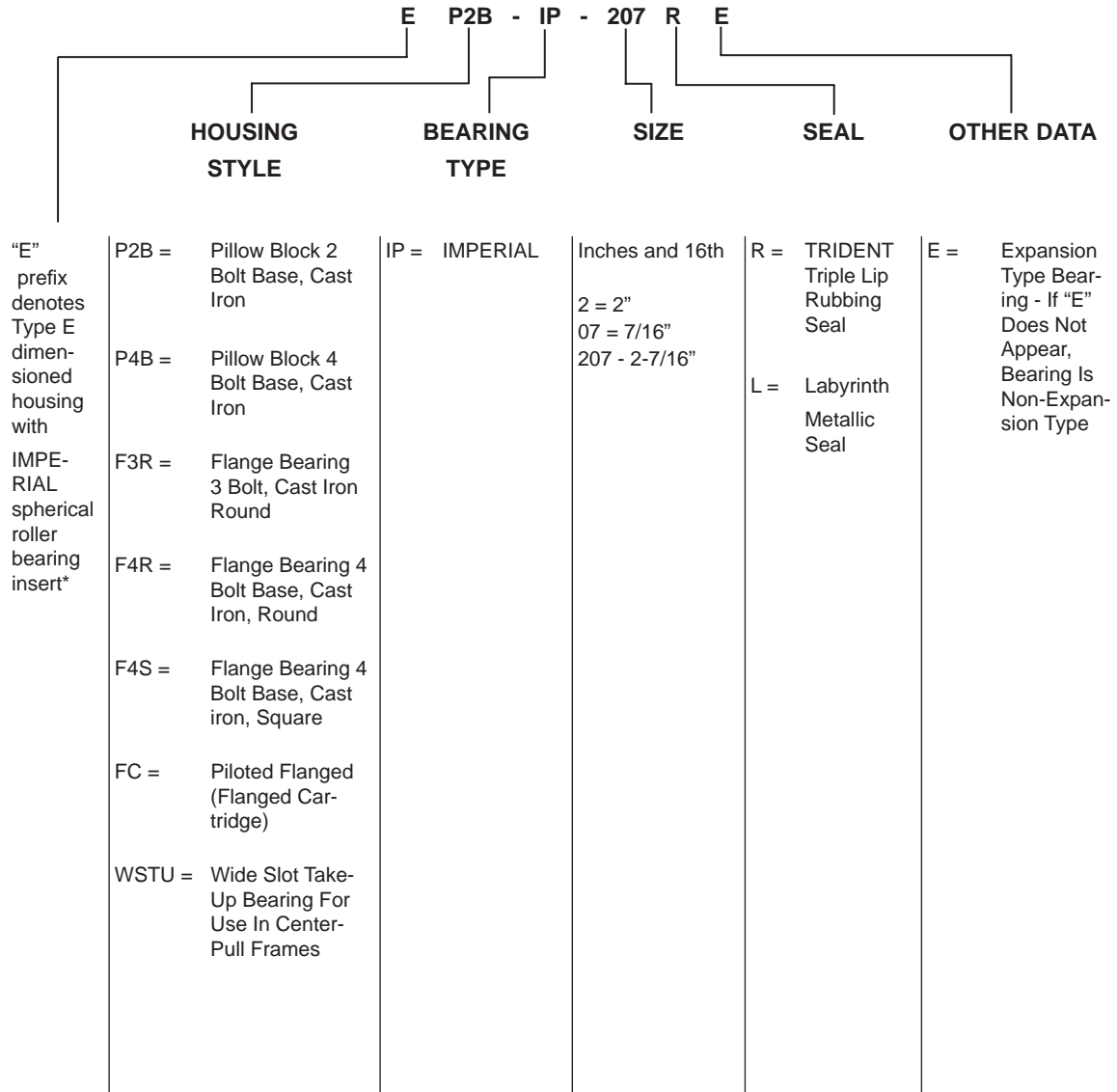


- Interchangeable with Type E style pillow blocks and flanges
- Same DODGE exclusive IMPERIAL adapter system and bearing insert
- Easy installation - no feeler gauges needed
- Easy removal - no torches, sledge hammers or special tools needed
- DODGE TRIDENT triple lip seal provides superior sealing system
- Labyrinth seal available for high speed or high temperature applications
- Up to  $\pm 1^\circ$  misalignment capability
- Seal land on OD of inner ring maintains full contact pressure even when misaligned
- High capacity double row spherical bearing
- 2 bolt pillow blocks in sizes 1-3/8 to 3-1/2"
- 4 bolt pillow blocks in sizes 2-1/4 to 7"
- Flanges in sizes 1-3/8 to 4-1/2"
- Piloted flanges in sizes 1-3/8 to 5"

# NOMENCLATURE



## IMPERIAL - IP



\* Available in two or four bolt pillow blocks, four bolt square flanges and piloted flanges

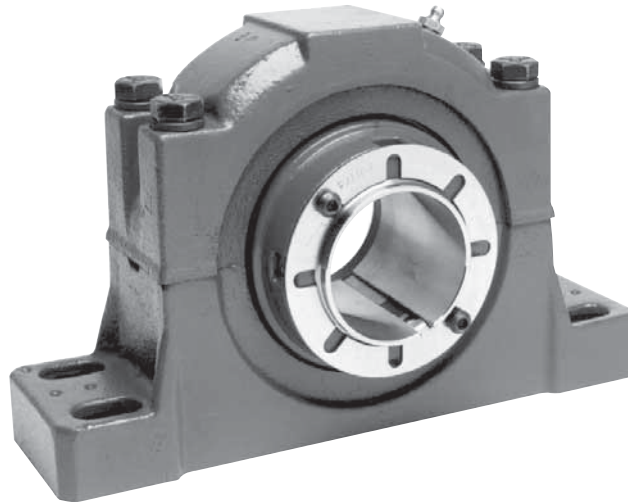
IMPERIAL FEATURES PAGE B10-3	IMPERIAL SPECIFICATION PAGE B10-6	IMPERIAL SELECTION PAGE B10-12	IMPERIAL DIMENSIONS PAGE B10-20
---------------------------------	--------------------------------------	-----------------------------------	------------------------------------

## FEATURES/BENEFITS

**DODGE**<sup>®</sup>



### ISAF

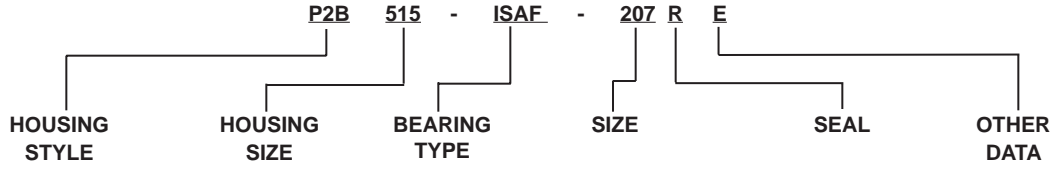


- Interchangeable with SAF style pillow blocks
- Patented adapter mounting system
- Easy installation - no feeler gauges needed
- Easy removal - no torches, sledge hammers or special tools needed
- DODGE TRIDENT triple lip seal provides superior sealing system
- Labyrinth seal available for high speed or high temperature applications
- Up to  $\pm 1^\circ$  misalignment capability
- Seal land on OD of inner ring maintains full contact pressure even when misaligned
- High capacity double row spherical bearing
- 2 bolt pillow blocks in sizes 1-7/16 to 3-7/16"
- 4 bolt pillow blocks in sizes 2-7/16" to 7"

# NOMENCLATURE



## ISAF



P2B = Pillow Block 2 Bolt Base, Cast Iron

P4B = Pillow Block 4 Bolt Base, Cast Iron

5xx for interchangeable SAF style housings

ISAF = IMPERIAL SAF

Inches and 16th  
2 = 2"  
07 = 7/16"  
207 = 2-7/16"

R = TRIDENT Triple Lip Contact Seal

L = Labyrinth Seal

E = EXPANSION  
If E does not appear, bearing is a non-expansion type

IMPERIAL - ISAF

UNIFIED SAF

International Bearings

Sleeve Bearing

SLEEVOIL

ISAF FEATURES/BENEFITS PAGE B10-10	ISAF DIMENSIONS PAGE B10-60		
---------------------------------------	--------------------------------	--	--



# SELECTION



## IMPERIAL - IP and ISAF Spherical Roller Bearing

DODGE Spherical Roller Bearings have the capacity to carry heavy radial loads and combined radial and thrust loads. The maximum recommended load which can be applied is limited by various components in the system such as bearing, housing, shaft, shaft attachment, speed and life requirements as listed in this catalog. DODGE spherical roller bearings have been applied successfully even when these limits have been exceeded under controlled operating conditions. Contact DODGE Application Engineering (864-284-5700) for applications which exceed the recommendations of this catalog.

**L<sub>10</sub> Hours Life** - The life which may be expected from at least 90% of a given group of bearings operating under identical conditions.

$$L_{10} \text{ Life, Hours} = \left( \frac{C}{P} \right)^{0.3} \times \left( \frac{16667}{\text{RPM}} \right)$$

Where:

C = Dynamic Capacity (Table 1 on page B10-15 for IMPERIAL), lbs.

P = Equivalent Radial Load, lbs.

### GENERAL

**Heavy Service** - For heavy shock loads, frequent shock loads, or severe vibrations, add up to 50% (according to severity of conditions) to the Equivalent Radial Load to obtain a Modified Equivalent Radial Load. Consult DODGE Application Engineering for additional selection assistance.

Thrust load values shown in the table below are recommended as a guide for general applications that will give adequate L<sub>10</sub> life. Spherical bearings require a radial load at least equal to the thrust load for proper operation. If the thrust load exceeds this limit, consult Application Engineering. Where substantial radial load is also present, it is advisable to calculate actual L<sub>10</sub> life to assure that it meets the requirements. The effectiveness

of the shaft attachment to carry thrust load depends on proper tightening of the bearing to the shaft. Therefore, it is advisable to use auxiliary thrust carrying devices such as shaft shoulder, snap ring or a thrust collar to locate the bearing under thrust loads heavier than shown below, or where extreme reliability is desired.

RPM	20-200	201-2000	Over 2000
RECOMMENDED THRUST LOAD	C/20	C/40	C/60

The shaft tolerances recommended below are adequate for normal radial and radial/thrust load applications. Since the allowable load, especially at a low speed, is very large, the shaft should be checked to assure adequate shaft strength.

The magnitude and direction of both the thrust and radial load must be taken into account when selecting a housing. **When pillow blocks are utilized, heavy loads should be directed through the base. Where cap loads are involved, see Tables 3 - 5 on pages B10-18 - B10-19 for maximum values.** Where a load pulls the housing away from the mounting base, both the hold-down bolts and housing must be of adequate strength. Auxiliary load carrying devices such as shear bars are advisable for side or end loading of pillow blocks and radial loads for flange units.

### SHAFT TOLERANCES

SHAFT SIZE	TOLERANCE, inches
Up To 1-1/2"	+.000 -.002"
1-9/16 to 2-1/2"	+.000 -.003"
2-5/8 to 4"	+.000 -.004"
4-3/16 to 6"	+.000 -.005"
6-7/16" and above	+.000 -.006"

IMPERIAL FEATURES PAGE B10-3	IMPERIAL SPECIFICATION PAGE B10-6	IMPERIAL NOMENCLATURE PAGE B10-9	IMPERIAL DIMENSIONS PAGE B10-20
---------------------------------	--------------------------------------	-------------------------------------	------------------------------------



# SELECTION



## IMPERIAL - IP and ISAF Spherical Roller Bearing BEARING SUPPORTING RADIAL LOADS ONLY

1. Define  $L_{10}$  Life Hours desired.
2. Establish bearing radial load,  $F_R$   
( $F_R = P$  for Pure Radial Load Conditions). The DODGE program BEST™\* can be used to find application loads.
3. Establish RPM.

Using the easy selection Table 2 on page B10-16 for IMPERIAL, find, under the RPM column, the equivalent radial load that equals or is slightly higher than the application radial load for the desired life. The shaft size on the far left will be the minimum shaft size that you can use for your application.

If the desired life is different than the values shown on the chart, use alternate Method A shown below.

- Example: 1.  $L_{10}$  Life = 30,000 Hours  
 2. Radial load = 4000 lbs.  
 3. RPM = 1,000

At the intersection of the 1,000 RPM column and the 30,000 hours  $L_{10}$  life row, the equivalent radial load of 4011 lbs. exceeds the 4000 lbs. radial load for shaft size 2-3/8" to 2-1/2". A bearing with bore ranging from 2-3/8" to 2-1/2", or longer, may be used for this application.

### ALTERNATE METHOD A - SELECTING A BEARING FOR AN $L_{10}$ LIFE VALUE NOT SHOWN IN THE EASY SELECTION CHART.

The  $L_{10}$  life equation can be rearranged so that the bearing dynamic capacity **C** is identified in terms of  $L_{10}$ , RPM and P

$$C = \left( \frac{L_{10} \times \text{RPM}}{16667} \right)^{0.3} \times P$$

( $P = F_R$  for Pure Radial Load Conditions)

Since the  $L_{10}$ , RPM and P are known, solve for **C**. Select from the dynamic capacity column on Table 1 on page

B10-15 the **C** value equal to or greater than the **C** value just calculated. The bore size on the far left represents the proper bore size selection. Check that the application RPM does not exceed the MAX. RPM on Table 1. When selecting an  $L_{10}$  life of less than 30,000 hours, particular attention must be paid to shaft deflection and proper lubricant selection.

## SELECTING BEARINGS SUPPORTING COMBINATION RADIAL AND THRUST LOADS

When a bearing supports both a radial load and a thrust load, the loading on the two rows is shared unequally depending on the ratio of thrust to radial load. The use of the X (radial factor) and Y (thrust factor) from Table 1 converts the applied thrust load and radial loads to an equivalent radial load having the same effect on the life of the bearing as a radial load of this magnitude.

$$\text{The equivalent radial load } P = XF_R + YF_A$$

Where:

- P = Equivalent radial load, lbs.
- $F_R$  = Radial load, lbs. (see Table 1 for allowable slip fit maximum load)
- $F_A$  = Thrust (axial) load, lbs.
- e = Thrust load to radial load factor (Table 1)
- X = Radial load factor (Table 1)
- Y = Thrust load factor (Table 1)

★ The DODGE Bearing Evaluation and Selection Technique (BEST) is a menu driven computer program that calculates bearing loads, fatigue life and operating temperature for a two bearing shaft system based on user supplied input parameters. This interactive program is available at [www.ptwizard.com](http://www.ptwizard.com) under the Product Selection area.

IMPERIAL FEATURES PAGE B10-3	IMPERIAL SPECIFICATION PAGE B10-6	IMPERIAL NOMENCLATURE PAGE B10-9	IMPERIAL DIMENSIONS PAGE B10-20
---------------------------------	--------------------------------------	-------------------------------------	------------------------------------



# SELECTION

## IMPERIAL - IP and SAF Spherical Roller Bearing

To find X and Y, calculate  $F_A/F_R$  and compare to **e** for the selected bore size. Determine X and Y from Table 1 on page B10-15 depending on whether  $F_A/F_R$  is equal to or less than **e**, or  $F_A/F_R$  is greater than **e**. Substitute all known values into the equivalent radial load equation. P (equivalent radial load) can be used in the life formula to determine  $L_{10}$ , or it can be compared to the allowable equivalent radial load ratings for the speed and hours life desired in the easy selection B10-16

very low and high speeds, for heavy loads, and for low and high temperatures, special greases may be used. Contact DODGE Application Engineering (864-284-5700), DODGE engineers will recommend bearings and lubricants for the above unusual conditions. DODGE also has the expertise to custom design and build special bearings for your needs. The only maintenance requirement for DODGE Spherical roller bearings is periodic relubrication at regular intervals as outlined in the appropriate instruction manuals.

### SELECTING BEARINGS SUPPORTING ONLY THRUST LOADS

Spherical Roller Bearings generally are not recommended for pure thrust load applications. However, they will perform satisfactorily under very light pure thrust loads. Consult DODGE Application Engineering (864-284-5700).

### MISALIGNMENT CONSIDERATIONS

In nearly all applications good design practice requires two bearings supporting the shaft. In cases where three or more bearings are installed, unless precautions are taken to line the bearings up, both vertically and horizontally, it is possible to induce heavy loads. In the case of two bearings, alignment is not as critical, especially with DODGE Unitized Spherical Roller Bearings. IMPERIAL bearings are designed to allow a maximum of  $\pm 1^\circ$  of static and dynamic misalignment. However, for optimum seal performance, misalignment should be kept under  $\pm 0.5^\circ$ . To ensure good alignment, mounting surfaces must be checked for flatness and must lie in the same plane. When tightening base bolts, each bolt should be alternately tightened in incremental torque values until full torque is achieved to prevent the angular shifting of the pillow block that occurs when one bolt is tightened to its full torque. Shimmiing may be required to minimize misalignment.

### SELECTING LUBRICATION

IMPERIAL spherical roller bearings are lubricated at the factory with Mobilith AW2 grease for sizes up to 5". Above 5", Mobilux EP #2 is used. Mobilith AW2 is a superior industrial grease with a lithium complex thickener and highly refined base oil. Mobilux EP#2 is a superior industrial grease using a lithium hydroxystearate thickener and highly refined base oil. This grease will adequately handle low and medium speeds with low and medium loads at normal temperatures as defined on Table 5 on page B10-19 For

IMPERIAL - ISAF

UNITIZED SAF

International Bearings

Sleeve Bearing

SLEEVOIL

IMPERIAL FEATURES PAGE B10-3	IMPERIAL SPECIFICATION PAGE B10-6	IMPERIAL NOMENCLATURE PAGE B10-9	IMPERIAL DIMENSIONS PAGE B10-20
---------------------------------	--------------------------------------	-------------------------------------	------------------------------------

# SELECTION



## IMPERIAL - IP and SAF Spherical Roller Bearing

Table 1: IMPERIAL Spherical Roller Bearing

Shaft Size Inches	Basic Bearing Description	e	FA/FR<e		FA/FR>e		Adapter Maximum Thrust Load Pounds	Dynamic Capacity (C) Pounds	Static Capacity (Co) Pounds	Maximum Speed*		Maximum ISAF Expansion Capability Inches
			X	Y	X	Y				Labyrinth RPM	TRIDENT RPM	
1-1/8 1-3/16 1-1/4 1-3/8 1-7/16 1-1/2	22208	0.28	1.0	2.4	0.67	3.6	620	20,800	21,000	6,000	3,975	7/32
1-1/2 ** 1-5/8 1-11/16 1-3/4	22209	0.26	1.0	2.6	0.67	3.9	700	20,800	22,000	5,600	3,725	7/32
1-3/4 ** 1-7/8 1-15/16 2	22210	0.24	1.0	2.8	0.67	4.2	775	22,000	24,000	5,300	3,520	17/64
2-3/16 2-1/4	22211	0.23	1.0	2.9	0.67	4.3	930	27,000	29,000	4,500	3,000	7/32
2-1/4 ** 2-3/8 2-7/16 2-1/2	22213	0.24	1.0	2.8	0.67	4.2	1,360	39,000	47,500	3,800	2,400	5/16
2-11/16 2-3/4 2-15/16 3	22215	0.22	1.0	3.1	0.67	4.6	1,570	41,500	53,000	3,400	2,250	15/64
3-3/16 3-1/4 3-7/16 3-1/2	22218	0.23	1.0	2.9	0.67	4.3	2,430	65,500	81,500	2,600	1,825	3/8
3-11/16 3-15/16 4	22220	0.24	1.0	2.8	0.67	4.2	3,100	83,000	104,000	2,200	1,530	3/8
4-7/16 4-1/2	22222	0.25	1.0	2.7	0.67	4.0	3,930	104,000	132,000	2,000	1,325	3/8
4-15/16 5	22226	0.26	1.0	2.6	0.67	3.9	5,610	146,000	196,000	1,800	1,175	3/8
5-7/16 5-1/2	22228	0.25	1.0	2.7	0.67	4.0	6,419	166,000	236,000	1,700	1,100	3/8
5-15/16 6	22232	0.26	1.0	2.6	0.67	3.9	8,630	220,000	315,000	1,500	975	3/8
6-7/16 6-1/2 6-15/16 7	22236	0.25	1.0	2.7	0.67	4.0	10,437	260,000	375,000	1,300	845	3/8

\* Maximum grease speed is dependent on load and ambient conditions, consult Dodge Engineering

\*\* IMPERIAL - Type E Dimensional Housing

IMPERIAL FEATURES PAGE B10-3	IMPERIAL SPECIFICATION PAGE B10-6	IMPERIAL NOMENCLATURE PAGE B10-9	IMPERIAL DIMENSIONS PAGE B10-20
---------------------------------	--------------------------------------	-------------------------------------	------------------------------------



# SELECTION



## IMPERIAL - IP and SAF Spherical Roller Bearing

Table 2: Allowable Equivalent Radial Load Rating (lbs) at Various Revolutions per Minute

Size Inches	L10 Life Hours	Allowable Equivalent Radial Load Rating (lbs.) at Various Revolutions per Minute																					
		50	100	150	250	500	750	1,000	1,300	1,500	1,700	1,800	2,000	2,200	2,600	2,750	3,000	3,400	3,800	4,500	5,300	5,600	6000
1-1/8 to 1-1/2	10,000	7498	6090	5393	4626	3758	3327	3052	2821	2703	2603	2559	2479	2409	2292	2253	2195	2114	2045	1944	1851	1820	1783
	30,000	5393	4380	3878	3327	2703	2393	2195	2029	1944	1872	1840	1783	1733	1648	1621	1579	1521	1471	1398	1331	1309	1282
	40,000	4947	4018	3558	3052	2479	2195	2014	1861	1783	1717	1688	1636	1590	1512	1487	1448	1395	1349	1282	1221	1201	1176
	60,000	4380	3558	3150	2703	2195	1944	1783	1648	1579	1521	1495	1448	1408	1339	1316	1282	1235	1195	1136	1081	1064	1042
1-11/16 to 1-3/4	10,000	7498	6,090	5,393	4,626	3,758	3,327	3,052	2,821	2,703	2,603	2,559	2,479	2,409	2,292	2,253	2,195	2,114	2,045	1,944	1,851	1,820	1,783
	30,000	5,393	4,380	3,878	3,327	2,703	2,393	2,195	2,029	1,944	1,872	1,840	1,783	1,733	1,648	1,621	1,579	1,521	1,471	1,398	1,331	1,309	1,282
	40,000	4,947	4,018	3,558	3,052	2,479	2,195	2,014	1,861	1,783	1,717	1,688	1,636	1,590	1,512	1,487	1,448	1,395	1,349	1,282	1,221	1,201	1,201
	60,000	4,380	3,558	3,150	2,703	2,195	1,944	1,783	1,648	1,579	1,521	1,495	1,448	1,407	1,339	1,316	1,282	1,235	1,195	1,136	1,081	1,064	1,063
1-15/16 to 2	10,000	7,930	6,441	5,704	4,893	3,975	3,519	3,228	2,984	2,859	2,753	2,706	2,622	2,548	2,424	2,383	2,322	2,253	2,163	2,056	1,957		
	30,000	5,704	4,633	4,102	3,519	2,859	2,531	2,322	2,146	2,056	1,980	1,947	1,886	1,833	1,743	1,714	1,670	1,608	1,556	1,479	1,408		
	40,000	5,232	4,250	3,763	3,228	2,622	2,322	2,130	1,969	1,886	1,816	1,786	1,730	1,681	1,599	1,572	1,532	1,475	1,427	1,356	1,291		
	60,000	4,633	3,763	3,332	2,859	2,322	2,056	1,886	1,743	1,670	1,608	1,581	1,532	1,489	1,416	1,392	1,356	1,306	1,264	1,201	1,144		
2-3/16 to 2-1/4	10,000	9,733	7,905	7,000	6,005	4,878	4,319	3,962	3,662	3,508	3,379	3,322	3,218	3,127	2,975	2,925	2,853	2,745	2,655	2,523			
	30,000	7,000	5,686	5,035	4,319	3,508	3,106	2,850	2,634	2,523	2,430	2,389	2,315	2,249	2,139	2,104	2,050	1,974	1,909	1,815			
	40,000	6,421	5,216	4,618	3,962	3,218	2,850	2,614	2,416	2,315	2,229	2,191	2,123	2,063	1,963	1,930	1,880	1,811	1,751	1,665			
	60,000	5,686	4,618	4,089	3,508	2,850	2,523	2,315	2,139	2,050	1,974	1,940	1,880	1,827	1,738	1,709	1,665	1,603	1,551	1,474			
2-7/16 to 2-1/2	10,000	14,058	11,419	10,111	8,674	7,046	6,239	5,723	5,290	5,068	4,881	4,798	4,649	4,518	4,297	4,225	4,116	3,964	3,834				
	30,000	10,111	8,213	7,272	6,239	5,068	4,487	4,116	3,805	3,645	3,510	3,451	3,343	3,249	3,090	3,039	2,960	2,851	2,758				
	40,000	9,275	7,534	6,671	5,723	4,649	4,116	3,776	3,490	3,343	3,220	3,165	3,067	2,980	2,835	2,787	2,716	2,616	2,530				
	60,000	8,213	6,671	5,907	5,068	4,116	3,645	3,343	3,090	2,960	2,851	2,803	2,716	2,639	2,510	2,468	2,405	2,316	2,240				
2-11/16 to 3	10,000	14,959	12,151	10,759	9,230	7,497	6,639	6,090	5,629	5,392	5,194	5,105	4,946	4,813	4,572	4,496	4,380	4,219					
	30,000	10,759	8,739	7,738	6,639	5,392	4,775	4,380	4,048	3,878	3,735	3,672	3,558	3,457	3,288	3,233	3,150	3,034					
	40,000	9,870	8,017	7,098	6,090	4,946	4,380	4,018	3,714	3,558	3,427	3,368	3,263	3,171	3,016	2,966	2,890	2,783					
	60,000	8,739	7,098	6,285	5,392	4,380	3,878	3,558	3,288	3,150	3,034	2,982	2,890	2,808	2,671	2,626	2,559	2,464					
3-3/16 to 3-1/2	10,000	23,611	19,178	16,981	14,569	11,833	10,478	9,612	8,884	8,511	8,197	7,995	7,807	7,587	7,216								
	30,000	16,981	13,793	12,213	10,478	8,511	7,536	6,913	6,390	6,121	5,896	5,795	5,615	5,457	5,190								
	40,000	15,577	12,653	11,203	9,612	7,807	6,913	6,341	5,861	5,615	5,408	5,316	5,151	5,006	4,761								
	60,000	13,793	11,203	9,920	8,511	6,913	6,121	5,615	5,190	4,972	4,789	4,707	4,561	4,432	4,216								
100,000	11,833	9,612	8,511	7,302	5,931	5,251	4,817	4,453	4,266	4,108	4,038	3,913	3,803	3,617									

Only the labyrinth seal (L seal) may be used to the right of the heavy line.

For applications in the dark shaded area, the maximum load for the specific speed is shown. The load does not correspond to the L10 shown at the left.

Applications in the light shaded area may require a high temperature lubrication, consult Dodge Engineering at (864) 297-4800

\* IMPERIAL - Type E Dimensional Housing

IMPERIAL FEATURES PAGE B10-3	IMPERIAL SPECIFICATION PAGE B10-6	IMPERIAL NOMENCLATURE PAGE B10-9	IMPERIAL DIMENSIONS PAGE B10-20
---------------------------------	--------------------------------------	-------------------------------------	------------------------------------

# SELECTION



## IMPERIAL - IP and SAF Spherical Roller Bearing

**Table 2: Allowable Equivalent Radial Load Rating (lbs) at Various Revolutions per Minute (continued)**

Size Inches	L10 Life Hours	Allowable Equivalent Radial Load Rating (lbs.) at Various Revolutions per Minute																					
		50	100	150	250	500	750	1,000	1,300	1,500	1,700	1,800	2,000	2,200	2,600	2,750	3,000	3,400	3,800	4,500	5,300	5600	6000
3-11/16 to 4	10,000	29,919	24,302	21,518	18,461	14,995	13,278	12,180	11,258	7,757	10,387	10,211	9,893	9,614									
	30,000	21,518	17,478	15,476	13,278	10,785	9,549	8,760	8,097	7,757	7,471	7,344	7,115	6,915									
	40,000	19,739	16,033	14,197	12,180	9,893	8,760	8,036	7,427	7,115	6,853	6,737	6,527	6,343									
	60,000	17,478	14,197	12,571	10,785	8,760	7,757	7,115	6,577	6,300	6,068	5,965	5,779	5,616									
	100,000	14,995	12,180	10,785	9,252	7,515	6,655	6,104	5,642	5,405	5,206	5,117	4,958	4,818									
4-7/16 to 4-1/2	10,000	37,489	30,450	26,963	23,132	18,789	16,637	15,261	10,145	13,513	13,015	12,794	12,396										
	30,000	26,963	21,901	19,392	16,637	13,513	11,966	10,976	10,145	9,719	9,361	9,202	8,915										
	40,000	24,733	20,090	17,789	15,261	12,396	10,976	10,069	9,307	8,915	8,587	8,441	8,178										
	60,000	21,901	17,789	15,751	13,513	10,976	9,719	8,915	8,241	7,894	7,603	7,474	7,242										
	100,000	18,789	15,261	13,513	11,593	9,417	8,338	7,649	7,070	6,773	6,523	6,412	6,213										
4-15/16 to 5	10,000	52,628	42,747	37,851	32,473	26,377	23,356	15,409	19,803	18,971	18,272	17,961											
	30,000	37,851	30,745	27,224	23,356	18,971	16,798	15,409	14,243	13,644	13,141	12,918											
	40,000	34,722	28,203	24,973	21,424	17,402	15,409	14,135	13,065	12,516	12,055	11,850											
	60,000	30,745	24,973	22,112	18,971	15,409	13,644	12,516	11,569	11,082	10,674	10,493											
	100,000	26,377	21,424	18,971	16,275	13,220	11,706	10,738	9,925	9,508	9,157	9,002											
5-7/16 to 5-1/2	10,000	59,838	48,603	43,037	36,922	29,990	26,555	17,520	22,516	21,569	20,775												
	30,000	43,037	34,957	30,953	26,555	21,569	19,099	17,520	16,194	15,513	14,942												
	40,000	39,478	32,066	28,394	24,359	19,786	17,520	16,071	14,855	14,230	13,706												
	60,000	34,957	28,394	25,142	21,569	17,520	15,513	14,230	13,153	12,601	12,136												
	100,000	29,990	24,359	21,569	18,505	15,031	13,309	12,209	11,284	10,810	10,412												
5-15/16 to 6	10,000	79,303	64,414	57,036	48,933	39,746	25,312	32,283	29,840	28,586													
	30,000	57,036	46,328	41,022	35,193	28,586	25,312	23,219	21,462	20,560													
	40,000	52,320	42,497	37,630	32,283	26,222	23,219	21,299	19,687	18,860													
	60,000	46,328	37,630	33,320	28,586	23,219	20,560	18,860	17,432	16,700													
	100,000	39,746	32,283	28,586	24,524	19,920	17,638	16,180	14,955	14,327													
6-7/16 to 7	10,000	93,722	76,126	67,407	57,829	46,972	29,914	38,153	35,265														
	30,000	67,407	54,751	48,480	41,592	33,783	29,914	27,441	25,364														
	40,000	61,833	50,224	44,472	38,153	30,990	27,441	25,172	23,266														
	60,000	54,751	44,472	39,378	33,783	27,441	24,298	22,289	20,602														
	100,000	46,972	38,153	33,783	28,983	23,542	20,845	19,122	17,675														

Only the labyrinth seal (L seal) may be used to the right of the heavy line.

For applications in the dark shaded area, the maximum load for the specific speed is shown. The load does not correspond to the L10 shown at the left.

Applications in the light shaded area may require a high temperature lubrication, consult Dodge Engineering at (864) 284-5700.

IMPERIAL - ISAF

UNIFIED SAF

International Bearings

Sleeve Bearing

SLEEVOIL

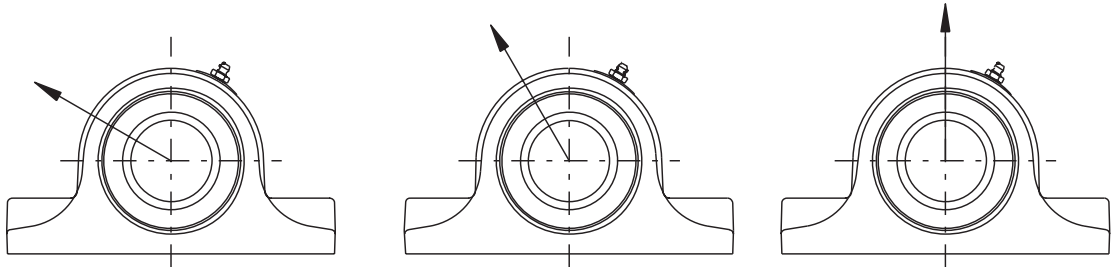
IMPERIAL FEATURES PAGE B10-3	IMPERIAL SPECIFICATION PAGE B10-6	IMPERIAL NOMENCLATURE PAGE B10-9	IMPERIAL DIMENSIONS PAGE B10-20
---------------------------------	--------------------------------------	-------------------------------------	------------------------------------



# SELECTION



## IMPERIAL - IP Spherical Roller Bearings



**Table 3: IMPERIAL-IP 2-Bolt Pillow Block Housing Ratings\***

Bore Size	Maximum Recommended Housing Cap Loads, lb		
	120°	150°	180°
1-1/8 to 1-1/2	2110	2640	3100
1-5/8 to 1-3/4	2380	2980	3500
1-7/8 to 2	3130	3910	4600
2-3/16 to 2-1/4	3330	4160	4900
2-3/8 to 2-1/2	3330	4160	4900
2-11/16 to 3	4420	5520	6500
3-3/16 to 3-1/2	4620	5780	6800
3-11/16 to 4	7500	9350	11000

**Table 4: IMPERIAL-IP 4-Bolt Pillow Housing Ratings\***

Bore Size	Maximum Recommended Housing Cap Loads, lb		
	120°	150°	180°
2-3/8 to 2-1/2	3810	4760	5600
2-11/16 to 3	4620	5780	6800
3-3/16 to 3-1/2	4700	5870	6900
3-11/16 to 4	7500	9350	11000
4-7/16 to 4-1/2	9900	12330	14500
4-15/16 to 5	13400	16750	19700

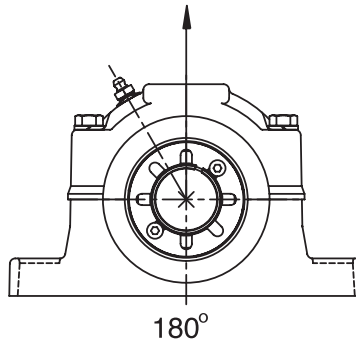
\* When utilizing heavy cap loads on pillow block housings; the installation must adhere to the following procedures:

1. The pillow block base bolts must be of high strength (Grade 8) bolts and properly tightened to mounting structure.
2. Stop bars (shear strips) should be used against the plummer block where side loads are encountered.
3. In all cases where loads are heavy, the L10 life of the bearing should be checked for proper selection and life requirements.

IMPERIAL FEATURES PAGE B10-3	IMPERIAL SPECIFICATION PAGE B10-6	IMPERIAL NOMENCLATURE PAGE B10-9	IMPERIAL DIMENSIONS PAGE B10-20
---------------------------------	--------------------------------------	-------------------------------------	------------------------------------



## IMPERIAL - ISAF Spherical Roller Bearings



**Table 5: ISAF Housing Rating\***

SHAFT SIZE (INCHES)	MAXIMUM RECOMMENDED HOUSING CAP LOADS, LBS
	180°
1-1/8 thru 1-1/2	4,600
1-5/8 thru 1-3/4	5,400
1-7/8 thru 2	7,875
2-3/16 thru 2-1/4	9,200
2-3/8 thru 2-1/2	9,220
2-11/16 thru 3	10,200
3-3/8 thru 3-1/2	14,700
3-11/16 thru 4	17,800
4-7/16 thru 4-1/2	18,300
4-15/16 thru 5	22,300
5-7/16 thru 5-1/2	25,100
5-15/16 thru 6	30,200
6-7/16 thru 7	35,300

\* When utilizing heavy cap loads on pillow block housings; the installation must adhere to the following procedures:

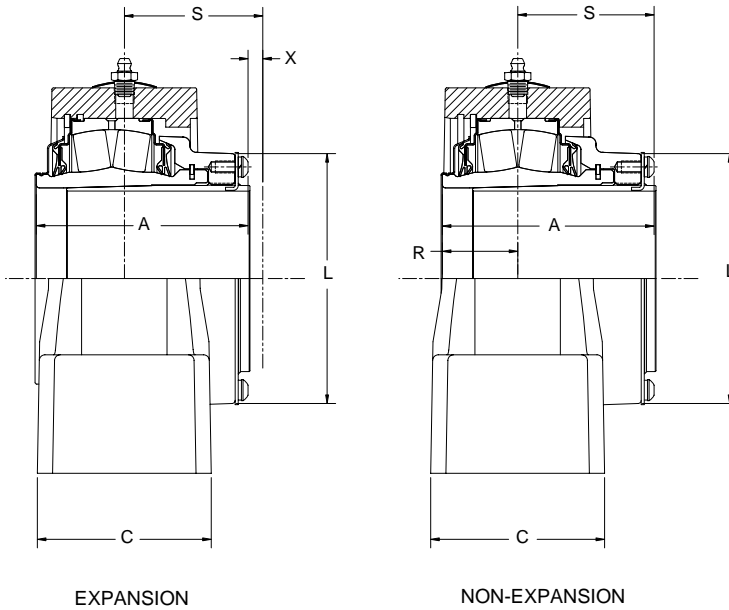
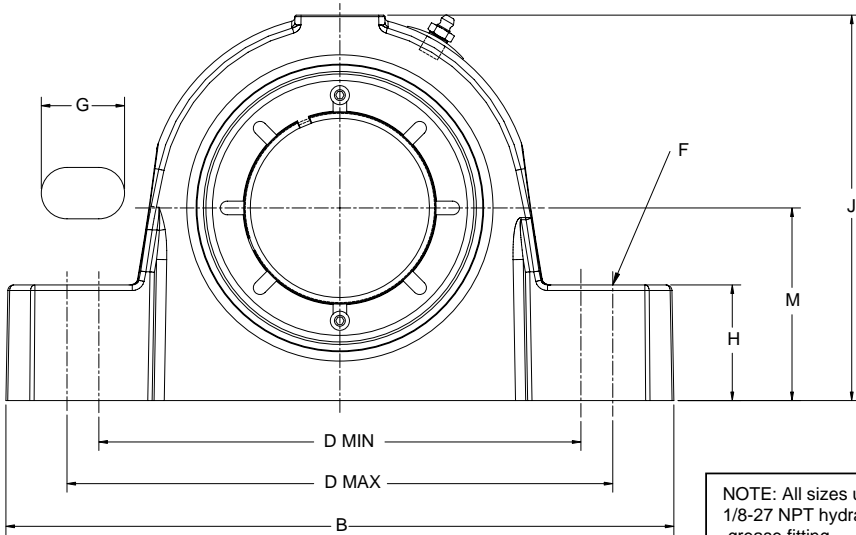
1. The pillow block base bolts must be of high strength (Grade 8) bolts and properly tightened to mounting structure.
2. Stop bars (shear strips) should be used against the plummer block where side loads are encountered.
3. In all cases where loads are heavy, the  $L_{10}$  life of the bearing should be checked for proper selection and life requirements.

IMPERIAL FEATURES PAGE B10-3	IMPERIAL SPECIFICATION PAGE B10-6	IMPERIAL NOMENCLATURE PAGE B10-9	IMPERIAL DIMENSIONS PAGE B10-20
---------------------------------	--------------------------------------	-------------------------------------	------------------------------------

# DIMENSION



## IMPERIAL - IP Pillow Block 1-1/8 THRU 2-1/4 INCH - 2-BOLT



NOTE: See page B10-22 for 2-3/8 - 4 inch

IMPERIAL FEATURES PAGE B10-3	IMPERIAL SPECIFICATION PAGE B10-6	IMPERIAL NOMENCLATURE PAGE B10-9	IMPERIAL SELECTION PAGE B10-12
---------------------------------	--------------------------------------	-------------------------------------	-----------------------------------



# DIMENSION



## IMPERIAL - IP Pillow Block 1-1/8 THRU 2-1/4 INCH - 2-BOLT

Bearing	Shaft Size Inch	TRIDENT Seal				Labyrinth Seal			
		Non-Expansion		Expansion		Non-Expansion		Expansion	
		Part No.	Part Name	Part No.	Part Name	Part No.	Part Name	Part No.	Part Name
22208	1 - 1/8	<b>069400</b>	P2B-IP-102R	<b>069428</b>	P2B-IP-102RE	<b>069456</b>	P2B-IP-102L	<b>069484</b>	P2B-IP-102LE
	1 - 3/16	<b>069401</b>	P2B-IP-103R	<b>069429</b>	P2B-IP-103RE	<b>069457</b>	P2B-IP-103L	<b>069485</b>	P2B-IP-103LE
	1 - 1/4	<b>069402</b>	P2B-IP-104R	<b>069430</b>	P2B-IP-104RE	<b>069458</b>	P2B-IP-104L	<b>069486</b>	P2B-IP-104LE
	1 - 3/8	<b>069403</b>	P2B-IP-106R	<b>069431</b>	P2B-IP-106RE	<b>069459</b>	P2B-IP-106L	<b>069487</b>	P2B-IP-106LE
	1 - 7/16	<b>069404</b>	P2B-IP-107R	<b>069432</b>	P2B-IP-107RE	<b>069460</b>	P2B-IP-107L	<b>069488</b>	P2B-IP-107LE
	1 - 1/2	<b>069405</b>	P2B-IP-108R	<b>069433</b>	P2B-IP-108RE	<b>069461</b>	P2B-IP-108L	<b>069489</b>	P2B-IP-108LE
22209	1 - 5/8	<b>069406</b>	P2B-IP-110R	<b>069434</b>	P2B-IP-110RE	<b>069462</b>	P2B-IP-110L	<b>069490</b>	P2B-IP-110LE
	1 - 11/16	<b>069407</b>	P2B-IP-111R	<b>069435</b>	P2B-IP-111RE	<b>069463</b>	P2B-IP-111L	<b>069491</b>	P2B-IP-111LE
	1 - 3/4	<b>069408</b>	P2B-IP-112R	<b>069436</b>	P2B-IP-112RE	<b>069464</b>	P2B-IP-112L	<b>069492</b>	P2B-IP-112LE
22210	1-7/8	<b>069409</b>	P2B-IP-114R	<b>069437</b>	P2B-IP-114RE	<b>069465</b>	P2B-IP-114L	<b>069493</b>	P2B-IP-114LE
	1 - 15/16	<b>069410</b>	P2B-IP-115R	<b>069438</b>	P2B-IP-115RE	<b>069466</b>	P2B-IP-115L	<b>069494</b>	P2B-IP-115LE
	2	<b>069411</b>	P2B-IP-200R	<b>069439</b>	P2B-IP-200RE	<b>069467</b>	P2B-IP-200L	<b>069495</b>	P2B-IP-200LE
22211	2 - 3/16	<b>069412</b>	P2B-IP-203R	<b>069440</b>	P2B-IP-203RE	<b>069468</b>	P2B-IP-203L	<b>069496</b>	P2B-IP-203LE
	2 - 1/4	<b>069413</b>	P2B-IP-204R	<b>069441</b>	P2B-IP-204RE	<b>069469</b>	P2B-IP-204L	<b>069497</b>	P2B-IP-204LE

Metric shaft sizes available upon request

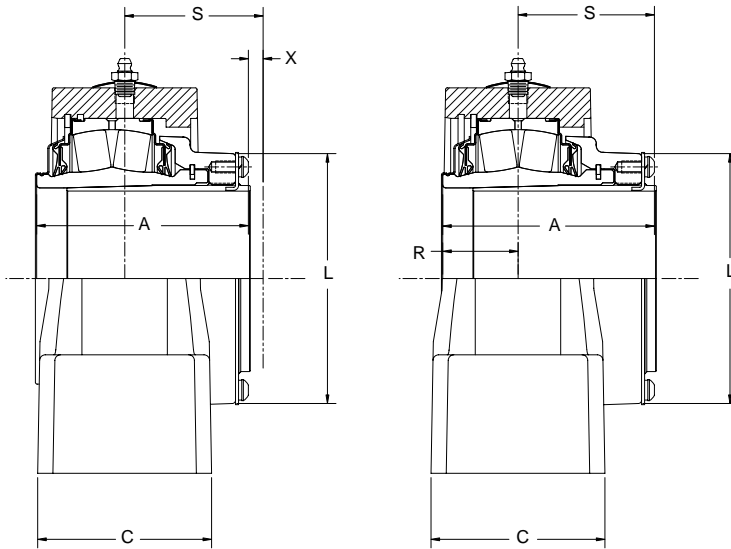
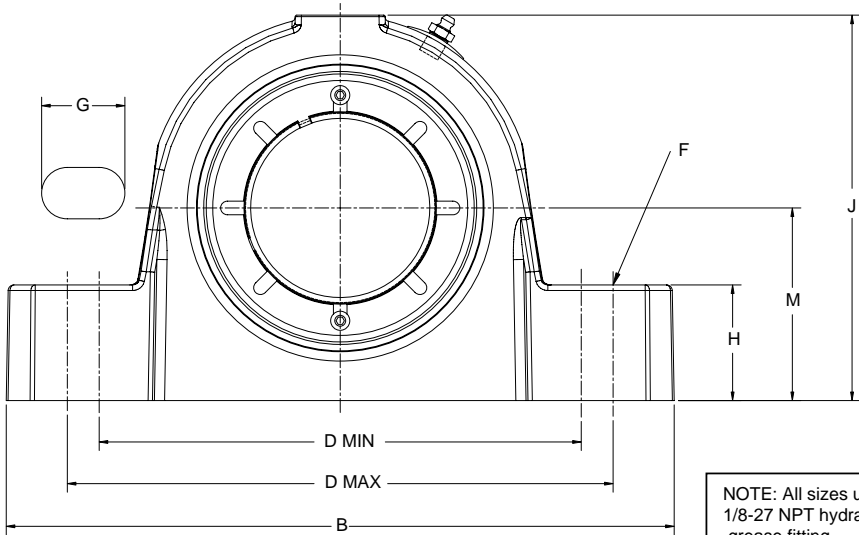
SHAFT SIZE	A	B	C	D		F BOLT DIA.	G	H	J	L	M	R	S	X TOTAL EXP.
				MIN	MAX									
1 - 1/8 1 - 3/16 1 - 1/4 1 - 3/8 1 - 7/16 1 - 1/2	2 - 5/8	6 - 7/8	1 - 61/64	4 - 13/16	5 - 13/64	1/2	13/16	1 - 1/8	3 - 7/8	2 - 23/32	1 - 7/8	7/8	1 - 3/4	3/16
1 - 5/8 1 - 11/16 1 - 3/4	2 - 13/16	7 - 3/8	2 - 1/16	5 - 5/16	5 - 45/64	1/2	13/16	1 - 1/4	4 - 17/64	3	2 - 1/8	13/16	2	1/4
1-7/8 1 - 15/16 2	2 - 55/64	8 - 3/8	2 - 1/2	6 - 1/16	6 - 7/16	5/8	61/64	1 - 5/16	4 - 9/16	3 - 9/32	2 - 1/4	55/64	2	1/4
2 - 3/16 2 - 1/4	3 - 1/32	8 - 7/8	2 - 5/8	6 - 9/16	6 - 15/16	5/8	61/64	1 - 1/2	5	3 - 1/2	2 - 1/2	29/32	2 - 1/8	1/4

IMPERIAL FEATURES PAGE B10-3	IMPERIAL SPECIFICATION PAGE B10-6	IMPERIAL NOMENCLATURE PAGE B10-9	IMPERIAL SELECTION PAGE B10-12
---------------------------------	--------------------------------------	-------------------------------------	-----------------------------------

# DIMENSION



## IMPERIAL - IP Pillow Block 2-3/8 THRU 4 INCH - 2-BOLT



EXPANSION

NON-EXPANSION

**NOTE:** See page B10-20 for 1-1/8 thru 2-1/4 inch

<p>IMPERIAL FEATURES PAGE B10-3</p>	<p>IMPERIAL SPECIFICATION PAGE B10-6</p>	<p>IMPERIAL NOMENCLATURE PAGE B10-9</p>	<p>IMPERIAL SELECTION PAGE B10-12</p>
---	--	---	---



## IMPERIAL - IP Pillow Block 2-3/8 THRU 4 INCH - 2-BOLT

Bearing	Shaft Size Inch	TRIDENT Seal				Labyrinth Seal			
		Non-Expansion		Expansion		Non-Expansion		Expansion	
		Part No.	Part Name	Part No.	Part Name	Part No.	Part Name	Part No.	Part Name
22213	2-3/8	<b>069414</b>	P2B-IP-206R	<b>069442</b>	P2B-IP-206RE	<b>069470</b>	P2B-IP-206L	<b>069498</b>	P2B-IP-206LE
	2 - 7/16	<b>069415</b>	P2B-IP-207R	<b>069443</b>	P2B-IP-207RE	<b>069471</b>	P2B-IP-207L	<b>069499</b>	P2B-IP-207LE
	2 - 1/2	<b>069416</b>	P2B-IP-208R	<b>069444</b>	P2B-IP-208RE	<b>069472</b>	P2B-IP-208L	<b>069500</b>	P2B-IP-208LE
22215	2 - 11/16	<b>069417</b>	P2B-IP-211R	<b>069445</b>	P2B-IP-211RE	<b>069473</b>	P2B-IP-211L	<b>069501</b>	P2B-IP-211LE
	2-3/4	<b>069418</b>	P2B-IP-212R	<b>069446</b>	P2B-IP-212RE	<b>069474</b>	P2B-IP-212L	<b>069502</b>	P2B-IP-212LE
	2 - 15/16	<b>069419</b>	P2B-IP-215R	<b>069447</b>	P2B-IP-215RE	<b>069475</b>	P2B-IP-215L	<b>069503</b>	P2B-IP-215LE
	3	<b>069420</b>	P2B-IP-300R	<b>069448</b>	P2B-IP-300RE	<b>069476</b>	P2B-IP-300L	<b>069504</b>	P2B-IP-300LE
22218	3 - 3/16	<b>069421</b>	P2B-IP-303R	<b>069449</b>	P2B-IP-303RE	<b>069477</b>	P2B-IP-303L	<b>069505</b>	P2B-IP-303LE
	3-1/4	<b>069422</b>	P2B-IP-304R	<b>069450</b>	P2B-IP-304RE	<b>069478</b>	P2B-IP-304L	<b>069506</b>	P2B-IP-304LE
	3 - 7/16	<b>069423</b>	P2B-IP-307R	<b>069451</b>	P2B-IP-307RE	<b>069479</b>	P2B-IP-307L	<b>069507</b>	P2B-IP-307LE
	3 - 1/2	<b>069424</b>	P2B-IP-308R	<b>069452</b>	P2B-IP-308RE	<b>069480</b>	P2B-IP-308L	<b>069508</b>	P2B-IP-308LE
22220	3 - 11/16	<b>069425</b>	P2B-IP-311R	<b>069453</b>	P2B-IP-311RE	<b>069481</b>	P2B-IP-311L	<b>069509</b>	P2B-IP-311LE
	3 - 15/16	<b>069426</b>	P2B-IP-315R	<b>069454</b>	P2B-IP-315RE	<b>069482</b>	P2B-IP-315L	<b>069510</b>	P2B-IP-315LE
	4	<b>069427</b>	P2B-IP-400R	<b>069455</b>	P2B-IP-400RE	<b>069483</b>	P2B-IP-400L	<b>069511</b>	P2B-IP-400LE

Metric shaft sizes available upon request

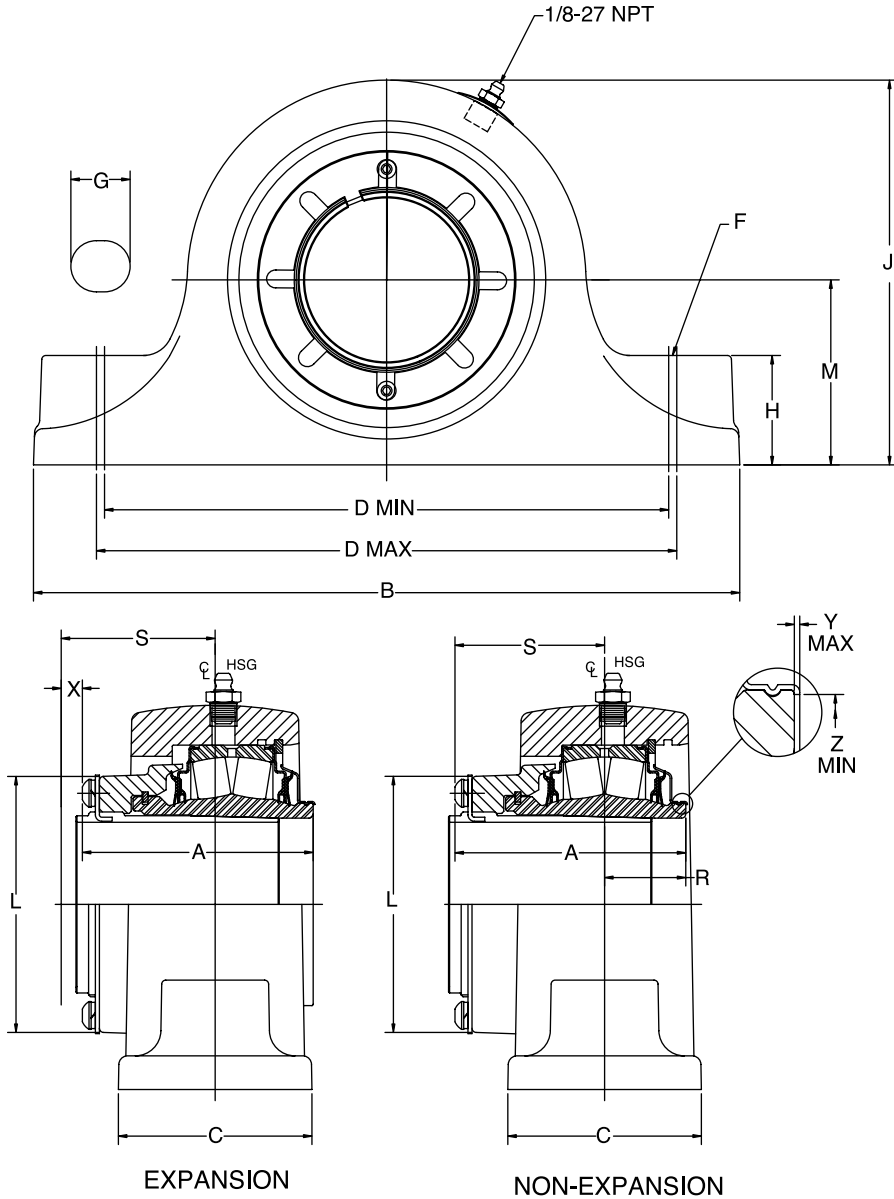
SHAFT SIZE	A	B	C	D		F BOLT DIA.	G	H	J	L	M	R	S	X TOTAL EXP.
				MIN	MAX									
2-3/8														
2 - 7/16	3 - 27/64	9 - 1/4	2 - 55/64	6 - 15/16	7 - 5/16	5/8	61/64	1 - 5/8	5 - 19/32	3 - 7/8	2 - 3/4	1 - 13/64	2 - 7/32	1/4
2 - 1/2														
2 - 11/16														
2-3/4	3 - 1/2	10 - 7/16	3 - 5/64	7 - 15/16	8 - 5/16	3/4	1 - 1/16	1 - 7/8	6 - 3/8	4 - 9/32	3 - 1/4	1 - 15/64	2 - 17/64	1/4
2 - 15/16														
3														
3 - 3/16														
3-1/4	4 - 11/64	13	3 - 27/64	9 - 3/8	10 - 5/8	7/8	1 - 5/8	2 - 1/4	7 - 1/2	5	3 - 3/4	1 - 31/64	2 - 11/16	1/4
3 - 7/16														
3 - 1/2														
3 - 11/16														
3 - 15/16	4 - 45/64	15 - 1/4	3 - 29/32	10 - 5/8	12 - 7/8	1	2 - 1/4	2 - 7/16	8 - 3/8	5 - 9/16	4 - 1/4	1 - 41/64	3 - 1/16	5/16
4														

IMPERIAL FEATURES PAGE B10-3	IMPERIAL SPECIFICATION PAGE B10-6	IMPERIAL NOMENCLATURE PAGE B10-9	IMPERIAL SELECTION PAGE B10-12
---------------------------------	--------------------------------------	-------------------------------------	-----------------------------------

# DIMENSION



## IMPERIAL - IP Pillow Block with Type E Dimensions 1-3/8 THRU 2-3/16 INCH 2-BOLT



**NOTE:** See page B10-26 for 2-1/4 thru 3-1/2 inch

IMPERIAL FEATURES PAGE B10-3	IMPERIAL SPECIFICATION PAGE B10-6	IMPERIAL NOMENCLATURE PAGE B10-9	IMPERIAL SELECTION PAGE B10-12
---------------------------------	--------------------------------------	-------------------------------------	-----------------------------------



## IMPERIAL - IP Pillow Block with Type E Dimensions 1-3/8 THRU 2-3/16 INCH 2-BOLT

Bearing Series	Shaft Size*	TRIDENT SEAL				Labyrinth Seal			
		Non Expansion		Expansion		Non Expansion		Expansion	
		Part No.	Part Name	Part No.	Part Name	Part No.	Part Name	Part No.	Part Name
22208	1-3/8	<b>071120</b>	EP2B-IP-106R	<b>071141</b>	EP2B-IP-106RE	<b>071162</b>	EP2B-IP-106L	<b>071183</b>	EP2B-IP-106LE
	1-7/16	<b>071121</b>	EP2B-IP-107R	<b>071142</b>	EP2B-IP-107RE	<b>071163</b>	EP2B-IP-107L	<b>071184</b>	EP2B-IP-107LE
22209	1-1/2	<b>071122</b>	EP2B-IP-108R	<b>071143</b>	EP2B-IP-108RE	<b>071164</b>	EP2B-IP-108L	<b>071185</b>	EP2B-IP-108LE
	1-5/8	<b>071123</b>	EP2B-IP-110R	<b>071144</b>	EP2B-IP-110RE	<b>071165</b>	EP2B-IP-110L	<b>071186</b>	EP2B-IP-110LE
	1-11/16	<b>071124</b>	EP2B-IP-111R	<b>071145</b>	EP2B-IP-111RE	<b>071166</b>	EP2B-IP-111L	<b>071187</b>	EP2B-IP-111LE
22210	1-3/4	<b>071125</b>	EP2B-IP-112R	<b>071146</b>	EP2B-IP-112RE	<b>071167</b>	EP2B-IP-112L	<b>071188</b>	EP2B-IP-112LE
	1-7/8	<b>071126</b>	EP2B-IP-114R	<b>071147</b>	EP2B-IP-114RE	<b>071168</b>	EP2B-IP-114L	<b>071189</b>	EP2B-IP-114LE
	1-15/16	<b>071127</b>	EP2B-IP-115R	<b>071148</b>	EP2B-IP-115RE	<b>071169</b>	EP2B-IP-115L	<b>071190</b>	EP2B-IP-115LE
	2	<b>071128</b>	EP2B-IP-200R	<b>071149</b>	EP2B-IP-200RE	<b>071170</b>	EP2B-IP-200L	<b>071191</b>	EP2B-IP-200LE
22211	2-3/16	<b>071129</b>	EP2B-IP-203R	<b>071150</b>	EP2B-IP-203RE	<b>071171</b>	EP2B-IP-203L	<b>071192</b>	EP2B-IP-203LE

\*CONSULT DODGE FOR SIZES NOT LISTED

SHAFT SIZE	A	B #	C #	D		F BOLT DIA.	G #	H #	J #	L	M	R	S	X TOTAL EXP.	Y	Z
				MIN	MAX											
1-3/8 1-7/16	2.63	7.37	2.12	5.63	5.88	1/2	0.75	1.13	3.85	2.72	1.875	1.04	1.59	0.16	0.020	1.80
1-1/2 1-5/8 1-11/16	2.81	7.88	2.38	6.13	6.38	1/2	0.75	1.25	4.25	3.00	2.125	0.98	1.83	0.19	0.020	2.08
1-3/4 1-7/8 1-15/16 2	2.86	8.87	2.49	6.88	7.12	5/8	0.88	1.31	4.47	3.28	2.250	1.10	1.76	0.22	0.020	2.30
2-3/16	3.03	9.62	2.56	7.63	7.88	5/8	0.88	1.50	5.00	3.50	2.500	1.06	1.97	0.25	0.025	2.60

NOTES: "A" AND "R" DIMENSIONS DO NOT INCLUDE "Y" DIMENSION

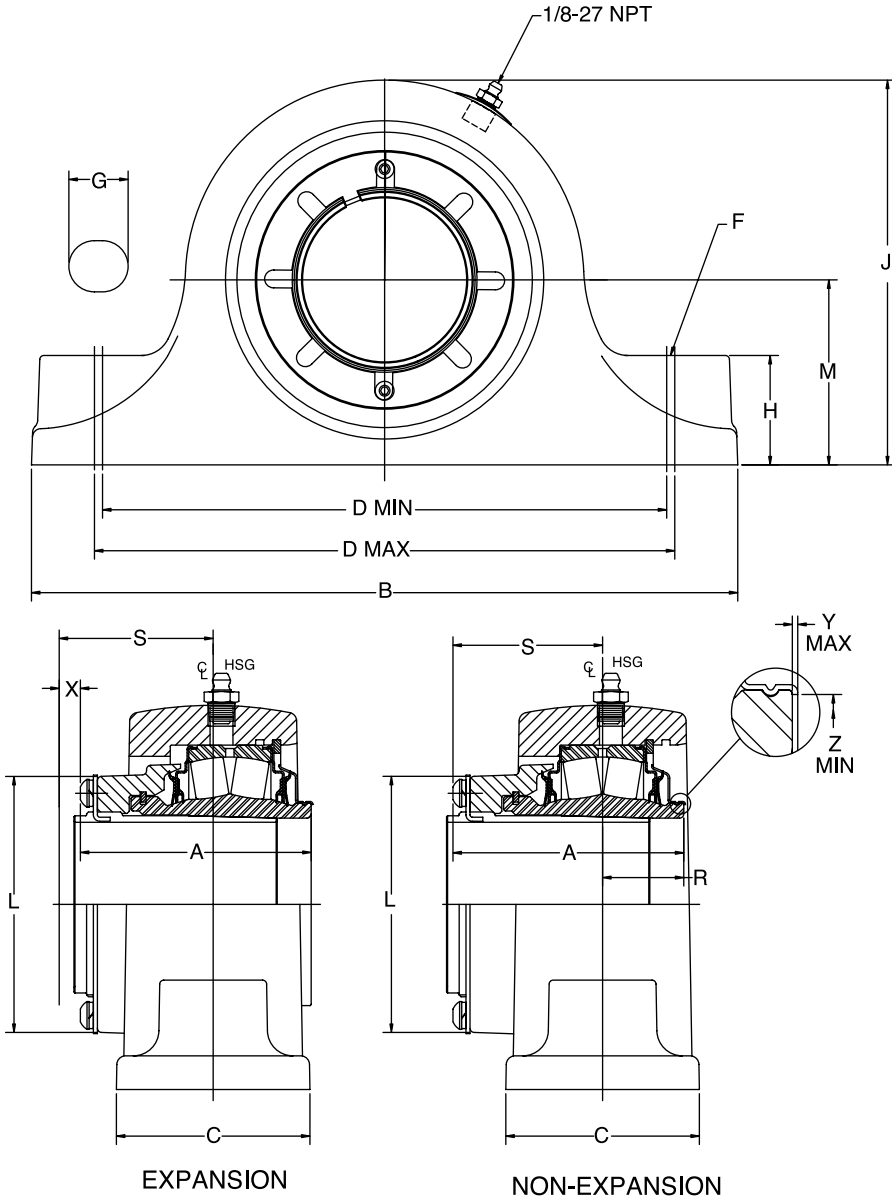
# REFERENCE DIMENSION ONLY

IMPERIAL FEATURES PAGE B10-3	IMPERIAL SPECIFICATION PAGE B10-6	IMPERIAL NOMENCLATURE PAGE B10-9	IMPERIAL SELECTION PAGE B10-12
---------------------------------	--------------------------------------	-------------------------------------	-----------------------------------

# DIMENSION



## IMPERIAL - IP Pillow Block with Type E Dimensions 2-1/4 THRU 3-1/2 INCH 2-BOLT



**NOTE:** See page B10-24 for 1-3/8 thru 2-3/16 inch

<p>IMPERIAL FEATURES PAGE B10-3</p>	<p>IMPERIAL SPECIFICATION PAGE B10-6</p>	<p>IMPERIAL NOMENCLATURE PAGE B10-9</p>	<p>IMPERIAL SELECTION PAGE B10-12</p>
---	--	---	---



## IMPERIAL - IP Pillow Block with Type E Dimensions 2-1/4 THRU 3-1/2 INCH 2-BOLT

Bearing Series	Shaft Size*	TRIDENT Seal				Labyrinth SEAL			
		Non Expansion		Expansion		Non Expansion		Expansion	
		Part No.	Part Name	Part No.	Part Name	Part No.	Part Name	Part No.	Part Name
22213	2-1/4	071130	EP2B-IP-204R	071151	EP2B-IP-204RE	071172	EP2B-IP-204L	071193	EP2B-IP-204LE
	2-7/16	071131	EP2B-IP-207R	071152	EP2B-IP-207RE	071173	EP2B-IP-207L	071194	EP2B-IP-207LE
	2-1/2	071132	EP2B-IP-208R	071153	EP2B-IP-208RE	071174	EP2B-IP-208L	071195	EP2B-IP-208LE
22215	2-11/16	071133	EP2B-IP-211R	071154	EP2B-IP-211RE	071175	EP2B-IP-211L	071196	EP2B-IP-211LE
	2-3/4	071134	EP2B-IP-212R	071155	EP2B-IP-212RE	071176	EP2B-IP-212L	071197	EP2B-IP-212LE
	2-15/16	071135	EP2B-IP-215R	071156	EP2B-IP-215RE	071177	EP2B-IP-215L	071198	EP2B-IP-215LE
	3	071136	EP2B-IP-300R	071157	EP2B-IP-300RE	071178	EP2B-IP-300L	071199	EP2B-IP-300LE
22218	3-3/16	071137	EP2B-IP-303R	071158	EP2B-IP-303RE	071179	EP2B-IP-303L	071200	EP2B-IP-303LE
	3-1/4	071138	EP2B-IP-304R	071159	EP2B-IP-304RE	071180	EP2B-IP-304L	071201	EP2B-IP-304LE
	3-7/16	071139	EP2B-IP-307R	071160	EP2B-IP-307RE	071181	EP2B-IP-307L	071202	EP2B-IP-307LE
	3-1/2	071140	EP2B-IP-308R	071161	EP2B-IP-308RE	071182	EP2B-IP-308L	071203	EP2B-IP-308LE

\*CONSULT DODGE FOR SIZES NOT LISTED

SHAFT SIZE	A	B #	C #	D		F BOLT DIA.	G #	H #	J #	L	M	R	S	X TOTAL EXP.	Y	Z
				MIN	MAX											
2-1/4																
2-7/16	3.42	10.50	2.87	8.38	8.62	5/8	0.88	1.63	5.71	3.88	2.750	1.20	2.22	0.25	0.025	2.95
2-1/2																
2-11/16																
2-3/4	3.50	12.00	2.99	9.31	9.69	3/4	1.07	1.88	6.32	4.28	3.125	1.35	2.15	0.25	0.025	3.47
2-15/16																
3																
3-3/16																
3-1/4	4.17	14.00	3.49	10.81	11.19	7/8	1.19	2.25	7.69	5.00	3.750	1.51	2.66	0.25	0.025	4.05
3-7/16																
3-1/2																

NOTES: "A" AND "R" DIMENSIONS DO NOT INCLUDE "Y" DIMENSION

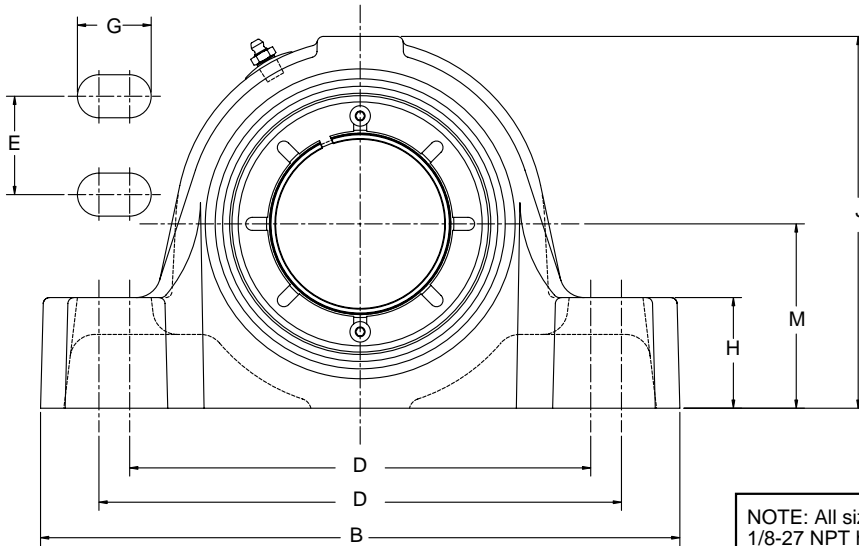
# REFERENCE DIMENSION ONLY

IMPERIAL FEATURES PAGE B10-3	IMPERIAL SPECIFICATION PAGE B10-6	IMPERIAL NOMENCLATURE PAGE B10-9	IMPERIAL SELECTION PAGE B10-12
---------------------------------	--------------------------------------	-------------------------------------	-----------------------------------

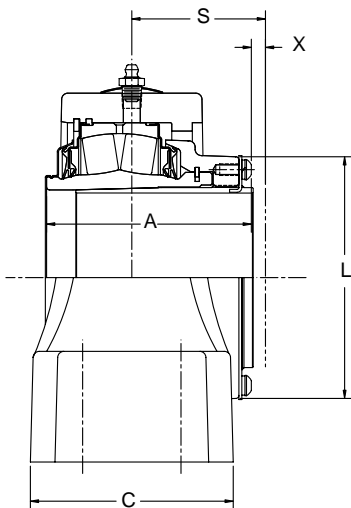
# DIMENSION



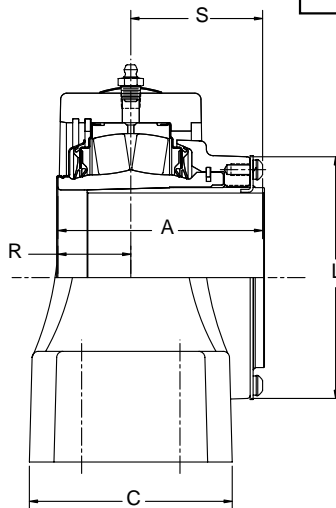
## IMPERIAL - IP Pillow Block 2-3/8 THRU 3-1/2 INCH - 4-BOLT



NOTE: All sizes use a 1/8-27 NPT hydraulic grease fitting



EXPANSION



NON-EXPANSION

NOTE: See page B10-30 for 3-11/16 thru 5 inch

<p>IMPERIAL FEATURES PAGE B10-3</p>	<p>IMPERIAL SPECIFICATION PAGE B10-6</p>	<p>IMPERIAL NOMENCLATURE PAGE B10-9</p>	<p>IMPERIAL SELECTION PAGE B10-12</p>
---	--	---	---



# DIMENSION



## IMPERIAL - IP Pillow Block 2-3/8 THRU 3-1/2 INCH - 4-BOLT

Bearing	Shaft Size Inch	TRIDENT Seal				Labyrinth Seal			
		Non-Expansion		Expansion		Non-Expansion		Expansion	
		Part No.	Part Name	Part No.	Part Name	Part No.	Part Name	Part No.	Part Name
22213	2 - 3/8	<b>069520</b>	P4B-IP-206R	<b>069538</b>	P4B-IP-206RE	<b>069556</b>	P4B-IP-206L	<b>069574</b>	P4B-IP-206LE
	2 - 7/16	<b>069521</b>	P4B-IP-207R	<b>069539</b>	P4B-IP-207RE	<b>069557</b>	P4B-IP-207L	<b>069575</b>	P4B-IP-207LE
	2 - 1/2	<b>069522</b>	P4B-IP-208R	<b>069540</b>	P4B-IP-208RE	<b>069558</b>	P4B-IP-208L	<b>069576</b>	P4B-IP-208LE
22215	2 - 11/16	<b>069523</b>	P4B-IP-211R	<b>069541</b>	P4B-IP-211RE	<b>069559</b>	P4B-IP-211L	<b>069577</b>	P4B-IP-211LE
	2 - 3/4	<b>069524</b>	P4B-IP-212R	<b>069542</b>	P4B-IP-212RE	<b>069560</b>	P4B-IP-212L	<b>069578</b>	P4B-IP-212LE
	2 - 15/16	<b>069525</b>	P4B-IP-215R	<b>069543</b>	P4B-IP-215RE	<b>069561</b>	P4B-IP-215L	<b>069579</b>	P4B-IP-215LE
	3	<b>069526</b>	P4B-IP-300R	<b>069544</b>	P4B-IP-300RE	<b>069562</b>	P4B-IP-300L	<b>069580</b>	P4B-IP-300LE
22218	3 - 3/16	<b>069527</b>	P4B-IP-303R	<b>069545</b>	P4B-IP-303RE	<b>069563</b>	P4B-IP-303L	<b>069581</b>	P4B-IP-303LE
	3 - 1/4	<b>069528</b>	P4B-IP-304R	<b>069546</b>	P4B-IP-304RE	<b>069564</b>	P4B-IP-304L	<b>069582</b>	P4B-IP-304LE
	3 - 7/16	<b>069529</b>	P4B-IP-307R	<b>069547</b>	P4B-IP-307RE	<b>069565</b>	P4B-IP-307L	<b>069583</b>	P4B-IP-307LE
	3 - 1/2	<b>069530</b>	P4B-IP-308R	<b>069548</b>	P4B-IP-308RE	<b>069566</b>	P4B-IP-308L	<b>069584</b>	P4B-IP-308LE

Metric shaft sizes available upon request

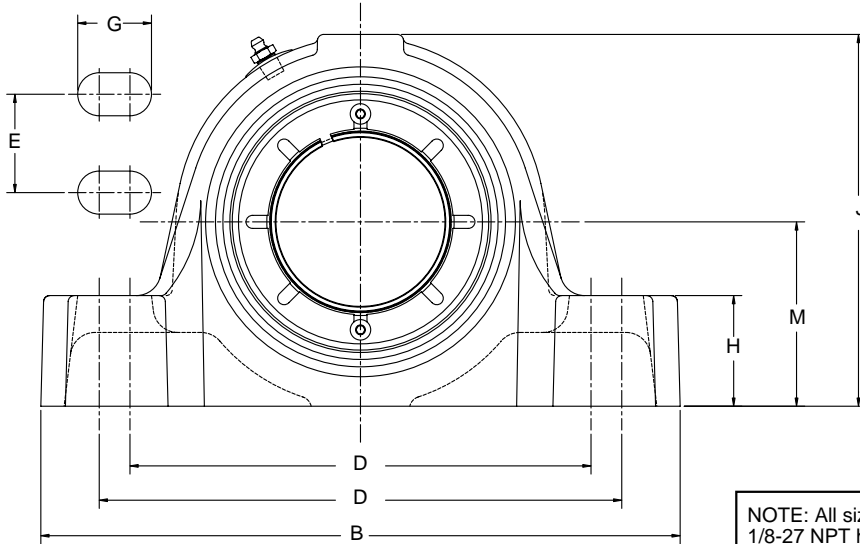
SHAFT SIZE	A	B	C	D		E	F BOLT DIA.	G	H	J	L	M	R	S	X TOTAL EXP.
				MIN	MAX										
2 - 3/8															
2 - 7/16	3 - 27/64	9 - 1/4	3 - 3/8	6 - 15/16	7 - 5/16	1 - 3/4	1/2	13/16	1 - 5/8	5 - 19/32	3 - 7/8	2 - 3/4	1 - 5/64	2 - 11/32	1/4
2 - 1/2															
2 - 11/16															
2 - 3/4	3 - 1/2	10 - 7/16	3 - 3/4	7 - 15/16	8 - 5/16	1 - 7/8	5/8	15/16	1 - 7/8	6 - 7/16	4 - 9/32	3 - 1/4	1 - 3/32	2 - 13/32	1/4
2 - 15/16															
3															
3 - 3/16	4 - 11/64	13	4 - 1/8	9 - 3/8	10 - 5/8	2	3/4	1 - 1/2	2 - 1/4	7 - 9/16	5	3 - 3/4	1 - 7/16	2 - 47/64	1/4
3 - 1/4															
3 - 7/16															
3 - 1/2															

IMPERIAL FEATURES PAGE B10-3	IMPERIAL SPECIFICATION PAGE B10-6	IMPERIAL NOMENCLATURE PAGE B10-9	IMPERIAL SELECTION PAGE B10-12
---------------------------------	--------------------------------------	-------------------------------------	-----------------------------------

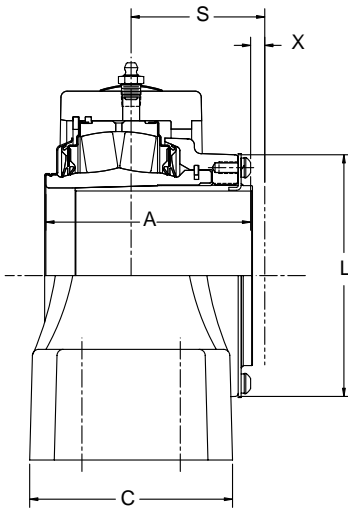
# DIMENSION



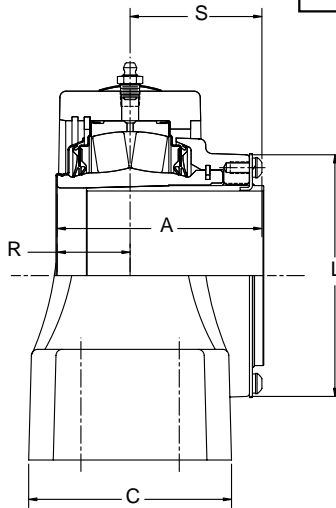
## IMPERIAL - IP Pillow Block 3-11/16 THRU 5 INCH - 4-BOLT



NOTE: All sizes use a 1/8-27 NPT hydraulic grease fitting



EXPANSION



NON-EXPANSION

NOTE: See page B10-25 for 2-3/8 thru 3-1/2 inch

<p>IMPERIAL FEATURES PAGE B10-3</p>	<p>IMPERIAL SPECIFICATION PAGE B10-6</p>	<p>IMPERIAL NOMENCLATURE PAGE B10-9</p>	<p>IMPERIAL SELECTION PAGE B10-12</p>
---	--	---	---

# DIMENSION



## IMPERIAL - IP Pillow Block 3-11/16 THRU 5 INCH - 4-BOLT

Bearing	Shaft Size Inch	TRIDENT Seal				Labyrinth Seal			
		Non-Expansion		Expansion		Non-Expansion		Expansion	
		Part No.	Part Name	Part No.	Part Name	Part No.	Part Name	Part No.	Part Name
22220	3 - 11/16	<b>069531</b>	P4B-IP-311R	<b>069549</b>	P4B-IP-311RE	<b>069567</b>	P4B-IP-311L	<b>069585</b>	P4B-IP-311LE
	3 - 15/16	<b>069532</b>	P4B-IP-315R	<b>069550</b>	P4B-IP-315RE	<b>069568</b>	P4B-IP-315L	<b>069586</b>	P4B-IP-315LE
	4	<b>069533</b>	P4B-IP-400R	<b>069551</b>	P4B-IP-400RE	<b>069569</b>	P4B-IP-400L	<b>069587</b>	P4B-IP-400LE
22222	4 - 7/16	<b>069534</b>	P4B-IP-407R	<b>069552</b>	P4B-IP-407RE	<b>069570</b>	P4B-IP-407L	<b>069588</b>	P4B-IP-407LE
	4 - 1/2	<b>069535</b>	P4B-IP-408R	<b>069553</b>	P4B-IP-408RE	<b>069571</b>	P4B-IP-408L	<b>069589</b>	P4B-IP-408LE
22226	4 - 15/16	<b>069536</b>	P4B-IP-415R	<b>069554</b>	P4B-IP-415RE	<b>069572</b>	P4B-IP-415L	<b>069590</b>	P4B-IP-415LE
	5	<b>069537</b>	P4B-IP-500R	<b>069555</b>	P4B-IP-500RE	<b>069573</b>	P4B-IP-500L	<b>069591</b>	P4B-IP-500LE

Metric shaft sizes available upon request

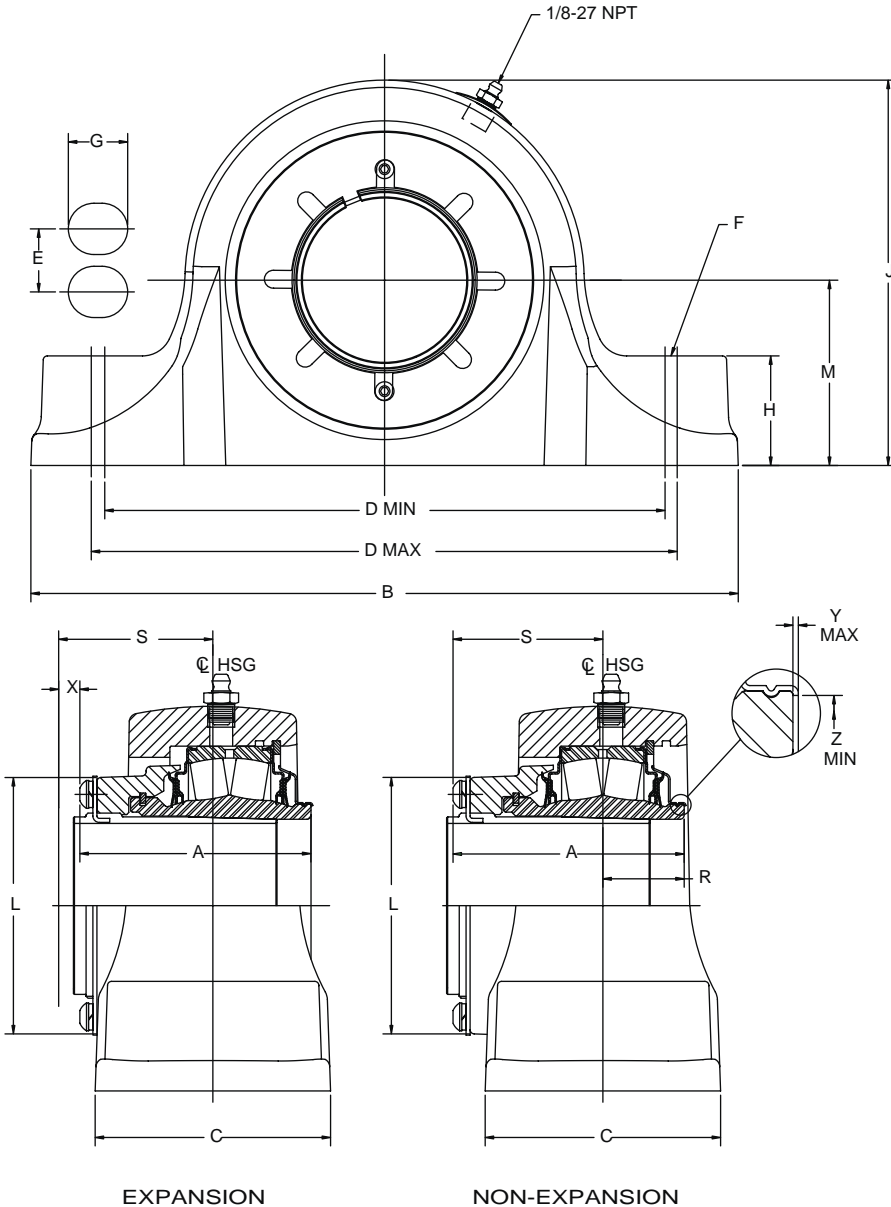
SHAFT SIZE	A	B	C	D		E	F BOLT DIA.	G	H	J	L	M	R	S	X TOTAL EXP.
				MIN	MAX										
3 - 11/16															
3 - 15/16	4 - 45/64	15 - 1/4	4 - 1/2	12 - 1/8	12 - 7/8	2 - 1/4	3/4	1 - 1/4	2 - 7/16	8 - 7/16	5 - 9/16	4 - 1/4	1 - 41/64	3 - 1/16	5/16
4															
4 - 7/16															
4 - 1/2	5 - 15/64	16 - 1/2	4 - 3/4	13	14	2 - 1/2	3/4	1 - 3/8	2 - 3/4	9 - 5/8	6 - 7/16	4 - 3/4	1 - 3/4	3 - 31/64	3/8
4 - 15/16															
5	5 - 63/64	18 - 5/8	5 - 3/8	15	16	2 - 3/4	7/8	1 - 1/2	3	11 - 1/8	7 - 5/8	5 - 1/2	1 - 29/32	4 - 5/64	3/8

IMPERIAL FEATURES PAGE B10-3	IMPERIAL SPECIFICATION PAGE B10-6	IMPERIAL NOMENCLATURE PAGE B10-9	IMPERIAL SELECTION PAGE B10-12
---------------------------------	--------------------------------------	-------------------------------------	-----------------------------------

# DIMENSION



## IMPERIAL - IP Pillow Block with Type E Dimensions 2-1/4 THRU 7 INCH - 4-BOLT



IMPERIAL FEATURES PAGE B10-3	IMPERIAL SPECIFICATION PAGE B10-6	IMPERIAL NOMENCLATURE PAGE B10-9	IMPERIAL SELECTION PAGE B10-12
---------------------------------	--------------------------------------	-------------------------------------	-----------------------------------



## IMPERIAL - IP Pillow Block with Type E Dimensions 2-1/4 THRU 7 INCH - 4-BOLT

Bearing Series	Shaft Size*	TRIDENT Seal				Labyrinth Seal			
		Non Expansion		Expansion		Non Expansion		Expansion	
		Part No.	Part Name	Part No.	Part Name	Part No.	Part Name	Part No.	Part Name
22213	2-1/4	071204	EP4B-IP-204R	071221	EP4B-IP-204RE	071238	EP4B-IP-204L	071255	EP4B-IP-204LE
	2-7/16	071205	EP4B-IP-207R	071222	EP4B-IP-207RE	071239	EP4B-IP-207L	071256	EP4B-IP-207LE
	2-1/2	071206	EP4B-IP-208R	071223	EP4B-IP-208RE	071240	EP4B-IP-208L	071257	EP4B-IP-208LE
22215	2-11/16	071207	EP4B-IP-211R	071224	EP4B-IP-211RE	071241	EP4B-IP-211L	071258	EP4B-IP-211LE
	2-3/4	071208	EP4B-IP-212R	071225	EP4B-IP-212RE	071242	EP4B-IP-212L	071259	EP4B-IP-212LE
	2-15/16	071209	EP4B-IP-215R	071226	EP4B-IP-215RE	071243	EP4B-IP-215L	071260	EP4B-IP-215LE
	3	071210	EP4B-IP-300R	071227	EP4B-IP-300RE	071244	EP4B-IP-300L	071261	EP4B-IP-300LE
22218	3-3/16	071211	EP4B-IP-303R	071228	EP4B-IP-303RE	071245	EP4B-IP-303L	071262	EP4B-IP-303LE
	3-1/4	071212	EP4B-IP-304R	071229	EP4B-IP-304RE	071246	EP4B-IP-304L	071263	EP4B-IP-304LE
	3-7/16	071213	EP4B-IP-307R	071230	EP4B-IP-307RE	071247	EP4B-IP-307L	071264	EP4B-IP-307LE
	3-1/2	071214	EP4B-IP-308R	071231	EP4B-IP-308RE	071248	EP4B-IP-308L	071265	EP4B-IP-308LE
22220	3-15/16	071215	EP4B-IP-315R	071232	EP4B-IP-315RE	071249	EP4B-IP-315L	071266	EP4B-IP-315LE
	4	071216	EP4B-IP-400R	071233	EP4B-IP-400RE	071250	EP4B-IP-400L	071267	EP4B-IP-400LE
22222	4-7/16	071217	EP4B-IP-407R	071234	EP4B-IP-407RE	071251	EP4B-IP-407L	071268	EP4B-IP-407LE
	4-1/2	071218	EP4B-IP-408R	071235	EP4B-IP-408RE	071252	EP4B-IP-408L	071269	EP4B-IP-408LE
22226	4-15/16	071219	EP4B-IP-415R	071236	EP4B-IP-415RE	071253	EP4B-IP-415L	071270	EP4B-IP-415LE
	5	071220	EP4B-IP-500R	071237	EP4B-IP-500RE	071254	EP4B-IP-500L	071271	EP4B-IP-500LE
22228	5-7/16	071610	EP4B-IP-507R	071618	EP4B-IP-507RE	071626	EP4B-IP-507L	071634	EP4B-IP-507LE
	5-1/2	071611	EP4B-IP-508R	071619	EP4B-IP-508RE	071627	EP4B-IP-508L	071635	EP4B-IP-508LE
22232	5-15/16	071612	EP4B-IP-515R	071620	EP4B-IP-515RE	071628	EP4B-IP-515L	071636	EP4B-IP-515LE
	6	071613	EP4B-IP-600R	071621	EP4B-IP-600RE	071629	EP4B-IP-600L	071637	EP4B-IP-600LE
22236	6-7/16	071614	EP4B-IP-607R	071622	EP4B-IP-607RE	071630	EP4B-IP-607L	071638	EP4B-IP-607LE
	6-1/2	071615	EP4B-IP-608R	071623	EP4B-IP-608RE	071631	EP4B-IP-608L	071639	EP4B-IP-608LE
	6-15/16	071616	EP4B-IP-615R	071624	EP4B-IP-615RE	071632	EP4B-IP-615L	071640	EP4B-IP-615LE
	7	071617	EP4B-IP-700R	071625	EP4B-IP-700RE	071633	EP4B-IP-700L	071641	EP4B-IP-700LE

\*CONSULT DODGE FOR SIZES NOT LISTED

SHAFT SIZE	A	B#	C#	D		E	F BOLT DIA.	G#	H#	J#	L	M	R	S	X TOTAL EXP.	Y	Z
				MIN	MAX												
2-1/4 2-7/16 2-1/2	3.42	10.50	3.49	8.31	8.69	1.87	5/8	0.87	1.63	5.72	3.88	2.750	1.21	2.21	0.25	0.025	2.94
2-11/16 2-3/4 2-15/16 3	3.50	12.00	4.00	9.18	9.82	2.13	5/8	1.00	1.88	6.33	4.28	3.125	1.35	2.15	0.25	0.025	3.47
3-3/16 3-1/4 3-7/16 3-1/2	4.17	13.50	4.49	10.75	11.25	2.37	3/4	1.13	2.25	7.69	5.00	3.750	1.54	2.63	0.25	0.025	4.05
3-15/16 4	4.70	15.25	4.50	12.25	12.75	2.25	3/4	1.13	2.44	8.70	5.56	4.250	1.35	3.35	0.31	0.025	4.50
4-7/16 4-1/2	5.23	16.63	4.63	13.25	13.75	2.50	3/4	1.13	2.75	9.67	6.44	4.750	1.82	3.41	0.38	0.036	5.00
4-15/16 5	5.98	18.50	5.13	15.25	15.75	2.87	7/8	1.25	3.00	11.16	7.63	5.500	1.93	4.05	0.38	0.036	5.84
5-7/16 5-1/2	6.17	22	6.25	17.38	19.12	3.75	1	2	3.25	13.19	8.75	6.69	1.4	4.77	0.38	0.036	5.92
5-15/16 6	7.08	22	6.25	17.38	19.12	3.75	1	2	3.25	13.19	10.25	6.69	2.66	4.42	0.38	0.036	7.02
6-7/16 6-1/2 6-15/16 7	7.39	26	7.12	21.25	23.25	4.62	1	2	3.69	14.94	11.41	7.5	2.46	4.94	0.36	0.036	7.89

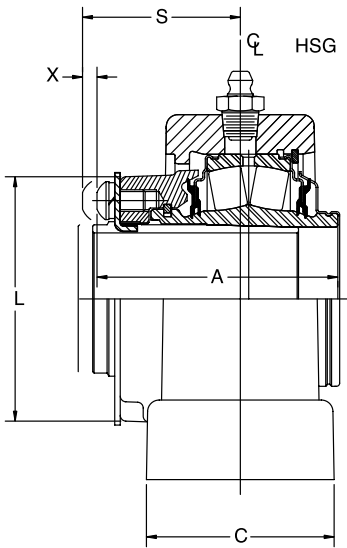
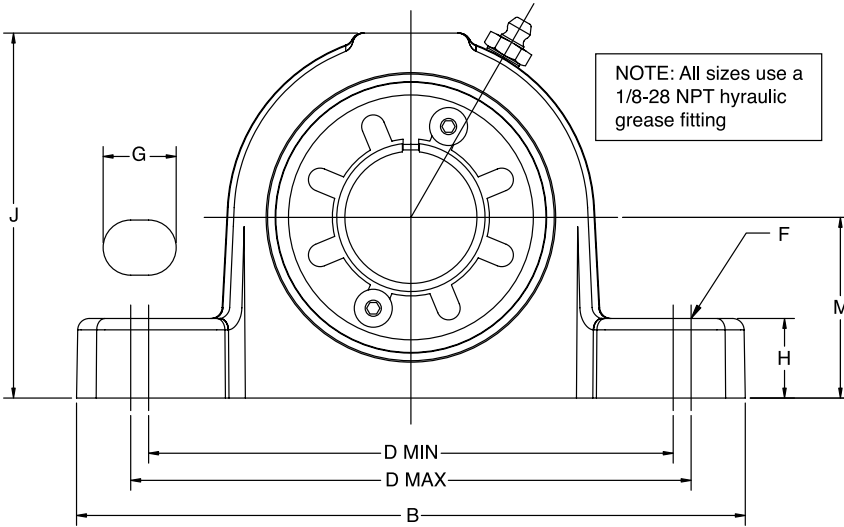
NOTES: "A" AND "R" DIMENSIONS DO NOT INCLUDE "Y" DIMENSION  
# REFERENCE DIMENSION ONLY

IMPERIAL FEATURES PAGE B10-3	IMPERIAL SPECIFICATION PAGE B10-6	IMPERIAL NOMENCLATURE PAGE B10-9	IMPERIAL SELECTION PAGE B10-12
---------------------------------	--------------------------------------	-------------------------------------	-----------------------------------

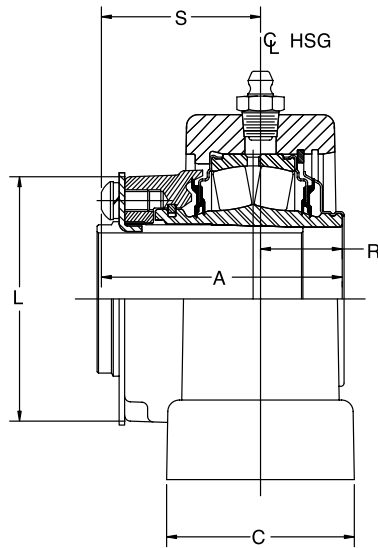
# DIMENSION



## IMPERIAL - ISN Metric Pillow Block 30 THROUGH 125mm, 2-BOLT



EXPANSION



NON-EXPANSION

<p>IMPERIAL FEATURES PAGE B10-3</p>	<p>IMPERIAL SPECIFICATION PAGE B10-6</p>	<p>IMPERIAL NOMENCLATURE PAGE B10-9</p>	<p>IMPERIAL SELECTION PAGE B10-12</p>
---	--	---	---



## IMPERIAL - ISN Metric Pillow Block 30 THROUGH 125mm, 2-BOLT

Bearing	Shaft Size mm	TRIDENT Seal				Labyrinth Seal			
		NON-EXPANSION		EXPANSION		NON-EXPANSION		EXPANSION	
		Part Number	Description	Part Number	Description	Part Number	Description	Part Number	Description
22208	30	071000	ISN 507-030MFR	071017	ISN 507-030MLR	071034	ISN 507-030MFS	071051	ISN 507-030MLS
	35	071001	ISN 508-035MFR	071018	ISN 508-035MLR	071035	ISN 508-035MFS	071052	ISN 508-035MLS
22209	40	071002	ISN 509-040MFR	071019	ISN 509-040MLR	071036	ISN 509-040MFS	071053	ISN 509-040MLS
22210	45	071003	ISN 510-045MFR	071020	ISN 510-045MLR	071037	ISN 510-045MFS	071054	ISN 510-045MLS
	50	071004	ISN 511-050MFR	071021	ISN 511-050MLR	071038	ISN 511-050MFS	071055	ISN 511-050MLS
22211	55	071005	ISN 512-055MFR	071022	ISN 512-055MLR	071039	ISN 512-055MFS	071056	ISN 512-055MLS
22213	60	071006	ISN 513-060MFR	071023	ISN 513-060MLR	071040	ISN 513-060MFS	071057	ISN 513-060MLS
22215	65	071007	ISN 515-065MFR	071024	ISN 515-065MLR	071041	ISN 515-065MFS	071058	ISN 515-065MLS
	70	071008	ISN 516-070MFR	071025	ISN 516-070MLR	071042	ISN 516-070MFS	071059	ISN 516-070MLS
	75	071009	ISN 517-075MFR	071026	ISN 517-075MLR	071043	ISN 517-075MFS	071060	ISN 517-075MLS
22218	80	071010	ISN 518-080MFR	071027	ISN 518-080MLR	071044	ISN 518-080MFS	071061	ISN 518-080MLS
	85	071011	ISN 519-085MFR	071028	ISN 519-085MLR	071045	ISN 519-085MFS	071062	ISN 519-085MLS
22220	90	071012	ISN 520-090MFR	071029	ISN 520-090MLR	071046	ISN 520-090MFS	071063	ISN 520-090MLS
	100	071013	ISN 522-100MFR	071030	ISN 522-100MLR	071047	ISN 522-100MFS	071064	ISN 522-100MLS
22222	110	071014	ISN 524-110-MFR	071031	ISN 524-110MLR	071048	ISN 524-110MFS	071065	ISN 524-110MLS
22226	115	071015	ISN 526-115MFR	071032	ISN 526-115MLR	071049	ISN 526-115MFS	071066	ISN 526-115MLS
	125	071016	ISN 528-125MFR	071033	ISN 528-125MLR	071050	ISN 528-125MFS	071067	ISN 528-125MLS

F = Non-Expansion, L = Expansion, R = Trident Rubbing Seal; S = Labyrinth Seal

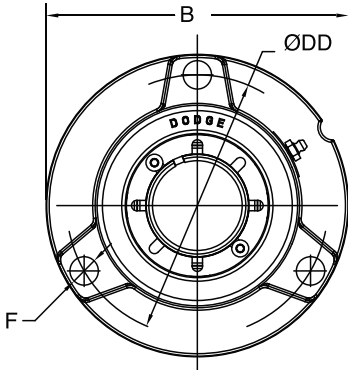
Shaft Size mm	A	B	C	D		F BOLT DIA	G	H	J	L	M	R	S	X TOTAL EXPANSION
				min	max									
30	66.7	184.9	52.0	145.0	155.0	M12	20	22	100.9	67.6	50	22.6	44.1	4
35	66.7	205.9	60.2	150.0	174.6	M12	27.3	25	110.8	67.6	60	22.6	44.1	4
40	71.4	206.3	60.2	155.0	174.6	M12	24.8	25	114	74.7	60	20.6	50.8	6.5
45	72.6	204.9	60.2	160.0	175.0	M12	22.5	25	113.8	81	60	21.1	51.4	6.5
50	72.6	253.9	70.2	190.0	215.9	M16	31	28	124.5	81	70	21.1	51.4	6.5
55	77.0	253.9	69.9	190.0	216.0	M16	31	30	130.3	87.1	70	23.4	54.2	6.5
60	86.9	274.9	80.2	205.0	235.0	M16	33	30	152.4	96.5	80	27.1	59.7	7
65	88.9	280.1	80.1	215.0	236.0	M16	28.5	30	156	106.7	80	26.9	61.7	7
70	88.9	315.9	90.2	244.5	268.3	M20	34.1	32	176	106.7	95	26.9	61.7	7
75														
80	106.0	345.3	100.3	270.0	293.7	M20	34	35	196.7	124.7	100	34.5	71.4	7
85	106.0	345.0	100.2	264.2	296.1	M20	37.9	35	205.2	124.7	112	34.5	71.4	7
90	120.0	379.8	110.2	292.8	327.0	M24	43.1	40	218.3	138.7	112	37.2	82.3	8
100	120.0	410.0	120.0	314.4	356.0	M24	46.8	45	239	138.7	125	37.2	82.3	8
110	133.0	410.0	120.0	314.5	356.0	M24	46.8	45	260.7	161.3	140	44.4	88.4	10
115	152.0	444.8	130.0	359.6	387.0	M24	41.7	50	292.8	191.8	150	48.6	103.2	10
125	152.0	500.0	150.2	400.0	427.0	M30	48.5	50	290.4	191.8	150	48.6	103.2	10

IMPERIAL FEATURES PAGE B10-3	IMPERIAL SPECIFICATION PAGE B10-6	IMPERIAL NOMENCLATURE PAGE B10-9	IMPERIAL SELECTION PAGE B10-12
---------------------------------	--------------------------------------	-------------------------------------	-----------------------------------

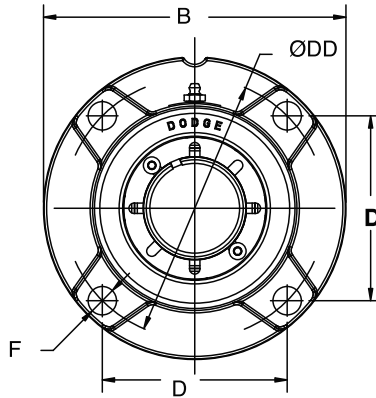
# DIMENSION



## IMPERIAL - IP Flange - Round 1-1/8 THRU 2 INCH

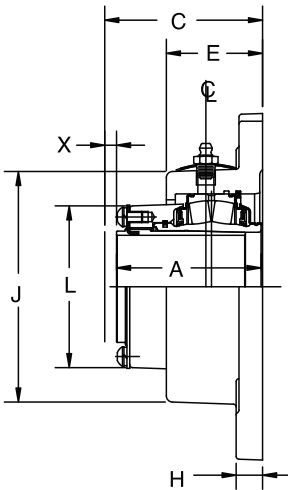


1-1/8 THRU 1-1/2"  
CONSTRUCTION

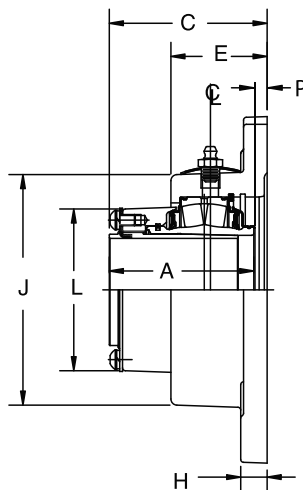


1-5/8 THRU 2"  
CONSTRUCTION

NOTE: all sizes use a 1/8-27 NPT hydraulic grease fitting



EXPANSION



NON-EXPANSION

NOTE: See page B10-38 for 2-3/16 thru 3 inch

IMPERIAL FEATURES PAGE B10-3	IMPERIAL SPECIFICATION PAGE B10-6	IMPERIAL NOMENCLATURE PAGE B10-9	IMPERIAL SELECTION PAGE B10-12
---------------------------------	--------------------------------------	-------------------------------------	-----------------------------------





## IMPERIAL - IP Flange - Round 1-1/8 THRU 2 INCH

Bearing	Shaft Size Inch	TRIDENT Seal				Labyrinth Seal			
		Non-Expansion		Expansion		Non-Expansion		Expansion	
		Part No.	Part Name	Part No.	Part Name	Part No.	Part Name	Part No.	Part Name
22208	1 - 1/8	<b>069592</b>	F3R-IP-102R	<b>069630</b>	F3R-IP-102RE	<b>069651</b>	F3R-IP-102L	<b>069672</b>	F3R-IP-102LE
	1 - 3/16	<b>069593</b>	F3R-IP-103R	<b>069631</b>	F3R-IP-103RE	<b>069652</b>	F3R-IP-103L	<b>069673</b>	F3R-IP-103LE
	1 - 1/4	<b>069594</b>	F3R-IP-104R	<b>069632</b>	F3R-IP-104RE	<b>069653</b>	F3R-IP-104L	<b>069674</b>	F3R-IP-104LE
	1 - 3/8	<b>069595</b>	F3R-IP-106R	<b>069633</b>	F3R-IP-106RE	<b>069654</b>	F3R-IP-106L	<b>069675</b>	F3R-IP-106LE
	1 - 7/16	<b>069596</b>	F3R-IP-107R	<b>069634</b>	F3R-IP-107RE	<b>069655</b>	F3R-IP-107L	<b>069676</b>	F3R-IP-107LE
	1 - 1/2	<b>069597</b>	F3R-IP-108R	<b>069635</b>	F3R-IP-108RE	<b>069656</b>	F3R-IP-108L	<b>069677</b>	F3R-IP-108LE
22209	1 - 5/8	<b>069598</b>	F4R-IP-110R	<b>069636</b>	F4R-IP-110RE	<b>069657</b>	F4R-IP-110L	<b>069678</b>	F4R-IP-110LE
	1 - 11/16	<b>069599</b>	F4R-IP-111R	<b>069637</b>	F4R-IP-111RE	<b>069658</b>	F4R-IP-111L	<b>069679</b>	F4R-IP-111LE
	1 - 3/4	<b>069600</b>	F4R-IP-112R	<b>069638</b>	F4R-IP-112RE	<b>069659</b>	F4R-IP-112L	<b>069680</b>	F4R-IP-112LE
22210	1 - 7/8	<b>069601</b>	F4R-IP-114R	<b>069639</b>	F4R-IP-114RE	<b>069660</b>	F4R-IP-114L	<b>069681</b>	F4R-IP-114LE
	1 - 15/16	<b>069602</b>	F4R-IP-115R	<b>069640</b>	F4R-IP-115RE	<b>069661</b>	F4R-IP-115L	<b>069682</b>	F4R-IP-115LE
	2	<b>069603</b>	F4R-IP-200R	<b>069641</b>	F4R-IP-200RE	<b>069662</b>	F4R-IP-200L	<b>069683</b>	F4R-IP-200LE

Metric shaft sizes available upon request

SHAFT SIZE	A	B	C	D	DD	E	F BOLT DIA.	H	J	L	P	X TOTAL EXP
1 - 1/8												
1 - 3/16												
1 - 1/4	2 - 5/8	5 - 7/8	2 - 55/64	3 - 17/32	5	1 - 51/64	* 1/2	1/2	3 - 3/4	2 - 23/32	15/64	3/16
1 - 3/8												
1 - 7/16												
1 - 1/2												
1 - 5/8												
1 - 11/16	2 - 13/16	6 - 3/8	3 - 7/64	3 - 57/64	5 - 1/2	1 - 57/64	*1/2	1/2	4 - 1/4	3	19/64	1/4
1 - 3/4												
1 - 7/8												
1 - 15/16	2 - 55/64	6 - 11/16	3 - 5/32	4 - 1/16	5 - 3/4	1 - 59/64	** 1/2	9/16	4 - 1/2	3 - 9/32	19/64	1/4
2												

\* 3 Equally spaced bolt holes

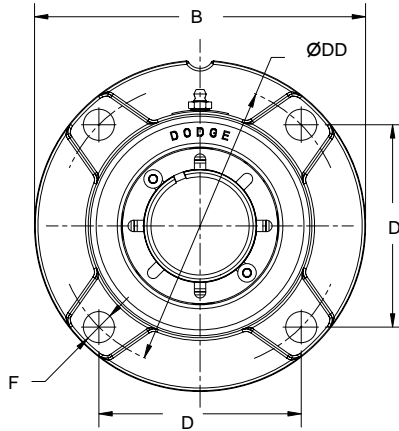
\*\* 4 Equally spaced bolt holes

IMPERIAL FEATURES PAGE B10-3	IMPERIAL SPECIFICATION PAGE B10-6	IMPERIAL NOMENCLATURE PAGE B10-9	IMPERIAL SELECTION PAGE B10-12
---------------------------------	--------------------------------------	-------------------------------------	-----------------------------------

# DIMENSION

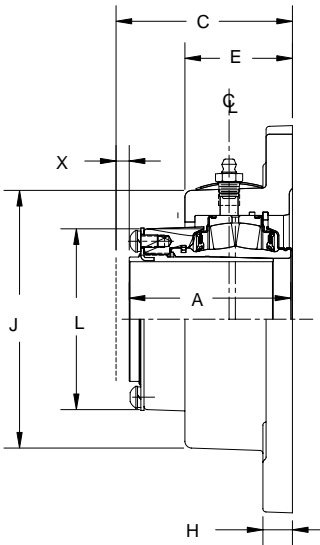


## IMPERIAL - IP Flange - Round 2-3/16 THRU 3 INCH

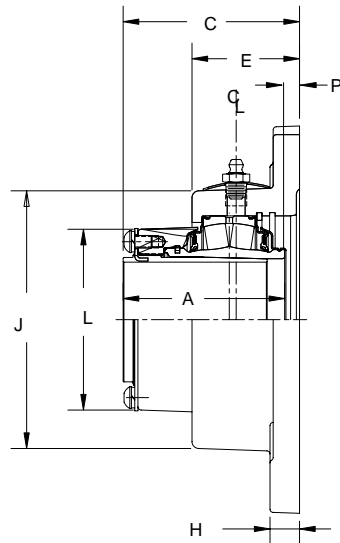


NOTE: All sizes use a 1/8-27 NPT hydraulic grease fitting

2-3/16 THRU 3" CONSTRUCTION



EXPANSION



NON-EXPANSION

NOTE: See page B10-36 for 1-1/8 thru 2 inch

IMPERIAL FEATURES PAGE B10-3	IMPERIAL SPECIFICATION PAGE B10-6	IMPERIAL NOMENCLATURE PAGE B10-9	IMPERIAL SELECTION PAGE B10-12
---------------------------------	--------------------------------------	-------------------------------------	-----------------------------------

# DIMENSION



## IMPERIAL - IP Flange - Round 2-3/16 THRU 3 INCH

Bearing	Shaft Size Inch	TRIDENT Seal				Labyrinth Seal			
		Non-Expansion		Expansion		Non-Expansion		Expansion	
		Part No.	Part Name	Part No.	Part Name	Part No.	Part Name	Part No.	Part Name
22211	2 - 3/16	<b>069604</b>	F4R-IP-203R	<b>069642</b>	F4R-IP-203RE	<b>069663</b>	F4R-IP-203L	<b>069684</b>	F4R-IP-203LE
	2 - 1/4	<b>069605</b>	F4R-IP-204R	<b>069643</b>	F4R-IP-204RE	<b>069664</b>	F4R-IP-204L	<b>069685</b>	F4R-IP-204LE
22213	2 - 3/8	<b>069606</b>	F4R-IP-206R	<b>069644</b>	F4R-IP-206RE	<b>069665</b>	F4R-IP-206L	<b>069686</b>	F4R-IP-206LE
	2 - 7/16	<b>069607</b>	F4R-IP-207R	<b>069645</b>	F4R-IP-207RE	<b>069666</b>	F4R-IP-207L	<b>069687</b>	F4R-IP-207LE
	2 - 1/2	<b>069608</b>	F4R-IP-208R	<b>069646</b>	F4R-IP-208RE	<b>069667</b>	F4R-IP-208L	<b>069688</b>	F4R-IP-208LE
22215	2 - 11/16	<b>069609</b>	F4R-IP-211R	<b>069647</b>	F4R-IP-211RE	<b>069668</b>	F4R-IP-211L	<b>069689</b>	F4R-IP-211LE
	2 - 3/4	<b>069610</b>	F4R-IP-212R	<b>069648</b>	F4R-IP-212RE	<b>069669</b>	F4R-IP-212L	<b>069690</b>	F4R-IP-212LE
	2 - 15/16	<b>069611</b>	F4R-IP-215R	<b>069649</b>	F4R-IP-215RE	<b>069670</b>	F4R-IP-215L	<b>069691</b>	F4R-IP-215LE
	3	<b>069612</b>	F4R-IP-300R	<b>069650</b>	F4R-IP-300RE	<b>069671</b>	F4R-IP-300L	<b>069692</b>	F4R-IP-300LE

Metric shaft sizes available upon request

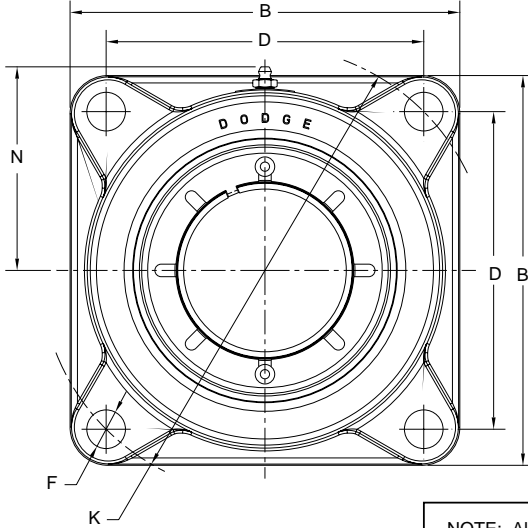
SHAFT SIZE	A	B	C	D	DD	E	F BOLT DIA.	H	J	L	P	X TOTAL EXP
2 - 3/16 2 - 1/4	3 - 1/32	7 - 3/8	3 - 11/32	4 - 1/2	6 - 3/8	2 - 3/64	5/8	9/16	4 - 7/8	3 - 1/2	5/16	1/4
2 - 3/8 2 - 7/16 2 - 1/2	3 - 27/64	7 - 3/4	3 - 47/64	4 - 49/64	6 - 3/4	2 - 3/8	5/8	41/64	5 - 3/8	3 - 7/8	5/16	1/4
2 - 11/16 2 - 3/4 2 - 15/16 3	3 - 1/2	9 - 1/4	3 - 13/16	5 - 9/16	7 - 7/8	2 - 25/64	3/4	3/4	6 - 1/4	4 - 9/32	5/16	1/4

IMPERIAL FEATURES PAGE B10-3	IMPERIAL SPECIFICATION PAGE B10-6	IMPERIAL NOMENCLATURE PAGE B10-9	IMPERIAL SELECTION PAGE B10-12
---------------------------------	--------------------------------------	-------------------------------------	-----------------------------------

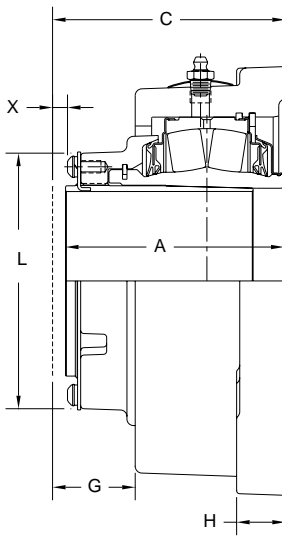
# DIMENSION



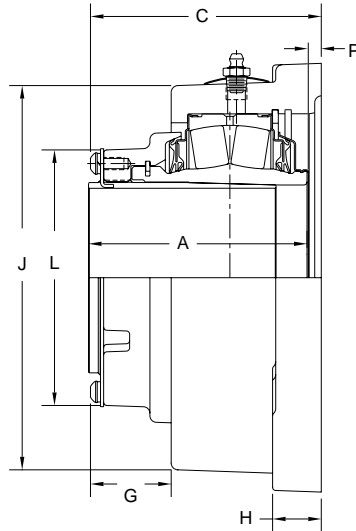
## IMPERIAL - IP Flange - Square 1-1/8 THRU 2-1/4 INCH



NOTE: All sizes use a 1/8-27 NPT hydraulic grease fitting



EXPANSION



NON-EXPANSION

NOTE: See page B10-42 for 2-3/8 thru 4 inch

IMPERIAL FEATURES PAGE B10-3	IMPERIAL SPECIFICATION PAGE B10-6	IMPERIAL NOMENCLATURE PAGE B10-9	IMPERIAL SELECTION PAGE B10-12
---------------------------------	--------------------------------------	-------------------------------------	-----------------------------------



## IMPERIAL - IP Flange - Square 1-1/8 THRU 2-1/4 INCH

Bearing	Shaft Size Inch	TRIDENT Seal				Labyrinth Seal			
		Non-Expansion		Expansion		Non-Expansion		Expansion	
		Part No.	Part Name	Part No.	Part Name	Part No.	Part Name	Part No.	Part Name
22208	1 - 1/8	<b>069693</b>	F4S-IP-102R	<b>069721</b>	F4S-IP-102RE	<b>069749</b>	F4S-IP-102L	<b>069777</b>	F4S-IP-102LE
	1 - 3/16	<b>069694</b>	F4S-IP-103R	<b>069722</b>	F4S-IP-103RE	<b>069750</b>	F4S-IP-103L	<b>069778</b>	F4S-IP-103LE
	1 - 1/4	<b>069695</b>	F4S-IP-104R	<b>069723</b>	F4S-IP-104RE	<b>069751</b>	F4S-IP-104L	<b>069779</b>	F4S-IP-104LE
	1 - 3/8	<b>069696</b>	F4S-IP-106R	<b>069724</b>	F4S-IP-106RE	<b>069752</b>	F4S-IP-106L	<b>069780</b>	F4S-IP-106LE
	1 - 7/16	<b>069697</b>	F4S-IP-107R	<b>069725</b>	F4S-IP-107RE	<b>069753</b>	F4S-IP-107L	<b>069781</b>	F4S-IP-107LE
	1 - 1/2	<b>069698</b>	F4S-IP-108R	<b>069726</b>	F4S-IP-108RE	<b>069754</b>	F4S-IP-108L	<b>069782</b>	F4S-IP-108LE
22209	1 - 5/8	<b>069699</b>	F4S-IP-110R	<b>069727</b>	F4S-IP-110RE	<b>069755</b>	F4S-IP-110L	<b>069783</b>	F4S-IP-110LE
	1 - 11/16	<b>069700</b>	F4S-IP-111R	<b>069728</b>	F4S-IP-111RE	<b>069756</b>	F4S-IP-111L	<b>069784</b>	F4S-IP-111LE
	1 - 3/4	<b>069701</b>	F4S-IP-112R	<b>069729</b>	F4S-IP-112RE	<b>069757</b>	F4S-IP-112L	<b>069785</b>	F4S-IP-112LE
22210	1 - 7/8	<b>069702</b>	F4S-IP-114R	<b>069730</b>	F4S-IP-114RE	<b>069758</b>	F4S-IP-114L	<b>069786</b>	F4S-IP-114LE
	1 - 15/16	<b>069703</b>	F4S-IP-115R	<b>069731</b>	F4S-IP-115RE	<b>069759</b>	F4S-IP-115L	<b>069787</b>	F4S-IP-115LE
	2	<b>069704</b>	F4S-IP-200R	<b>069732</b>	F4S-IP-200RE	<b>069760</b>	F4S-IP-200L	<b>069788</b>	F4S-IP-200LE
22211	2 - 3/16	<b>069705</b>	F4S-IP-203R	<b>069733</b>	F4S-IP-203RE	<b>069761</b>	F4S-IP-203L	<b>069789</b>	F4S-IP-203LE
	2 - 1/4	<b>069706</b>	F4S-IP-204R	<b>069734</b>	F4S-IP-204RE	<b>069762</b>	F4S-IP-204L	<b>069790</b>	F4S-IP-204LE

Metric shaft sizes available upon request

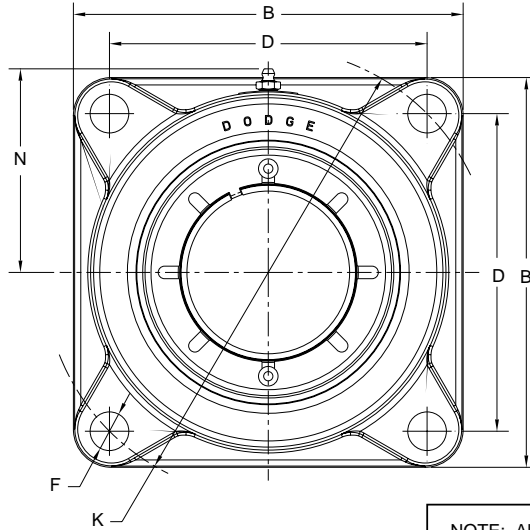
SHAFT SIZE	A	B	C	D	F BOLT DIA.	G	H	J	K	L	N	P	X TOTAL EXP.
1 - 1/8													
1 - 3/16													
1 - 1/4	2 - 5/8	4 - 3/4	2 - 55/64	3 - 17/32	1/2	1 - 5/64	1/2	3 - 13/16	5	2 - 23/32	2 - 31/64	15/64	3/16
1 - 3/8													
1 - 7/16													
1 - 1/2													
1 - 5/8													
1 - 11/16													
1 - 3/4	2 - 13/16	5 - 1/8	3 - 7/64	3 - 57/64	1/2	1 - 13/64	1/2	4 - 13/32	5 - 1/2	3	2 - 25/32	19/64	1/4
1 - 7/8													
1 - 15/16													
2	2 - 55/64	5 - 19/64	3 - 5/32	4 - 1/16	1/2	1 - 15/64	9/16	4 - 31/32	5 - 3/4	3 - 9/32	2 - 29/32	19/64	1/4
2 - 3/16													
2 - 1/4	3 - 1/32	5 - 7/8	3 - 11/32	4 - 33/64	5/8	1 - 5/16	9/16	5 - 1/64	6 - 3/8	3 - 1/2	3 - 3/32	5/16	1/4

IMPERIAL FEATURES PAGE B10-3	IMPERIAL SPECIFICATION PAGE B10-6	IMPERIAL NOMENCLATURE PAGE B10-9	IMPERIAL SELECTION PAGE B10-12
---------------------------------	--------------------------------------	-------------------------------------	-----------------------------------

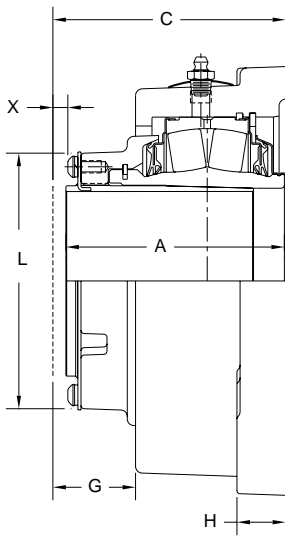
# DIMENSION



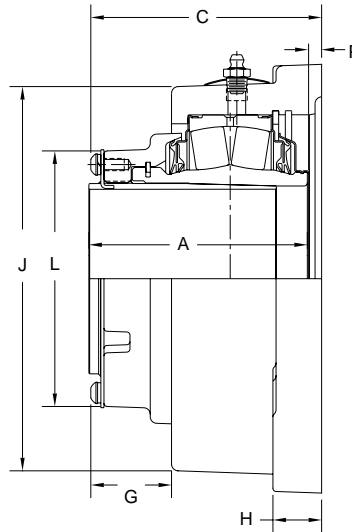
## IMPERIAL - IP Flange - Square 2-3/8 THRU 4 INCH



NOTE: All sizes use a 1/8-27 NPT hydraulic grease fitting



EXPANSION



NON-EXPANSION

NOTE: See page B10-40 for 1-1/8 thru 2-1/4 inch

<p>IMPERIAL FEATURES PAGE B10-3</p>	<p>IMPERIAL SPECIFICATION PAGE B10-6</p>	<p>IMPERIAL NOMENCLATURE PAGE B10-9</p>	<p>IMPERIAL SELECTION PAGE B10-12</p>
---	--	---	---



## IMPERIAL - IP Flange - Square 2-3/8 THRU 4 INCH

Bearing	Shaft Size Inch	TRIDENT Seal				Labyrinth Seal			
		Non-Expansion		Expansion		Non-Expansion		Expansion	
		Part No.	Part Name	Part No.	Part Name	Part No.	Part Name	Part No.	Part Name
22213	2 - 3/8	<b>069707</b>	F4S-IP-206R	<b>069735</b>	F4S-IP-206RE	<b>069763</b>	F4S-IP-206L	<b>069791</b>	F4S-IP-206LE
	2 - 7/16	<b>069708</b>	F4S-IP-207R	<b>069736</b>	F4S-IP-207RE	<b>069764</b>	F4S-IP-207L	<b>069792</b>	F4S-IP-207LE
	2 - 1/2	<b>069709</b>	F4S-IP-208R	<b>069737</b>	F4S-IP-208RE	<b>069765</b>	F4S-IP-208L	<b>069793</b>	F4S-IP-208LE
22215	2 - 11/16	<b>069710</b>	F4S-IP-211R	<b>069738</b>	F4S-IP-211RE	<b>069766</b>	F4S-IP-211L	<b>069794</b>	F4S-IP-211LE
	2 - 3/4	<b>069711</b>	F4S-IP-212R	<b>069739</b>	F4S-IP-212RE	<b>069767</b>	F4S-IP-212L	<b>069795</b>	F4S-IP-212LE
	2 - 15/16	<b>069712</b>	F4S-IP-215R	<b>069740</b>	F4S-IP-215RE	<b>069768</b>	F4S-IP-215L	<b>069796</b>	F4S-IP-215LE
	3	<b>069713</b>	F4S-IP-300R	<b>069741</b>	F4S-IP-300RE	<b>069769</b>	F4S-IP-300L	<b>069797</b>	F4S-IP-300LE
22218	3 - 3/16	<b>069714</b>	F4S-IP-303R	<b>069742</b>	F4S-IP-303RE	<b>069770</b>	F4S-IP-303L	<b>069798</b>	F4S-IP-303LE
	3 - 1/4	<b>069715</b>	F4S-IP-304R	<b>069743</b>	F4S-IP-304RE	<b>069771</b>	F4S-IP-304L	<b>069799</b>	F4S-IP-304LE
	3 - 7/16	<b>069716</b>	F4S-IP-307R	<b>069744</b>	F4S-IP-307RE	<b>069772</b>	F4S-IP-307L	<b>069800</b>	F4S-IP-307LE
	3 - 1/2	<b>069717</b>	F4S-IP-308R	<b>069745</b>	F4S-IP-308RE	<b>069773</b>	F4S-IP-308L	<b>069801</b>	F4S-IP-308LE
22220	3 - 11/16	<b>069718</b>	F4S-IP-311R	<b>069746</b>	F4S-IP-311RE	<b>069774</b>	F4S-IP-311L	<b>069802</b>	F4S-IP-311LE
	3 - 15/16	<b>069719</b>	F4S-IP-315R	<b>069747</b>	F4S-IP-315RE	<b>069775</b>	F4S-IP-315L	<b>069803</b>	F4S-IP-315LE
	4	<b>069720</b>	F4S-IP-400R	<b>069748</b>	F4S-IP-400RE	<b>069776</b>	F4S-IP-400L	<b>069804</b>	F4S-IP-400LE

Metric shaft sizes available upon request

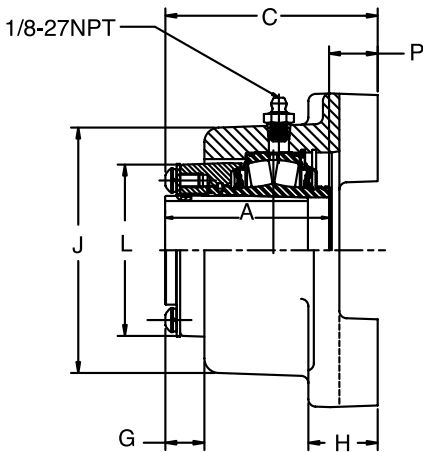
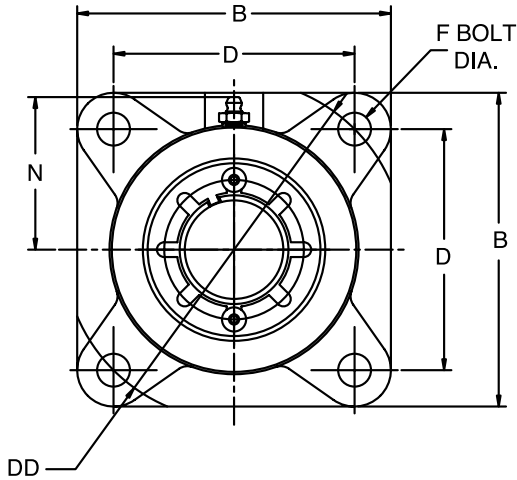
SHAFT SIZE	A	B	C	D	F BOLT DIA.	G	H	J	K	L	N	P	X TOTAL EXP.
2 - 3/8													
2 - 7/16	3 - 27/64	6 - 1/8	3 - 47/64	4 - 25/32	5/8	1 - 23/64	41/64	5 - 5/8	6 - 3/4	3 - 7/8	3 - 13/32	5/16	1/4
2 - 1/2													
2 - 11/16													
2 - 3/4	3 - 1/2	7 - 3/16	3 - 13/16	5 - 9/16	3/4	1 - 27/64	3/4	6 - 1/2	7 - 7/8	4 - 9/32	3 - 27/32	5/16	1/4
2 - 15/16													
3													
3 - 3/16													
3 - 1/4	4 - 11/64	8 - 1/4	4 - 31/64	6 - 23/32	3/4	1 - 19/32	15/16	7 - 31/64	9 - 1/2	5	4 - 21/64	5/16	1/4
3 - 7/16													
3 - 1/2													
3 - 11/16													
3 - 15/16	4 - 45/64	9 - 1/4	5 - 5/64	7 - 39/64	7/8	1 - 25/32	1 - 1/16	8 - 7/32	10 - 3/4	5 - 9/16	4 - 45/64	3/8	5/16
4													

IMPERIAL FEATURES PAGE B10-3	IMPERIAL SPECIFICATION PAGE B10-6	IMPERIAL NOMENCLATURE PAGE B10-9	IMPERIAL SELECTION PAGE B10-12
---------------------------------	--------------------------------------	-------------------------------------	-----------------------------------

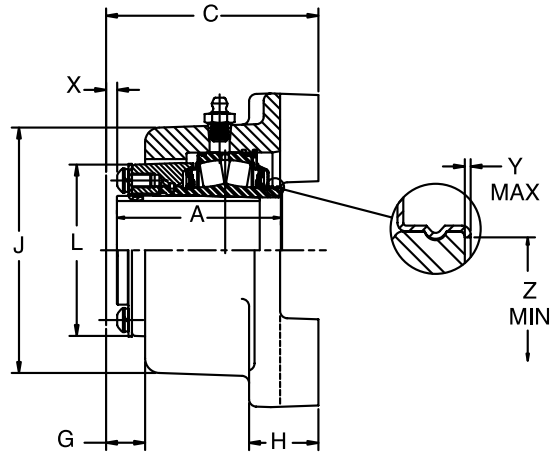
# DIMENSION



## IMPERIAL - IP Flange - Square with Type E Dimensions 1-3/8 THRU 2-3/16 INCH



NON-EXPANSION



EXPANSION

**NOTE:** See page B10-46 for 2-1/4 thru 4-1/2 inch

IMPERIAL FEATURES PAGE B10-3	IMPERIAL SPECIFICATION PAGE B10-6	IMPERIAL NOMENCLATURE PAGE B10-9	IMPERIAL SELECTION PAGE B10-12
---------------------------------	--------------------------------------	-------------------------------------	-----------------------------------





## IMPERIAL - IP Flange - Square with Type E Dimensions 1-3/8 THRU 2-3/16 INCH

Bearing Series	Shaft Size*	TRIDENT SEAL				Labyrinth Seal			
		Non Expansion		Expansion		Non Expansion		Expansion	
		Part No.	Part Name	Part No.	Part Name	Part No.	Part Name	Part No.	Part Name
22208	1-3/8	<b>071288</b>	EF4B-IP-106R	<b>071313</b>	EF4B-IP-106RE	<b>071338</b>	EF4B-IP-106L	<b>071364</b>	EF4B-IP-106LE
	1-7/16	<b>071289</b>	EF4B-IP-107R	<b>071314</b>	EF4B-IP-107RE	<b>071339</b>	EF4B-IP-107L	<b>071365</b>	EF4B-IP-107LE
22209	1-1/2	<b>071290</b>	EF4B-IP-108R	<b>071315</b>	EF4B-IP-108RE	<b>071340</b>	EF4B-IP-108L	<b>071366</b>	EF4B-IP-108LE
	1-5/8	<b>071291</b>	EF4B-IP-110R	<b>071316</b>	EF4B-IP-110RE	<b>071341</b>	EF4B-IP-110L	<b>071367</b>	EF4B-IP-110LE
	1-11/16	<b>071292</b>	EF4B-IP-111R	<b>071317</b>	EF4B-IP-111RE	<b>071342</b>	EF4B-IP-111L	<b>071368</b>	EF4B-IP-111LE
22210	1-3/4	<b>071293</b>	EF4B-IP-112R	<b>071318</b>	EF4B-IP-112RE	<b>071343</b>	EF4B-IP-112L	<b>071369</b>	EF4B-IP-112LE
	1-7/8	<b>071294</b>	EF4B-IP-114R	<b>071319</b>	EF4B-IP-114RE	<b>071344</b>	EF4B-IP-114L	<b>071370</b>	EF4B-IP-114LE
	1-15/16	<b>071295</b>	EF4B-IP-115R	<b>071320</b>	EF4B-IP-115RE	<b>071345</b>	EF4B-IP-115L	<b>071371</b>	EF4B-IP-115LE
	2	<b>071296</b>	EF4B-IP-200R	<b>071321</b>	EF4B-IP-200RE	<b>071346</b>	EF4B-IP-200L	<b>071372</b>	EF4B-IP-200LE
22211	2-3/16	<b>071297</b>	EF4B-IP-203R	<b>071322</b>	EF4B-IP-203RE	<b>071347</b>	EF4B-IP-203L	<b>071373</b>	EF4B-IP-203LE

\*CONSULT DODGE FOR SIZES NOT LISTED

SHAFT SIZE	A	B#	C#	D	DD	BOLT DIA.	G	H#	J#	L	N	P	X TOTAL EXP.	Y	Z
1-3/8 1-7/16	2.63	4.63	3.15	3.50	4.950	1/2	0.66	1.06	3.88	2.72	2.34	0.53	0.16	0.020	1.80
1-1/2 1-5/8 1-11/16	2.81	5.38	3.64	4.13	5.834	1/2	0.67	1.19	4.18	3.00	2.50	0.83	0.19	0.020	2.08
1-3/4 1-7/8 1-15/16 2	2.86	5.63	3.64	4.38	6.188	1/2	0.65	1.18	4.36	3.28	2.60	0.79	0.22	0.020	2.30
2-3/16	3.03	6.25	3.96	4.88	6.894	5/8	0.68	1.38	4.88	3.50	2.88	0.94	0.25	0.020	2.60

**NOTE(S):** "P" DIMENSION IS FOR NON-EXPANSION ONLY

"A" AND "P" DIMENSIONS DO NOT INCLUDE "Y" DIMENSION

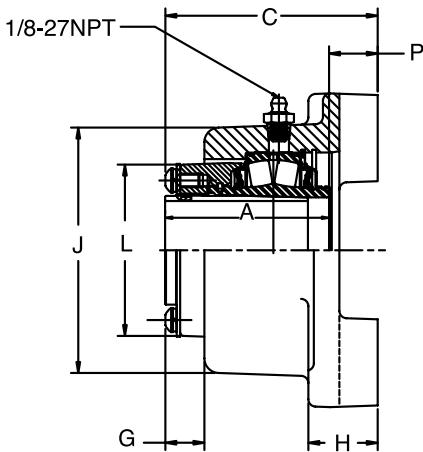
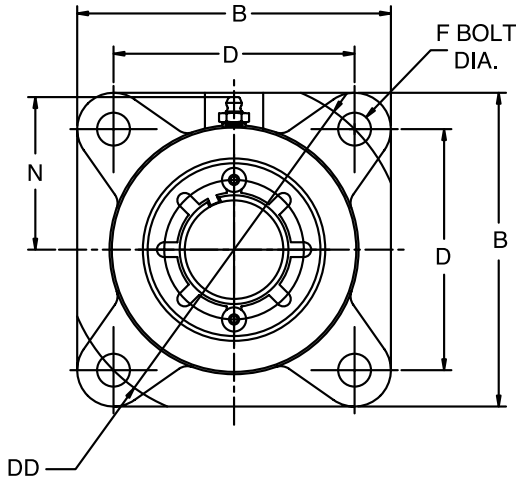
# REFERENCE DIMENSION ONLY

IMPERIAL FEATURES PAGE B10-3	IMPERIAL SPECIFICATION PAGE B10-6	IMPERIAL NOMENCLATURE PAGE B10-9	IMPERIAL SELECTION PAGE B10-12
---------------------------------	--------------------------------------	-------------------------------------	-----------------------------------

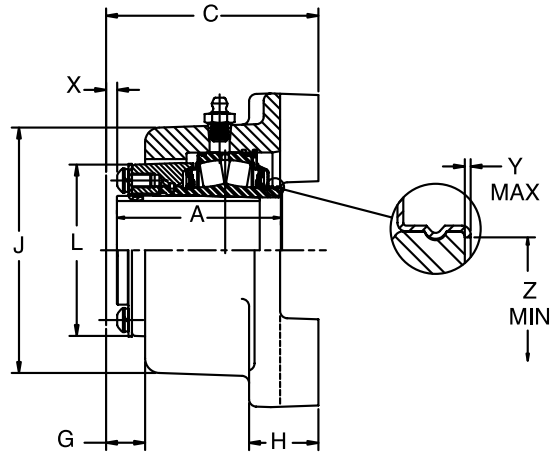
# DIMENSION



## IMPERIAL - IP Flange - Square with Type E Dimensions 2-1/4 THRU 4-1/2 INCH



NON-EXPANSION



EXPANSION

**NOTE:** See page B10-44 for 1-3/8 thru 2-3/16 inch

IMPERIAL FEATURES PAGE B10-3	IMPERIAL SPECIFICATION PAGE B10-6	IMPERIAL NOMENCLATURE PAGE B10-9	IMPERIAL SELECTION PAGE B10-12
---------------------------------	--------------------------------------	-------------------------------------	-----------------------------------



## IMPERIAL - IP Flange - Square with Type E Dimensions 2-1/4 THRU 4-1/2 INCH

Bearing Series	Shaft Size*	TRIDENT SEAL				Labyrinth Seal			
		Non Expansion		Expansion		Non Expansion		Expansion	
		Part No.	Part Name	Part No.	Part Name	Part No.	Part Name	Part No.	Part Name
22213	2-1/4	<b>071298</b>	EF4B-IP-204R	<b>071323</b>	EF4B-IP-204RE	<b>071348</b>	EF4B-IP-204L	<b>071374</b>	EF4B-IP-204LE
	2-7/16	<b>071299</b>	EF4B-IP-207R	<b>071324</b>	EF4B-IP-207RE	<b>071349</b>	EF4B-IP-207L	<b>071375</b>	EF4B-IP-207LE
	2-1/2	<b>071300</b>	EF4B-IP-208R	<b>071325</b>	EF4B-IP-208RE	<b>071350</b>	EF4B-IP-208L	<b>071376</b>	EF4B-IP-208LE
22215	2-11/16	<b>071301</b>	EF4B-IP-211R	<b>071326</b>	EF4B-IP-211RE	<b>071351</b>	EF4B-IP-211L	<b>071377</b>	EF4B-IP-211LE
	2-3/4	<b>071302</b>	EF4B-IP-212R	<b>071327</b>	EF4B-IP-212RE	<b>071352</b>	EF4B-IP-212L	<b>071378</b>	EF4B-IP-212LE
	2-15/16	<b>071303</b>	EF4B-IP-215R	<b>071328</b>	EF4B-IP-215RE	<b>071353</b>	EF4B-IP-215L	<b>071379</b>	EF4B-IP-215LE
	3	<b>071304</b>	EF4B-IP-300R	<b>071329</b>	EF4B-IP-300RE	<b>071354</b>	EF4B-IP-300L	<b>071380</b>	EF4B-IP-300LE
22218	3-3/16	<b>071305</b>	EF4B-IP-303R	<b>071330</b>	EF4B-IP-303RE	<b>071355</b>	EF4B-IP-303L	<b>071381</b>	EF4B-IP-303LE
	3-1/4	<b>071306</b>	EF4B-IP-304R	<b>071331</b>	EF4B-IP-304RE	<b>071356</b>	EF4B-IP-304L	<b>071382</b>	EF4B-IP-304LE
	3-7/16	<b>071307</b>	EF4B-IP-307R	<b>071332</b>	EF4B-IP-307RE	<b>071357</b>	EF4B-IP-307L	<b>071383</b>	EF4B-IP-307LE
	3-1/2	<b>071308</b>	EF4B-IP-308R	<b>071333</b>	EF4B-IP-308RE	<b>071358</b>	EF4B-IP-308L	<b>071384</b>	EF4B-IP-308LE
22220	3-15/16	<b>071309</b>	EF4B-IP-315R	<b>071334</b>	EF4B-IP-315RE	<b>071359</b>	EF4B-IP-315L	<b>071385</b>	EF4B-IP-315LE
	4	<b>071310</b>	EF4B-IP-400R	<b>071335</b>	EF4B-IP-400RE	<b>071360</b>	EF4B-IP-400L	<b>071386</b>	EF4B-IP-400LE
22222	4-7/16	<b>071311</b>	EF4B-IP-407R	<b>071336</b>	EF4B-IP-407RE	<b>071361</b>	EF4B-IP-407L	<b>071387</b>	EF4B-IP-407LE
	4-1/2	<b>071312</b>	EF4B-IP-408R	<b>071337</b>	EF4B-IP-408RE	<b>071362</b>	EF4B-IP-408L	<b>071388</b>	EF4B-IP-408LE

\*CONSULT DODGE FOR SIZES NOT LISTED

SHAFT SIZE*	A	B#	C#	D	DD	F BOLT DIA	G	H#	J#	L	N	P	X TOTAL EXP.	Y	Z
2-1/4															
2-7/16	3.42	6.88	4.41	5.37	7.601	5/8	1.04	1.50	5.81	3.88	3.32	0.99	0.25	0.025	2.95
2-1/2															
2-11/16															
2-3/4	3.50	7.75	4.59	6.00	8.485	3/4	0.79	1.61	6.30	4.28	3.58	1.1	0.25	0.025	3.47
2-15/16															
3															
3-3/16															
3-1/4	4.17	9.25	5.4	7.00	9.899	3/4	1.12	1.88	7.44	5	4.15	1.24	0.25	0.025	4.05
3-7/16															
3-1/2															
3-15/16															
4	4.70	10.25	6.73	7.75	10.960	7/8	1.22	2.12	8.27	5.56	4.58	2.02	0.31	0.025	4.5
4-7/16															
4-1/2	5.23	10.88	7.12	8.75	12.374	7/8	1.42	2.43	9.13	6.44	5.01	1.89	0.38	0.036	5

NOTE(S): "P" DIMENSION IS FOR NON-EXPANSION ONLY

"A" AND "P" DIMENSIONS DO NOT INCLUDE "Y" DIMENSION

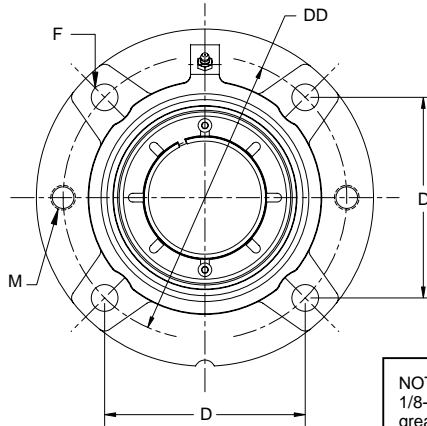
# REFERENCE DIMENSION ONLY

IMPERIAL FEATURES PAGE B10-3	IMPERIAL SPECIFICATION PAGE B10-6	IMPERIAL NOMENCLATURE PAGE B10-9	IMPERIAL SELECTION PAGE B10-12
---------------------------------	--------------------------------------	-------------------------------------	-----------------------------------

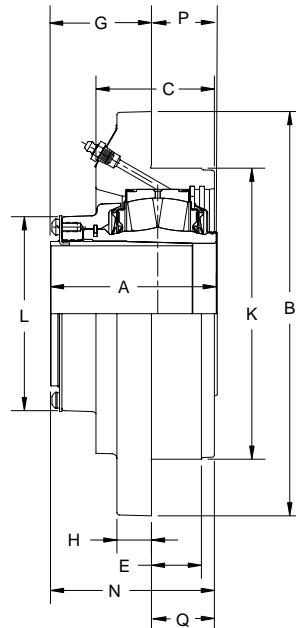
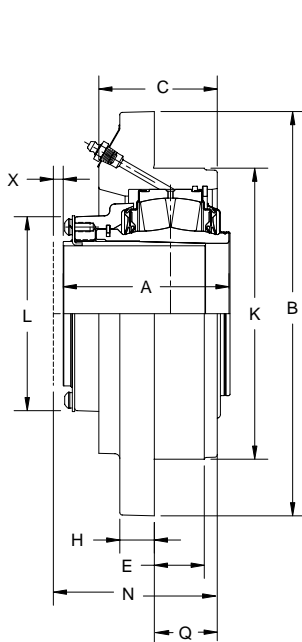
# DIMENSION



## IMPERIAL - IP Piloted Flange 1-1/8 THRU 2-1/2 INCH



NOTE: All sizes use a 1/8-27 NPT hydraulic grease fitting



NOTE: See page B10-50 for 2-11/16 thru 5 inch

IMPERIAL FEATURES PAGE B10-3	IMPERIAL SPECIFICATION PAGE B10-6	IMPERIAL NOMENCLATURE PAGE B10-9	IMPERIAL SELECTION PAGE B10-12
---------------------------------	--------------------------------------	-------------------------------------	-----------------------------------



## IMPERIAL - IP Piloted Flange 1-1/8 THRU 2-1/2 INCH

Bearing	Shaft Size Inch	TRIDENT Seal				Labyrinth Seal			
		Non-Expansion		Expansion		Non-Expansion		Expansion	
		Part No.	Part Name	Part No.	Part Name	Part No.	Part Name	Part No.	Part Name
22208	1 - 1/8	069805	FC-IP-102R	069837	FC-IP-102RE	069869	FC-IP-102L	069901	FC-IP-102LE
	1 - 3/16	069806	FC-IP-103R	069838	FC-IP-103RE	069870	FC-IP-103L	069902	FC-IP-103LE
	1 - 1/4	069807	FC-IP-104R	069839	FC-IP-104RE	069871	FC-IP-104L	069903	FC-IP-104LE
	1 - 3/8	069808	FC-IP-106R	069840	FC-IP-106RE	069872	FC-IP-106L	069904	FC-IP-106LE
	1 - 7/16	069809	FC-IP-107R	069841	FC-IP-107RE	069873	FC-IP-107L	069905	FC-IP-107LE
	1 - 1/2	069810	FC-IP-108R	069842	FC-IP-108RE	069874	FC-IP-108L	069906	FC-IP-108LE
22209	1 - 5/8	069811	FC-IP-110R	069843	FC-IP-110RE	069875	FC-IP-110L	069907	FC-IP-110LE
	1 - 11/16	069812	FC-IP-111R	069844	FC-IP-111RE	069876	FC-IP-111L	069908	FC-IP-111LE
	1 - 3/4	069813	FC-IP-112R	069845	FC-IP-112RE	069877	FC-IP-112L	069909	FC-IP-112LE
22210	1 - 7/8	069814	FC-IP-114R	069846	FC-IP-114RE	069878	FC-IP-114L	069910	FC-IP-114LE
	1 - 15/16	069815	FC-IP-115R	069847	FC-IP-115RE	069879	FC-IP-115L	069911	FC-IP-115LE
	2	069816	FC-IP-200R	069848	FC-IP-200RE	069880	FC-IP-200L	069912	FC-IP-200LE
22211	2 - 3/16	069817	FC-IP-203R	069849	FC-IP-203RE	069881	FC-IP-203L	069913	FC-IP-203LE
	2 - 1/4	069818	FC-IP-204R	069850	FC-IP-204RE	069882	FC-IP-204L	069914	FC-IP-204LE
22213	2 - 3/8	069819	FC-IP-206R	069851	FC-IP-206RE	069883	FC-IP-206L	069915	FC-IP-206LE
	2 - 7/16	069820	FC-IP-207R	069852	FC-IP-207RE	069884	FC-IP-207L	069916	FC-IP-207LE
	2 - 1/2	069821	FC-IP-208R	069853	FC-IP-208RE	069885	FC-IP-208L	069917	FC-IP-208LE

Metric shaft sizes available upon request

SHAFT SIZE	A	B	C	D	DD	E	F BOLT DIA.	G	H	K*	L	M	N	P	Q	X TOTAL EXP
1 - 1/8																
1 - 3/16																
1 - 1/4	2-5/8	5-1/4	1-27/32	3-3/32	4-3/8	3/4	3/8	1-25/64	1/2	3.625	2-23/32	3/8-16	2-39/64	1-15/64	1-7/32	3/16
1 - 3/8																
1 - 7/16																
1 - 1/2																
1 - 5/8																
1 - 11/16	2-13/16	6-1/8	1-29/32	3-5/8	5-1/8	7/8	7/16	1-39/64	1/2	4.250	3	7/16-14	2-55/64	1-13/64	1-17/64	1/4
1 - 3/4																
1 - 7/8																
1 - 15/16	2-55/64	6 3/8	2	3-51/64	5-3/8	7/8	7/16	1-19/32	9/16	4.500	3-9/32	7/16-14	2-55/64	1-17/64	1-17/64	1/4
2																
2 - 3/16																
2 - 1/4	3-1/32	7-1/8	2-3/16	4-1/4	6	1	1/2	1-21/32	9/16	5.000	3-1/2	1/2-13	3-5/64	1-3/8	1-27/64	1/4
2 - 3/8																
2 - 7/16	3-27/64	7 5/8	2-1/2	4-19/32	6-1/2	1	1/2	1-7/8	5/8	5.500	3-7/8	1/2-13	3-7/16	1-35/64	1-9/16	1/4
2 - 1/2																

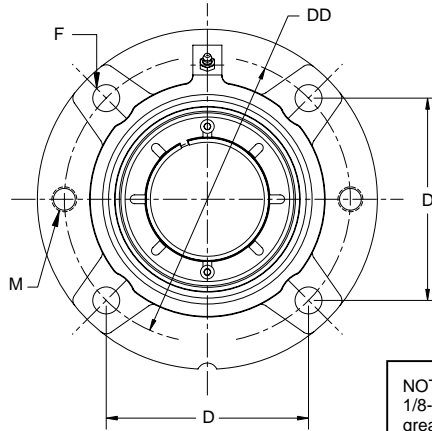
\* = +0.000, -0.002"

IMPERIAL FEATURES PAGE B10-3	IMPERIAL SPECIFICATION PAGE B10-6	IMPERIAL NOMENCLATURE PAGE B10-9	IMPERIAL SELECTION PAGE B10-12
---------------------------------	--------------------------------------	-------------------------------------	-----------------------------------

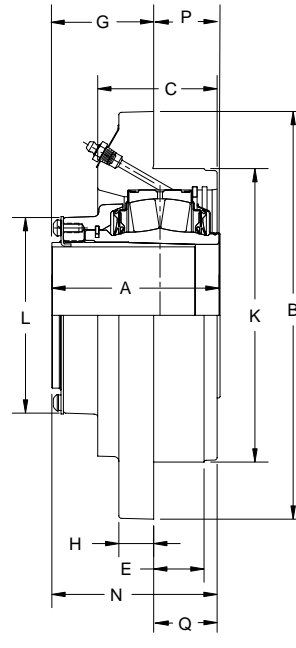
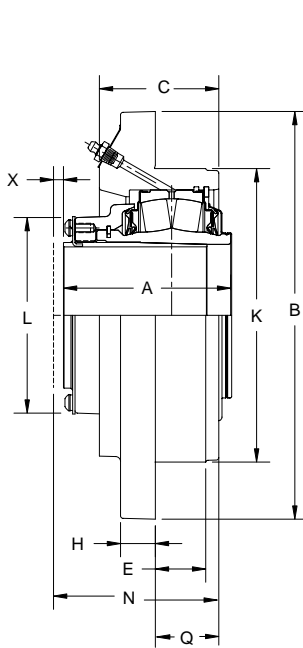
# DIMENSION



## IMPERIAL - IP Piloted Flange 2-11/16 THRU 5 INCH



NOTE: All sizes use a 1/8-27 NPT hydraulic grease fitting



NOTE: See page B10-48 for 1-1/8 thru 2-1/2 inch

IMPERIAL FEATURES PAGE B10-3	IMPERIAL SPECIFICATION PAGE B10-6	IMPERIAL NOMENCLATURE PAGE B10-9	IMPERIAL SELECTION PAGE B10-12
---------------------------------	--------------------------------------	-------------------------------------	-----------------------------------



## IMPERIAL - IP Piloted Flange 2-11/16 THRU 5 INCH

Bearing	Shaft Size Inch	TRIDENT Seal				Labyrinth Seal			
		Non-Expansion		Expansion		Non-Expansion		Expansion	
		Part No.	Part Name	Part No.	Part Name	Part No.	Part Name	Part No.	Part Name
22215	2-11/16	<b>069822</b>	FC-IP-211R	<b>069854</b>	FC-IP-211RE	<b>069886</b>	FC-IP-211L	<b>069918</b>	FC-IP-211LE
	2-3/4	<b>069823</b>	FC-IP-212R	<b>069855</b>	FC-IP-212RE	<b>069887</b>	FC-IP-212L	<b>069919</b>	FC-IP-212LE
	2-15/16	<b>069824</b>	FC-IP-215R	<b>069856</b>	FC-IP-215RE	<b>069888</b>	FC-IP-215L	<b>069920</b>	FC-IP-215LE
	3	<b>069825</b>	FC-IP-300R	<b>069857</b>	FC-IP-300RE	<b>069889</b>	FC-IP-300L	<b>069921</b>	FC-IP-300LE
22218	3-3/16	<b>069826</b>	FC-IP-303R	<b>069858</b>	FC-IP-303RE	<b>069890</b>	FC-IP-303L	<b>069922</b>	FC-IP-303LE
	3-1/4	<b>069827</b>	FC-IP-304R	<b>069859</b>	FC-IP-304RE	<b>069891</b>	FC-IP-304L	<b>069923</b>	FC-IP-304LE
	3-7/16	<b>069828</b>	FC-IP-307R	<b>069860</b>	FC-IP-307RE	<b>069892</b>	FC-IP-307L	<b>069924</b>	FC-IP-307LE
	3-1/2	<b>069829</b>	FC-IP-308R	<b>069861</b>	FC-IP-308RE	<b>069893</b>	FC-IP-308L	<b>069925</b>	FC-IP-308LE
22220	3-11/16	<b>069830</b>	FC-IP-311R	<b>069862</b>	FC-IP-311RE	<b>069894</b>	FC-IP-311L	<b>069926</b>	FC-IP-311LE
	3-15/16	<b>069831</b>	FC-IP-315R	<b>069863</b>	FC-IP-315RE	<b>069895</b>	FC-IP-315L	<b>069927</b>	FC-IP-315LE
	4	<b>069832</b>	FC-IP-400R	<b>069864</b>	FC-IP-400RE	<b>069896</b>	FC-IP-400L	<b>069928</b>	FC-IP-400LE
22222	4-7/16	<b>069833</b>	FC-IP-407R	<b>069865</b>	FC-IP-407RE	<b>069897</b>	FC-IP-407L	<b>069929</b>	FC-IP-407LE
	4-1/2	<b>069834</b>	FC-IP-408R	<b>069866</b>	FC-IP-408RE	<b>069898</b>	FC-IP-408L	<b>069930</b>	FC-IP-408LE
22226	4-15/16	<b>069835</b>	FC-IP-415R	<b>069867</b>	FC-IP-415RE	<b>069899</b>	FC-IP-415L	<b>069931</b>	FC-IP-415LE
	5	<b>069836</b>	FC-IP-500R	<b>069868</b>	FC-IP-500RE	<b>069900</b>	FC-IP-500L	<b>069932</b>	FC-IP-500LE

Metric shaft sizes available upon request

SHAFT SIZE	A	B	C	D	DD	E	F BOLT DIA.	G	H	K*	L	M	N	P	Q	X TOTAL EXP
2-11/16 2-3/4 2-15/16 3	3-1/2	8-3/4	2-5/8	5-19/64	7-1/2	1-1/4	5/8	1-15/16	3/4	6.375	4-9/32	5/8 - 11	3-9/16	1-9/16	1-5/8	1/4
3-3/16 3-1/4 3-7/16 3-1/2	4-11/64	10 1/4	3	6-3/32	8-5/8	1-17/64	3/4	2-17/32	15/16	7.375	5	3/4 - 10	4-1/16	1-41/64	1-33/64	1/4
3-11/16 3-15/16 4	4-45/64	10-7/8	3-1/2	6-5/8	9-3/8	1-15/32	3/4	2-57/64	1-1/8	8.125	5-9/16	3/4 - 10	4-25/32	1-13/16	1-29/32	5/16
4-7/16 4 1/2	5-15/64	13-1/2	4	5-7/8	11-3/4	1-29/64	3/4**	3-9/16	1	10.250	6-7/16	3/4 - 10	5-35/64	1-43/64	1-63/64	3/8
4-15/16 5	5-63/64	14-3/4	4-3/8	6-3/8	12-3/4	1-45/64	7/8**	3-55/64	1-1/4	11.000	7-5/8	3/4 - 10	6-9/32	2-1/8	2-27/64	3/8

\* +0.000", -0.002"

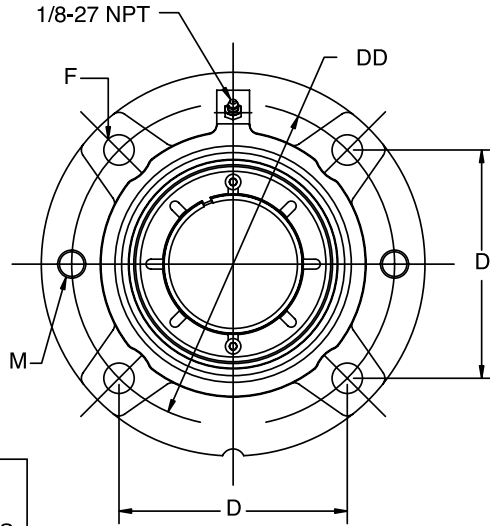
\*\* 6 equally spaced mounting holes

IMPERIAL FEATURES PAGE B10-3	IMPERIAL SPECIFICATION PAGE B10-6	IMPERIAL NOMENCLATURE PAGE B10-9	IMPERIAL SELECTION PAGE B10-12
---------------------------------	--------------------------------------	-------------------------------------	-----------------------------------

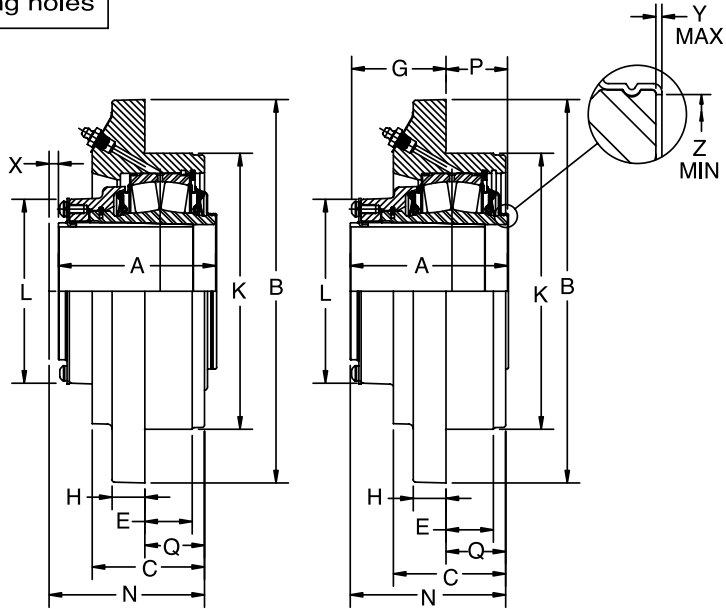
# DIMENSION



## IMPERIAL - IP Piloted Flange with Type E Dimensions



**Note:** 4-7/16 thru 4-15/16 sizes have 6 evenly spaced mounting holes



EXPANSION

NON-EXPANSION

<p>IMPERIAL FEATURES PAGE B10-3</p>	<p>IMPERIAL SPECIFICATION PAGE B10-6</p>	<p>IMPERIAL NOMENCLATURE PAGE B10-9</p>	<p>IMPERIAL SELECTION PAGE B10-12</p>
---	--	---	---





## IMPERIAL - IP Piloted Flange with Type E Dimensions

Bearing Series	Shaft Size*	TRIDENT SEAL				Labyrinth Seal			
		Non Expansion		Expansion		Non Expansion		Expansion	
		Part No.	Part Name	Part No.	Part Name	Part No.	Part Name	Part No.	Part Name
22208	1-3/8	<b>069808</b>	FC-IP-106R	<b>069840</b>	FC-IP-106RE	<b>069872</b>	FC-IP-106L	<b>069904</b>	FC-IP-106LE
	1-7/16	<b>069809</b>	FC-IP-107R	<b>069841</b>	FC-IP-107RE	<b>069873</b>	FC-IP-107L	<b>069905</b>	FC-IP-107LE
22209	1-1/2	<b>071576</b>	EFC-IP-108R	<b>071579</b>	EFC-IP-108RE	<b>071582</b>	EFC-IP-108L	<b>071585</b>	EFC-IP-108LE
	1-5/8	<b>069811</b>	FC-IP-110R	<b>069843</b>	FC-IP-110RE	<b>069875</b>	FC-IP-110L	<b>069907</b>	EC-IP-110LE
	1-11/16	<b>069812</b>	FC-IP-111R	<b>069844</b>	FC-IP-111RE	<b>069876</b>	FC-IP-111L	<b>069908</b>	EC-IP-111LE
22210	1-3/4	<b>071577</b>	EFC-IP-112R	<b>071580</b>	EFC-IP-112RE	<b>071583</b>	EFC-IP-112L	<b>071586</b>	EFC-IP-112LE
	1-7/8	<b>069814</b>	FC-IP-114R	<b>069846</b>	FC-IP-114RE	<b>069878</b>	FC-IP-114L	<b>069910</b>	FC-IP-114LE
	1-15/16	<b>069815</b>	FC-IP-115R	<b>069847</b>	FC-IP-115RE	<b>069879</b>	FC-IP-115L	<b>069911</b>	FC-IP-115LE
	2	<b>069816</b>	FC-IP-200R	<b>069848</b>	FC-IP-200RE	<b>069880</b>	FC-IP-200L	<b>069912</b>	FC-IP-200LE
22211	2-3/16	<b>069817</b>	FC-IP-203R	<b>069849</b>	FC-IP-203RE	<b>069881</b>	FC-IP-203L	<b>069913</b>	FC-IP-203LE
22213	2-1/4	<b>071578</b>	EFC-IP-204R	<b>071581</b>	EFC-IP-204RE	<b>071584</b>	EFC-IP-204L	<b>071587</b>	EFC-IP-204LE
	2-7/16	<b>069820</b>	FC-IP-207R	<b>069852</b>	FC-IP-207RE	<b>069884</b>	FC-IP-207L	<b>069916</b>	FC-IP-207LE
	2-1/2	<b>069821</b>	FC-IP-208R	<b>069853</b>	FC-IP-208RE	<b>069885</b>	FC-IP-208L	<b>069917</b>	FC-IP-208LE

\*CONSULT DODGE FOR SIZES NOT LISTED

SHAFT SIZE	A	B #	C #	D	DD	E #	F BOLT DIA.	G	H #	K ##	L	M	N	P	Q #	X TOTAL EXP.	Y	Z
1-3/8 1-7/16	2.63	5.25	1.84	3.09	4.375	0.75	3/8	1.39	0.50	3.625	2.72	3/8-16	2.61	1.23	1.22	0.19	0.020	1.80
1-1/2 1-5/8 1-11/16	2.81	6.13	1.91	3.63	5.125	0.88	7/16	1.61	0.50	4.250	3.00	7/16-14	2.86	1.20	1.26	0.25	0.020	2.08
1-3/4 1-7/8 1-15/16 2	2.86	6.38	2.00	3.80	5.375	0.88	7/16	1.59	0.56	4.500	3.28	7/16-14	2.86	1.26	1.26	0.25	0.020	2.30
2-3/16 2-1/4	3.03	7.13	2.19	4.25	6.000	1.00	1/2	1.66	0.56	5.000	3.50	1/2-13	3.08	1.38	1.42	0.25	0.025	2.59
2-7/16 2-1/2	3.42	7.63	2.50	4.59	6.500	1.00	1/2	1.88	0.63	5.500	3.88	1/2-13	3.44	1.55	1.56	0.25	0.025	2.94

## - +0.000

-0.002

# - REFERENCE DIMENSION ONLY

**NOTE(S):** "P" AND "G" DIMENSIONS ARE FOR NON-EXPANSION ONLY

"A" AND "P" DIMENSIONS DO NOT INCLUDE "Y" DIMENSION

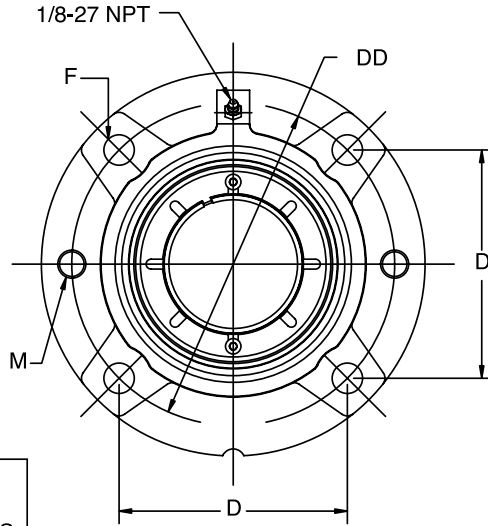
\*\* 4-7/16 THRU 5" HAVE (6) EQUALLY SPACED MOUNTING HOLES

IMPERIAL FEATURES PAGE B10-3	IMPERIAL SPECIFICATION PAGE B10-6	IMPERIAL NOMENCLATURE PAGE B10-9	IMPERIAL SELECTION PAGE B10-12
---------------------------------	--------------------------------------	-------------------------------------	-----------------------------------

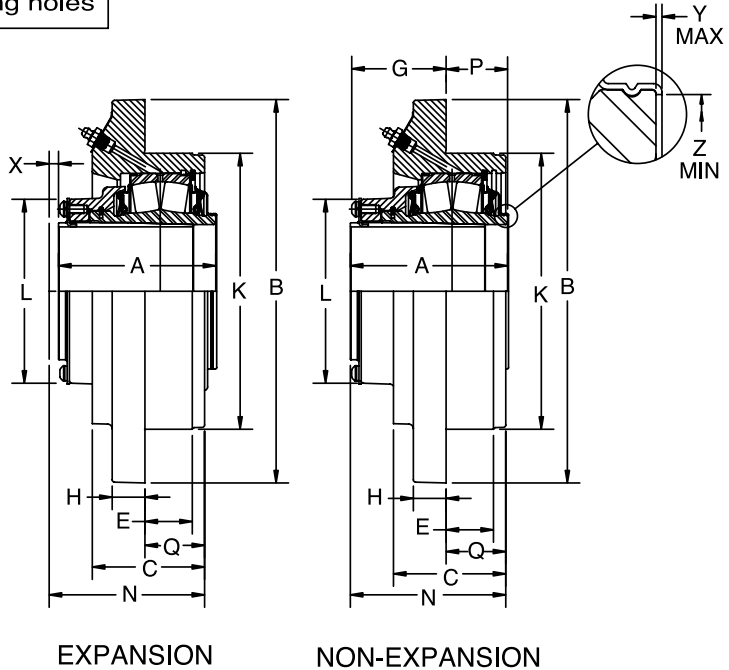
# DIMENSION



## IMPERIAL - IP Piloted Flange with Type E Dimension



**Note:** 4-7/16 thru 4-15/16 sizes have 6 evenly spaced mounting holes



<p>IMPERIAL FEATURES PAGE B10-3</p>	<p>IMPERIAL SPECIFICATION PAGE B10-6</p>	<p>IMPERIAL NOMENCLATURE PAGE B10-9</p>	<p>IMPERIAL SELECTION PAGE B10-12</p>
---	--	---	---



## IMPERIAL - IP Piloted Flange with Type E Dimension

Bearing Series	Shaft Size*	TRIDENT SEAL				Labyrinth Seal			
		Non Expansion		Expansion		Non Expansion		Expansion	
		Part No.	Part Name	Part No.	Part Name	Part No.	Part Name	Part No.	Part Name
22215	2-11/16	069822	FC-IP-211R	069854	FC-IP-211RE	069886	FC-IP-211L	069918	FC-IP-211LE
	2-3/4	069823	FC-IP-212R	069855	FC-IP-212RE	069887	FC-IP-212L	069919	FC-IP-212LE
	2-15/16	069824	FC-IP-215R	069856	FC-IP-215RE	069888	FC-IP-215L	069920	FC-IP-215LE
	3	069825	FC-IP-300R	069857	FC-IP-300RE	069889	FC-IP-300L	069921	FC-IP-300LE
22218	3-3/16	069826	FC-IP-303R	069858	FC-IP-303RE	069890	FC-IP-303L	069922	FC-IP-303LE
	3-1/4	069827	FC-IP-304R	069859	FC-IP-304RE	069891	FC-IP-304L	069923	FC-IP-304LE
	3-7/16	069828	FC-IP-307R	069860	FC-IP-307RE	069892	FC-IP-307L	069924	FC-IP-307LE
	3-1/2	069829	FC-IP-308R	069861	FC-IP-308RE	069893	FC-IP-308L	069925	FC-IP-308LE
22220	3-15/16	069831	FC-IP-315R	069863	FC-IP-315RE	069895	FC-IP-315L	069927	FC-IP-315LE
	4	069832	FC-IP-400R	069864	FC-IP-400RE	069896	FC-IP-400L	069928	FC-IP-400LE
22222	4-7/16	071272	EFC-IP-407R	071276	EFC-IP-407RE	071280	EFC-IP-407L	071284	EFC-IP-407LE
	4-1/2	071273	EFC-IP-408R	071277	EFC-IP-408RE	071281	EFC-IP-408L	071285	EFC-IP-408LE
22226	4-15/16	071274	EFC-IP-415R	071278	EFC-IP-415RE	071282	EFC-IP-415L	071286	EFC-IP-415LE
	5	071275	EFC-IP-500R	071279	EFC-IP-500RE	071283	EFC-IP-500L	071287	EFC-IP-500LE

\*CONSULT DODGE FOR SIZES NOT LISTED

SHAFT SIZE	A	B #	C #	D	DD	E #	F BOLT DIA.	G	H #	K ##	L	M	N	P	Q #	X TOTAL EXP.	Y	Z
2-11/16 2-3/4 2-15/16 3	3.50	8.75	2.63	5.30	7.500	1.25	5/8	1.94	0.75	6.375	4.28	5/8-11	3.56	1.56	1.63	0.25	0.025	3.47
3-3/16 3-1/4 3-7/16 3-1/2	4.17	10.25	3.00	6.09	8.625	1.26	3/4	2.53	0.94	7.375	5.00	3/4-10	4.06	1.64	1.52	0.25	0.025	4.05
3-15/16 4	4.70	10.88	3.50	6.63	9.375	1.47	3/4	2.89	1.13	8.125	5.56	3/4-10	4.78	1.81	1.91	0.31	0.025	4.50
4-7/16 4-1/2	5.23	13.50	4.58	5.88	11.750	1.45	3/4 **	3.03	0.94	10.250	6.44	3/4-10	5.66	2.20	2.63	0.38	0.036	5.00
4-15/16 5	5.98	14.75	4.88	6.38	12.750	1.70	7/8 **	3.40	1.25	11.000	7.63	3/4-10	6.41	2.59	3.01	0.38	0.036	5.84

## - +0.000

-0.002

# - REFERENCE DIMENSION ONLY

NOTE(S): "P" AND "G" DIMENSIONS ARE FOR NON-EXPANSION ONLY

"A" AND "P" DIMENSIONS DO NOT INCLUDE "Y" DIMENSION

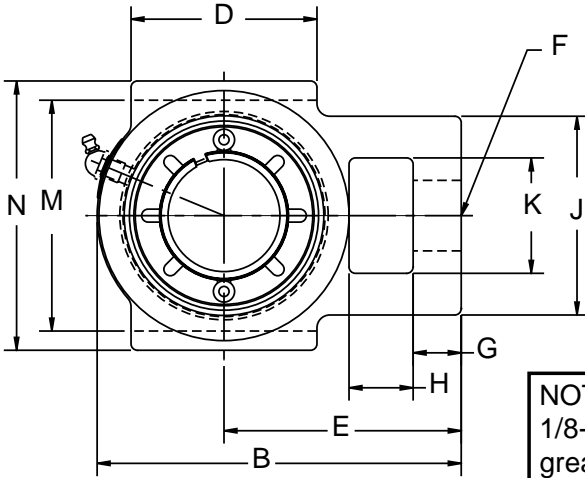
\*\* 4-7/16 THRU 5 HAVE (6) EQUALLY SPACED MOUNTING HOLES

IMPERIAL FEATURES PAGE B10-3	IMPERIAL SPECIFICATION PAGE B10-6	IMPERIAL NOMENCLATURE PAGE B10-9	IMPERIAL SELECTION PAGE B10-12
---------------------------------	--------------------------------------	-------------------------------------	-----------------------------------

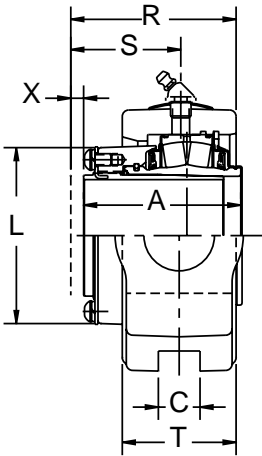
# DIMENSION



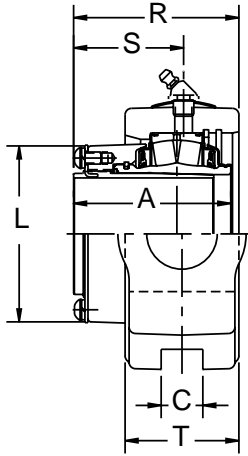
## IMPERIAL - IP Wide Slot Take-Up 1-1/8 THRU 2-1/4 INCH



NOTE: All sizes use a 1/8-27 NPT hydraulic grease fitting



EXPANSION



NON-EXPANSION

IMPERIAL FEATURES PAGE B10-3	IMPERIAL SPECIFICATION PAGE B10-6	IMPERIAL NOMENCLATURE PAGE B10-9	IMPERIAL SELECTION PAGE B10-12
---------------------------------	--------------------------------------	-------------------------------------	-----------------------------------

# DIMENSION



## IMPERIAL - IP Wide Slot Take-Up 1-1/8 THRU 2-1/4 INCH

Bearing	Shaft Size Inch	Take-Up Frame	TRIDENT Seal			
			Non-Expansion		Expansion	
			Part No.	Part Name	Part No.	Part Name
22208	1 - 1/8	CP-308	<b>069340</b>	WSTU-IP-102R	<b>069368</b>	WSTU-IP-102RE
	1 - 3/16		<b>069341</b>	WSTU-IP-103R	<b>069369</b>	WSTU-IP-103RE
	1 - 1/4		<b>069342</b>	WSTU-IP-104R	<b>069370</b>	WSTU-IP-104RE
	1 - 3/8		<b>069343</b>	WSTU-IP-106R	<b>069371</b>	WSTU-IP-106RE
	1 - 7/16		<b>069344</b>	WSTU-IP-107R	<b>069372</b>	WSTU-IP-107RE
	1 - 1/2		<b>069345</b>	WSTU-IP-108R	<b>069373</b>	WSTU-IP-108RE
22209	1 - 5/8	CP-400	<b>069346</b>	WSTU-IP-110R	<b>069374</b>	WSTU-IP-110RE
	1 - 11/16		<b>069347</b>	WSTU-IP-111R	<b>069375</b>	WSTU-IP-111RE
	1 - 3/4		<b>069348</b>	WSTU-IP-112R	<b>069376</b>	WSTU-IP-112RE
22210	1 - 7/8	CP-400	<b>069349</b>	WSTU-IP-114R	<b>069377</b>	WSTU-IP-114RE
	1 - 15/16		<b>069350</b>	WSTU-IP-115R	<b>069378</b>	WSTU-IP-115RE
	2		<b>069351</b>	WSTU-IP-200R	<b>069379</b>	WSTU-IP-200RE
22211	2 - 3/16	CP-408	<b>069352</b>	WSTU-IP-203R	<b>069380</b>	WSTU-IP-203RE
	2 - 1/4		<b>069353</b>	WSTU-IP-204R	<b>069381</b>	WSTU-IP-204RE

Metric shaft sizes available upon request

See Page B15-20 for CP. Take-Up Frame

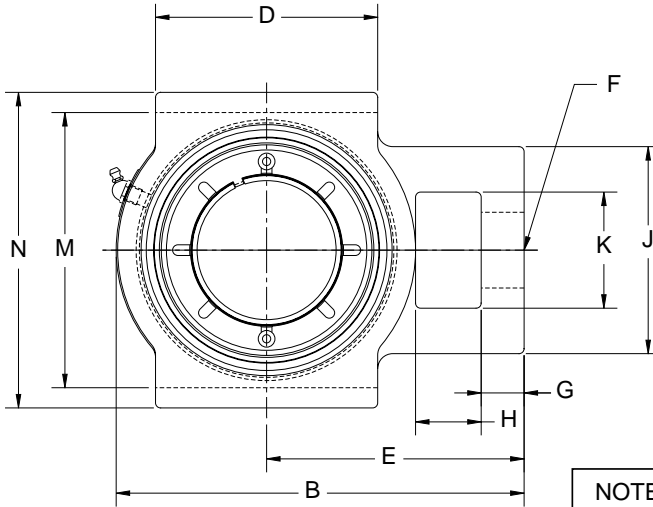
SHAFT SIZE	A	B	C	D	E	F	G	H	J	K	L	M	N	R	S	T	X TOTAL EXP
1 - 1/8																	
1 - 3/16																	
1 - 1/4	2 - 5/8	5 - 1/16	17/32	2 - 3/4	3 - 3/16	7/8	11/16	5/8	2 - 7/16	1 - 7/16	2 - 23/32	3 - 1/2	4 - 1/8	2 - 53/64	1 - 47/64	2 - 1/16	3/16
1 - 3/8																	
1 - 7/16																	
1 - 1/2																	
1 - 5/8																	
1 - 11/16	2 - 13/16	5 - 15/16	11/16	3 - 1/8	3 - 13/16	1 - 1/8	15/16	3/4	3 - 5/16	1 - 15/16	3	4	4 - 3/4	2 - 31/32	1 - 63/64	2 - 1/32	1/4
1 - 3/4																	
1 - 7/8																	
1 - 15/16	2 - 55/64	6 - 3/16	11/16	3 - 5/8	3 - 15/16	1 - 1/8	15/16	3/4	3 - 5/16	1 - 15/16	3 - 9/32	4	4 - 3/4	2 - 15/16	2	2	1/4
2																	
2 - 3/16																	
2 - 1/4	3 - 1/32	7 - 1/16	13/16	3 - 5/8	4 - 5/8	1 - 3/8	15/16	1 - 1/4	3 - 7/8	2 - 1/4	3 - 1/2	4 - 1/2	5 - 1/4	3 - 3/16	2 - 7/64	2 - 7/32	1/4

IMPERIAL FEATURES PAGE B10-3	IMPERIAL SPECIFICATION PAGE B10-6	IMPERIAL NOMENCLATURE PAGE B10-9	IMPERIAL SELECTION PAGE B10-12
---------------------------------	--------------------------------------	-------------------------------------	-----------------------------------

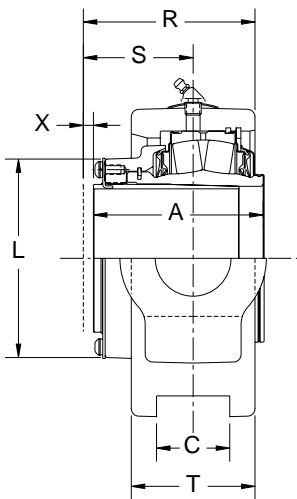
# DIMENSION



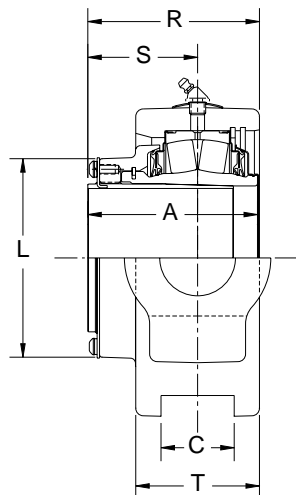
## IMPERIAL - IP Wide Slot Take-Up 2-3/8 THRU 4 INCH



NOTE: All sizes use a 1/8-27 NPT hydraulic grease fitting



EXPANSION



NON-EXPANSION

NOTE: See page B10-58 for 1-1/8 thru 2-1/4 inch

IMPERIAL FEATURES PAGE B10-3	IMPERIAL SPECIFICATION PAGE B10-6	IMPERIAL NOMENCLATURE PAGE B10-9	IMPERIAL SELECTION PAGE B10-12
---------------------------------	--------------------------------------	-------------------------------------	-----------------------------------

# DIMENSION



## IMPERIAL - IP Wide Slot Take-Up 2-3/8 THRU 4 INCH

Bearing	Shaft Size Inch	Take-Up Frame	TRIDENT Seal			
			Non-Expansion		Expansion	
			Part No.	Part Name	Part No.	Part Name
22213	2 - 3/8	CP-502	<b>069354</b>	WSTU-IP-206R	<b>069382</b>	WSTU-IP-206RE
	2 - 7/16		<b>069355</b>	WSTU-IP-207R	<b>069383</b>	WSTU-IP-207RE
	2 - 1/2		<b>069356</b>	WSTU-IP-208R	<b>069384</b>	WSTU-IP-208RE
22215	2 - 11/16	CP-515	<b>069357</b>	WSTU-IP-211R	<b>069385</b>	WSTU-IP-211RE
	2 - 3/4		<b>069358</b>	WSTU-IP-212R	<b>069386</b>	WSTU-IP-212RE
	2 - 15/16		<b>069359</b>	WSTU-IP-215R	<b>069387</b>	WSTU-IP-215RE
	3		<b>069360</b>	WSTU-IP-300R	<b>069388</b>	WSTU-IP-300RE
22218	3 - 3/16	CP-613	<b>069361</b>	WSTU-IP-303R	<b>069389</b>	WSTU-IP-303RE
	3 - 1/4		<b>069362</b>	WSTU-IP-304R	<b>069390</b>	WSTU-IP-304RE
	3 - 7/16		<b>069363</b>	WSTU-IP-307R	<b>069391</b>	WSTU-IP-307RE
	3 - 1/2		<b>069364</b>	WSTU-IP-308R	<b>069392</b>	WSTU-IP-308RE
22220	3 - 11/16	CP-810	<b>069365</b>	WSTU-IP-311R	<b>069393</b>	WSTU-IP-311RE
	3 - 15/16		<b>069366</b>	WSTU-IP-315R	<b>069394</b>	WSTU-IP-315RE
	4		<b>069367</b>	WSTU-IP-400R	<b>069395</b>	WSTU-IP-400RE

Metric shaft sizes available upon request

See Page B15-20 for CP Take-U Frame

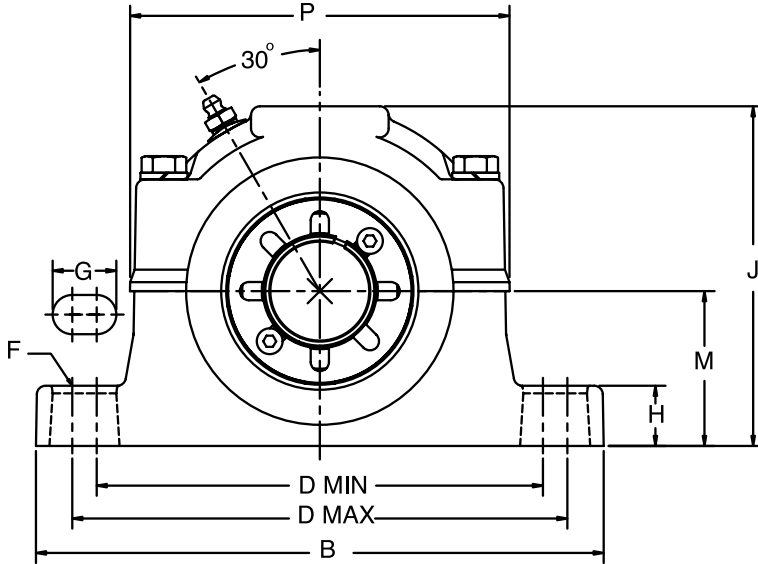
SHAFT SIZE	A	B	C	D	E	F	G	H	J	K	L	M	N	R	S	T	X TOTAL EXP
2 - 3/8																	
2 - 7/16	3 - 27/64	7 - 11/16	1 - 1/16	4 - 3/8	5	1 - 3/8	1 - 1/16	1 - 1/4	4 - 1/4	2 - 1/2	3 - 7/8	5 - 1/8	5 - 7/8	3 - 7/16	2 - 7/32	2 - 7/16	1/4
2 - 1/2																	
2 - 11/16																	
2 - 3/4	3 - 1/2	8 - 7/8	1 - 13/16	4 - 1/2	5 - 3/4	1 - 5/8	1 - 1/8	1 - 1/2	4 - 7/8	2 - 3/4	4 - 9/32	5 - 15/16	6 - 11/16	3 - 43/64	2 - 9/32	2 - 11/16	1/4
2 - 15/16																	
3																	
3 - 3/16																	
3 - 1/4	4 - 5/32	10 - 1/16	1 - 13/16	5 - 1/2	6 - 3/8	1 - 7/8	1 - 1/16	1 - 5/8	5 - 1/8	2 - 7/8	5	6 - 13/16	7 - 13/16	4 - 7/32	2 - 11/16	3 - 1/16	1/4
3 - 7/16																	
3 - 1/2																	
3 - 11/16																	
3 - 15/16	4 - 45/64	12 - 9/16	2 - 1/16	7	8 - 3/8	2 - 1/8	2 - 1/16	2 - 1/8	6	3 - 3/8	5 - 9/16	8 - 5/8	9 - 7/16	4 - 51/64	3 - 3/64	3 - 7/16	5/16
4																	

IMPERIAL FEATURES PAGE B10-3	IMPERIAL SPECIFICATION PAGE B10-6	IMPERIAL NOMENCLATURE PAGE B10-9	IMPERIAL SELECTION PAGE B10-12
---------------------------------	--------------------------------------	-------------------------------------	-----------------------------------

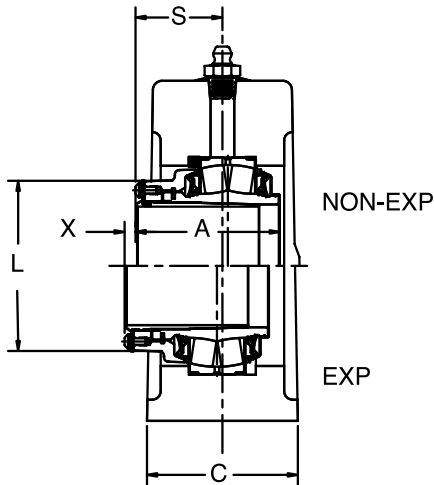
# DIMENSION



## IMPERIAL ISAF 1-7/16 THRU 3-7/16 INCH - 2-BOLT



NOTE: All sizes use a 1/8-27 NPT hydraulic grease fitting



CONTACT SEAL

NOTE: See page B10-62 for 2-7/16 thru 7 inch

<p>IMPERIAL FEATURES PAGE B10-3</p>	<p>IMPERIAL SPECIFICATION PAGE B10-6</p>	<p>IMPERIAL NOMENCLATURE PAGE B10-9</p>	<p>IMPERIAL SELECTION PAGE B10-12</p>
---	--	---	---





## IMPERIAL ISAF 1-7/16 THRU 3-7/16 INCH - 2-BOLT

Bearing	Shaft Size Inch	TRIDENT Seal				Labyrinth Seal			
		Non-Expansion		Expansion		Non-Expansion		Expansion	
		Part No.	Part Name	Part No.	Part Name	Part No.	Part Name	Part No.	Part Name
22208	1-7/16	<b>070054</b>	P2B509-ISAF-107R	<b>070064</b>	P2B509-ISAF-107RE	<b>070074</b>	P2B509-ISAF-107L	<b>070084</b>	P2B509-ISAF-107LE
22209	1-11/16	<b>070055</b>	P2B510-ISAF-111R	<b>070065</b>	P2B510-ISAF-111RE	<b>070075</b>	P2B510-ISAF-111L	<b>070085</b>	P2B510-ISAF-111LE
22210	1-15/16	<b>070056</b>	P2B511-ISAF-115R	<b>070066</b>	P2B511-ISAF-115RE	<b>070076</b>	P2B511-ISAF-115L	<b>070086</b>	P2B511-ISAF-115LE
22211	2-3/16	<b>070057</b>	P2B513-ISAF-203R	<b>070067</b>	P2B513-ISAF-203RE	<b>070077</b>	P2B513-ISAF-203L	<b>070087</b>	P2B513-ISAF-203LE
22213	2-7/16	<b>070951</b>	P2B515-ISAF-207R	<b>070955</b>	P2B515-ISAF-207RE	<b>070959</b>	P2B515-ISAF-207L	<b>070963</b>	P2B515-ISAF-207LE
22215	2-11/16	<b>070952</b>	P2B516-ISAF-211R	<b>070956</b>	P2B516-ISAF-211RE	<b>070960</b>	P2B516-ISAF-211L	<b>070964</b>	P2B516-ISAF-211LE
22215	2-15/16	<b>070953</b>	P2B517-ISAF-215R	<b>070957</b>	P2B517-ISAF-215RE	<b>070961</b>	P2B517-ISAF-215L	<b>070965</b>	P2B517-ISAF-215LE
22218	3-7/16	<b>070954</b>	P2B520-ISAF-307R	<b>070958</b>	P2B520-ISAF-307RE	<b>070962</b>	P2B520-ISAF-307L	<b>070966</b>	P2B520-ISAF-307LE

Metric shaft sizes available upon request

Shaft Size	SAF Series	A	B	C	D		F Bolts	G
					Min	Max		
1-7/16	<b>509</b>	2-5/8	8-1/4	2-3/16	6-1/4	7	1/2	15/16
1-11/16	<b>510</b>	2-13/16	8-1/4	2-3/8	6-1/2	7	1/2	7/8
1-15/16	<b>511</b>	2-55/64	9-5/8	2-3/4	7-3/8	8-1/4	5/8	1-13/64
2-3/16	<b>513</b>	3-1/32	11	3-1/4	8-21/32	9-1/2	5/8	1-5/32
2-7/16	<b>515</b>	3-27/64	11-1/8	3-1/8	8-5/8	9-5/8	5/8	1-1/8
2-11/16	<b>516</b>	3-1/2	12-19/32	3-1/2	9-7/8	11	3/4	1-5/16
2-15/16	<b>517</b>	3-1/2	12-19/32	3-1/2	9-7/8	11	3/4	1-5/16
3-7/16	<b>520</b>	4-5/32	15-23/64	4-11/32	11-13/16	13-1/8	7/8	1-5/8

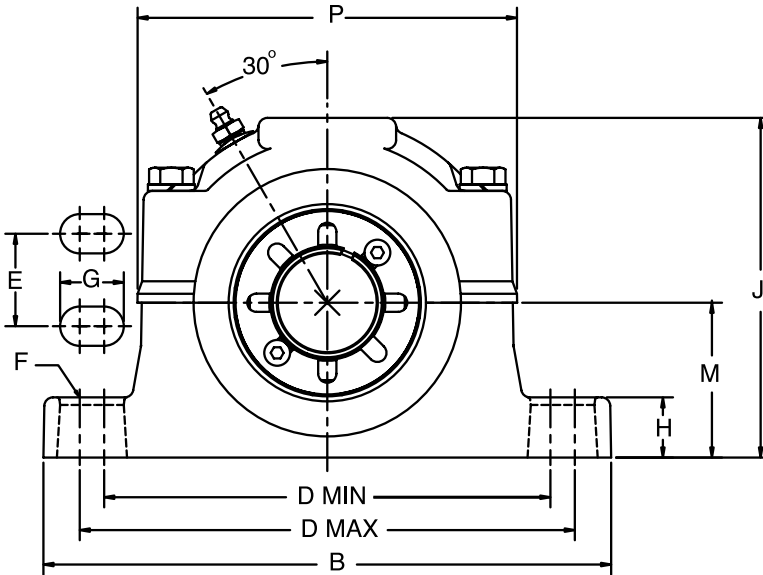
Shaft Size	SAF Series	H	J	L	M	P	S	X Expansion
1-7/16	<b>509</b>	7/8	4-15/16	2-23/32	2-1/4	5-33/64	1-17/32	7/32
1-11/16	<b>510</b>	1-1/32	5-29/64	3	2-1/2	5-13/16	1-47/64	7/32
1-15/16	<b>511</b>	1-1/32	5-31/32	3-9/32	2-3/4	6-3/8	1-47/64	17/64
2-3/16	<b>513</b>	1-1/32	6-11/32	3-1/2	3	6-31/32	1-7/8	7/32
2-7/16	<b>515</b>	1-1/4	6-55/64	3-7/8	3-1/4	7-27/64	2-1/16	5/16
2-11/16	<b>516</b>	1	7-1/2	4-9/32	3-1/2	8-5/16	2-5/32	15/64
2-15/16	<b>517</b>	1-1/4	7-3/4	4-9/32	3-3/4	8-5/16	2-5/32	15/64
3-7/16	<b>520</b>	1-21/32	9-1/4	5	4-1/2	10-1/8	2-31/64	3/8

IMPERIAL FEATURES PAGE B10-3	IMPERIAL SPECIFICATION PAGE B10-6	IMPERIAL NOMENCLATURE PAGE B10-9	IMPERIAL SELECTION PAGE B10-12
---------------------------------	--------------------------------------	-------------------------------------	-----------------------------------

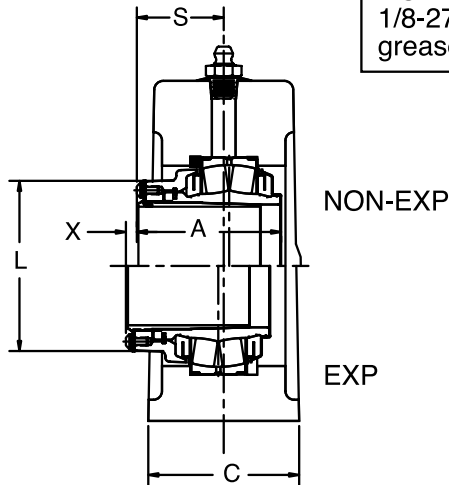
# DIMENSION



## IMPERIAL ISAF 2-7/16 THRU 7 INCH - 4-BOLT



NOTE: All sizes use a 1/8-27 NPT hydraulic grease fitting



LABYRINTH SEAL

NOTE: See page B10-60 for 1-1/8 thru 2-3/16 inch

<p>IMPERIAL FEATURES PAGE B10-3</p>	<p>IMPERIAL SPECIFICATION PAGE B10-6</p>	<p>IMPERIAL NOMENCLATURE PAGE B10-9</p>	<p>IMPERIAL SELECTION PAGE B10-12</p>
---	--	---	---



## IMPERIAL ISAF 2-7/16 THRU 7 INCH - 4-BOLT

Bearing	Shaft Size Inch	TRIDENT Seal				Labyrinth Seal			
		Non-Expansion		Expansion		Non-Expansion		Expansion	
		Part No.	Part Name	Part No.	Part Name	Part No.	Part Name	Part No.	Part Name
22213	2-7/16	<b>070058</b>	P4B515-ISAF-207R	<b>070068</b>	P4B515-ISAF-207RE	<b>070078</b>	P4B515-ISAF-207L	<b>070088</b>	P4B515-ISAF-207LE
22215	2-11/16	<b>070094</b>	P4B516-ISAF-211R	<b>070095</b>	P4B516-ISAF-211RE	<b>070096</b>	P4B516-ISAF-211L	<b>070097</b>	P4B516-ISAF-211LE
22215	2-15/16	<b>070059</b>	P4B517-ISAF-215R	<b>070069</b>	P4B517-ISAF-215RE	<b>070079</b>	P4B517-ISAF-215L	<b>070089</b>	P4B517-ISAF-215LE
22218	3-7/16	<b>070060</b>	P4B520-ISAF-307R	<b>070070</b>	P4B520-ISAF-307RE	<b>070080</b>	P4B520-ISAF-307L	<b>070090</b>	P4B520-ISAF-307LE
22220	3-15/16	<b>070061</b>	P4B522-ISAF-315R	<b>070071</b>	P4B522-ISAF-315RE	<b>070081</b>	P4B522-ISAF-315L	<b>070091</b>	P4B522-ISAF-315LE
22222	4-7/16	<b>070062</b>	P4B526-ISAF-407R	<b>070072</b>	P4B526-ISAF-407RE	<b>070082</b>	P4B526-ISAF-407L	<b>070092</b>	P4B526-ISAF-407LE
22226	4-15/16	<b>070063</b>	P4B528-ISAF-415R	<b>070073</b>	P4B528-ISAF-415RE	<b>070083</b>	P4B528-ISAF-415L	<b>070093</b>	P4B528-ISAF-415LE
22228	5-7/16	<b>037850</b>	P4B532-ISAF-507R	<b>037854</b>	P4B532-ISAF-507RE	<b>037901</b>	P4B532-ISAF-507L	<b>037902</b>	P4B532-ISAF-507LE
	5-1/2	<b>037903</b>	P4B532-ISAF-508R	<b>037904</b>	P4B532-ISAF-508RE	<b>037905</b>	P4B532-ISAF-508L	<b>037906</b>	P4B532-ISAF-508LE
22232	5-15/16	<b>037851</b>	P4B534-ISAF-515R	<b>037855</b>	P4B534-ISAF-515RE	<b>037907</b>	P4B534-ISAF-515L	<b>037908</b>	P4B534-ISAF-515LE
	6	<b>037909</b>	P4B534-ISAF-600R	<b>037910</b>	P4B534-ISAF-600RE	<b>037911</b>	P4B534-ISAF-600L	<b>037912</b>	P4B534-ISAF-600LE
22236	6-7/16	<b>037852</b>	P4B536-ISAF-607R	<b>037856</b>	P4B536-ISAF-607RE	<b>037913</b>	P4B536-ISAF-607L	<b>037914</b>	P4B536-ISAF-607LE
	6-1/2	<b>037915</b>	P4B536-ISAF-608R	<b>037916</b>	P4B536-ISAF-608RE	<b>037917</b>	P4B536-ISAF-608L	<b>037918</b>	P4B536-ISAF-608LE
22236	6-15/16	<b>037853</b>	P4B538-ISAF-615R	<b>037857</b>	P4B538-ISAF-615RE	<b>037919</b>	P4B538-ISAF-615L	<b>037920</b>	P4B538-ISAF-615LE
	7	<b>037921</b>	P4B538-ISAF-700R	<b>037922</b>	P4B538-ISAF-700RE	<b>037923</b>	P4B538-ISAF-700L	<b>037924</b>	P4B538-ISAF-700LE

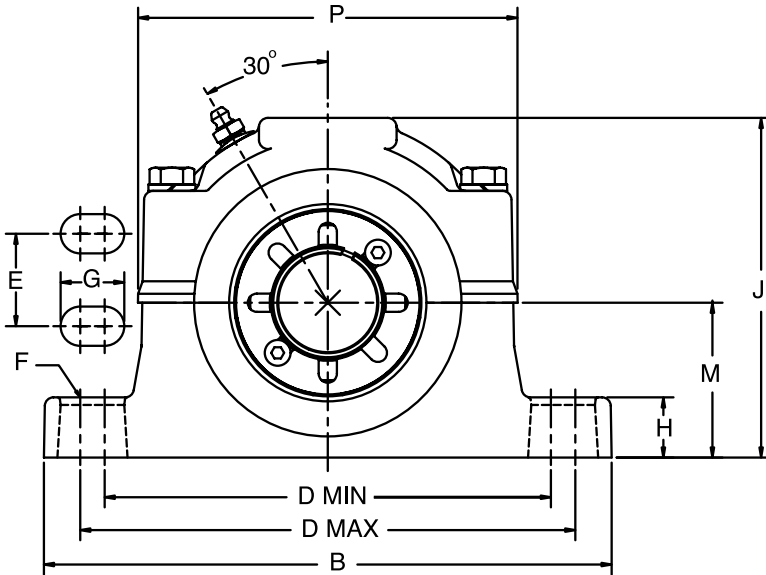
See Page B10-65 for dimensions

IMPERIAL FEATURES PAGE B10-3	IMPERIAL SPECIFICATION PAGE B10-6	IMPERIAL NOMENCLATURE PAGE B10-9	IMPERIAL SELECTION PAGE B10-12
---------------------------------	--------------------------------------	-------------------------------------	-----------------------------------

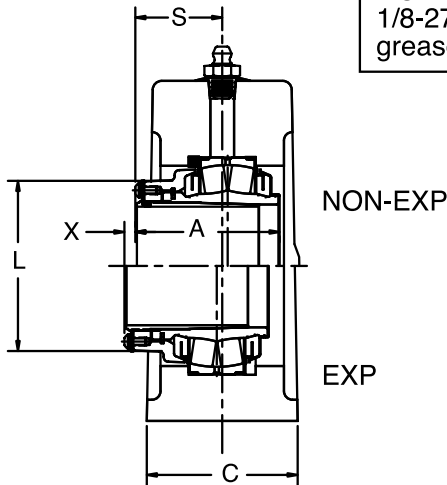
# DIMENSION



## IMPERIAL ISAF 2-7/16 THRU 7 INCH - 4-BOLT



NOTE: All sizes use a 1/8-27 NPT hydraulic grease fitting



LABYRINTH SEAL

IMPERIAL FEATURES PAGE B10-3	IMPERIAL SPECIFICATION PAGE B10-6	IMPERIAL NOMENCLATURE PAGE B10-9	IMPERIAL SELECTION PAGE B10-12
---------------------------------	--------------------------------------	-------------------------------------	-----------------------------------



## IMPERIAL ISAF 2-7/16 THRU 7 INCH - 4-BOLT

IMPERIAL - ISAF

UNIFIED SAF

International Bearings

Sleeve Bearing

SLEEVOIL

Shaft Size	SAF Series	A	B	C	D		E	F Bolts	G
					Min	Max			
2-7/16	<b>515</b>	3-27/64	11-1/8	3-1/8	8-5/8	9-5/8	1-7/8	1/2	1-1/8
2-11/16	<b>516</b>	3-1/2	12-19/32	3-1/2	9-7/8	11	2-1/8	5/8	1-5/16
2-15/16	<b>517</b>	3-1/2	12-19/32	3-1/2	9-7/8	11	2-1/8	5/8	1-5/16
3-7/16	<b>520</b>	4-5/32	15-23/64	4-11/32	11-13/16	13-1/8	2-3/8	3/4	1-5/8
3-15/16	<b>522</b>	4-45/64	16-1/2	4-3/4	12-19/32	14-1/2	2-3/4	3/4	1-53/64
4-7/16	<b>526</b>	5-15/64	18-3/8	5-1/8	14-1/2	16	3-1/4	7/8	1-3/4
4-15/16 5-7/16	<b>528</b>	5-63/64	19-45/64	5-7/8	15-5/8	17-3/8	3-3/8	1	2
5-1/2 5-15/16	<b>532</b>	6-11/64	21-21/32	6-1/4	17-3/8	19-1/4	3-3/4	1	2-1/16
6 6-7/16	<b>534</b>	7-5/64	24-3/4	6-3/4	19-3/8	21-5/8	4-1/4	1	2-1/4
6-1/2 6-15/16	<b>536</b>	7-25/64	26-3/4	7-1/8	20-7/8	23-5/8	4-5/8	1	2-1/2
7	<b>538</b>	7-25/64	28	7-1/2	21-5/8	24-3/8	4-1/2	1-1/4	2-3/4

Shaft Size	SAF Series	H	J	L	M	P	S	X Expansion
2-7/16	<b>515</b>	1-1/4	6-55/64	3-7/8	3-1/4	7-27/64	2-1/16	5/16
2-11/16	<b>516</b>	1	7-1/2	4-9/32	3-1/2	8-5/16	2-5/32	15/64
2-15/16	<b>517</b>	1-1/4	7-3/4	4-9/32	3-3/4	8-5/16	2-5/32	15/64
3-7/16	<b>520</b>	1-21/32	9-1/4	5	4-1/2	10-1/8	2-31/64	3/8
3-15/16	<b>522</b>	1-25/32	10-3/16	5-9/16	4-15/16	10-23/32	2-55/64	3/8
4-7/16	<b>526</b>	2-1/16	11-21/32	6-7/16	6	12-15/32	3-3/32	3/8
4-15/16 5-7/16	<b>528</b>	2-1/16	12-13/32	7-5/8	6	13-3/8	3-11/16	3/8
5-1/2 5-15/16	<b>532</b>	2-11/32	12-1/2	8-3/4	6-11/16	13-3/8	3-41/64	3/8
6 6-7/16	<b>534</b>	2-7/8	13-11/16	10-1/4	7-1/16	15-3/32	4-7/64	3/8
6-1/2 6-15/16	<b>536</b>	3	15-1/8	11-13/32	7-1/2	17-3/8	4-11/32	3/8
7	<b>538</b>	3-1/8	15-1/2	11-13/32	7-7/8	17-3/8	4-11/32	3/8

See page B10-63 for part number

IMPERIAL FEATURES PAGE B10-3	IMPERIAL SPECIFICATION PAGE B10-6	IMPERIAL NOMENCLATURE PAGE B10-9	IMPERIAL SELECTION PAGE B10-12
---------------------------------	--------------------------------------	-------------------------------------	-----------------------------------



## IMPERIAL ISAF

### How to Order ISAF Smart Stock Selections

#### Step 1: The Housing Choices

ISAF housings with embedded thermocoupled probe and adapter plate

Shaft Size	Series	Drilled Housing Part Numbers For Temperature and/or Vibration Part #
207	515	063765
215	517	063766
307	520	063767
315	522	063768
407	526	063769
415	528	063770

#### Step 2: Bearing Insert

Select insert based on shaft size and seal choice. Locknut contains 4 holes for prox target attachment.

Shaft Size	TRIDENT Seal	Labyrinth Seals
207	070895	070927
215	070899	070931
307	070903	070935
315	070906	070938
407	048385	048389
415	048386	048390

\* For additional details on DODGE Smart Bearings, see brochure DMR 2026-6

IMPERIAL FEATURES PAGE B10-3	IMPERIAL SPECIFICATION PAGE B10-6	IMPERIAL NOMENCLATURE PAGE B10-9	IMPERIAL SELECTION PAGE B10-12
---------------------------------	--------------------------------------	-------------------------------------	-----------------------------------



## IMPERIAL ISAF

### How to Order ISAF Smart Stock Selections

#### Step 3: The Sensor Choices

For speed monitoring, select prox cover and prox kit, either AC for PLC monitoring or DC for EZ Link. Add the Cable Connector kit for EZ Link speed monitoring

For temperature monitoring select the Thermocouple Transmitter kit **055931**

For temperature and vibration monitoring select **067576**

To monitor temperature, vibration, and speed select EZ Link.

Prox Covers		
Shaft Size	Housing Series	Part Number
207	515	<b>063771</b>
215	517	<b>063772</b>
307	520	<b>063773</b>
315	522	<b>063774</b>
407	526	<b>063775</b>
415	528	<b>063776</b>

ISAF Sensor Kits	Part Number
AC Prox	<b>055940</b>
DC Prox	<b>055945</b>
Thermocouple Transmitter	<b>055931</b>
EZLINK	<b>059652</b>
Cable Connector Kit	<b>063694</b>
4-20 ma Accelerometer and Thermocouple	<b>067576</b>

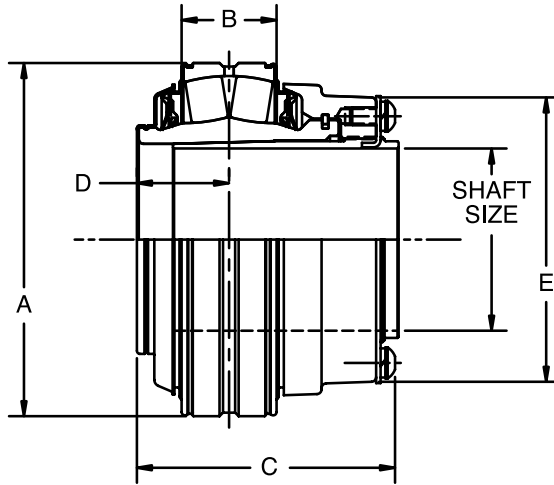
IMPERIAL FEATURES PAGE B10-3	IMPERIAL SPECIFICATION PAGE B10-6	IMPERIAL NOMENCLATURE PAGE B10-9	IMPERIAL SELECTION PAGE B10-12
---------------------------------	--------------------------------------	-------------------------------------	-----------------------------------

# DIMENSION

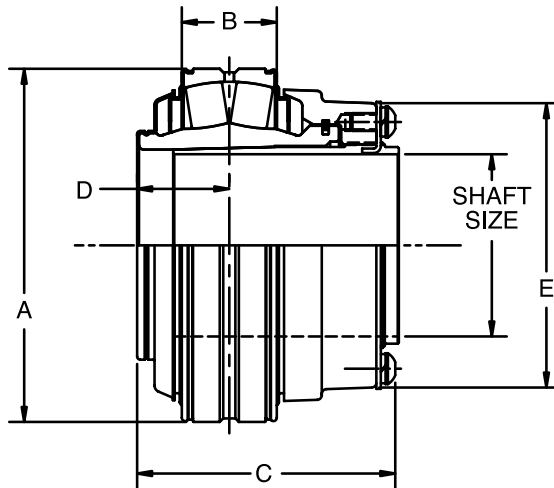


## IMPERIAL Bearing Insert - For IP, IP-E and ISAF Housings 1-1/8 THRU 2-1/4 INCH

TRIDENT SEAL



LABYRINTH SEAL



IMPERIAL FEATURES PAGE B10-3	IMPERIAL SPECIFICATION PAGE B10-6	IMPERIAL NOMENCLATURE PAGE B10-9	IMPERIAL SELECTION PAGE B10-12
---------------------------------	--------------------------------------	-------------------------------------	-----------------------------------





## IMPERIAL Bearing Insert - For IP, IP-E and ISAF Housing

### 1-1/8 THRU 2-1/4 PART NUMBERS

Bearing Series	Shaft Size - Inch	TRIDENT Seal		Labyrinth Seal	
		Part Number	Part Name	Part Number	Part Name
22208	1-1/8	<b>070880</b>	INS-IP-102R	<b>070912</b>	INS-IP-102L
	1-3/16	<b>070881</b>	INS-IP-103R	<b>070913</b>	INS-IP-103L
	1-1/4	<b>070882</b>	INS-IP-104R	<b>070914</b>	INS-IP-104L
	1-3/8	<b>070883</b>	INS-IP-106R	<b>070915</b>	INS-IP-106L
	1-7/16	<b>070884</b>	INS-IP-107R	<b>070916</b>	INS-IP-107L
	1-1/2	<b>070885</b>	INS-IP-108R	<b>070917</b>	INS-IP-108L
22209	1-1/2 *	<b>071590</b>	INS-IPE-108R	<b>071593</b>	INS-IPE-108L
	1-5/8	<b>070886</b>	INS-IP-110R	<b>070918</b>	INS-IP-110L
	1-11/16	<b>070887</b>	INS-IP-111R	<b>070919</b>	INS-IP-111L
	1-3/4	<b>070888</b>	INS-IP-112R	<b>070920</b>	INS-IP-112L
22210	1-3/4 *	<b>071591</b>	INS-IPE-112R	<b>071594</b>	INS-IPE-112L
	1-7/8	<b>070889</b>	INS-IP-114R	<b>070921</b>	INS-IP-114L
	1-15/16	<b>070890</b>	INS-IP-115R	<b>070922</b>	INS-IP-115L
	2	<b>070891</b>	INS-IP-200R	<b>070923</b>	INS-IP-200L
22211	2-3/16	<b>070892</b>	INS-IP-203R	<b>070924</b>	INS-IP-203L
	2-1/4	<b>070893</b>	INS-IP-204R	<b>070925</b>	INS-IP-204L

\* Inserts for IMPERIAL-Type E dimensioned housings only

Metric shaft sizes available upon request

SHAFT SIZE	A	B	C	D	E
1-1/8	3.1496	61/64	2-5/8	0.97	2-23/32
1-3/16					
1-1/4					
1-3/8					
1-7/16					
1-1/2					
1-1/2 *	3.3465	61/64	2-13/16	0.954	3
1-5/8					
1-11/16					
1-3/4					
1-3/4 *	3.5433	61/64	2-55/64	0.977	3-9/32
1-7/8					
1-15/16					
2					
2-3/16	3.937	1-3/64	3-1/32	1.05	3-1/2
2-1/4					

\* Inserts for IMPERIAL-Type E dimensioned housings only

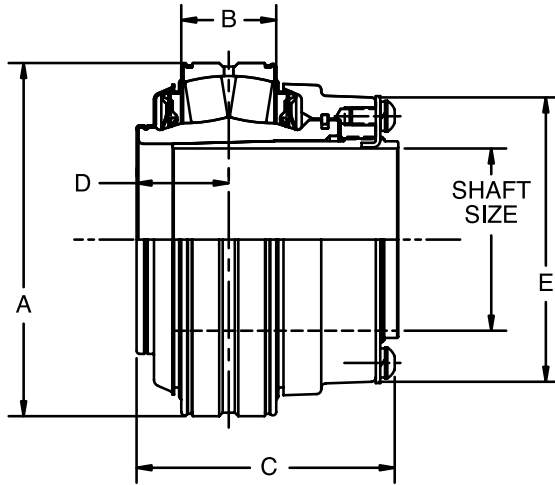
IMPERIAL FEATURES PAGE B10-3	IMPERIAL SPECIFICATION PAGE B10-6	IMPERIAL NOMENCLATURE PAGE B10-9	IMPERIAL SELECTION PAGE B10-12
---------------------------------	--------------------------------------	-------------------------------------	-----------------------------------

# DIMENSION

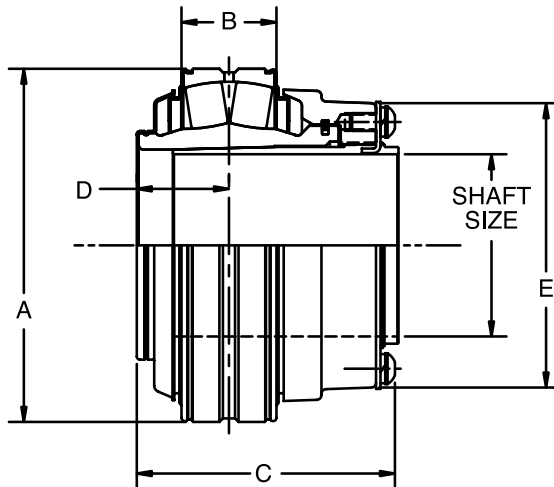


## IMPERIAL Bearing Insert - For IP, IP-E and ISAF Housings 2-3/8 THRU 5 INCH

TRIDENT SEAL



LABYRINTH SEAL



<p>IMPERIAL FEATURES PAGE B10-3</p>	<p>IMPERIAL SPECIFICATION PAGE B10-6</p>	<p>IMPERIAL NOMENCLATURE PAGE B10-9</p>	<p>IMPERIAL SELECTION PAGE B10-12</p>
---	--	---	---



## IMPERIAL Bearing Insert - For IP, IP-E and ISAF Housings 2-3/8 THRU 5 INCH - PART NUMBERS

Bearing Series	Shaft Size	TRIDENT Seal		Labyrinth Seal	
		Part Number	Part Name	Part Number	Part Name
22213	2-1/4 *	<b>071592</b>	INS-IPE-204R	<b>071595</b>	INS-IPE-204L
	2-3/8	<b>070894</b>	INS-IP-206R	<b>070926</b>	INS-IP-206L
	2-7/16	<b>070895</b>	INS-IP-207R	<b>070927</b>	INS-IP-207L
	2-1/2	<b>070896</b>	INS-IP-208R	<b>070928</b>	INS-IP-208L
22215	2-11/16	<b>070897</b>	INS-IP-211R	<b>070929</b>	INS-IP-211L
	2-3/4	<b>070898</b>	INS-IP-212R	<b>070930</b>	INS-IP-212L
	2-15/16	<b>070899</b>	INS-IP-215R	<b>070931</b>	INS-IP-215L
	3	<b>070900</b>	INS-IP-300R	<b>070932</b>	INS-IP-300L
22218	3-3/16	<b>070901</b>	INS-IP-303R	<b>070933</b>	INS-IP-303L
	3-1/4	<b>070902</b>	INS-IP-304R	<b>070934</b>	INS-IP-304L
	3-7/16	<b>070903</b>	INS-IP-307R	<b>070935</b>	INS-IP-307L
	3-1/2	<b>070904</b>	INS-IP-308R	<b>070936</b>	INS-IP-308L
22220	3-11/16	<b>070905</b>	INS-IP-311R	<b>070937</b>	INS-IP-311L
	3-15/16	<b>070906</b>	INS-IP-315R	<b>070938</b>	INS-IP-315L
	4	<b>070907</b>	INS-IP-400R	<b>070939</b>	INS-IP-400L
22222	4-7/16	<b>070908</b>	INS-IP-407R	<b>070940</b>	INS-IP-407L
	4-1/2	<b>070909</b>	INS-IP-408R	<b>070941</b>	INS-IP-408L
22226	4-15/16	<b>070910</b>	INS-IP-415R	<b>070942</b>	INS-IP-415L
	5	<b>070911</b>	INS-IP-500R	<b>070943</b>	INS-IP-500L

\* Insert for IMPERIAL-Type E dimensioned housings only

Metric shaft sizes available upon request

SHAFT SIZE	A	B	C	D	E
2-1/4 *					
2-3/8	4.7241	1-9/32	3-27/64	1.208	3-7/8
2-7/16					
2-1/2					
2-11/16	5.1181	1-9/32	3-1/2	1.219	4-9/32
2-3/4					
2-15/16					
3					
3-3/16	6.2992	1-5/8	4-11/64	1.483	5
3-1/4					
3-7/16					
3-1/2					
3-11/16	7.0866	1-7/8	4-45/64	1.646	5-9/16
3-15/16					
4					
4-7/16	7.8740	2-5/32	5-15/64	1.935	6-7/16
4-1/2					
4-15/16	9.0551	2-19/32	5-63/64	2.107	7-5/8
5					

\* Insert for IMPERIAL-Type E dimensioned housings only

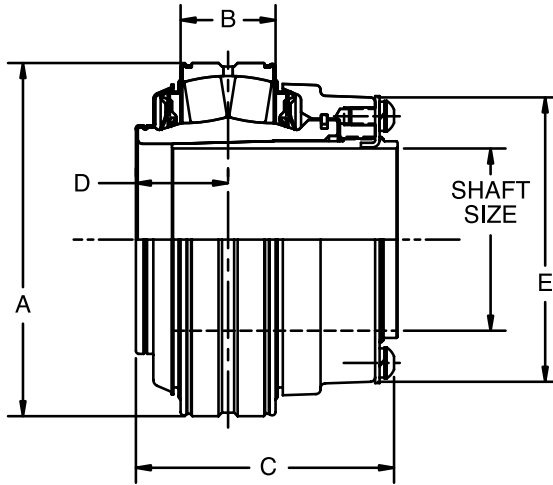
IMPERIAL FEATURES PAGE B10-3	IMPERIAL SPECIFICATION PAGE B10-6	IMPERIAL NOMENCLATURE PAGE B10-9	IMPERIAL SELECTION PAGE B10-12
---------------------------------	--------------------------------------	-------------------------------------	-----------------------------------

# DIMENSION

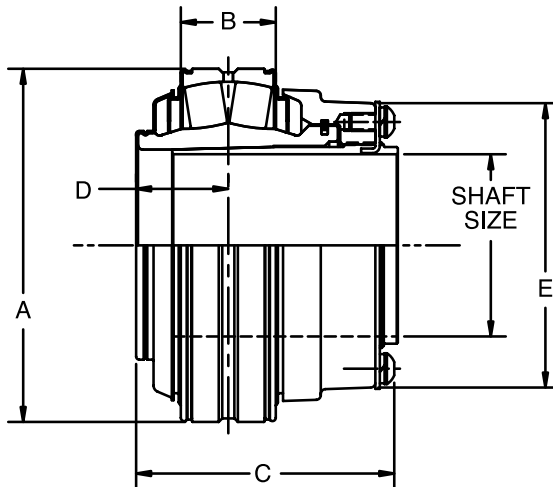


## IMPERIAL Bearing Insert - For Large Bore ISAF Housing 5-7/16 THRU 7 INCH

TRIDENT SEAL



LABYRINTH SEAL



<p>IMPERIAL FEATURES PAGE B10-3</p>	<p>IMPERIAL SPECIFICATION PAGE B10-6</p>	<p>IMPERIAL NOMENCLATURE PAGE B10-9</p>	<p>IMPERIAL SELECTION PAGE B10-12</p>
---	--	---	---



## IMPERIAL Bearing Insert - For Large Bore ISAF Housings 5-7/16 THRU 7 INCH

Bearing Series	Shaft Size	TRIDENT Seal		Labyrinth Seal	
		Part Number	Part Name	Part Number	Part Name
22228	5-7/16	<b>037925</b>	INS-IP-507R	<b>037933</b>	INS-IP-507L
	5-1/2	<b>037926</b>	INS-IP-508R	<b>037934</b>	INS-IP-508L
22232	5-15/16	<b>037927</b>	INS-IP-515R	<b>037935</b>	INS-IP-515L
	6	<b>037928</b>	INS-IP-600R	<b>037936</b>	INS-IP-600L
22236	6-7/16	<b>037929</b>	INS-IP-607R	<b>037937</b>	INS-IP-607L
	6-1/2	<b>037930</b>	INS-IP-608R	<b>037938</b>	INS-IP-608L
	6-15/16	<b>037931</b>	INS-IP-615R	<b>037939</b>	INS-IP-615L
	7	<b>037932</b>	INS-IP-700R	<b>037940</b>	INS-IP-700L

Metric shaft sizes available upon request

SHAFT SIZE	A	B	C	D	E
5-7/16 5-1/2	9.8425	2-3/4	6-11/64	2.337	8-3/4
5-15/16 6	11.4173	3-7/32	7-5/64	2.768	10-1/4
6-7/16 6-1/2 6-15/16 7	12.5984	3-15/32	7-25/64	2.862	11-13/32

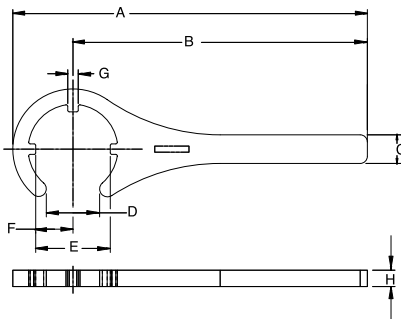
IMPERIAL FEATURES PAGE B10-3	IMPERIAL SPECIFICATION PAGE B10-6	IMPERIAL NOMENCLATURE PAGE B10-9	IMPERIAL SELECTION PAGE B10-12
---------------------------------	--------------------------------------	-------------------------------------	-----------------------------------

# DIMENSION

# DODGE®



## IMPERIAL SPANNER WRENCH



Shaft Size	Part Number	A	B	C	D	E	F	G	H
1-1/8 thru 1-1/2	<b>066629</b>	10.84	9.00	0.88	1.63	2.28	1.14	0.32	0.5
1-5/8 thru 1-3/4	<b>066630</b>	11.04	9.00	0.88	1.88	2.48	1.24	0.32	0.5
1-7/8 thru 2	<b>066631</b>	11.20	9.00	0.88	2.13	2.72	1.36	0.32	0.5
2-3/16 2-1/4	<b>066632</b>	12.38	10.00	0.88	2.38	2.98	1.49	0.44	0.5
2-3/8 thru 2-1/2	<b>066633</b>	12.63	10.00	1.31	2.63	3.40	1.70	0.44	0.5
2-11/16 thru 3	<b>066634</b>	16.90	14.00	1.31	3.13	3.80	1.90	0.44	0.5
3-3/16 thru 3-1/2	<b>066635</b>	17.39	14.00	1.31	3.63	4.36	2.18	0.44	0.5
3-11/16 thru 4	<b>066636</b>	17.75	14.00	1.75	4.13	4.91	2.46	0.44	0.5
4-7/16 4-1/2	<b>066637</b>	20.36	16.00	1.75	4.63	5.68	2.84	0.44	0.5
4-15/16 5	<b>066638</b>	25.17	20.00	2.00	5.13	6.88	3.44	0.44	0.5
5-7/16 5-1/2	<b>066642</b>	27.82	22.00	2.00	5.63	8.05	4.03	0.69	0.5
5-15/16 6	<b>066643</b>	28.75	22.00	2.00	6.13	9.13	4.57	0.75	0.5
6-7/16 thru 7	<b>066644</b>	31.54	24.00	2.00	7.13	10.08	5.04	0.75	0.5

IMPERIAL FEATURES  
PAGE B10-3

IMPERIAL SPECIFICATION  
PAGE B10-6

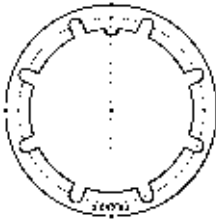
IMPERIAL NOMENCLATURE  
PAGE B10-9

IMPERIAL SELECTION  
PAGE B10-12

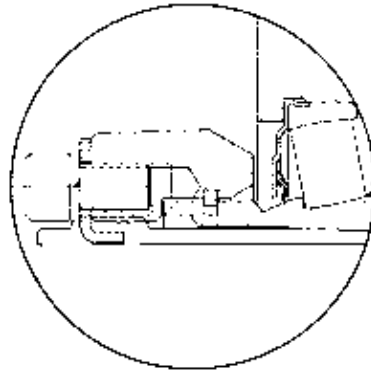
# DIMENSION



## IMPERIAL LOCKPLATE KIT



The Lockplate Kits consists of:  
 Lockplate  
 2 Socket Head Capscrews  
 2 Lockwashers



Shaft Size Inch	Part Number
1-7/16	<b>048925</b>
1-11/16	<b>048926</b>
1-15/16 2 SM	<b>048927</b>
2 LG 2-3/16	<b>048928</b>
2-3/8 2-7/16	<b>048929</b>
2-11/16 2-3/4 2-15/16	<b>048930</b>
3-7/16	<b>048931</b>
3-15/16	<b>048932</b>
4-7/16	<b>048933</b>
4-15/16	<b>048934</b>

IMPERIAL - ISAF

UNIFIED SAF

International Bearings

Sleeve Bearing

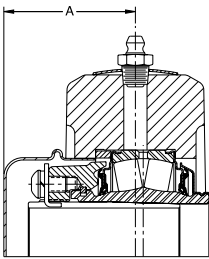
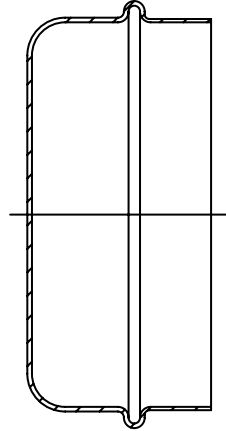
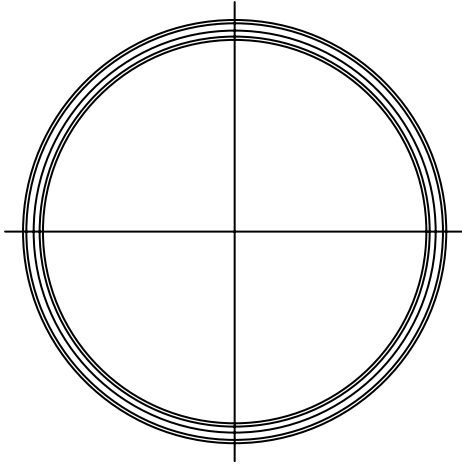
SLEEVOIL

IMPERIAL FEATURES PAGE B10-3	IMPERIAL SPECIFICATION PAGE B10-6	IMPERIAL NOMENCLATURE PAGE B10-9	IMPERIAL SELECTION PAGE B10-12
---------------------------------	--------------------------------------	-------------------------------------	-----------------------------------

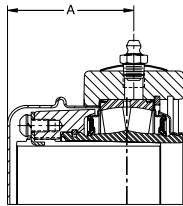
# DIMENSION



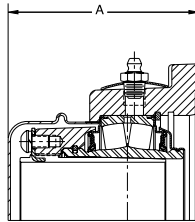
## IMPERIAL End Cap



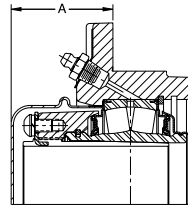
ISAF PILLOW BLOCK



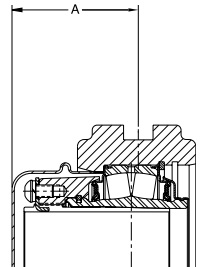
PILLOW BLOCK



FLANGE



PILOTED FLANGE



WS TAKE-UP

<p>IMPERIAL FEATURES PAGE B10-3</p>	<p>IMPERIAL SPECIFICATION PAGE B10-6</p>	<p>IMPERIAL NOMENCLATURE PAGE B10-9</p>	<p>IMPERIAL SELECTION PAGE B10-12</p>
---	--	---	---





## End Caps For IMPERIAL, IMPERIAL-E and ISAF

Shaft Size	Housing Design			
	IMPERIAL		* E-IMPERIAL	
	Part #	Description	Part #	Description
1-1/8 to 1-7/16	<b>069960</b>	IPEC08	<b>069960</b>	IPEC08
1-1/2	<b>069960</b>	IPEC08	<b>069961</b>	IPEC09
1-5/8 to 1-11/16	<b>069961</b>	IPEC09	<b>069961</b>	IPEC09
1-3/4	<b>069961</b>	IPEC09	<b>069962</b>	IPEC10
1-7/8 to 2	<b>069962</b>	IPEC10	<b>069962</b>	IPEC10
2-3/16	<b>069963</b>	IPEC11	<b>069963</b>	IPEC11
2-1/4	<b>069963</b>	IPEC11	<b>069964</b>	IPEC13
2-3/8 to 2-1/2	<b>069964</b>	IPEC13	<b>069964</b>	IPEC13
2 11/16 to 3	<b>069965</b>	IPEC15	<b>069965</b>	IPEC15
3-3/16 to 3-1/2	<b>069966</b>	IPEC18	<b>069966</b>	IPEC18
3-11/16 to 4	<b>069967</b>	S2IPEC20	<b>069967</b>	S2IPEC20
4-7/16 to 4-1/2	<b>069968</b>	S2IPEC22	<b>069968</b>	S2IPEC22
4-15/16 to 5	<b>069969</b>	S2IPEC26	<b>069969</b>	S2IPEC26

\* End Covers for IMPERIAL with Type E dimensioned housing

### “A” Dimension

SHAFT SIZE (IN)	IMPERIAL Pillow Block	*IMPERIAL-E Pillow Block	IMPERIAL Piloted Flange	*IMPERIAL-E Piloted Flange	IMPERIAL Flange	*IMPERIAL-E Flange	Wide Slot Take-up	ISAF
1-1/8 thru 1-1/2	1.97	1.83	1.61	1.61	3.06	3.39	2.00	1.98
*1-1/2 1- 5/8 1-11/16 1-3/4	2.16	2.20	1.77	1.77	3.27	4.01	2.13	2.14
*1-3/4 1-7/8 1-15/16 2	2.25	2.00	1.86	1.86	3.41	3.89	2.19	2.29
2-3/16 2-1/4	2.41	2.47	1.94	1.94	3.63	4.47	2.36	2.40
*2-1/4 2-3/8 2-7/16 2-1/2	2.44	2.44	2.09	2.09	3.95	4.63	2.44	2.65
2-11/16 thru 3	2.56	2.54	2.20	2.20	4.09	4.97	2.61	2.74
3-3/16 thru 3-1/2	2.94	2.91	2.78	2.78	4.73	5.65	2.94	3.18
3-11/16 thru 4	3.36	3.67	3.19	3.19	5.38	7.04	3.39	3.57
4-7/16 4-1/2	3.83	3.78	3.89	3.72	N/A	7.49	3.84	3.92
4-15/16 5	4.36	4.33	4.11	3.95	N/A	N/A	4.36	4.42

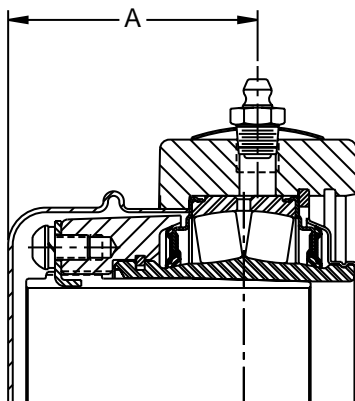
\* IMPERIAL With Type E Dimensioned Housing

IMPERIAL FEATURES PAGE B10-3	IMPERIAL SPECIFICATION PAGE B10-6	IMPERIAL NOMENCLATURE PAGE B10-9	IMPERIAL SELECTION PAGE B10-12
---------------------------------	--------------------------------------	-------------------------------------	-----------------------------------

# DIMENSION



## ISN End Cap



PILLOW BLOCK

SHAFT SIZE (mm)	End Cover P/N	Description	"A" Dimension
30	<b>069960</b>	IPEC08	49.5
35	<b>069960</b>	IPEC08	49.5
40	<b>069961</b>	IPEC09	55
45	<b>069962</b>	IPEC10	58.3
50	<b>069962</b>	IPEC10	58.3
55	<b>069963</b>	IPEC11	61.7
60	<b>069964</b>	IPEC13	66.3
65	<b>069965</b>	IPEC15	70
70	<b>069965</b>	IPEC15	70
75	<b>069965</b>	IPEC15	70
80	<b>069966</b>	S2IPEC18	78.3
85	<b>069966</b>	S2IPEC18	78.3
90	<b>069967</b>	S2IPEC20	91.2
100	<b>069967</b>	S2IPEC20	91.2
110	<b>069968</b>	S2IPEC22	97.7
115	<b>069969</b>	S2IPEC26	111.4
125	<b>069969</b>	S2IPEC26	111.4

IMPERIAL FEATURES PAGE B10-3	IMPERIAL SPECIFICATION PAGE B10-6	IMPERIAL NOMENCLATURE PAGE B10-9	IMPERIAL SELECTION PAGE B10-12
---------------------------------	--------------------------------------	-------------------------------------	-----------------------------------

# CONTENTS



## UNIFIED™ SAF

### Features / Benefits

DODGE UNIFIED SAF and SDAF Pillow Blocks .....	B11-3
DODGE UNIFIED SAF with SPLIT-SPHER Bearing .....	B11-5
SAF-XT Spherical Roller Bearings .....	B11-6
SAFS .....	B11-7

Specification .....	B11-8
---------------------	-------

How To Order .....	B11-9
--------------------	-------

Nomenclature .....	B11-10
--------------------	--------

Selection .....	B11-16
-----------------	--------

### Selection/Dimensions

USAF 500 .....	B11-30
USAF SMART .....	B11-58
SAF-XT and SAFS .....	B11-59
SPLIT-SPHER™ .....	B11-76
USDAF .....	B11-86
USAF 600 .....	B11-98
USAF 200 .....	B11-104
USAF 300 .....	B11-116
USAF Stabilizing Ring .....	B11-129
USAF Housing Features .....	B11-130
USAF Housing vs Seal Group Chart .....	B11-134

Part Number Index .....	INDEX-1
-------------------------	---------

Key Word Index .....	INDEX-34
----------------------	----------

IMPERIAL - ISAF

UNIFIED SAF

International Bearings

Sleeve Bearing

SLEEVOIL

# NOTES

---



IMPERIAL - ISAF

UNIFIED SAF

International Bearings

Sleeve Bearing

SLEEVOIL

# FEATURES/BENEFITS



## DODGE UNIFIED SAF and SDAF Pillow Blocks

### BEARINGS

**Spherical Roller Bearing** - 22200, 22300, 23000, 23100 and 23200, tapered bore for adapter mount and straight bore for direct mount.

### SPLIT-SPHER Bearing

Complete split replacement for an adapter mounted 22200. Compatible with UNIFIED SAF. Available in inch bores.

### SHAFT SIZES

Available for shaft sizes 1-7/16" - 15-3/4" and 40 mm-140 mm in adapter mount. Additional sizes offered in direct mount. Pillow blocks are available in 200, 300, 500 and 600 series.

### DIMENSIONS

UNIFIED SAF and SDAF pillow blocks match standard SAF and SDAF inch dimensions.

### PLUS YOU GET BUILT-IN DESIGN ADVANCEMENTS.

With DODGE UNIFIED SAF and SDAF pillow blocks, you benefit from a housing that has capabilities for harsh environments that competitive pillow blocks do not have.



### VIRTUALLY EVERY FEATURE YOU EVER WANTED IN YOUR PILLOW BLOCK

- Cast-in dimples locate drill holes for lube fittings, vents, sensors and mounting modifications.
- Housing base is threaded to accept four Grade 5 cap bolts for added strength. Cap bolts match base bolts for one-wrench installation.
- Standard housings have two oversized drains adaptable to circulating oil systems.
- Pry slots allow easy separation of the pillow block.

IMPERIAL - ISAF

UNIFIED SAF

International Bearings

Sleeve Bearing

SLEEVOIL

## FEATURES/BENEFITS

**DODGE**<sup>®</sup>



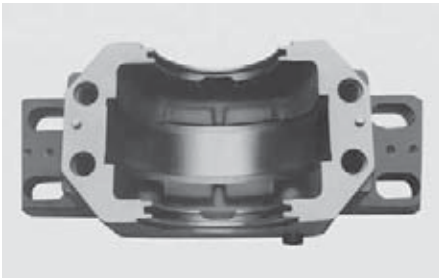
### DODGE UNIFIED SAF and SDAF Pillow Blocks



Cast iron, closed-end housings offer greater protection in high pressure washdown environments. Available from stock.



Solid cast iron feet increase strength in both two and four-bolt styles.



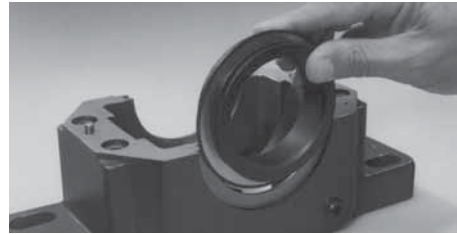
Large capacity oil sump lowers operating temperatures, undercut bearing seat allows full lateral travel of expansion bearing, prevents stabilizer ring from binding, makes installation easy.



Oil return slots are cast into the interior seal grooves to keep lubricants in. This allows oil in the seal grooves to return to the oil sump instead of leaking.



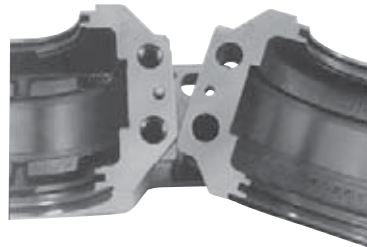
Standard modifications for wet and harsh environments include nylon coating, epoxy paints and nickel plating, as well as stainless steel hardware.



New drop-in TRIPLE-TECT Seal makes seal installation easier



Exclusive oil-equalization passage simplifies maintenance. Pillow block can be drained completely from either side.



Offset dowels with matched numbers on cap and base joint simplify correct assembly.

# FEATURES/BENEFITS



## DODGE UNIFIED SAF with SPLIT-SPHERE Bearing

### SPLIT-SPHER BEARINGS FROM DODGE INCREASE PRODUCTION AND REDUCE DOWNTIME

The SPLIT-SPHER bearing is quick to install. Simplified bearing installation puts equipment back into operation faster and keeps production moving.

#### HERE'S WHY!

DODGE offers a split-race spherical bearing that fits SAF housings and replaces bearing and adapter assemblies. It's a real cost-saver in every case where the shaft must be stripped of components to permit sliding the new bearing onto its proper shaft location.

#### DIMENSIONS ARE STANDARD.

The DODGE SPLIT-SPHER bearing has the same O.D. dimensions as a standard spherical bearing. This means you can use a SPLIT-SPHER pillow block on the inaccessible end of a shaft and a standard pillow block on the accessible end. DODGE offers the only split-race bearings made to standard SAF pillow block dimensions.

Also, if needed, the backing dimension of the SPLIT-SPHER block can be increased by shimming to meet the requirements of any roller bearing it replaces.

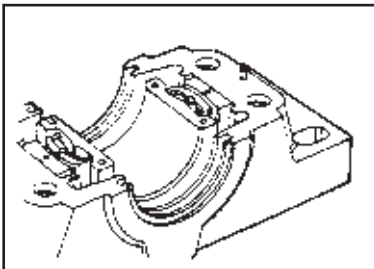
#### REDUCE REPLACEMENT TIME UP TO 50%.

To replace a standard spherical roller bearing with a SPLIT-SPHER insert, remove the cap, elevate the shaft enough to support the load and burn off the failed bearing and adapter with a torch.

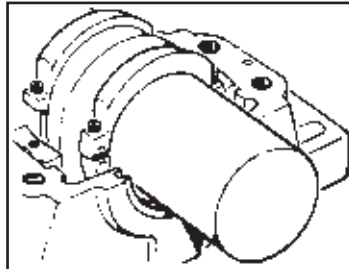
The DODGE SPLIT-SPHER replacement lower halves can then be slipped under the shaft, along with the split seals. Bolt the upper halves in place, lower the shaft and replace the cap. There's no need to remove any other shaft-mounted components or move motors and other bulky machinery.



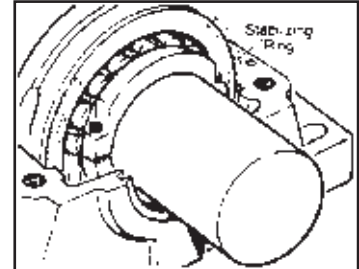
### The SPLIT-SPHERE insert is easy to install!



1. Slightly elevate shaft, cut off old bearing and slip lower halves of SPLIT-SPHERE rings and roller assembly beneath shaft



2. Bolt upper half of inner ring to lower half



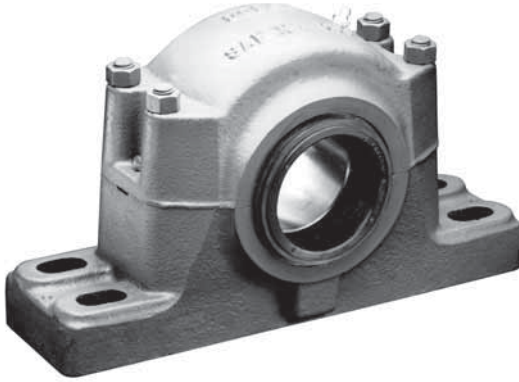
3. Place upper half of roller assembly in position and bolt on upper half of outer ring. Lower shaft and replace housing cap.

## FEATURES/BENEFITS

**DODGE®**

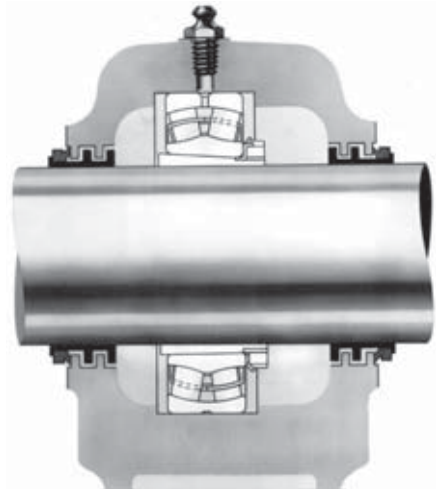


### SAF-XT Spherical Roller Bearings



The SAF-XT pillow block has only one grease fitting. Bearings with costly, comparably effective auxiliary seals have up to three grease fittings. The single fitting speeds up lubrication, reduces chance for voids. Complete fill, bearing action, and configuration of reservoir assure maximum purging effectiveness. Grease relief channels result in self-centering positive contact seal. These factors make SAF-XT blocks easy to lubricate.

The SAF-XT Pillow Block Housing is designed for typical SAF dimensional interchangeability, complete with such desirable features as 4-bolt caps, cap removal pry slots, elongated bolt holes, and dimpled feet for doweling. In addition to these features the SAF-XT housing also incorporates a better grease purging/sealing system for extra protection of the bearing in a hostile environment.





# FEATURES/BENEFITS



## SAFS



DODGE SAFS cast steel pillow blocks mount 22200K series spherical roller bearings on 2-7/16" - 8" shafts.

These pillow blocks are well suited for applications requiring either grease or oil lubrication where adapter mounting is preferred and limited thrust loads are experienced. Cast steel housings provide greater resistance to impact and shock loading than the more economical cast iron pillow blocks. (SPLIT-

SPHER bearing and seals may also be installed in SAFS housings. See page B11-76 through B11-85 .)

SAFS pillow blocks are furnished complete with the TRIPLE-TECT combination labyrinth and face rubbing seals. LER triple ring seals are available as an alternate seal for SAFS pillow blocks. Where required, purgeable auxiliary seals and end closures are also available.

IMPERIAL - ISAF

UNIFIED SAF

International Bearings

Sleeve Bearing

SLEEVOIL



# SPECIFICATION

IMPERIAL - ISAF

## Housing

Grade 30 cast iron is the standard housing material except on SAFS housings. When steel housings are required, the SAFS bearing line is recommended.

## SPECIAL DRILLING

The standard offering includes a W33 lube hole and fitting, along with a cap vent hole. UNIFIED Bearings also come standard with dual oversized drain holes in the base. Additional holes may be drilled to meet customer specifications for lube, vent and sensor locations. To order, specify holes required from chart on page B11-130 and add to the end of the description. Order by description instead of part number. Minimum order quantities will be required for this special drilling.

UNIFIED SAF

## SPECIAL FINISHES

A variety of finishes are available for extra corrosion resistance. The standard finish is a water based U.S.D.A. approved paint. When special finishes are specified, DODGE recommends the use of stainless steel cap bolts and grease fittings. To order, specify the "type of finish" required and "stainless bolts and fittings" at the end of the description. Order by description for special finishes.

## BEARINGS

Standard bearings offered are 22200 and 22300 series metal caged, double row, spherical bearings with C3 fits in both direct and adapter mounts (shaft sizes larger than 8" are standard with C0 fit). Other fit bearings are available as options, i.e. C0, C4 and C5. Other double row spherical bearing series are available on request including 23000 and 23200 in both direct and adapter mount. Self aligning ball bearing series 1200, 1300 and 2200 in both adapter and direct mount are available on request. To order, specify bearing "series" or "fit" at the end of the description.

For applications requiring modifications not listed, we encourage you to contact our Application Engineering Department for Bearings at 864-284-5700 or Fax 864-281-2317 during the hours of 8:00 a.m. and 5:00 p.m. Eastern time.

International Bearings

Sleeve Bearing

SLEEVOIL

FEATURES/BENEFITS PAGE B11-3	HOW TO ORDER PAGE B11-9	NOMENCLATURE PAGE B11-10	SELECTION/DIMENSIONS PAGE B11-30
---------------------------------	----------------------------	-----------------------------	-------------------------------------

# HOW TO ORDER



## Inch

DODGE UNIFIED Spherical Bearings are housed and sealed general purpose, high capacity double row spherical roller bearings. Bearings may be mounted on shafts with adapters, or they may be mounted directly, using interference fits.

The standard material used in housings is ASTM A48 Class 30 Cast iron. Steel versions are also available in the SAFS line on page B11-65. Housings may be modified to suit customer requirements for mounting, venting, lubricating or monitoring of the bearing. Housing designs are available for performance in extreme harsh environments through the use of cast closed ends, nylon coating and stainless steel hardware.

A wide variety of standard seals is available including labyrinth and rubbing seals and combinations of the two. DODGE TRIPLE-TECT\* and Drop-in TRIPLE-TECT\* seals are recommended for general purpose applications because of their superior combination sealing action. More information on seals is shown on page B11-23.

Locking devices, including tapered adapters and locking washers and nuts, are available to accommodate both commercial and precision machined shafting.

## How to Order Dodge UNIFIED Bearings

There are two ways to specify DODGE Bearings. Most of the product offerings have part numbers, with listings shown throughout this catalog. Use of part numbers insures accurate order processing.

When part numbers are not shown, the product may be specified by description. This method is used when ordering units that include modifications/options. To order by description, use the nomenclature key shown on page B11-10 and add any special instructions to the end of the description for options not covered by the nomenclature.

\* Patent numbers 4348067 and 5259628

FEATURES/BENEFITS PAGE B11-3	SPECIFICATION PAGE B11-8	NOMENCLATURE PAGE B11-10	SELECTION/DIMENSIONS PAGE B11-30
---------------------------------	-----------------------------	-----------------------------	-------------------------------------



# NOMENCLATURE



## Complete Pillow Block - Inch

**P2B - 515 - USAF - 207 - TT**

HOUSING STYLE	BEARING SERIES AND HOUSING SIZE	TYPE OF MOUNTED BEARING	SIZE INCHES	SEAL TYPE
P2B - 2 Bolt Base Pillow Block, Cast Iron, Both Ends Open	2XX - For Direct Mount 22200 Series Bearing	USAF - UNIFIED SAF Pillow Block (Inch Dimensions)	207 - Inches & 16ths 2 = 2" 07 = 7/16"	TT - TRIPLE-TECT LER - Metal Labyrinth SS - Split Non-Metallic Labyrinth
P4B - 4 Bolt Base Pillow Block, Cast Iron, Both Ends Open	3XX - For Direct Mount 22300 Series Bearing	USDAF - UNIFIED SDAF Pillow Block	107 = 1-7/16" 111 = 1-11/16" 115 = 1-15/16"	TTDN - Drop-In TRIPLE-TECT
CP2B - 2 Bolt Base Pillow Block, Cast Iron, One End Closed	5XX - For Adapter Mounted 22200K Series Bearing	SS - SPLIT-SPHER Pillow Block	203 = 2-3/16" 207 = 2-7/16" 208 = 2-1/2" 211 = 2-11/16" 212 = 2-3/4" 215 = 2-15/16" 300 = 3" 303 = 3-3/16" 307 = 3-7/16" 308 = 3-1/2" 315 = 3-15/16" 400 = 4" 403 = 4-3/16" 407 = 4-7/16" 408 = 4-1/2" 415 = 4-15/16" 500 = 5" 503 = 5-3/16" 507 = 5-7/16" 508 = 5-1/2" 515 = 5-15/16" 600 = 6" 607 = 6-7/16" 608 = 6-1/2" 615 = 6-15/16" 700 = 7" 703 = 7-3/16" 708 = 7-1/2" 715 = 7-15/16" 800 = 8" 807 = 8-7/16" 808 = 8-1/2" 815 = 8-15/16" 900 = 9" 907 = 9-7/16" 908 = 9-1/2" 915 = 9-15/16" 1000 = 10" 1007 = 10-7/16" 1008 = 10-1/2"	AUX - Auxiliary (Taconite) EC - End Closure
CP4B - 4 Bolt Base Pillow Block, Cast Iron, One End Closed	6XX - For Adapter Mounted 22300K Series Bearing			
	0XX - For Adapter Mounted 23000K Series Bearing			

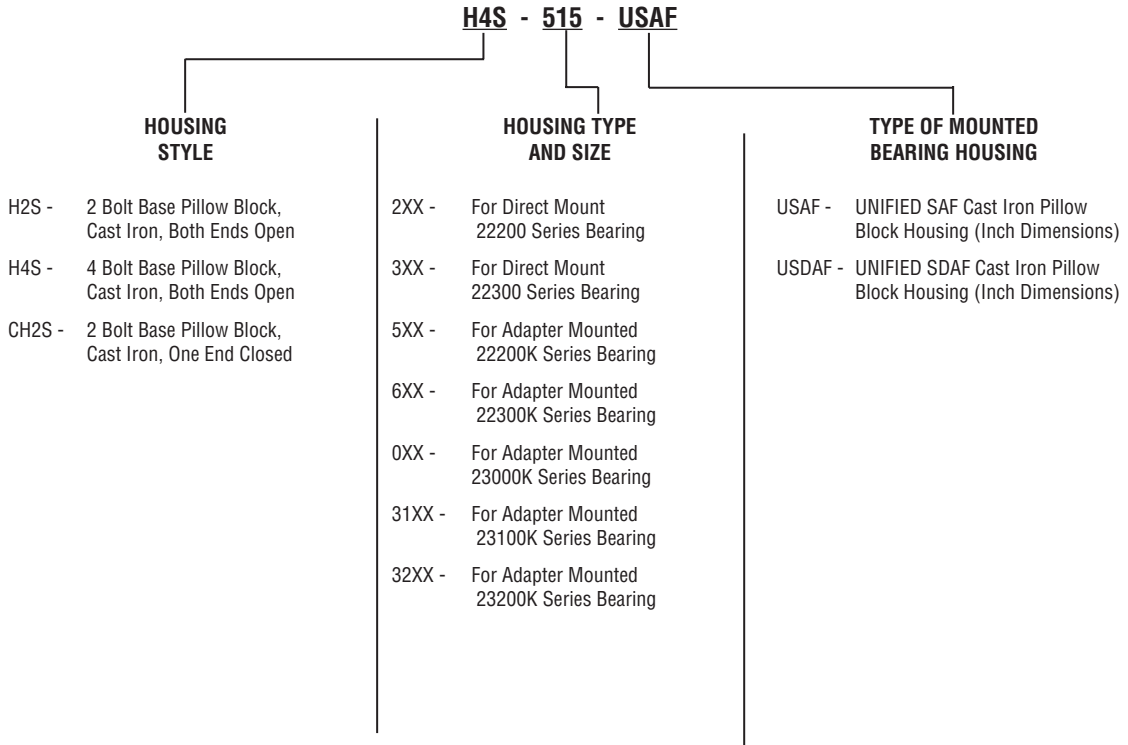
For monitor equipped pillow blocks a C preceding the pillow block designation indicates closed ends

FEATURES/BENEFITS PAGE B11-3	SPECIFICATION PAGE B11-8	HOW TO ORDER PAGE B11-9	SELECTION/DIMENSIONS PAGE B11-30
---------------------------------	-----------------------------	----------------------------	-------------------------------------

# NOMENCLATURE



## Housing Only (Housing and Stab Ring) Inch



IMPERIAL - ISAF

UNIFIED SAF

International Bearings

Sleeve Bearing

SLEEVOIL

FEATURES/BENEFITS PAGE B11-3	SPECIFICATION PAGE B11-8	HOW TO ORDER PAGE B11-9	SELECTION/DIMENSIONS PAGE B11-30
---------------------------------	-----------------------------	----------------------------	-------------------------------------



# NOMENCLATURE



## Housing Assembly (Housing and Stab Ring and Seals) - Inch

**FSAF - 518 X 3-15/16 TTDN CLSD**

	<b>HOUSING STYLE</b>	<b>HOUSING TYPE AND SIZE</b>	<b>SHAFT SIZE INCHES</b>	<b>SEAL TYPE</b>	<b>OTHER</b>
SAF -	2 Bolt pillow block housing (4 bolt when no 2 bolt offered)	2XX - For Direct Mount 22200 Series Bearing		TT - TRIPLE-TECT	Blank - Both Ends Open
FSAF -	4 bolt pillow block housing when 2 bolt offered	3XX - For Direct Mount 22300 Series Bearing		LER - Metal Labyrinth	
		5XX - For Adapter Mounted 2200K Series Bearing		TTDN - Drop-In TRIPLE-TECT	CLSD - Cast Closed One End
SDAF -	4 Bolt pillow block housing	6XX - For Adapter Mounted 22300K Series Bearing			
		0XX - For Adapter Mounted 23000K Series Bearing			
		31XX - For Adapter Mounted 23100K Series Bearing			
		32XX - For Adapter Mounted 23200K Series Bearing			

IMPERIAL - ISAF

UNIFIED SAF

International Bearings

Sleeve Bearing

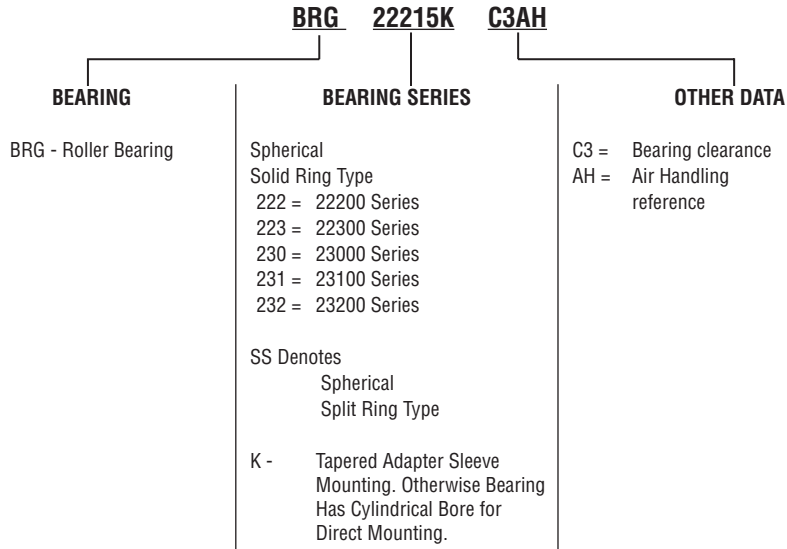
SLEEVOIL

FEATURES/BENEFITS PAGE B11-3	SPECIFICATION PAGE B11-8	HOW TO ORDER PAGE B11-9	SELECTION/DIMENSIONS PAGE B11-30
---------------------------------	-----------------------------	----------------------------	-------------------------------------

# NOMENCLATURE



## Bearing



IMPERIAL - ISAF

UNIFIED SAF

International Bearings

Sleeve Bearing

SLEEVOIL

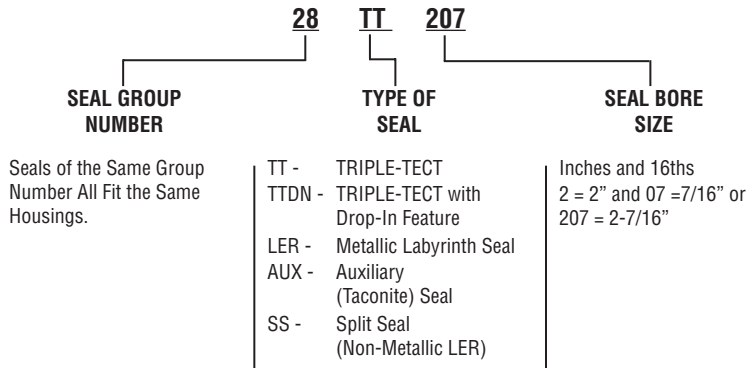
FEATURES/BENEFITS PAGE B11-3	SPECIFICATION PAGE B11-8	HOW TO ORDER PAGE B11-9	SELECTION/DIMENSIONS PAGE B11-30
---------------------------------	-----------------------------	----------------------------	-------------------------------------



# NOMENCLATURE



## Seals - Inch



Seal Group Number & Shaft Size	Fits Housing Sizes	Seal Group Number & Shaft Size	Fits Housing Sizes	Seal Group Number & Shaft Size	Fits Housing Sizes
08-107	308, 509 & 609	50-315	522 & 622	78-715	544
10-111	309, 510 & 610	50-400	522 & 622	78-800	544
12-114	310	52-403	222, 322, 524 & 624	80-805	244
12-115	308, 511 & 611	54-407	526 & 626	80-806	238 & 338
14-201	311	54-408	220, 320, 526 & 626	82-812	240
14-202	309	54-409	224 & 324	84-907	052
14-203	513 & 613	56-414	222 & 322	84-908	052
14-204	312	56-415	226, 326, 528 & 628	84-909	244
18-206	310	56-500	528 & 628	90-807	048
20-207	515 & 615	58-503	530 & 630	90-808	048
20-208	515 & 615	58-505	224, 324, 228 & 328	90-815	048
22-207	313	60-507	532 & 632	90-900	048
22-209	311	60-508	532 & 632	92-915	056
22-210	314	62-512	230 & 330	92-1000	056
24-211	516 & 616	62-514	226 & 236	94-1007	056L
24-212	516 & 616	64-515	534 & 634	94-1008	056L
24-213	215 & 315	64-600	534 & 634	96-1015	060, 3160, 3260
26-214	312	64-601	232 & 332	96-1100	060, 3160, 3260
28-215	517 & 617	66-604	228 & 328	98-1107	064
28-300	216, 316, 517 & 617	68-607	234, 334 & 536	98-1108	064
28-301	313	68-608	536	100-1115	064L, 3164, 3264
32-303	217 & 317	70-610	230 & 330	100-1200	064L, 3164, 3264
32-304	314	72-614	236	102-1207	068, 168, 268
34-303	518	72-615	538 & 638	104-1215	072
36-306	218	72-700	232, 332, 538 & 638	104-1300	072
38-307	215 & 315	74-703	540	106-1307	072L, 3172
38-310	216 & 316	74-704	238 & 338	106-1308	072L, 3172
42-315	217 & 317	76-707	234 & 334	108-1315	076, 3176
44-402	218	76-708	544S	108-1400	076, 3176
46-307	520 & 620	76-710	240	110-1500	80
46-308	520 & 620	78-713	236	112-1512	84
50-313	220 & 320				

Note: For bore size interchange see chart on page B11-13.

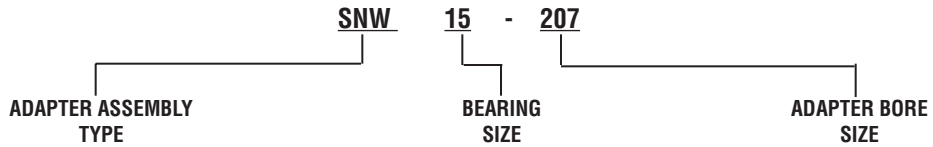
FEATURES/BENEFITS PAGE B11-3	SPECIFICATION PAGE B11-8	HOW TO ORDER PAGE B11-9	SELECTION/DIMENSIONS PAGE B11-30
---------------------------------	-----------------------------	----------------------------	-------------------------------------



# NOMENCLATURE



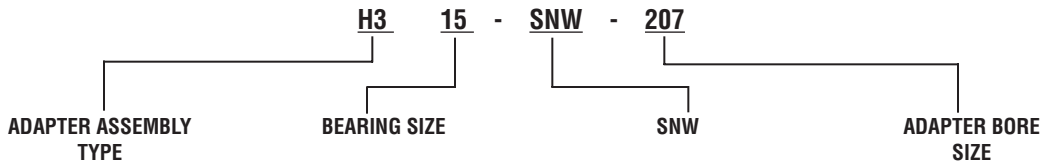
## Adapter Assemblies - Inch



SNW = Sleeve, Nut and Washer Assembly thru 44 (8 inch) Size  
 SNP = Sleeve, Nut and Lockplate Assembly 048 (8-7/16") and Larger Sizes

Up to 8" shaft size last two digits of bearing numerical description.  
 For larger sizes last four digits.

Inches and 16ths  
 2 = 2" and 07 = 7/16" or  
 207 = 2-7/16"  
 See size listing page B11-10



H3 Adapter Series for 22200K Series Bearings thru 4" Bore Size  
 H31 Adapter Series for 22200K & 23100K Series Bearings Greater Than 4"  
 H23 Adapter Series for 22300K Series Bearings  
 H32 Adapter Series for 23200K Series Bearings

Last two digits of bearing numerical description.

SNW = Sleeve, Nut and Washer Assembly thru 544 (8") Size  
 SNP = Sleeve Nut and Plate Assembly from 048 thru 084, 3156 thru 3176, & 3252 thru 3268

Inches and 16ths  
 2 = 2" and 07 = 7/16" or 207 = 2-7/16"  
 See size listing page B11-10

IMPERIAL - ISAF

UNIFIED SAF

International Bearings

Sleeve Bearing

SLEEVOIL

FEATURES/BENEFITS PAGE B11-3	SPECIFICATION PAGE B11-8	HOW TO ORDER PAGE B11-9	SELECTION/DIMENSIONS PAGE B11-30
---------------------------------	-----------------------------	----------------------------	-------------------------------------



# SELECTION



## UNIFIED Pillow Block - Spherical Roller Bearings

### (USAF 500, 600, 200, 300 SERIES AND USDAF 23000, 23100, 23200)

DODGE UNIFIED Spherical Roller Bearings have the capacity to carry heavy radial loads and combined radial and thrust loads. The maximum recommended load which can be applied is limited by various components in the system such as bearing, housing, shaft, shaft attachment, speed and life requirements as listed in this catalog. DODGE UNIFIED Spherical Roller Bearings have been applied successfully even when these limits have been exceeded under controlled operating conditions. Contact DODGE Application Engineering (864-284-5700) for applications which exceed the recommendations of this catalog.

**L<sub>10</sub> Hours Life** - The life which may be expected from at least 90% of a given group of bearings operating under identical conditions.

$$L_{10} \text{ Life, Hours} = \left(\frac{C}{P}\right)^{0.3} \times \left(\frac{16667}{\text{RPM}}\right)$$

Where: C = Dynamic Capacity (Table 1, page B11-19 for USAF) lbs.

P = Equivalent Radial Load, lbs.

### GENERAL

**Heavy Service** - For heavy shock loads, frequent shock loads, or severe vibrations, add up to 50% (according to severity of conditions) to the Equivalent Radial Load to obtain a Modified Equivalent Radial Load. Consult DODGE Application Engineering for additional selection assistance.

Thrust load values shown in the table below are recommended as a guide for general applications that will give adequate L<sub>10</sub> life. Where substantial radial loads are also present, it is advisable to calculate actual L<sub>10</sub> life to assure that it meets the requirements.

RPM	20-200	201-2000	Over 2000
RECOMMENDED THRUST LOAD	C/20	C/40	C/60

The shaft tolerances recommended below are adequate for adaptor mounted bearings. Since the allowable load, especially at a low speed, is very large, the shaft should be checked to assure adequate shaft strength.

The magnitude and direction of both the thrust and radial load must be taken into account when selecting a housing. **When pillow blocks are utilized, heavy loads should be directed through the base. Where uplift loads are involved, see B11-23 and for maximum values.** Where a load pulls the housing away from the mounting base, both the hold-down bolts and housing must be of adequate strength. Auxiliary load carrying devices such as shear bars are advisable for side or end loading of plummer blocks.

**NOTE:** Spherical bearings require a radial load at least equal to the thrust load for proper operation ( $F_a/F_r = 1$ ). If the thrust load exceeds this limit, consult Application Engineering.

### SHAFT TOLERANCES

SHAFT SIZE	SHAFT TOLERANCE, inches
Up To 1-1/2"	+ .000 - .002"
1-9/16 to 2-1/2"	+ .000 - .003"
2-5/8 to 4"	+ .000 - .004"
4-3/16 to 6"	+ .000 - .005"
6-7/16" and above	+ .000 - .006"

\* Use the smaller of this value or the adaptor maximum allowable thrust load list in Table 1.

FEATURES/BENEFITS PAGE B11-3	HOW TO ORDER PAGE B11-9	NOMENCLATURE PAGE B11-10	SELECTION/DIMENSIONS PAGE B11-30
---------------------------------	----------------------------	-----------------------------	-------------------------------------

# SELECTION



## UNIFIED Pillow Block - Spherical Roller Bearings

### SELECTING BEARING SUPPORTING RADIAL LOADS ONLY

1. Define  $L_{10}$  Life Hours desired.
2. Establish bearing radial load,  $F_R$   
 $F_R = P$  for Pure Radial Load Conditions  
 $P =$  Equivalent radial load, lbs  
 The DODGE program BEST™★ can be used to find application loads.
3. Establish RPM.

Using the easy selection Table 1, page B11-19, under the RPM column, find the equivalent radial load that equals or is higher than the application radial load for the desired life. The shaft size on the far left will be the minimum shaft size that you can use for your application. If the desired life is different than the values shown on the chart, use alternate Method A shown below.

- Example:
1.  $L_{10}$  Life = 30,000 Hours
  2. Radial load = 4000 lbs.
  3. RPM = 1,000

At the intersection of the 950 RPM column and the 30,000 hours  $L_{10}$  life row, the equivalent radial load of 4555 lbs. exceeds the 4000 lbs. application radial load for shaft size 1-11/16 adapter mount (223110K series bearing) and for shaft size 50 mm direct mount (22310 series bearing). Also, the equivalent radial load of 4070 lbs. exceeds the 4000 lbs. application radial load for shaft size 2-3/16" adapter mount (22213K series bearing) and for shaft size 65mm direct mount (22213 series bearing). Therefore, the follow bearings can be used to meet the application conditions of the above example:

- |                           |                |
|---------------------------|----------------|
| 1. 1-11/16" adapter mount | 22310K bearing |
| 2. 50 mm direct mount     | 22310 bearing  |
| OR                        |                |
| 3. 2-3/16" adapter mount  | 22213K bearing |
| 4. 65 mm direct mount     | 22213 bearing  |

### ALTERNATE METHOD A - SELECTING A BEARING FOR AN $L_{10}$ LIFE VALUE NOT SHOWN IN THE EASY SELECTION CHART.

The  $L_{10}$  life equation can be rearranged so that the bearing dynamic capacity  $C$  is identified in terms of  $L_{10}$ , RPM and  $P$

$$C = \left( \frac{L_{10} \times \text{RPM}}{16667} \right)^{0.3} \times P$$

( $P = F_R$  for Pure Radial Load Conditions)

Since the  $L_{10}$ , RPM and  $P$  are known, solve for  $C$ . Select from the dynamic capacity column on Table 1, page B11-19 the  $C$  value equal to or greater than the  $C$  value just calculated. The bore size on the far left represents the minimum shaft size selection. Check that the application RPM does not exceed the MAX. RPM on Table 1, page B11-19. Also check that the radial load does not exceed the Maximum Allowable Slip Fit Radial Load shown on Table 1. When selecting an  $L_{10}$  life of less than 30,000 hours, particular attention must be paid to shaft deflection and proper lubricant selection.

★ The DODGE Bearing Evaluation and Selection Technique (BEST) is a menu driven computer program that calculates bearing loads, fatigue life and operating temperature for a two bearing shaft system based on user supplied input parameters. This interactive program is available at [www.ptwizard.com](http://www.ptwizard.com) under the Product Section area.

FEATURES/BENEFITS PAGE B11-3	HOW TO ORDER PAGE B11-9	NOMENCLATURE PAGE B11-10	SELECTION/DIMENSIONS PAGE B11-30
---------------------------------	----------------------------	-----------------------------	-------------------------------------



# SELECTION

## UNIFIED Pillow Block - Spherical Roller Bearings

### SELECTING BEARINGS SUPPORTING COMBINATION RADIAL AND THRUST LOADS

When a bearing supports both a radial load and a thrust load, the loading on the two rows is shared unequally depending on the ratio of thrust to radial load. The use of the X (radial factor) and Y (thrust factor) from Table 1, page B11-19 converts the applied thrust load and radial loads to an equivalent radial load having the same effect on the life of the bearing as a radial load of this magnitude.

#### Equation 1

The equivalent radial load  $P = XF_R + YF_A$   
Where:

- P = Equivalent radial load, lbs.
- $F_R$  = Radial load, lbs.
- $F_A$  = Thrust (axial) load, lbs.
- e** = Thrust load to radial load factor (Table 1)★
- X = Radial load factor (Table 1)★
- Y = Thrust load factor (Table 1)★

Calculate  $F_A/F_R$  and compare to **e** for the selected bore size. Determine X and Y from Table 1 depending on

whether  $F_A/F_R$  is equal to or less than **e**, or  $F_A/F_R$  is greater than **e**. Substitute all known values into the equivalent radial load equation. P (equivalent radial load) can be used in the life formula to determine  $L_{10}$  life in hours, or it can be compared to the allowable equivalent radial load ratings for the speed and hours life desired in the easy selection.

### SELECTING BEARINGS SUPPORTING ONLY THRUST LOADS

Spherical Roller Bearings generally are not recommended for pure thrust load applications. They will perform satisfactorily under very light pure thrust loads. Consult DODGE Application Engineering (864-284-5700) or FAX (864-281-2317) during the hours of 8:00 a.m. and 5:00 p.m. Eastern Time.

### AXIAL EXPANSION CAPABILITY

Axial expansion capability for UNIFIED SAF 500, 600, 200 and 300 pillow blocks is shown on B11-29. DODGE supplies all UNIFIED pillow block housings with the appropriate stabilizing ring. When the stabilizing ring is used, the pillow block becomes a non-expansion pillow block. Not using the stabilizing ring allows shaft and bearing axial expansion. Proper mounting of the stabilizing ring is shown on housing dimension pages.

IMPERIAL - ISAF

UNIFIED SAF

International Bearings

Sleeve Bearing

SLEEVOIL

FEATURES/BENEFITS PAGE B11-3	HOW TO ORDER PAGE B11-9	NOMENCLATURE PAGE B11-10	SELECTION/DIMENSIONS PAGE B11-30
---------------------------------	----------------------------	-----------------------------	-------------------------------------

# SELECTION



## UNIFIED Pillow Block - Spherical Roller Bearings

Table 1: Radial & Thrust Factors For USAF Spherical Bearings

Shaft Size		Bearing Series	e	FA/FR ≤ e		FA/FR > e		Adapter Maximum Allowable Thrust Load Pound †	Dynamic Capacity (C) Pounds	Static Capacity (Co) Lbs.	Maximum RPM		
Adapter Mounted Inches	Direct Mount mm			X	Y	X	Y				Grease	Oil	
-	40	22308	.36	1	1.9	0.67	2.8	-	35,500	33,500	4300	5300	
1-7/16	---	<b>22209</b>	.26	1	2.6	0.67	3.9	698	24,500	23,600	5600	7000	
	45	22309	.36	1	1.9	0.67	2.8	1092	42,500	41,500	3800	4800	
1-11/16	---	<b>22210</b>	.24	1	2.8	0.67	4.2	775	26,000	26,500	5300	6700	
	50	22310	.36	1	1.9	0.67	2.8	1348	51,000	50,000	3400	4300	
1-15/16	---	<b>22211</b>	.23	1	2.9	0.67	4.4	927	31,500	32,500	4500	5600	
	55	22311	.36	1	1.9	0.67	2.8	1672	60,000	58,500	3200	4000	
	60	22312	.35	1	1.9	0.67	3	-	69,500	69,500	2800	3600	
2-3/16	---	<b>22213</b>	.24	1	2.8	0.67	4.2	1359	45,500	47,500	3800	4500	
	65	22313	.34	1	2	0.67	3	2104	78,000	81,500	2600	3400	
	70	22314	.34	1	2	0.67	3	-	86,500	86,500	2400	3200	
2-7/16	75	<b>22215</b>	.22	1	3.1	0.67	4.6	1568	48,000	53,000	3400	4300	
2-1/2		22315	.34	1	2	0.67	3	2782	100,000	102,000	2200	3000	
2-11/16	80	<b>22216</b>	.22	1	3.1	0.67	4.7	1780	56,000	60,000	3200	4000	
2-3/4		22316	.34	1	2	0.67	3	3128	112,000	114,000	2200	3000	
2-15/16	85	<b>22217</b>	.22	1	3.1	0.67	4.5	2063	68,000	73,500	3000	3800	
3		22317	.33	1	2	0.67	3	3438	122,000	125,000	2000	2800	
3-3/16	90	22218	.23	1	2.9	0.67	4.3	2429	78,000	85,000	2600	3400	
3-7/16	100	<b>22220</b>	.24	1	2.8	0.67	4.2	3102	96,500	106,000	2200	3000	
3-1/2		22320	.34	1	2	0.67	3	4920	183,000	208,000	1700	2200	
3-15/16	110	<b>22222</b>	.25	1	2.7	0.67	4	3931	122,000	134,000	2000	2800	
4		22322	.33	1	2.1	0.67	3.1	5934	212,000	240,000	1500	1900	
4-3/16	120	<b>22224</b>	.25	1	2.7	0.67	4	4693	143,000	166,000	1900	2400	
4-7/16		22324	.33	1	2.1	0.67	3.1	6959	240,000	265,000	1400	1800	
4-7/16	130	<b>22226</b>	.26	1	2.6	0.67	3.9	5610	170,000	200,000	1800	2200	
4-1/2		22326	.33	1	2.1	0.67	3.1	8152	280,000	310,000	1300	1700	
4-15/16	140	<b>22228</b>	.25	1	2.7	0.67	4	6419	196,000	236,000	1700	2200	
5		22328	.34	1	2	0.67	3	9628	325,000	365,000	1200	1600	
5-3/16	150	<b>22230</b>	.25	1	2.7	0.67	4	7383	228,000	275,000	1600	2000	
5-7/16		22330	.33	1	2	0.67	3	10923	365,000	415,000	1100	1500	
5-7/16	160	<b>22232</b>	.26	1	2.6	0.67	3.9	8630	260,000	315,000	1500	1800	
5-1/2		22332	.37	1	1.8	0.67	2.7	12298	325,000	365,000	1000	1400	
5-15/16	170	<b>22234</b>	.26	1	2.6	0.67	3.9	9858	300,000	355,000	1300	1700	
6		22334	.37	1	1.8	0.67	2.7	13755	360,000	475,000	950	1300	
6-7/16	180	<b>22236</b>	.25	1	2.7	0.67	4	10437	308,000	375,000	1300	1600	
6-1/2		22336	.37	1	1.8	0.67	2.7	15291	308,000	375,000	900	1100	
6-15/16	190	<b>22238</b>	.28	1	2.4	0.67	3.6	11786	270,000	415,000	1200	1300	
7		22338	.37	1	1.8	0.67	2.7	16910	415,000	570,000	850	1100	
7-3/16	200	22240	.29	1	2.3	0.67	3.5	13215	300,000	450,000	1100	1200	
7-1/2	220	<b>22244</b>		1									
7-15/16			.29	1	2.3	0.67	3.5	16020	365,000	550,000	950	1000	
8			1										
8-7/16	-	<b>23048</b>	.25	1	2.7	0.67	4.1	14887	260,000	490,000	950	1000	
8-1/2					1								
8-15/16, 9			1										
9-7/16	-	<b>23052</b>	.26	1	2.6	0.67	3.9	18232	340,000	630,000	900	950	
9-1/2					1								
9-15/16, 10	-	<b>23056</b>	.25	1	2.7	0.67	4.1	20000	345,000	670,000	850	900	
10-7/16					1								
10-1/2					1								

If the thrust load exceeds adapter maximum allowable thrust load, auxiliary methods of carrying thrust are required.

FEATURES/BENEFITS PAGE B11-3	HOW TO ORDER PAGE B11-9	NOMENCLATURE PAGE B11-10	SELECTION/DIMENSIONS PAGE B11-30
---------------------------------	----------------------------	-----------------------------	-------------------------------------



# SELECTION



## UNIFIED Pillow Block - Spherical Roller Bearings

Table 2: Selection Table for UNIFIED SAF Pillow Blocks

Adapter Mount (Inches)	Direct Mount (mm)	Bearing Series	L10 Life Hours	Allowable Equivalent Radial Load Rating (Lbs.) at Various Revolutions Per Minute																
				50	100	250	500	750	950	1,300	1,500	1,800	2,000	2,600	3,000	3,200	3,400	4500	5,600	
-	40	22308	10,000	12,797	10,394	7,896	6,413	5,679	5,290	4,815	4,613	4,367	4,231	3,911	3,747	3,675	3,609	3,318		
			30,000	9,204	7,476	5,679	4,613	4,084	3,805	3,463	3,318	3,141	3,043	2,813	2,695	2,643	2,595	2,386		
			60,000	7,476	6,072	4,613	3,747	3,318	3,090	2,813	2,695	2,551	2,472	2,285	2,189	2,147	2,108	1,938		
1 - 7/16	-	22209	10,000	8,831	7,173	5,449	4,426	3,919	3,651	3,323	3,183	3,014	2,920	2,699	2,586	2,536	2,490	2,290	2,144	
			30,000	6,352	5,159	3,919	3,183	2,819	2,626	2,390	2,290	2,168	2,100	1,941	1,860	1,824	1,791	1,647	1,542	
			60,000	5,159	4,191	3,183	2,586	2,290	2,133	1,941	1,860	1,761	1,706	1,577	1,511	1,482	1,455	1,338	1,253	
-	45	22309	10,000	15,320	12,444	9,453	7,678	6,799	6,333	5,765	5,522	5,228	5,066	4,682	4,485	4,399	4,320	3,972		
			30,000	11,018	8,950	6,799	5,522	4,890	4,555	4,146	3,972	3,760	3,643	3,368	3,226	3,164	3,107	2,857		
			60,000	8,950	7,269	5,522	4,485	3,972	3,700	3,368	3,226	3,054	2,959	2,735	2,620	2,570	2,524	2,320		
1-11/16	-	22210	10,000	9,372	7,613	5,783	4,697	4,159	3,874	3,527	3,378	3,199	3,099	2,864	2,744	2,691	2,643	2,430	2,275	
			30,000	6,741	5,475	4,159	3,378	2,991	2,787	2,536	2,430	2,300	2,229	2,060	1,974	1,936	1,901	1,748	1,637	
			60,000	5,475	4,447	3,378	2,744	2,430	2,263	2,060	1,974	1,869	1,810	1,673	1,603	1,572	1,544	1,419	1,329	
50	22310	10,000	18,384	14,932	11,343	9,214	8,158	7,600	6,917	6,627	6,274	6,079	5,619	5,383	5,279	5,184				
		30,000	13,222	10,740	8,158	6,627	5,868	5,466	4,975	4,766	4,512	4,372	4,041	3,871	3,797	3,729				
		60,000	10,740	8,723	6,627	5,383	4,766	4,440	4,041	3,871	3,665	3,551	3,282	3,144	3,084	3,029				
1-15/16	-	22211	10,000	11,355	9,223	7,006	5,691	5,039	4,694	4,273	4,093	3,875	3,755	3,470	3,325	3,261	3,202	2,944	2,757	
			30,000	8,167	6,633	5,039	4,093	3,624	3,376	3,073	2,944	2,787	2,700	2,496	2,391	2,345	2,303	2,117	1,983	
			60,000	6,633	5,388	4,093	3,325	2,944	2,742	2,496	2,391	2,264	2,193	2,027	1,942	1,905	1,871	1,720	1,611	
55	22311	10,000	21,628	17,567	13,345	10,840	9,598	8,941	8,138	7,796	7,381	7,152	6,610	6,332	6,211	6,099				
		30,000	15,555	12,635	9,598	7,796	6,903	6,431	5,853	5,607	5,309	5,144	4,754	4,554	4,467	4,387				
		60,000	12,635	10,263	7,796	6,332	5,607	5,223	4,754	4,554	4,312	4,178	3,862	3,699	3,628	3,563				
-	60	22312	10,000	25,052	20,349	15,458	12,556	11,118	10,357	9,427	9,031	8,550	8,284	7,657	7,335	7,194	7,065			
			30,000	18,018	14,635	11,118	9,031	7,996	7,449	6,780	6,495	6,149	5,958	5,507	5,276	5,174	5,081			
			60,000	14,635	11,888	9,031	7,335	6,495	6,050	5,507	5,276	4,995	4,839	4,473	4,285	4,203	4,127			
2 - 3/16	-	22213	10,000	16,401	13,322	10,120	8,220	7,279	6,780	6,171	5,912	5,597	5,423	5,013	4,802	4,710	4,625	4,252		
			30,000	11,796	9,581	7,279	5,912	5,235	4,877	4,439	4,252	4,026	3,901	3,605	3,454	3,388	3,327	3,058		
			60,000	9,581	7,783	5,912	4,802	4,252	3,961	3,605	3,454	3,270	3,168	2,928	2,805	2,752	2,702	2,484		
65	22313	10,000	28,116	22,838	17,349	14,092	12,478	11,623	10,580	10,135	9,596	9,297	8,593	8,232	8,074	7,929				
		30,000	20,222	16,425	12,478	10,135	8,974	8,360	7,609	7,289	6,901	6,687	6,180	5,921	5,807	5,703				
		60,000	16,425	13,342	10,135	8,232	7,289	6,790	6,180	5,921	5,606	5,431	5,020	4,809	4,717	4,632				
-	70	22314	10,000	31,180	25,326	19,239	15,627	13,837	12,890	11,732	11,239	10,641	10,310	9,530	9,129	8,954				
			30,000	22,426	18,215	13,837	11,239	9,952	9,271	8,438	8,084	7,653	7,415	6,854	6,566	6,440				
			60,000	18,215	14,795	11,239	9,129	8,084	7,530	6,854	6,566	6,217	6,023	5,567	5,333	5,231				
2-7/16 2-1/2	75	22215	10,000	17,302	14,054	10,676	8,672	7,679	7,153	6,511	6,237	5,905	5,721	5,288	5,066	4,969	4,879			
			30,000	12,444	10,108	7,679	6,237	5,523	5,145	4,683	4,486	4,247	4,115	3,803	3,644	3,574	3,509			
			60,000	10,108	8,210	6,237	5,066	4,486	4,179	3,803	3,644	3,450	3,342	3,089	2,959	2,903	2,850			
75	22315	10,000	36,047	29,279	22,242	18,066	15,997	14,902	13,564	12,994	12,302	11,919	11,017	10,554						
		30,000	25,926	21,058	15,997	12,994	11,505	10,718	9,755	9,345	8,848	8,573	7,924	7,591						
		60,000	21,058	17,105	12,994	10,554	9,345	8,706	7,924	7,591	7,187	6,963	6,436	6,166						
2- 11/16 2-3/4	80	22216	10,000	20,186	16,396	12,456	10,117	8,958	8,345	7,596	7,276	6,889	6,675	6,170	5,910	5,797	5,692			
			30,000	14,518	11,793	8,958	7,276	6,443	6,002	5,463	5,233	4,955	4,801	4,437	4,251	4,169	4,094			
			60,000	11,793	9,579	7,276	5,910	5,233	4,875	4,437	4,251	4,025	3,899	3,604	3,453	3,387	3,325			
80	22316	10,000	40,372	32,793	24,911	20,234	17,917	16,690	15,191	14,553	13,778	13,350	12,339	11,821						
		30,000	29,037	23,585	17,917	14,553	12,886	12,004	10,926	10,467	9,910	9,601	8,875	8,502						
		60,000	23,585	19,157	14,553	11,821	10,467	9,750	8,875	8,502	8,049	7,799	7,208	6,905						

Note: Dark Shaded Areas Require Circulating Oil

Light Shaded Areas Require Static Oil

FEATURES/BENEFITS PAGE B11-3	HOW TO ORDER PAGE B11-9	NOMENCLATURE PAGE B11-10	SELECTION/DIMENSIONS PAGE B11-30
---------------------------------	----------------------------	-----------------------------	-------------------------------------

# SELECTION



## UNIFIED Pillow Block - Spherical Roller Bearings

Table 2: Selection Table for UNIFIED SAF Pillow Blocks

Shaft Size		Bearing Series	L10 Life Hours	Allowable Equivalent Radial Load Rating (Lbs.) at Various Revolutions Per Minute																
Adapter Mount (Inches)	Direct Mount (mm)			50	100	250	500	750	950	1,300	1,500	1,800	2,000	2,600	3,000	3,200	3,400	4500	5,600	
2 -15/16 3	85	22217	10,000	24,512	19,910	15,125	12,285	10,878	10,133	9,223	8,836	8,365	8,105	7,492	7,177	7,039	6,912			
			30,000	17,629	14,320	10,878	8,836	7,824	7,288	6,634	6,355	6,017	5,829	5,388	5,162	5,063	4,971			
			60,000	14,320	11,631	8,836	7,177	6,355	5,920	5,388	5,162	4,887	4,735	4,377	4,193	4,112	4,038			
	85	22317	10,000	43,977	35,720	27,135	22,041	19,516	18,180	16,548	15,852	15,008	14,541	13,441						
			30,000	31,629	25,691	19,516	15,852	14,037	13,076	11,901	11,401	10,794	10,459	9,667						
			60,000	25,691	20,868	15,852	12,876	11,401	10,621	9,667	9,261	8,768	8,495	7,852						
3-3/16	90	22218	10,000	28,116	22,838	17,349	14,092	12,478	11,623	10,580	10,135	9,596	9,297	8,593	8,232	8,074	7,929			
			30,000	20,222	16,425	12,478	10,135	8,974	8,360	7,609	7,289	6,901	6,687	6,180	5,921	5,807	5,703			
			60,000	16,425	13,342	10,135	8,232	7,289	6,790	6,180	5,921	5,606	5,431	5,020	4,809	4,717	4,632			
3 -7/16 3-1/2	100	22220	10,000	34,785	28,254	21,464	17,434	15,437	14,380	13,089	12,539	11,871	11,502	10,631	10,185					
			30,000	25,018	20,321	15,437	12,539	11,103	10,343	9,414	9,018	8,538	8,273	7,646	7,325					
			60,000	20,321	16,506	12,539	10,185	9,018	8,401	7,646	7,325	6,935	6,719	6,211	5,950					
	100	22320	10,000	65,966	53,581	40,703	33,061	29,275	27,270	24,821	23,778	22,513	21,812							
			30,000	47,444	38,536	29,275	23,778	21,055	19,613	17,852	17,102	16,192	15,688							
			60,000	38,536	31,301	23,778	19,314	17,102	15,931	14,500	13,891	13,152	12,742							
3 -15/16 4	110	22222	10,000	43,977	35,720	27,135	22,041	19,516	18,180	16,548	15,852	15,008	14,541	13,441						
			30,000	31,629	25,691	19,516	15,852	14,037	13,076	11,901	11,401	10,794	10,459	9,667						
			60,000	25,691	20,868	15,852	12,876	11,401	10,621	9,667	9,261	8,768	8,495	7,852						
	110	22322	10,000	76,419	62,072	47,153	38,300	33,914	31,592	28,755	27,546	26,080								
			30,000	54,962	44,643	33,914	27,546	24,391	22,722	20,681	19,812	18,758								
			60,000	44,643	36,262	27,546	22,375	19,812	18,456	16,798	16,092	15,236								
4 -3/16	120	22224	10,000	51,547	41,869	31,806	25,835	22,876	21,310	19,396	18,581	17,592	17,045							
			30,000	37,074	30,113	22,876	18,581	16,453	15,326	13,950	13,364	12,652	12,259							
			60,000	30,113	24,460	18,581	15,092	13,364	12,449	11,331	10,855	10,277	9,957							
	120	22324	10,000	86,512	70,270	53,381	43,359	38,393	35,764	32,553	31,185	29,525								
			30,000	62,222	50,540	38,393	31,185	27,613	25,723	23,413	22,429	21,235								
			60,000	50,540	41,051	31,185	25,330	22,429	20,893	19,017	18,218	17,248								
4 -7/16 4-1/2	130	22226	10,000	61,279	49,774	37,812	30,712	27,195	25,333	23,058	22,089	20,913	20,263							
			30,000	44,074	35,799	27,195	22,089	19,559	18,220	16,584	15,887	15,041	14,573							
			60,000	35,799	29,078	22,089	17,942	15,887	14,799	13,470	12,904	12,217	11,837							
	130	22326	10,000	100,931	81,981	62,278	50,585	44,792	41,725	37,978	36,382									
			30,000	72,592	58,963	44,792	36,382	32,215	30,010	27,315	26,167									
			60,000	58,963	47,893	36,382	29,551	26,167	24,375	22,186	21,254									
4 -15/16 5	140	22228	10,000	70,652	57,387	43,594	35,410	31,354	29,208	26,585	25,467	24,112	23,362							
			30,000	50,814	41,274	31,354	25,467	22,551	21,007	19,120	18,317	17,342	16,802							
			60,000	41,274	33,525	25,467	20,686	18,317	17,063	15,530	14,878	14,086	13,648							
	140	22328	10,000	117,152	95,157	72,287	58,715	51,990	48,431	44,082	42,229									
			30,000	84,258	68,439	51,990	42,229	37,393	34,833	31,705	30,372									
			60,000	68,439	55,590	42,229	34,301	30,372	28,293	25,752	24,670									
5 -3/16	150	22230	10,000	82,187	66,756	50,712	41,191	36,473	33,976	30,925	29,625	28,049	27,176							
			30,000	59,111	48,013	36,473	29,625	26,232	24,436	22,242	21,307	20,173	19,545							
			60,000	48,013	38,998	29,625	24,063	21,307	19,849	18,066	17,307	16,386	15,876							
	150	22330	10,000	131,571	106,869	81,184	65,942	58,389	54,392	49,507										
			30,000	94,629	76,862	58,389	47,427	41,995	39,120	35,607										
			60,000	76,862	62,432	47,427	38,522	34,110	31,775	28,922										

Note: Dark Shaded Areas Require Circulating Oil  
Light Shaded Areas Require Static Oil

FEATURES/BENEFITS PAGE B11-3	HOW TO ORDER PAGE B11-9	NOMENCLATURE PAGE B11-10	SELECTION/DIMENSIONS PAGE B11-30
---------------------------------	----------------------------	-----------------------------	-------------------------------------



# SELECTION



## UNIFIED Pillow Block - Spherical Roller Bearings

Table 2: Selection Table for UNIFIED SAF Pillow Blocks

Shaft Size		Bearing Series	L10 Life Hours	Allowable Equivalent Radial Load Rating (Lbs.) at Various Revolutions Per Minute																	
Adapter Mount (Inches)	Direct Mount (mm)			50	100	250	500	750	950	1,300	1,500	1,800	2,000	2,600	3,000	3,200	3,400	4,500	5,600		
5- 7/16 5-1/2	160	22232	10,000	93,722	76,126	57,829	46,972	41,592	38,745	35,265	33,783	31,985									
			30,000	67,407	54,751	41,592	33,783	29,914	27,866	25,364	24,298	23,004									
			60,000	54,751	44,472	33,783	27,441	24,298	22,634	20,602	19,736	18,685									
	160	22332	10,000	117,152	95,157	72,287	58,715	51,990	48,431	44,082											
			30,000	84,258	68,439	51,990	42,229	37,393	34,833	31,705											
			60,000	68,439	55,590	42,229	34,301	30,372	28,293	25,752											
5- 15/16 6	170	22234	10,000	108,140	87,837	66,726	54,199	47,991	44,706	40,691	38,981										
			30,000	77,777	63,175	47,991	38,981	34,516	32,153	29,266	28,036										
			60,000	63,175	51,314	38,981	31,662	28,036	26,117	23,771	22,772										
	170	22334	10,000	129,768	105,405	80,071	65,038	57,589	53,647	48,829											
			30,000	93,332	75,809	57,589	46,777	41,420	38,584	35,119											
			60,000	75,809	61,576	46,777	37,995	33,643	31,340	28,525											
6- 7/16 6-1/2	180	22236	10,000	109,943	89,301	67,838	55,102	48,791	45,451	41,369	39,631										
			30,000	79,073	64,227	48,791	39,631	35,092	32,689	29,753	28,503										
			60,000	64,227	52,169	39,631	32,190	28,503	26,552	24,167	23,152										
6- 15/16 7	190	22238	10,000	97,326	79,053	60,054	48,779	43,192	40,235	36,622											
			30,000	69,999	56,857	43,192	35,083	31,065	28,938	26,339											
			60,000	56,857	46,182	35,083	28,496	25,232	23,505	21,394											
	190	22338	10,000	149,594	121,508	92,305	74,975	66,388	61,843												
			30,000	107,591	87,391	66,388	53,923	47,747	44,479												
			60,000	87,391	70,984	53,923	43,799	38,783	36,128												
7-3/16	200	22240	10,000	108,140	87,837	66,726	54,199	47,991	44,706												
			30,000	77,777	63,175	47,991	38,981	34,516	32,153												
			60,000	63,175	51,314	38,981	31,662	28,036	26,117												
7- 1/2 7- 15/16 8	220	22244	10,000	131,571	106,869	81,184	65,942	58,389	54,392												
			30,000	94,629	76,862	58,389	47,427	41,995	39,120												
			60,000	76,862	62,432	47,427	38,522	34,110	31,775												
8- 7/16 8- 1/2 8-15/16 9	23048	10,000	93,722	76,126	57,829	46,972	41,592	38,745													
		30,000	67,407	54,751	41,592	33,783	29,914	27,866													
		60,000	54,751	44,472	33,783	27,441	24,298	22,634													
9- 7/16 9-1/2	23052	10,000	122,559	99,549	75,623	61,425	54,390	50,666													
		30,000	88,147	71,598	54,390	44,178	39,118	36,440													
		60,000	71,598	58,155	44,178	35,884	31,774	29,599													
9- 15/16 10 10- 7/16 10-1/2	23056	10,000	124,361	101,013	76,735	62,328	55,190														
		30,000	89,444	72,651	55,190	44,828	39,694														
		60,000	72,651	59,011	44,828	36,412	32,241														

Note: Dark Shaded Areas Require Circulating Oil  
Light Shaded Areas Require Static Oil

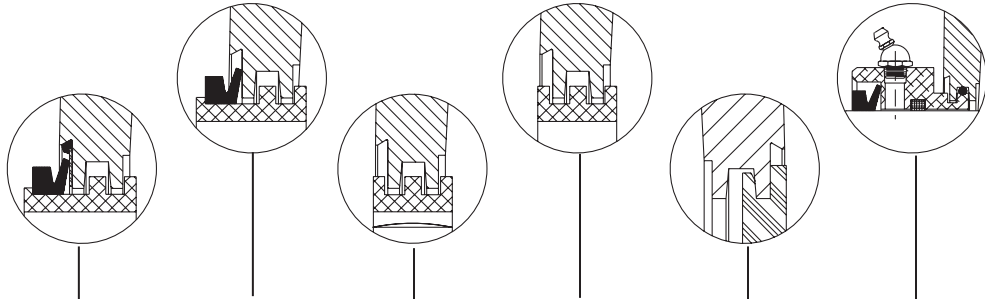
FEATURES/BENEFITS PAGE B11-3	HOW TO ORDER PAGE B11-9	NOMENCLATURE PAGE B11-10	SELECTION/DIMENSIONS PAGE B11-30
---------------------------------	----------------------------	-----------------------------	-------------------------------------



# SELECTION



## UNIFIED SAF Bearing Seals



ENVIRONMENT/ APPLICATION	DROP IN TRIPLE-TECT SEAL	TRIPLE-TECT LABYRINTH & FACE RUBBING SEAL	SPLIT LER LABYRINTH SEAL	LER LABYRINTH SEAL	END COVER	AUXILIARY TACONITE SEAL
	USAF/USN SAF-XT	USAF/USN SAF-XT	USAF/USN SAF-XT	USAF/USN SAF-XT	USAF/USN SAF-XT	USAF/USN SAF-XT
Dusty/Dirty	+	+	▲	▲	++	+
Wet/Moisture Laden	+	+	○	○	++	+
High Pressure Power Washdown	▲	▲	○	○	++	+
☆ High Tempera- ture	○	○	○	+	▲	○
• High Speed	+	+	+	++	NS	○
Chemical	▲	▲	○	○	▲	▲
Misalignment	+	+	+	+	NS	▲

- ++ Very Good
- + Good
- ▲ Questionable (Depends On Condition: Consult DODGE Engineering)
- Not Recommended
- NS Not Seal Limited

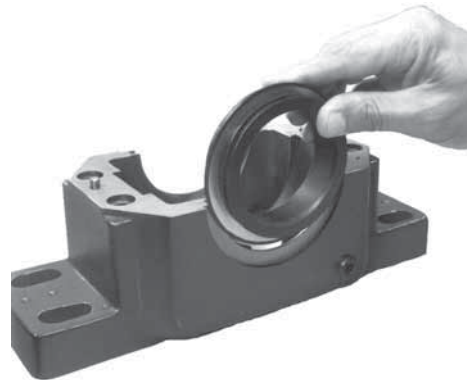
- Notes:
- ☆ High Temperature is above 200°F
  - Consideration Of High Speed Can Be A Function Of Type And Bearing Design

### DROP-IN TRIPLE TECT SEAL

The patented Drop-In TRIPLE-TECT Seal has all the sealing features of the standard TRIPLE-TECT except it is pre-assembled at the factory for quick and easy field assembly. The Drop-In TRIPLE-TECT Seal assembly consists of a seal ring, v-ring seal and stainless metal seal with rubber bead.

While lowering the shaft bearing and seal assembly into the housing base, the stainless metal seal with rubber bead fits in the outboard "v-shaped" housing groove.

The stainless metal seal gives superior sealing surface to the v-ring and positions the v-ring for easy cap to base housing assembly. (See Figure A).



FEATURES/BENEFITS PAGE B11-3	HOW TO ORDER PAGE B11-9	NOMENCLATURE PAGE B11-10	SELECTION/DIMENSIONS PAGE B11-30
---------------------------------	----------------------------	-----------------------------	-------------------------------------



# SELECTION

## UNIFIED SAF Bearing Lubrication

### SELECTING LUBRICATION

DODGE UNIFIED pillow blocks are lubricated by the user at installation. DODGE UNIFIED bearings are specially designed to handle either grease or oil lubrication.

### GREASE LUBRICATION:

DODGE UNIFIED bearings are designed to meet the rigorous demands of dirty, dusty or wet environments. In order to properly protect bearings during installation, pack the bearing insert 100% full of grease immediately after properly mounting the bearing on the shaft. If the RPM of the application falls between 20% and 80% of maximum RPM (Table 1, page B11-19), pack the lower half of the housing one-third to one-half full. If the RPM of the application is less than 20% of maximum RPM, pack bearing housing cavity 100% full. If the RPM exceeds 80% of maximum RPM, do not add grease in the lower half of the housing or in the cap.

At each re-greasing cycle, for applications up to 80% of maximum RPM, slowly add grease until fresh grease is seen purging at the seals. Re-greasing should be done while running. Remote re-greasing lines should be added to avoid endangering personnel. If the RPM is greater than 80% of maximum RPM, add 4 strokes of a handgun at each re-greasing cycle for bores up to

2. For bores greater than 2 up to 5, add 8 strokes of a handgun at each re-greasing cycle. For bores greater than 5 up to 10-1/2, add 16 strokes of a handgun at each re-greasing cycle. For bores greater than 10-1/2, and up to 12-1/2 add 32 strokes of a handgun at each re-greasing cycle. For bores greater than 12-1/2 up to 15-3/4 add 64 strokes of a handgun at each regreasing cycle. For units running above 80% of maximum RPM, running temperature should be monitored. If a drastic change in running temperature is noted, DODGE recommends removing the used grease completely and recharging with fresh grease per the above instructions. For warning before catastrophic failure, see DODGE Smart Bearing Package on page B11-58

Select a grease with a viscosity at an operating temperature which will provide full film lubrication (see Table 3 below). Use a 50°F to 100°F increase in bearing temperature above ambient, depending on RPM and load. Use Table 4, page B11-25 as a general guide for re-greasing the bearings. A small amount of grease at frequent intervals is preferable to a large amount of grease at infrequent intervals. For special applications involving high speeds, high loads, or very low speeds, consult DODGE Application Engineering (864-284-5700 or FAX 864-281-2317) during the hours of 8:00 a.m. and 5:00 p.m. Eastern Time.

**Table 3: Viscosity Of Oil, Or Oil In Grease**

DN Δ	Viscosity for Loads Up To 18% of Dyn. Cap.* (SUS @ Oper. Temp.)	CST	DN Δ	Viscosity for Loads Up To 18% of Dyn. Cap.* (SUS. @ Oper. Temp.)	CST
100	3500	700	1400	625	140
200	3150	680	1600	525	120
300	2750	590	1800	450	95
400	2375	500	2000	400	85
500	2000	460	3000	300	63
600	1750	360	4000	200	43
700	1500	320	5000	150	32
800	1300	280	6000	130	28
900	1075	220	7000	110	22
1000	900	140	8000	100	20

Δ DN = Bore Diameter (ins) x RPM

\* For loads above 18% of dynamic capacity, an EP grease with viscosity selected from above is recommended

FEATURES/BENEFITS PAGE B11-3	HOW TO ORDER PAGE B11-9	NOMENCLATURE PAGE B11-10	SELECTION/DIMENSIONS PAGE B11-30
---------------------------------	----------------------------	-----------------------------	-------------------------------------

# SELECTION



## UNIFIED SAF Bearing Lubrication

### OIL LUBRICATION

DODGE UNIFIED bearings are designed to accept oil lubrication. Oil lubrication is normally required at high speeds as well as high loads, or whenever heat from an external source is flowing into the bearing. Oil lubrication may be static or circulating. With static oil, fill the bearing cavity with oil up to the center line of the lowest roller. This height is identified as W and is shown on pages B11-40, B11-43, B11-108 and B11-120. Mount an oil sight gauge in the drilled and tapped hole on the side of the pillow block for visual indication of this level. The oil level may drop or rise during operation

depending on the direction of rotation of the bearing. Both the static oil level and the running oil level should be marked on the oil sight gauge and properly identified. Oil should be replaced at least semiannually. For circulating oil, the oil flow rate and size of factory drilled and tapped return drains are shown in Table 5, up to 8 bore. The viscosity of the oil should be selected based on the guidelines shown on Table 3, page B11-24. If the RPM of the application is within the specifications of this catalog, and if the temperature of the bearings is 80°F to 100°F or greater above ambient, a lighter viscosity oil may be required.

**Table 4: Re-Greasing Intervals, Months\*, Based On 12 Hours Per Day, 150-F Max.**

Shaft Size		RPM								
Adapter Mtg. (in.)	Direct Mtg. (mm)	250	500	750	1000	1250	1500	2000	2500	3000
1-7/16 - 1-15/16	40-55	8	6	4	3	2	1	.50	.50	.25
2-3/16	60-65	7	5	3	2	1	1	.50	.25	.25
2-7/16 - 3	70-85	6	4	3	2	1	.50	.25	.25	
3-3/16 - 3-1/2	90-100	5	3	2	1	.50	.50	.25		
3-15/16 - 4-1/2	110-130	4	3	2	1	.50	.25			
4-15/16 - 5-1/2	140-160	3	2	1	.50	.25				
5-15/16 - 7-3/16	170-200	2	1	1	.50					
7-1/2 - 9-1/2	220	1	1	.50						
9-15/16 - 10-1/2	-	1	.50							
10-15/16 - 12-1/2	-	1	.50							
12-15/16 - 15-3/4	-	.50	.25							

\* For continuous operations, 24 hours per day, decrease greasing interval by 50%

FEATURES/BENEFITS PAGE B11-3	HOW TO ORDER PAGE B11-9	NOMENCLATURE PAGE B11-10	SELECTION/DIMENSIONS PAGE B11-30
---------------------------------	----------------------------	-----------------------------	-------------------------------------



# SELECTION



## UNIFIED SAF Circulating Oil

**Table 5: Circulating Oil Flow Rates, Drain hole Sizes, Thermocouple Location And Vibration Sensor Location**

Shaft Size				USAF Housing Designation				Circulating Oil Flow*		Static Oil Level Inches W**		Drain Hole, Dry Sump ***			Thermocouple Hole		Vibration ▲ Sensor Hole	
500 Adptr Mntg. Inches	200 Drct. Mntg. mm	600 Adptr. Mntg. Inches	300 Drct. Mntg. mm					Amount Sufficient for Normal Lubrication Gal./Min	Maximum Amount for Heat Dissipation Due to External Heat Source Gal./Min	500 & 200 Series	600 & 300 Series	Location Inches			Location Inches	Wall Thck. Inches	Location Inches	Wall Thck. Inches
								X	Y	Size	A	B	C	E				
1-7/16	-	-	-	509 - - -	.0025	.070	59/64	-	1-3/32	5/8	1-8/27	1/4	3/8	19/16	1-5/16			
1-11/16	-	-	40	510 - - 308	.0030	.090	1-5/64	1-3/16	1-1/4	1-3/16	1-8/27	17/64	19/64	1-9/64	31/32			
1-15/16	-	1-7/16	45	511 - 609 309	.0040	.100	1-5/32	1-9/32	1-5/16	53/64	1-8/27	9/32	17/32	1-57/64	1-1/8			
-	-	1-11/16	50	- - 610 310	.0045	.120	-	1-3/8										
2-3/16	-	1-15/16	55	513 - 611 311	.0050	.150	1-7/64	1-7/16	1-21/32	25/32	1-8/27	11/32	37/64	2-1/64	1-1/8			
2-7/16	75	-	60	515 215 - 312	.0060	.175	1-5/32	1-5/16	1-25/32	7/8	1-4/18	23/64	5/8	2-1/4	1-3/16			
2-11/16	80	2-3/16	65	516 216 613 313	.0065	.195	1-1/4	1-13/32	1-31/32	61/64	1-4/18	5/16	1/2	2-9/32	1-33/64			
2-15/16	85	-	70	517 217 - 314	.0075	.200	1-3/8	1-15/32	2-1/8	1-1/16	3-8/18	13/32	43/64	2-1/2	1-7/16			
3-3/16	90	2-7/16	75	518 218 615 315	.0080	.250	1-15/32	1-19/32	2-1/4	1-1/8	3-8/18	7/16	39/64	2-23/32	1-29/64			
-	-	2-11/16	80	- - 616 316	.0100	.260	1-11/16	1-11/16	2-3/8	1-11/64	3-8/18	17/32	21/32	2-47/64	1-15/32			
3-7/16	100	2-15/16	85	520 220 617 317	.0110	.350	1-41/64	1-3/4	2-5/8	1-1/4	3-8/18	17/32	45/64	3-5/64	1-43/64			
3-1/2		3																

\* Based on oil temperature of 130°F - 150°F & oil level at center line of lowest roller. For maximum oil flow values, both drains should be used.

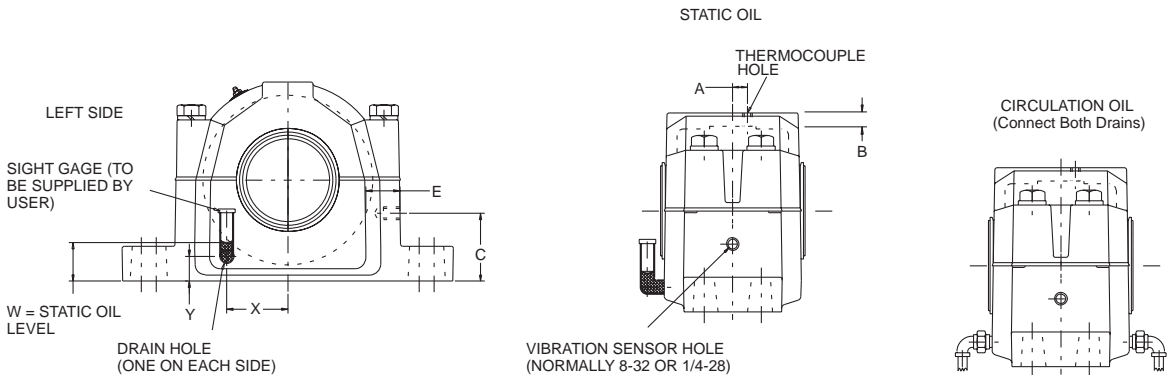
Mount block with drain holes on right side of block center line when rotation is CCW, unless cast closed end.

Mount block with drain holes on left side of block center line when rotation is CW.

\*\* Static oil level is measured from bottom of block base to meniscus on oil sight gauge. (Non-rotating mode)

\*\*\* For wet sump, consult DODGE Application Engineering.

▲ For vibration sensors supplied by the user.



FEATURES/BENEFITS PAGE B11-3	HOW TO ORDER PAGE B11-9	NOMENCLATURE PAGE B11-10	SELECTION/DIMENSIONS PAGE B11-30
---------------------------------	----------------------------	-----------------------------	-------------------------------------

# SELECTION



## UNIFIED SAF Circulating Oil

Table 5 (continued): Circulating Oil Flow Rates, Drain hole Sizes, Thermocouple Location And Vibration Sensor Location

Shaft Size				USAF Housing Designation				Circulating Oil Flow*		Static Oil Level Inches W**		Drain Hole, Dry Sump***			Thermocouple Hole		Vibration ▲ Sensor Hole	
500 Adptr Mntg. Inches	200 Drct. Mntg. mm	600 Adptr. Mntg. Inches	300 Drct. Mntg. mm					Amount Sufficient for Normal Lubrication Gal./Min	Maximum Amount for Heat Dissipation Due to External Heat Source Gal./Min	500 & 200 Series	600 & 300 Series	Location Inches			Location Inches	Wall Thck. Inches	Location Inches	Wall Thck. Inches
												X	Y	Size				
3-15/16 4	110	-	-	522 222 - -	0.015	0.42	1-59/64		2-7/8	1-11/32	3/8-18	17/32	17/32	3-23/64	1-23/32			
4-3/16	120	3-7/16 3-1/2	100	524 224 620 320	0.0175	0.48	1-27/32	2-1/32	2-3/16	1-3/8	1/2-14	11/16	49/64	3-3/8	1-55/64			
4-7/16 4-1/2	130	3-15/16 4	110	526 226 622 322	0.019	0.55	2-11/32	2-13/32	2-5/16	1-5/8	1/2-14	3/4	1	4-1/32	2-5/32			
4-15/16 5	140	-	-	528 228 - -	0.023	0.6	2-1/32	-	3-5/8	1-15/32	1/2-14	3/4	57/64	4-1/32	2-5/32			
5-3/16	150	4-3/16	120	530 230 624 324	0.025	0.75	2-1/32	2-3/8	3-19/32	1-23/64	1/2-14	13/16	7/8	4-11/32	2-1/4			
5-7/16 5-1/2	160	4-7/16 4-1/2	130	532 232 626 326	0.03	0.8	2-3/32	2-7/16	4-1/32	1-21/64	1/2-14	29/32	59/64	4-33/64	2-7/32			
5-15/16 6	170	4-15/16 5	140	534 234 628 328	0.035	0.85	2-3/16	2-9/16	4-5/32	1-21/64	1/2-14	1	1-25/64	4-31/32	2-45/64			
6-7/16 6-1/2	180	5-3/16	150	536 236 630 330	0.037	0.875	2-27/64	2-5/8	4-7/32	1-5/8	1/2-14	1	1-21/64	5-1/4	2-3/4			
6-15/16 7	190	5-7/16 5-1/2	160	538 238 632 332	0.039	1	2-17/32	2-11/16	4-3/4	1-39/64	1/2-14	1-1/8	1-1/4	5-1/2	2-3/4			
7-3/16	200	5-15/16 6	170	540 240 634 334	0.042	1	2-15/32	2-3/4	4-29/32	1-17/32	1/2-14	1-1/8	1-1/8	5-13/16	2-27/32			
7-1/2	220	6-15/16 7	190	544S 244 638 338	0.05	1.4	3-1/4	2-3/8	5-7/16	2-1/32	1/2-14	1-3/16	1-1/2	6-5/8	2-23/64			
7-15/16 8		-		544														

\* Based on oil temperature of 1305F - 1505F & oil level at center line of lowest roller. For maximum oil flow values, both drains should be used.

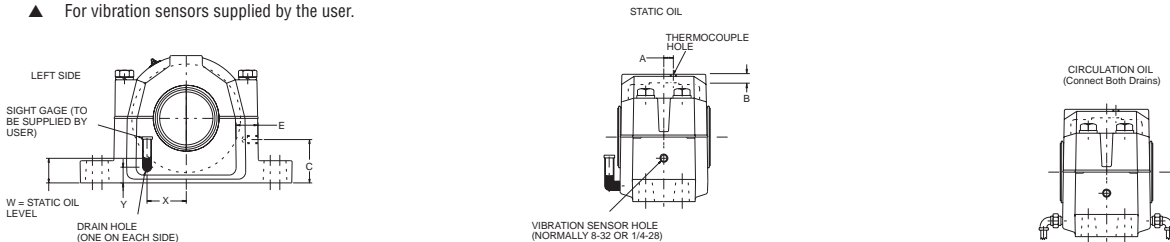
Mount block with drain holes on right side of block center line when rotation is CCW, unless cast closed end.

Mount block with drain holes on left side of block center line when rotation is CW.

\*\* Static oil level is measured from bottom of block base to meniscus on oil sight gauge. (Non-rotating mode)

\*\*\* For wet sump, consult DODGE Application Engineering.

▲ For vibration sensors supplied by the user.



FEATURES/BENEFITS PAGE B11-3	HOW TO ORDER PAGE B11-9	NOMENCLATURE PAGE B11-10	SELECTION/DIMENSIONS PAGE B11-30
---------------------------------	----------------------------	-----------------------------	-------------------------------------

IMPERIAL - ISAF

UNIFIED SAF

International Bearings

Sleeve Bearing

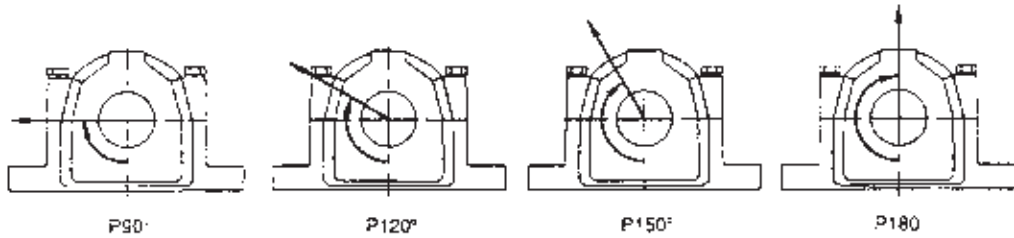
SLEEVOIL



# SELECTION



## UNIFIED SAF Housing Ratings



**Table 6: USAF Housing Ratings And Cap Bolt Ratings\***

PILLOW BLOCK DESIGNATION				RECOMMENDED HOUSING CAP LOADS ♦				RECOMMENDED CAP BOLT LOADS			CAP BOLT INFORMATION ♦		
USAF	USAF	USAF	USAF	P90 lb.	P120 lb.	P150 lb.	P180 lb.	P120 lb.	P150 lb.	P180 lb.	CAP BOLT (NO.) SIZE	TORQUE (Ft-Lb)	SAE GRADE
509				6600	4200	3600	4600	19800	11300	9900	(4) 3/8-16	24-30	5
			308	7800	5000	4400	5400	19800	11300	9900	(4) 3/8-16	24-30	5
513		611	311	13360	8260	7680	9200	27120	15600	13560	(4) 7/16-14	40-50	5
515	215		312	13360	8260	7680	9220	36200	20800	18100	(4) 1/2-13	60-75	5
516	216	613	313	12800	8000	7400	8900	57600	33000	28800	(4) 5/8-11	120-150	5
517	217		314	13600	9200	8400	10200	57600	33000	28800	(4) 5/8-11	120-150	5
518	218	615	315	17500	11350	10200	12100	57600	33000	28800	(4) 5/8-11	120-150	5
		616	316	17600	12000	10500	12200	57600	33000	28800	(4) 5/8-11	120-150	5
520	220	617	317	22500	14200	12660	14700	85200	48900	42600	(4) 3/4-10	208-260	5
522	222			28100	17500	15500	17800	85200	48900	42600	(4) 3/4-10	208-260	5
524	224	620	320	24500	15400	13700	15800	85200	48900	42600	(4) 3/4-10	208-260	5
526	226	622	322	28970	18000	15900	18300	11800	67800	59000	(4) 7/8-9	320-430	5
528	228			35800	22100	19400	22300	154400	88700	77200	(4) 1-8	512-640	5
530	230	624	324	40000	24700	21600	25000	154400	88700	77200	(4) 1-8	512-640	5
532	232	626	326	40200	24800	21700	25100	154400	88700	77200	(4) 1-8	512-640	5
534	234	628	328	52000	32200	28200	33000	154400	88700	77200	(4) 1-8	512-640	5
536	236	630	330	78200	49200	43300	52800	154400	88700	77200	(4) 1-8	512-640	5
538	238	632	332	80600	50800	44800	54800	215200	123000	107600	(4) 1-1/4-7	896-1120	5
540	240	634	334	83800	53000	46700	57500	215200	123000	107600	(4) 1-1/4-7	896-1120	5
544	244	638	338	101800	65600	58200	73800	312000	179000	156000	(4) 1-1/2-6	1560-1950	5
048				83800	53000	46700	54800	215200	123000	107600	(4) 1-1/4-7	896-1120	5
052				101800	65600	58200	73800	312000	179000	156000	(4) 1-1/2-6	1560-1950	5
056				110200	71800	64000	82100	312000	179000	156000	(4) 1-1/2-6	1560-1950	5

\* When utilizing heavy cap loads on a pillow block housing, the installation must adhere to the following procedures.

- 1) The pillow block base bolts must have high strength (Grade 8) bolts and be properly tightened to mounting structure.
- 2) Stop bars (shear strips) must be used against the pillow block where side loads are encountered.
- 3) In all cases where loads are heavy, the L10 life of the bearing should be checked for proper selection and life requirements.

♦ For USDAF housing and Cap Bolt Ratings consult DODGE Application Engineering (864-284-5700).

FEATURES/BENEFITS PAGE B11-3	HOW TO ORDER PAGE B11-9	NOMENCLATURE PAGE B11-10	SELECTION/DIMENSIONS PAGE B11-30
---------------------------------	----------------------------	-----------------------------	-------------------------------------

# SELECTION



## UNIFIED SAF Expansion Capabilities

**Table 7: UNIFIED 500, 200, 600 And 300 Series And Split-sphere Pillow Blocks Total Expansion Capability**

Shaft Size				USAFA Housing Designation				Total Expansion, Inches
500 Adptr. Mntg. Inches	200 Drct. Mntg. mm	600 Adptr. Mntg. Inches	300 Drct. Mntg. mm					
1-7/16	-	-	-	509	-	-	-	1/4
1-11/16	-	-	40	510	-	-	308	1/4
1-15/16	-	1-7/16	45	511	-	609	309	1/4
-	-	1-11/16	50	-	-	610	310	7/16
2-3/16	-	1-15/16	55	513	-	611*	311*	5/16
2-7/16 2-1/2	75	-	60	515	215	-	312	1/4
2-11/16 2-3/4	80	2-7/16	65	516	216	613	313	3/8
2-15/16 3	85	-	70	517	217	-	314	3/8
3-3/16	90	2-7/16 2-1/2	75	518	218	615	315	3/8
-	-	2-11/16 2-3/4	80	-	-	616	316	3/8
3-7/16 3-1/2	100	2-15/16 3	85	520	220	617	317	3/8
3-15/16, 4	110			522	222			3/8
4-3/16	120	3-7/16 3-1/2	100	524	224	620	320	3/8
4-7/16, 4-1/2	130	3-15/16, 4	110	526	226	622	322	3/8
4-15/16 5	140			528	228			3/8
5-3/16	150	4-3/16	120	530	230	624	324	3/8
5-7/16 5-1/2	160	4-7/16, 4-1/2	130	532	232	626	326	3/8
5-15/16 6	170	4-15/16, 5	140	534	234	628	328	3/8
6-7/16 6-1/2	180	5-3/16	150	536	236	630	330	3/8
6-15/16 7	190	5-7/16 5-1/2	160	538	238	632	332	3/8
7-3/16	200	5-15/16, 6	170	540	240	634	334	3/8
7-1/2,	220	6-15/16 7	190	544S	244	638	338	3/8
7-15/16 8		-		544				
8-7/16, 8-1/2 8-15/16, 9	-	-	-	048	-	-	-	5/8
9-7/16, 9-1/2	-	-	-	052	-	-	-	9/16
9-15/16, 10	-	-	-	056	-	-	-	1-5/8
10-7/16 10-1/2	-	-	-	056L	-	-	-	1-5/8

\* 1/4 Total Expansion

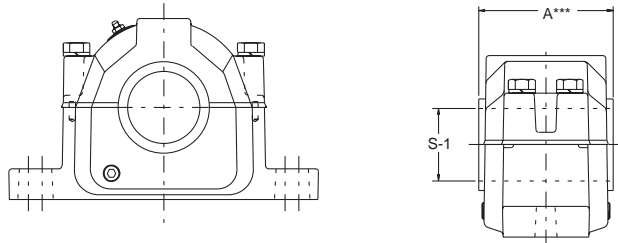
FEATURES/BENEFITS PAGE B11-3	HOW TO ORDER PAGE B11-9	NOMENCLATURE PAGE B11-10	SELECTION/DIMENSIONS PAGE B11-30
---------------------------------	----------------------------	-----------------------------	-------------------------------------



# SELECTION/DIMENSIONS



## USAF 500 Adapter Mount Pillow Block with TRIPLE-TECT Seal Assembly 500 SERIES OPEN END HOUSING



Shaft Dia S-1	Complete Pillow Block Part No.	Housing W/ Stab Ring Part No.	Bearing Part No.	Dynamic Capacity (C), lbs.	Max Rpm (Grease)
1-7/16	P2B509-USAF-107TT 043015	H2S-509-USAF 043995	BRG22209KC3 422134	24,500	5,600
1-11/16	P2B510-USAF-111TT 043048	H2S-510-USAF 043996	BRG22210KC3 422137	26,000	5,300
1-15/16	P2B511-USAF-115TT 043248	H2S-511-USAF 043997	BRG22211KC3 422123	31,500	4,500
2-3/16	P2B513-USAF-203TT 043249	H2S-513-USAF 043998	BRG22213KC3 422124	45,500	3,800
	P4B513-USAF-203TT 039579	H4S-513-USAF 039669	BRG22213KC3 422124		
2-7/16	P2B515-USAF-207TT 041860	H2S-515-USAF 044000	BRG22215KC3 422001	48,000	3,400
	P4B515-USAF-207TT 041861	H4S-515-USAF 044003	BRG22215KC3 422001		
2-1/2	P2B515-USAF-208TT 041862	H2S-515-USAF 044000	BRG22215KC3 422001	48,000	3,400
	P4B515-USAF-208TT 041863	H4S-515-USAF 044003	BRG22215KC3 422001		
2-11/16	P2B516-USAF-211TT 042406	H2S-516-USAF 044198	BRG22216KC3 422003	56,000	3,200
	P4B516-USAF-211TT 044015	H4S-516-USAF 044007	BRG22216KC3 422003		
2-3/4	P2B516-USAF-212TT 042409	H2S-516-USAF 044198	BRG22216KC3 422003	56,000	3,200
	P4B516-USAF-212TT 042423	H4S-516-USAF 044007	BRG22216KC3 422003		
2-15/16	P2B517-USAF-215TT 041864	H2S-517-USAF 044010	BRG22217KC3 422005	68,000	3,000
	P4B517-USAF-215TT 041865	H4S-517-USAF 044013	BRG22217KC3 422005		
3	P2B517-USAF-300TT 041866	H2S-517-USAF 044010	BRG22217KC3 422005	68,000	3,000
	P4B517-USAF-300TT 041867	H4S-517-USAF 044013	BRG22217KC3 422005		
3-3/16	P2B518-USAF-303TT 042422	H2S-518-USAF 044199	BRG22218KC3 422007	78,000	2,600
	P4B518-USAF-303TT 044115	H4S-518-USAF 044114	BRG22218KC3 422007		

FEATURES/BENEFITS PAGE B11-3	HOW TO ORDER PAGE B11-9	NOMENCLATURE PAGE B11-10	SELECTION/DIMENSIONS PAGE B11-30
---------------------------------	----------------------------	-----------------------------	-------------------------------------



# SELECTION/DIMENSIONS



## USAF 500 Adapter Mount Pillow Block with TRIPLE-TECT Seal Assembly 500 SERIES OPEN END HOUSING

Shaft Dia S-1	SNW Part No.	TRIPLE-TECT Part No.	TTDN Part No.	#LER Part No.	Aux Part No.	End Cover Part No.
1-7/16	H309-SNW-107 046350	08TT107 043578	---	08LER107 042193		EC08 040700
1-11/16	H310-SNW-111 046351	10TT111 043579	---	10LER111 *042199		EC10 040701
1-15/16	H311-SNW-115 046352	12TT115 043540	12TTDN115 039852	12LER115 042512	12AUX115 041687	EC12 040702
2-3/16	H313-SNW-203 046353	14TT203 043541	14TTDN203 039853	14LER203 042513	14AUX203 041688	EC14 040703
	H313-SNW-203 046353	14TT203 043541	14TTDN203 039853	14LER203 042513	14AUX203 041688	EC14 040703
2-7/16	H315-SNW-207 046354	20TT207 043542	20TTDN207 039538	20LER207 042514	20AUX207 042380	EC20 040704
	H315-SNW-207 046354	20TT207 043542	20TTDN207 039538	20LER207 042514	20AUX207 042380	EC20 040704
2-1/2	H315-SNW-208 046355	20TT208 043543	20TTDN208 039854	20LER208 042515	20AUX208 040890	EC20 040704
	H315-SNW-208 046355	20TT208 043543	20TTDN208 039854	20LER208 042515	20AUX208 040890	EC20 040704
2-11/16	H316-SNW-211 046356	24TT211 043544	24TTDN211 039855	24LER211 042516	24AUX211 042381	EC24 040705
	H316-SNW-211 046356	24TT211 043544	24TTDN211 039855	24LER211 042516	24AUX211 042381	EC24 040705
2-3/4	H316-SNW-212 046357	24TT212 043545	24TTDN212 039856	24LER212 042517	24AUX212 040891	EC24 040705
	H316-SNW-212 046357	24TT212 043545	24TTDN212 039856	24LER212 042517	24AUX212 040891	EC24 040705
2-15/16	H317-SNW-215 046358	28TT215 043546	28TTDN215 039530	28LER215 042518	28AUX215 042382	EC28 040706
	H317-SNW-215 046358	28TT215 043546	28TTDN215 039530	28LER215 042518	28AUX215 042382	EC28 040706
3	H317-SNW-300 046359	28TT300 043547	28TTDN300 039857	28LER300 042519	28AUX300 040918	EC28 040706
	H317-SNW-300 046359	28TT300 043547	28TTDN300 039857	28LER300 042519	28AUX300 040918	EC28 040706
3-3/16	H318-SNW-303 046360	34TT303 043548	34TTDN303 039858	34LER303 042520	34AUX303 040892	EC34 040707
	H318-SNW-303 046360	34TT303 043548	34TTDN303 039858	34LER303 042520	34AUX303 040892	EC34 040707

# NOTE: LER seals are made from Aluminum unless otherwise noted by the \* symbol.

If an \* appears by the part number, the LER seal is manufactured from Steel.

FEATURES/BENEFITS PAGE B11-3	HOW TO ORDER PAGE B11-9	NOMENCLATURE PAGE B11-10	SELECTION/DIMENSIONS PAGE B11-30
---------------------------------	----------------------------	-----------------------------	-------------------------------------



# SELECTION/DIMENSIONS



## USAF 500 Adapter Mount Pillow Block with TRIPLE-TECT Seal Assembly 500 SERIES OPEN END HOUSING

Shaft Dia S-1	Complete Pillow Block Part No.	Housing W/ Stab Ring Part No.	Bearing Part No.	Dynamic Capacity (C), lbs.	Max Rpm (Grease)
3-7/16	P2B520-USAF-307TT 041868	H2S-520-USAF 044020	BRG22220KC3 422009	96,500	2,200
	P4B520-USAF-307TT 041869	H4S-520-USAF 044023	BRG22220KC3 422009		
3-1/2	P2B520-USAF-308TT 041870	H2S-520-USAF 044020	BRG22220KC3 422009	96,500	2,200
	P4B520-USAF-308TT 041871	H4S-520-USAF 044023	BRG22220KC3 422009		
3-15/16	P4B522-USAF-315TT 041872	H4S-522-USAF 044025	BRG22222KC3 422011	122,000	2,000
4	P4B522-USAF-400TT 041873	H4S-522-USAF 044025	BRG22222KC3 422011	122,000	2,000
4-3/16	P4B524-USAF-403TT 042431	H4S-524-USAF 044202	BRG22224KC3 422013	143,000	1,900
4-7/16	P4B526-USAF-407TT 041874	H4S-526-USAF 044031	BRG22226KC3 422015	170,000	1,800
4-1/2	P4B526-USAF-408TT 041875	H4S-526-USAF 044031	BRG22226KC3 422015	170,000	1,800
4-15/16	P4B528-USAF-415TT 041876	H4S-528-USAF 044034	BRG22228KC3 422017	196,000	1,700
5	P4B528-USAF-500TT 041877	H4S-528-USAF 044034	BRG22228KC3 422017	196,000	1,700
5-3/16	P4B530-USAF-503TT 042438	H4S-530-USAF 044203	BRG22230KC3 422019	228,000	1,600
5-7/16	P4B532-USAF-507TT 041878	H4S-532-USAF 044040	BRG22232KC3 422021	260,000	1,500
5-1/2	P4B532-USAF-508TT 041879	H4S-532-USAF 044040	BRG22232KC3 422021	260,000	1,500
5-15/16	P4B534-USAF-515TT 041880	H4S-534-USAF 044043	BRG22234KC3 422023	300,000	1,300
6	P4B534-USAF-600TT 041881	H4S-534-USAF 044043	BRG22234KC3 422023	300,000	1,300
6-7/16	P4B536-USAF-607TT 041882	H4S-536-USAF 044046	BRG22236KC3 422025	305,000	1,300
6-1/2	P4B536-USAF-608TT 041883	H4S-536-USAF 044046	BRG22236KC3 422025	305,000	1,300
6-15/16	P4B538-USAF-615TT 041884	H4S-538-USAF 044049	BRG22238KC3 422027	270,000	1,200
7	P4B538-USAF-700TT 041885	H4S-538-USAF 044049	BRG22238KC3 422027	270,000	1,200
7-3/16	P4B540-USAF-703TT 039606	H4S-540-USAF 039681	BRG22240KC3 422064	300,000	900
7-1/2	P4B544-USAF-708TT 042445	H4S-544S-USAF 044054	BRG22244KC3 422029	365,000	950
7-15/16	P4B544-USAF-715TT 041886	H4S-544-USAF 044055	BRG22244KC3 422029	365,000	950

FEATURES/BENEFITS  
PAGE B11-3

HOW TO ORDER  
PAGE B11-9

NOMENCLATURE  
PAGE B11-10

SELECTION/DIMENSIONS  
PAGE B11-30

# SELECTION/DIMENSIONS



## USAF 500 Adapter Mount Pillow Block with TRIPLE-TECT Seal Assembly 500 SERIES OPEN END HOUSING

Shaft Dia S-1	SNW Part No.	TRIPLE-TECT Part No.	TTDN Part No.	#LER Part No.	Aux Part No.	End Cover Part No.
3-7/16	H320-SNW-307 046361	46TT307 043549	46TTDN307 039859	46LER307 042521	46AUX307 042383	EC46 040708
	H320-SNW-307 046361	46TT307 043549	46TTDN307 039859	46LER307 042521	46AUX307 042383	EC46 040708
3-1/2	H320-SNW-308 046362	46TT308 043550	46TTDN308 039860	46LER308 042522	46AUX308 040919	EC46 040708
	H320-SNW-308 046362	46TT308 043550	46TTDN308 039860	46LER308 042522	46AUX308 040919	EC46 040708
3-15/16	H322-SNW-315 046363	50TT315 043551	50TTDN315 039861	50LER315 042523	50AUX315 042384	EC50 040709
4	H322-SNW-400 046364	50TT400 043552	50TTDN400 039862	50LER400 042524	50AUX400 040893	EC50 040709
4-3/16	H3124-SNW-403 046430	52TT403 043553	52TTDN403 039863	52LER403 042525	52AUX403 044360	EC52 040710
4-7/16	H3126-SNW-407 046431	54TT407 043554	54TTDN407 039864	54LER407 042526	54AUX407 042385	EC54 040711
4-1/2	H3126-SNW-408 046432	54TT408 043555	54TTDN408 039865	54LER408 042527	54AUX408 042386	EC54 040711
4-15/16	H3128-SNW-415 046433	56TT415 043556	56TTDN415 039866	56LER415 042528	56AUX415 042387	EC56 040712
5	H3128-SNW-500 046434	56TT500 043557	56TTDN500 039867	56LER500 042529	56AUX500 040894	EC562 040712
5-3/16	SNW30X503 043618	58TT503 043558	---	58LER503 042530		EC58 040713
5-7/16	SNW32X507 043619	60TT507 043559	---	60LER507 042531	60AUX507 042388	EC60 040714
5-1/2	SNW32X508 043634	60TT508 043574	---	60LER508 042532	60AUX508 040895	EC60 040714
5-15/16	SNW32X515 043620	64TT515 043560	---	64LER515 042533	64AUX515 042389	EC64 040681
6	SNW34X600 043621	64TT600 043561	---	64LER600 042534	64AUX600 041646	EC64 040681
6-7/16	SNW36X607 043622	68TT607 043562	---	68LER607 042535	68AUX607 042390	EC68 040682
6-1/2	SNW36X608 043623	68TT608 043563	---	68LER608 042536	68AUX608 042391	EC68 040682
6-15/16	SNW38X615 043624	72TT615 043564	---	72LER615 042537	72AUX615 042392	EC72 040683
7	SNW38X700 043625	72TT700 043565	---	72LER700 042538	72AUX700 043109	EC72 040683
7-3/16	SNW40X703 046545	74TT703 046421	---	74LER703 043386	74AUX703 040690	---
7-1/2	SNW44X708 043627	76TT708 043567	---	76LER708 042539	76AUX708 040896	EC76 040684
7-15/16	SNW44X715 043626	78TT715 043566	---	78LER715 042540	78AUX715 042393*	EC78 040685

# NOTE: LER seals are made from Aluminum unless otherwise noted by the \* symbol.

If an \* appears by the part number, the LER seal is manufactured from Steel.

FEATURES/BENEFITS PAGE B11-3	HOW TO ORDER PAGE B11-9	NOMENCLATURE PAGE B11-10	SELECTION/DIMENSIONS PAGE B11-30
---------------------------------	----------------------------	-----------------------------	-------------------------------------



# SELECTION/DIMENSIONS



## USAF 500 Adapter Mount Pillow Block with TRIPLE-TECT Seal Assembly 500 SERIES OPEN END HOUSING

Shaft Dia S-1	Complete Pillow Block Part No.	Housing W/ Stab Ring Part No.	Bearing Part No.	Dynamic Capacity (C), lbs.	Max Rpm (Grease)
8	P4B544-USAF-800TT 041887	H4S-544-USAF 044055	BRG22244KC3 422029	365,000	950
8-7/16	P4B048-USAF-807TT 042447	H4S-048-USAF 044200	BRG23048KC3 422031	260,000	950
8-1/2	P4B048-USAF-808TT 042448	H4S-048-USAF 044200	BRG23048KC3 422031	260,000	950
8-15/16	P4B048-USAF-815TT 042449	H4S-048-USAF 044200	BRG23048KC3 422031	260,000	950
9	P4B048-USAF-900TT 042453	H4S-048-USAF 044200	BRG23048KC3 422031	260,000	950
9-7/16	P4B052-USAF-907TT 042454	H4S-052-USAF 422542	BRG23052KC3 422543	340,000	900
9-1/2	P4B052-USAF-908TT 422544	H4S-052-USAF 422542	BRG23052KC3 422543	340,000	900
9-15/16	P4B056-USAF-915TT 042458	H4S-056-USAF 422560	BRG23056KC3 422030	345,000	850
10	P4B056-USAF-1000TT 041628	H4S-056-USAF 422560	BRG23056KC3 422030	345,000	850
10-7/16	P4B056-USAF-1007TT 042463	H4S-056L-USAF 044201	BRG23056KC3 422030	345,000	850
10-1/2	P4B056-USAF-1008TT 042464	H4S-056L-USAF 044201	BRG23056KC3 422030	345,000	850

IMPERIAL - USAF

UNIFIED SAF

International Bearings

Sleeve Bearing

SLEEVOIL

FEATURES/BENEFITS PAGE B11-3	HOW TO ORDER PAGE B11-9	NOMENCLATURE PAGE B11-10	SELECTION/DIMENSIONS PAGE B11-30
---------------------------------	----------------------------	-----------------------------	-------------------------------------

# SELECTION/DIMENSIONS



## USAF 500 Adapter Mount Pillow Block with TRIPLE-TECT Seal Assembly 500 SERIES OPEN END HOUSING

Shaft Dia S-1	SNW Part No.	TRIPLE-TECT Part No.	TTDN Part No.	#LER Part No.	Aux Part No.	End Cover Part No.
8	SNW44X800 043628	78TT800 043568	---	78LER800 042541*	78AUX800 042394*	EC78 040685
8-7/16	SNP3048X807 043629	90TT807 043569	---	90LER807 042542*	90AUX807 040897*	EC90 042368
8-1/2	SNP3048X808 043630	90TT808 043570	---	90LER808 042543*	90AUX808 040898*	EC90 042368
8-15/16	SNP3048X815 043631	90TT815 043571	---	90LER815 042544*		EC90 042368
9	SNP3048X900 043632	90TT900 043572	---	90LER900 042545*	90AUX900 040995*	EC90 042368
9-7/16	SNP3052X907 043585	84TT907 043538	---	84LER907 042510*	84AUX907 040900*	EC84 422606
9-1/2	SNP3052X908 422538	84TT908 422545	---	84LER908 042594*	84AUX908 040901*	EC84 422606
9-15/16	SNP3056X915 043586	92TT915 043575	---	92LER915 042511*		EC92 042369
10	SNP3056X1000 043633	92TT1000 043573	---	92LER1000 041082*	92AUX1000 042395*	EC92 042369
10-7/16	SNP3056X1007 043580	94TT1007 047940	---	94LER1007 042036*		EC94 040689
10-1/2	SNP3056X1008 422567	94TT1008 047941	---	94LER1008 422573*	94AUX1008 042396*	EC94 040689

# NOTE: LER seals are made from Aluminum unless otherwise noted by the \* symbol.

If an \* appears by the part number, the LER seal is manufactured from Steel.

IMPERIAL - ISAF

UNIFIED SAF

International Bearings

Sleeve Bearing

SLEEVOIL

FEATURES/BENEFITS PAGE B11-3	HOW TO ORDER PAGE B11-9	NOMENCLATURE PAGE B11-10	SELECTION/DIMENSIONS PAGE B11-30
---------------------------------	----------------------------	-----------------------------	-------------------------------------



# SELECTION/DIMENSIONS



## USAF 500 Adapter Mount Pillow Block with TRIPLE-TECT Seal Assembly 500 SERIES CAST CLOSED HOUSING

Shaft Dia S-1	Complete Pillow Block Part No.	Housing Part No. **	Bearing Part No.	Dynamic Capacity (C), lbs.	Max Rpm (Grease)	SNW Part No.	1-7/16" - 4-15/16" Seals			
							TRIPLE-TECT Part No.	Drop In TRIPLE-TECT Part No.	# LER Part No.	Aux Taconite Part No.
1-7/16	CP2B509-USAF-107TT 039575	CH2S-509-USAF 039665	BRG22209KC3 422134	24,500	5,600	H309-SNW-107 046350	08TT107 043578	---	08LER107 042193	
	CP2B510--USAF-111TT 039576	CH2S-510-USAF 039666	BRG22210KC3 422137	26,000	5,300	H310-SNW-111 046351	10TT111 043579	---	10LER111 042199	
1-11/16	CP2B511-USAF-115TT 039577	CH2S-511-USAF 039667	BRG22211KC3 422123	31,500	4,500	H311-SNW-115 046352	12TT115 043540	12TTDN115 039852	12LER115 042512	12AUX115 041687
2-3/16	CP2B513-USAF-203TT 039578	CH2S-513-USAF 039668	BRG22213KC3 422124	45,500	3,800	H313-SNW-203 046353	14TT203 043541	14TTDN203 039853	14LER203 042513	14AUX203 041688
	CP4B513-USAF-203TT 039580	CH4S-513-USAF 039670	BRG22213KC3 422124	45,500	3,800	H313-SNW-203 046353	14TT203 043541	14TTDN203 039853	14LER203 042513	14AUX203 041688
2-7/16	CP2B515-USAF-207TT 039581	CH2S-515-USAF 039544	BRG22215KC3 422001	48,000	3,400	H315-SNW-207 046354	20TT207 043542	20TTDN207 039538	20LER207 042514	20AUX207 042380
	CP4B515-USAF-207TT 039582	CH4S-515-USAF 039545	BRG22215KC3 422001	48,000	3,400	H315-SNW-207 046354	20TT207 043542	20TTDN207 039538	20LER207 042514	20AUX207 042380
2-1/2	CP2B515-USAF-208TT 039583	CH2S-515-USAF 039544	BRG22215KC3 422001	48,000	3,400	H315-SNW-208 046355	20TT208 043543	20TTDN208 039854	20LER208 042515	20AUX208 040890
	CP4B515-USAF-208TT 039584	CH4S-515-USAF 039545	BRG22215KC3 422001	48,000	3,400	H315-SNW-208 046355	20TT208 043543	20TTDN208 039854	20LER208 042515	20AUX208 040890
2-11/16	CP2B516-USAF-211TT 039585	CH2S-516-USAF 039671	BRG22216KC3 422003	56,000	3,200	H316-SNW-211 046356	24TT211 043544	24TTDN211 039855	24LER211 042516	24AUX211 042381
	CP4B516-USAF-211TT 039586	CH4S-516-USAF 039672	BRG22216KC3 422003	56,000	3,200	H316-SNW-211 046356	24TT211 043544	24TTDN211 039855	24LER211 042516	24AUX211 042381
2-3/4	CP2B516-USAF-212TT 039587	CH2S-516-USAF 039671	BRG22216KC3 422003	56,000	3,200	H316-SNW-212 046357	24TT212 043545	24TTDN212 039856	24LER212 042517	24AUX212 040891
	CP4B516-USAF-212TT 039588	CH4S-516-USAF 039672	BRG22216KC3 422003	56,000	3,200	H316-SNW-212 046357	24TT212 043545	24TTDN212 039856	24LER212 042517	24AUX212 040891
2-15/16	CP2B517-USAF-215TT 039589	CH2S-517-USAF 039508	BRG22217KC3 422005	68,000	3,000	H317-SNW-215 046358	28TT215 043546	28TTDN215 039530	28LER215 042518	28AUX215 042382
	CP4B517-USAF-215TT 039590	CH4S-517-USAF 039509	BRG22217KC3 422005	68,000	3,000	H317-SNW-215 046358	28TT215 043546	28TTDN215 039530	28LER215 042518	28AUX215 042382
3	CP2B517-USAF-300TT 039591	CH2S-517-USAF 039508	BRG22217KC3 422005	68,000	3,000	H317-SNW-300 046359	28TT300 043547	28TTDN300 039857	28LER300 042519	28AUX300 040918
	CP4B517-USAF-300TT 039592	CH4S-517-USAF 039509	BRG22217KC3 422005	68,000	3,000	H317-SNW-300 046359	28TT300 043547	28TTDN300 039857	28LER300 042519	28AUX300 040918
3-3/16	CP2B518-USAF-303TT 039593	CH2S-518-USAF 039673	BRG22218KC3 422007	78,000	2,600	H318-SNW-303 046360	34TT303 043548	34TTDN303 039858	34LER303 042520	34AUX303 040892
	CP4B518-USAF-303TT 039594	CH4S-518-USAF 039674	BRG22218KC3 422007	78,000	2,600	H318-SNW-303 046360	34TT303 043548	34TTDN303 039858	34LER303 042520	34AUX303 040892
3-7/16	CP2B520-USAF-307TT 039595	CH2S-520-USAF 039675	BRG22220KC3 422009	96,500	2,200	H320-SNW-307 046361	46TT307 043549	46TTDN307 039859	46LER307 042521	46AUX307 042383
	CP4B520-USAF-307TT 039596	CH4S-520-USAF 039676	BRG22220KC3 422009	96,500	2,200	H320-SNW-307 046361	46TT307 043549	46TTDN307 039859	46LER307 042521	46AUX307 042383

# Note: LER seals are made from Aluminum unless otherwise noted by the \* symbol.  
If an \* appears by the part number, the LER seal is manufactured from Steel.

FEATURES/BENEFITS PAGE B11-3	HOW TO ORDER PAGE B11-9	NOMENCLATURE PAGE B11-10	SELECTION/DIMENSIONS PAGE B11-30
---------------------------------	----------------------------	-----------------------------	-------------------------------------

# SELECTION/DIMENSIONS



## USAF 500 Adapter Mount Pillow Block with TRIPLE-TECT Seal Assembly 500 SERIES CAST CLOSED HOUSING

SHAFT DIA S-1	COMPLETE PILLOW BLOCK PART NO.	HOUSING PART NO. **	BEARING PART NO.	DYNAMIC CAPACITY (C) LBS.	MAX RPM LER (GREASE)	SNW PART NO.	5" - 10-1/2" SEALS			
							TRIPLE TECT PART NO.	DROP IN TRIPLE TECT PART NO.	# LER PART NO.	AUX TACONITE PART NO.
3-1/2	CP2B520-USAF-308TT 039597	CH2S-520-USAF 039675	BRG22220KC3 422009	96,500	2,200	H320-SNW-308 046362	46TT308 043550	46TTDN308 039860	46LER308 042522	46AUX308 040919
	CP4B520-USAF-308TT 039598	CH4S-520-USAF 039676	BRG22220KC3 422009	96,500	2,200	H320-SNW-308 046362	46TT308 043550	46TTDN308 039860	46LER308 042522	46AUX308 040919
3-15/16	CP4B522-USAF-305TT 039599	CH4S-522-USAF 039677	BRG22222KC3 422011	122,000	2,000	H322-SNW-315 046363	50TT315 043554	50TTDN315 039861	50LER315 042523	50AUX315 042384
4	CP4B522-USAF-400TT 039600	CH4S-522-USAF 039677	BRG22222KC3 422011	122,000	2,000	H322-SNW-400 046364	50TT400 043552	50TTDN400 039862	50LER400 042524	50AUX400 040893
4-3-16	CP4B524-USAF-403TT 039601	CH4S-524-USAF 039678	BRG22224KC3 422013	143,000	1,900	H3124-SNW-403 046430	52TT403 043553	52TTDN403 039863	52LER403 042525	52AUX403 044360
4-7/16	CP4B526-USAF-407TT 039602	CH4S-526-USAF 039679	BRG22226KC3 422015	170,000	1,800	H3126-SNW-407 046431	54TT407 043554	54TTDN407 039864	54LER407 042526	54AUX407 042385
4-1/2	CP4B526-USAF-408TT 039603	CH4S-526-USAF 039679	BRG22226KC3 422015	170,000	1,800	H3126-SNW-408 046432	54TT408 043555	54TTDN408 039865	54LER408 042527	54AUX408 042386
4-15/16	CP4B528-USAF-415TT 039604	CH4S-528-USAF 039680	BRG22228KC3 422017	196,000	1,700	H3128-SNW-415 046433	56TT415 043556	56TTDN415 039866	56LER415 042528	56AUX415 042387
5	CP4B528-USAF-500TT 039605	CH4S-528-USAF 039680	BRG22228KC3 422017	196,000	1,700	H3128-SNW-500 046434	56TT500 043557	56TTDN500 039867	56LER500 042529	56AUX500 040894
5-3/16	CP4B530-USAF-503TT 039138	CH4S-530-USAF 039217	BRG2223KC3 422019	228,000	1,600	SNW30X503 043618	58TT503 043558	---	58LER503 042530	
5-7/16	CP4B532-USAF-507TT 039141	CH4S-532-USAF 039218	BRG22232KC3 422021	260,000	1,500	SNW32X507 043619	60TT507 043559	---	60LER507 042531	60AUX507
5-1/2	CP4B532-USAF-508TT 039142	CH4S-532-USAF 039218	BRG22232KC3 422021	260,000	1,500	SNW32X508 043634	60TT508 043574	---	60LER508 042532	60AUX508 040895
5-15/16	CP4B534-USAF-515TT 039147	CH4S-534-USAF 039219	BRG22234KC3 422023	300,000	1,300	SNW32X515 043620	64TT515 043560	---	64LER515 042533	64AUX515 042389
6	CP4B534-USAF-600TT 039148	CH4S-534-USAF 039219	BRG22234KC3 422023	300,000	1,300	SNW34X600 043621	64TT600 043561	---	64LER600 042534	64AUX600 041646
6-7/16	CP4B536-USAF-607TT 039151	CH4S-536-USAF 039220	BRG22236KC3 422025	305,000	1,300	SNW36X607 043622	68TT607 042562	---	68LER607 042535	68AUX607 042390
6-1/2	CP4B536-USAF-608TT 039152	CH4S-536-USAF 039220	BRG22236KC3 422025	305,000	1,300	SNW36X608 043623	68TT608 043563	---	68LER608 042536	68AUX608 042391
6-15/16	CP4B538-USAF-615TT 039155	CH4S-538-USAF 039221	BRG22238KC3 422027	270,000	1,200	SNW38X615 043624	72TT615 043564	---	72LER615 042537	72AUX615 042392
7	CP4B538-USAF-700TT 039156	CH4S-538-USAF 039221	BRG22238KC3 422027	270,000	1,200	SNW38X700 043625	72TT700 043565	---	72LER700 042538	72AUX700 043109
7-3/16	CP4B540-USAF-703TT 039159	CH4S-540-USAF 039222	BRG22240KC3 422064	300,000	900	SNW40X703 046545	74TT703 046421	---	74LER703 043386	74AUX703 040690
7-1/2	CP4B544-USAF-708TT 039160	CH4S-544S-USAF 039223	BRG22244KC3 422029	365,000	950	SNW44X708 043627	76TT708 043567	---	76LER708 042539	76AUX708 040896
7-15/16	CP4B544-USAF-715TT 039163	CH4S-544-USAF 039224	BRG22244KC3 422029	365,000	950	SNW44X715 043626	78TT715 043566	---	78LER715 042540	78AUX715 042393*

# NOTE: LER seals are made from aluminum unless otherwise noted by the \* symbol.  
If an \* appears by the part number, the LER seal is manufactured from steel.

FEATURES/BENEFITS PAGE B11-3	HOW TO ORDER PAGE B11-9	NOMENCLATURE PAGE B11-10	SELECTION/DIMENSIONS PAGE B11-30
---------------------------------	----------------------------	-----------------------------	-------------------------------------



# SELECTION/DIMENSIONS



## USAF 500 Adapter Mount Pillow Block with TRIPLE-TECT Seal Assembly 500 SERIES CAST CLOSED HOUSING

SHAFT DIA S-1	COMPLETE PILLOW BLOCK PART NO.	HOUSING PART NO. **	BEARING PART NO.	DYNAMIC CAPACITY (C) LBS.	MAX RPM LER (GREASE)	SNW PART NO.	5" - 10-1/2" SEALS			
							TRIPLE TECT PART NO.	DROP IN TRIPLE TECT PART NO.	# LER PART NO.	AUX TACONITE PART NO.
8	CP4B544-USAF-800TT 039164	CH4S-544-USAF 039224	BRG22244KC3 422029	365,000	950	SNW44X800 043628	78TT800 043568	---	78LER800 042541*	78AUX800 042394*
8-7/16	CP4B048-USAF-807TT 039165	CH4S-048-USAF 039225	BRG23048KC3 422031	260,000	800	SNP3048X807 043629	90TT807 043569	---	90LER807 042542*	90AUX807 040897*
8-1/2	CP4B048-USAF-808TT 039166	CH4S-048-USAF 039225	BRG23048KC3 422031	260,000	800	SNP3048X808 043630	90TT808 043570	---	90LER808 042543*	90AUX808 040898*
8-15/16	CP4B048-USAF-815TT 039167	CH4S-048-USAF 039225	BRG23048KC3 422031	260,000	800	SNP3048X815 043631	90TT815 043571	---	90LER815 042544*	
9	CP4B048-USAF-900TT 039168	CH4S-048-USAF 039225	BRG23048KC3 422031	260,000	800	SNP3048X900 043632	90TT900 043572	---	90LER900 042545*	90AUX900 040995*
9-7/16	CP4B052-USAF-907TT 039169	CH4S-052-USAF 039226	BRG23052KC3 422543	340,000	750	SNP3052X907 043585	84TT907 043538	---	84LER907 042510*	84AUX907 040900*
9-1/2	CP4B052-USAF-908TT 039170	CH4S-052-USAF 039226	BRG23052KC3 422543	340,000	750	SNP3052X908 422538	84TT908 422545	---	84LER908 042594*	84AUX908 040901*
9-15/16	CP4B056-USAF-915TT 039171	CH4S-056-USAF 039227	BRG23056KC3 422030	345,000	700	SNP3056X915 043586	92TT915 043575	---	92LER915 042511*	
10	CP4B056-USAF-1000TT 039172	CH4S-056-USAF 039227	BRG23056KC3 422030	345,000	700	SNP3056X1000 043633	92TT1000 043573	---	92LER1000 041082*	92AUX1000 042395*
10-7/16	CP4B056-USAF-1007TT 039173	CH4S-056L-USAF 039228	BRG23056KC3 422030	345,000	700	SNP3056X1007 043580	94TT1007 047940	---	94LER1007 042036*	
10-1/2	CP4B056-USAF-1008TT 039174	CH4S-056L-USAF 039228	BRG23056KC3 422030	345,000	700	SNP3056X1008 422567	94TT1008 047941	---	94LER1008 422573*	94AUX1008 042396*

# NOTE: LER seals are made from aluminum unless otherwise noted by the \* symbol.  
If an \* appears by the part number, the LER seal is manufactured from steel.

IMPERIAL - ISAF

UNIFIED SAF

International Bearings

Sleeve Bearing

SLEEVOIL

FEATURES/BENEFITS PAGE B11-3	HOW TO ORDER PAGE B11-9	NOMENCLATURE PAGE B11-10	SELECTION/DIMENSIONS PAGE B11-30
---------------------------------	----------------------------	-----------------------------	-------------------------------------



# SELECTION/DIMENSIONS



## USAF 500 Adapter Mount Pillow Block Housing

S-1 Shaft Size (Inch)	Housing	500 Housing †							
		Thru Housing				Closed End Housing			
		2-Bolt		4-Bolt		2-Bolt		4-Bolt	
		Part No.	Approx. Wt. (Lbs)	Part No.	Approx. Wt. (Lbs)	Part No.	Approx. Wt. (Lbs)	Part No.	Approx. Wt. (Lbs)
1-7/16	509	043995	9.5	-	-	039665	10.0	-	-
1-11/16	510	043996	11.3	-	-	039666	12.1	-	-
1-15/16	511	043997	15.6	039762	22.5	039667	16.5	-	23.5
2-3/16	513	043998	21.4	039669	22.5	039668	22.4	039670	23.5
2-7/16 2-1/2	515	044000	24.8	044003	26.4	039544	26.6	039545	27.9
2-11/16 2-3/4	516	044198	28.0	044007	28.0	039671	29.0	039672	29.0
2-15/16 3	517	044010	34.7	044013	38.3	039508	37.0	039509	40.6
3-3/16	518	044199	36.8	044114	37.2	039673	40.7	039674	41.2
3-7/16 3-1/2	520	044020	61.2	044023	61.8	039675	65.3	039676	65.9
3-15/16 4	522	-	-	044025	78.9	-	-	039677	84.0
4-3/16	524	-	-	044202	90.6	-	-	039678	96.1
4-7/16 4-1/2	526	-	-	044031	121.6	-	-	039679	128.2
4-15/16 5	528	-	-	044034	152.2	-	-	039680	162.2
5-3/16	530	-	-	044203	170.5	-	-	039217	182.3
5-7/16 5-1/2	532	-	-	044040	220.1	-	-	039218	235.2
5-15/16 6	534	-	-	044043	269.9	-	-	039219	282.8
6-7/16 6-1/2	536	-	-	044046	328.5	-	-	039220	349.7
6-15/16 7	538	-	-	044049	384.7	-	-	039221	409.4
7-3/16	540	-	-	039681	393.0	-	-	039222	403.0
7-1/2	544S	-	-	044054	624.0	-	-	039223	634.0
7-15/16 8	544	-	-	044055	621.0	-	-	039224	631.0
8-7/16 8-1/2 8-15/16 9	048	-	-	044200	386.0	-	-	039225	412.2
9-7/16 9-1/2	052	-	-	422542	575.0	-	-	039226	590.4
9-15/16 10	056	-	-	422560	692.0	-	-	039227	722.6
10-7/16 10-1/2	056L	-	-	044201	690.0	-	-	039228	720.0

† Includes Stabilizing Ring(s)

FEATURES/BENEFITS PAGE B11-3	HOW TO ORDER PAGE B11-9	NOMENCLATURE PAGE B11-10	SELECTION/DIMENSIONS PAGE B11-30
---------------------------------	----------------------------	-----------------------------	-------------------------------------

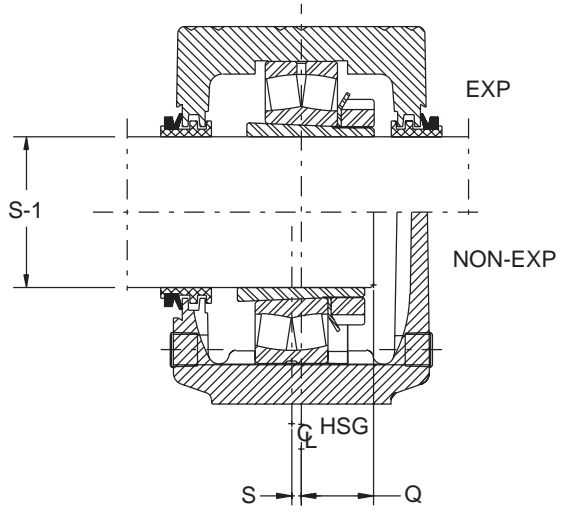
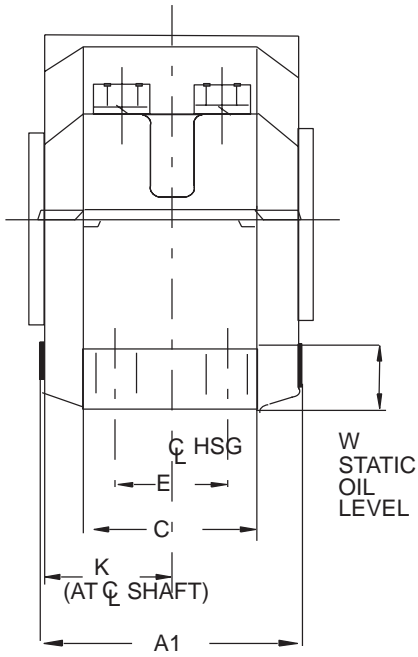
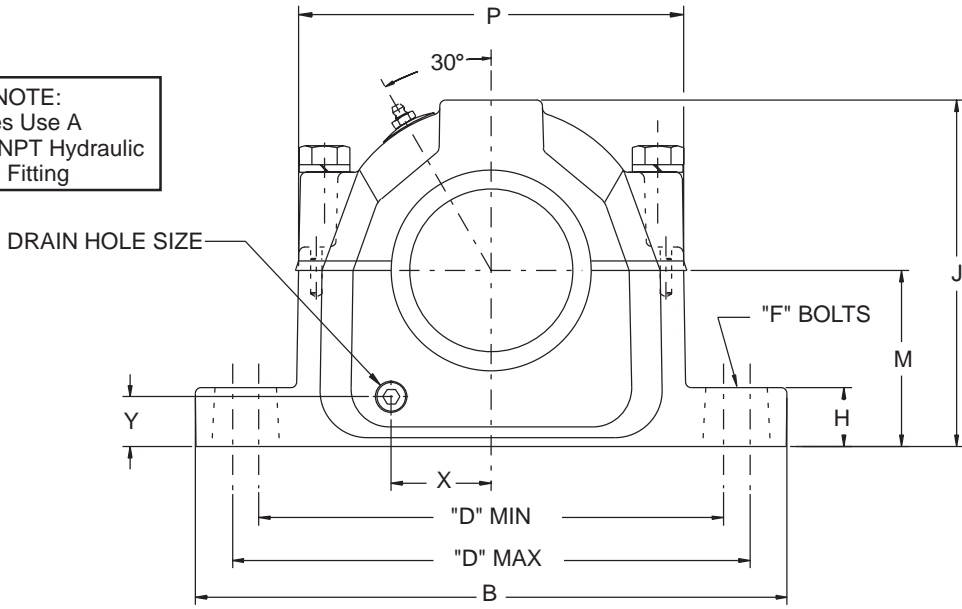


# SELECTION/DIMENSIONS



## USAF 500 Housing Dimensions

**LUBE NOTE:**  
All Sizes Use A  
1/8-27 NPT Hydraulic  
Grease Fitting



IMPERIAL - ISAF

UNIFIED SAF

International Bearings

Sleeve Bearing

SLEEVOIL

FEATURES/BENEFITS PAGE B11-3	HOW TO ORDER PAGE B11-9	NOMENCLATURE PAGE B11-10	SELECTION/DIMENSIONS PAGE B11-30
---------------------------------	----------------------------	-----------------------------	-------------------------------------

# SELECTION/DIMENSIONS



## USAF 500 Housing Dimensions

S-1 Shaft Size	Housing	A1▲	B	C	D				E	F	
					2-Bolt		4-Bolt			Bolt Dia.	
					Min	Max	Min	Max		2-Bolt	4-Bolt
1-7/16	509	3-7/8	8-1/4	2-3/8	6-1/4	7	-	-	-	1/2	
1-11/16	510	4-1/16	8-1/4	2-11/32	6-1/2	7	-	-	-	1/2	
1-15/16	511	4-1/4	9-5/8	2-3/4	7-3/8	8-1/4	-	-	-	5/8	
2-3/16	513	4-41/64	11	3-1/8	8-1/8	9-1/2	8-1/8	9-1/2	1-7/8	5/8	1/2
2-7/16 2-1/2	515	5-13/64	11-1/8	3-1/8	8-5/8	9-5/8	8-5/8	9-5/8	1-7/8	5/8	1/2
2-11/16 2-3/4	516	5-7/16	12-19/32	3-1/2	9-5/8	11	9-5/8	11	2-1/8	3/4	5/8
2-15/16 3	517	5-25/64	12-19/32	3-1/2	9-7/8	11	9-7/8	11	2-1/8	3/4	5/8
3-3/16	518	6-5/32	13-5/8	3-7/8	10-1/4	11-3/4	10-3/8	11-5/8	2-1/8	3/4	5/8
3-7/16 3-1/2	520	6-25/32	15-23/64	4-11/32	11-5/8	13-1/8	11-5/8	13-1/8	2-3/8	7/8	3/4
3-15/16 4	522	7-5/64	16-1/2	4-3/4	-	-	12-19/32	14-1/2	2-3/4	-	3/4
4-3/16	524	8-3/64	16-1/2	4-23/32	-	-	13-1/4	14-1/2	2-3/4	-	3/4
4-7/16 4-1/2	526	8-17/64	18-3/8	5-1/8	-	-	14-1/2	16	3-1/4	-	7/8
4-15/16 5	528	8-49/64	19-11/16	5-7/8	-	-	15-5/8	17-3/8	3-3/8	-	1

S-1 Shaft Size	Housing	H	J	K	M	P	Q ★	S ●	W Static Oil Level	X	Y	Drain Hole Size
1-7/16	509	7/8	4-19/64	1-25/32	2-1/4	4-7/8	1-1/32	1/8	59/64	1-3/32	5/8	1/8-27NPSI
1-11/16	510	1-1/32	4-37/64	1-7/8	2-1/2	5-1/8	1-7/64	1/8	1-5/64	1-1/4	13/16	1/8-27NPSI
1-15/16	511	1-1/32	5-1/4	1-31/32	2-3/4	5-25/32	1-13/64	1/8	1-5/32	1-15/16	53/64	1/8-27NPSI
2-3/16	513	1-1/32	5-15/16	2-5/32	3	6-1/2	1-3/8	5/32	1-7/64	1-21/32	25/32	1/8-27NPSI
2-7/16 2-1/2	515	1-1/4	6-7/16	2-5/16	3-1/4	7-1/16	1-25/64	1/8	1-5/32	1-25/32	7/8	1/4-18NPSF
2-11/16 2-3/4	516	1-1/16	6-3/4	2-27/64	3-1/2	7-15/16	1-7/16	3/16	1-1/4	1-31/32	61/64	1/4-18NPSF
2-15/16 3	517	1-1/4	7-3/8	2-15/32	3-3/4	8-3/16	1-1/2	3/16	1-3/8	2-1/8	1-1/16	3/8-18NPSF
3-3/16	518	1-7/16	7-3/4	2-27/32	4	8-21/32	1-23/32	3/16	1-15/32	2-1/4	1-1/8	3/8-18NPSF
3-7/16 3-1/2	520	1-21/32	8-3/4	3-5/32	4-1/2	9-25/32	1-59/64	3/16	1-41/64	2-5/8	1-1/4	3/8-18NPSF
3-15/16 4	522	1-25/32	9-13/32	3-19/64	4-15/16	10-19/32	2-3/32	3/16	1-51/64	2-7/8	1-11/32	3/8-18NPSF
4-3/16	524	1-1/2	10-1/4	3-41/64	5-1/4	11-1/4	2-9/32	3/16	1-27/32	3-3/16	1-3/8	1/2-14NPSF
4-7/16 4-1/2	526	2-1/16	11-17/32	3-3/4	6	12-13/32	2-15/32	3/16	2-11/32	3-5/16	1-5/8	1/2-14NPSF
4-15/16 5	528	2-1/16	11-13/16	4	6	13-1/4	2-29/64	3/16	2-1/32	3-5/8	1-15/32	1/2-14NPSF

- ▲ Housing width with drain plugs
  - ★ Distance shaft should extend beyond housing centerline if pillow block is closed end style
  - Non-expansion bearing offset from centerline. For expansion bearing S = 0
- Dowel hole locations for Precision Positioning, see Page B11-29 - B11-29

FEATURES/BENEFITS PAGE B11-3	HOW TO ORDER PAGE B11-9	NOMENCLATURE PAGE B11-10	SELECTION/DIMENSIONS PAGE B11-30
---------------------------------	----------------------------	-----------------------------	-------------------------------------

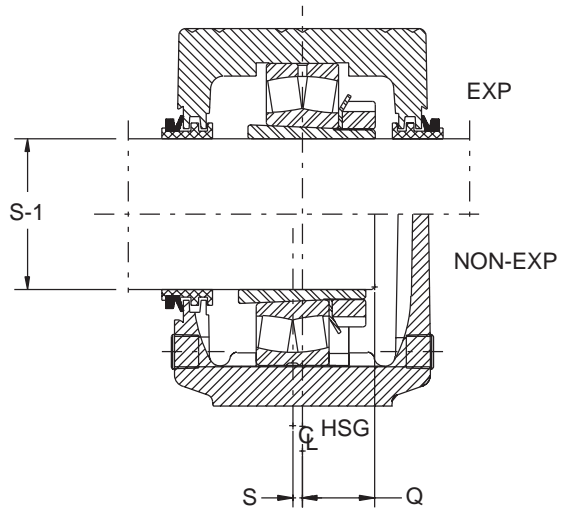
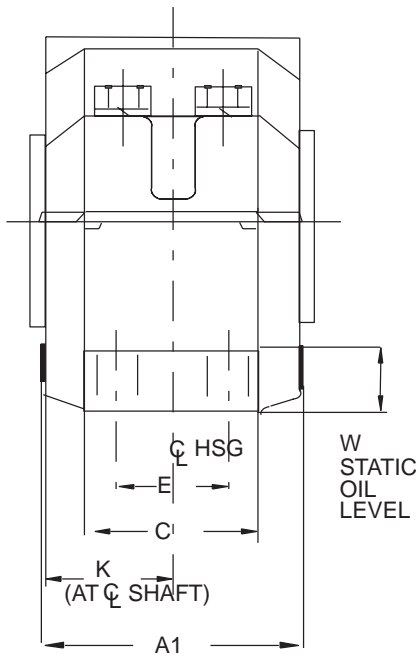
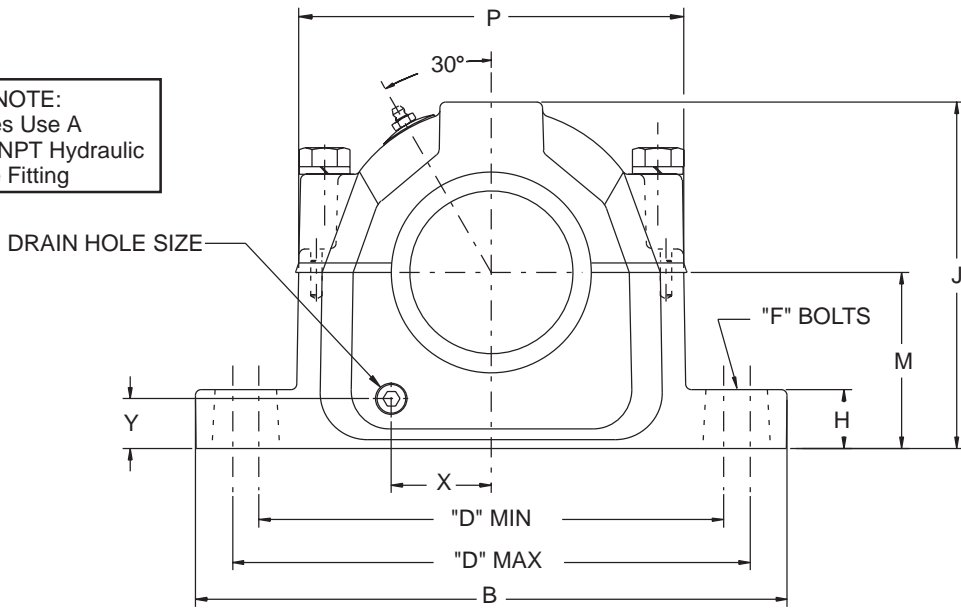


# SELECTION/DIMENSIONS



## USAF 500 Housing Dimensions

**LUBE NOTE:**  
All Sizes Use A  
1/8-27 NPT Hydraulic  
Grease Fitting



IMPERIAL - ISAF

UNIFIED SAF

International Bearings

Sleeve Bearing

SLEEVOIL

FEATURES/BENEFITS PAGE B11-3	HOW TO ORDER PAGE B11-9	NOMENCLATURE PAGE B11-10	SELECTION/DIMENSIONS PAGE B11-30
---------------------------------	----------------------------	-----------------------------	-------------------------------------

# SELECTION/DIMENSIONS



## USAF 500 Housing Dimensions

S-1 Shaft Size	Housing	A1▲	B	C	D				E	F	
					2-Bolt		4-Bolt			Bolt Dia.	
					Min	Max	Min	Max		2-Bolt	4-Bolt
5-3/16	530	9-23/64	20-7/8	6-1/4	-	-	16-3/4	18-1/4	3-3/4	-	1
5-7/16 5-1/2	532	9-59/64	21-21/32	6-1/4	-	-	17-3/8	19-1/4	3-3/4	-	1
5-15/16 6	534	9-29/32	24-3/4	6-3/4	-	-	19-3/8	21-5/8	4-1/4	-	1
6-7/16 6-1/2	536	10-13/32	26-3/4	7-1/8	-	-	20-7/8	23-5/8	4-5/8	-	1
6-15/16 7	538	10-13/16	28	7-1/2	-	-	21-5/8	24-3/8	4-1/2	-	1-1/4
7-3/16	540	11-17/32	28-3/4	8	-	-	22-1/2	25	5	-	1-1/4
7-1/2	544S	12-19/64	32-3/4	8-7/8	-	-	24-3/4	27-7/8	5-1/4	-	1-1/2
7-15/16 8	544										
8-7/16 8-1/2 8-15/16 9	048	11-17/32	28-3/4	8	-	-	22-1/2	25	5	-	1-1/4
9-7/16 9-1/2	052	12-19/64	32-3/4	8-7/8	-	-	24-3/4	27-7/8	5-1/4	-	1-1/2
9-15/16 10	056	13-21/32	34-1/4	9	-	-	26-1/4	29-1/2	5-1/2	-	1-1/2
10-7/16 10-1/2	056L										

S-1 Shaft Size	Housing	H	J	K	M	P	Q★	S●	W Static Oil Level	X	Y	Drain Hole Size
5-3/16	530	2-3/8	12-1/2	4-21/64	6-5/16	14-5/16	2-39/64	3/16	2-1/32	3-19/32	1-21/64	1/2-14NPSF
5-7/16 5-1/2	532	2-11/32	13-5/16	4-5/8	6-11/16	14-29/32	2-31/32	3/16	2-3/32	4-1/32	1-21/64	1/2-14NPSF
5-15/16 6	534	2-7/8	14-9/16	4-5/8	7-1/16	16-13/16	3-1/8	3/16	2-3/16	4-5/32	1-21/64	1/2-14NPSF
6-7/16 6-1/2	536	3	15-1/8	4-7/8	7-1/2	17-3/16	3-5/32	3/16	2-27/64	4-7/32	1-5/8	1/2-14NPSF
6-15/16 7	538	3-1/8	15-13/16	5-1/16	7-7/8	18	3-19/64	3/16	2-17/32	4-3/4	1-39/64	1/2-14NPSF
7-3/16	540	3-3/8	16-5/8	5-7/16	8-1/4	19	3-1/2	3/16	2-15/32	4-29/32	1-17/32	1/2-14NPSF
7-1/2	544S	3-3/4	18-7/8	5-13/16	9-1/2	21-1/4	3-47/64	3/16	3-1/4	5-7/16	2-1/32	1/2-14NPSF
7-15/16 8	544											
8-7/16 8-1/2 8-15/16 9	48	3-3/8	16-5/8	5-7/16	8-1/4	19	3-9/16	0	2-1/4	-	-	-
9-7/16 9-1/2	52	3-3/4	18-7/8	5-13/16	9-1/2	21-1/4	3-7/8	0	2-57/64	-	-	-
9-15/16 10	56	4	20	6-3/8	9-7/8	22-5/16	4	0	2-23/64	-	-	-
10-7/16 10-1/2	056L											

- ▲ Housing width with drain plugs
- ★ Distance shaft should extend beyond housing centerline if pillow block is closed end style
- Non-expansion bearing offset from centerline. For expansion bearing S = 0

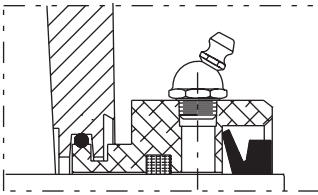
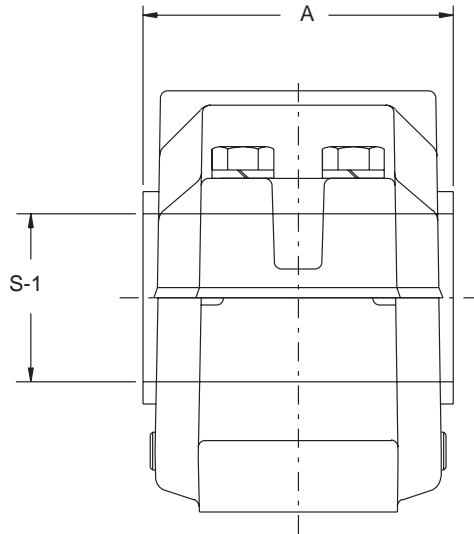
FEATURES/BENEFITS PAGE B11-3	HOW TO ORDER PAGE B11-9	NOMENCLATURE PAGE B11-10	SELECTION/DIMENSIONS PAGE B11-30
---------------------------------	----------------------------	-----------------------------	-------------------------------------

# SELECTION/DIMENSIONS

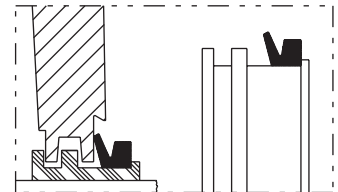


## USAF 500 Pillow Block Seals

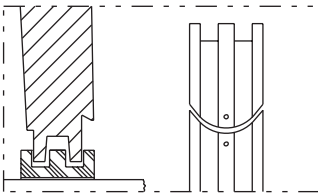
LENGTH THRU BORE W/SEALS



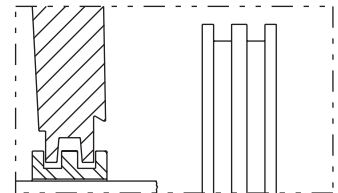
**AUXILIARY TACONITE Seal**  
For dusty environments and low to moderate speeds



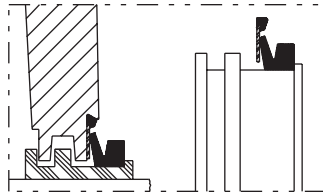
**TRIPLE-TECT Seal**  
General purpose seal for wet or dirty environments



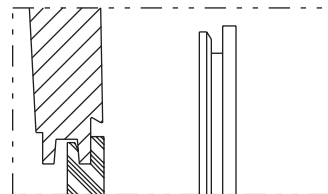
**SPLIT Seal**  
Permits easy installation in hard-to-reach applications without removing shaft. Non-metallic split LER. See page B11-84 for SPLIT Seal part numbers



**LER SEAL**  
High speed seal for relatively clean environments



**DROP-IN TRIPLE-TECT Seal**  
DODGE exclusive. popular TRIPLE-TECT features with simplified installation.



**END COVER Seal**  
Allows use of open shaft housing as closed-end

FEATURES/BENEFITS PAGE B11-3	HOW TO ORDER PAGE B11-9	NOMENCLATURE PAGE B11-10	SELECTION/DIMENSIONS PAGE B11-30
---------------------------------	----------------------------	-----------------------------	-------------------------------------

# SELECTION/DIMENSIONS



## USAF 500 Pillow Block Seals

500 Seals - Inch											
S-1 Shaft size (Inch)	Housing	Seal Group	Part Numbers					A			
			Triple-Tect (TT)	Triple-Tect Drop-in (TTDN)	#Metal Labyrinth (LER)	Auxiliary Taconite (AUX)	End Cover	TT	TTDN	LER	AUX
1-7/16	509	8	043578	-	042193	041685	040700	3-31/32	3-31/32	3-27/64	6-9/16
1-11/16	510	10	043579	-	042199	041686	040701	4-9/64	4-9/64	3-39/64	64-7/64
1-15/16	511	12	043540	039852	042512	041687	040702	4-11/32	4-11/32	3-53/64	6-11/16
2-3/16	513	14	043541	039853	042513	041688	040703	4-23/32	4-23/32	4-3/16	7-9/16
2-7/16	515	20	043542	039538	042514	042380	040704	4-15/16	4-15/16	4-15/32	7-15/32
2-1/2			043543	039854	042515	040890	040704				
2-11/16	516	24	043544	039855	042516	042381	040705	5-21/64	5-21/64	4-23/32	7-23/32
2-3/4			043545	039856	042517	040891	040705				
2-15/16	517	28	043546	039530	042518	042382	040706	5-7/16	57/16	4-53/64	7-61/64
3			043547	039857	042519	040918	040706				
3-3/16	518	34	043548	039858	042520	040892	040707	6-13/64	6-13/64	5-45/64	8-17/64
3-7/16	520	46	043549	039859	042521	042383	040708	6-25/32	6-25/32	6-3/16	9-1/16
3-1/2			043550	039860	042522	040919	040708				
3-15/16	522	50	043551	039861	042523	042384	040709	7-1/6	7-1/8	6-19/32	9-3/64
4			043552	039862	042524	040893	040709				
4-3/16	524	52	043553	039863	042525	044360	040710	7-29/32	7-19/32	7-5/16	-
4-7/16	526	54	043554	039864	042526	042385	040711	8-5/64	8-5/64	7-1/2	10-5/8
4-1/2			043555	039865	042527	042386	040711				
4-15/16	528	56	043556	039866	042528	042387	040712	8-15/32	8-15/32	7-7/8	11-1/8
5			043557	039867	042529	040894	040712				
5-3/16	530	58	043558	-	042530	-	040713	9-9/32	9-9/32	8-45/64	-
5-7/16	532	60	043559	-	042531	042388	040714	9-25/32	9-25/32	9-13/64	11-61/64
5-1/2			043574	-	042532	040895	040714				
5-15/16	534	64	043560	-	042533	042389	040681	9-53/64	9-53/64	9-1/8	11-7/8
6			043561	-	042534	041646	040681				
6-7/16	536	68	043562	-	042535	042390	040682	10-25/64	10-25/64	9-11/16	12-15/16
6-1/2			043563	-	042536	042391	040682				
6-15/16	538	72	043564	-	042537	042392	040683	10-11/16	10-11/16	9-63/64	13-15/64
7			043565	-	042538	043109	040683				
7-3/16	540	74	046421	-	043386	040690	040691	11-7/16	-	10-23/32	15-9/32
7-1/2	544S	76	043567	-	042539	040896	040684	12-1/8	12-1/8	11-13/32	15-31/32 ❖
7-15/16	544	78	043566	-	042540	042393❖	040685				
8			043568	-	042541*	042394❖	040685				
8-7/16	048	90	043569	-	042542*	040897❖	042368	12-1/16	-	11-23/32	15-17/32 ❖
8-1/2			043570	-	042543*	040898❖	042368				
8-15/16			043571	-	042544*	040899❖	042368				
9			043572	-	042545*	040995❖	042368				
9-7/16	052	84	043538	-	042510*	040900❖	422606	12-49/64	-	11-13/32	16-7/32 ❖
9-1/2			422545	-	042594*	040901❖	422606				
9-15/16	056	92	043575	-	042511*	-	042369	13-59/64	-	12-21/32	17-1/8 ❖
10			043573	-	041082*	042395❖	042369				
10-7/16	056L	94	047940	-	042036*	-	042397	14-3/64	-	12-21/32	17-1/8 ❖
10-1/2			047941	-	422573*	042396❖	042397				

❖ Includes collar

# NOTE: LER seals are made from Aluminum unless otherwise noted by the \* symbol.

If an \* appears by the part number, the LER seal is manufactured from Steel.

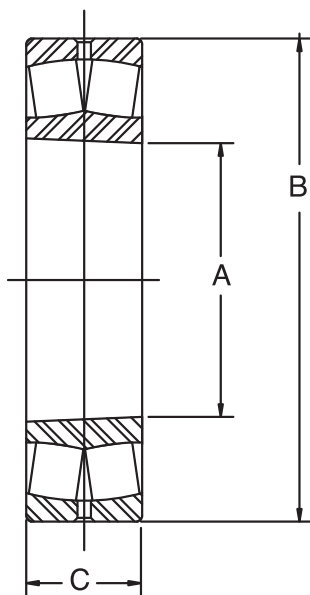
FEATURES/BENEFITS PAGE B11-3	HOW TO ORDER PAGE B11-9	NOMENCLATURE PAGE B11-10	SELECTION/DIMENSIONS PAGE B11-30
---------------------------------	----------------------------	-----------------------------	-------------------------------------



# SELECTION/DIMENSIONS



## USAF 22200K and 23000K Spherical Roller Bearings



IMPERIAL - ISAF

UNIFIED SAF

International Bearings

Sleeve Bearing

SLEEVOIL

FEATURES/BENEFITS  
PAGE B11-3

HOW TO ORDER  
PAGE B11-9

NOMENCLATURE  
PAGE B11-10

SELECTION/DIMENSIONS  
PAGE B11-30



# SELECTION/DIMENSIONS



## USAF 22200K and 23000K Spherical Roller Bearings

S-1 Shaft Size (Inch)	Housing	Bearing No.	Part No.	Approx. Wt. (Lbs)	A Inch (mm)	B Inch (mm)	C Inch (mm)
1-7/16	509	22209K	<b>422134</b>	1.2	1.7717 (45)	3.3465 (85)	.9055 (23)
1-11/16	510	22210K	<b>422137</b>	1.3	1.9685 (50)	3.5233 (90)	.9055 (23)
1-15/16	511	22211K	<b>422123</b>	1.8	2.1654 (55)	3.9370 (100)	.9843 (25)
2-3/16	513	22213K	<b>422124</b>	3.2	2.5591 (65)	4.7244 (120)	1.2205 (31)
2-7/16 2-1/2	515	22215K	<b>422001</b>	3.6	2.9528 (75)	5.1181 (130)	1.2205 (31)
2-11/16 2-3/4	516	22216K	<b>422003</b>	4.4	3.1496 (80)	5.5188 (140)	1.2992 (33)
2-15/16 3	517	22217K	<b>422005</b>	5.5	3.3465 (85)	5.9055 (150)	1.4173 (36)
3-3/16	518	22218K	<b>422007</b>	7.0	3.5433 (90)	6.2992 (160)	1.5748 (40)
3-7/16 3-1/2	520	22220K	<b>422009</b>	10.4	3.9370 (100)	7.0866 (180)	1.8110 (46)
3-15/16 4	522	22222K	<b>422011</b>	14.9	4.3307 (110)	7.8740 (200)	2.0866 (53)
4-3/16	524	22224K	<b>422013</b>	18.7	4.7244 (120)	8.4646 (215)	2.2865 (58)
4-7/16 4-1/2	526	22226K	<b>422015</b>	23.4	5.1181 (130)	9.0551 (230)	2.5197 (64)
4-15/16 5	528	22228K	<b>422017</b>	29.5	5.5118 (140)	9.8425 (250)	2.6772 (68)
5-3/16	530	22230K	<b>422019</b>	37.5	5.9055 (150)	10.6299 (270)	2.8740 (73)
5-7/16 5-1/2	532	22232K	<b>422021</b>	48.1	6.2992 (160)	11.4173 (290)	3.1496 (80)
5-15/16 6	534	22234K	<b>422023</b>	58.0	6.6929 (170)	12.2047 (310)	3.3858 (86)
6-7/16 6-1/2	536	22236K	<b>422025</b>	60.8	7.0866 (180)	12.5984 (320)	3.3858 (86)
6-15/16 7	538	22238K	<b>422027</b>	78.9	7.4803 (190)	13.3858 (340)	3.6220 (92)
7-3/16	540	22240K	<b>422064</b>	94.1	7.8740 (200)	14.1732 (360)	3.8583 (98)
7-1/2	544S	22244K	<b>422029</b>	129.0	8.6614 (220)	14.7480 (400)	4.2520 (108)
7-15/16 8	544						
8-7/16 8-1/2 8-15/16 9	048	23048K	<b>422031</b>	73.4	9.4488 (240)	14.1732 (360)	3.6220 (92)
9-7/16 9-1/2	052	23052K	<b>422543</b>	106.0	10.2362 (260)	15.7480 (400)	4.0945 (104)
9-15/16 10	056	23056K	<b>422030</b>	114.0	11.0236 (280)	16.5354 (430)	4.1732 (106)
10-7/16 10-1/2	056L						

IMPERIAL - ISAF

UNIFIED SAF

International Bearings

Sleeve Bearing

SLEEVOIL

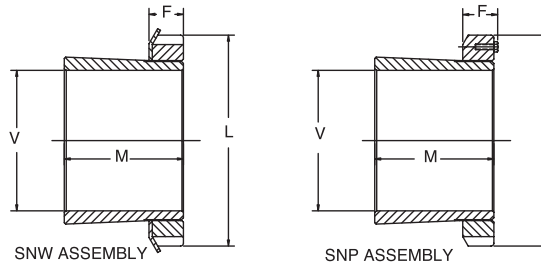
FEATURES/BENEFITS PAGE B11-3	HOW TO ORDER PAGE B11-9	NOMENCLATURE PAGE B11-10	SELECTION/DIMENSIONS PAGE B11-30
---------------------------------	----------------------------	-----------------------------	-------------------------------------



# SELECTION/DIMENSIONS



## USAF 500 Adaptor Assembly (SNW)



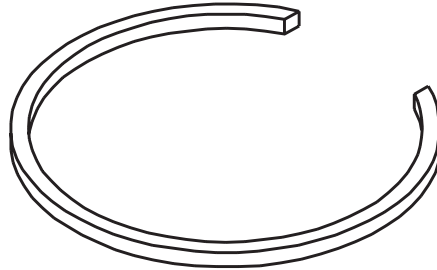
V Shaft Dia. (In)	Housing	SNW/SNP Number	Part Number	Approx Wt. (Lbs)	L (in.)	F Max (in.)	M (in.)
1-7/16	509	H309-SNW-107	<b>046350</b>	1.0	2.53	.52	1.58
1-11/16	510	H310-SNW-111	<b>046351</b>	1.0	2.69	.58	1.77
1-15/16	511	H311-SNW-115	<b>046352</b>	0.8	2.97	.58	1.85
2-3/16	513	H313-SNW-203	<b>046353</b>	1.6	3.38	.64	2.10
2-7/16	515	H315-SNW-207	<b>046354</b>	2.6	3.88	.69	2.29
2-1/2		H315-SMW-208	<b>046355</b>	2.3			
2-11/16	516	H316-SNW-211	<b>046356</b>	2.6	4.16	.69	2.37
2-3/4		H316-SNW-212	<b>046357</b>	2.6			
2-15/16	517	H317-SNW-215	<b>046358</b>	3.0	4.41	.72	2.47
3		H317-SNW-300	<b>046359</b>	2.5			
3-3/16	518	H318-SNW-303	<b>046360</b>	3.1	4.66	.80	2.63
3-7/16	520	H320-SNW-307	<b>046361</b>	4.6	5.19	.83	2.87
3-1/2		H320-SNW-308	<b>046362</b>	4.4			
3-15/16	522	H322-SNW-315	<b>046363</b>	5.6	5.72	.86	3.19
4		H322-SNW-400	<b>046364</b>	5.0			
4-3/16	524	H3124-SNW-403	<b>046430</b>	6.5	6.12	.92	3.47
4-7/16	526	H3126-SNW-407	<b>046431</b>	9.2	6.75	.95	3.76
4-1/2		H3126-SNW-408	<b>046432</b>	8.6			
4-15/16	528	H3128-SNW-415	<b>046433</b>	10.0	7.09	1.02	3.97
5		H3128-SNW-500	<b>046434</b>	9.0			
5-3/16	530	SNW30-503	<b>043618</b>	12.7	7.69	1.08	4.22
5-7/16	532	SNW32-507	<b>043619</b>	15.9	8.06	1.14	4.57
5-1/2		SNW32-508	<b>043634</b>	15.0			
5-15/16	534	SNW34-515	<b>043620</b>	17.6	8.66	1.23	4.83
6		SNW34-600	<b>043621</b>	17.0			
6-7/16	536	SNW36-607	<b>043622</b>	17.0	9.06	1.27	5.02
6-1/2		SNW36-608	<b>043623</b>	18.0			
6-15/16	538	SNW38-615	<b>043624</b>	18.0	9.47	1.30	5.26
7		SNW38-700	<b>043625</b>	17.0			
7-3/16	540	SNW40-703	<b>046545</b>	30.7	9.84	1.36	5.48
7-1/2	544S	SNW44-708	<b>043627</b>	30.2	11.00	1.42	5.90
7-15/16	544	SNW44-715	<b>043626</b>	36.0			
8		SNW44-800	<b>043628</b>	34.7			
8-7/16	048	SNP048-807	<b>043629</b>	38.0	11.44	1.73	5.44
8-1/2		SNP048-808	<b>043630</b>	30.0			
8-15/16		SNP048-815	<b>043631</b>	28.0			
9		SNP048-900	<b>043632</b>	22.0			
9-7/16	052	SNP052-907	<b>043585</b>	41.1	12.19	1.80	6.02
9-1/2		SNP052-908	<b>422538</b>	40.0			
9-15/16	056	SNP056-915	<b>043586</b>	43.7	13.00	1.89	6.19
10		SNP056-1000	<b>043633</b>	42.0			
10-7/16	056L	SNP056-1007	<b>043580</b>	30.0			
10-1/2		SNP056-1008	<b>422567</b>	28.0			

FEATURES/BENEFITS PAGE B11-3	HOW TO ORDER PAGE B11-9	NOMENCLATURE PAGE B11-10	SELECTION/DIMENSIONS PAGE B11-30
---------------------------------	----------------------------	-----------------------------	-------------------------------------

# SELECTION/DIMENSIONS



## USAF Stabilizing Rings



Housing	Stab. Ring No.	Stab. Ring Part No. ▲
509	9-9	041987
510	10-8	042335
511	11-9	042315
513	13-0	042316
515/215	15-0	041174
516/216	16-13	041172
517/217	17-14	041175
518/218	18-15	041173
520/220	20-17	041176
522/222	22-19	041177
524/224	24-20	041185
526/226	26-0	041178
528/228	28-0	041179
530/230	30-0	041186
532/232	32-0	041180
534/234	34-0	041181
536/236	36-30	041184
538/238	38-32	041182
540/240	40-34	046639
544S/544/244	44-38	041183
* 048	A8897	041161
* 052	A8898	422554
* 056/056L	A8819	041213

Housing	Stab. Ring No.	Stab. Ring Part No. ▲
308	10-8	042335
609/309	11-9	042315
610/310	0-10	046642
611/311	6-11	046632
312	15-0	041174
613/313	16-13	041172
314	17-14	041175
615/315	18-15	041173
616/316	19-16	046643
617/317	20-17	041176
620/320	24-20	041185
622/322	0-22	046635
624/324	0-24	046634
626/326	0-26	046637
628/328	0-28	046638
630/330	36-30	041184
632/332	38-32	041182
634/334	40-34	046639
638/338	44-38	041183

\* Two stabilizing rings required per housing

▲ Part numbers for reference only. Housings come equipped with stabilizing rings enclosed

FEATURES/BENEFITS PAGE B11-3	HOW TO ORDER PAGE B11-9	NOMENCLATURE PAGE B11-10	SELECTION/DIMENSIONS PAGE B11-30
---------------------------------	----------------------------	-----------------------------	-------------------------------------

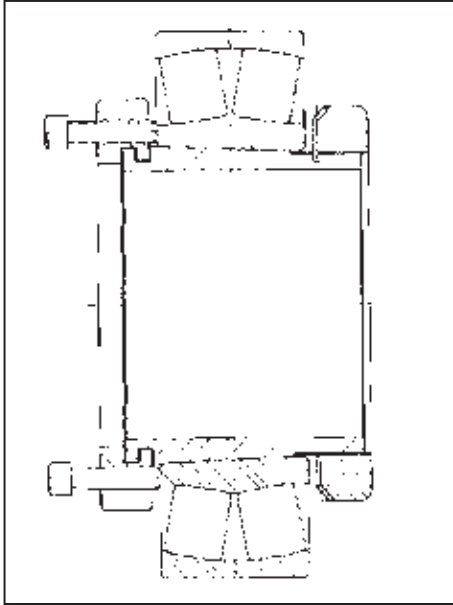
## SELECTION/DIMENSIONS

**DODGE®**

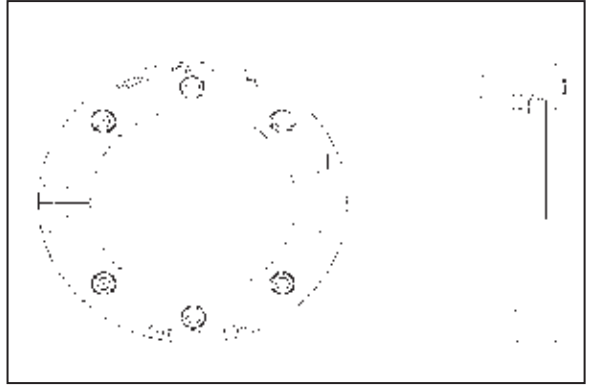


### USAF/SN D-Mount Adapter System

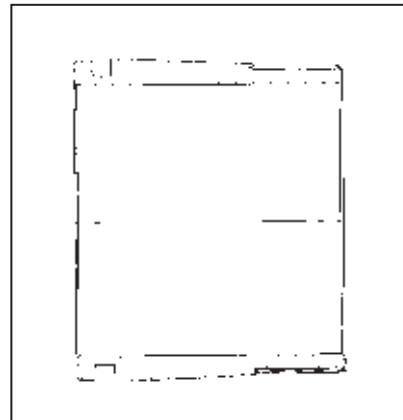
1. Saves time removing bearing from shaft!
2. Reduces the use of blue flame torches!
3. Increases uptime!
4. Lowers maintenance costs!



**D-MOUNT TOOL - SNW - BEARING  
WITH TOOL ASSEMBLED  
READY TO REMOVE BEARING**



**D-MOUNT TOOL**



**D-MOUNT ADAPTER SLEEVE**

Patented tool and adapter sleeve design. For use on 22209K through 22244K size bearings

### HOW IT WORKS

Split D-Mount tool is mounted on D-Mount adapter and uses socket head cap screws to force the inner ring off the taper to unlock the bearing from the adapter sleeve. No additional space allowance is required.

This adapter sleeve is used in place of the standard adapter sleeve.

FEATURES/BENEFITS PAGE B11-3	HOW TO ORDER PAGE B11-9	NOMENCLATURE PAGE B11-10	SELECTION/DIMENSIONS PAGE B11-30
---------------------------------	----------------------------	-----------------------------	-------------------------------------

# SELECTION/DIMENSIONS



## D-MOUNT Adapter System SAF/SN Mounted Bearings PART NUMBERS AND DESCRIPTION

Part No.	Description-Inch
<b>D-Mount Adapter with Removal Feature-USA500</b>	
046960	DH09-SNW-107
046961	DH10-SNW-111
046962	DH11-SNW-115
046963	DH13-SNW-203
046964	DH15-SNW-207
046965	DH15-SNW-208
046966	DH16-SNW-211
046967	DH16-SNW-212
046968	DH17-SNW-215
046969	DH17-SNW-300
046970	DH18-SNW-303
046971	DH20-SNW-307
046972	DH20-SNW-308
046973	DH22-SNW-315
046974	DH22-SNW-400
046975	DH24-SNW-403
046976	DH26-SNW-407
046977	DH26-SNW-408
046978	DH28-SNW-415
046979	DH28-SNW-500
046980	DH30-SNW-503
046981	DH32-SNW-507
046982	DH32-SNW-508
046983	DH34-SNW-515
046984	DH34-SNW-600
046985	DH36-SNW-607
046986	DH36-SNW-608
046987	DH38-SNW-615
046988	DH38-SNW-700
046989	DH40-SNW-703
046991	DH44-SNW-708
046992	DH44-SNW-715
046993	DH44-SNW-800

Part No.	Description-Metric
<b>D-Mount Adapter with Removal Feature-USN500</b>	
047815 *	DH09-SNW-40M
047816 *	DH10-SNW-45M
047817 *	DH11-SNW-50M
047818 *	DH12-SNW-55M
047819 *	DH13-SNW-60M
047820 *	DH15-SNW-65M
047821 *	DH16-SNW-70M
047822 *	DH17-SNW-75M
047823 *	DH18-SNW-80M
047824 *	DH19-SNW-85M
047825 *	DH20-SNW-90M
047826 *	DH22-SNW-100M
047827 *	DH24-SNW-110M
047828 *	DH26-SNW-115M
047829 *	DH28-SNW-125M
047830 *	DH30-SNW-135M
047831 *	DH32-SNW-140M

Part No.	Description
<b>D-Mount Adapter Removal Tools</b>	
046872	D-MOUNT TOOL 09
046873	D-MOUNT TOOL 10
046874	D-MOUNT TOOL 11
046850	D-MOUNT TOOL 12
046875	D-MOUNT TOOL 13
046876	D-MOUNT TOOL 15
046877	D-MOUNT TOOL 16
046878	D-MOUNT TOOL 17
046879	D-MOUNT TOOL 18
046851	D-MOUNT TOOL 19
046880	D-MOUNT TOOL 20
046881	D-MOUNT TOOL 22
046882	D-MOUNT TOOL 24
046883	D-MOUNT TOOL 26
046884	D-MOUNT TOOL 28
046885	D-MOUNT TOOL 30
046886	D-MOUNT TOOL 32
046887	D-MOUNT TOOL 34
046891	D-MOUNT TOOL 36
046892	D-MOUNT TOOL 38
046893	D-MOUNT TOOL 40
046894	D-MOUNT TOOL 44

**NOTE:** The D-MOUNT Adapter Sleeve SNW Assembly should be used in place of the standard SNW assembly during installation. The D-MOUNT tool will be needed during removal.

\* Made to order.

FEATURES/BENEFITS PAGE B11-3	HOW TO ORDER PAGE B11-9	NOMENCLATURE PAGE B11-10	SELECTION/DIMENSIONS PAGE B11-30
---------------------------------	----------------------------	-----------------------------	-------------------------------------

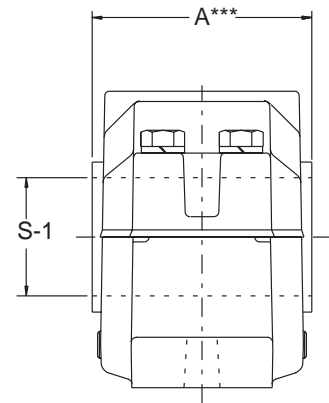
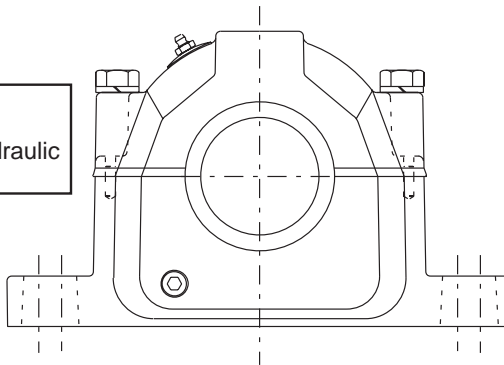


# SELECTION/DIMENSIONS



## USAF 500 Air Handling Pillow Blocks with TRIPLE-TECT Seals

**LUBE NOTE:**  
All Sizes Use A  
1/8-27 NPT Hydraulic  
Grease Fitting



Shaft Dia S-1	Complete Pillow Block Part No.	Housing W/ Stab Ring Part No.	Bearing Part No.	Dynamic Capacity (C), lbs.	Max Rpm (Grease)	SNW Part No.	TRIPLE-TECT Part No.	End Cover Part No.
1-7/16	P2B509-USAF-107TTAH 039100	H2S-509-USAF 043995	BRG22209KC3AH 422980	24,500	5,600	H309-SNW-107 046350	08TT107 043578	EC08 040700
1-11/16	P2B510-USAF-111TTAH 039101	H2S-510-USAF 043996	BRG22210KC3AH 422981	26,000	5,300	H310-SNW-111 046351	10TT111 043579	EC10 040701
1-15/16	P2B511-USAF-115TTAH 039102	H2S-511-USAF 043997	BRG22211KC3AH 422982	31,500	4,500	H311-SNW-115 046352	12TT115 043540	EC12 040702
2-3/16	P2B513-USAF-203TTAH 039103	H2S-513-USAF 043998	BRG22213KC3AH 422983	45,500	3,800	H313-SNW-203 046353	14TT203 043541	EC14 040703
	P4B513-USAF-203TTAH 039113	H4S-513-USAF 039669	BRG22213KC3AH 422983	45,500	3,800	H313-SNW-203 046353	14TT203 043541	EC14 040703
2-7/16	P2B515-USAF-207TTAH 039104	H2S-515-USAF 044000	BRG22215KC3AH 422984	48,000	3,400	H315-SNW-207 046354	20TT207 043542	EC20 040704
	P4B515-USAF-207TTAH 039114	H4S-515-USAF 044003	BRG22215KC3AH 422984	48,000	3,400	H315-SNW-207 046354	20TT207 043542	EC20 040704
2-1/2	P2B515-USAF-208TTAH 039105	H2S-515-USAF 044000	BRG22215KC3AH 422984	48,000	3,400	H315-SNW-208 046355	20TT208 043543	EC20 040704
	P4B515-USAF-208TTAH 039115	H4S-515-USAF 044003	BRG22215KC3AH 422984	48,000	3,400	H315-SNW-208 046355	20TT208 043543	EC20 040704
2-11/16	P2B516-USAF-211TTAH 039106	H2S-516-USAF 044198	BRG22216KC3AH 422985	56,000	3,200	H316-SNW-211 046356	24TT211 043544	EC24 040705
	P4B516-USAF-211TTAH 039116	H4S-516-USAF 044007	BRG22216KC3AH 422985	56,000	3,200	H316-SNW-211 046356	24TT211 043544	EC24 040705
2-3/4	P2B516-USAF-212TTAH 039107	H2S-516-USAF 044198	BRG22216KC3AH 422985	56,000	3,200	H316-SNW-212 046357	24TT212 043545	EC24 040705
	P4B516-USAF-212TTAH 039117	H4S-516-USAF 044007	BRG22216KC3AH 422985	56,000	3,200	H316-SNW-212 046357	24TT212 043545	EC24 040705
2-15/16	P2B517-USAF-215TTAH 039108	H2S-517-USAF 044010	BRG22217KC3AH 422986	68,000	3,000	H317-SNW-215 046358	28TT215 043546	EC28 040706
	P4B517-USAF-215TTAH 039118	H4S-517-USAF 044013	BRG22217KC3AH 422986	68,000	3,000	H317-SNW-215 046358	28TT215 043546	EC28 040706

FEATURES/BENEFITS PAGE B11-3	HOW TO ORDER PAGE B11-9	NOMENCLATURE PAGE B11-10	SELECTION/DIMENSIONS PAGE B11-30
---------------------------------	----------------------------	-----------------------------	-------------------------------------

# SELECTION/DIMENSIONS



## USAF 500 Air Handling Pillow Blocks with TRIPLE-TECT Seals

Shaft Dia S-1	Complete Pillow Block Part No.	Housing W/ Stab Ring Part No.	Bearing Part No.	Dynamic Capacity (C), lbs.	Max Rpm (Grease)	SNW Part No.	TRIPLE-TECT Part No.	End Cover Part No.
3	P2B517-USAF-300TTAH 039109	H2S-517-USAF 044013	BRG22217KC3AH 422986	68,000	3,000	H317-SNW-300 046359	28TT300 043547	EC28 040706
	P4B517-USAF-300TTAH 039119	H4S-517-USAF 044013	BRG22217KC3AH 422986	68,000	3,000	H317-SNW-300 046359	28TT300 043547	EC28 040706
3-3/16	P2B518-USAF-303TTAH 039110	H2S-518-USAF 044199	BRG22218KC3AH 422987	78,000	2,600	H318-SNW-303 046360	34TT303 043548	EC34 040707
	P4B518-USAF-303TTAH 039120	H4S-518-USAF 044114	BRG22218KC3AH 422987	78,000	2,600	H318-SNW-303 046360	34TT303 043548	EC34 040707
3-7/16	P2B520-USAF-307TTAH 039111	H2S-520-USAF 044020	BRG22220KC3AH 422988	96,500	2,200	H320-SNW-307 046361	46TT307 043549	EC46 040708
	P4B520-USAF-307TTAH 039121	H4S-520-USAF 044023	BRG22220KC3AH 422988	96,500	2,200	H320-SNW-307 046361	46TT307 043549	EC46 040708
3-1/2	P2B520-USAF-308TTAH 039112	H2S-520-USAF 044020	BRG22220KC3AH 422988	96,500	2,200	H320-SNW-308 046362	46TT308 043550	EC46 040708
	P4B520-USAF-308TTAH 039122	H4S-520-USAF 044023	BRG22220KC3AH 422988	96,500	2,200	H320-SNW-308 046362	46TT308 043550	EC46 040708
3-15/16	P4B522-USAF-315TTAH 039123	H4S-522-USAF 044025	BRG22222KC3AH 422989	122,000	2,000	H322-SNW-315 046363	50TT315 043551	EC50 040709
4	P4B522-USAF-400TTAH 039124	H4S-522-USAF 044025	BRG22222KC3AH 422989	122,000	2,000	H322-SNW-400 046364	50TT400 043552	EC50 040709
4-3/16	P4B524-USAF-403TTAH 039125	H4S-524-USAF 044202	BRG22224KC3AH 422990	143,000	1,900	H3124-SNW-403 046430	52TT403 043553	EC52 040710
4-7/16	P4B526-USAF-407TTAH 039126	H4S-526-USAF 044031	BRG22226KC3AH 422991	170,000	1,800	H3126-SNW-407 046431	54TT407 043554	EC54 040711
4-1/2	P4B526-USAF-408TTAH 039127	H4S-526-USAF 044031	BRG22226KC3AH 422991	170,000	1,800	H3126-SNW-408 046432	54TT408 043555	EC54 040711
4-15/16	P4B528-USAF-415TTAH 039128	H4S-528-USAF 044034	BRG22228KC3AH 422992	196,000	1,700	H3128-SNW-415 046433	56TT415 043556	EC56 040712
5	P4B528-USAF-500TTAH 039129	H4S-528-USAF 044034	BRG22228KC3AH 422992	196,000	1,700	H3128-SNW-500 046434	56TT500 043557	EC56 040712

FEATURES/BENEFITS PAGE B11-3	HOW TO ORDER PAGE B11-9	NOMENCLATURE PAGE B11-10	SELECTION/DIMENSIONS PAGE B11-30
---------------------------------	----------------------------	-----------------------------	-------------------------------------

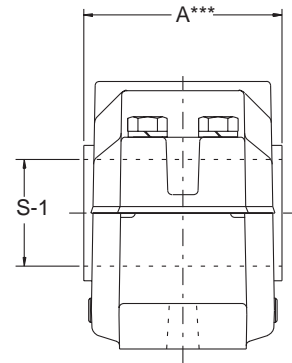
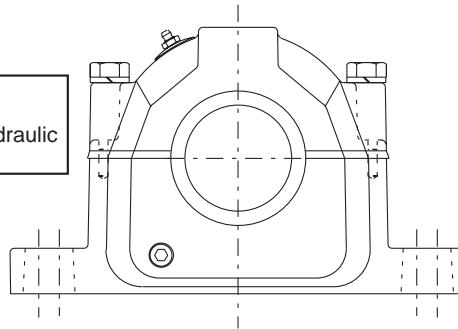


# SELECTION/DIMENSIONS



## USAF 500 Air Handling Pillow Blocks with LER Seals

**LUBE NOTE:**  
All Sizes Use A  
1/8-27 NPT Hydraulic  
Grease Fitting



Shaft Dia S-1	Complete Pillow Block Part No.	Housing W/ Stab Ring Part No.	Bearing Part No.	Dynamic Capacity (C), lbs.	Max Rpm LER (Grease)	SNW Part No.	# LER Part No.	End Cover Part No.
1-7/16	P2B509-USAF-107LERAH 035762	H2S-509-USAF 043995	BRG22209KC3 422980	24,500	5,600	H309-SNW-107 046350	08LER107 042193	EC08 040700
1-11/16	P2B510-USAF-111LERAH 035763	H2S-510-USAF 043996	BRG22210KC3 422981	26,000	5,300	H310-SNW-111 046351	10LER111 042199 *	EC10 040701
1-15/16	P2B511-USAF-115LERAH 035764	H2S-511-USAF 043997	BRG22211KC3 422982	31,500	4,500	H311-SNW-115 046352	12LER115 042512	EC12 040702
2-3/16	P2B513-USAF-203LERAH 035765	H2S-513-USAF 043998	BRG22213KC3 422983	45,500	3,800	H313-SNW-203 046353	14LER203 042513	EC14 040703
	P4B513-USAF-203LERAH 035775	H4S-513-USAF 039669	BRG22213KC3 422983	45,500	3,800	H313-SNW-203 046353	14LER203 042513	EC14 040703
2-7/16	P2B515-USAF-207LERAH 035766	H2S-515-USAF 044000	BRG22215KC3 422984	48,000	3,400	H315-SNW-207 046354	20LER207 042514	EC20 040704
	P4B515-USAF-207LERAH 035776	H4S-515-USAF 044003	BRG22215KC3 422984	48,000	3,400	H315-SNW-207 046354	20LER207 042514	EC20 040704
2-1/2	P2B515-USAF-208LERAH 035767	H2S-515-USAF 044000	BRG22215KC3 422984	48,000	3,400	H315-SNW-208 046355	20LER208 042515	EC20 040704
	P4B515-USAF-208LERAH 035777	H4S-515-USAF 044003	BRG22215KC3 422984	48,000	3,400	H315-SNW-208 046355	20LER208 042515	EC20 040704
2-11/16	P2B516-USAF-211LERAH 035768	H2S-516-USAF 044198	BRG22216KC3 422985	56,000	3,200	H316-SNW-211 046356	24LER211 042516	EC24 040705
	P4B516-USAF-211LERAH 035778	H4S-516-USAF 044007	BRG22216KC3 422985	56,000	3,200	H316-SNW-211 046356	24LER211 042516	EC24 040705
2-3/4	P2B516-USAF-212LERAH 035769	H2S-516-USAF 044198	BRG22216KC3 422985	56,000	3,200	H316-SNW-212 046357	24LER212 042517	EC24 040705
	P4B516-USAF-212LERAH 035779	H4S-516-USAF 044007	BRG22216KC3 422985	56,000	3,200	H316-SNW-212 046357	24LER212 042517	EC24 040705
2-15/16	P2B517-USAF-215LERAH 035770	H2S-517-USAF 044010	BRG22217KC3 422986	68,000	3,000	H317-SNW-215 046358	28LER215 042518	EC28 040706
	P4B517-USAF-215LERAH 035780	H4S-517-USAF 044013	BRG22217KC3 422986	68,000	3,000	H317-SNW-215 046358	28LER215 042518	EC28 040706

# NOTE: LER seals are made from Aluminum unless otherwise noted by the \* symbol.  
If an \* appears by the part number, the LER seal is manufactured from Steel.

FEATURES/BENEFITS PAGE B11-3	HOW TO ORDER PAGE B11-9	NOMENCLATURE PAGE B11-10	SELECTION/DIMENSIONS PAGE B11-30
---------------------------------	----------------------------	-----------------------------	-------------------------------------



# SELECTION/DIMENSIONS



## USAF 500 Air Handling Pillow Blocks with LER Seals

Shaft Dia S-1	Complete Pillow Block Part No.	Housing W/ Stab Ring Part No.	Bearing Part No.	Dynamic Capacity (C), lbs.	Max Rpm LER (Grease)	SNW Part No.	# LER Part No.	End Cover Part No.
3	P2B517-USAF-300LERAH 035771	H2S-517-USAF 044010	BRG22217KC3 422986	68,000	3,000	H317-SNW-300 046359	28LER300 042519	EC28 040706
	P4B517-USAF-300LERAH 035781	H4S-517-USAF 044013	BRG22217KC3 422986	68,000	3,000	H317-SNW-300 046359	28LER300 042519	EC28 040706
3-3/16	P2B518-USAF-303LERAH 035772	H2S-518-USAF 044199	BRG22218KC3 422987	78,000	2,600	H318-SNW-303 046360	34LER303 042520	EC34 040707
	P4B518-USAF-303LERAH 035782	H4S-518-USAF 044114	BRG22218KC3 422987	78,000	2,600	H318-SNW-303 046360	34LER303 042520	EC34 040707
3-7/16	P2B520-USAF-307LERAH 035773	H2S-520-USAF 044020	BRG22220KC3 422988	96,500	2,200	H320-SNW-307 046361	46LER307 042521	EC46 040708
	P4B520-USAF-307LERAH 035783	H4S-520-USAF 044023	BRG22220KC3 422988	96,500	2,200	H320-SNW-307 046361	46LER307 042521	EC46 040708
3-1/2	P2B520-USAF-308LERAH 035774	H2S-520-USAF 044020	BRG22220KC3 422988	96,500	2,200	H320-SNW-308 046362	46LER308 042522	EC46 040708
	P4B520-USAF-308LERAH 035784	H4S-520-USAF 044023	BRG22220KC3 422988	96,500	2,200	H320-SNW-308 046362	46LER308 042522	EC46 040708
3-15/16	P4B522-USAF-315LERAH 035785	H4S-522-USAF 044025	BRG22222KC3 422989	122,000	2,000	H322-SNW-315 046363	50LER315 042523	EC50 040709
4	P4B522-USAF-400LERAH 035786	H4S-522-USAF 044025	BRG22222KC3 422989	122,000	2,000	H322-SNW-400 046364	50LER400 042524	EC50 040709
4-3/16	P4B524-USAF-403LERAH 035787	H4S-524-USAF 044202	BRG22224KC3 422990	143,000	1,900	H3124-SNW-403 046430	52LER403 042525	EC52 040710
4-7/16	P4B526-USAF-407LERAH 035788	H4S-526-USAF 044031	BRG22226KC3 422991	170,000	1,800	H3126-SNW-407 046431	54LER407 042526	EC54 040711
4-1/2	P4B526-USAF-408LERAH 035789	H4S-526-USAF 044031	BRG22226KC3 422991	170,000	1,800	H3126-SNW-408 046432	54LER408 042527	EC54 040711
4-15/16	P4B528-USAF-415LERAH 035790	H4S-528-USAF 044034	BRG22228KC3 422992	196,000	1,700	H3128-SNW-415 046433	56LER415 042528	EC56 040712
5	P4B528-USAF-500LERAH 035791	H4S-528-USAF 044034	BRG22228KC3 422992	196,000	1,700	H3128-SNW-500 046434	56LER500 042529	EC56 040712

# NOTE: LER seals are made from Aluminum unless otherwise noted by the \* symbol.  
If an \* appears by the part number, the LER seal is manufactured from Steel.

FEATURES/BENEFITS PAGE B11-3	HOW TO ORDER PAGE B11-9	NOMENCLATURE PAGE B11-10	SELECTION/DIMENSIONS PAGE B11-30
---------------------------------	----------------------------	-----------------------------	-------------------------------------



# SELECTION/DIMENSIONS



## DODGE USAF Air Handling Bearing Assemblies Using 12XX Series Self Aligning Double Row Ball Bearing

Shaft Size	Housing Series	Housing Part No.		Bearing		Adapter Part No.	Seal Part No. # LER (2-Req)	Stab Ring For Fixed Units		
		2-Bolt	4-Bolt	Part No.	Description			Description	Qty Req	Part No.
1-7/16	509	043995	---	052637	1209K.C3	046350	042193	SR-9-0	1	058902
1-11/16	510	043996	---	052638	1210K.C3	046351	042199 *	SR-10-8	1	058903
1-15/16	511	043997	---	052639	1211K.C3	046352	042512	SR-11-9	1	058699
2-3/16	513	043998	039669	052640	1213K.C3	046353	042513	SR-13	2	042316
2-7/16	515	044000	044003	052641	1215K.C3	046354	042514	SR-15-0	2	058904
2-11/16	516	044198	044007	052642	1216K.C3	046356	042516	SR-1516	2	058905
2-15/16	517	044010	044013	052643	1217K.C3	046358	042518	SR-1517	2	058906
3-3/16	518	044199	044114	052570	1218K.C3	046360	042520	SR-1518	2	058907
3-7/16	520	044020	044023	052644	1220K.C3	046361	042521	SR-1520	2	058908
3-15/16	522	---	044025	051841	1222K.C3	046363	042523	SR-1522	2	058909

Standard AH housings come with stabilizing ring for fixing spherical roller bearings.

With the use of the 12xx series ball bearings, if a fixed bearing is required, special stabilizing rings are needed.

Remove standard stab ring, which comes with housing, and replace with the above ball bearing stab rings.

The 4-3/16" unit is not available as fixed unit due to non-standard stab ring width. (2) special width.503-.057" would be needed.

In cases where two stab rings are needed, one should be placed on each side of the bearing.

\* DODGE USAF Air Handling Bearing Assemblies use the USAF 500 Series Housings. See Page B11-40 - B11-43 for dimensions

**# NOTE:** LER seals are made from Aluminum unless otherwise noted by the \* symbol.

If an \* appears by the part number, the LER seal is manufactured from Steel.

### STABILIZING RING DIMENSIONS

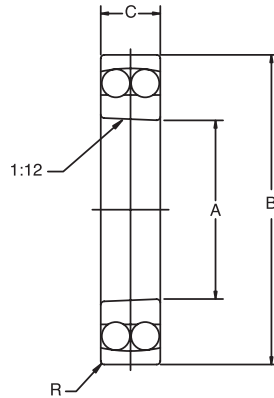
Stab Ring	
O.D.	Width
3.31	.382-.386
3.51	.382-.386
3.9	.382-.386
4.68	.311-.315
5.08	.236-.232
5.47	.326-.330
5.87	.346-.350
6.26	.386-.390
7.04	.425-.429
7.83	.484-.488

FEATURES/BENEFITS PAGE B11-3	HOW TO ORDER PAGE B11-9	NOMENCLATURE PAGE B11-10	SELECTION/DIMENSIONS PAGE B11-30
---------------------------------	----------------------------	-----------------------------	-------------------------------------

# SELECTION/DIMENSIONS



## DODGE USAF Air Handling 1200 Series Self-Aligning Ball Bearing



Shaft Size	Bearing Series	e	FA/FR ≤ e	FA/FR > e	Dynamic Capacity C	Static Capacity C <sub>0</sub>	Maximum RPM	
			Y	Y			Grease	Oil
			107	1209				
111	1210	0.20	3.2	4.9	5100	1830	7000	8500
115	1211	0.19	3.3	5.1	6000	2240	6300	7500
203	1213	0.18	3.6	5.5	6950	2800	5300	6300
207	1215	0.17	3.6	5.6	8800	3450	4800	5600
211	1216	0.16	3.9	6.0	9000	3800	4300	5000
215	1217	0.17	3.7	5.8	11000	4550	4000	4800
303	1218	0.17	3.7	5.8	12900	5300	3800	4500
307	1220	0.18	3.6	5.5	15600	6700	3200	3800
315	1222	0.17	3.6	5.6	19600	8650	2800	3400
403	1224	0.20	3.11	4.81	27000	11800	2800	3400

**Note:**

$P_{eq} = FR + YFA$  when  $FA / FR \leq e$

$P_{eq} = 0.65 FR + YFA$  when  $FA / FR > e$

$L_{10} = (C/P) 3 \times 16667 / \text{RPM}$

**NOTE:** For more information, see Page B11-40 thru B11-43

Shaft	Housing	Bearing No	A		B		C		R	
			Inch	(mm)	Inch	(mm)	Inch	(mm)	Inch	(mm)
107	509	1209K.C3	1.7717	45	3.3465	85	0.7480	19	0.043	1.1
111	510	1210K.C3	1.9685	50	3.5433	90	0.7874	20	0.043	1.1
115	511	1211K.C3	2.1654	55	3.9370	100	0.8268	21	0.059	1.5
203	513	1213K.C3	2.5591	65	4.7244	120	0.9055	23	0.059	1.5
207	515	1215K.C3	2.9528	75	5.1181	130	0.9843	25	0.059	1.5
211	516	1216K.C3	3.1496	80	5.5118	140	1.0236	26	0.079	2.0
215	517	1217K.C3	3.3465	85	5.9055	150	1.1024	28	0.079	2.0
303	518	1218K.C3	3.5433	90	6.2992	160	1.1811	30	0.079	2.0
307	520	1220K.C3	3.9370	100	7.0866	180	1.3386	34	0.083	2.1
315	522	1222K.C3	4.3307	110	7.8740	200	1.4960	38	0.083	2.1
403	524	1224K.C3	4.7244	120	8.4646	215	1.6535	42	0.083	2.1

FEATURES/BENEFITS PAGE B11-3	HOW TO ORDER PAGE B11-9	NOMENCLATURE PAGE B11-10	SELECTION/DIMENSIONS PAGE B11-30
---------------------------------	----------------------------	-----------------------------	-------------------------------------



# SELECTION/DIMENSIONS



## How to Order USAF Smart Stock Selections

### Step 1: The Housing Choices

All smart housings feature an embedded thermocouple.

When speed is monitored, select cast-closed end.

For temperature and/or vibration monitoring without speed, both sides open may be selected

For speed, as well as temperature and vibration monitoring, select cast closed end.

Stab rings are included with all housings.

Size	Housing Series	4B Both Sides Open	4B Cast Close End
		Part No.	Part No.
207	515	067501	067503
215	517	067509	067511
307	520	067517	067519
315	522	067520	067521
407	526	055572	055654
415	528	055734	055906
515	534	057958	055881
615	538	055876	057966

### Step 2: The Sensor Choices

**OR** For speed monitoring use AC prox  
DC prox

**AND/OR** For temperature monitoring, use thermocouple transmitter  
**OR** For speed, temperature and vibration monitoring use EZLINK

If you want to monitor speed through EZLINK, you'll also need to order a cable connector kit and a DC prox

USAF Sensor Kits	Part No.
AC Prox	055940
DC Prox	055945
Thermocouple Transmitter	055931
EZLINK	059652
Cable Connector Kit	063694
4 - 20 ma Accelerometer and Thermocouple	067576

### Step 3: Other Parts You Will Need To Order

If monitoring speed, you will need a special SNW. If you are not monitoring speed, you can use a standard SNW. Special SNW's feature a modified nut with prox targets

#### Bearings

Size	Bearing Series	Part No.
207	22215K	422001
215	22217K	422005
307	22220K	422009
315	22222K	422011
407	22226K	422015
415	22228K	422017
515	22234K	422023
615	22238K	422027

#### Adapters

Size	Special SNW Part No.	Standard SNW Part No.
207	055740	046354
215	055710	046358
307	055714	046361
315	055712	046363
407	055716	046431
415	055907	046433
515	055898	043620
615	067326	043624

#### Seals

Size	TRIPLE-TECT Part No.	Drop-In TRIPLE-TECT Part No.	LER Part No.	Taconite Part No.
207	043542	039538	042514	042380
215	043546	039530	042518	042382
307	043549	039859	042521	042383
315	043551	039861	042523	042384
407	043554	039864	042526	042385
415	043556	039866	042528	042387
515	043560	N/A	042533	042389
615	043564	N/A	042537	042392

For additional details on DODGE Smart Bearings, see brochure DMR 2026-6

FEATURES/BENEFITS PAGE B11-3	HOW TO ORDER PAGE B11-9	NOMENCLATURE PAGE B11-10	SELECTION/DIMENSIONS PAGE B11-30
---------------------------------	----------------------------	-----------------------------	-------------------------------------

# SELECTION/DIMENSIONS



## SAF-XT and SAFS Spherical Roller Bearings

DODGE SAF-XT, and SAFS Spherical Roller Bearings have the capacity to carry heavy radial loads, thrust loads and combined radial and thrust loads. The maximum recommended load which can be applied is limited by various components in the system such as bearing, housing, shaft, shaft attachment, speed and life requirements as listed in this catalog. DODGE Spherical Roller Bearings have been applied successfully when these limits have been exceeded under controlled operating conditions. Contact DODGE Application Engineering (864-284-5700) for applications which exceed the recommendations of this catalog.

Select a bearing from the SAF-XT, and SAFS Spherical Roller Bearing Selection Chart having a radial load rating at the operating speed equal to or greater than the calculated Equivalent Radial Load for a desired  $L_{10}$  life. This simple method is all that is required for the majority of general applications and provides for occasional average shock loads.

**$L_{10}$  Hours Life** - The life which may be expected from at least 90% of a given group of bearings operating under identical conditions.

For  $L_{10}$  hours life other than those listed in the selection chart, multiply the Equivalent Radial Load by one of the following factors. For 20,000  $L_{10}$  hours life use factor of .88; 40,000, 1.09; 60,000, 1.23; 80,000, 1.34. Then select a bearing from the bold face (30,000)  $L_{10}$  ratings only in the selection chart having a rating equal to or greater than this value.

**Heavy Service** - For heavy shock loads, frequent shock loads, or severe vibrations, add up to 50% (according to severity of conditions) to the Equivalent Radial Load to obtain a Modified Equivalent Radial Load. Consult DODGE Application Engineering for additional selection assistance.

Thrust load values shown in the table below are recommended as a guide for general applications that will give adequate  $L_{10}$  life. Where substantial radial load is also

present, it is advisable to calculate actual  $L_{10}$  life to assure that it meets the requirements. The maximum thrust load should not exceed SAF-XT adapter maximum allowable thrust load (Table 8 on page B11-61) nor the pillow block limits shown on page B11-62. The effectiveness of the shaft attachment to carry thrust load depends on proper tightening of the adapter and shaft deflections.

RPM	20-200	201 - 2000	Over 2000
RECOMMENDED THRUST LOAD	C/20	C/40	C/60

\* Compare thrust load to adapter maximum allowed thrust load. If this value is exceeded, auxiliary method of carrying thrust load is required.

The shaft tolerances recommended (page B11-9) are adequate for normal radial and radial/thrust load applications. Since the allowable load, especially at a low speed, is very large, the shaft should be checked to assure adequate shaft strength.

The magnitude and direction of both the thrust and radial load must be taken into account when selecting a housing. **When pillow blocks are utilized, heavy loads should be directed through the base.**

**Where uplift loads are involved, consult DODGE Applications Engineering for recommendations.**

Where a load pulls the housing away from the mounting base, both the hold-down bolts and housing must be of adequate strength. Auxiliary load carrying devices such as shear bars are advisable for side or end loading of pillow blocks.

To determine the  $L_{10}$  hours life for loads and RPM's not listed, use the following equation:

$$L_{10} \text{ Life, Hours} = \left( \frac{C}{P} \right)^{10/3} \times \left( \frac{16667}{\text{RPM}} \right)$$

Where:

C = Dynamic Capacity (Table 14 on page B11-80), lbs.

P = Equivalent Radial Load, lbs.

FEATURES/BENEFITS PAGE B11-3	HOW TO ORDER PAGE B11-9	NOMENCLATURE PAGE B11-10	SELECTION/DIMENSIONS PAGE B11-30
---------------------------------	----------------------------	-----------------------------	-------------------------------------



# SELECTION/DIMENSIONS



## SAF-XT/SAFS Bearings

When the load on a two row roller bearing is solely a radial load with no thrust (axial) load, the load is shared equally by both rows of rollers and the equivalent radial load (P) is equal to the actual radial load. However, when a thrust load is applied, the loading on the two rows is shared unequally, depending on the ratio of thrust to radial load. The use of the X (radial factor) and Y (thrust factor) from Table 14 converts the actual applied loads to an equivalent radial load having the same effect on the life of the bearing as a radial load of this magnitude.

### Equation 1

$$P = XF_R + YF_A$$

Where:

P = Equivalent radial load, lbs

F<sub>R</sub> = Radial load, lbs.

F<sub>A</sub> = Thrust (axial) load, lbs. (\*\* See Note below)

e = Thrust load or radial load factor (Table 14)

X = Radial load factor (Table 14)

Y = Thrust load factor (Table 14)

To find X and Y, first calculate FA/FR and compare to e. Determine X and Y from Table 10: Light thrust FA/FR less than or equal to e or heavy thrust FA/FR greater than e.

Substitute all known values into the equivalent radial load equation. P (equivalent radial load) thus determined can be used in the life formula to determine L<sub>10</sub>, or it can be compared to the allowable equivalent radial load ratings for the speed and hours life desired in the expanded rating table on B11-62 and

**\*\*NOTE:** Spherical bearings require a radial load at least equal to the thrust load for proper operation FA/FR = 1. If the thrust load exceeds this limit, consult DODGE Application Engineering.

L<sub>10</sub> Life Adjustment - The calculated L<sub>10</sub> life obtained from the above procedure is subject to life adjustment factors in accordance with ABMA standards. Consult DODGE Application Engineering for assistance.

IMPERIAL - ISAF

UNIFIED SAF

International Bearings

Sleeve Bearing

SLEEVOIL

FEATURES/BENEFITS PAGE B11-3	HOW TO ORDER PAGE B11-9	NOMENCLATURE PAGE B11-10	SELECTION/DIMENSIONS PAGE B11-30
---------------------------------	----------------------------	-----------------------------	-------------------------------------

# SELECTION/DIMENSIONS



## SAF-XT/SAFS Bearings

**Table 8: Radial and Thrust Factors**

Shaft Size Inch	Basic Bearing Description	e	FA/FR ≤ e		FA/FR ≥ e		★ Adapter. Max. Allow. Thrust Load FA (LBS.)	Dynamic Capacity (C) Lbs.	Static Capacity Co Lbs.	Max. Rpm	
			X	Y	X	Y				Grease	Oil ▲
1-15/16	22211K	0.23	1.00	2.90	0.67	4.30	927	31,500	32,500	4500	5600
2-3/16	22213K	0.24	1.00	2.80	0.67	4.20	1359	45,500	47,500	3800	4500
2-7/16, 2-1/2	22215K	0.22	1.00	3.10	0.67	4.60	1568	48,000	53,000	3400	4300
2-11/16, 2-3/4	22216K	0.22	1.00	3.10	0.67	4.60	1780	56,000	60,000	3200	4000
2-15/16, 3	22217K	0.22	1.00	3.00	0.67	4.50	2063	68,000	73,500	3000	3800
3-3/16	22218K	0.23	1.00	2.90	0.67	4.30	2429	78,000	85,000	2600	3400
3-7/16, 3-1/2	22220K	0.24	1.00	2.80	0.67	4.20	3102	96,500	106,000	2200	3000
3-15/16, 4	22222K	0.25	1.00	2.70	0.67	4.10	3931	122,000	134,000	2000	2800
4-3/16	22224K	0.25	1.00	2.70	0.67	4.00	4693	143,000	166,000	1900	2400
4-7/16, 4-1/2	22226K	0.26	1.00	2.60	0.67	3.90	5610	170,000	200,000	1800	2200
4-15/16, 5	22228K	0.25	1.00	2.70	0.67	4.00	6419	196,000	236,000	1700	2000
5-3/16	22230K	0.25	1.00	2.70	0.67	4.00	7383	228,000	275,000	1600	1900
5-7/16, 5-1/2	22232K	0.26	1.00	2.60	0.67	3.90	8630	260,000	315,000	1500	1800
5-15/16, 6	22234K	0.26	1.00	2.60	0.67	3.90	9858	300,000	355,000	1300	1700
6-7/16, 6-1/2	22236K	0.25	1.00	2.70	0.67	4.00	10437	305,000	375,000	1300	1600
6-15/16, 7	22238K	0.28	1.00	2.40	0.67	3.60	11786	270,000	415,000	1200	1300
7-1/2, 7-15/16, 8	22244K	0.29	1.00	2.30	0.67	3.50	16020	365,000	550,000	950	1000
8-7/16, 8-1/2, 8-15/16, 9	23048K	0.25	1.00	2.70	0.67	4.10	14887	260,000	490,000	800	1000
9-7/16, 9-1/2	23052K	0.26	1.00	2.60	0.67	3.90	18232	340,000	630,000	750	950
9-15/16, 10, 10-7/16, 10-1/2	23056K	0.25	1.00	2.70	0.67	4.10	20012	345,000	670,000	700	900

Comparing Spherical to Roller Bearing: The dynamic capacity C (spherical) and C90 (taper) are not to the same base. To compare basic dynamic capacities multiply C x .259 and compare to C90. To select and then compare, use the complete selection procedure for each bearing and then compare

▲ For shaft size 1-7/16 through 4-3/16 inclusive TRIPLE-TECT seals will perform like LER seals when operating above the grease speed limit

★ If thrust load exceeds adapter maximum allowable thrust load, auxiliary method of carrying thrust load required.

FEATURES/BENEFITS PAGE B11-3	HOW TO ORDER PAGE B11-9	NOMENCLATURE PAGE B11-10	SELECTION/DIMENSIONS PAGE B11-30
---------------------------------	----------------------------	-----------------------------	-------------------------------------



# SELECTION/DIMENSIONS



## SAF-XT and SAFS Spherical Roller Bearings

Table 9: Selection Table

Shaft Size		L10 Life Hours	Allowable Equivalent Radial Load Rating (Lbs.) at Various Revolutions Per Minute															
Adapter Mount (Inches)	Bearing Series		50	100	250	500	750	950	1,300	1,500	1,800	2,000	2,600	3,000	3,200	3,400	4500	5,600
1-15/16	22211	10,000	11,355	9,223	7,006	5,691	5,039	4,694	4,273	4,093	3,875	3,755	3,470	3,325	3,261	3,202	2,944	2,757
		<b>30,000</b>	<b>8,167</b>	<b>6,633</b>	<b>5,039</b>	<b>4,093</b>	<b>3,624</b>	<b>3,376</b>	<b>3,073</b>	<b>2,944</b>	<b>2,787</b>	<b>2,700</b>	<b>2,496</b>	<b>2,391</b>	<b>2,345</b>	<b>2,303</b>	<b>2,117</b>	<b>1,983</b>
		60,000	6,633	5,388	4,093	3,325	2,944	2,742	2,496	2,391	2,264	2,193	2,027	1,942	1,905	1,871	1,720	1,611
2-3/16	22213	10,000	16,401	13,322	10,120	8,220	7,279	6,780	6,171	5,912	5,597	5,423	5,013	4,802	4,710	4,625	4,252	
		<b>30,000</b>	<b>11,796</b>	<b>9,581</b>	<b>7,279</b>	<b>5,912</b>	<b>5,235</b>	<b>4,877</b>	<b>4,439</b>	<b>4,252</b>	<b>4,026</b>	<b>3,901</b>	<b>3,605</b>	<b>3,454</b>	<b>3,388</b>	<b>3,327</b>	<b>3,058</b>	
		60,000	9,581	7,783	5,912	4,802	4,252	3,961	3,605	3,454	3,270	3,168	2,928	2,805	2,752	2,702	2,484	
2-7/16 2-1/2	22215	10,000	17,302	14,054	10,676	8,672	7,679	7,153	6,511	6,237	5,905	5,721	5,288	5,066	4,969	4,879		
		<b>30,000</b>	<b>12,444</b>	<b>10,108</b>	<b>7,679</b>	<b>6,237</b>	<b>5,523</b>	<b>5,145</b>	<b>4,683</b>	<b>4,486</b>	<b>4,247</b>	<b>4,115</b>	<b>3,803</b>	<b>3,644</b>	<b>3,574</b>	<b>3,509</b>		
		60,000	10,108	8,210	6,237	5,066	4,486	4,179	3,803	3,644	3,450	3,342	3,089	2,959	2,903	2,850		
2-11/16 2-3/4	22216	10,000	20,186	16,396	12,456	10,117	8,958	8,345	7,596	7,276	6,889	6,675	6,170	5,910	5,797	5,692		
		<b>30,000</b>	<b>14,518</b>	<b>11,793</b>	<b>8,958</b>	<b>7,276</b>	<b>6,443</b>	<b>6,002</b>	<b>5,463</b>	<b>5,233</b>	<b>4,955</b>	<b>4,801</b>	<b>4,437</b>	<b>4,251</b>	<b>4,169</b>	<b>4,094</b>		
		60,000	11,793	9,579	7,276	5,910	5,233	4,875	4,437	4,251	4,025	3,899	3,604	3,453	3,387	3,325		
2-15/16 3	22217	10,000	24,512	19,910	15,125	12,285	10,878	10,133	9,223	8,836	8,365	8,105	7,492	7,177	7,039	6,912		
		<b>30,000</b>	<b>17,629</b>	<b>14,320</b>	<b>10,878</b>	<b>8,836</b>	<b>7,824</b>	<b>7,288</b>	<b>6,634</b>	<b>6,355</b>	<b>6,017</b>	<b>5,829</b>	<b>5,388</b>	<b>5,162</b>	<b>5,063</b>	<b>4,971</b>		
		60,000	14,320	11,631	8,836	7,177	6,355	5,920	5,388	5,162	4,887	4,735	4,377	4,193	4,112	4,038		
3-3/16	22218	10,000	28,116	22,838	17,349	14,092	12,478	11,623	10,580	10,135	9,596	9,297	8,593	8,232	8,074	7,929		
		<b>30,000</b>	<b>20,222</b>	<b>16,425</b>	<b>12,478</b>	<b>10,135</b>	<b>8,974</b>	<b>8,360</b>	<b>7,609</b>	<b>7,289</b>	<b>6,901</b>	<b>6,687</b>	<b>6,180</b>	<b>5,921</b>	<b>5,807</b>	<b>5,703</b>		
		60,000	16,425	13,342	10,135	8,232	7,289	6,790	6,180	5,921	5,606	5,431	5,020	4,809	4,717	4,632		
3-7/16 3-1/2	22220	10,000	34,785	28,254	21,464	17,434	15,437	14,380	13,089	12,539	11,871	11,502	10,631	10,185				
		<b>30,000</b>	<b>25,018</b>	<b>20,321</b>	<b>15,437</b>	<b>12,539</b>	<b>11,103</b>	<b>10,343</b>	<b>9,414</b>	<b>9,018</b>	<b>8,538</b>	<b>8,273</b>	<b>7,646</b>	<b>7,325</b>				
		60,000	20,321	16,506	12,539	10,185	9,018	8,401	7,646	7,325	6,935	6,719	6,211	5,950				
3-15/16 4	22222	10,000	43,977	35,720	27,135	22,041	19,516	18,180	16,548	15,852	15,008	14,541	13,441					
		<b>30,000</b>	<b>31,629</b>	<b>25,691</b>	<b>19,516</b>	<b>15,852</b>	<b>14,037</b>	<b>13,076</b>	<b>11,901</b>	<b>11,401</b>	<b>10,794</b>	<b>10,459</b>	<b>9,667</b>					
		60,000	25,691	20,868	15,852	12,876	11,401	10,621	9,667	9,261	8,768	8,495	7,852					
4-3/16	22224	10,000	51,547	41,869	31,806	25,835	22,876	21,310	19,396	18,581	17,592	17,045						
		<b>30,000</b>	<b>37,074</b>	<b>30,113</b>	<b>22,876</b>	<b>18,581</b>	<b>16,453</b>	<b>15,326</b>	<b>13,950</b>	<b>13,364</b>	<b>12,652</b>	<b>12,259</b>						
		60,000	30,113	24,460	18,581	15,092	13,364	12,449	11,331	10,855	10,277	9,957						
4-7/16 4-1/2	22226	10,000	61,279	49,774	37,812	30,712	27,195	25,333	23,058	22,089	20,913	20,263						
		<b>30,000</b>	<b>44,074</b>	<b>35,799</b>	<b>27,195</b>	<b>22,089</b>	<b>19,559</b>	<b>18,220</b>	<b>16,584</b>	<b>15,887</b>	<b>15,041</b>	<b>14,573</b>						
		60,000	35,799	29,078	22,089	17,942	15,887	14,799	13,470	12,904	12,217	11,837						
4-15/16 5	22228	10,000	70,652	57,387	43,594	35,410	31,354	29,208	26,585	25,467	24,112	23,362						
		<b>30,000</b>	<b>50,814</b>	<b>41,274</b>	<b>31,354</b>	<b>25,467</b>	<b>22,551</b>	<b>21,007</b>	<b>19,120</b>	<b>18,317</b>	<b>17,342</b>	<b>16,802</b>						
		60,000	41,274	33,525	25,467	20,686	18,317	17,063	15,530	14,878	14,086	13,648						
5-3/16	22230	10,000	82,187	66,756	50,712	41,191	36,473	33,976	30,925	29,625	28,049	27,176						
		<b>30,000</b>	<b>59,111</b>	<b>48,013</b>	<b>36,473</b>	<b>29,625</b>	<b>26,232</b>	<b>24,436</b>	<b>22,242</b>	<b>21,307</b>	<b>20,173</b>	<b>19,545</b>						
		60,000	48,013	38,998	29,625	24,063	21,307	19,849	18,066	17,307	16,386	15,876						
5-7/16 5-1/2	22232	10,000	93,722	76,126	57,829	46,972	41,592	38,745	35,265	33,783	31,985							
		<b>30,000</b>	<b>67,407</b>	<b>54,751</b>	<b>41,592</b>	<b>33,783</b>	<b>29,914</b>	<b>27,866</b>	<b>25,364</b>	<b>24,298</b>	<b>23,004</b>							
		60,000	54,751	44,472	33,783	27,441	24,298	22,634	20,602	19,736	18,685							

**Note:** Dark Shaded Areas Require Circulating Oil  
Light Shaded Areas Require Static Oil

FEATURES/BENEFITS PAGE B11-3	HOW TO ORDER PAGE B11-9	NOMENCLATURE PAGE B11-10	SELECTION/DIMENSIONS PAGE B11-30
---------------------------------	----------------------------	-----------------------------	-------------------------------------



# SELECTION/DIMENSIONS



## SAF-XT and SAFS Spherical Roller Bearings

Table 9 (Continued): Selection Table

Shaft Size		L10 Life Hours	Allowable Equivalent Radial Load Rating (Lbs.) at Various Revolutions Per Minute															
Adapter Mount (Inches)	Bearing Series		50	100	250	500	750	950	1,300	1,500	1,800	2,000	2,600	3,000	3,200	3,400	4500	5,600
5 -15/16 6	22234	10,000	108,140	87,837	66,726	54,199	47,991	44,706	40,691	38,981								
		<b>30,000</b>	<b>77,777</b>	<b>63,175</b>	<b>47,991</b>	<b>38,981</b>	<b>34,516</b>	<b>32,153</b>	<b>29,266</b>	<b>28,036</b>								
		60,000	63,175	51,314	38,981	31,662	28,036	26,117	23,771	22,772								
6 -7/16 6 1/2	22236	10,000	109,943	89,301	67,838	55,102	48,791	45,451	41,369	39,631								
		<b>30,000</b>	<b>79,073</b>	<b>64,227</b>	<b>48,791</b>	<b>39,631</b>	<b>35,092</b>	<b>32,689</b>	<b>29,753</b>	<b>28,503</b>								
		60,000	64,227	52,169	39,631	32,190	28,503	26,552	24,167	23,152								
6 -15/16 7	22238	10,000	97,326	79,053	60,054	48,779	43,192	40,235	36,622									
		<b>30,000</b>	<b>69,999</b>	<b>56,857</b>	<b>43,192</b>	<b>35,083</b>	<b>31,065</b>	<b>28,938</b>	<b>26,339</b>									
		60,000	56,857	46,182	35,083	28,496	25,232	23,505	21,394									
7 -3/16	22240	10,000	108,140	87,837	66,726	54,199	47,991	44,706										
		<b>30,000</b>	<b>77,777</b>	<b>63,175</b>	<b>47,991</b>	<b>38,981</b>	<b>34,516</b>	<b>32,153</b>										
		60,000	63,175	51,314	38,981	31,662	28,036	26,117										
7 -1/2 7 -15/16 8	22244	10,000	131,571	106,869	81,184	65,942	58,389	54,392										
		<b>30,000</b>	<b>94,629</b>	<b>76,862</b>	<b>58,389</b>	<b>47,427</b>	<b>41,995</b>	<b>39,120</b>										
		60,000	76,862	62,432	47,427	38,522	34,110	31,775										
8- 7/16 8- 15/16 9	23048	10,000	93,722	76,126	57,829	46,972	41,592	38,745										
		<b>30,000</b>	<b>67,407</b>	<b>54,751</b>	<b>41,592</b>	<b>33,783</b>	<b>29,914</b>	<b>27,866</b>										
		60,000	54,751	44,472	33,783	27,441	24,298	22,634										
9- 7/16 9-1/2	23052	10,000	122,559	99,549	75,623	61,425	54,390	50,666										
		<b>30,000</b>	<b>88,147</b>	<b>71,598</b>	<b>54,390</b>	<b>44,178</b>	<b>39,118</b>	<b>36,440</b>										
		60,000	71,598	58,155	44,178	35,884	31,774	29,599										
9 -15/16 10 10 -7/16 10-1/2	23056	10,000	124,361	101,013	76,735	62,328	55,190											
		<b>30,000</b>	<b>89,444</b>	<b>72,651</b>	<b>55,190</b>	<b>44,828</b>	<b>39,694</b>											
		60,000	72,651	59,011	44,828	36,412	32,241											

**Note:** Dark Shaded Areas Require Circulating Oil  
Light Shaded Areas Require Static Oil

IMPERIAL - ISAF

UNIFIED SAF

International Bearings

Sleeve Bearing

SLEEVOIL

FEATURES/BENEFITS PAGE B11-3	HOW TO ORDER PAGE B11-9	NOMENCLATURE PAGE B11-10	SELECTION/DIMENSIONS PAGE B11-30
---------------------------------	----------------------------	-----------------------------	-------------------------------------



# SELECTION/DIMENSIONS



## Pillow Block Housing Permissible Thrust Load\*

(lbs Maximum)

Shaft Size - Inches	HSG. No.	Bearing Type			
		SAF-XT		SAFS	
		2-Bolt	4-Bolt	2-Bolt	4-Bolt
1-3/16	507	-	-	2900	-
1-7/16	509	-	-	3100	-
1-11/16	510	-	-	2800	-
1-15/16	511	4700	-	4600	-
2-3/16	513	4800	-	4800	-
2-7/16, 2-1/2	515	4500	5600	4500	5600
2-11/16, 2-3/4	516	6900	9300	6900	9300
2-15/16, 3	517	6500	8700	6500	8700
3-3/16	518	6600	9000	6600	9000
3-7/16, 3-1/2	520	5500	13400	5500	13400
3-15/16, 4	522	-	13300	-	13300
4-3/16	524	-	12500	-	12500
4-7/16, 4-1/2	526	-	9700	-	9800
4-15/16, 5	528	-	14700	-	14700
5-3/16	530	-	14800	-	14800
5-7/16, 5-1/2	532	-	14000	-	14000
5-15/16, 6	534	-	14400	-	14300
6-7/16, 6-1/2	536	-	14200	-	14300
6-15/16, 7	538	-	22800	-	22800
7-1/2, 7-15/16, 8	544	-	32000	-	32000
8-7/16, 8-1/2, 8-15/16, 9	48	-	23000	-	23000
9-7/16, 9-1/2	52	-	32000	-	32000
9-15/16, 10, 10-7/16, 10-1/2	56	-	55000	-	59000

1. When utilizing heavy thrust loads on pillow block housings, the installation will require proper mounting procedures.
2. The pillow block base bolts must be of adequate strength (Grade 8) and properly tightened to the mounting structure.
3. The use of stop bars (shear strips) against pillow block mounting base is required.
4. Shaft shoulder, snap rings or thrust collars should be used to locate the inner ring on the shaft.
5. In all cases where thrust loads are large, the  $L_{10}$  Life of the bearing should be checked for proper selection and life requirements.

\* Spherical bearings require a radial load at least equal to the thrust load for proper operation  $FA/FR \leq 1$ . If the thrust load exceeds this limit, consult DODGE Application Engineering.

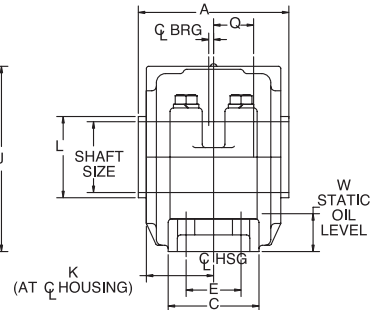
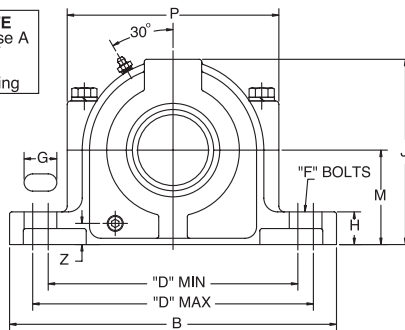
FEATURES/BENEFITS PAGE B11-3	HOW TO ORDER PAGE B11-9	NOMENCLATURE PAGE B11-10	SELECTION/DIMENSIONS PAGE B11-30
---------------------------------	----------------------------	-----------------------------	-------------------------------------

# SELECTION/DIMENSIONS



## SAFS Steel Housing Pillow Blocks (22200K/2300K ADAPTER MOUNT BEARING)

**LUBE NOTE**  
All Sizes Use A  
1/8-27 NPT  
Hydraulic  
Grease Fitting



Shaft Size Inch ▲	Housing No.	Part Numbers				Approx. Wt. lbs.	A with Seals			B	C
		SAFS 2-Bolt		SAFS 4-Bolt			Std.	Optional			
		Complete Pillow Block ★	Housing Only	Complete Pillow Block ★	Housing Only			TRIPLE-TECT	LER/ER		
2-7/16	515	042400	042425	042410	042428	24	5-5/32	4-43/64	7-7/16	11-1/4	3-1/8
2-1/2	515	042401	042425	042411	042428						
2-11/16	516	042407†	044231	042408†	044232	32	5-27/64	4-51/64	7-5/8	13	3-1/2
2-3/4	516	042420†	044231	042421†	044232						
2-15/16	517	042402	042433	042412	042436	35	5-39/64	4-63/64	7-7/8	13	3-1/2
3	517	042403	042433	042413	042436						
3-3/16	518	042424†	044233	042430†	044234	44	6-9/64	5-5/8	8	13-3/4	3-7/8
3-7/16	520	042404	042440	042414	042443	74	6-13/32	5-13/16	8-1/2	15-1/4	4-3/8
3-1/2	520	042405	042440	042415	042443						
3-15/16	522	-	-	042416	042450	97	6-55/64	6-3/8	8-41/64	16-1/2	4-3/4
4	522			042417	042450						
4-3/16	524	-	-	042432†	044235	120	8-1/32	7-7/16	8-57/64	16-1/2	4-3/4
4-7/16	526	-	-	042568	042455	160	8-15/32	7-7/8	9-29/64	18-3/8	5-1/8
4-1/2	526	-	-	042575	042455						
4-15/16	528	-	-	042569	042460	175	8-3/32	7-1/2	10-21/64	20-1/8	5-7/8
5	528			042576	042460						
5-3/16	530	-	-	042439†	044236	220	8-3/4	8-5/32	10-41/64	21-1/4	6-1/4
5-7/16	532	-	-	042570	042465	245	9-7/32	8-5/8	10-29/64	22	6-1/4
5-1/2	532	-	-	042577	042465						
5-15/16	534	-	-	042571	042469	310	9-58/64	9-1/8	11-7/8	24-3/4	6-3/4
6	534			042578	042469						
6-7/16	536	-	-	042572	042468	345	10-11/32	9-5/8	11-25/64	26-3/4	7-1/8
6-1/2	536	-	-	042579	042468						
6-15/16	538	-	-	042573	042472	400	10-27/32	10-1/8	11-5/32	28	7-1/2
7	538	-	-	042580	042472						
7-1/2	544	-	-	042446†	044277	640	12-3/32	11-5/8	13-13/64	32-3/4	8-3/4
7-15/16	544	-	-	042581	042477						
8	544	-	-	042574	044277						

★ Includes: (1) housing with Spacers, (1) Standard Spherical Bearing, (1) SNW Assembly (SNP above 8") and (2) TRIPLE-TECT Seals unless otherwise noted.

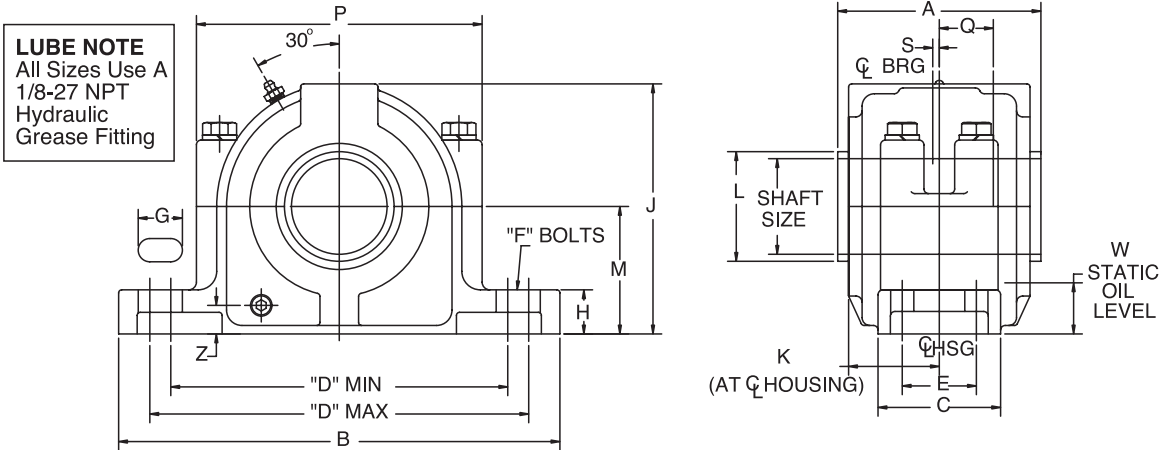
▲ Sizes not listed will be quoted on application  
SAFS 2-Bolt Pillow Block (P2B-SAFS - - -)  
SAFS 4-Bolt Pillow Block (P4B-SAFS - - -)

FEATURES/BENEFITS PAGE B11-3	HOW TO ORDER PAGE B11-9	NOMENCLATURE PAGE B11-10	SELECTION/DIMENSIONS PAGE B11-30
---------------------------------	----------------------------	-----------------------------	-------------------------------------

# SELECTION/DIMENSIONS



## SAFS Steel Housing Pillow Blocks



FEATURES/BENEFITS PAGE B11-3	HOW TO ORDER PAGE B11-9	NOMENCLATURE PAGE B11-10	SELECTION/DIMENSIONS PAGE B11-30
---------------------------------	----------------------------	-----------------------------	-------------------------------------

# SELECTION/DIMENSIONS



## SAFS Steel Housing Pillow Blocks

Shaft Size Inch	Dimension				E	Bolt Dia.		G	H	J	K	L	M	P	Q	S	W	Z
	D					F												
	2-Bolt		4-Bolt			2B	4B											
	Min.	Max.	Min.	Max.														
2-7/16 2-1/2	8-3/4	9-1/2	8-5/8	9-5/8	1-7/8	5/8	1/2	1-1/8	1-1/4	6-7/16	2-5/16	2-51/64	3-1/4	7-1/16	1-11/32	1/8	1-5/32	5/8
2-11/16 2-3/4	10-1/8	10-5/8	9-7/8	10-7/8	2-1/8	3/4	5/8	1-1/4	1-1/2	6-7/8	2-3/8	3-11/64	3-1/2	8	1-15/32	3/16	1-1/4	5/8
2-15/16 3	10-1/4	10-3/4	10	11	2-1/8	3/4	5/8	1-1/8, 2B 1-1/4, 4B	1-1/2	7-3/8	2-15/32	3-27/64	3-3/4	8-1/4	1-9/16	3/16	1-3/8	3/4
3-3/16	10-3/4	11-1/4	10-1/2	11-1/2	2-1/8	3/4	5/8	1-1/4	1-5/8	7-3/4	2-3/4	3-11/16	4	8-1/4	1-45/64	3/16	1-15/32	11/16
3-7/16 3-1/2	11-7/8	12-5/8	11-3/4	12-3/4	2-3/8	7/8	3/4	1-3/8	1-3/4	8-3/4	2-29/32	3-53/64	4-1/2	9-13/16	1-57/64	3/16	1-41/64	15/16
3-15/16 4	-	-	12-7/8	14-1/8	2-3/4	-	3/4	1-1/2	2	9-5/8	3-1/8	4-21/64	4-15/16	10-5/8	2-5/64	3/16	1-51/64	1-1/8
4-3/16	-	-	13-1/4	14-1/2	2-3/4	-	3/4	1-1/2	1-3/4	10-1/4	3-21/32	4-19/32	5-1/4	11-1/2	2-7/32	3/16	1-27/32	1
4-7/16 4-1/2	-	-	14-1/2	16	3-1/4	-	7/8	1-3/4	2-1/2	11-9/16	3-7/8	4-15/16	6	12-13/16	2-13/32	3/16	2-11/32	1-9/32
4-15/16 5	-	-	15-5/8	17-3/8	3-3/8	-	1	2	2-1/2	12	3-11/16	5-23/64	6	13-9/16	2-17/32	3/16	2-1/32	1-3/16
5-3/16	-	-	16-3/4	18-1/2	3-3/4	-	1	2	2-1/2	12-13/16	4-1/16	5-49/64	6-5/16	14-1/2	2-11/16	3/16	2-1/32	1-3/16
5-7/16 5-1/2	-	-	17-3/8	19-1/8	3-3/4	-	1	2	2-3/4	13-11/16	4-1/4	5-7/8	6-11/16	15-1/8	2-57/64	3/16	2-3/32	1-7/32
5-15/16 6	-	-	19-3/8	21-5/8	4-1/4	-	1	2	2-7/8	14-9/16	4-5/8	6-7/16	7-1/16	16-13/16	3-1/8	3/16	2-3/16	1-36/64
6-7/16 6-1/2	-	-	21-3/8	23-1/8	4-5/8	-	1	2	3	15-1/4	4-13/16	6-51/64	7-1/2	17-3/16	3-5/64	3/16	2-27/64	1-3/32
6-15/16 7	-	-	22-1/8	23-7/8	4-1/2	-	1-1/4	2-1/4	3-1/8	16-1/8	5-1/8	7-3/8	7-7/8	17-7/8	3-15/64	3/16	2-17/32	1-5/16
7-1/2 7-15/16 8	-	-	25-1/8	27-7/8	5-1/4	-	1-1/2	3	3-7/8	19-1/4	5-3/4	7-15/16 8-21/64	9-1/2	20-3/4	3-41/64	3/16	3-1/4	1-7/8

- ◆ Distance shaft should extend beyond housing centerline of pillow block is closed end style.
- ★ Non-expansion bearing offset from centerline. For Expansion Bearing S = 0.
- Based on TRIPLE-TECT seals.

FEATURES/BENEFITS PAGE B11-3	HOW TO ORDER PAGE B11-9	NOMENCLATURE PAGE B11-10	SELECTION/DIMENSIONS PAGE B11-30
---------------------------------	----------------------------	-----------------------------	-------------------------------------

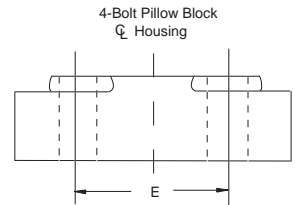
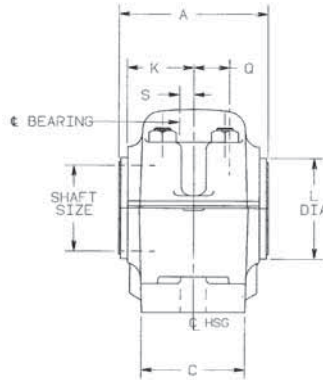
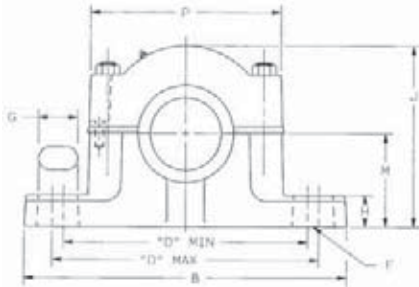


# SELECTION/DIMENSIONS



## SAF-XT Pillow Blocks - 2-Bolt Base (22200K Adapter Mount Bearings)

**LUBE NOTE:**  
All Sizes Use  
A 1/8-27 NPT  
Hydraulic  
Grease Fitting



### (22200K Adapter Mount Bearing)

Shaft Size ▲ Inch	Complete Pillow Block Desig SAF-XT	Part No. ★	Wt.	A			B	C	D		Bolt Dia. F	G	H	J	K	L ▼	M	P	Q ◆	S CL of Housing to CL of Bearing	
				Std. TRIPLE-TECT	Optional				Min.	Max.										Exp. Block	Non-Exp. Block
					LER	AUX.															
1-15/16	22511	042001	17.3	4-9/64	3-5/8	5-35/64	9-5/8	2-3/4	7-1/2	7-3/4	5/8	7/8	15/16	5-1/4	1-27/32	2-19/64	2-3/4	5-5/8	31/32	3/16	19/64
2-3/16	22513	042002	23.8	4-17/32	4	5-13/16	11	3-1/8	8-1/4	9-3/8	5/8	1-5/16	1	5-15/16	2-1/32	2-35/64	3	6-13/32	1-1/8	1/4	25/64
2-7/16	22515	042003	29.7	4-29/32	4-27/64	7-7/16	11-1/4	3-1/8	8-3/4	9-1/2	5/8	1-1/8	1-1/4	6-7/16	2-3/16	2-51/64	3-1/4	7	1-13/64	5/32	17/64
2-1/2		042004	29.6	4-29/32	4-27/64	7-7/16	11-1/4	3-1/8	8-3/4	9-1/2	5/8	1-1/8	1-1/4	6-7/16	2-3/16	2-51/64	3-1/4	7	1-13/64	5/32	17/64
2-11/16	22516	042005	36.3	5-15/64	4-39/64	7-5/8	13	3-1/2	10-1/8	10-5/8	3/4	1-1/8	1-1/2	6-7/8	2-9/32	3-11/64	3-1/2	7-15/16	1-9/32	3/16	3/8
2-3/4		042006	36.1	5-15/64	4-39/64	7-5/8	13	3-1/2	10-1/8	10-5/8	3/4	1-1/8	1-1/2	6-7/8	2-9/32	3-11/64	3-1/2	7-15/16	1-9/32	3/16	3/8
2-15/16	22517	042007	42.3	5-31/64	4-55/64	7-7/8	13	3-1/2	10-1/4	10-3/4	3/4	1-1/8	1-1/2	7-3/8	2-13/32	3-27/64	3-3/4	7-15/16	1-3/8	3/16	3/8
3		042008	42.1	5-31/64	4-55/64	7-7/8	13	3-1/2	10-1/4	10-3/4	3/4	1-1/8	1-1/2	7-3/8	2-13/32	3-27/64	3-3/4	7-15/16	1-3/8	3/16	3/8
3-3/16	22518	042009	52.5	5-61/64	5-7/16	8	13-3/4	3-7/8	10-3/4	11-1/4	3/4	1-1/8	1-5/8	7-3/4	2-21/32	3-11/16	4	8-7/16	1-13/32	19/64	31/64
3-7/16	22520	042010	69.5	6-7/32	5-5/8	8-1/2	15-1/4	4-3/8	11-7/8	12-5/8	7/8	1-3/8	1-3/4	8-3/4	2-3/4	3-53/64	4-1/2	9-7/16	1-17/32	3/8	9/16
3-1/2		042011	69.2	6-7/32	5-5/8	8-1/2	15-1/4	4-3/8	11-7/8	12-5/8	7/8	1-3/8	1-3/4	8-3/4	2-3/4	3-53/64	4-1/2	9-7/16	1-17/32	3/8	9/16

▲ Sizes not listed will be quoted on application.

★ Furnished unless otherwise specified. Includes (1) Housing with Spacer, (1) Standard Spherical Bearing, (1) SNW Assembly and (2) TRIPLE-TECT Seals.

◆ Distance shaft should extend beyond housing centerline (  $C_L$  ) if pillow block is closed end style.

▼ Dimensions shown with TRIPLE-TECT seals installed.

**NOTE:** SAF-XT Pillow Blocks use UNIFIED adaptors, seals and bearings. All UNIFIED 500 Series accessories are available for use with SAF-XT except Drop-In TRIPLE-TECT and SPLIT-SPHER which are UNIFIED exclusives.

FEATURES/BENEFITS PAGE B11-3	HOW TO ORDER PAGE B11-9	NOMENCLATURE PAGE B11-10	SELECTION/DIMENSIONS PAGE B11-30
---------------------------------	----------------------------	-----------------------------	-------------------------------------

# SELECTION/DIMENSIONS



## SAF-XT Pillow Blocks - 4-Bolt Base (22200K/23000K Adapter Mount Bearings)

Shaft Size ▲ Inch	Complete Pillow Block Desig SAF-XT	Part No. P4B-SFXT	Wt.	A			B	C	D		E	Bolt Dia. F	G	H	J	K	L ▼	M	P	Q ◆	S		
				Std. TRIPLE-TECT	Optional				Min.	Max.											C <sub>1</sub> of Housing to C <sub>1</sub> of Bearing	Non-Exp	
					LER	AUX.																	
2-7/16	22515	042015	29.7	4-29/32	4-27/64	7-7/16	11-1/4	3-1/8	8-5/8	9-5/8	1-7/8	1/2	1-1/8	1-1/4	6-7/16	2-3/16	2-51/64	3-1/4	7	1-13/64	5/32	17/64	
2-1/2		042016	29.6																				
2-11/16	22516	042017	36.3	5-15/64	4-39/64	7-5/8	13	3-1/2	9-7/8	10-7/8	2-1/8	5/8	1-1/4	1-1/2	6-7/8	2-9/32	3-11/64	3-1/2	7-15/16	1-9/32	3/16	3/8	
2-3/4		042030	36.1																				
2-15/16	22517	042019	42.3	5-31/64	4-55/64	7-7/8	13	3-1/2	10	11	2-1/8	5/8	1-1/4	1-1/2	7-3/8	2-13/32	3-27/64	3-3/4	7-15/16	1-3/8	3/16	3/8	
3		042020	42.1																				
3-3/16	22518	042021	52.5	5-61/64	5-7/16	8	13-3/4	3-7/8	10-1/2	11-1/2	2-1/8	5/8	1-1/4	1-5/8	7-3/4	2-21/32	3-11/16	4	8-7/16	1-13/32	19/32	31/64	
3-7/16		042022	69.5																				
3-1/2	22520	042023	69.2	6-7/32	5-5/8	8-1/2	15-1/4	4-3/8	11-3/4	12-3/4	2-3/8	3/4	1-3/8	1-3/4	8-3/4	2-3/4	3-53/64	4-1/2	9-7/16	1-17/32	3/8	9/16	
3-15/16		042024	92.9																				
4	22522	042025	92.6	6-51/64	6-5/16	8-41/64	16-1/2	4-3/4	12-7/8	14-1/8	2-3/4	3/4	1-1/2	2	9-5/8	3-1/32	4-21/64	4-15/16	10-9/16	1-47/64	3/8	35/64	
4-3/16		042270	101.8																				
4-7/16	22526	042271	148	7-13/32	6-13/16	9-29/64	18-3/8	5-1/8	14-1/2	16	3-1/4	7/8	1-3/4	2-1/2	11-11/16	3-9/32	4-15/16	6	11-5/8	1-61/64	29/64	41/64	
4-1/2		042272	147.7																				
4-15/16	22528	042273	173.9	7-21/32	7-1/16	10-21/64	20-1/8	5-7/8	15-5/8	17-3/8	3-3/8	1	2	2-1/2	12-1/8	3-13/32	5-23/64	6	12-7/16	2-3/64	1/2	11/16	
5		042274	173.6																				
5-3/16	22530	042282	215	7-31/32	7-3/8	10-41/64	21-1/4	6-1/4	16-3/4	18-1/2	3-3/4	1	2	2-1/2	12-13/16	3-9/16	5-49/64	6-5/16	13-9/16	2-9/64	9/16	3/4	
5-7/16		042283	245																				
5-1/2	22532	042284	244	8-9/32	7-11/16	10-29/64	22	6-1/4	17-3/8	19-1/8	3-3/4	1	2	2-3/4	13-11/16	3-23/32	5-7/8	6-11/16	14-3/16	2-21/64	37/64	49/64	
5-15/16		042303	300																				
6	22534	042304	299	8-21/32	7-15/16	10-45/64	24-3/4	6-3/4	19-5/8	21-3/8	4-1/4	1	2	2-7/8	14-9/16	3-27/32	6-7/16	7-1/16	16-5/16	2-15/32	37/64	25/32	
6-7/16		042305	372																				
6-1/2	22536	042306	371	8-27/32	8-1/8	11-25/64	26-3/4	7-1/8	21-3/8	23-1/8	4-5/8	1	2	3	15-1/4	3-15/16	6-51/64	7-1/2	17-7/8	2-17/32	35/64	3/4	
6-15/16		042307	407																				
7	22538	042308	406	9-11/32	8-5/8	11-15/32	28	7-1/2	22-1/8	23-7/8	4-1/2	1-1/4	2-1/4	3-1/8	16	4-3/16	7-3/8	7-7/8	18-5/16	2-39/64	5/8	13/16	
7-1/2		042309	626																				
7-15/16	22544	042370	625	10-21/32	9-15/16	13-13/64	32-3/4	8-3/4	25-1/8	27-7/8	5-1/4	1-1/2	3	3-7/8	19-1/4	4-27/32	7-15/16	9-1/2	20-5/8	2-59/64	23/32	29/32	
8		042371	624																				
8-7/16	23048	042372†	408	10-1/2	9-1/16	12-37/64	28-3/4	8	22-1/2	25	5	1-1/4	2-3/4	3-1/4	17-1/16	4-13/32	9-21/64	8-1/4	18-5/16	2-15/16	25/32	25/32	
8-1/2		042373	407																				
8-15/16		042374	406																				
9		042375	405																				
9-7/16	23052	042377	624	10-23/64	9-15/16	13-29/64	32-3/4	8-3/4	25-1/8	27-7/8	5-1/4	1-1/2	3	3-7/8	19-1/4	4-27/32	9-63/64	9-1/2	20-5/8	3-7/32	45/64	45/64	
9-1/2		042556	624																				
9-15/16	2356	042378 •	707	13-49/64	12-1/2	15-45/64	32	11-1/4	25-3/4	27-3/4	7-1/4	1-3/4	2-7/8	4	19-7/8	6-5/32	10-3/8	9-1/2	20-3/4	3-13/16	7/8	7/8	
10		042376																					707
10-7/16		042379 •																					707
10-1/2		042572 •																					707

- ▲ Sizes not listed will be quoted on application.
- ★ Includes (1) Housing with Spacer, (1) Standard Spherical Bearing, (1) SNW Assembly (SNP above 8,) and (2) TRIPLE-TECT Seals unless otherwise noted
- ◆ Distance shaft should extend beyond housing centerline ( C<sub>1</sub> ) if pillow block is closed end style.
- ▼ Dimensions shown with TRIPLE-TECT seals installed.
- Made-To-Order - Consult DODGE for delivery
- † Assembled to order. Consult DODGE for delivery

NOTE: SAF-XT Pillow Blocks use USAF 500 adaptors, seals, and bearings. Part numbers for these individual components can be found on Pages B11-30 thru B11-43. All USAF 500 Series accessories are available for use with SAF-XT except Drop-In TRIPLE-TECT seals and SPLIT-SPHER components which are UNIFIED exclusives

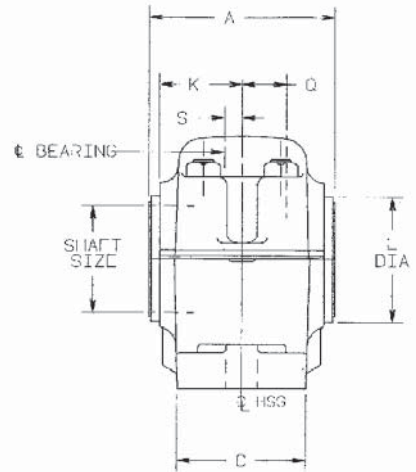
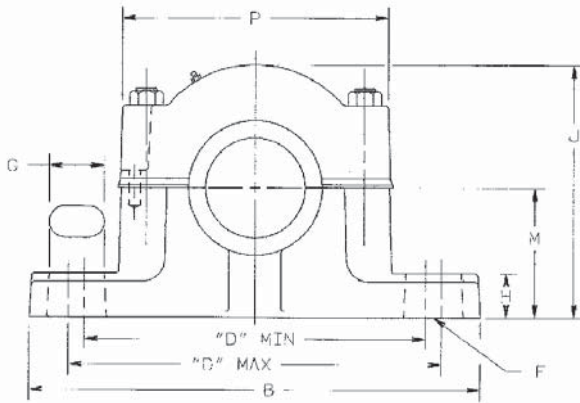
FEATURES/BENEFITS PAGE B11-3	HOW TO ORDER PAGE B11-9	NOMENCLATURE PAGE B11-10	SELECTION/DIMENSIONS PAGE B11-30
---------------------------------	----------------------------	-----------------------------	-------------------------------------

# SELECTION/DIMENSIONS



## SAF-XT Pillow Blocks Housing

**LUBE NOTE:**  
 All Sizes Use  
 A 1/8-27 NPT  
 Hydraulic  
 Grease Fitting



FEATURES/BENEFITS PAGE B11-3	HOW TO ORDER PAGE B11-9	NOMENCLATURE PAGE B11-10	SELECTION/DIMENSIONS PAGE B11-30
---------------------------------	----------------------------	-----------------------------	-------------------------------------



# SELECTION/DIMENSIONS



## SAF-XT Pillow Blocks Housing

S-1 Size Inch (mm)	Shaft Housing	2-Bolt		4-Bolt	
		Part Number	Approx. Wt. (lbs.)	Part Number	Approx. Wt. lbs
1-15/16	511	<b>042100</b>	13.75	-	-
2-3/16	513	<b>042103</b>	18.00	-	-
(55,60)	513M	<b>046323</b>	18.00		
2-7/16, 2-1/2	515	<b>042106</b>	22.75	<b>042109</b>	22.00
(65)	515M	<b>046324</b>	22.00	<b>046325</b>	22.00
2-11/16	516	<b>042111</b>	30.5	<b>042114</b>	30
2-3/4					
2-15/16	517	<b>042116</b>	31.5	<b>042119</b>	32
3					
3-3/16	518	<b>042121</b>	38	<b>042124</b>	40
3-7/16	520	<b>042126</b>	51.5	<b>042129</b>	52
3-1/2					
3-15/16	522	-	-	<b>042131</b>	68
4					
4-3/16	524	-	-	<b>042134</b>	70.007
(110)	524M	-	-	<b>046326</b>	
4-7/16	526	-	-	<b>042137</b>	108
4-1/2					
4-15/16	528	-	-	<b>042140</b>	143
5					
5-3/16	530	-	-	<b>042143</b>	120
5-7/16	532	-	-	<b>042146</b>	168
5-1/2					
5-15/16	534	-	-	<b>042149</b>	220
6					
6-7/16	536	-	-	<b>042152</b>	266
6-1/2					
6-15/16	538	-	-	<b>042155</b>	295
7					
7-1/2	544S	-	-	<b>042167</b>	443
7-15/16	544	-	-	<b>042158</b>	443
8					
8-7/16, 8-1/2	48	-	-	<b>042161</b>	308
8-15/16, 9					
9-7/16	52	-	-	<b>422555</b>	440
9-1/2					
9-15/16	56	-	-	<b>042164</b>	549
10					
10-7/16	056L	-	-	<b>422571</b>	620
10-1/2					

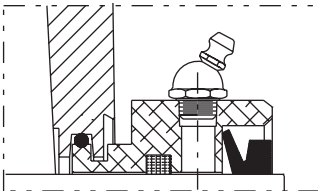
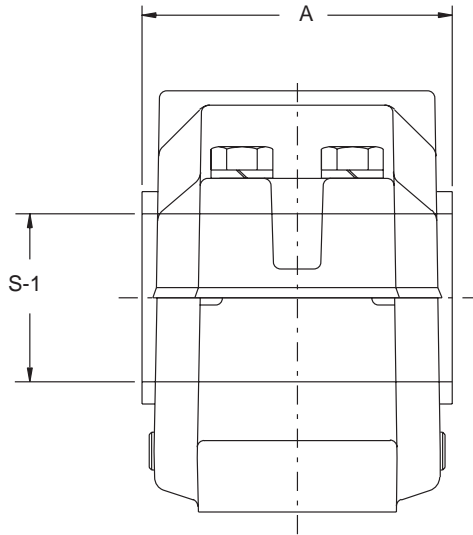
FEATURES/BENEFITS PAGE B11-3	HOW TO ORDER PAGE B11-9	NOMENCLATURE PAGE B11-10	SELECTION/DIMENSIONS PAGE B11-30
---------------------------------	----------------------------	-----------------------------	-------------------------------------

# SELECTION/DIMENSIONS

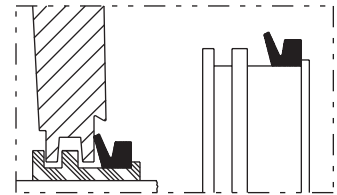


## SAF-XT & SAFS Pillow Block Seals

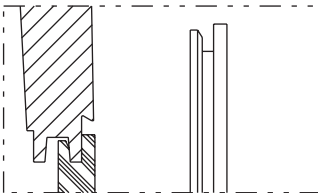
LENGTH THRU BORE W/SEALS



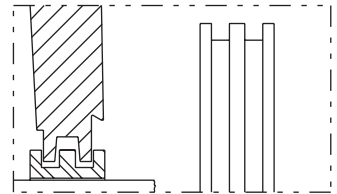
**AUXILIARY TACONITE Seal**  
For dusty environments and low to moderate speeds



**TRIPLE-TECT Seal**  
General purpose seal for wet or dirty environments



**END COVER Seal**  
Allows use of open shaft housing as closed-end



**LER SEAL**  
High speed seal for relatively clean environments

FEATURES/BENEFITS PAGE B11-3	HOW TO ORDER PAGE B11-9	NOMENCLATURE PAGE B11-10	SELECTION/DIMENSIONS PAGE B11-30
---------------------------------	----------------------------	-----------------------------	-------------------------------------

# SELECTION/DIMENSIONS



## SAF-XT & SAFS Pillow Block Seals

500 Seals - Inch						
S-1 Shaft Size (Inch)	Housing	Seal Group	Part Numbers			
			TRIPLE-TECT (TT)	# Metal Labyrinth (LER)	Auxiliary Taconite (AUX)	End Cover
1-15/16	511	12	043540	042512	041687	040702
2-3/16	513	14	043541	042513	041688	040703
2-7/16	515	20	043542	042514	042380	040704
2-1/2			043543	042515	040890	040704
2-11/16	516	24	043544	042516	042381	040705
2-3/4			043545	042517	040891	040705
2-15/16	517	28	043546	042518	042382	040706
3			043547	042519	040918	040706
3-3/16	518	34	043548	042520	040892	040707
3-7/16	520	46	043549	042521	042383	040708
3-1/2			043550	042522	040919	040708
3-15/16	522	50	043551	042523	042384	040709
4			043552	042524	040893	040709
4-3/16	524	52	043553	042525	044360	040710
4-7/16	526	54	043554	042526	042385	040711
4-1/2			043555	042527	042386	040711
4-15/16	528	56	043556	042528	042387	040712
5			043557	042529	040894	040712
5-3/16	530	58	043558	042530	-	040713
5-7/16	532	60	043559	042531	042388	040714
5-1/2			043574	042532	040895	040714
5-15/16	534	64	043560	042533	042389	040681
6			043561	042534	041646	040681
6-7/16	536	68	043562	042535	042390	040682
6-1/2			043563	042536	042391	040682
6-15/16	538	72	043564	042537	042392	040683
7			043565	042538	043109	040683
7-3/16	540	74	046421	043386	040690	040691
7-1/2	544S	76	043567	042539	040896	040684
7-15/16	544	78	043566	042540	042393 ❖	040685
8			043568	042541*	042394 ❖	040685
8-7/16	048	90	043569	042542*	040897 ❖	042368
8-1/2			043570	042543*	040898 ❖	042368
8-15/16			043571	042544*	040899 ❖	042368
9			043572	042545*	040995 ❖	042368
9-7/16	052	84	043538	042510*	040900 ❖	422606
9-1/2			422545	042594*	040901 ❖	422606
9-15/16	056	92	043575	042511*	-	042369
10			043573	041082*	042395 ❖	042369
10-7/16	056L	94	047940	042036*	-	042397
10-1/2			047941	422573*	042396 ❖	042397

❖ Includes collar

# NOTE: LER seals are made from Aluminum unless otherwise noted by the \* symbol.

If an \* appears by the part number, the LER seal is manufactured from Steel.

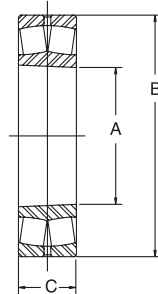
FEATURES/BENEFITS PAGE B11-3	HOW TO ORDER PAGE B11-9	NOMENCLATURE PAGE B11-10	SELECTION/DIMENSIONS PAGE B11-30
---------------------------------	----------------------------	-----------------------------	-------------------------------------



# SELECTION/DIMENSIONS



## SAF-XT & SAFS 22200K and 23000K Spherical Roller Bearings



S-1 Shaft Size (Inch)	Housing	Bearing No.	Part No.	Approx. Wt. (lbs)	A Inch (mm)	B Inch (mm)	C Inch (mm)
1-15/16	511	22211K	<b>422123</b>	1.8	2.1654 (55)	3.9370 (100)	.9843 (25)
2-3/16	513	22213K	<b>422124</b>	3.2	2.5591 (65)	4.7244 (120)	1.2205 (31)
2-7/16	515	22215K	<b>422001</b>	3.6	2.9528 (75)	5.1181 (130)	1.2205 (31)
2-1/2		22216K	<b>422003</b>	4.4	3.1496 (80)	5.5188 (140)	1.2992 (33)
2-11/16	517	22217K	<b>422005</b>	5.5	3.3465 (85)	5.9055 (150)	1.4173 (36)
2-3/4		22218K	<b>422007</b>	7.0	3.5433 (90)	6.2992 (160)	1.5748 (40)
3-3/16	518	22220K	<b>422009</b>	10.4	3.9370 (100)	7.0866 (180)	1.8110 (46)
3-7/16	522	22222K	<b>422011</b>	14.9	4.3307 (110)	7.8740 (200)	2.0866 (53)
3-1/2		22224K	<b>422013</b>	18.7	4.7244 (120)	8.4646 (215)	2.2865 (58)
4-3/16	524	22226K	<b>422015</b>	23.4	5.1181 (130)	9.0551 (230)	2.5197 (64)
4-7/16	526	22228K	<b>422017</b>	29.5	5.5118 (140)	9.8425 (250)	2.6772 (68)
4-1/2		22230K	<b>422019</b>	37.5	5.9055 (150)	10.6299 (270)	2.8740 (73)
4-15/16	528	22232K	<b>422021</b>	48.1	6.2992 (160)	11.4173 (290)	3.1496 (80)
5		22234K	<b>422023</b>	58.0	6.6929 (170)	12.2047 (310)	3.3858 (86)
5-3/16	530	22236K	<b>422025</b>	60.8	7.0866 (180)	12.5984 (320)	3.3858 (86)
5-7/16	532	22238K	<b>422027</b>	78.9	7.4803 (190)	13.3858 (340)	3.6220 (92)
5-1/2		22240K	<b>422064</b>	94.1	7.8740 (200)	14.1732 (360)	3.8583 (98)
5-15/16	534	22244K	<b>422029</b>	129.0	8.6614 (220)	14.7480 (400)	4.2520 (108)
6	544S						
6-7/16	536	23048K	<b>422031</b>	73.4	9.4488 (240)	14.1732 (360)	3.6220 (92)
6-1/2							
6-15/16	048	23052K	<b>422543</b>	106.0	10.2362 (260)	15.7480 (400)	4.0945 (104)
7							
7-3/16	052	23056K	<b>422030</b>	114.0	11.0236 (280)	16.5354 (430)	4.1732 (106)
7-1/2							
7-15/16	056	23056K	<b>422030</b>	114.0	11.0236 (280)	16.5354 (430)	4.1732 (106)
8							
8-7/16	056L	23056K	<b>422030</b>	114.0	11.0236 (280)	16.5354 (430)	4.1732 (106)
8-1/2							
8-15/16	056L	23056K	<b>422030</b>	114.0	11.0236 (280)	16.5354 (430)	4.1732 (106)
9							
9-7/16	052	23052K	<b>422543</b>	106.0	10.2362 (260)	15.7480 (400)	4.0945 (104)
9-1/2							
9-15/16	056	23056K	<b>422030</b>	114.0	11.0236 (280)	16.5354 (430)	4.1732 (106)
10							
10-7/16	056L	23056K	<b>422030</b>	114.0	11.0236 (280)	16.5354 (430)	4.1732 (106)
10-1/2							

FEATURES/BENEFITS  
PAGE B11-3

HOW TO ORDER  
PAGE B11-9

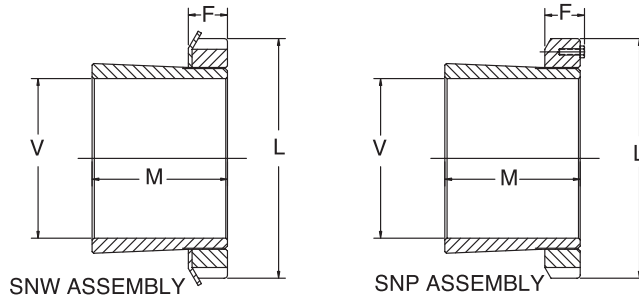
NOMENCLATURE  
PAGE B11-10

SELECTION/DIMENSIONS  
PAGE B11-30

# SELECTION/DIMENSIONS



## SAF-XT & SAFS Adaptor Assembly (SNW)



V Shaft Dia. (In)	Housing	SNW/SNP Number	Part Number	Approx Wt. (Lbs)	L (in.)	F Max (in.)	M (in.)
1-15/16	511	SNW11-115	<b>043600</b>	0.8	2.97	.58	1.85
2-3/16	513	SNW13-203	<b>043601</b>	1.6	3.38	.64	2.10
2-7/16	515	SNW15-207	<b>043602</b>	2.6	3.88	.69	2.29
2-1/2		SMW15-208	<b>043603</b>	2.3			
2-11/16	516	SNW16-211	<b>043604</b>	2.6	4.16	.69	2.37
2-3/4		SNW16-212	<b>043605</b>	2.6			
2-15/16	517	SNW17-215	<b>043606</b>	3.0	4.41	.72	2.47
3		SNW17-300	<b>043607</b>	2.5			
3-3/16	518	SNW18-303	<b>043608</b>	3.1	4.66	.80	2.63
3-7/16	520	SNW20-307	<b>043609</b>	4.6	5.19	.83	2.87
3-1/2		SNW20-308	<b>043610</b>	4.4			
3-15/16	522	SNW22-315	<b>043611</b>	5.6	5.72	.86	3.19
4		SNW22-400	<b>043612</b>	5.0			
4-3/16	524	SNW24-403	<b>043613</b>	6.5	6.12	.92	3.47
4-7/16	526	SNW26-407	<b>043614</b>	9.2	6.75	.95	3.76
4-1/2		SNW26-408	<b>043615</b>	8.6			
4-15/16	528	SNW28-415	<b>043616</b>	10.0	7.09	1.02	3.97
5		SNW28-500	<b>043617</b>	9.0			
5-3/16	530	SNW30-503	<b>043618</b>	12.7	7.69	1.08	4.22
5-7/16	532	SNW32-507	<b>043619</b>	15.9	8.06	1.14	4.57
5-1/2		SNW32-508	<b>043634</b>	15.0			
5-15/16	534	SNW34-515	<b>043620</b>	17.6	8.66	1.23	4.83
6		SNW34-600	<b>043621</b>	17.0			
6-7/16	536	SNW36-607	<b>043622</b>	17.0	9.06	1.27	5.02
6-1/2		SNW36-608	<b>043623</b>	18.0			
6-15/16	538	SNW38-615	<b>043624</b>	18.0	9.47	1.30	5.26
7		SNW38-700	<b>043625</b>	17.0			
7-3/16	540	SNW40-703	<b>046545</b>	30.7	9.84	1.36	5.48
7-1/2	544S	SNW44-708	<b>043627</b>	30.2	11.00	1.42	5.90
7-15/16	544	SNW44-715	<b>043626</b>	36.0			
8		SNW44-800	<b>043628</b>	34.7			
8-7/16	048	SNP048-807	<b>043629</b>	38.0	11.44	1.73	5.44
8-1/2		SNP048-808	<b>043630</b>	30.0			
8-15/16		SNP048-815	<b>043631</b>	28.0			
9		SNP048-900	<b>043632</b>	22.0			
9-7/16	052	SNP052-907	<b>043585</b>	41.1	12.19	1.80	6.02
9-1/2		SNP052-908	<b>422538</b>	40.0			
9-15/16	056	SNP056-915	<b>043586</b>	43.7	13.00	1.89	6.19
10		SNP056-1000	<b>043633</b>	42.0			
10-7/16	056L	SNP056-1007	<b>043580</b>	30.0			
10-1/2		SNP056-1008	<b>422567</b>	28.0			

FEATURES/BENEFITS PAGE B11-3	HOW TO ORDER PAGE B11-9	NOMENCLATURE PAGE B11-10	SELECTION/DIMENSIONS PAGE B11-30
---------------------------------	----------------------------	-----------------------------	-------------------------------------



# SELECTION/DIMENSIONS



## Pillow Block SPLIT-SPHER™ Roller Bearings (USAF 500 SERIES)

DODGE SPLIT-SPHER Roller Bearings have the capacity to carry heavy radial loads and combined radial and thrust loads. The maximum recommended load which can be applied is limited by various components in the system such as bearing, housing, shaft, shaft attachment, speed and life requirements as listed in this catalog. DODGE spherical roller bearings have been applied successfully even when these limits have been exceeded under controlled operating conditions. Contact DODGE Application Engineering (864-284-5700) for applications which exceed the recommendations of this catalog.

**L<sub>10</sub> Hours Life** - The life which may be expected from at least 90% of a given group of bearings operating under identical conditions.

$$L_{10} \text{ Life, Hours} = \left(\frac{C}{P}\right)^{10/3} \times \left(\frac{16667}{\text{RPM}}\right)$$

Where:

C = Dynamic Capacity (Table 11 on page B11-78), lbs.

P = Equivalent Radial Load, lbs.

(See Equation 1 on page B11-78 for definition of P.)

### GENERAL

**Heavy Service** - For heavy shock loads, frequent shock loads, or severe vibrations, increase the Equivalent Radial Load up to 50% (according to severity of conditions) to obtain a Modified Equivalent Radial Load. Consult DODGE Application Engineering for additional selection assistance.

Thrust load values shown in the table below are recommended as a guide for general applications that will give adequate L<sub>10</sub> life. Where substantial radial load is also present, it is advisable to calculate actual L<sub>10</sub> life to assure that the bearing meets the requirements.

RPM	20-200	201 - 2000	Over 2000
RECOMMENDED THRUST LOAD	C/20	C/40	C/60

The shaft tolerances recommended below are adequate for normal radial and radial/thrust load applications. Since the allowable load, especially at a low speed, is very large, the shaft should be checked to assure adequate shaft strength.

The magnitude and direction of both the thrust and radial load must be taken into account when selecting a housing. **When pillow blocks are utilized, heavy loads should be directed through the base. Where uplift loads are involved, see B11-29 for maximum values.** Spherical bearings require a radial load at least equal to the thrust load for proper operation. It is advisable to calculate actual L10 life to assure adequate conditions (normally at least 30,000 hours life). Where a load pulls the housing away from the mounting base, both the hold-down bolts and housing must be of adequate strength. Auxiliary load carrying devices such as shear bars are advisable for side or end loading of pillow blocks

### SHAFT TOLERANCES

Shaft Sizes, Inches	Tolerance, Inches
Up to 1-1/2"	+ .000 - .002"
1-9/16 to 2-1/2"	+ .000 - .003"
2-5/8 to 4"	+ .000 - .004"
4-7/16 to 6"	+ .000 - .005"

\* Use the smaller of this value or the maximum allowable thrust load listed in Table 10.

**NOTE:** Polyamide cages may limit bearing operating temperature.

FEATURES/BENEFITS PAGE B11-3	HOW TO ORDER PAGE B11-9	NOMENCLATURE PAGE B11-10	SELECTION/DIMENSIONS PAGE B11-30
---------------------------------	----------------------------	-----------------------------	-------------------------------------

# SELECTION/DIMENSIONS



## Selecting Bearings - Supporting Radial Loads Only

1. Define the desired  $L_{10}$  Life in Hours.
2. Establish bearing radial load,  $F_R$ .
3. Establish RPM.
4. Calculate the equivalent radial load.  
( $P = F_R \times 1.1\# =$  Equivalent radial load)  
(The DODGE program BEST ♦ can be used to find application loads.)

Using the easy selection Table 12 on page B11-79, under the RPM column find the equivalent load that equals or is slightly higher than the application radial load multiplied by a 1.1 factor for the desired life. The shaft size on the far left will be the minimum shaft size that you can use for your application. If the desired life is different than the values shown on the chart, use alternate Method A shown below.

- Example:
1.  $L_{10}$  Life = 30,000 Hours
  2. Radial load = 4,000 lbs.
  3. RPM = 950

At the intersection of the 950 RPM column and the 30,000 hours  $L_{10}$  life row, the equivalent radial load of 4445 lbs. exceeds the 4400 lbs. (4000 x 1.1) application equivalent radial load for shaft size 2-7/16" - 2-1/2". A SPLIT-SPHER bearing with shaft size of 2-7/16" - 2-1/2" may be used for this application.

- The application factor, 1.1, compensates for the gaps and relief area on either side of the gaps. At no time should  $F_R$  or  $P$  exceed 20% of the Dynamic Capacity  $C$ .
- ♦ The DODGE Bearing Evaluation and Selection Technique (BEST) is a menu driven computer program that calculates bearing loads, fatigue life and operating temperature for a two bearing shaft system based on user supplied input parameters. This interactive program is available at [www.ptwizard.com](http://www.ptwizard.com) under the Product Section area.

### ALTERNATE METHOD A - SELECTING A BEARING FOR AN $L_{10}$ LIFE VALUE NOT SHOWN IN THE EASY SELECTION CHART.

The  $L_{10}$  life equation can be rearranged so that the bearing dynamic capacity  $C$  is identified in terms of  $L_{10}$ , RPM and  $P$ .

$$C = \left( \frac{L_{10} \times \text{RPM}}{16667} \right) \times P$$

$$(P = F_R \times 1.1 = \text{Equivalent Radial Load})$$

Since the  $L_{10}$ , RPM, and  $F_R$  are known, solve for  $C$ . Select from the dynamic capacity column on Table 11 on page B11-78 the  $C$  value equal to or just greater than the  $C$  value just calculated. The bore size on the far left represents the minimum shaft size selection. Check that the application RPM does not exceed the MAX. RPM on Table 10. When selecting an  $L_{10}$  life of less than 30,000 hours, particular attention must be given to shaft deflection and proper lubricant selection.

IMPERIAL - ISAF

UNIFIED SAF

International Bearings

Sleeve Bearing

SLEEVOIL

FEATURES/BENEFITS PAGE B11-3	HOW TO ORDER PAGE B11-9	NOMENCLATURE PAGE B11-10	SELECTION/DIMENSIONS PAGE B11-30
---------------------------------	----------------------------	-----------------------------	-------------------------------------



# SELECTION/DIMENSIONS



## Selecting Bearings Supporting Combination Radial And Thrust Loads

When a bearing supports both a radial load and a thrust load, the loading on the two rows is shared unequally depending on the ratio of thrust to radial load. The use of the X (radial factor) and Y (thrust factor) from Table 11 on page B11-78 converts the applied thrust load and radial loads to an equivalent radial load having the same effect on the life of the bearing as a radial load of this magnitude.

### Equation 1

The equivalent radial load  $P = (XF_R + YF_A) \times 1.1$

Where:

$P$  = Equivalent radial load, lbs

$F_R$  = Radial load, lbs

$F_A$  = Thrust (axial) load, lbs (\*\* See Note below)

$e$  = Thrust load or radial load factor (Table 11)

$X$  = Radial load factor (Table 11)

$Y$  = Thrust load factor (Table 11)

To find X and Y, calculate  $F_A/F_R$  and compare to  $e$  for the selected bore size. Determine X and Y from Table 10 depending on whether  $F_A/F_R$  is equal to or less than  $e$ ,

or  $F_A/F_R$  is greater than  $e$ . Substitute all known values into the equivalent radial load equation.  $P$  (equivalent radial load) can be used in the life formula to determine  $L_{10}$ , or it can be compared to the allowable equivalent radial load ratings for the speed and hours life desired in the easy selection chart.

### SELECTING BEARINGS SUPPORTING ONLY THRUST LOADS

Spherical Roller Bearings generally are not recommended for pure thrust load applications. They will perform satisfactorily under very light pure thrust loads. Consult DODGE Application Engineering (864-281-2195 or FAX 864-281-2317).

### AXIAL EXPANSION CAPABILITY

The axial expansion capability of SPLIT-SPHER Pillow Blocks is the same as the UNIFIED 500 pillow blocks. See Table 7 on page B11-29.

- The application factor, 1.1, compensates for the gaps and relief area on either side of the gaps. At no time should  $F_R$  or  $P$  exceed 20% of the Dynamic Capacity **C**

**Table 11: SPLIT-SPHER Bearings Radial & Thrust Factor**

Shaft Size Inches	Replaces Bearing Series	e	FA/FR ≤ e		FA/FR > e		Max. Allow. Thrust Load FA Lbs.	Dynamic* Capacity (C) Pounds	Max. RPM (Grease)
			X	Y	X	Y			
2-3/16	22213K	0.24	1	2.80	0.67	4.20	1200	35,000	2600
2-7/16	22215K	0.24	1	2.80	0.67	4.20	1200	41,500	2350
2-15/16 - 3	22217K	0.22	1	3.10	0.67	4.60	1700	45,000	2200
3-3/16	22218K	0.22	1	2.90	0.67	4.60	1700	52,000	2100
3-7/16	22220K	0.23	1	2.80	0.67	4.30	1700	71,000	1700
3-15/16 - 4	22222K	0.24	1	2.80	0.67	4.20	3100	90,000	1450
4-7/16	22226K	0.25	1	2.70	0.67	4.00	3100	132,000	1200
4-15/16	22228K	0.26	1	2.60	0.67	3.90	3100	153,000	1100
5-7/16	22232K	0.25	1	2.70	0.67	4.00	5000	204,000	1000
5-15/16 - 6	22234K	0.26	1	2.60	0.67	3.90	5000	232,000	950

\* At no time load on a SPLIT-SPHER bearing should exceed 20% of the Dynamic Capacity C.

FEATURES/BENEFITS PAGE B11-3	HOW TO ORDER PAGE B11-9	NOMENCLATURE PAGE B11-10	SELECTION/DIMENSIONS PAGE B11-30
---------------------------------	----------------------------	-----------------------------	-------------------------------------



# SELECTION/DIMENSIONS



**Table 12: Selection Table For SPLIT-SPHER Spherical Roller Bearings**

Shaft Size Inches	L10 Life Hrs.	Allowable Equivalent Radial Load Rating (Lbs.) At Various Revolutions Per Minute													
		50	100	250	375	450	800	950	1100	1200	1300	1700	2100	2350	2600
2-3/16	10000	7000	7000	7000	6990	6620	5570	5290	5060	4930	4815	4440	4170	4030	3910
	<b>30000</b>	<b>7000</b>	<b>7000</b>	<b>5680</b>	<b>5030</b>	<b>4760</b>	<b>4005</b>	<b>3805</b>	<b>3640</b>	<b>3545</b>	<b>3465</b>	<b>3195</b>	<b>3000</b>	<b>2900</b>	<b>2810</b>
	50000	7000	6415	4870	4315	4085	3435	3265	3125	3045	2970	2740	2570	2485	2415
	100000	6415	5210	3955	3505	3315	2790	2650	2535	2470	2415	2225	2090	2020	1960
2-7/16	10000	8300	8300	8300	8175	7740	6510	6185	5920	5765	5630	5195	4875	4710	
	<b>30000</b>	<b>8300</b>	<b>8300</b>	<b>6640</b>	<b>5880</b>	<b>5565</b>	<b>4685</b>	<b>4445</b>	<b>4255</b>	<b>4145</b>	<b>4050</b>	<b>3735</b>	<b>3505</b>	<b>3390</b>	
	50000	8300	7495	5695	5045	4775	4015	3815	3650	3555	3475	3205	3005	2905	
	100000	7495	6090	4625	4095	3880	3265	3100	2965	2890	2820	2600	2445	2360	
2-15/16 3	10000	9000	9000	9000	8860	8390	7060	705	6415	6250	6105	5630	5285		
	<b>30000</b>	<b>9000</b>	<b>9000</b>	<b>7200</b>	<b>6375</b>	<b>6035</b>	<b>5080</b>	<b>4820</b>	<b>4615</b>	<b>4495</b>	<b>4390</b>	<b>4050</b>	<b>3800</b>		
	50000	9000	8130	6175	5470	5175	4355	4135	3960	3855	3765	3475	3260		
	100000	8130	6605	5015	4440	4205	3540	3360	3215	3135	3060	2820	2650		
3-3/16	10000	10400	10400	10400	10240	9695	8160	7750	7415	7225	7055	6505	6105		
	<b>30000</b>	<b>10400</b>	<b>10400</b>	<b>8320</b>	<b>7365</b>	<b>6975</b>	<b>5870</b>	<b>5575</b>	<b>5335</b>	<b>5195</b>	<b>5070</b>	<b>4680</b>	<b>4390</b>		
	50000	10400	9395	7135	6320	5980	5035	4780	4575	4455	4350	4015	3770		
	100000	9395	7630	5795	5130	4860	4090	3885	3715	3620	3535	3260	3060		
3-7/16	10000	14200	14200	14200	13985	13240	11140	10580	10125	9865	9630	8885			
	<b>30000</b>	<b>14200</b>	<b>14200</b>	<b>11355</b>	<b>10055</b>	<b>9520</b>	<b>8010</b>	<b>7610</b>	<b>7280</b>	<b>7095</b>	<b>6925</b>	<b>6390</b>			
	50000	14200	12825	9745	8630	8170	6875	6530	6245	6085	5940	5480			
	100000	12825	10420	7915	7010	6635	5585	5300	5075	4945	4825	4455			
3-15/16 4	10000	18000	18000	18000	17725	16780	14120	13410	12835	12505	12205				
	<b>30000</b>	<b>18000</b>	<b>18000</b>	<b>14395</b>	<b>12750</b>	<b>12070</b>	<b>10155</b>	<b>9645</b>	<b>9230</b>	<b>8995</b>	<b>8780</b>				
	50000	18000	16260	12350	10935	10355	8715	8275	7920	7715	7530				
	100000	16260	13205	10030	8885	8410	7075	6720	6430	6265	6120				
4-7/16	10000	26400	26400	26400	25995	24615	20710	19670	18825	18340					
	<b>30000</b>	<b>26400</b>	<b>26400</b>	<b>21115</b>	<b>18695</b>	<b>17700</b>	<b>14895</b>	<b>14145</b>	<b>13540</b>	<b>13190</b>					
	50000	26400	23845	18115	16040	15185	12780	12135	11615	11315					
	100000	23845	19370	14715	13030	12335	10380	9860	9435	9190					
4-15/16	10000	30600	30600	30600	30130	28530	24005	22800	21820						
	<b>30000</b>	<b>30600</b>	<b>30600</b>	<b>24475</b>	<b>21670</b>	<b>20520</b>	<b>17265</b>	<b>16400</b>	<b>15690</b>						
	50000	30600	27640	20995	18590	17605	14810	14070	13460						
	100000	27640	22450	17055	15100	14300	12030	11425	10935						
5-7/16	10000	40800	40800	40800	40175	38040	32010	30400							
	<b>30000</b>	<b>40800</b>	<b>40800</b>	<b>32635</b>	<b>28895</b>	<b>27360</b>	<b>23020</b>	<b>21865</b>							
	50000	40800	36855	27995	24790	23470	19750	18755							
	100000	36855	29935	22740	20135	19065	16040	15235							
5-15/16 6	10000	46400	46400	46400	45690	43260	36400	34570							
	<b>30000</b>	<b>46400</b>	<b>46400</b>	<b>37115</b>	<b>32860</b>	<b>31115</b>	<b>26180</b>	<b>24865</b>							
	50000	46400	41915	31840	28195	26690	22460	21330							
	100000	41915	34045	25860	22900	21680	18245	17325							

IMPERIAL - ISAF

UNIFIED SAF

International Bearings

Sleeve Bearing

SLEEVOIL

FEATURES/BENEFITS PAGE B11-3	HOW TO ORDER PAGE B11-9	NOMENCLATURE PAGE B11-10	SELECTION/DIMENSIONS PAGE B11-30
---------------------------------	----------------------------	-----------------------------	-------------------------------------



# SELECTION/DIMENSIONS



IMPERIAL - ISAF

## Selecting Lubrication

DODGE SPLIT-SPHER Roller Bearings are lubricated by the user at installation. DODGE SPLIT-SPHER Roller Bearings can be run with either grease or oil lubrication.

### Grease Lubrication:

In order to properly protect the bearing during installation, pack the bearing insert 100% full of grease immediately after properly mounting the bearing on the shaft. If the RPM of the application falls between 20% and 80% of maximum RPM (Table 11 on page B11-78), pack the lower half of the housing one-third to one-half full. If the RPM of the application is less than 20% of maximum RPM, pack bearing housing cavity 100% full. If the RPM exceeds 80% of maximum RPM, do not add grease in the lower half of the housing nor in the cap.

At each re-greasing cycle, for applications up to 80% of maximum RPM, slowly add grease until fresh grease is seen purging at the seals. Re-greasing should be done while running. Remote re-greasing lines should be added to avoid endangering personnel. If the RPM is greater than 80% of maximum RPM, add 4 strokes of a handgun at each re-greasing cycle for bores up to

2". For bores greater than 2", up to 5", add 8" strokes of a handgun at each re-greasing cycle. For bores greater than 5", up to 6", add 16 strokes of a handgun at each re-greasing cycle. For units running above 80% of maximum RPM, running temperature should be monitored. If a drastic change in running temperature is noted, DODGE recommends removing the used grease completely and recharging with fresh grease per the above instructions. For warning before catastrophic failure, see DODGE Temperature Monitor Package on page B11-58.

Select a grease with a viscosity at an operating temperature which will provide full film lubrication (see Table 12). Use a 50°F to 100°F increase in bearing temperature above ambient, depending on RPM and load. Use Table 13 on page B11-80 as a general guide for re-greasing the bearings. A small amount of grease at frequent intervals is preferable to a large amount of grease at infrequent intervals. For special applications involving high speeds, high loads, or very low speeds, consult DODGE Application Engineering (864-284-5700 or FAX 864-281-2317).

UNIFIED SAE

International Bearings

**Table 13: Viscosity Of Oil In Grease**

DN Δ	Viscosity for Loads Up To 18% of Dyn. Cap. ♦ (SUS @ Oper. Temp.)	DN Δ	Viscosity for Loads Up To 18% of Dyn. Cap. ♦ (SUS. @ Oper. Temp.)
100	3500	1400	625
200	3150	1600	525
300	2750	1800	450
400	2375	2000	400
500	2000	3000	300
600	1750	4000	200
700	1500	5000	150
800	1300	6000	130
900	1075	7000	110
1000	900	8000	100

Δ DN = Bore Diameter (inches) x RPM

♦ For loads above 18% of dynamic capacity, an EP grease with the viscosity selected from above is recommended.

Sleeve Bearing

**Table 14: Re-Greasing Intervals (Months\*)  
(Based on 12 Hours per Day, 150-F Max.)**

Shaft Size (inch)	RPM							
	250	500	750	100	1250	1500	2000	2500
1-7/16 - 1-15/16	8	6	4	3	2	1	.50	.50
2-3/16	7	5	3	2	1	1	.50	.25
2-7/16 - 3	6	4	3	2	1	.50	.25	.25
3-3/16 - 3-1/2	5	3	2	1	.50	.50	.25	
3-15/16 - 4-7/16	4	3	2	1	.50	.25		
4-15/16 - 5-1/2	3	2	1	.50	.25			
5-15/16 - 6	2	1	1	.50				

\* For continuous operation, 24 hrs./day, reduce the re-greasing intervals by half.

SLEEVOIL

FEATURES/BENEFITS PAGE B11-3	HOW TO ORDER PAGE B11-9	NOMENCLATURE PAGE B11-10	SELECTION/DIMENSIONS PAGE B11-30
---------------------------------	----------------------------	-----------------------------	-------------------------------------

# SELECTION/DIMENSIONS



## USAF 500 SPLIT-SPHER Pillow Block

Shaft Dia S-1	Complete Pillow Block Part No.	Housing W/ Stab Ring Part No.	Bearing Part No.	Dynamic Capacity (C), lbs.	Max RPM (Grease)	Split LER Seal
2-3/16	P2B13-SS-203 043958	H2S-513-USAF 043998	BRG13SS203 043393	32,500	2,600	14SS203 043501
	P4B13-SS-203 046110	H4S-513-USAF 039669	BRG13SS203 043393	32,500	2,600	14SS203 043501
2-7/16	P2B15-SS-207 043959	H2S-515-USAF 044000	BRG15SS207 043400	39,000	2,350	20SS207 043502
	P4B15-SS-207 043964	H4S-515-USAF 044003	BRG15SS207 043400	39,900	2,350	20SS207 043502
2-11/16	P2B16-SS-211 043960	H2S-516-USAF 044198	BRG16SS211 043401	40,500	2,300	24SS211 043504
	P4B16-SS-211 043965	H4S-516-USAF 044007	BRG16SS211 043401	40,500	2,300	24SS211 043504
2-15/16	P2B17-SS-215 043961	H2S-517-USAF 044010	BRG17SS215 043402	41,500	2,200	28SS215 043506
	P4B17-SS-215 043966	H4S-517-USAF 044010	BRG17SS215 043402	41,500	2,200	28SS215 043506
3-3/16	P2B18-SS-303 043962	H2S-518-USAF 044199	BRG18SS303 043403	47,500	2,100	34SS303 043508
	P4B18-SS-303 043967	H4S-518-USAF 044114	BRG18SS303 043403	47,500	2,100	34SS303 043508
3-7/16	P2B20-SS-307 043963	H2S-520-USAF 044020	BRG20SS307 043404	71,000	1,700	46SS307 043509
	P4B20-SS-307 043968	H4S-520-USAF 044023	BRG20SS307 043404	71,000	1,700	46SS307 043509
3-15/16	P4B22-SS-315 043969	H4S-522-USAF 044025	BRG22SS315 043405	71,000	1,450	50SS315 043511
4	P4B22-SS-400 043970	H4S-522-USAF 044025	BRG22SS400 043406	71,000	1,450	50SS400 043512
4 3/16	P4B24-SS-403 043971	H4S-524-USAF 044202	BRG24SS403 043421	102,000	1,300	52SS403 043513
4-7/16	P4B26-SS-407 043972	H4S-526-USAF 044031	BRG26SS407 043407	132,000	1,200	54SS407 043514
4-15/16	P4B28-SS-415 043974	H4S-528-USAF 044034	BRG28SS415 043408	153,000	1,100	56SS415 043516
5-7/16	P4B32-SS-507 043976	H4S-532-USAF 044040	BRG32SS507 043410	204,000	1,000	60SS507 043519
5-15/16	P4B34-SS-515 043977	H4S-534-USAF 044043	BRG34SS515 043411	232,000	950	64SS515 043520
6	P4B34-SS-600 043978	H4S-534-USAF 044043	BRG34SS600 043412	232,000	950	64SS600 043521

IMPERIAL - ISAF

UNIFIED SAF

International Bearings

Sleeve Bearing

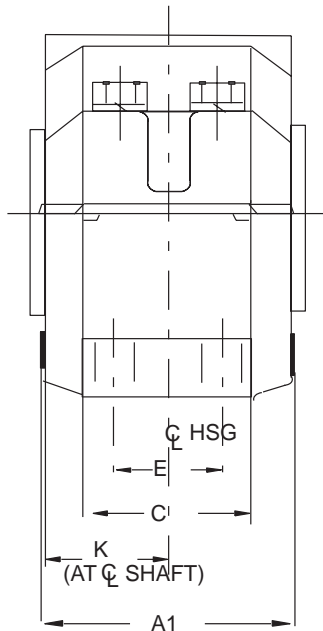
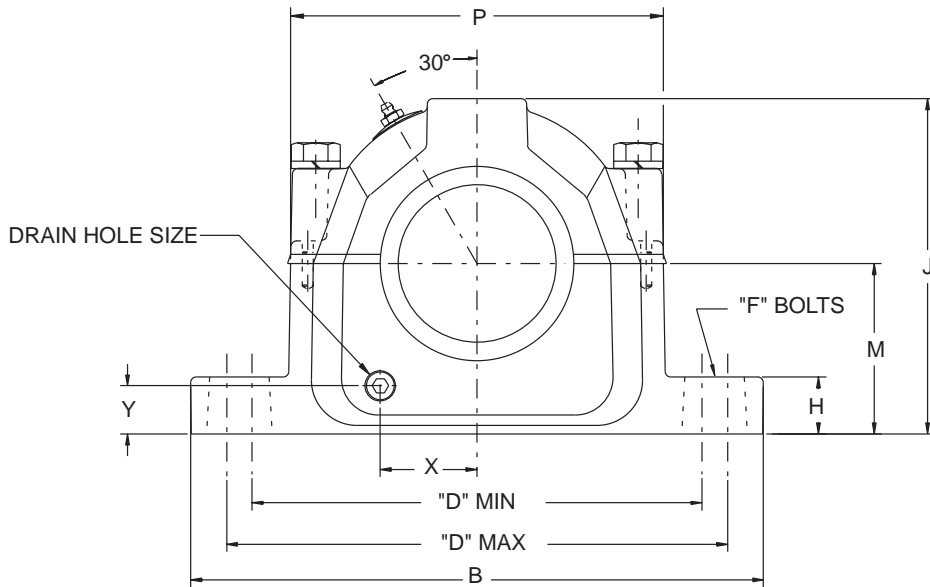
SLEEVOIL

FEATURES/BENEFITS PAGE B11-3	HOW TO ORDER PAGE B11-9	NOMENCLATURE PAGE B11-10	SELECTION/DIMENSIONS PAGE B11-30
---------------------------------	----------------------------	-----------------------------	-------------------------------------

# SELECTION/DIMENSIONS



## USAF 500 SPLIT-SPHER Housing Dimensions



FEATURES/BENEFITS PAGE B11-3	HOW TO ORDER PAGE B11-9	NOMENCLATURE PAGE B11-10	SELECTION/DIMENSIONS PAGE B11-30
---------------------------------	----------------------------	-----------------------------	-------------------------------------

# SELECTION/DIMENSIONS



## USAF 500 SPLIT-SPHER Housing Dimensions

S-1 Shaft Size	Housing	▲ A1	B	C	D				E
					2-Bolt		4-Bolt		
2-3/16	513	4-41/64	11	3-1/8	8-1/8	9-1/2	8-1/8	9-1/2	1-7/8
2-7/16	515	5-13/64	11-1/8	3-1/8	8-5/8	9-5/8	8-5/8	9-5/8	1-7/8
2-15/16	517	5-25/64	12-19/32	3-1/2	9-7/8	11	9-7/8	11	2-1/8
3-3/16	518	6-5/32	13-5/8	3-7/8	10-1/4	11-3/4	10-3/8	11-5/8	2-1/8
3-7/16	520	6-25/32	15-23/64	4-11/32	11-5/8	13-1/8	11-5/8	13-1/8	2-3/8
3-15/16 4	522	7-5/64	16-1/2	4-3/4	-	-	12-19/32	14-1/2	2-3/4
4-7/16	526	8-17/64	18-3/8	5-1/8	-	-	14-1/2	16	3-1/4
4-15/16	528	8-49/64	19-11/16	5-7/8	-	-	15-5/8	17-3/8	3-3/8
5-7/16	532	9-59/64	21-21/32	6-1/4	-	-	17-3/8	19-1/4	3-3/4
5-15/16 6	534	9-23/32	24-3/4	6-3/4	-	-	19-3/8	21-5/8	4-1/4

S-1 Shaft Size	Housing	F		H	J	K	M	P
		2-Bolt	4-Bolt					
2-3/16	513	5/8	1/2	1-1/32	5-15/16	2-5/32	3	6-1/2
2-7/16	515	5/8	1/2	1-1/4	6-7/16	2-5/16	3-1/4	7-1/16
2-15/16	517	3/4	5/8	1-1/4	7-3/8	2-15/32	3-3/4	8-3/16
3-3/16	518	3/4	5/8	1-7/16	7-3/4	2-27/32	4	8-21/32
3-7/16	520	7/8	3/4	1-21/32	8-3/4	3-5/32	4-1/2	9-25/32
3-15/16 4	522	-	3/4	1-25/32	9-13/32	3-19/64	4-15/16	10-19/32
4-7/16	526	-	7/8	2-1/16	11-17/32	3-3/4	6	12-13/32
4-15/16	528	-	1	2-1/16	11-13/16	4	6	13-1/4
5-7/16	532	-	1	2-11/32	13-5/16	4-5/8	6-11/16	14-29/32
5-15/16 6	534	-	1	2-7/8	14-9/16	4-5/8	7-1/16	16-13/16

- ▲ Housing width with drain plugs
- ◆ Distance shaft should extend beyond housing centerline if pillow block is closed end style
- Non-expansion bearing offset from centerline.

Dowel hole locations for Precision Positioning, see Page B11-29 - B11-29

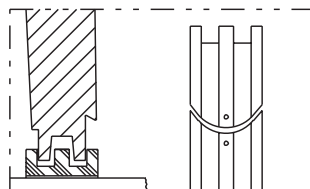
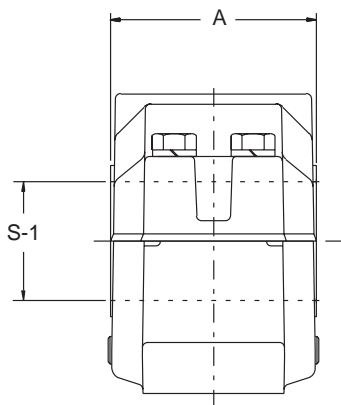
FEATURES/BENEFITS PAGE B11-3	HOW TO ORDER PAGE B11-9	NOMENCLATURE PAGE B11-10	SELECTION/DIMENSIONS PAGE B11-30
---------------------------------	----------------------------	-----------------------------	-------------------------------------

# SELECTION/DIMENSIONS



## USAF 500 SPLIT-SPHER Pillow Block Seals

LENGTH THRU BORE W/SEALS



### SPLIT Seal

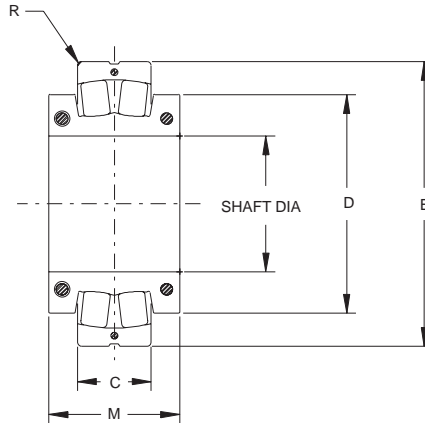
Permits easy installation in hard-to-reach applications without removing shaft.  
Non-metallic split LER.

S-1 Shaft Size Inch	Housing	Seal Group	Seal Part Number	A
2-3/16	513	14	<b>043501</b>	4-23/32
2-7/16	515	20	<b>043502</b>	4-15/32
2-11/16	516	24	<b>043504</b>	4-23/32
2-15/16	517	28	<b>043506</b>	4-53/64
3-3/16	518	34	<b>043508</b>	5-45/64
3-7/16	520	46	<b>043509</b>	6-3/16
3-15/16 4	522	50	<b>043511</b> <b>043512</b>	6-19/32
4-3/16	524	52	<b>043513</b>	7-5/16
4-7/16	526	54	<b>043514</b>	7-1/2
4-15/16	528	56	<b>043516</b>	7-7/8
5-7/16	532	60	<b>043519</b>	9-13/64
5-15/16 6	534	64	<b>043520</b> <b>043521</b>	9-1/8
6-7/16	538	68	<b>043522</b>	9-11/16

# SELECTION/DIMENSIONS



## USAF 22200 SPLIT-SPHER Roller Bearings



Shaft Dia. Inch	Housing	Bearing Descriptive No.	Bearing Part No.	Approx. Weight (Lbs)	B Inch (mm)	C Inch (mm)	M Inch (mm)	D Inch	R Inch
2-3/16	513	22213SS203	<b>043393</b>	5.07	4.7244 (120)	1.2205 (31)	2.1654 (55)	3.3464	0.06
2-7/16	515	22215SS207	<b>043400</b>	5.73	5.1181 (130)	1.2205 (31)	2.3622 (60)	3.4646	0.06
2-15/16	517	22217SS215	<b>043402</b>	9.04	5.9055 (150)	1.4173 (36)	2.6772 (68)	4.0157	0.08
3-3/16	518	22218SS303	<b>043403</b>	10.1	6.2992 (160)	1.5748 (40)	2.7559 (70)	4.4094	0.08
3-7/16	520	22220SS307	<b>043404</b>	14.2	7.0866 (180)	1.811 (46)	2.9921 (76)	4.6457	0.08
3-15/16	522	22222SS315	<b>043405</b>	22.0	7.874 (200)	2.0866 (53)	3.622 (92)	5.4331	0.08
4		22222SS400	<b>043406</b>	22.0					
4-7/16	526	22226SS407	<b>043407</b>	32.2	9.0551 (230)	2.5197 (64)	4.0945 (104)	5.9842	0.12
4-15/16	528	22228SS415	<b>043408</b>	43.2	9.8425 (250)	2.6772 (68)	4.3307 (110)	6.6929	0.12
5-7/16	532	22232SS507	<b>043410</b>	69.4	11.4173 (290)	3.1496 (80)	4.8819 (124)	7.4016	0.12
5-15/16	534	22234SS515	<b>043411</b>	82.2	12.2047 (310)	3.3858 (86)	5.0394 (128)	7.9527	0.12
6		22234SS600	<b>043412</b>	82.2					

FEATURES/BENEFITS PAGE B11-3	HOW TO ORDER PAGE B11-9	NOMENCLATURE PAGE B11-10	SELECTION/DIMENSIONS PAGE B11-30
---------------------------------	----------------------------	-----------------------------	-------------------------------------



# SELECTION/DIMENSIONS



## USDAF Pillow Block - Spherical Roller Bearings Table 15: Radial & Thrust Factors For USDAF Spherical Bearings

### 23000K SERIES

Shaft Size (in.)	Bearing Series	e	FA/FR ≤ e		FA/FR > e		Adapter Maximum Allowable Thrust Load, lbs. *	Dynamic Capacity (C), lbs.	Max. RPM	
			X	Y	X	Y			Grease	Oil
10-15/16,11	23060K	0.25	1	2.70	0.67	4	23,875	440,000	630	800
11-7/16,11-1/2,11-15/16,12	23064K	0.25	1	2.70	0.67	4.10	26,114	455,000	600	750
12-7/16,12-1/2	23068K	0.25	1	2.70	0.67	4	30,498	530,000	560	700
12-15/16,13,13-7/16,13-1/2	23072K	0.25	1	2.70	0.67	4.10	32,535	550,000	530	670
13-15/16,14	23076K	0.24	1	2.80	0.67	4.20	34,598	570,000	500	630
15	23080K	0.24	1	2.80	0.67	4.10	39,926	680,000	450	560
15-3/4	23084K	0.24	1	2.80	0.67	4.20	42,489	710,000	450	560

### 23100K SERIES

9-7/16, 9-1/2	23152K	0.33	1	2	0.67	3	19,985	490,000	670	850
10-7/16,10-1/2	23156K	0.32	1	2.10	0.67	3.20	27,571	530,000	630	800
10-15/16,11	23160K	0.33	1	2.10	0.67	3.10	32,373	600,000	600	750
11-15/16,12	23164K	0.34	1	2	0.67	2.90	37,984	720,000	530	670
12-7/16,12-1/2	23168K	0.34	1	2	0.67	2.90	43,568	830,000	500	630
13-7/16,13-1/2	23172K	0.33	1	2.10	0.67	3.10	45,617	850,000	480	600
13-15/16,14	23176K	0.32	1	2.10	0.67	3.20	49,719	915,000	450	560

### 23200K SERIES

8-15/16,9	23248K	0.37	1	1.80	0.67	2.70	25,891	560,000	700	900
9-7/16,9-1/2	23252K	0.37	1	1.80	0.67	2.70	30,511	655,000	630	800
10-7/16,10-1/2	23256K	0.36	1	1.90	0.67	2.80	33,236	680,000	600	750
10-7/16,11	23260K	0.37	1	1.80	0.67	2.70	38,847	780,000	560	700
11-15/16,12	23264K	0.37	1	1.80	0.67	2.70	44,890	865,000	530	670
12-7/16,12-1/2	23268K	0.38	1	1.80	0.67	2.70	51,365	1,000,000	480	600

If the thrust load exceeds adapter maximum allowable thrust load, auxiliary methods of carrying thrust are required.

IMPERIAL - ISAF

UNIFIED SAF

International Bearings

Sleeve Bearing

SLEEVOIL

FEATURES/BENEFITS PAGE B11-3	HOW TO ORDER PAGE B11-9	NOMENCLATURE PAGE B11-10	SELECTION/DIMENSIONS PAGE B11-30
---------------------------------	----------------------------	-----------------------------	-------------------------------------







# SELECTION/DIMENSIONS



## USDAF Adapter Mount Pillow Block

Shaft Dia	Housing	Open Housing Part No.**	Closed Housing Part No.**	Bearing Part No.	Dynamic Capacity (C), lbs.	Max RPM LER (Grease)	SNP Part No.	TRIPLE-TECT Part No.	# LER Part No.	Aux Part No.
8-15/16	3248	H4S-USDAF-3248 037464	CH4S-USDAF-3248 037465	23248K 422511	560,000	700	H3248-SNP-815 047628	90TT815 042544	90LER815 *042544	90AUX815 040899
	9	H4S-USDAF-3248 037464	CH4S-USDAF-3248 037465	23248K 422511	560,000	700	H3248-SNP-900 047629	90TT900 043572	90LER900 *042545	90AUX900 040995
9-7/16	3152	H4S-USDAF-3152 037461	CH4S-USDAF-3152 037462	23152K 421294	490,000	670	H3152-SNP-907 047630	84TT908 043538	84LER907 *042510	84AUX907 040900
	3252	H4S-USDAF-3252 037442	CH4S-USDAF-3252 037443	23252K 421290	665,000	630	H3252-SNP-907 047646	84TT907 043538	84LER907 *042510	84AUX907 040900
9-1/2	3152	H4S-USDAF-3152 037461	CH4S-USDAF-3152 037462	23152K 421294	490,000	670	H3152-SNP-908 047631	84TT908 422545	84LER908 *422594	84AUX908 040901
	3252	H4S-USDAF-3252 037442	CH4S-USDAF-3252 037443	23252K 421290	655,000	630	H3252-SNP-908 047647	84TT908 422545	84LER908 *422594	84AUX908 040901
10-7/16	3156	H4S-USDAF-3156 037432	CH4S-USDAF-3156 037433	23156K 421285	530,000	630	H3156SNP-1007 045431	94TT1007 047940	94LER1007 *042036	94AUX1007 045778
	3256	H4S-USDAF-3256 037444	CH4S-USDAF-3256 037446	23256K 421291	680,000	600	H325-SNP-1007 047648	94TT1007 047940	94LER1007 *042036	94AUX1007 045778
10-1/2	3156	H4S-USDAF-3156 037432	CH4S-USDAF-3156 037433	23156K 421285	530,000	630	H3156-SNP-1008 047637	94TT1008 047941	94LER1008 *422573	94AUX1008 042396
	3256	H4S-USDAF-3256 037444	CH4S-USDAF-3256 037446	23256K 421291	680,000	600	H3256-SNP-1008 047649	94TT1008 047941	94LER1008 *422573	94AUX1008 042396
10-15/16	060	H4S-USDAF-060 422580	CH4S-USDAF-060 037426	23060K 422582	440,000	630	H3060-SNP-1015 043581	96TT1015 047942	96LER1015 *042037	96AUX1015 045781
	3160	H4S-USDAF-3160 037434	CH4S-USDAF-3160 037435	23160K 421286	600,000	600	H3160-SNP-1015 047638	96TT1015 047942	96LER1015 *042037	96AUX1015 045781
	3260	H4S-USDAF-3260 037447	CH4S-USDAF-3260 037448	23260K 421292	780,000	560	H3260-SNP-1015 047678	96TT1015 047942	96LER1015 *042037	96AUX1015 045781
11	060	H4S-USDAF-060 422580	CH4S-USDAF-060 037426	23060K 422582	440,000	630	H3060-SNP-1100 422576	96TT1100 047943	96LER1100 *422588	96AUX1100 044440
	3160	H4S-USDAF-3160 037434	CH4S-USDAF-3160 037435	23160K 421286	600,000	600	H3160-SNP-1100 045464	96TT1100 047943	96LER1100 *422588	96AUX1100 044440
	3260	H4S-USDAF-3260 037447	CH4S-USDAF-3260 037448	23260K 421292	780,000	560	H3260-SNP-1100 047679	96TT1100 047943	96LER1100 *422588	96AUX1100 044440
11-7/16	064	H4S-USDAF-064 422502	CH4S-USDAF-064 037427	23064K 422531	455,000	600	H3064-SNP-1107 043582	98TT1107 047944	98LER1107 *042038	98AUX1107 045784
11-1/2	064	H4S-USDAF-064 422502	CH4S-USDAF-064 037427	23064K 422531	455,000	600	H3064-SNP-1108 043583	98TT1108 047945	98LER1108 *042039	98AUX1108 045787
11-15/16	064L	H4S-USDAF-064L 422529	CH4S-USDAF-064L 037428	23064K 422531	455,000	600	H3064L-SNP-1115 043584	100TT1115 047946	100ER1115 *042040	100AUX1115 045790
	3164	H4S-USDAF-3164 037436	CH4S-USDAF-3164 037437	23164K 421287	720,000	530	H3164-SNP-1115 047639	100TT1115 047946	100ER1115 *042040	100AUX1115 045790
	3264	H4S-USDAF-3264 037441	CH4S-USDAF-3264 037450	23264K 422844	865,000	530	H3264-SNP-1115 047680	100TT1115 047946	100ER1115 *042040	100AUX1115 045790

# NOTE: LER seals are made from Aluminum unless otherwise noted by the \* symbol.  
If an \* appears by the part number, the LER seal is manufactured from Steel.

FEATURES/BENEFITS PAGE B11-3	HOW TO ORDER PAGE B11-9	NOMENCLATURE PAGE B11-10	SELECTION/DIMENSIONS PAGE B11-30
---------------------------------	----------------------------	-----------------------------	-------------------------------------

# SELECTION/DIMENSIONS



## USDAF Adapter Mount Pillow Block

Shaft Dia	Housing	Open Housing Part No. **	Closed Housing Part No. **	Bearing Part No.	Dynamic Capacity (C), lbs.	Max RPM LER (Grease)	SNP Part No.	TRIPLE-TECT Part No.	# LER Part No.	Aux Part No.
12	064L	H4S-USDAF-064L 422529	CH4S-USDAF-064L 037428	23064K 422531	455,000	600	H3064L-SNP-1200 422525	100TT1200 047947	100ER1200 *422535	100AUX1200 045793
	3164	H4S-USDAF-3164 037436	CH4S-USDAF-3164 037437	23164K 421287	720,000	530	H3164-SNP-1200 050531	100TT1200 047947	100ER1200 *422535	100AUX1200 045793
	3264	H4S-USDAF-3264 037449	CH4S-USDAF-3264 037450	23264K 422844	865,000	530	H3264-SNP-1200 422843	100TT1200 047947	100ER1200 *422535	100AUX1200 045793
12-7/16	068	H4S-USDAF-068 035183	CH4S-USDAF-068 035185	23068K 421282	530,000	560	H3064-SNP-1207 047632	102TT1207 047948	102ER1207 *046498	102AUX1207 046567
	3168	H4S-USDAF-3168 035945	CH4S-USDAF-3168 035946	23168K 052081	830,000	500	H3168-SNP-1207 047641	102TT1207 047948	102ER1207 *046498	102AUX1207 046567
	3268	H4S-USDAF-3268 037451	CH4S-USDAF-3268 037452	23268K 421293	1,000,000	480	H328-SNP-1207 047681	102TT1207 047948	102ER1207 *046498	102AUX1207 046567
12-1/2	068	H4S-USDAF-068 035183	CH4S-USDAF-068 035185	23068K 421282	530,000	560	H3068-SNP-1208 047635	102TT1208 047949	102ER1208 *046499	102AUX1208 046568
	3168	H4S-USDAF-3168 035945	CH4S-USDAF-3168 035946	23168K 052081	830,000	500	H31680-SNP-1208 047642	102TT1208 047949	102ER1208 *046499	102AUX1208 046568
	3268	H4S-USDAF-3268 037451	CH4S-USDAF-3268 037452	23268K 421293	1,000,000	480	H3268-SNP-1208 047682	102TT1208 047949	102ER1208 *046499	102AUX1208 046568
12-15/16	072	H4S-USDAF-072 044164	CH4S-USDAF-072 037429	23072K 422036	550,000	530	H3072-SNP-1215 043635	104TT1215 047950	104ER1215 *042090	102AUX1215 045796
13	072	H4S-USDAF-072 044164	CH4S-USDAF-072 037429	23072K 422036	550,000	530	H3072-SNP-1300 043636	104TT1300 047951	072ER1300 *042091	104AUX1300 045799
13-7/16	072L	H4S-USDAF-072L 044165	CH4S-USDAF-072L 037430	23072K 422036	550,000	530	H3072L-SNP-1307 043637	106TT1307 047952	106ER1307 *042092	106AUX1307 045802
	3172	H4S-USDAF-3172 037438	CH4S-USDAF-3172 037439	23172K 421288	850,000	480	H3172-SNP-1307 047643	106TT1307 047952	106ER1307 *042092	106AUX1307 045802
13-1/2	072L	H4S-USDAF-072L 044165	CH4S-USDAF-072L 037430	23072K 422036	550,000	530	H3072L-SNP-1308 043638	106TT1308 047953	106ER1308 *042093	106AUX1308 045805
	3172	H4S-USDAF-3172 037438	CH4S-USDAF-3172 037439	23172K 421288	850,000	480	H3172-SNP-1308 045434	106TT1308 047953	106ER1308 *042093	106AUX1308 045805
13-15/16	076	H4S-USDAF-076 044166	CH4S-USDAF-076 037431	23076K 422054	570,000	500	H3076-SNP-1315 043639	108TT1315 047954	108ER1315 *042094	108AUX1315 045808
	3176	H4S-USDAF-3176 037440	CH4S-USDAF-3176 037441	23176K 421289	915,000	450	H3176-SNP-1315 047644	108TT1315 047954	108ER1315 *042094	108AUX1315 045808
14	076	H4S-USDAF-076 044166	CH4S-USDAF-076 037431	23076K 422054	570,000	500	H3076-SNP-1400 043640	108TT1400 047955	108ER1400 *042095	108AUX1400 046569
	3176	H4S-USDAF-3176 037440	CH4S-USDAF-3176 037441	23176K 421289	915,000	450	H3176-SNP-1400 047645	108TT1400 047955	108ER1400 *042095	108AUX1400 046569
15	080	H4S-USDAF-080 035417	CH4S-USDAF-080 035418	23080K 421283	680,000	450	H3080-SNP-1500 040830	110TT1500 047956	080ER1500 *050474	110AUX1500 046570
15-3/4	84	H4S-USDAF-084 035943	CH4S-USDAF-084 035944	23084K 421284	710,000	450	H3084-SNP-1512 047636	112TT1512 047957	112ER1512 *046566	112AUX1512 046572

# NOTE: LER seals are made from Aluminum unless otherwise noted by the \* symbol.  
If an \* appears by the part number, the LER seal is manufactured from Steel.

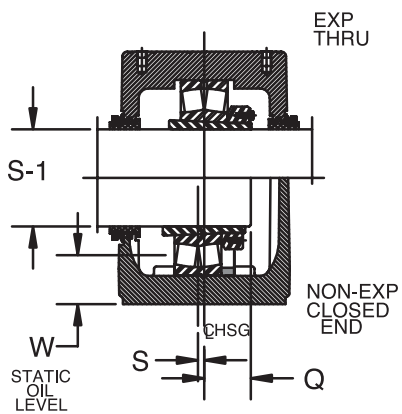
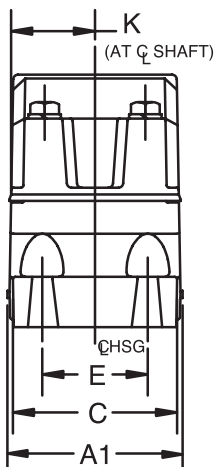
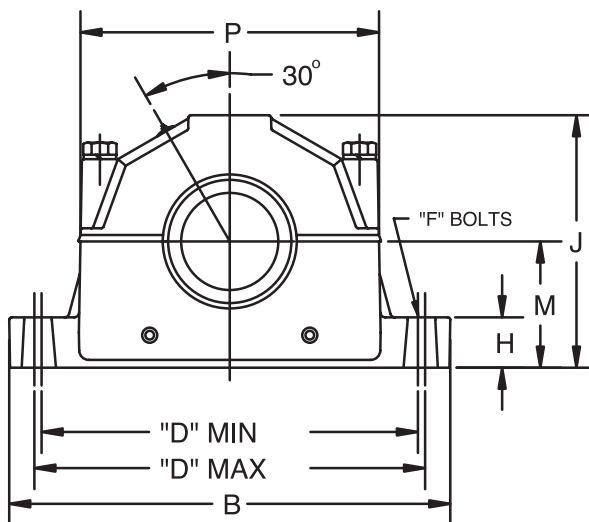
FEATURES/BENEFITS PAGE B11-3	HOW TO ORDER PAGE B11-9	NOMENCLATURE PAGE B11-10	SELECTION/DIMENSIONS PAGE B11-30
---------------------------------	----------------------------	-----------------------------	-------------------------------------



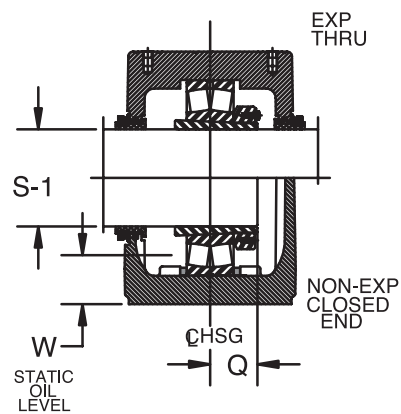
# SELECTION/DIMENSIONS



## USDAF Housing Dimensions



**23000 SERIES**  
(REQUIRES (1) STABILIZING RING)



**23100, 23200 SERIES**  
(REQUIRES (2) STABILIZING RINGS)

IMPERIAL - ISAF

UNIFIED SAF

International Bearings

Sleeve Bearing

SLEEVOIL

FEATURES/BENEFITS PAGE B11-3	HOW TO ORDER PAGE B11-9	NOMENCLATURE PAGE B11-10	SELECTION/DIMENSIONS PAGE B11-30
---------------------------------	----------------------------	-----------------------------	-------------------------------------

# SELECTION/DIMENSIONS



## USDAF Housing Dimensions

S-1 Shaft Size	Housing	Bearing Number	A1 ▲	B	C	D		E	F Base Bolt Size 4-Req'd	H
						Min	Max			
8-15/16 9	3248	23248K	14-9/32	35	13-3/4	29	30-1/2	8-3/4	1-5/8	3-3/4
9-7/16	3152	23152K								
9-1/2	3252	23252K								
10-7/16	3156	23156K								
10-1/2	3256	23256K								
10-15/16 11	60 3160	23060K 23160K								
11-7/16 11-1/2	64	23064K								
11-15/16 12	064L									
12-7/16 12-1/2	68	23068K	15-13/16	39	15-1/4	32	34	10	1-7/8	4-3/16

S-1 Shaft Size	Housing	Bearing Number	J	K	M	P	Q ★	S •	Total Exp.				
8-15/16 9	3248	23248K	20-7/8	6-53/64	10-1/4	23-15/16	4-7/8	0	3/8				
9-7/16	3152	23152K					4-5/8		3/8				
9-1/2	3252	23252K					23-7/16	7-23/32	12	26-1/2	5-27/64	0	3/4
10-7/16	3156	23156K									5	0	3/4
10-1/2	3256	23256K									4-37/64	0	3/4
10-15/16	60	23060K									4-5/16	3/16	3/8
11	3160	23160K									5-21/64	0	3/4
11-7/16 11-1/2	64	23064K									4-29/64	3/16	3/8
11-15/16 12	064L		3/8										
12-7/16 12-1/2	68	23068K	24	7-15/32	12	26-3/8	4-13/16	3/16	3/8				

- ▲ Housing Width With Drain Plugs
- ★ Distance Shaft Should Extend Beyond Housing Centerline If Pillow Block Is Closed End Style
- Non-expansion Bearing Offset From Centerline. For Expansion Bearing S = 0

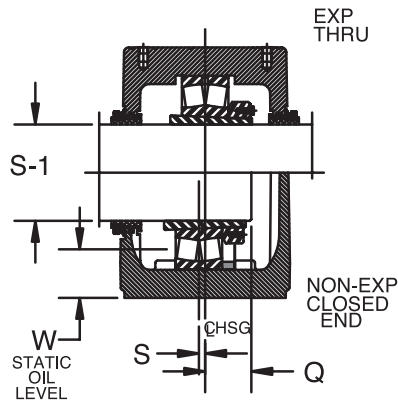
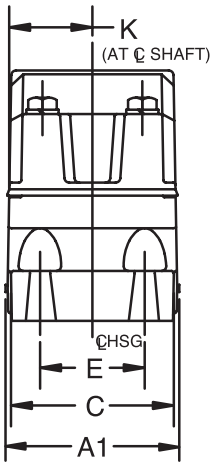
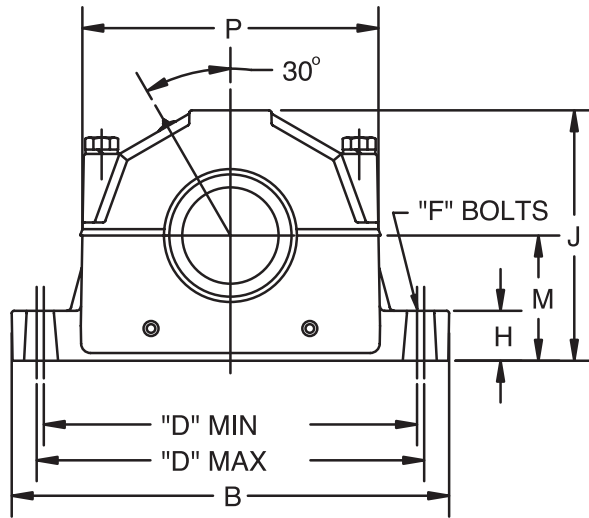
FEATURES/BENEFITS PAGE B11-3	HOW TO ORDER PAGE B11-9	NOMENCLATURE PAGE B11-10	SELECTION/DIMENSIONS PAGE B11-30
---------------------------------	----------------------------	-----------------------------	-------------------------------------



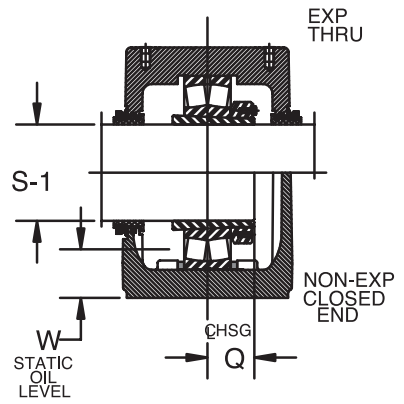
# SELECTION/DIMENSIONS



## USDAF Housing Dimensions



**23000 SERIES**  
(REQUIRES (1) STABILIZING RING)



**23100, 23200 SERIES**  
(REQUIRES (2) STABILIZING RINGS)

IMPERIAL - ISAF

UNIFIED SAF

International Bearings

Sleeve Bearing

SLEEVOIL

FEATURES/BENEFITS PAGE B11-3	HOW TO ORDER PAGE B11-9	NOMENCLATURE PAGE B11-10	SELECTION/DIMENSIONS PAGE B11-30
---------------------------------	----------------------------	-----------------------------	-------------------------------------

# SELECTION/DIMENSIONS



## USDAF Housing Dimensions

S-1 Shaft Size	Housing	Bearing Number	A1 ▲	B	C	D		E	F Base Bolt Size 4-Req'd	H
						Min	Max			
10-15/16 11	3260	23260K	16-63/64	41-3/4	15-3/4	35	36-1/2	10-1/2	1-7/8	4-1/2
11-15/16 12	3164	23164K								
12-15/16 13	072	23072K								
13-7/16 13-1/2	072L									
13-15/16 14	076	23076K								
11-15/16 12	3264	23264K	18-5/16	43-37/64	17-3/4	36-3/4	38-1/4	10-3/4	2	5
12-7/16 12-1/2	3168 3268	23168K 23268K								
13-7/16 13-1/2	3172	23172K	18-3/8	46	17-1/8	39-1/4	40-3/4	11	2	5-1/4
13-15/16 14	3176	23176K								
15	080	23080K								
15-3/4	084	23084K								

S-1 Shaft Size	Housing	Bearing Number	J	K	M	P	Q ★	S •	Total Exp.
10-15/16 11	3260	23260K	25-3/4	8-5/32	12-13/16	29-1/8	5-61/64	0	3/4
11-15/16 12	3164	23164K					5-23/32	0	3/4
12-15/16 13	072	23072K					4-13/16	3/16	3/8
13-7/16 13-1/2	072L						3/8		
13-15/16 14	076	23076K					5-61/64	3/16	3/8
11-15/16 12	3264	23264K	28	8-45/64	14	31-1/8	6-7/32	0	1/2
12-7/16 12-1/2	3168 3268	23168K 23268K					6	0	1/2
13-7/16 13-1/2	3172	23172K	29	8-3/4	14-1/2	33-11/64	6-21/32	0	1/2
13-15/16 14	3176	23176K					6-9/64	0	3/4
15	080	23080K					6-5/16	0	3/4
15-3/4	084	23084K					5-23/64	3/16	3/8
							5-25/64	3/16	3/8

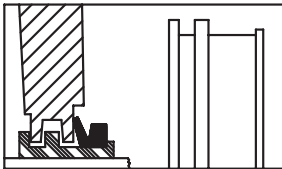
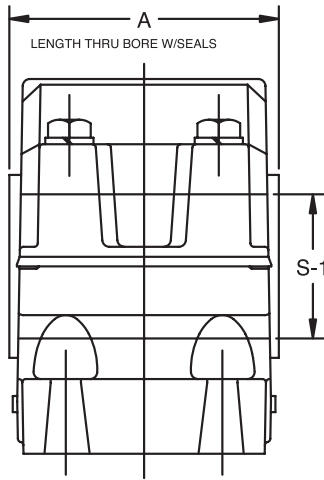
- ▲ Housing Width With Drain Plugs
- ★ Distance Shaft Should Extend Beyond Housing Centerline If Pillow Block Is Closed End Style
- Non-expansion Bearing Offset From Centerline. For Expansion Bearing S = 0

FEATURES/BENEFITS PAGE B11-3	HOW TO ORDER PAGE B11-9	NOMENCLATURE PAGE B11-10	SELECTION/DIMENSIONS PAGE B11-30
---------------------------------	----------------------------	-----------------------------	-------------------------------------

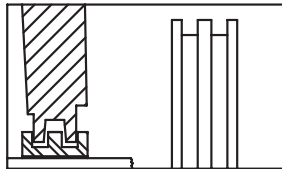
# SELECTION/DIMENSIONS



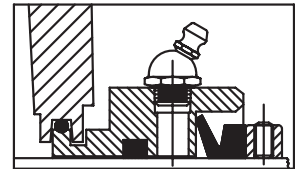
## USDAF Pillow Block Seals



**TRIPLE-TECT SEAL**  
General purpose seal for wet or dirty environments



**LER SEAL**  
High speed seal for relatively clean environments



**AUXILIARY TACONITE SEAL**  
For dusty environments and low to moderate speeds

<p>FEATURES/BENEFITS PAGE B11-3</p>	<p>HOW TO ORDER PAGE B11-9</p>	<p>NOMENCLATURE PAGE B11-10</p>	<p>SELECTION/DIMENSIONS PAGE B11-30</p>
---	------------------------------------	-------------------------------------	---



# SELECTION/DIMENSIONS



## USDAF Pillow Block Seals - Inch

S-1 Shaft Size (Inch)	Housing	Seal Group	Part Numbers			A				
			TRIPLE-TECT (TT)	Metal Labyrinth (ER)	Auxiliary (AUX)	TT	ER	AUX*		
10-15/16 11	060	96	047942	042037	045781	16-17/32	15-1/4	19-27/32		
			047943	422588	044440			19-19/32		
11-7/16 11-1/2	064	98	047944	042038	045784			16-17/32	15-1/4	19-27/32
			047945	042039	045787					
11-15/16 2	064L	100	047946	042040	045790					
12-7/16 12-1/2	068	102	047948	046498	046567			16-3/32	14-13/16	19-13/32
			047949	046499	046568					
12-15/16 13	072	104	047950	042090	045796	17-7/16	16-15/64	20-33/64		
			047951	042091	045799					
13-7/16 13-1/2	072L	106	047952	042092	045802					
			047953	042093	045805					
13-15/16 14	076	108	047954	042094	045808					
			047955	042095	046569					
15 15-3/4	080 084	110 112	047956 047957	050474 046566	046570 046572	18-5/8	17-27/64	21-31-32 22-15/64		
9-7/16 9-1/2	3152	84	043538	042510	040900	13-55/64	13-7/16	18-1/4		
			422545	422594	040901					
10-7/16 10-1/2	3156	94	047940	042036	045778	16-17/32	15-11/64	19-41/64		
			047941	422573	042396					
10-15/16 11	3160	96	047942	042037	045781					
11-15/16 12	3164	100	047943	422588	044440	17-7/16	16-5/32	20-3/4		
			047946	042040	045790					
12-7/16 12-1/2	3168	102	047947	422535	045793	18-5/8	17-23/64	21-15/16		
			047948	046498	046567					
13-7/16 13-1/2	3172	106	047949	046499	046568					
			047952	042092	045802					
13-15/16 14	3176	108	047953	042093	045805					
			047954	042094	045808					
8-15/16 9	3248	90	047955	042095	046569					
9-7/16	3252	84	043571	042544	040899	14-25/32	13-7/16	18-1/4		
			043572	042545	040995					
10-7/16 10-1/2	3256	94	043538	042510	040900	15-31/64	15-1/16	19-7/8		
			422545	422594	040901					
10-15/16 11	3260	96	047940	042036	045778	16-17/32	15-11/64	19-41/64		
			047941	422573	042396					
11-15/16 12	3264	100	047942	042037	045781	17-7/16	16-5/32	20-3/4 20-1/2		
			047943	422588	044440					
12-7/16 12-1/2	3268	102	047946	042040	045790	18-5/8	17-23/64	21-15/16		
			047947	422535	045793					
12-7/16 12-1/2	3268	102	047948	046498	046557	18-5/8	17-23/64	21-61/64		
			047949	046499	046568					

\* Includes Collar

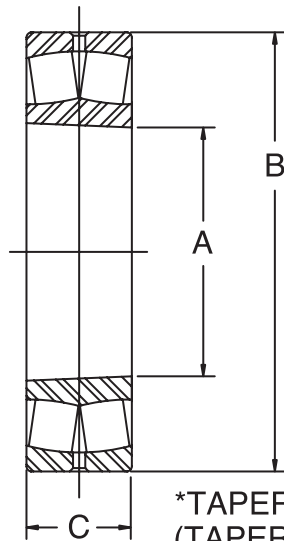
FEATURES/BENEFITS PAGE B11-3	HOW TO ORDER PAGE B11-9	NOMENCLATURE PAGE B11-10	SELECTION/DIMENSIONS PAGE B11-30
---------------------------------	----------------------------	-----------------------------	-------------------------------------



# SELECTION/DIMENSIONS



## USDAF 23000, 23100, 23200 Spherical Roller Bearings



**\*TAPERED BORE  
(TAPER 1:12 ON DIAMETER)**

Housing	Bearing Number	Part Number	Approx. Weight (lbs)	A* inch (mm)	B inch (mm)	C inch (mm)
060	23060K	<b>422582</b>	150	11.8110(300)	18.1102(460)	4.6457(118)
064/064L	23064K	<b>422531</b>	161	12.5984(320)	18.8976(480)	4.7638(121)
068	23068K	<b>421282</b>	218	13.3858(340)	20.4724(520)	5.2362(133)
072/072L	23072K	<b>422036</b>	226	14.1732(360)	21.2598(540)	5.2756(134)
076	23076K	<b>422054</b>	240	14.9606(380)	22.0472(560)	5.3150(135)
080	23080K	<b>421283</b>	309	15.7480(400)	23.6220(600)	5.8268(148)
084	20384K	<b>421284</b>	330	16.5354(420)	24.4094(620)	5.9055(150)
3152	23152K	<b>421294</b>	192	10.2362(260)	17.3228(440)	5.6693(144)
3156	23156K	<b>421285</b>	205	11.0236(280)	18.1102(460)	5.7488(146)
3160	23160K	<b>421286</b>	268	11.8110(300)	19.6850(500)	6.2992(160)
3164	23164K	<b>421287</b>	350	12.5984(320)	21.2598(540)	6.9291(176)
3168	23168K	<b>052081</b>	440	13.3858(340)	22.8346(580)	7.4803(190)
3172	23172K	<b>421288</b>	463	14.1732(360)	23.6220(600)	7.5590(192)
3176	23176K	<b>421289</b>	487	14.9606(380)	24.4094(620)	7.6378(194)
3248	23248K	<b>422511</b>	225	9.4488(240)	17.3228(440)	6.2992(160)
3252	23252K	<b>421290</b>	295	10.2362(260)	18.8976(480)	6.8504(174)
3256	23256K	<b>421291</b>	311	11.0236(280)	19.6850(500)	6.9291(176)
3260	23260K	<b>421292</b>	405	11.8110(300)	21.2598(540)	7.5590(192)
3264	23264K	<b>422844</b>	519	12.5984(320)	22.8346(580)	8.1890(208)
3268	23268K	<b>421293</b>	629	13.3858(340)	24.4094(620)	8.8189(224)

FEATURES/BENEFITS  
PAGE B11-3

HOW TO ORDER  
PAGE B11-9

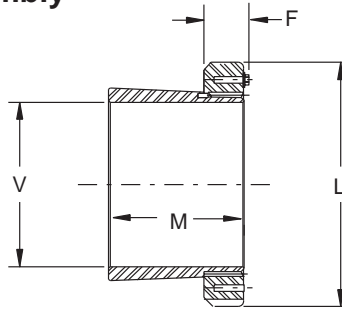
NOMENCLATURE  
PAGE B11-10

SELECTION/DIMENSIONS  
PAGE B11-30

# SELECTION/DIMENSIONS



## USDAF SNP Adapter Assembly



Housing	Bearing Number	SNP Number	Part Number	Approx Weight (Lbs)	V Shaft Size (In.)	L (In.)	F Max (In.)	M (In.)
60	23060K	SNP3060-1015	<b>043581</b>	59.0	10-15/16	14.19	1.94	6.72
		SNP3060-1100	<b>422576</b>	56.8	11			
64	23064K	SNP3064-1107	<b>043582</b>	82.7	11-7/16	15.01	2.03	6.94
		SNP3064-1108	<b>043583</b>	80.5	11-1/2			
064L		SNP3064-1115	<b>043584</b>	65.0	11-15/16			
		SNP3064-1200	<b>422525</b>	62.5	12			
68	23068K	SNP3068-1207	<b>047632</b>	78.0	12-7/16	15.76	2.16	7.53
		SNP3068-1208	<b>047635</b>	75.4	12-1/2			
72	23072K	SNP3072-1215	<b>043635</b>	107.7	12-15/16	16.51	2.16	7.57
		SNP3072-1300	<b>043636</b>	105.0	13			
072L		SNP3072-1307	<b>043637</b>	86.0	13-7/16			
		SNP3072-1308	<b>043638</b>	83.2	13-1/2			
76	23076K	SNP3076-1315	<b>043639</b>	94.3	13-15/16	17.76	2.36	7.73
		SNP3076-1400	<b>043640</b>	91.5	14			
80	23080K	SNP3080-1500	<b>040830</b>	100.0	15	18.51	2.52	8.4
84	23084K	SNP3084-1512	<b>047636</b>	105.0	15-3/4	19.32	2.52	8.49
3152	23152K	SNP3152-907	<b>047630</b>	44.0	9-7/16	12.19	1.77	7.58
		SNP3152-908	<b>047631</b>	42.0	9-1/2			
3156	23156K	H3156-SNP-1007	<b>045431</b>	30.06	10-7/16	13.01	1.85	7.76
		H3156-SNP-1008	<b>047637</b>	28.4	10-1/2			
3160	23160K	H3160-SNP-1015	<b>047638</b>	65.0	10-15/16	14.19	1.94	8.37
		H3160-SNP-1100	<b>045464</b>	62.4	11			
3164	23164K	H3164-SNP-1115	<b>047639</b>	74.0	11-15/16	15.01	2.03	9.1
		H3164-SNP-1200	<b>050531</b>	71.0	12			
3168	23168K	H3168-SNP-1207	<b>047641</b>	117.2	12-7/16	15.76	2.16	9.78
		H3168-SNP-1208	<b>047642</b>	113.8	12-1/2			
3172	23172K	H3172-SNP-1307	<b>047643</b>	120.0	13-7/16	16.51	2.16	9.85
		H3172-SNP-1308	<b>045434</b>	116.3	13-1/2			
3176	23176K	H3176-SNP-1315	<b>047644</b>	125.0	13-15/16	17.76	2.36	10.06
		H3176-SNP-1400	<b>047645</b>	121.1	14			
3248	23248K	SNP-148-815	<b>047628</b>	48.5	8-15/16	11.44	1.7	8.1
		SNP-148-900	<b>047629</b>	46.5	9			
3252	23252K	H3252-SNP-907	<b>047646</b>	54.5	9-7/16	12.19	1.75	8.76
		H3252-SNP-908	<b>047647</b>	52.2	9-1/2			
3256	23256K	H3256-SNP-1007	<b>047648</b>	59.0	10-7/16	13.01	1.85	8.94
		H3256-SNP-1008	<b>047649</b>	56.4	10-1/2			
3260	23260K	H3260-SNP-1015	<b>047678</b>	69.5	10-15/16	14.19	1.94	9.63
		H3260-SNP-1100	<b>047679</b>	65.5	11			
3264	23264K	H3264-SNP-1115	<b>047680</b>	98.0	11-15/16	15.01	2.03	10.36
		H3264-SNP-1200	<b>422843</b>	94.5	12			
3268	23268K	H3268-SNP-1207	<b>047681</b>	132.1	12-7/16	15.76	2.16	11.12
		H3268-SNP-1208	<b>047682</b>	128.2	12-1/2			

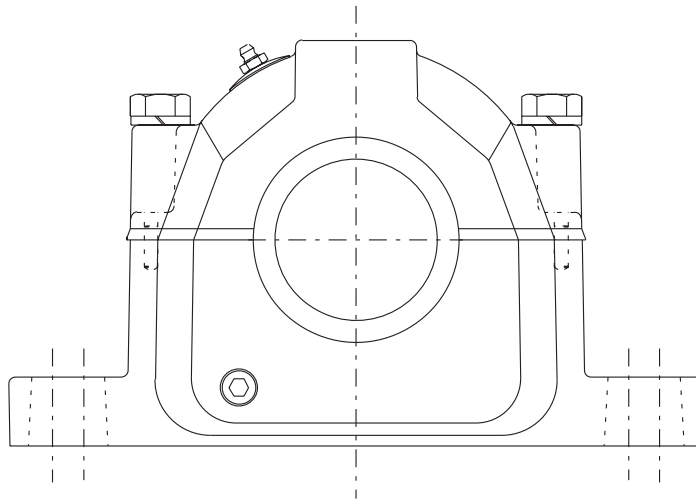
FEATURES/BENEFITS PAGE B11-3	HOW TO ORDER PAGE B11-9	NOMENCLATURE PAGE B11-10	SELECTION/DIMENSIONS PAGE B11-30
---------------------------------	----------------------------	-----------------------------	-------------------------------------



# SELECTION/DIMENSIONS



## USAF 600 Adapter Mount Pillow Block with TRIPLE-TECT Seal Assembly



**Table 17: Radial & Thrust Factors For USAF Spherical Bearings**

Shaft Size		Bearing Series	e	FA/FR ≤ e		FA/FR > e		Adapter Maximum Allowable Thrust Load Pound †	Dynamic Capacity (C) Pounds	Static Capacity (Co) Lbs.	Maximum RPM	
Adapter Mounted Inches	Direct Mount mm			X	Y	X	Y				Grease	Oil
1-11/16	50	22310	.36	1	1.9	0.67	2.8	1348	51,000	50,000	3400	4300
1-15/16	55	22311	.36	1	1.9	0.67	2.8	1672	60,000	58,500	3200	4000
	60	22312	.35	1	1.9	0.67	3	-	69,500	69,500	2800	3600
2-3/16	65	22313	.34	1	2	0.67	3	2104	78,000	81,500	2600	3400
	70	22314	.34	1	2	0.67	3	-	86,500	86,500	2400	3200
2-7/16	75	22315	.34	1	2	0.67	3	2782	100,000	102,000	2200	3000
2-11/16	80	22316	.34	1	2	0.67	3	3128	112,000	114,000	2200	3000
2-15/16	85	22317	.33	1	2	0.67	3	3438	122,000	125,000	2000	2800
3-7/16	100	22320	.34	1	2	0.67	3	4920	183,000	208,000	1700	2200
3-15/16	110	22322	.33	1	2.1	0.67	3.1	5934	212,000	240,000	1500	1900
4-3/16	120	22324	.33	1	2.1	0.67	3.1	6959	240,000	265,000	1400	1800
4-7/16	130	22326	.33	1	2.1	0.67	3.1	8152	280,000	310,000	1300	1700
4-15/16	140	22328	.34	1	2	0.67	3	9628	325,000	365,000	1200	1600
5-3/16	150	22330	.33	1	2	0.67	3	10923	365,000	415,000	1100	1500
5-7/16	160	22332	.37	1	1.8	0.67	2.7	12298	325,000	365,000	1000	1400
5-15/16	170	22334	.37	1	1.8	0.67	2.7	13755	360,000	475,000	950	1300
6												
6-15/16	190	22338	.28	1	2.4	0.67	3.6	11786	270,000	415,000	1200	1300
			.37	1	1.8	0.67	2.7	16910	415,000	570,000	850	1100

If the thrust load exceeds adapter maximum allowable thrust load, auxiliary methods of carrying thrust are required.

FEATURES/BENEFITS PAGE B11-3	HOW TO ORDER PAGE B11-9	NOMENCLATURE PAGE B11-10	SELECTION/DIMENSIONS PAGE B11-30
---------------------------------	----------------------------	-----------------------------	-------------------------------------

# SELECTION/DIMENSIONS



## USAF 600 Adapter Mount Pillow Block with TRIPLE-TECT Seal Assembly

Shaft Dia S-1	Complete Pillow Block Part #	Housing W/ Stab Ring Part No.	Bearing Part No.	Dynamic Capacity (C), lbs.**	Max RPM (Grease)	SNW Part No.	TRIPLE-TECT Part No.	TTDN Part No.	# LER Part No.	End Cover
1-11/16	P2B610-USAF-111TT 035929	H2S-610-USAF 035431	BRG22310KC3 423372	42,500	3,400	H2310-SNW-111 046680	10TT111 043579	---	10LER111 * 042199	EC10 040701
1-15/16	P2B611-USAF-115TT 039404	H2S-611-USAF 039760	BRG22311KC3 423102	50,000	3,200	H2311-SNW-115 046551	12TT115 043540	12TTDN115 039582	12LER115 042512	EC12 040702
	P4B611-USAF-115TT 039413	H4S-611-USAF 039762	BRG22311KC3 423102	50,000	3,200	H2311-SNW-115 046551	12TT115 043540	12TTDN115 039582	12LER115 042512	EC12 040702
2-3/16	P2B613-USAF-203TT 039405	H2S-613-USAF 039764	BRG22313KC3 423104	65,500	2,600	H2313-SNW-203 046552	14TT203 043541	14TTDN203 039583	14LER203 042513	EC14 040703
	P4B613-USAF-203TT 039414	H4S-613-USAF 039766	BRG22313KC3 423104	65,500	2,600	H2313-SNW-203 046552	14TT203 043541	14TTDN203 039583	14LER203 042513	EC14 040703
2-7/16	P2B615-USAF-207TT 039406	H2S-615-USAF 039768	BRG22315KC3 423106	83,000	2,200	H2315-SNW-207 046553	20TT207 043542	20TTDN207 039538	20LER207 042514	EC20 040704
	P4B615-USAF-207TT 039415	H4S-615-USAF 039770	BRG22315KC3 423106	83,000	2,200	H2315-SNW-207 046553	20TT207 043542	20TTDN207 039538	20LER207 042514	EC20 040704
2-11/16	P2B616-USAF-211TT 035930	H2S-616-USAF 035432	BRG22316KC3 423373	93,000	2,200	H2316-SNW-211 046682	24TT211 043544	24TTDN211 039855	24LER211 042516	EC24 040705
	P4B616-USAF-211TT 035931	H4S-616-USAF 035433	BRG22316KC3 423373	93,000	2,200	H2316-SNW-211 046682	24TT211 043544	24TTDN211 039855	24LER211 042516	EC24 040705
2-15/16	P2B617-USAF-215TT 039407	H2S-617-USAF 039772	BRG22317KC3 423108	102,000	2,000	H2317-SNW-215 046554	28TT215 043546	28TTDN215 039530	28LER215 042518	EC28 040706
	P4B617-USAF-215TT 039416	H4S-617-USAF 039774	BRG22317KC3 423108	102,000	2,000	H2317-SNW-215 046554	28TT215 043546	28TTDN215 039530	28LER215 042518	EC28 040706
3-7/16	P4B620-USAF-307TT 039417	H4S-620-USAF 039776	BRG22320KC3 423110	146,000	1,700	H2320-SNW-307 046555	46TT307 043549	46TTDN307 039859	46LER307 042521	EC46 040708
3-15/16	P4B622-USAF-315TT 039418	H4S-622-USAF 039778	BRG22322KC3 423112	180,000	1,500	H2322-SNW-315 046556	50TT315 043551	50TTDN315 039861	50LER315 042523	EC50 040709
4-3/16	P4B624-USAF-403TT 039419	H4S-624-USAF 039780	BRG22324KC3 422140	204,000	1,400	H2324-SNW-403 046557	52TT403 043553	52TTDN403 039863	52LER403 042525	EC52 040710
4-7/16	P4B626-USAF-407TT 039420	H4S-626-USAF 039781	BRG22326KC3 423114	236,000	1,300	H2326-SNW-407 046558	54TT407 043554	54TTDN407 039864	54LER407 042526	EC54 040711
4-15/16	P4B628-USAF-415TT 039421	H4S-628-USAF 039553	BRG22328KC3 422035	275,000	1,200	H2328-SNW-415 046559	56TT415 043556	56TTDN415 039866	56LER415 042528	EC56 040712
5-3/16	P4B630-USAF-503TT 039422	H4S-630-USAF 039782	BRG22330KC3 423116	310,000	1,100	H2330-SNW-503 046560	58TT503 043558	---	58LER503 042530	EC58 040713
5-7/16	P4B632-USAF-507TT 039423	H4S-632-USAF 039783	BRG22332KC3 423118	325,000	1,000	H2332-SNW-507 046561	60TT507 043559	---	60LER507 042531	EC60 040714
5-15/16	P4B634-USAF-515TT 039424	H4S-634-USAF 039784	BRG22334KC3 423120	360,000	950	H2332-SNW-515 046562	64TT515 043560	---	64LER515 042533	EC64 040681
6	P4B634-USAF-600TT 039425	H4S-634-USAF 039784	BRG22334KC3 423120	360,000	950	H2334-SNW-600 046563	64TT600 043561	---	64LER600 042534	EC64 040681
6-15/16	P4B638-USAF-615TT 039426	H4S-638-USAF 039785	BRG22338KC3 423122	415,000	850	H2338-SNW-615 046564	72TT615 043564	---	72LER615 042537	EC72 040683
7	P4B638-USAF-700TT 039427	H4S-638-USAF 039785	BRG22338KC3 423122	415,000	850	H2338-SNW-700 046565	72TT700 043565	---	72LER700 042538	EC72 040683

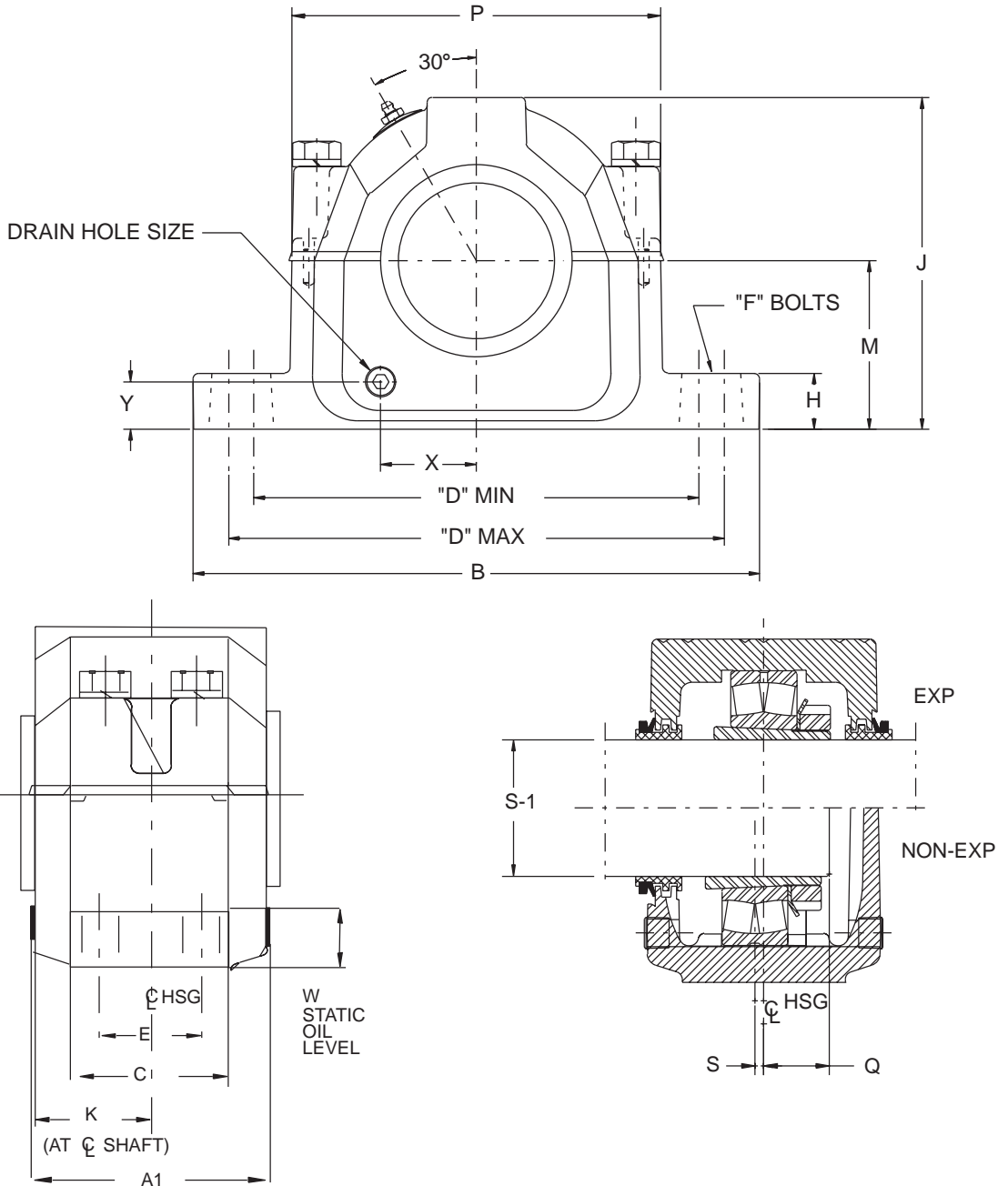
# NOTE: LER seals are made from Aluminum unless otherwise noted by the \* symbol.  
If an \* appears by the part number, the LER seal is manufactured from Steel.

FEATURES/BENEFITS PAGE B11-3	HOW TO ORDER PAGE B11-9	NOMENCLATURE PAGE B11-10	SELECTION/DIMENSIONS PAGE B11-30
---------------------------------	----------------------------	-----------------------------	-------------------------------------

# SELECTION/DIMENSIONS



## USAF 600 Housing Dimensions - Inch



FEATURES/BENEFITS PAGE B11-3	HOW TO ORDER PAGE B11-9	NOMENCLATURE PAGE B11-10	SELECTION/DIMENSIONS PAGE B11-30
---------------------------------	----------------------------	-----------------------------	-------------------------------------

# SELECTION/DIMENSIONS



## USAF 600 Housing Dimensions - Inch

S1 Shaft Size	Housing	A1 ▲	B	C	D				E	F	
					2-Bolt		4-Bolt			Bolt Dia.	
					Min	Max	Min	Max		2-Bolt	4-Bolt
1-11/16	610	4-45/64	10-5/8	2-3/4	7-3/4	9	-	-	-	5/8	-
1-15/16	611	4-41/64	11	3-1/8	8-1/8	9-1/2	8-1/8	9-1/2	1-7/8	5/8	1/2
2-3/16	613	5-7/16	12-19/32	3-1/2	9-5/8	11	9-5/8	11	2-1/8	3/4	5/8
2-7/16	615	6-5/32	13-5/8	3-7/8	10-1/4	11-3/4	10-3/8	11-5/8	2-1/8	3/4	5/8
2-11/16	616	6-3/8	14-11/64	3-7/8	10-7/8	12-3/8	10-5/8	12-1/2	2-1/8	3/4	5/8
2-15/16	617	6-25/32	15-23/64	4-11/32	11-5/8	13-1/8	11-5/8	13-1/8	2-3/8	7/8	3/4
3-7/16	620	8-3/64	16-1/2	4-23/32	-	-	13-1/4	14-1/2	2-3/4	-	3/4
3-15/16	622	8-17/64	18-3/8	5-1/8	-	-	14-1/2	16	3-1/4	-	7/8
4-3/16	624	9-23/64	20-7/8	6-1/4	-	-	16-3/4	18-1/4	3-3/4	-	1
4-7/16	626	9-59/64	21-21/32	6-1/4	-	-	17-3/8	19-1/4	3-3/4	-	1
4-15/16	628	9-29/32	24-3/4	6-3/4	-	-	19-3/8	21-5/8	4-1/4	-	1
5-3/16	630	10-13/32	26-3/4	7-1/8	-	-	20-7/8	23-5/8	4-5/8	-	1
5-7/16	632	10-13/16	28	7-1/2	-	-	21-5/8	24-3/8	4-1/2	-	1-1/4
5-15/16 6	634	11-17/32	28-3/4	8	-	-	22-1/2	25	5	-	1-1/4
6-15/16 7	638	12-19/64	32-3/4	8-7/8	-	-	24-3/4	27-7/8	5-1/4	-	1-1/2

S-1 Shaft Size	Housing	H	J	K	M	P	Q ★	S ●	W Static Oil Level	X	Y	Drain Hole Size
1-11/16	610	1-13/32	5-23/32	2-13/64	3	6-1/8	1-3/8	7/32	1-3/8	1-17/32	63/64	1/8-27NPSI
1-15/16	611	1-9/32	6-3/16	2-5/32	3-1/4	6-1/2	1-27/64	1/8	1-7/16	1-21/32	1-1/32	1/8-27NPSI
2-3/16	613	1-1/16	6-3/4	2-27/64	3-1/2	7-15/16	1-37/64	3/16	1-13/32	1-31/32	61/64	1/4-18NPSF
2-7/16	615	1-7/16	7-3/4	2-27/32	4	8-21/32	1-49/64	3/16	1-19/32	2-1/4	1-1/8	3/8-18NPSF
2-11/16	616	1-7/32	8-1/4	2-61/64	4-1/4	9-1/32	1-53/64	3/16	1-11/16	2-3/8	1-11/64	3/8-18NPSF
2-15/16	617	1-21/32	8-3/4	3-5/32	4-1/2	9-25/32	1-29/32	3/16	1-3/4	2-5/8	1-1/4	3/8-18NPSF
3-7/16	620	1-1/2	10-1/4	3-41/64	5-1/4	11-1/4	2-19/64	3/16	2-1/32	3-3/16	1-3/8	1/2-14NPSF
3-15/16	622	2-1/16	11-17/32	3-3/4	6	12-13/32	2-1/2	3/16	2-13/32	3-5/16	1-5/8	1/2-14NPSF
4-3/16	624	2-3/8	12-1/2	4-21/64	6-5/16	14-5/16	2-41/64	3/16	2-3/8	3-19/32	1-21/64	1/2-14NPSF
4-7/16	626	2-11/32	13-5/16	4-5/8	6-11/16	14-29/32	2-27/32	3/16	2-7/16	4-1/32	1-21/64	1/2-14NPSF
4-15/16	628	2-7/8	14-9/16	4-5/8	7-1/16	16-13/16	3-3/32	3/16	2-9/16	4-5/32	1-21/64	1/2-14NPSF
5-3/16	630	3	15-1/8	4-7/8	7-1/2	17-3/16	3-17/64	3/16	2-5/8	4-7/32	1-5/8	1/2-14NPSF
5-7/16	632	3-1/8	15-13/16	5-1/16	7-7/8	18	3-7/16	3/16	2-11/16	4-3/4	1-39/64	1/2-14NPSF
5-15/16 6	634	3-3/8	16-5/8	5-7/16	8-1/4	19	3-19/32	3/16	2-3/4	4-29/32	1-17/32	1/2-14NPSF
6-15/16 7	638	3-3/4	18-7/8	5-13/16	9-1/2	21-1/4	3-57/64	3/16	3-3/8	5-7/16	2-1/32	1/2-14NPSF

- ▲ Housing width with drain plugs
- ★ Distance shaft should extend beyond housing centerline if pillow block is closed end style
- Non-expansion bearing offset from centerline. For expansion bearing S = 0.

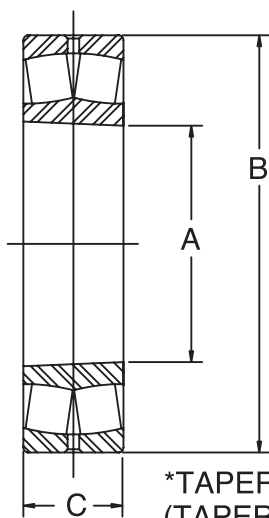
FEATURES/BENEFITS PAGE B11-3	HOW TO ORDER PAGE B11-9	NOMENCLATURE PAGE B11-10	SELECTION/DIMENSIONS PAGE B11-30
---------------------------------	----------------------------	-----------------------------	-------------------------------------



# SELECTION/DIMENSIONS



## USAF 22300K Spherical Roller Bearings



**\*TAPERED BORE  
(TAPER 1:12 ON DIAMETER)**

Shaft Size (Inch)	Housing	Bearing No.	Part No.	Approx. Wt (lbs)	A* Inch (mm)	B Inch (mm)	C Inch (mm)
1-7/16	609	22309K	<b>423100</b>	3.0	1.7717 (45)	3.9370 (100)	1.4171 (36)
1-11/16	610	22310K	<b>423372</b>	3.9	1.9685 (50)	4.3307 (110)	1.5748 (40)
1-15/16	611	22311K	<b>423102</b>	5.1	2.1654 (55)	4.7244 (120)	1.6929 (43)
2-3/16	613	22313K	<b>423104</b>	7.8	2.5591 (65)	5.5118 (140)	1.8898 (48)
2-7/16	615	22315K	<b>423106</b>	11.5	2.9528 (75)	6.2992 (160)	2.1654 (55)
2-11/16	616	22316K	<b>423373</b>	13.1	3.1496 (80)	6.6929 (170)	2.2835 (58)
2-15/16	617	22317K	<b>423108</b>	15.7	3.3465 (85)	7.0866 (180)	2.3622 (60)
3-7/16	620	22320K	<b>423110</b>	28.0	3.9370 (100)	8.4646 (215)	2.8740 (73)
3-15/16	622	22322K	<b>423112</b>	38.8	4.3307 (110)	9.4488 (240)	3.1496 (80)
4-3/16	624	22324K	<b>422140</b>	48.3	4.7244 (120)	10.2362 (260)	3.3858 (86)
4-7/16	626	22326K	<b>423114</b>	59.7	5.1181 (130)	11.0236 (280)	3.6614 (93)
4-15/16	628	22328K	<b>422035</b>	75.4	5.5118 (140)	11.8110 (300)	4.0157 (102)
5-3/16	630	22330K	<b>423116</b>	90.4	5.9055 (150)	12.5984 (320)	4.2520 (108)
5-7/16	632	22332K	<b>423118</b>	113.0	6.2992 (160)	13.3858 (340)	4.4882 (114)
5-15/16 6	634	22334K	<b>423120</b>	132.0	6.6929 (170)	14.1732 (360)	4.7244 (120)
6-15/16 7	638	22338K	<b>423122</b>	179.0	7.4803 (190)	15.7480 (400)	5.1969 (132)

FEATURES/BENEFITS  
PAGE B11-3

HOW TO ORDER  
PAGE B11-9

NOMENCLATURE  
PAGE B11-10

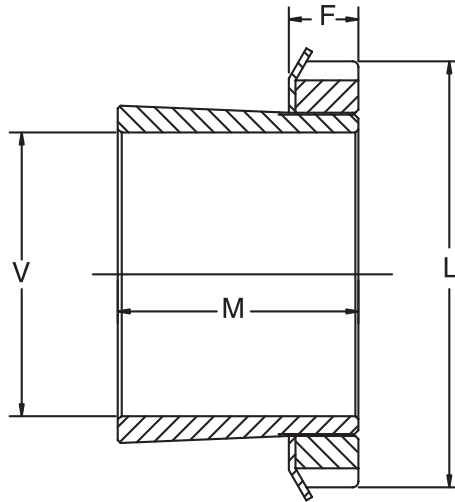
SELECTION/DIMENSIONS  
PAGE B11-30



# SELECTION/DIMENSIONS



## USAF 600 Adapter Assembly (SNW)



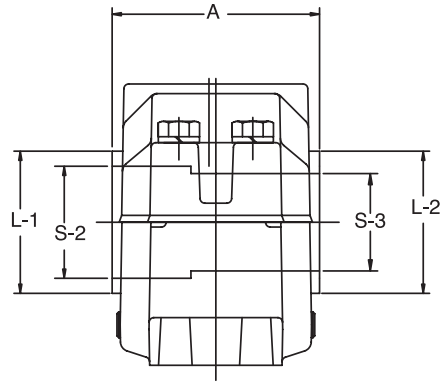
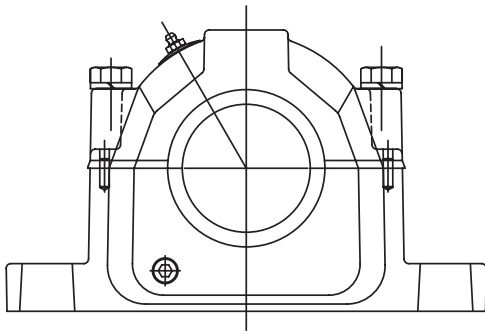
V Shaft Dia. (Inch)	Housing	Adapter Number	Part Number	Aprox. Wt (Lbs)	L (in)	F Max (In)	M (In)
1-7/16	609	H2309-107	<b>046550</b>	.63	2.53	.52	1.97
1-11/16	610	H2310-111	<b>046680</b>	.80	2.69	.58	2.17
1-15/16	611	H2311-115	<b>046551</b>	.86	2.97	.58	2.32
2-3/16	613	H2313-203	<b>046552</b>	1.5	3.38	.64	2.56
2-7/16	615	H2315-207	<b>046553</b>	2.55	3.88	.69	2.87
2-11/16	616	H2316-211	<b>046682</b>	3.0	4.16	.69	3.07
2-15/16	617	H2317-215	<b>046554</b>	3.2	4.41	.72	3.23
3-7/16	620	H2320-307	<b>046555</b>	5.3	5.19	.83	3.82
3-15/16	622	H2322-315	<b>046556</b>	5.75	5.72	.86	4.13
4-3/16	624	H2324-403	<b>046557</b>	7.4	6.12	.92	4.41
4-7/16	626	H2326-407	<b>046558</b>	10.7	6.75	.95	4.76
4-15/16	628	H2328-415	<b>046559</b>	12.0	7.09	1.02	5.16
5-3/16	630	H2330-503	<b>046560</b>	15.6	7.69	1.08	5.47
5-7/16	632	H2332-507	<b>046561</b>	21.7	8.06	1.14	5.79
5-15/16	634	H2334-515	<b>046562</b>	22.0	8.66	1.23	8.06
6		H2334-600	<b>046563</b>	21.0			
6-15/16	638	H2338-615	<b>046564</b>	22.9	9.47	1.30	6.65
7		H2338-700	<b>046565</b>	21.6			

FEATURES/BENEFITS PAGE B11-3	HOW TO ORDER PAGE B11-9	NOMENCLATURE PAGE B11-10	SELECTION/DIMENSIONS PAGE B11-30
---------------------------------	----------------------------	-----------------------------	-------------------------------------

# SELECTION/DIMENSIONS



## USAF 200 Direct Mount Pillow Block with TRIPLE-TECT Seal Assembly



FEATURES/BENEFITS PAGE B11-3	HOW TO ORDER PAGE B11-9	NOMENCLATURE PAGE B11-10	SELECTION/DIMENSIONS PAGE B11-30
---------------------------------	----------------------------	-----------------------------	-------------------------------------

# SELECTION/DIMENSIONS



## USAF 200 Direct Mount Pillow Block with TRIPLE-TECT Seal Assembly

Shaft Dia.		Bearing Bore mm.	Complete Pillow Block Part #	Housing Part No. **	Bearing Part No.	Dynamic Capacity (C), lbs.	Max RPM (Grease)	Locknut Part No.
S-2	S-3							
3-7/16	2-13/16	75	P2B215-USAF-307TT 039175	H2S-215-USAF 039682	BRG22215C3 421265	41,500	3,400	AN15 460901
			P4B215-USAF-307TT 039177	H4S-215-USAF 039684	BRG22215C3 421265	41,500	3,400	AN15 460901
3-5/8	3	80	P2B216-USAF-310TT 039179	H2S-216-USAF 039686	BRG22216C3 421266	46,500	3,200	AN16 460902
			P4B216-USAF-310TT 039181	H4S-216-USAF 039688	BRG22216C3 421266	46,500	3,200	AN16 460902
3-15/16	3-3/16	85	P2B217-USAF-315TT 039183	H2S-217-USAF 039690	BRG22217C3 421267	58,500	3,000	AN17 460903
			P4B217-USAF-315TT 039185	H4S-217-USAF 039692	BRG22217C3 421267	58,500	3,000	AN17 460903
4-1/8	3-3/8	90	P2B218-USAF-402TT 039187	H2S-218-USAF 039694	BRG22218C3 421268	64,000	2,600	AN18 460904
			P4B218-USAF-402TT 039189	H4S-218-USAF 039696	BRG22218C3 421268	64,000	2,600	AN18 460904
4-1/2	3-13/16	100	P2B220-USAF-408TT 039191	H2S-220-USAF 039698	BRG22220C3 421269	80,000	2,200	AN20 460905
			P4B220-USAF-408TT 039193	H4S-220-USAF 039700	BRG22220C3 421269	80,000	2,200	AN20 460905
4-7/8	4-3/16	110	P4B222-USAF-414TT 039195	H4S-222-USAF 039702	BRG22222C3 421270	102,000	2,000	AN22 460906
5-5/16	4-9/16	120	P4B224-USAF-505TT 039197	H4S-224-USAF 039704	BRG22224C3 421271	120,000	1,900	AN24 041071
5-7/8	4-15/16	130	P4B226-USAF-514TT 039199	H4S-226-USAF 039706	BRG22226C3 421272	143,000	1,800	AN26 041064
6-1/4	5-5/16	140	P4B228-USAF-604TT 039201	H4S-228-USAF 039708	BRG22228C3 421273	166,000	1,700	AN28 041065
6-5/8	5-3/4	150	P4B230-USAF-610TT 039203	H4S-230-USAF 039710	BRG22230C3 421274	190,000	1,600	AN30 041072
7	6-1/16	160	P4B232-USAF-700TT 039205	H4S-232-USAF 039711	BRG22232C3 421275	216,000	1,500	AN32 041066
7-7/16	6-7/16	170	P4B234-USAF-707TT 039207	H4S-234-USAF 039712	BRG22234C3 421276	250,000	1,300	AN34 041067
7-13/16	6-7/8	180	P4B236-USAF-713TT 039209	H4S-236-USAF 039713	BRG22236C3 421277	255,000	1,300	AN36 041070
8-3/8	7-1/4	190	P4B238-USAF-806TT 039211	H4S-238-USAF 039714	BRG22238C3 421278	270,000	1,200	AN38 041068
8-3/4	7-5/8	200	P4B240-USAF-812TT 039213	H4S-240-USAF 039715	BRG22240C3 421279	300,000	900	AN40 040838
9-9/16	8-5/16	220	P4B244-USAF-909TT 039215	H4S-244-USAF 039716	BRG22244C3 421280	365,000	950	AN44 041069

IMPERIAL - USAF

UNIFIED SAF

International Bearings

Sleeve Bearing

SLEEVOIL

FEATURES/BENEFITS PAGE B11-3	HOW TO ORDER PAGE B11-9	NOMENCLATURE PAGE B11-10	SELECTION/DIMENSIONS PAGE B11-30
---------------------------------	----------------------------	-----------------------------	-------------------------------------



# SELECTION/DIMENSIONS



## USAF 200 Direct Mount Pillow Block With TRIPLE-TECT Seal Assembly

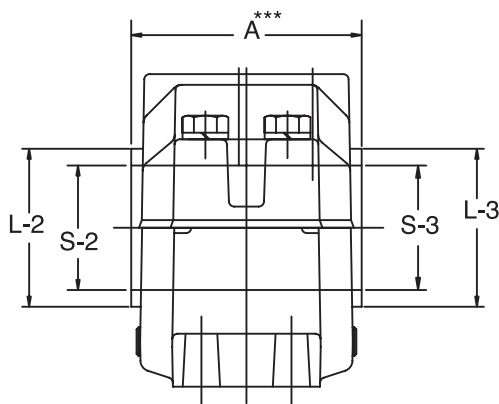
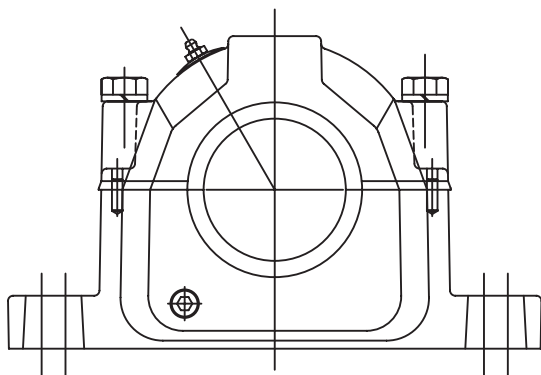
IMPERIAL - ISAF

UNIFIED SAF

International Bearings

Sleeve Bearing

SLEEVOIL



FEATURES/BENEFITS PAGE B11-3	HOW TO ORDER PAGE B11-9	NOMENCLATURE PAGE B11-10	SELECTION/DIMENSIONS PAGE B11-30
---------------------------------	----------------------------	-----------------------------	-------------------------------------

# SELECTION/DIMENSIONS



## USAF 200 Direct Mount Pillow Block With TRIPLE-TECT Seal Assembly

Shaft Dia.		Bearing Bore mm.	Lock washer Part No.	TRIPLE-TECT Part No.		TTDN Part No.		# LER Part No.		End Cover Part No.
S-2	S-3			S2	S3	S2	S3	S2	S3	
3-7/16	2-13/16	75	W15 419150	33TT307 046401	24TT213 046400	33TTDN307 039568	24TTDN213 039289	33LER307 *045928	24LER213 *045927	EC24 040705
			W15 419150	33TT307 046401	24TT213 046400	33TTDN307 039568	24TTDN213 039289	33LER307 045928	24LER213 045927	EC24 040705
3-5/8	3	80	W16 419152	38TT310 046402	28TT300 043547	38TTDN310 039291	28TTDN300 039857	38LER310 045931	28LER300 042519	EC28 040706
			W16 419152	38TT310 046402	28TT300 043547	38TTDN310 039291	28TTDN300 039857	38LER310 045931	28LER300 042519	EC28 040706
3-15/16	3-3/16	85	W17 419154	42TT315 046404	32TT303 046403	42TTDN315 039515	32TTDN303 039292	42LER315 042089	32LER303 042088	---
			W17 419154	42TT315 046404	32TT303 046403	42TTDN315 039515	32TTDN303 039292	42LER315 042089	32LER303 042088	---
4-1/8	3-3/8	90	W18 419156	44TT402 046406	36TT306 046405	---	---	44LER402 *045936	36LER306 *045934	---
			W18 419156	44TT402 046406	36TT306 046405	---	---	44LER402 *045936	36LER306 *045934	---
4-1/2	3-13/16	100	W20 419158	54TT408 043555	50TT313 046407	---	---	54LER408 042527	50LER313 045939	EC50 040709
			W20 419158	54TT408 043555	50TT313 046407	---	---	54LER408 042527	50LER313 045939	EC50 040709
4-7/8	4-3/16	110	W22 419160	56TT414 046408	52TT403 043553	56TTDN414 039297	52TTDN403 039863	56LER414 042098	52LER403 042525	EC52 040710
5-5/16	4-9/16	120	W24 419162	58TT510 046411	54TT409 046409	---	---	58LER505 042248	54LER409 045943	EC54 040711
5-7/8	4-18/16	130	W26 419164	62TT514 046410	56TT415 043556	---	---	62LER514 042085	56LER415 042528	EC56 040712
6-1/4	5-5/16	140	W28 419166	66TT604 046412	58TT505 046411	---	---	66LER604 042249	58LER505 042248	EC58 040713
6-5/8	5-3/4	150	W30 419168	70TT610 046414	62TT512 046413	---	---	70LER610 045951	62LER512 045949	---
7	6-1/16	160	W32 419170	72TT700 043565	64TT601 046415	---	---	72LER700 042538	64LER601 042953	EC64 040681
7-7/16	6-7/16	170	W34 419172	76TT707 046416	68TT607 043562	---	---	76LER707 042049	68LER607 042535	EC68 040682
7-13/16	6-7/8	180	W36 419174	78TT711 046417	72TT614 046418	---	---	78LER711 042221	72LER614 042220	EC72 040683
8-3/8	7-1/4	190	W38 419176	80TT806 046420	74TT704 046419	---	---	*80LER806 042031	*74LER704 042032	---
8-3/4	7-5/8	200	W40 419171	82TT812 046423	76TT710 046422	---	---	*82LER812 045956	*76LER710 045955	EC76 040684
9-9/16	8-5/16	220	W44 419178	84TT909 046425	80TT805 046424	---	---	*84LER909 042029	*80LER805 042028	---

# NOTE: LER seals are made from Aluminum unless otherwise noted by the \* symbol.

If an \* appears by the part number, the LER seal is manufactured from Steel.

FEATURES/BENEFITS PAGE B11-3	HOW TO ORDER PAGE B11-9	NOMENCLATURE PAGE B11-10	SELECTION/DIMENSIONS PAGE B11-30
---------------------------------	----------------------------	-----------------------------	-------------------------------------

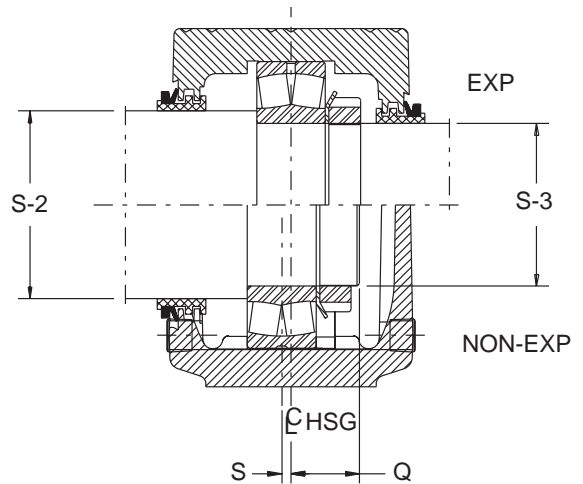
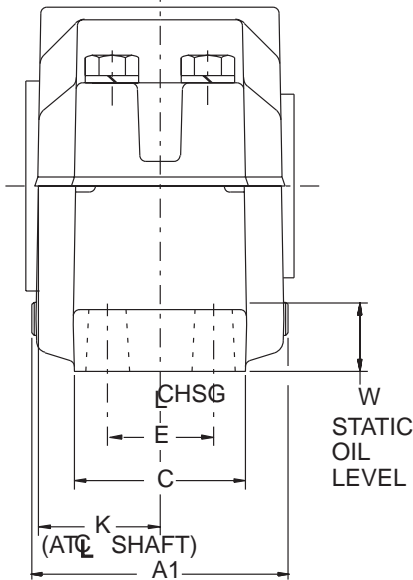
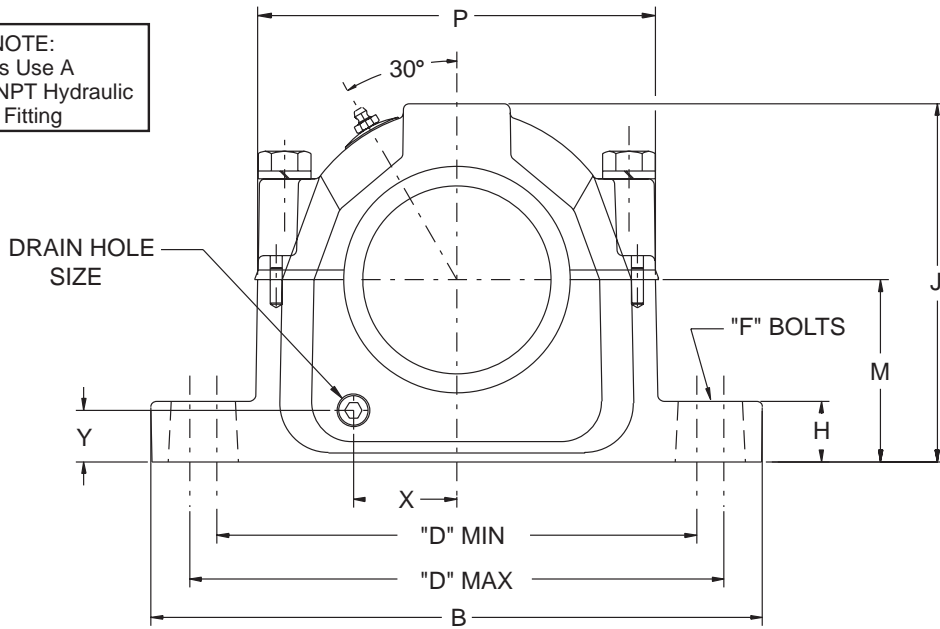


# SELECTION/DIMENSIONS



## USAF 200 Housing Dimensions - Inch

**LUBE NOTE:**  
All Sizes Use A  
1/8-27 NPT Hydraulic  
Grease Fitting



IMPERIAL - ISAF

UNIFIED SAF

International Bearings

Sleeve Bearing

SLEEVOIL

FEATURES/BENEFITS PAGE B11-3	HOW TO ORDER PAGE B11-9	NOMENCLATURE PAGE B11-10	SELECTION/DIMENSIONS PAGE B11-30
---------------------------------	----------------------------	-----------------------------	-------------------------------------

# SELECTION/DIMENSIONS



## USAF 200 Housing Dimensions - Inch

S-2 Shaft Size	S-3 Shaft Size	Housing	A1 ▲	B	C	D				E	F	
						2-Bolt		4-Bolt			Bolt Dia.	
						Min	Max	Min	Max		H	J
3-7/16	2-13/16	215	5-13/64	11-1/8	3-1/8	8-5/8	9-5/8	8-5/8	9-5/8	1-7/8	5/8	1/2
3-5/8	3	216	5-7/16	12-19/32	3-1/2	9-5/8	11	9-5/8	11	2-1/8	3/4	5/8
3-15/16	3-3/16	217	5-25/64	12-19/32	3-1/2	9-7/8	11	9-7/8	11	2-1/8	3/4	5/8
4-1/8	3-3/8	218	6-5/32	13-5/8	3-7/8	10-1/4	11-3/4	10-3/8	11-5/8	2-1/8	3/4	5/8
4-1/2	3-13/16	220	6-25/32	15-23/64	4-11/32	11-5/8	13-1/8	11-5/8	13-1/8	2-3/8	7/8	3/4
4-7/8	4-3/16	222	7-5/64	16-1/2	4-3/4	-	-	12-19/32	14-1/2	2-3/4	-	3/4
5-5/16	4-9/16	224	8-3/64	16-1/2	4-23/32	-	-	13-1/4	14-1/2	2-3/4	-	3/4
5-7/8	4-15/16	226	8-17/64	18-3/8	5-1/8	-	-	14-1/2	16	3-1/4	-	7/8
6-1/4	5-5/16	228	8-49/64	19-11/16	5-7/8	-	-	15-5/8	17-3/8	3-3/8	-	1
6-5/8	5-3/4	230	9-23/64	20-7/8	6-1/4	-	-	16-3/4	18-1/4	3-3/4	-	1
7	6-1/16	232	9-59/64	21-21/32	6-1/4	-	-	17-3/8	19-1/4	3-3/4	-	1
7-7/16	6-7/16	234	9-29/32	24-3/4	6-3/4	-	-	19-3/8	21-5/8	4-1/4	-	1
7-13/16	6-7/8	236	10-13/32	26-3/4	7-1/8	-	-	20-7/8	23-5/8	4-5/8	-	1
8-3/8	7-1/4	238	10-13/16	28	7-1/2	-	-	21-5/8	24-3/8	4-1/2	-	1-1/4
8-3/4	7-5/8	240	11-17/32	28-3/4	8	-	-	22-1/2	25	5	-	1-1/4
9-9/16	8-5/16	244	12-19/64	32-3/4	8-7/8	-	-	24-3/4	27-7/8	5-1/4	-	1-1/2

S-2 Shaft Size	S-3 Shaft Size	Housing	H	J	K	M	P	Q ★	S ●	W Static Oil Level	X	Y	Drain Hole Size
3-7/16	2-13/16	215	1-1/4	6-7/16	2-5/16	3-1/4	7-1/16	1-25/64	1/8	1-5/32	1-25/32	7/8	1/4-18NPSF
3-5/8	3	216	1-1/16	6-3/4	2-27/64	3-1/2	7-15/16	1-7/16	3/16	1-1/4	1-31/32	61/64	1/4-18NPSF
3-15/16	3-3/16	217	1-1/4	7-3/8	2-15/32	3-3/4	8-3/16	1-1/2	3/16	1-3/8	2-1/8	1-1/16	3/8-18NPSF
4-1/8	3-3/8	218	1-7/16	7-3/4	2-27/32	4	8-21/32	1-23/32	3/16	1-15/32	2-1/4	1-1/8	3/8-18NPSF
4-1/2	3-13/16	220	1-21/32	8-3/4	3-5/32	4-1/2	9-25/32	1-59/64	3/16	1-41/64	2-5/8	1-1/4	3/8-18NPSF
4-7/8	4-3/16	222	1-25/32	9-13/32	3-19/64	4-15/16	10-19/32	2-3/32	3/16	1-51/64	2-7/8	1-11/32	3/8-18NPSF
5-5/16	4-9/16	224	1-1/2	10-1/4	3-41/64	5-1/4	11-1/4	2-9/32	3/16	1-27/32	3-3/16	1-3/8	1/2-14NPSF
5-7/8	4-15/16	226	2-1/16	11-17/32	3-3/4	6	12-13/32	2-15/32	3/16	2-11/32	3-5/16	1-5/8	1/2-14NPSF
6-1/4	5-5/16	228	2-1/16	11-13/16	4	6	13-1/4	2-29/64	3/16	2-1/32	3-5/8	1-15/32	1/2-14NPSF
6-5/8	5-3/4	230	2-3/8	12-1/2	4-21/64	6-5/16	14-5/16	2-39/64	3/16	2-1/32	3-19/32	1-21/64	1/2-14NPSF
7	6-1/16	232	2-11/32	13-5/16	4-5/8	6-11/16	14-29/32	2-31/32	3/16	2-3/32	4-1/32	1-21/64	1/2-14NPSF
7-7/16	6-7/16	234	2-7/8	14-9/16	4-5/8	7-1/16	16-13/16	3-1/8	3/16	2-3/16	4-5/32	1-21/64	1/2-14NPSF
7-13/16	6-7/8	236	3	15-1/8	4-7/8	7-1/2	17-3/16	3-5/32	3/16	2-27/64	4-7/32	1-5/8	1/2-14NPSF
8-3/8	7-1/4	238	3-1/8	15-13/16	5-1/16	7-7/8	18	3-19/64	3/16	2-17/32	4-3/4	1-39/64	1/2-14NPSF
8-3/4	7-5/8	240	3-3/8	16-5/8	5-7/16	8-1/4	19	3-1/2	3/16	2-15/32	4-29/32	1-17/32	1/2-14NPSF
9-9/16	8-5/16	244	3-3/4	18-7/8	5-13/16	9-1/2	21-1/4	3-27/64	3/16	3-1/4	5-7/16	2-1/32	1/2-14NPSF

▲ Housing width with drain plugs

★ Distance shaft should extend beyond housing centerline if pillow block is closed end style

● Non-expansion bearing offset from centerline. For expansion bearing S = 0.

FEATURES/BENEFITS PAGE B11-3	HOW TO ORDER PAGE B11-9	NOMENCLATURE PAGE B11-10	SELECTION/DIMENSIONS PAGE B11-30
---------------------------------	----------------------------	-----------------------------	-------------------------------------

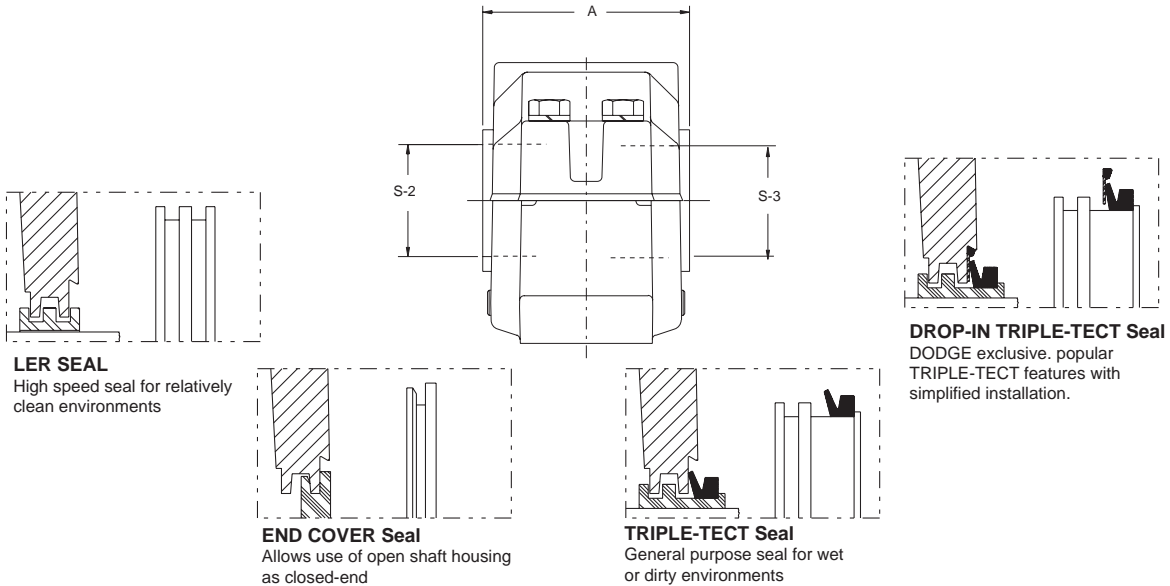


# SELECTION/DIMENSIONS



## USAF 200 Pillow Block Seals

LENGTH THRU BORE W/SEALS



S-2 Shaft Size (Inch)	S-3 Shaft Size (Inch)	Housing	Seal Group		Part Number							A		
					TRIPLE-TECT (TT)		TRIPLE-TECT Drop-in (TTDN)		#Metal Labyrinth (LER)		End Cover Part No.	TT (Inch)	TTDN (Inch)	LER (Inch)
			S-2	S-3	S-2	S-3	S-2	S-3	S-2	S-3	S-2			
3-7/16	2-13/16	215	33	24	046401	046400	039568	039289	*045928	*045927	040705	5-3/32	5-3/32	4-15/32
3-5/8	3	216	38	28	046402	043547	039291	039857	045931	042519	040706	5-21/64	5-21/64	4-23/32
3-15/16	3-3/16	217	42	32	046404	046403	039515	039292	042089	042088	-	5-7/16	5-7/16	4-53/64
4-1/8	3-3/8	218	44	36	046406	046405	-	-	*045936	*045934	-	6-17/64	6-17/64	5-45/64
4-1/2	3-13/16	220	54	50	043555	046407	-	-	042527	045939	040709	6-27/32	6-27/32	6-5/16
4-7/8	4-3/16	222	56	52	046408	043553	039297	039863	042098	042525	040710	7-3/16	7-3/16	6-19/32
5-5/16	4-9/16	224	58	54	046411	046409	-	-	042248	045943	040711	7-29/32	7-29/32	7-5/16
5-7/8	4-15/16	226	62	56	046410	043556	-	-	042085	042528	040712	8-9/64	8-9/64	7-1/2
6-1/4	5-5/16	228	66	58	046412	046411	-	-	042249	042248	040713	8-17/32	8-17/32	7-7/8
6-5/8	5-3/4	230	70	62	046414	046413	-	-	045951	045949	-	9-13/32	9-13/32	8-45/64
7	6-1/16	232	72	64	043565	046415	-	-	042538	045953	040681	9-29/32	9-29/32	9-13/64
7-7/16	6-7/16	234	76	68	046416	043562	-	-	042049	042535	040682	9-53/64	9-53/64	9-1/8
7-13/16	6-7/8	236	78	72	046417	046418	-	-	042221	042220	040683	10-13/32	10-13/32	9-11/16
8-3/8	7-1/4	238	80	74	046420	046419	-	-	*042031	*042032	-	11	11	9-63/64
8-3/4	7-5/8	240	82	76	046423	046422	-	-	*045956	*045955	040684	11-25/32	11-25/32	10-23/32
9-9/16	8-5/16	244	84	80	046425	046424	-	-	*042029	*042028	-	12-19/64	12-19/64	11-13/32

# NOTE: LER seals are made from Aluminum unless otherwise noted by the \* symbol.

If an \* appears by the part number, the LER seal is manufactured from Steel.

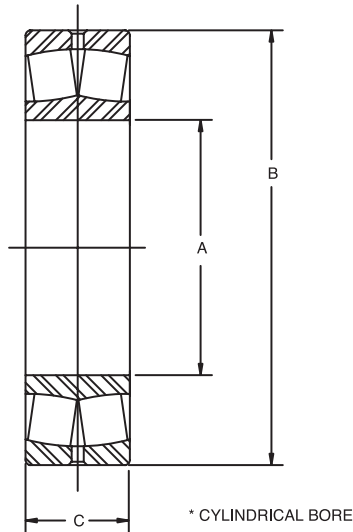
FEATURES/BENEFITS PAGE B11-3	HOW TO ORDER PAGE B11-9	NOMENCLATURE PAGE B11-10	SELECTION/DIMENSIONS PAGE B11-30
---------------------------------	----------------------------	-----------------------------	-------------------------------------



# SELECTION/DIMENSIONS



## USAF 22200 Spherical Roller Bearings



Bearing Bore mm	Housing	Bearing No.	Part No.	Approx. Wt. (lbs)	A Inch (mm)	B Inch (mm)	C Inch (mm)
75	215	22215	<b>421265</b>	3.6	2.9528 (75)	5.1181 (130)	1.2205 (31)
80	216	22216	<b>421266</b>	4.4	3.1496 (80)	5.5118 (140)	1.2992 (33)
85	217	22217	<b>421267</b>	5.5	3.3465 (85)	5.9055 (150)	1.4173 (36)
90	218	22218	<b>421268</b>	7.1	3.5433 (90)	6.2992 (160)	1.5748 (40)
100	220	22220	<b>421269</b>	10.4	3.9370 (100)	7.0866 (180)	1.8110 (46)
110	222	22222	<b>421270</b>	14.8	4.3307 (110)	7.8740 (200)	2.0866 (53)
120	224	22224	<b>421271</b>	18.7	4.7244 (120)	8.4646 (215)	2.2835 (58)
130	226	22226	<b>421272</b>	23.1	5.1181 (130)	9.0551 (230)	2.5197 (64)
140	228	22228	<b>421273</b>	29.8	5.5118 (140)	9.8425 (250)	2.6772 (68)
150	230	22230	<b>421274</b>	35.5	5.9055 (150)	10.6299 (270)	2.8740 (73)
160	232	22232	<b>421275</b>	47.8	6.2992 (160)	11.4173 (290)	3.1496 (80)
170	234	22234	<b>421276</b>	58.0	6.6929 (170)	12.2047 (310)	3.3858 (86)
180	236	22236	<b>421277</b>	60.8	7.0866 (180)	12.5984 (320)	3.3858 (86)
190	238	22238	<b>421278</b>	82.2	7.4803 (190)	13.3858 (340)	3.6220 (92)
200	240	22240	<b>421279</b>	97.9	7.8740 (200)	14.1732 (360)	3.8583 (98)
220	244	22244	<b>421280</b>	135.0	8.6614 (220)	15.7480 (400)	4.2520 (108)

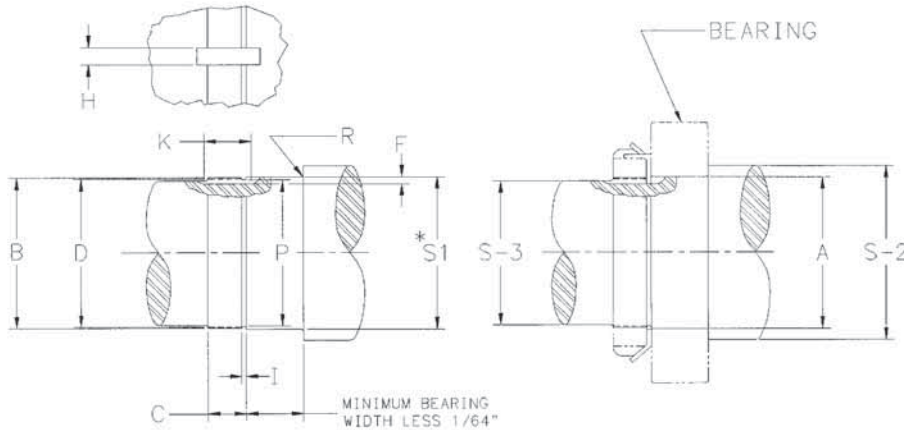
FEATURES/BENEFITS PAGE B11-3	HOW TO ORDER PAGE B11-9	NOMENCLATURE PAGE B11-10	SELECTION/DIMENSIONS PAGE B11-30
---------------------------------	----------------------------	-----------------------------	-------------------------------------



# SELECTION/DIMENSIONS



## USAF 200 Series Bearing Shaft Details



Nominal Bearing Bore Dia. (mm)	Shaft Bearing Seat Diameters (Inch)					
	Normal Load			High Load		
	* S-I		Mean Fit	* S-I		Mean Fit
	Max	Min		Max	Min	
75	2.9540	2.9532	.0011T	2.9543	2.9536	.0014T
80	3.1508	3.1501	.0012T	3.1511	3.1504	.0015T
85	3.3479	3.3470	.0014T	3.3484	3.3475	.0019T
90	3.5447	3.5438		3.5452	3.5443	
95	3.7416	3.7407		3.7421	3.7412	
100	3.9384	3.9375		3.9389	3.9380	
105	4.1353	4.1344		4.1358	4.1349	
110	4.3321	4.3312		4.3326	4.3317	
120	4.7258	4.7249	.0016T	4.7263	4.7254	.0022T
125	4.9229	4.9219		4.9235	4.9225	
130	5.1197	5.1187		5.1203	5.1193	
140	5.5134	5.5124		5.5140	5.5130	
150	5.9071	5.9061		5.9077	5.9067	
160	6.3008	6.2998		6.3014	6.3004	
170	6.6945	6.6935	.0019T	6.6951	6.6941	.0026T
180	7.0882	7.0872		7.0888	7.0878	
190	7.4821	7.4809		7.4829	7.4817	
200	7.8758	7.8746		7.8772	7.8760	
220	8.6632	8.6620		8.6646	8.6634	.0032T

Normal Load  
P/C = 0.10 TO 0.18

High Load  
P/C > 0.18

Where P= Equivalent dynamic load on the bearing (lbs.)  
C= Basic dynamic load rating of bearing (lbs.)

FEATURES/BENEFITS PAGE B11-3	HOW TO ORDER PAGE B11-9	NOMENCLATURE PAGE B11-10	SELECTION/DIMENSIONS PAGE B11-30
---------------------------------	----------------------------	-----------------------------	-------------------------------------

# SELECTION/DIMENSIONS



## USAF 200 Series Bearing Shaft Details

USAF 22200 BEARING SHAFT DIMENSIONS - INCH								
Housing	Locknut & Washer Kit Part No.	A Brg Bore	S-2	S-3	Keyway			R Max Radius
					F Depth +1/64 -Ø	H Width +1/64 -Ø	K Full Depth Length	
215	046756	2.9528 (75mm)	3-7/16	2-13/16	1/8	5/16	15/16	0.059
216	046757	3.1496 (80 mm)	3-5/8	3	1/8	3/8	15/16	0.079
217	046758	3.3465 (85 mm)	3-15/16	3-3/16	1/8	3/8	31/32	0.079
218	046759	3.5433 (90 mm)	4-1/8	3-3/8	5/32	3/8	1-1/16	0.079
220	046760	3.9370 (100 mm)	4-1/2	3-13/16	5/32	3/8	1-3/16	0.079
222	046761	4.3307 (110 mm)	4-7/8	4-3/16	3/16	3/8	1-7/32	0.079
224	046762	4.7244 (120 mm)	5-5/16	4-9/16	3/16	3/8	1-1/4	0.079
226	046763	5.1181 (130 mm)	5-7/8	4-15/16	3/16	1/2	1-5/16	0.098
228	046764	5.5118 (140 mm)	6-1/4	5-5/16	3/16	5/8	1-3/8	0.098
230	046765	5.9055 (150 mm)	6-5/8	5-3/4	7/32	5/8	1-1/2	0.098
232	046766	6.2992 (160 mm)	7	6-1/16	15/64	5/8	1-9/16	0.098
234	046767	6.6929 (170 mm)	7-7/16	6-7/16	15/64	3/4	1-19/32	0.118
236	046768	7.0866 (180 mm)	7-13/16	6-7/8	15/64	3/4	1-5/8	0.118
238	046769	7.4803 (190 mm)	8-3/8	7-1/4	15/64	3/4	1-21/32	0.118
240	046770	7.8740 (200 mm)	8-3/4	7-5/8	15/64	7/8	1-23/32	0.118
244	046771	8.6614 (220 mm)	9-9/16	8-5/16	3/8	1-1/16	1-9/16	0.118

USAF 22200 BEARING SHAFT DIMENSIONS - INCH								
Housing	Threads Per Inch	B Thread Major Dia		D Thread Pitch Dia		C Thread Length +1/64 -0	I Thread Relief +1/64 -0	P † Thread Relief DIA.
		Max	Min	Max	Min			
215	12	2.9330	2.9218	2.8789	2.8735	11/16	5/32	2.7995
216	12	3.1370	3.1258	3.0829	3.0770	11/16	5/32	3.0035
217	12	3.3400	3.3288	3.2859	3.2800	23/32	5/32	3.2065
218	12	3.5270	3.5158	3.4729	3.4655	13/16	5/32	3.3935
220	12	3.9180	3.9068	3.8639	3.8565	7/8	5/32	3.7845
222	12	4.325	4.3138	4.2709	4.2626	29/32	5/32	4.1915
224	12	4.716	4.7048	4.6619	4.6536	15/16	5/32	4.5825
226	12	5.106	5.0948	5.0519	5.0436	1	5/32	4.9725
228	12	5.497	5.4858	5.4429	5.4346	1-1/16	5/32	5.3635
230	12	5.888	5.8768	5.8339	5.8256	1-1/8	5/32	5.7545
232	8	6.284	6.2688	6.2028	6.1937	1-3/16	1/4	6.0993
234	8	6.659	6.6438	6.5778	6.5687	1-7/32	1/4	6.4743
236	8	7.066	7.0508	6.9848	6.9757	1-1/4	1/4	6.8813
238	8	7.472	7.4568	7.3908	7.3817	1-9/32	1/4	7.2873
240	8	7.847	7.8318	7.7658	7.7544	1-11/32	1/4	7.6623
244	8	8.628	8.6128	8.5468	8.5347	1-3/8	1/4	8.4433

† Tolerance ±.005 through 2.6672 dia.; ±.010 for larger sizes

FEATURES/BENEFITS PAGE B11-3	HOW TO ORDER PAGE B11-9	NOMENCLATURE PAGE B11-10	SELECTION/DIMENSIONS PAGE B11-30
---------------------------------	----------------------------	-----------------------------	-------------------------------------



# SELECTION/DIMENSIONS



## USAF 200 Series Locknuts & Washers

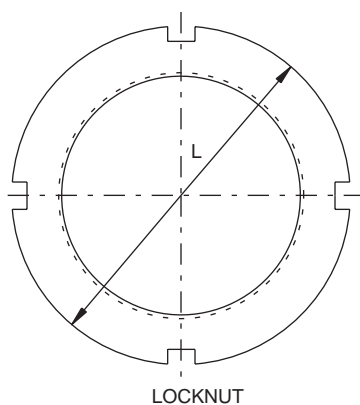
IMPERIAL - ISAF

UNIFIED SAF

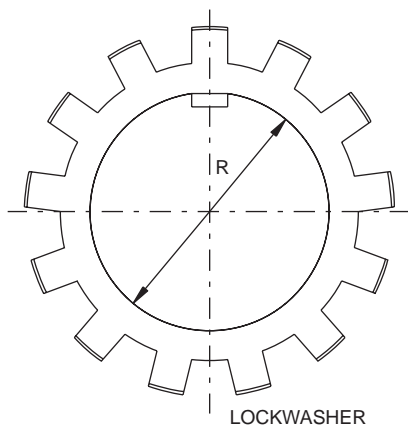
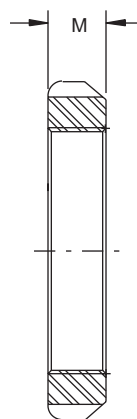
International Bearings

Sleeve Bearing

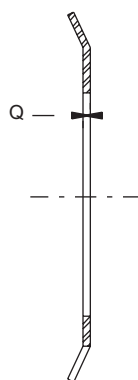
SLEEVOIL



LOCKNUT



LOCKWASHER



FEATURES/BENEFITS  
PAGE B11-3

HOW TO ORDER  
PAGE B11-9

NOMENCLATURE  
PAGE B11-10

SELECTION/DIMENSIONS  
PAGE B11-30

# SELECTION/DIMENSIONS



## USAF 200 Series Locknuts & Washers

IMPERIAL - ISAF

UNIFIED SAF

International Bearings

Sleeve Bearing

SLEEVOIL

Housing	Locknut		Lockwasher		L	M	R	Q
	Descrip.	Part No.	Descrip.	Part No.	Inch	Inch	Inch	Inch
215	AN15	<b>460901</b>	W15	<b>419150</b>	3.88	0.59	2.988	0.072
216	AN16	<b>460902</b>	W16	<b>419152</b>	4.16	0.59	3.192	0.072
217	AN17	<b>460903</b>	W17	<b>419154</b>	4.41	0.62	3.410	0.072
218	AN18	<b>460904</b>	W18	<b>419156</b>	4.66	0.69	3.597	0.094
220	AN20	<b>460905</b>	W20	<b>419158</b>	5.19	0.75	4.003	0.094
222	AN22	<b>460906</b>	W22	<b>419160</b>	5.72	0.78	4.410	0.125
224	AN24	<b>041071</b>	W24	<b>419162</b>	6.12	0.81	4.816	0.125
226	AN26	<b>041064</b>	W26	<b>419164</b>	6.75	0.88	5.209	0.125
228	AN28	<b>041065</b>	W28	<b>419166</b>	7.09	0.94	5.600	0.125
230	AN30	<b>041072</b>	W30	<b>419168</b>	7.69	0.97	6.001	0.156
232	AN32	<b>041066</b>	W32	<b>419170</b>	8.06	1.03	6.407	0.156
234	AN34	<b>041067</b>	W34	<b>419172</b>	8.66	1.06	6.782	0.156
236	AN36	<b>041070</b>	W36	<b>419174</b>	9.06	1.09	7.189	0.156
238	AN38	<b>041068</b>	W38	<b>419176</b>	9.47	1.12	7.595	0.156
240	AN40	<b>040838</b>	W40	<b>419171</b>	9.84	1.19	8.000	0.156
244	N44	<b>041069</b>	W44	<b>419178</b>	11.00	1.25	8.719	0.156

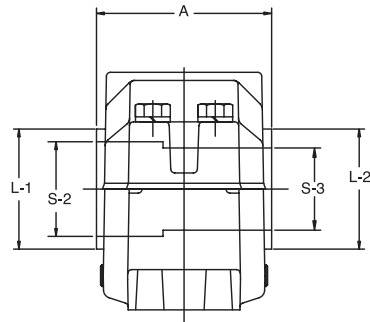
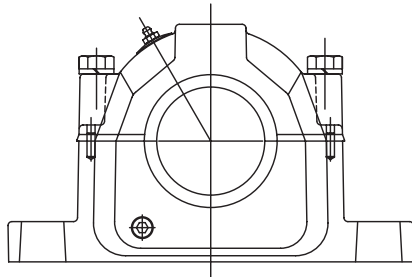
FEATURES/BENEFITS PAGE B11-3	HOW TO ORDER PAGE B11-9	NOMENCLATURE PAGE B11-10	SELECTION/DIMENSIONS PAGE B11-30
---------------------------------	----------------------------	-----------------------------	-------------------------------------



# SELECTION/DIMENSIONS



## USAF 300 Direct Mount Pillow Block With TRIPLE-TECT Seal Assembly



Shaft Dia.		Bearing Bore mm.	Complete Pillow Block Part No.	Housing Part No. **	Bearing Part No.	Dynamic Capacity (C), lbs. †	Max Rpm (Grease)	Shaft Locknut Part No.
S-2	S-3							
1-15/16	1-7/16	40	P2B308-USAF-115TT 039355	H2S-308-USAF 039717	BRG22308C3 423124	29,000	4,300	N08 407305
2-1/8	1-11/16	45	P2B309-USAF-202TT 039356	H2S-309-USAF 039719	BRG22309C3 423125	35,500	3,800	N09 419187
2-3/8	1-7/8	50	P2B310-USAF-206TT 035915	H2S-310-USAF 035437	BRG22310C3 423143	42,500	3,400	N10 419188
2-9/16	2-1/16	55	P2B311-USAF-209TT 039357	H2S-311-USAF 039721	BRG22311C3 423126	50,000	3,200	N11 419184
			P4B311-USAF-209TT 039371	H4S-311-USAF 039723	BRG22311C3 423126	50,000	3,200	N11 419184
2-7/8	2-1/4	60	P2B312-USAF-214TT 039358	H2S-312-USAF 039725	BRG22312C3 423127	58,200	2,800	N12 407302
			P4B312-USAF-214TT 039372	H4S-312-USAF 039727	BRG22312C3 423127	58,200	2,800	N12 407302
3-1/6	2-7/16	65	P2B313-USAF-301TT 039359	H2S-313-USAF 039729	BRG22313C3 423128	65,500	2,600	N13 419185
			P4B313-USAF-301TT 039373	H4S-313-USAF 039731	BRG22313C3 423128	65,500	2,600	N13 419185
3-1/4	2-5/8	70	P2B314-USAF-304TT 039360	H2S-314-USAF 039733	BRG22314C3 423129	72,000	2,400	N14 407036
			P4B314-USAF-304TT 039374	H4S-314-USAF 039735	BRG22314C3 423129	72,000	2,400	N14 407036
3-7/16	2-13/16	75	P2B315-USAF-307TT 039361	H2S-315-USAF 039737	BRG22315C3 423130	83,000	2,200	AN15 460901
			P4B315-USAF-307TT 039375	H4S-315-USAF 039739	BRG22315C3 423130	83,000	2,200	AN15 460901
3-5/8	3	80	P2B316-USAF-310TT 035916	H2S-316-USAF 035438	BRG22316C3 423144	93,000	2,200	AN16 460902
			P4B316-USAF-310TT 035917	H4S-316-USAF 035439	BRG22316C3 423144	93,000	2,200	AN16 460902
3-15/16	3-3/16	85	P2B317-USAF-315TT 039362	H2S-317-USAF 039741	BRG22317C3 423131	102,000	2,000	AN17 460903
			P4B317-USAF-315TT 039376	H4S-317-USAF 039743	BRG22317C3 423131	102,000	2,000	AN17 460903

FEATURES/BENEFITS PAGE B11-3	HOW TO ORDER PAGE B11-9	NOMENCLATURE PAGE B11-10	SELECTION/DIMENSIONS PAGE B11-30
---------------------------------	----------------------------	-----------------------------	-------------------------------------

# SELECTION/DIMENSIONS



## USAF 300 Direct Mount Pillow Block With TRIPLE-TECT Seal Assembly

Shaft Dia.		Bearing Bore mm.	Lockwasher Part No.	TRIPLE-TECT Part No.		TTDN Part No.		# LER Part No.		End Cover Part No.
S-2	S-3			S-2	S-3	S2	S3	S-2	S-3	
1-15/16	1-7/16	40	W08	12TT115	08TT107	---	---	12LER115	08LER107	EC-08
			419151	043540	043578			042512	042193	040700
2-1/8	1-11/16	45	W09	14TT202	10TT111	---	---	14LER202	10LER111	EC-10
			419180	046464	043579			*046472	*042199	040701
2-3/8	1-7/8	50	W10	18TT206	12TT114	---	---	18LER206	12LER114	EC-12
			419181	046166	046167			046175	046176	040702
2-9/16	2-1/16	55	W11	22TT209	14TT201	22TTDN209	14TTDN201	22LER209	14LER201	EC-14
			419182	046466	046463	035748	035745	*046474	*046471	040703
2-7/8	2-1/4	60	W12	26TT214	14TT204	26TTDN214	14TTDN204	26LER214	14LER204	EC-14
			419008	046468	046465	035750	035747	046476	046473	040703
3-1/6	2-7/16	65	W13	28TT301	22TT207	28TTDN301	22TTDN207	28LER301	22LER207	---
			419183	046469	046168	035751	035744	*046477	*046177	---
3-1/4	2-5/8	70	W14	32TT304	22TT210	32TTDN304	22TTDN210	32LER304	22LER210	---
			419153	046470	046467	035752	035749	046478	046475	---
3-7/16	2-13/16	75	W15	33TT307	24TT213	33TTDN307	24TTDN213	33LER307	24LER213	EC24
			419150	046401	046400	039568	039289	*045928	*045927	040705
3-5/8	3	80	W16	38TT310	28TT300	38TTDN310	28TTDN300	38LER310	28LER300	EC28
			419152	046402	042547	039291	039857	045931	042519	040706
3-15/16	3-3/16	85	W17	42TT315	32TT303	42TTDN315	32TTDN303	42LER315	32LER303	---
			419154	046404	046403	039515	039292	042089	042088	---
			W17	42TT315	32TT303	42TTDN315	32TTDN303	42LER315	32LER303	---
			419154	046404	046403	039515	039292	042089	042088	---

# NOTE: LER seals are made from Aluminum unless otherwise noted by the \* symbol.  
If an \* appears by the part number, the LER seal is manufactured from Steel.

FEATURES/BENEFITS PAGE B11-3	HOW TO ORDER PAGE B11-9	NOMENCLATURE PAGE B11-10	SELECTION/DIMENSIONS PAGE B11-30
---------------------------------	----------------------------	-----------------------------	-------------------------------------



# SELECTION/DIMENSIONS



## USAF 300 Direct Mount Pillow Block With TRIPLE-TECT Seal Assembly

Shaft Dia.		Bearing Bore mm.	Complete Pillow Block Part No.	Housing Part No. **	Bearing Part No.	Dynamic Capacity (C), lbs.	Max Rpm (Grease)	Locknut Part No.
S-2	S-3							
4-1/2	3-13/16	100	P4B320-USAF-408TT 039377	H4S-320-USAF 039745	BRG22320C3 423132	146,000	1,700	AN204 060905
4-7/8	4-3/16	110	P4B322-USAF-414TT 039378	H4S-322-USAF 039747	BRG22322C3 423133	180,000	1,500	AN224 060906
5-5/16	4-9/16	120	P4B324-USAF-505TT 039380	H4S-324-USAF 039749	BRG22324C3 423134	204,000	1,400	AN24 041071
5-7/8	4-15/16	130	P4B326-USAF-514TT 039381	H4S-326-USAF 039750	BRG22326C3 423135	236,000	1,300	AN26 041064
6-1/4	5-5/16	140	P4B328-USAF-604TT 039382	H4S-328-USAF 039751	BRG22328C3 423136	275,000	1,200	AN28 041065
6-5/8	5-3/4	150	P4B330-USAF-610TT 039383	H4S-330-USAF 039752	BRG22330C3 423137	310,000	1,100	AN30 041072
7	6-1/16	160	P4B332-USAF-700TT 039384	H4S-332-USAF 039753	BRG22332C3 423138	325,000	1,000	AN32 041066
7-7/16	6-7/16	170	P4B334-USAF-707TT 039385	H4S-334-USAF 039754	BRG22334C3 423139	360,000	950	AN34 041067
8-3/8	7-1/4	190	P4B338-USAF-806TT 039386	H4S-338-USAF 039755	BRG22338C3 423140	415,000	850	AN38 041068

IMPERIAL - USAF

UNIFIED SAF

International Bearings

Sleeve Bearing

SLEEVOIL

FEATURES/BENEFITS PAGE B11-3	HOW TO ORDER PAGE B11-9	NOMENCLATURE PAGE B11-10	SELECTION/DIMENSIONS PAGE B11-30
---------------------------------	----------------------------	-----------------------------	-------------------------------------



# SELECTION/DIMENSIONS



## USAF 300 Direct Mount Pillow Block With TRIPLE-TECT Seal Assembly

Shaft Dia.		Bearing Bore mm.	Lock-washer Part No.	TRIPLE-TECT Part No.		TTDN Part No.		# LER Part No.		End Cover Part No.
S2	S3			S-2	S-3	S-2	S-3	S2	S3	
4-1/2	3-13/16	100	W20 419158	54TT408 043555	50TT313 046407	---	---	54LER408 042527	50LER313 045939	EC50 040709
4-7/8	4-3/16	110	W22 419160	56TT414 046408	52TT403 043553	56TTDN414 039297	52TTDN403 039863	56LER414 042098	52LER403 042525	EC52 040710
5-5/16	4-9/16	120	W24 419162	58TT510 046411	54TT409 046409	---	---	58LER510 042248	54LER409 042943	EC54 040711
5-7/8	4-15/16	130	W26 419164	62TT514 046410	56TT415 043556	---	---	62LER514 042085	56LER415 042528	EC56 040712
6-1/4	5-5/16	140	W28 419166	66TT604 046412	58TT505 046411	---	---	66LER604 042249	58LER505 042248	EC58 040713
6-5/8	5-3/4	150	W30 419168	70TT610 046414	62TT512 046413	---	---	70LER610 045951	62LER512 045949	---
7	6-1/16	160	W32 419170	72TT700 043565	64TT601 046415	---	---	72LER700 042538	64LER601 042953	EC64 040681
7-7/16	6-7/16	170	W34 419172	76TT707 046416	68TT607 043562	---	---	76LER707 042049	68LER607 042535	EC68 040682
8-3/8	7-1/4	190	W38 419176	80TT806 046420	74TT704 046419	---	---	80LER806 *042031	74LER704 *042032	---

# NOTE: LER seals are made from Aluminum unless otherwise noted by the \* symbol.  
If an \* appears by the part number, the LER seal is manufactured from Steel.

IMPERIAL - ISAF

UNIFIED SAF

International Bearings

Sleeve Bearing

SLEEVOIL

FEATURES/BENEFITS PAGE B11-3	HOW TO ORDER PAGE B11-9	NOMENCLATURE PAGE B11-10	SELECTION/DIMENSIONS PAGE B11-30
---------------------------------	----------------------------	-----------------------------	-------------------------------------

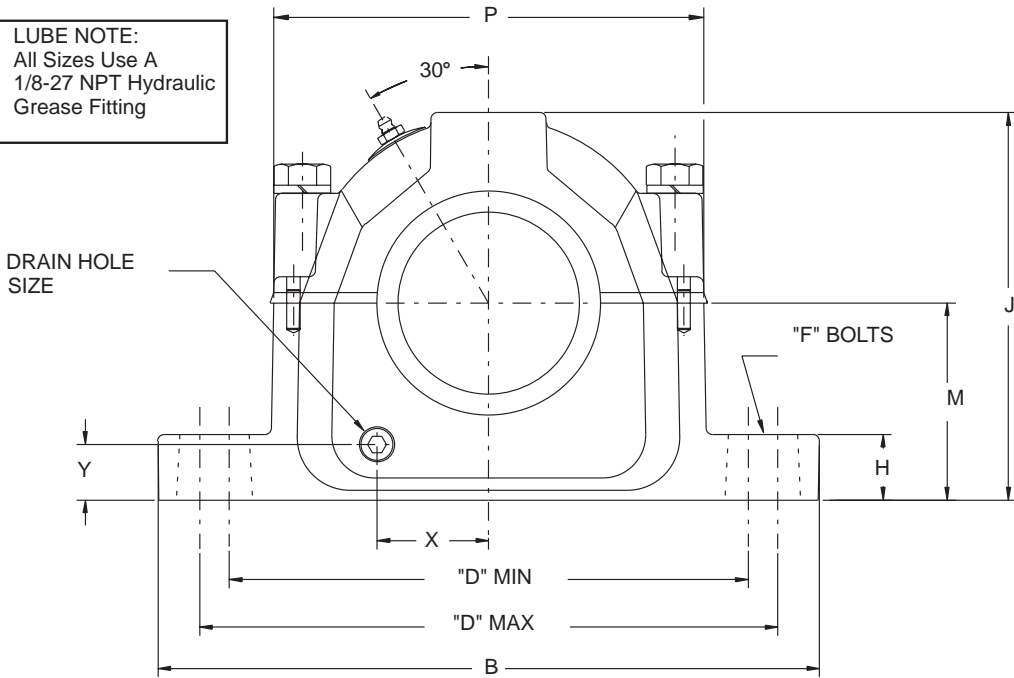


# SELECTION/DIMENSIONS



## USAF 300 Housing Dimensions - Inch

LUBE NOTE:  
All Sizes Use A  
1/8-27 NPT Hydraulic  
Grease Fitting



DRAIN HOLE  
SIZE

Y

X

"D" MIN

"D" MAX

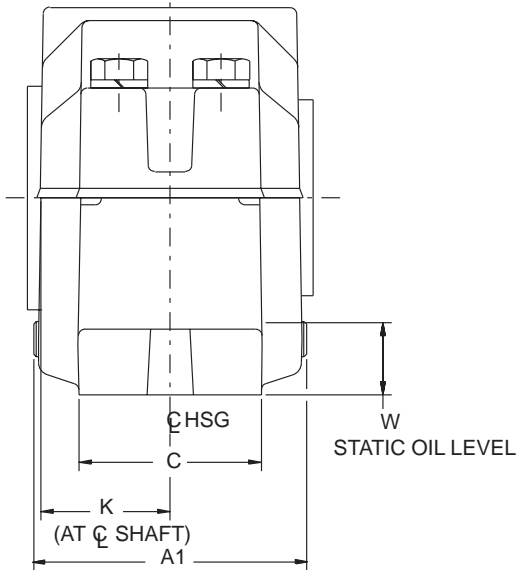
B

H

M

J

"F" BOLTS



CHSG

W

C

STATIC OIL LEVEL

K

(AT  $\phi$  SHAFT)

A1

IMPERIAL - ISAF

UNIFIED SAF

International Bearings

Sleeve Bearing

SLEEVOIL

FEATURES/BENEFITS  
PAGE B11-3

HOW TO ORDER  
PAGE B11-9

NOMENCLATURE  
PAGE B11-10

SELECTION/DIMENSIONS  
PAGE B11-30

# SELECTION/DIMENSIONS



## USAF 300 Housing Dimensions - Inch

S-2 Shaft Size	S-3 Shaft Size	Housing	A1 ▲	B	C	D				E	F	
						2-Bolt		4-Bolt			Bolt Dia.	
						Min	Max	Min	Max		2-Bolt	4-Bolt
1-15/16	1-7/16	308	4-1/16	8-1/4	2-11/32	6-1/2	7	-	-	-	1/2	-
2-1/8	1-11/16	309	4-1/4	9-5/8	2-3/4	7-3/8	8-1/4	-	-	-	5/8	-
2-3/8	1-7/8	310	4-45/64	10-5/8	2-3/4	7-3/4	9	-	-	-	5/8	-
2-9/16	2-1/16	311	4-41/64	11	3-1/8	8-1/8	9-1/2	8-1/8	9-1/2	1-7/8	5/8	1/2
2-7/8	2-1/4	312	5-13/64	11-1/8	3-1/8	8-5/8	9-5/8	8-5/8	9-5/8	1-7/8	5/8	1/2
3-1/16	2-7/16	313	5-7/16	12-19/32	3-1/2	9-5/8	11	9-5/8	11	2-1/8	3/4	5/8
3-1/4	2-5/8	314	5-25/64	12-19/32	3-1/2	9-7/8	11	9-7/8	11	2-1/8	3/4	5/8
3-7/16	2-13/16	315	6-5/32	13-5/8	3-7/8	10-1/4	11-3/4	10-3/8	11-5/8	2-1/8	3/4	5/8
3-5/8	3	316	6-3/8	14-11/64	3-7/8	10-7/8	12-3/8	10-5/8	12-1/2	2-1/8	3/4	5/8
3-15/16	3-3/16	317	6-25/32	15-23/64	4-11/32	11-5/8	13-1/8	11-5/8	13-1/8	2-3/8	7/8	3/4
4-1/2	3-13/16	320	8-3/64	16-1/2	4-23/32	-	-	13-1/4	14-1/2	2-3/4	-	3/4
4-7/8	4-3/16	322	8-17/64	18-3/8	5-1/8	-	-	14-1/2	16	3-1/4	-	7/8
5-5/16	4-9/16	324	9-23/64	20-7/8	6-1/4	-	-	16-3/4	18-1/4	3-3/4	-	1
5-7/8	4-15/16	326	9-59/64	21-21/32	6-1/4	-	-	17-3/8	19-1/4	3-3/4	-	1
6-1/4	5-5/16	328	9-29/32	24-3/4	6-3/4	-	-	19-3/8	21-5/8	4-1/4	-	1
6-5/8	5-3/4	330	10-13/32	26-3/4	7-1/8	-	-	20-7/8	23-5/8	4-5/8	-	1
7	6-1/16	332	10-13/16	28	7-1/2	-	-	21-5/8	24-3/8	4-1/2	-	1-1/4
7-7/16	6-7/16	334	11-17/32	28-3/4	8	-	-	22-1/2	25	5	-	1-1/4
8-3/8	7-1/4	338	12-19/64	32-3/4	8-7/8	-	-	24-3/4	27-7/8	5-1/4	-	1-1/2

S-2 Shaft Size	S-3 Shaft Size	Housing	H	J	K	M	P	Q ★	S ●	W Static Oil Level	X	Y	Drain Hole Size
1-15/16	1-7/16	308	1-1/32	4-37/64	1-7/8	2-1/2	5-1/8	1-11/64	1/8	1-3/16	1-1/4	13/16	1/8-27NPSI
2-1/8	1-11/16	309	1-1/32	5-1/4	1-31/32	2-3/4	5-25/32	1-15/64	1/8	1-9/32	1-15/16	53/64	1/8-27NPSI
2-3/8	1-7/8	310	1-13/32	5-23/32	2-13/64	3	6-1/8	1-3/8	7/32	1-3/8	1-17/32	63/64	1/8-27NPSI
2-9/16	2-1/16	311	1-1/32	5-15/16	2-5/32	3	6-1/2	1-27/64	1/8	1-7/16	1-21/32	25/32	1/8-27NPSI
2-7/8	2-1/4	312	1-1/4	6-7/16	2-5/16	3-1/4	7-1/16	1-33/64	1/8	1-5/16	1-25/32	7/8	1/4-18NPSF
3-1/16	2-7/16	313	1-1/16	6-3/4	2-27/64	3-1/2	7-15/16	1-37/64	3/16	1-13/32	1-31/32	61/64	1/4-18NPSF
3-1/4	2-5/8	314	1-1/4	7-3/8	2-15/32	3-3/4	8-3/16	1-41/64	3/16	1-15/32	2-1/8	1-1/16	3/8-18NPSF
3-7/16	2-13/16	315	1-7/16	7-3/4	2-27/32	4	8-21/32	1-49/64	3/16	1-19/32	2-1/4	1-1/8	3/8-18NPSF
3-5/8	3	316	1-7/32	8-1/4	2-61/64	4-1/4	9-1/32	1-53/64	3/16	1-11/16	2-3/8	1-11/64	3/8-18NPSF
3-15/16	3-3/16	317	1-21/32	8-3/4	3-5/32	4-1/2	9-25/32	1-29/32	3/16	1-3/4	2-5/8	1-1/4	3/8-18NPSF
4-1/2	3-13/16	320	1-1/2	10-1/4	3-41/64	5-1/4	11-1/4	2-19/64	3/16	2-1/32	3-3/16	1-3/8	1/2-14NPSF
4-7/8	4-3/16	322	2-1/16	11-17/32	3-3/4	6	12-13/32	2-1/2	3/16	2-13/32	3-5/16	1-5/8	1/2-14NPSF
5-5/16	4-9/16	324	2-3/8	12-1/2	4-21/64	6-5/16	14-5/16	2-41/64	3/16	2-3/8	3-19/32	1-21/64	1/2-14NPSF
5-7/8	4-15/16	326	2-11/32	13-5/16	4-5/8	6-11/16	14-29/32	2-27/32	3/16	2-7/16	4-1/32	1-21/64	1/2-14NPSF
6-1/4	5-5/16	328	2-7/8	14-9/16	4-5/8	7-1/16	16-13/16	3-3/32	3/16	2-9/16	4-5/32	1-21/64	1/2-14NPSF
6-5/8	5-3/4	330	3	15-1/8	4-7/8	7-1/2	17-3/16	3-17/64	3/16	2-5/8	4-7/32	1-5/8	1/2-14NPSF
7	6-1/16	332	3-1/8	15-13/16	5-1/16	7-7/8	18	3-7/16	3/16	2-11/16	4-3/4	1-39/64	1/2-14NPSF
7-7/16	6-7/16	334	3-3/8	16-5/8	5-7/16	8-1/4	19	3-19/32	3/16	2-3/4	4-29/32	1-17/32	1/2-14NPSF
8-3/8	7-1/4	338	3-3/4	18-7/8	5-13/16	9-1/2	21-1/4	3-57/64	3/16	3-3/8	5-7/16	2-1/32	1/2-14NPSF

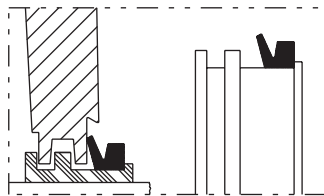
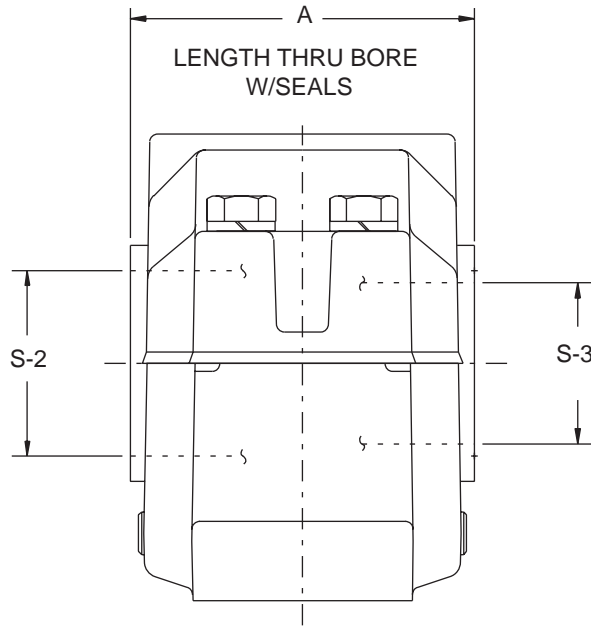
- ▲ Housing width with drain plugs. Length thru bore page B11-122.
- ★ Distance shaft should extend beyond housing centerline if pillow block is closed end style
- Non-expansion bearing offset from centerline. For expansion bearing S = 0.

FEATURES/BENEFITS PAGE B11-3	HOW TO ORDER PAGE B11-9	NOMENCLATURE PAGE B11-10	SELECTION/DIMENSIONS PAGE B11-30
---------------------------------	----------------------------	-----------------------------	-------------------------------------

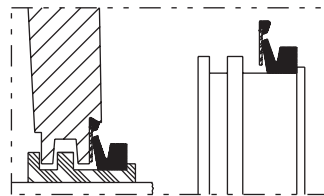
# SELECTION/DIMENSIONS



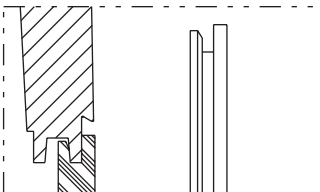
## USAF 300 Pillow Block Seals



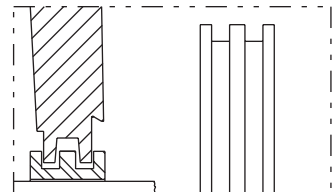
**TRIPLE-TECT Seal**  
General purpose seal for wet or dirty environments



**DROP-IN TRIPLE-TECT Seal**  
DODGE exclusive. Popular TRIPLE-TECT features simplify installation.



**END COVER Seal**  
Allows use of open shaft housing as closed-end



**LER Seal**  
High speed seal for relatively clean environments

FEATURES/BENEFITS PAGE B11-3	HOW TO ORDER PAGE B11-9	NOMENCLATURE PAGE B11-10	SELECTION/DIMENSIONS PAGE B11-30
---------------------------------	----------------------------	-----------------------------	-------------------------------------

# SELECTION/DIMENSIONS



## USAF 300 Pillow Block Seals

S-2 Shaft Size (Inch)	S-3 Shaft Size (Inch)	Housing	Seal Group		Part Number							A		
					TRIPLE-TECT (TT)		TRIPLE-TECT Drop-In (TTDN)		# Metal Labyrinth (LER)		End Cover	TT (Inch)	TTDN (Inch)	LER (Inch)
					S-2	S-3	S-2	S-3	S-2	S-3				
1-15/16	1-7/16	308	12	8	043540	043578	-	-	042512	042193	040700	4-3/16	-	3-41/64
2-1/8	1-11/16	309	14	10	046464	043579	-	-	*046472	*042199	040701	4-23/64	-	3-53/64
2-3/8	1-7/8	310	18	12	046166	046167	-	-	046175	046176	040702	4-13/16	-	4-9/32
2-9/16	2-1/16	311	22	14	046466	046463	035748	035745	*046474	*046471	040703	4-51/64	4-51/64	4-3/16
2-7/8	2-1/4	312	26	14	046468	046465	035750	035747	046476	046473	040703	5-1/64	5-1/64	4-27/64
3-1/16	2-7/16	313	28	22	046469	046168	035751	035744	*046477	*046177	-	5-11/32	5-11/32	4-11/16
3-1/4	2-5/8	314	32	22	046470	046467	035752	035749	046478	046475	-	5-7/16	5-7/16	4-51/64
3-7/16	2-13/16	315	38	24	046401	046400	039290	039289	*045928	*045927	040705	6-13/64	6-13/64	5-19/32
3-5/8	3	316	38	28	046402	043547	039291	039857	045931	042519	040706	6-27/64	6-27/64	5-13/16
3-15/16	3-3/16	317	42	32	046404	046403	039515	039292	042089	042088	-	6-25/64	6-25/32	6-11/64
4-1/2	3-13/16	320	54	50	043555	046407	-	-	042527	045939	040709	7-55/64	-	7-21/64
4-7/8	4-3/16	322	56	52	046408	043553	039297	039863	042098	042525	040710	8-3/32	8-3/32	7-1/2
5-5/16	4-9/16	324	58	54	046411	046409	-	-	042248	045943	040711	9-9/32	-	8-11/16
5-7/8	4-15/16	326	62	56	046410	043556	-	-	042085	042528	040712	9-27/32	-	9-13/64
6-1/4	5-5/16	328	66	58	046412	046411	-	-	042249	042248	040713	9-25/32	-	9-1/8
6-5/8	5-3/4	330	70	62	046414	046413	-	-	045951	045949	-	10-25/64	-	9-45/64
7	6-1/16	332	72	64	043565	046415	-	-	*042538	*045953	040681	10-11/16	-	9-63/64
7-7/16	6-7/16	334	76	68	046416	043562	-	-	042049	042535	040682	11-7/16	-	10-47/64
8-3/8	7-1/4	338	80	74	046420	046419	-	-	042031	042032	-	12-7/16	-	11-45/64

# NOTE: LER seals are made from Aluminum unless otherwise noted by the \* symbol.

If an \* appears by the part number, the LER seal is manufactured from Steel.

IMPERIAL - ISAF

UNIFIED SAF

International Bearings

Sleeve Bearing

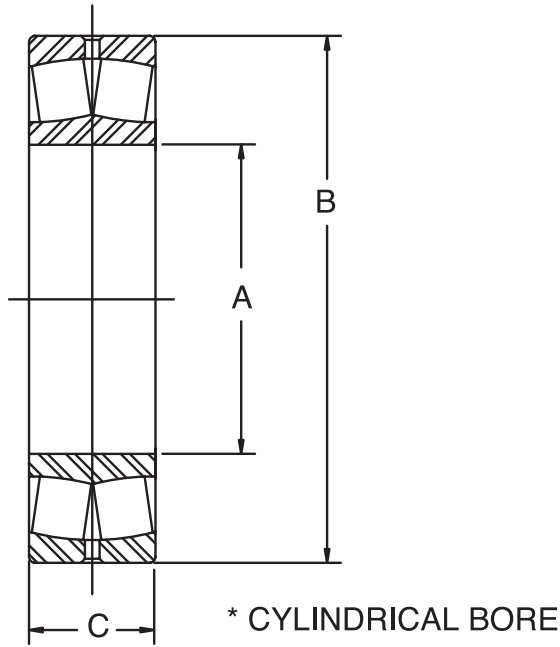
SLEEVOIL

FEATURES/BENEFITS PAGE B11-3	HOW TO ORDER PAGE B11-9	NOMENCLATURE PAGE B11-10	SELECTION/DIMENSIONS PAGE B11-30
---------------------------------	----------------------------	-----------------------------	-------------------------------------

# SELECTION/DIMENSIONS



## USAF 22300 Spherical Roller Bearings



FEATURES/BENEFITS PAGE B11-3	HOW TO ORDER PAGE B11-9	NOMENCLATURE PAGE B11-10	SELECTION/DIMENSIONS PAGE B11-30
---------------------------------	----------------------------	-----------------------------	-------------------------------------

# SELECTION/DIMENSIONS



## USAF 22300 Spherical Roller Bearings

IMPERIAL - ISAF

UNIFIED SAF

International Bearings

Sleeve Bearing

SLEEVOIL

Shaft Size Under Brg. mm	Housing	Bearing No	Part No	Approx. Wt (Lbs.)	A	B	C
					Inch	Inch	Inch
40	308	22308	<b>423124</b>	2.3	1.5748 (40)	3.5433 (90)	1.2992 (33)
45	309	22309	<b>423125</b>	3.0	1.7717 (45)	3.9370 (100)	1.4173 (36)
50	310	22310	<b>423143</b>	3.9	1.9685 (50)	4.3307 (110)	1.5758 (40)
55	311	22311	<b>423126</b>	5.1	2.1654 (55)	4.7244 (120)	1.6929 (43)
60	312	22312	<b>423127</b>	6.5	2.3622 (60)	5.1181 (130)	1.8110 (46)
65	313	22313	<b>423128</b>	7.8	2.5591 (65)	5.5118 (140)	1.8898 (48)
70	314	22314	<b>423129</b>	9.3	2.7559 (70)	5.9055 (150)	2.0079 (51)
75	315	22315	<b>423130</b>	11.5	2.9528 (75)	6.2992 (160)	2.1654 (55)
80	316	22316	<b>423144</b>	13.1	3.1496 (80)	6.6929 (170)	2.2835 (58)
85	317	22317	<b>423131</b>	15.7	3.3465 (85)	7.0866 (180)	2.3622 (60)
100	320	22320	<b>423132</b>	28.0	3.9370 (100)	8.4646 (215)	2.8740 (73)
110	322	22322	<b>423133</b>	38.8	4.3307 (110)	9.4488 (240)	3.1496 (80)
120	324	22324	<b>423134</b>	48.3	4.7244 (120)	10.2362 (260)	3.3858 (86)
130	326	22326	<b>423135</b>	59.7	5.1181 (130)	11.0236 (280)	3.6614 (93)
140	328	22328	<b>423136</b>	75.4	5.5118 (140)	11.8110 (300)	4.0157 (102)
150	330	2230	<b>423137</b>	90.4	5.9055 (150)	12.5984 (320)	4.2520 (108)
160	332	22332	<b>423138</b>	113.0	6.2992 (160)	13.3858 (350)	4.4882 (114)
170	334	22334	<b>423139</b>	132.0	6.6929 (170)	14.1732 (360)	4.7244 (120)
190	338	22338	<b>423140</b>	179.0	7.4803 (190)	15.7480 (400)	5.1969 (132)

FEATURES/BENEFITS PAGE B11-3	HOW TO ORDER PAGE B11-9	NOMENCLATURE PAGE B11-10	SELECTION/DIMENSIONS PAGE B11-30
---------------------------------	----------------------------	-----------------------------	-------------------------------------



# SELECTION/DIMENSIONS



## USAF 300 Series Bearing Shaft Details



Nominal Bearing Bore Dia. (mm)	Shaft Bearing Seat Diameters (Inch)					Mean Fit
	Normal Load			High Load		
	* S-1		Mean Fit	* S-1		
	Max	Min		Max	Min	
40	1.5758	1.5752	.0009T	1.5761	1.5655	.0012T
45	1.7727	1.7721		1.7730	1.7724	
50	1.9697	1.9689	.0011T	1.9700	1.9693	.0014T
55	2.1666	2.1658		2.1669	2.1662	
60	2.3634	2.3626		2.3637	2.3630	
65	2.5603	2.5595		2.5606	2.5599	
70	2.7571	2.7563		2.7574	2.7567	
75	2.9540	2.9532		2.9543	2.9536	
80	3.1508	3.1501	.0012T	3.1511	3.1504	.0015T
85	3.3479	3.3470	.0014T	3.3484	3.3475	.0019T
100	3.9384	3.9375		3.9389	3.9380	
110	4.3321	4.3312		4.3326	4.3317	
120	4.7258	4.7249		4.7263	4.7254	
130	5.1197	5.1187	.0016T	5.1203	5.1193	.0022T
140	5.5134	5.5124		5.5140	5.5130	
150	5.9071	5.9061		5.9077	5.9067	
160	6.3008	6.2998		6.3014	6.3004	
170	6.6945	6.6935		6.6951	6.6941	
190	7.4821	7.4809	.0019T	7.4829	7.4817	.0026T

Normal Load  
P/C = 0.10 TO 0.18

High Load  
P/C > 0.18

Where P = Equivalent dynamic load on the bearing (lbs.)  
C = Basic dynamic load rating of bearing (lbs.)

FEATURES/BENEFITS PAGE B11-3	HOW TO ORDER PAGE B11-9	NOMENCLATURE PAGE B11-10	SELECTION/DIMENSIONS PAGE B11-30
---------------------------------	----------------------------	-----------------------------	-------------------------------------



# SELECTION/DIMENSIONS



## USAF 300 Series Bearing Shaft Details

Housing	Locknut & Washer Kit Part No.	A Brg Bore	S-2	S-3	Keyway			
					F Depth +1/64 -0	H Width +1/64 -0	K Full Depth Length	R Max Radius
308	046751	1.5748 (40 mm)	1-15/16	1-7/16	3/32	5/16	21/32	0.059
309	046752	1.7717 (45 mm)	2-1/8	1-11/16	3/32	5/16	11/16	0.059
310	046753	1.9685 (50 mm)	2-3/8	1-7/8	3/32	5/16	3/4	0.079
311	046754	2.1654 (55 mm)	2-9/16	2-1/16	1/8	5/16	3/4	0.079
312	046772	2.3622 (60 mm)	2-7/8	2-1/4	1/8	5/16	25/32	0.079
313	046755	2.5591 (65 mm)	3-1/16	2-7/16	1/8	5/16	13/16	0.079
314	046773	2.7559 (70 mm)	3-1/4	2-5/8	1/8	5/16	29/32	0.079
315	046756	2.9528 (75 mm)	3-7/16	2-13/16	1/8	5/16	15/16	0.079
316	046757	3.1496 (80 mm)	3-5/8	3	1/8	3/8	15/16	0.079
317	046758	3.3465 (85 mm)	3-15/16	3-3/16	1/8	3/8	31/32	0.098
320	046760	3.9370 (100 mm)	4-1/2	3-13/16	5/32	3/8	1-3/16	0.098
322	046761	4.3307 (110 mm)	4-7/8	4-3/16	3/16	3/8	1-7/32	0.098
324	046762	4.7244 (120 mm)	5-5/16	4-9/16	3/16	3/8	1-1/4	0.098
326	046763	5.1181 (130 mm)	5-7/8	4-15/16	3/16	1/2	1-5/16	0.118
328	046764	5.5118 (140 mm)	6-1/4	5-5/16	3/16	5/8	1-3/8	0.118
330	046765	5.9055 (150 mm)	6-5/8	5-3/4	7/32	5/8	1-1/2	0.118
332	046766	6.2992 (160 mm)	7	6-1/16	15/64	5/8	1-9/16	0.118
334	046767	6.6929 (170 mm)	7-7/16	6-7/16	15/64	3/4	1-19/32	0.118
338	046769	7.4803 (190 mm)	8-3/8	7-1/4	15/64	3/4	1-21/32	0.157

Housing	Threads Per Inch	B Thread Major Dia		D Thread Pitch Dia		C Thread Length +1/64 -0	I Thread Relief +1/64 -0	P† Thread Relief Dia.
		Max	Min	Max	Min			
		308	18	1.5630	1.5548			
309	18	1.7670	1.7588	1.7309	1.7204	17/32	1/8	1.6832
310	18	1.9670	1.9588	1.9309	1.9264	19/32	1/8	1.8832
311	18	2.1570	2.1488	2.1209	2.1159	19/32	1/8	2.0732
312	18	2.3600	2.3518	2.3239	2.3188	5/8	1/8	2.2762
313	18	2.5480	2.5398	2.5119	2.5068	21/32	1/8	2.4642
314	18	2.7510	2.7428	2.7149	2.7098	21/32	1/8	2.6672
315	12	2.9330	2.9218	2.8789	2.8735	11/16	5/32	2.7995
316	12	3.1370	3.1258	3.0829	3.0770	11/16	5/32	3.0035
317	12	3.3400	3.3288	3.2859	3.2800	23/32	5/32	3.2065
320	12	3.9180	3.9068	3.8639	3.8565	7/8	5/32	3.7845
322	12	4.325	4.3138	4.2709	4.2626	29/32	5/32	4.1915
324	12	4.716	4.7048	4.6619	4.6536	15/16	5/32	4.5825
326	12	5.106	5.0948	5.0519	5.0436	1	5/32	4.9725
328	12	5.497	5.4858	5.4429	5.4346	1-1/16	5/32	5.3635
330	12	5.888	5.8768	5.8339	5.8256	1-1/8	5/32	5.7545
332	8	6.284	6.2688	6.2028	6.1937	1-3/16	1/4	6.0993
334	8	6.659	6.6438	6.5778	6.5687	1-7/32	1/4	6.4743
338	8	7.472	7.4568	7.3908	7.3817	1-9/32	1/4	7.2873

† Tolerance ±.005 through 2.6672 dia; ±.010 for larger sizes

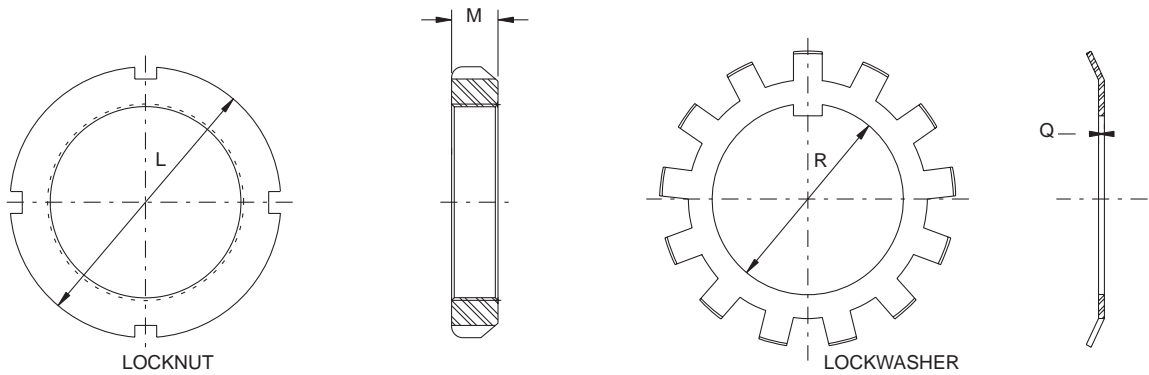
FEATURES/BENEFITS PAGE B11-3	HOW TO ORDER PAGE B11-9	NOMENCLATURE PAGE B11-10	SELECTION/DIMENSIONS PAGE B11-30
---------------------------------	----------------------------	-----------------------------	-------------------------------------



# SELECTION/DIMENSIONS



## USAF 300 Series Bearing Locknut & Washers



Housing	Locknut		Lockwasher		L (Inch)	M (Inch)	R (Inch)	Q (Inch)
	Descrip.	Part No.	Descrip.	Part No.				
308	N08	407305	W08	419151	2.25	0.44	1.583	0.048
309	N09	419187	W09	419180	2.53	0.44	1.792	0.048
310	N10	419188	W10	419181	2.69	0.50	1.992	0.048
311	N11	419184	W11	419182	2.97	0.50	2.182	0.053
312	N12	407302	W12	419008	3.16	0.53	2.400	0.053
313	N13	419185	W13	419183	3.38	0.56	2.588	0.053
314	N14	407306	W14	419153	3.62	0.56	2.791	0.053
315	AN15	460901	W15	419150	3.88	0.59	2.988	0.072
316	AN16	460902	W16	419152	4.16	0.59	3.192	0.072
317	AN17	460903	W17	419154	4.41	0.62	3.410	0.072
320	AN20	460905	W20	419158	5.19	0.75	4.003	0.094
322	AN22	460906	W22	419160	5.72	0.78	4.410	0.125
324	AN24	041071	W24	419162	6.12	0.81	4.816	0.125
326	AN26	041064	W26	419164	6.75	0.88	5.209	0.125
328	AN28	041065	W28	419166	7.09	0.94	5.600	0.125
330	AN30	041072	W30	419168	7.69	0.97	6.001	0.156
332	AN32	041066	W32	419170	8.06	1.03	6.407	0.156
334	AN34	041067	W34	419172	8.66	1.06	6.782	0.156
338	AN38	041068	W38	419176	9.47	1.12	7.595	0.156

IMPERIAL - ISAF

UNIFIED SAF

International Bearings

Sleeve Bearing

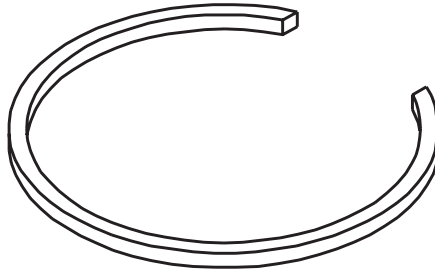
SLEEVOLT

FEATURES/BENEFITS PAGE B11-3	HOW TO ORDER PAGE B11-9	NOMENCLATURE PAGE B11-10	SELECTION/DIMENSIONS PAGE B11-30
---------------------------------	----------------------------	-----------------------------	-------------------------------------

# SELECTION/DIMENSIONS



## USAF Stabilizing Rings



Housing	Stab. Ring No.	Stab. Ring Part No. ▲	Housing	Stab. Ring No.	Stab. Ring Part No. ▲
509	9-9	041987	308	10-8	042335
510	10-8	042335	609/309	11-9	042315
511	11-9	042315	610/310	0-10	046642
513	13-0	042316	611/311	6-11	046632
515/215	15-0	041174	312	15-0	041174
516/216	16-13	041172	613/313	16-13	041172
517/217	17-14	041175	314	17-14	041175
518/218	18-15	041173	615/315	18-15	041173
520/220	20-17	041176	616/316	19-16	046643
522/222	22-19	041177	617/317	20-17	041176
524/224	24-20	041185	620/320	24-20	041185
526/226	26-0	041178	622/322	0-22	046635
528/228	28-0	041179	624/324	0-24	046634
530/230	30-0	041186	626/326	0-26	046637
532/232	32-0	041180	628/328	0-28	046638
534/234	34-0	041181	630/330	36-30	041184
536/236	36-30	041184	632/332	38-32	041182
538/238	38-32	041182	634/334	40-34	040850
540/240	40-34	046639	638/338	44-38	041183
544S/544/244	44-38	041183			
* 048	A8897	041161			
* 052	A8898	422554			
* 056/056L	A8819	041213			

\* Two stabilizing rings required per housings

▲ Part numbers for reference only. Housings come equipped with stabilizing rings enclosed

FEATURES/BENEFITS PAGE B11-3	HOW TO ORDER PAGE B11-9	NOMENCLATURE PAGE B11-10	SELECTION/DIMENSIONS PAGE B11-30
---------------------------------	----------------------------	-----------------------------	-------------------------------------

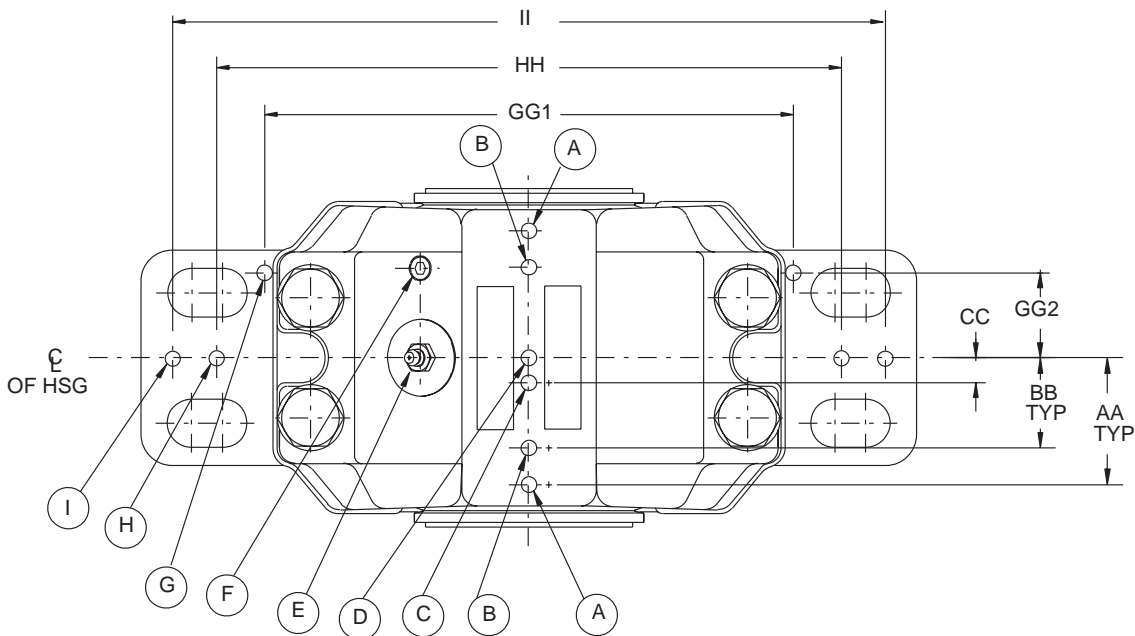
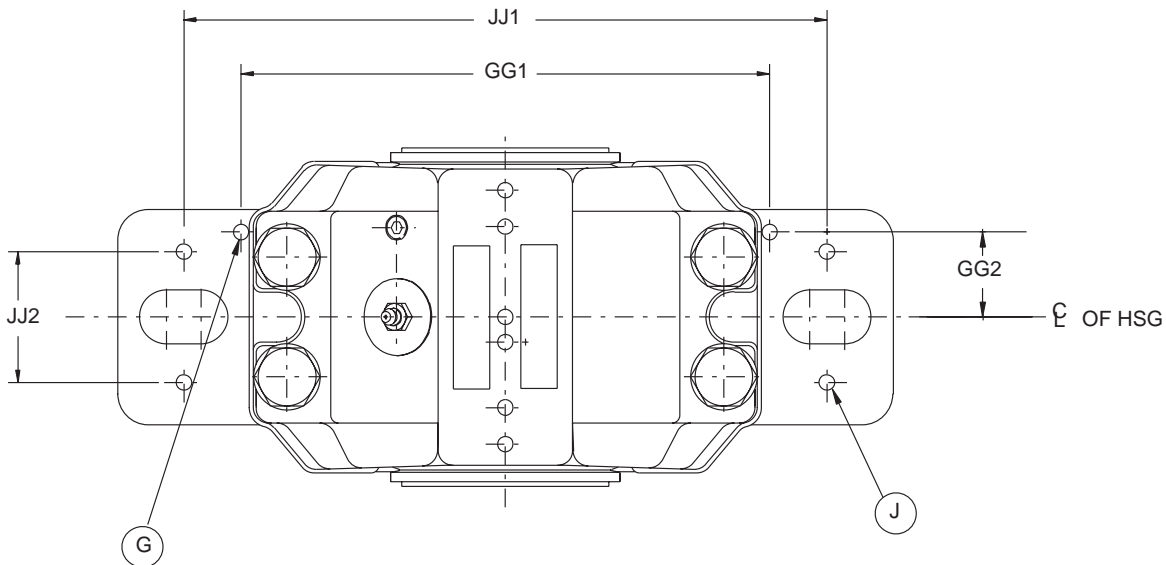


# SELECTION/DIMENSIONS



## USAF Pillow Block - 500 & 200

### DOWEL PIN, LUBRICATION & MOUNTING HOLE POSITIONS



IMPERIAL - ISAF

UNIFIED SAF

International Bearings

Sleeve Bearing

SLEEVOIL

FEATURES/BENEFITS PAGE B11-3	HOW TO ORDER PAGE B11-9	NOMENCLATURE PAGE B11-10	SELECTION/DIMENSIONS PAGE B11-30
---------------------------------	----------------------------	-----------------------------	-------------------------------------

# SELECTION/DIMENSIONS



## USAF Pillow Block - 500 & 200 DOWEL PIN, LUBRICATION & MOUNTING HOLE POSITIONS

Item	Description
A	Optional Seal Grease Location
B	Optional Location For Vent, Vibration Pickup And/or Grease Location For Non W33 Grooved Bearing
C	Position For Thermocouple Location
D	Position For Lubrication Of Bearing With W33 Groove
E	Lubrication Port For W33 Groove
	Groove Bearing Drilled Standard On Pillow Blocks
F	Pre-Drilled And Tap Location For Vent Or Side Lubrication For Bearing Without W33 Groove
G	Dowel Pin Location For Metric Plummer Blocks
H	Drilling Location For Two Bolt Mounting Or Optional Dowel Pin Location
I	Optional Location For Dowel Pin Location
J	Drilling Location For Four Bolt Mounting Or Optional Dowel Pin Location

USAF Housing	AA	BB	CC	GG1	GG2	G Max Dia	HH	H		II	JJ1	JJ2	J	
								Hole Size	Bolt Size				Hole Size	Bolt Size
509	1-29/64	27/32	1/4	5-5/16	29/32	15/64	-	-	-	-	6-5/16	1-11/32	7/16	3/8
510	1-17/32	57/64	17/64	5-5/16	29/32	15/64	-	-	-	-	6-5/16	1-11/32	7/16	3/8
511	1-21/32	1	9/32	6-11/16	1-1/16	5/16	-	-	-	-	7-7/8	1-9/16	9/16	1/2
513	1-27/32	1-9/32	11/32	7-1/2	1-1/4	5/16	9-1/16	11/16	5/8	10-1/4	8-21/32	1-7/8	9/16	1/2
515/215	1-7/8	1-7/32	23/64	7-1/2	1-1/4	5/16	9-1/16	11/16	5/8	10-1/4	8-21/32	1-7/8	9/16	1/2
516/216	2-1/32	1-3/8	5/16	8-19/32	1-3/8	5/16	10-1/4	13/16	3/4	11-19/32	9-15/16	2-1/16	11/16	5/8
517/217	2-1/16	1-15/32	13/32	8-19/32	1-3/8	5/16	10-1/4	13/16	3/4	11-19/32	9-15/16	2-1/16	11/16	5/8
518/218	2-3/8	1-1/2	7/16	9-7/16	1-29/64	5/16	11-13/32	13/16	3/4	12-5/8	11-1/32	2-9/32	11/16	5/8
520/220	2-11/16	1-23/32	17/32	10-1/4	1-39/64	5/16	12-19/32	15/16	7/8	14-23/64	11-13/16	2-19/32	13/16	3/4
522/222	2-13/16	1-15/16	19/32	11-1/32	1-25/32	15/32	13-25/32	15/16	7/8	15-1/2	12-19/32	2-29/32	13/16	3/4
524/224	3-1/8	1-29/32	11/16	11-27/64	1-25/32	15/32	13-7/8	15/16	7/8	15-7/8	13	2-29/32	13/16	3/4
526/226	3-1/4	2-3/32	3/4	12-25/32	2-3/64	15/32	14-31/32	1-1/16	1	17-3/8	14-9/16	3-5/32	15/16	7/8
528/228	3-31/64	2-17/32	3/4	13-19/32	2-5/32	15/32	16-17/32	1-5/16	1-1/4	18-11/16	15-3/4	3-5/8	1-1/16	1
530/230	3-27/32	2-17/32	13/16	14-3/4	2-3/8	15/32	17-23/32	1-5/16	1-1/4	19-1/2	16-15/16	3-15/16	1-1/16	1
532/232	4-3/32	2-9/16	29/32	15-9/16	2-23/64	15/32	18-1/2	1-5/16	1-1/4	20-9/32	17-23/32	3-15/16	1-1/16	1
534/234	4-1/8	3	1	-	-	-	20-1/2	1-9/16	1-1/2	23-3/8	-	-	-	-
536/236	4-5/16	3	1	-	-	-	22-1/4	1-9/16	1-1/2	25-1/4	-	-	-	-
538/238	4-1/2	3-1/8	1-1/8	-	-	-	23	1-9/16	1-1/2	26-5/8	-	-	-	-
540/240	4-55/64	3-7/32	1-1/8	-	-	-	23-3/4	1-9/16	1-1/2	27-1/4	-	-	-	-
544/244	5-13/64	3-5/8	1-3/16	-	-	-	26-5/6	1-13/16	1-3/4	30-3/4	-	-	-	-
048	4-55/64	3-7/32	1-1/8	-	-	-	23-3/4	1-9/16	1-1/2	27-1/4	-	-	-	-
052	5-13/64	3-5/8	1-3/16	-	-	-	26-5/6	1-13/16	1-3/4	30-3/4	-	-	-	-
056	5-43/64	3-3/4	1-13/64	-	-	-	27-7/8	2-1/16	2	32-1/4	-	-	-	-

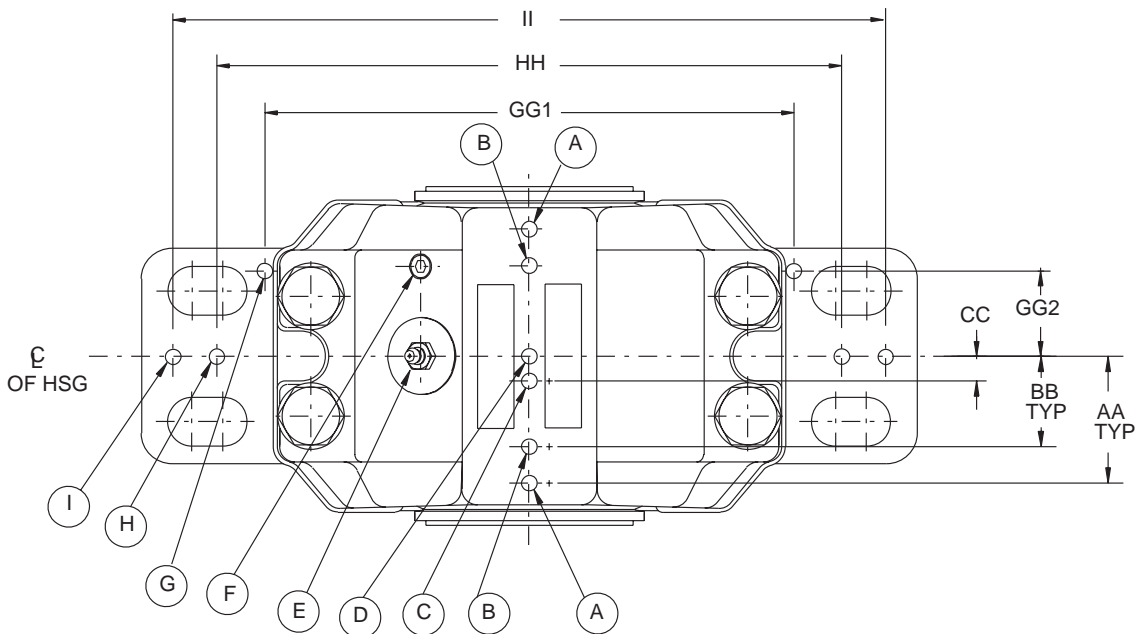
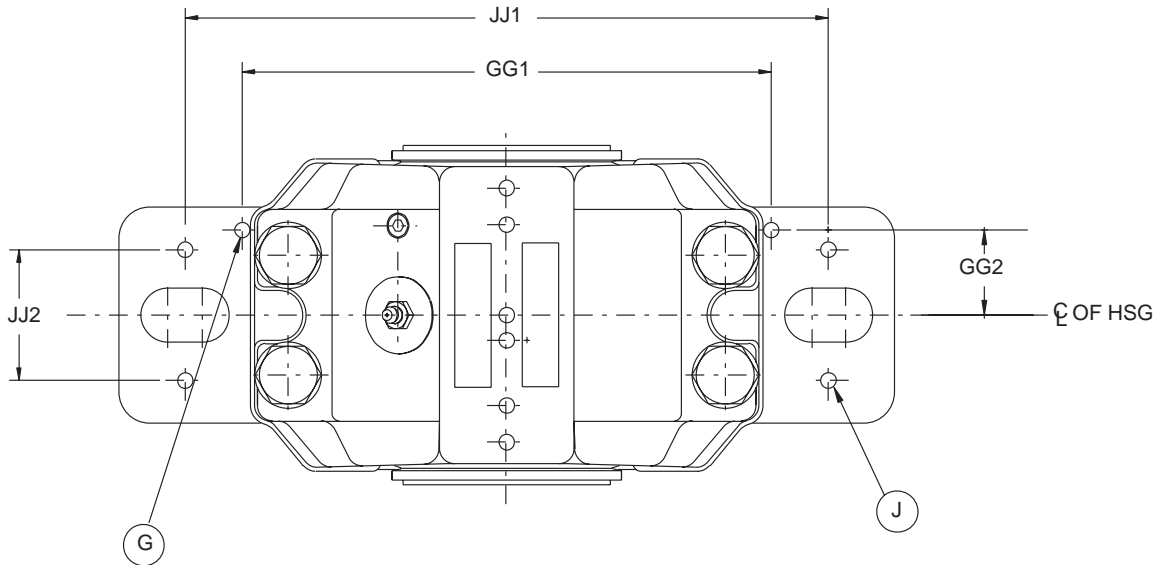
FEATURES/BENEFITS PAGE B11-3	HOW TO ORDER PAGE B11-9	NOMENCLATURE PAGE B11-10	SELECTION/DIMENSIONS PAGE B11-30
---------------------------------	----------------------------	-----------------------------	-------------------------------------



# SELECTION/DIMENSIONS



## USAF Pillow Block - 600 & 300 DOWEL PIN, LUBRICATION & MOUNTING HOLE POSITIONS



IMPERIAL - ISAF

UNIFIED SAF

International Bearings

Sleeve Bearing

SLEEVOIL

FEATURES/BENEFITS PAGE B11-3	HOW TO ORDER PAGE B11-9	NOMENCLATURE PAGE B11-10	SELECTION/DIMENSIONS PAGE B11-30
---------------------------------	----------------------------	-----------------------------	-------------------------------------

# SELECTION/DIMENSIONS



## USAF Pillow Block - 600 & 300 DOWEL PIN, LUBRICATION & MOUNTING HOLE POSITIONS

Item	Description
A	OPTIONAL SEAL GREASE LOCATION
B	OPTIONAL LOCATION FOR VENT, VIBRATION PICKUP AND/OR GREASE LOCATION FOR NON W33 GROOVED BEARING
C	POSITION FOR THERMOCOUPLE LOCATION
D	POSITION FOR LUBRICATION OF BEARING WITH W33 GROOVE
E	LUBRICATION PORT FOR W33 GROOVE GROOVE BEARING DRILLED STANDARD ON PILLOW BLOCKS
F	PRE-DRILLED AND TAP LOCATION FOR VENT OR SIDE LUBRICATION FOR BEARING WITHOUT W33 GROOVE
G	DOWEL PIN LOCATION FOR METRIC PLUMMER BLOCKS
H	DRILLING LOCATION FOR TWO BOLT MOUNTING OR OPTIONAL DOWEL PIN LOCATION
I	OPTIONAL LOCATION FOR DOWEL PIN LOCATION
J	DRILLING LOCATION FOR FOUR BOLT MOUNTING OR OPTIONAL DOWEL PIN LOCATION

USAF Housing	AA	BB	CC	GG1	GG2	G Max Dia	HH	H		II	JJ1	JJ2	J	
								Hole Size	Bolt Size				Hole Size	Bolt Size
308	1-17/32	57/64	17/64	5-5/16	29/32	15/64	-	-	-	-	6-5/16	1-11/32	7/16	3/8
609/309	1-21/32	1	9/32	6-11/16	1-1/16	5/16	-	-	-	-	7-7/8	1-9/16	9/16	1/2
610/310	1-27/32	1	11/32	6-49/64	1-1/16	5/16	-	-	-	-	7-7/8	1-9/16	9/16	1/2
611/311	1-27/32	1-9/16	11/32	7-1/2	1-1/4	5/16	9-1/16	11/16	5/8	10-1/4	8-21/32	1-7/8	9/16	1/2
312	1-7/8	1-7/32	23/64	7-1/2	1-1/4	5/16	9-1/16	11/16	5/8	10-1/4	8-21/32	1-7/8	9/16	1/2
613/313	2-1/32	1-3/8	5/16	8-19/32	1-3/8	5/16	10-1/4	13/16	3/4	11-19/32	9-15/16	2-1/16	11/16	5/8
314	2-1/16	1-15/32	13/32	8-19/32	1-3/8	5/16	10-1/4	13/16	3/4	11-19/32	9-15/16	2-1/16	11/16	5/8
615/315	2-3/8	1-1/2	7/16	9-7/16	1-29/64	5/16	11-13/32	13/16	3/4	12-5/8	11-1/32	2-9/32	11/16	5/8
616/316	2-17/32	1-5/8	17/32	9-7/16	1-29/64	5/16	11-13/32	13/16	3/4	13	11-1/32	2-9/32	11/16	5/8
617/317	2-11/16	1-23/32	17/32	10-1/4	1-39/64	5/16	12-19/32	15/16	7/8	14-23/64	11-13/16	2-19/32	13/16	3/4
620/320	3-1/8	1-29/32	11/16	11-27/64	1-25/32	15/32	13-7/8	15/16	7/8	15-7/8	13	2-29/32	13/16	3/4
622/322	3-1/4	2-3/32	3/4	12-25/32	2-3/64	15/32	14-31/32	1-1/16	1	17-3/8	14-9/16	3-5/32	15/16	7/8
624/324	3-27/32	2-17/32	13/16	14-3/4	2-3/8	15/32	17-23/32	1-5/16	1-1/4	19-1/2	16-15/16	3-15/16	1-1/16	1
626/326	4-3/32	2-9/16	29/32	15-9/16	2-23/64	15/32	18-1/2	1-5/16	1-1/4	20-9/32	17-23/32	3-15/16	1-1/16	1
628/328	4-1/8	3	1	-	-	-	20-1/2	1-9/16	1-1/2	23-3/8	-	-	-	-
630/330	4-5/16	3	1	-	-	-	22-1/4	1-9/16	1-1/2	25-1/4	-	-	-	-
632/332	4-1/2	3-1/8	1-1/8	-	-	-	23	1-9/16	1-1/2	26-5/8	-	-	-	-
634/334	4-55/64	3-7/32	1-1/8	-	-	-	23-3/4	1-9/16	1-1/2	27-1/4	-	-	-	-
638/338	5-13/64	3-5/8	1-3/16	-	-	-	26-5/16	1-13/16	1-3/4	30-3/4	-	-	-	-

FEATURES/BENEFITS PAGE B11-3	HOW TO ORDER PAGE B11-9	NOMENCLATURE PAGE B11-10	SELECTION/DIMENSIONS PAGE B11-30
---------------------------------	----------------------------	-----------------------------	-------------------------------------

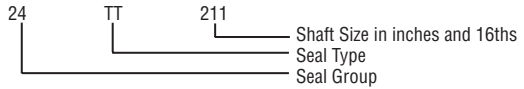


# SELECTION/DIMENSIONS



## USAF Housing VS Seal Group Interchange Chart

All DODGE seals are identified as follows:



Seal group numbers identify common housing seal grooves found on different series housings. The standard shaft sizes for various housings are shown.

Shaft Size	Housing	Seal* Group
1-7/16	509	08
	308	
	609	
1-11/16	510	10
	309	
	610	
1-7/8	310	12
	511	
1-15/16	308	12
	611	
	311	
2-1/16	311	14
	309	
2-1/8	309	14
	513	
2-3/16	613	14
	312	
2-1/4	312	18
	310	
2-7/16	515	20
	615	
	313	
2-1/2	515	20
	615	
2-5/8	314	22
	311	
2-9/16	311	22
	516	
2-11/16	616	24
	516	
	616	
2-3/4	516	24
	616	
	215	
2-13/16	315	26
	312	
2-7/8	312	26
	517	
2-15/16	617	28
	216	
	316	
3	517	28
	617	
	313	
3-1/16	217	32
	317	
	518	
3-3/16	317	34
	318	
3-1/4	314	32
	218	
3-3/8	218	36
	215	
3-7/16	315	38
	520	
	620	
3-1/2	520	46
	620	

Shaft Size	Housing	Seal* Group
3-5/8	216	38
	316	
3-13/16	220	50
	320	
	217	
3-15/16	317	42
	522	
	622	
4	522	50
	622	
	218	
4-1/8	218	44
	524	
4-3/16	222	52
	624	
	322	
	526	
4-7/16	626	54
	220	
4-1/2	320	54
	526	
	626	
4-9/16	224	56
	324	
4-7/8	222	56
	322	
	226	
4-15/16	326	56
	528	
	628	
	528	
5	628	58
	530	
5-3/16	630	58
	224	
5-5/16	228	58
	324	
	328	
5-7/16	532	60
	632	
5-1/2	532	60
	632	
5-3/4	230	62
	330	
5-7/8	226	62
	326	
5-15/16	534	64
	634	
	534	
6	634	64
	232	
6-1/16	232	64
	332	

Shaft Size	Housing	Seal* Group
6-1/4	228	66
	328	
6-7/16	334	68
	234	
	536	
6-1/2	536	70
	230	
6-5/8	330	70
	236	
6-7/8	236	72
	538	
6-15/16	638	72
	232	
	332	
7	538	72
	638	
	232	
7-3/16	540	74
	238	
7-1/4	338	74
	334	
7-7/16	234	76
	544S	
7-1/2	240	76
	236	
7-13/16	236	78
	8	
7-15/16	544	78
	8	
8-5/16	244	80
	238	
8-3/8	338	80
	048	
8-7/16	048	90
	240	
8-1/2	240	82
	048	
8-3/4	240	82
	048	
8-15/16	048	90
	9	
9	3248	90
	052	
9-7/16	052	84
	3152	
9-1/2	3252	84
	244	
9-9/16	244	92
	56	
9-15/16	56	92
	10	
10-7/16	056L	94
	3156	
10-1/2	3256	94
	060	
10-15/16	060	96
	3160	
11	3260	96
	064	
11-7/16	064	98
	11-1/2	

Shaft Size	Housing	Seal* Group
11-15/16	064L	100
	3164	
12	3264	100
	068	
12-7/16	068	102
	3168	
12-1/2	3268	102
	072	
12-15/16	072	104
	072L	
13-7/16	072L	106
	3172	
13-1/2	3172	106
	076	
13-15/16	076	108
	3176	
14	3176	108
	080	
15	080	110
	084	
15-3/4	084	112

\* Seal groups in 200/300 housing require two seals of different diameters.

IMPERIAL - ISAF

UNIFIED SAF

International Bearings

Sleeve Bearing

SLEEVOIL

FEATURES/BENEFITS PAGE B11-3	HOW TO ORDER PAGE B11-9	NOMENCLATURE PAGE B11-10	SELECTION/DIMENSIONS PAGE B11-30
---------------------------------	----------------------------	-----------------------------	-------------------------------------



# SELECTION/DIMENSIONS



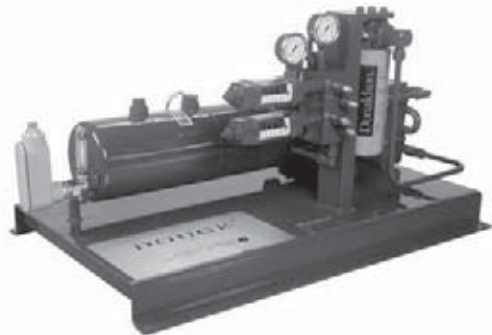
## DODGE Cool Lube System

Custom Engineered for oil lubricated, mounted bearings on fan applications. The DODGE Cool Lube System provides an attractive and reliable alternative to conventional grease and static oil bearing lubrication methods for industrial fan applications. It is particularly suited for applications where bearing operating temperatures and speeds approach maximum permissible levels and for harsh and dirty environments.

Enhance your spherical roller and hydrodynamic bearing operation by continuous oil cooling, filtration, and proper oil level maintenance while your fan is running. Eighty percent of all mounted bearing failures are caused by contamination and lubrication issues. The DODGE Cool Lube System helps to minimize this risk.

The DODGE Cool Lube System provides reduced maintenance costs and increased uptime by providing:

- **Bearing Temperature Reduction:** Increases bearing reliability through bearing temperature reduction. Reducing bearing operating temperatures is proven to significantly increase roller bearing fatigue life.
- **Oil Filtration:** Increases Bearing Life and extends maintenance periods through continuous oil filtration. The DODGE Cool Lube System continuously circulates and filters harmful particles from the bearing oil sump.
- **Automatic Oil Level Control:** The DODGE Cool Lube System will maintain the proper oil level within the oil sump.



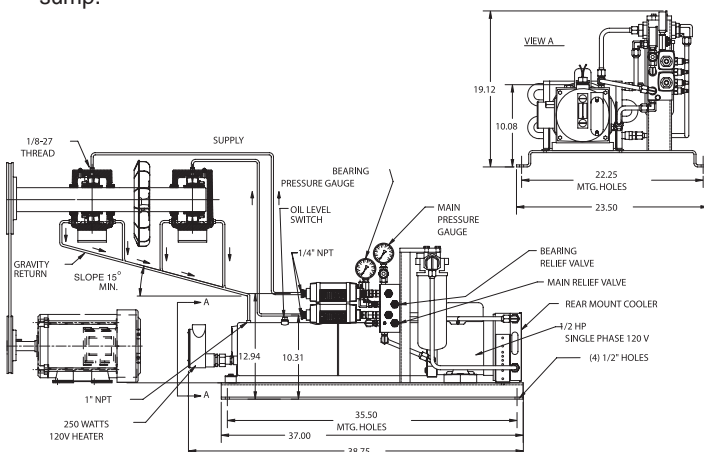
One Cool Lube System per two units for mounted roller bearing products: DODGE Part Numbers:

- **058530** for single phase ½ HP motor
- **067669** for three phase 1 HP motor

Cool Lube System Specifications:

- 3 Gallon Tank
- Pump ½ GPM Flow
- Inline Filter with Clog Indicator
- Pump Relief Valve
- Bearing Line Relief Valve
- Two Pressure Gauges
- Rear Mount Single Air Cooler
- Two Needle Valves
- Two Flow Meters
- 250 Watts Oil Heater with Thermostat
- Oil Level Switch
- Oil Sight Gauge
- Reservoir Breather Cap
- Tubing and JIC Fittings Construction
- All Components Mounted to a Base Plate

**NOTE:** Replacement Filter Part Number **056728**



FEATURES/BENEFITS PAGE B11-3	HOW TO ORDER PAGE B11-9	NOMENCLATURE PAGE B11-10	SELECTION/DIMENSIONS PAGE B11-30
---------------------------------	----------------------------	-----------------------------	-------------------------------------



# SELECTION/DIMENSIONS



## DODGE Cool Lube System helps to:

### Prevent bearing mechanical distress:

- Lowers internal bearing friction thus decreasing bearing operating temperatures
- Minimizes roller to raceway, metal to metal contact
- Reduces roller skidding damage that can occur in lightly loaded applications
- Supplies lubricant directly to load carrying rolling elements
- Increases lube life due to lower temperatures
- Minimizes cage sliding friction wear
- Minimizes effect of ineffective sealing



### Lower maintenance costs:

- Oil change outs are simple
- No need to break housing cap bolts to clean out old grease
- Oil can be inspected for distress on a regular basis to determine oil PM schedule
- Lower bearing temperatures increase service life
- Lower contamination levels increase service life

Once bearing raceway fatigue begins progression of damage is rapid



At first sign of Damage

After 1,000 Hours

After 1,200 Hours

### Prevent bearing contamination:

- Filters out contamination which has passed through seals
- Helps to remove water contamination due to condensation from bearings if a water absorbing filter is used
- Flushes worn raceway, rollers & cage particles from bearings
- Removes contamination caused during installation



IMPERIAL - ISAF

UNIFIED SAF

International Bearings

Sleeve Bearing

SLEEVOIL

FEATURES/BENEFITS PAGE B11-3	HOW TO ORDER PAGE B11-9	NOMENCLATURE PAGE B11-10	SELECTION/DIMENSIONS PAGE B11-30
---------------------------------	----------------------------	-----------------------------	-------------------------------------

# CONTENTS



## International Bearings

Features / Benefits .....	B12-2
How to Order / Nomenclature .....	B12-8
Selection/Dimensions	
HFO .....	B12-9
SNX 500 Plus .....	B12-11
ISN .....	B12-14
SSND .....	B12-17
BL, BLO .....	B12-20
DFL .....	B12-22
PDNF .....	B12-25
Part Number Index .....	INDEX-1
Key Word Index .....	INDEX-34

IMPERIAL - ISAF

UNIFIED SAF

International Bearings

Sleeve Bearing

SLEEVOIL

## FEATURES/BENEFITS

**DODGE**<sup>®</sup>

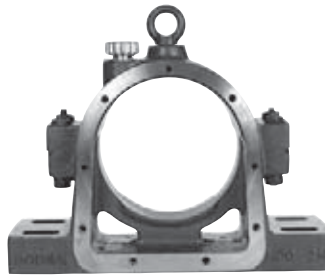
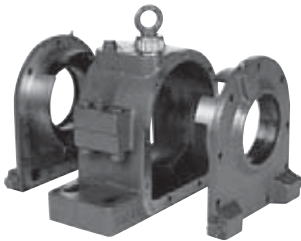
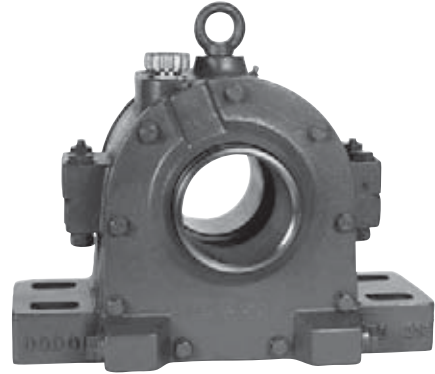


### DODGE Plummer Blocks

#### HFO PLUMMER BLOCK HOUSINGS

Oil-lubricated Bearings with Split Housings

Available in cast iron (GG) for 22200, 22200K, 22300 and 22300K bearings, and in ductile iron (GGG) for 22200 and 22200K bearings.



HFO bearings feature split housings with bolt-on end covers. Large oil sumps provide better cooling, allowing higher operating speeds. Lubrication is accomplished by means of a rotating oil conveying ring which lifts oil from the sump and sprays it onto the bearings. Sight gauges are supplied.

HFO Plummer Block Housings are suitable for applications where reliability and long, maintenance-free intervals are required; e.g. for fans, blowers, and emergency generator sets.

Direct mount (HFO 200 and 300) and adapter mount (HFO 500 and 600) are available. Consult DODGE International Bearing Engineering Catalog.

# FEATURES/BENEFITS



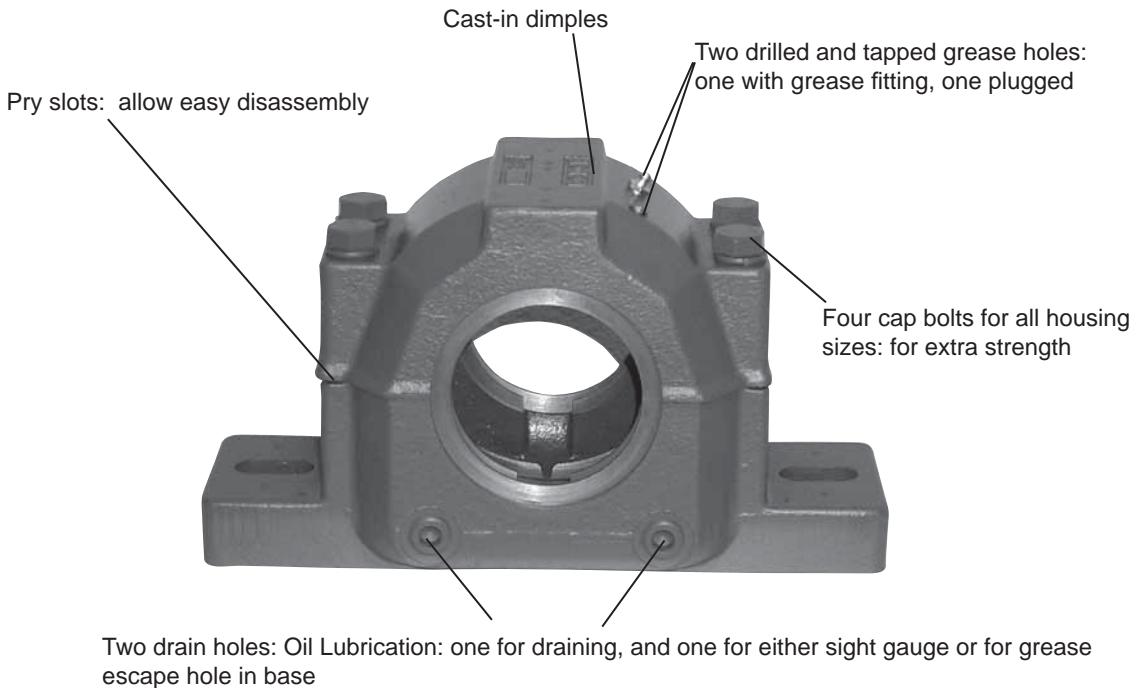
## DODGE Plummer Blocks - SN Series Products

### SNX

Housings of cast iron GG30

SN dimensioned, split housing plummer block bearings are commonly used in the manufacturing, mining and construction industries for mounting self-aligning ball bearings or spherical roller bearings with adapter sleeves or cylindrical bores.

Machined to H7 tolerances, SN series bearings are available in either expansion or non-expansion, and with a variety of sealing options.



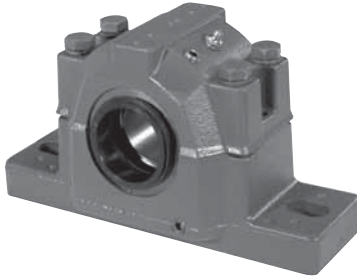
- Standard SNX housings are suitable for either grease or oil lubrication
- Compatible with DODGE EZLINK monitoring system
- Stronger feet for extra load capacity
- Oil equalization passage allows oil flow from side to side
- Oil return slots prevent leaking
- Extra-capacity oil sumps lower operating temperatures
- Oil sight gauges and breather kits are available
- Offset dowels and match marks allow positive matching of caps to bases

## FEATURES/BENEFITS

**DODGE**<sup>®</sup>



### DODGE Plummer Blocks - SN Series Products



#### SNX 30

SNX 30 series housings, made of cast iron GG30, use the heavier duty 23000K series bearings and are available in sizes from 110 mm to 170 mm



#### SNF 500 Plus

Dimensionally interchangeable with SNX, as are all the SN designated housings, SNX 500 Plus uses 22200K or 23200K bearings, and is shorter through bore than the SNX. The SNF 500 Plus is available in a Split Sphere design.

### ISN



IMPERIAL mount SN housing is a one-piece plummer block featuring a world-class, patented, adapter-mounting system. ISN arrives pre-assembled and shaft ready, and may be installed or removed in fifteen minutes.

- Dimensionally interchangeable with SN family housing
- Cast-in drilling location dimples
- Full-shaft contacting, concentric adapter virtually eliminates fretting and provides superior holding capacity
- Precise clearance setting is achieved automatically, without feeler gauges
- Uses 22200 series spherical roller bearings; steel cages and guide rings

## FEATURES/BENEFITS

**DODGE**<sup>®</sup>



### DODGE Plummer Blocks – SN Series Products



#### SSND

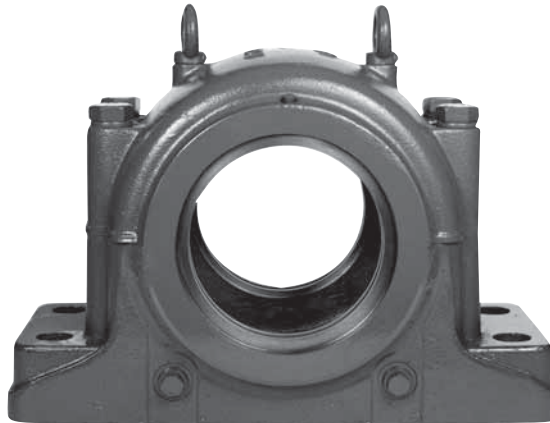
Made of spheroidal ductile iron (GGG40), these housings offer 90% of the tensile strength of cast steel (GS45) and 110% of the elasticity of cast steel but at a lower cost than cast steel. SSND housings are good for heavy shock loads and/or low temperatures.

#### SSND offers:

- Stronger feet for extra load capacity
- Pry slots for easier disassembly
- Offset dowels and match marks for matching cap to base
- Two drilled and tapped grease holes: one with grease fitting, one plugged
- Six sealing options

### DODGE Plummer Blocks - SD Series Products

#### DODGE SDX (GG30) and DODGE SDXD (GGG40)



These heavy duty bearings are four-bolt, split housings using either 23000K or 23100K bearings. Sizes range from 180 mm to 320 mm using 23000K bearings: from 150 mm to 300 mm using 23100K bearings.

All SDX and SDXD housings have drilled and tapped grease holes with grease fittings. Additionally, the housings are pre-drilled with grease holes and fittings over the seal groove, providing a Taconite type-of seal. TS labyrinth seals are standard.

IMPERIAL - ISAF

UNIFIED SAF

International Bearings

Sleeve Bearing

SLEEVOIL

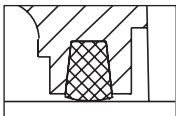
# FEATURES/BENEFITS



## Seals - SN Series Products One Housing - Many Seals

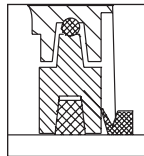
### FS

Felt Seal: Standard  
SNX 209 - SNX 232  
SSND 209 - SSND 232  
SNX 3028 - SNC 3039  
SNF 505 Plus - SNF 532 Plus



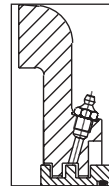
### SK VR

Felt strip with V-ring seal  
SNX 509 - SNX 532  
SNX 308 - SNX 320  
SNX 608 - SNX 620  
SSND 509 - SSND 532  
SSND 308 - SSND 320  
SSND 608 - SSND 620



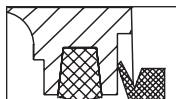
### TS - SDX

Labyrinth Seal: Standard  
SDX 3040 - SDX 3068  
SDX 3134 - SDX 3164  
SDXD 3040 - SDXD 3068  
SDXD 3134 - SDXD 3164



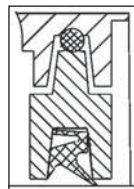
### VR

Felt strip with V-ring seal  
SNX 209 - SNX 232  
SSND 209 - SSND 232  
SNX 3028 - SNX 3038  
SNF 505 Plus - SNF 532 Plus



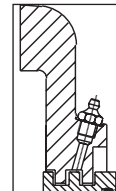
### SK LD

Split two lip radial seal  
SNX 509 - SNX 532  
SNX 608 - SNX 620  
SSND 509 - SSND 532  
SSND 608 - SSND 620



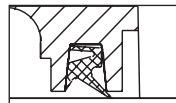
### TT - SDX

Triple - Tect / Taconite Seal  
SDX 3040 - SDX 3068  
SDX 3134 - SDX 3164  
SDXD 3040 - SDXD 3068  
SDXD 3134 - SDXD 3164



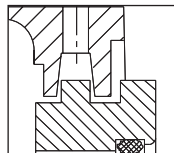
### LD

Split two lip radial seal  
SNX 209 - SNX 224  
SSND 209 - SSND 232  
SNX 3028 - SNX 3032  
SNF 505 Plus - SNF 532 Plus



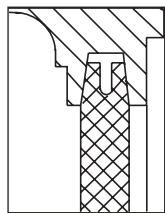
### TS- SNX

Labyrinth seal  
SNX 509 - SNX 532



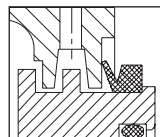
### DK

End Cover  
SNX 209 - SNX 232  
SNX 509 - SNX 532  
SNX 308 - SNX 320  
SNX 608 - SNX 620  
SSND 209 - SSND 232  
SSND 509 - SSND 532  
SSND 308 - SSND 320  
SSND 608 - SSND 620  
SNX 3028 - SNX 3038  
SNF 505 Plus - SNF 532 Plus



### TT - SNX

Triple - Tect  
SNX 509 - SNX 532



	FS	LD	VR & TT	TS	DK
Max. circumferential speeds	4 m/s	8 m/s	4 m/s	brg. RPM limit	-
Max temperature	80-90°C	100-110°C	100-110°C	100-110°C	100-110°C



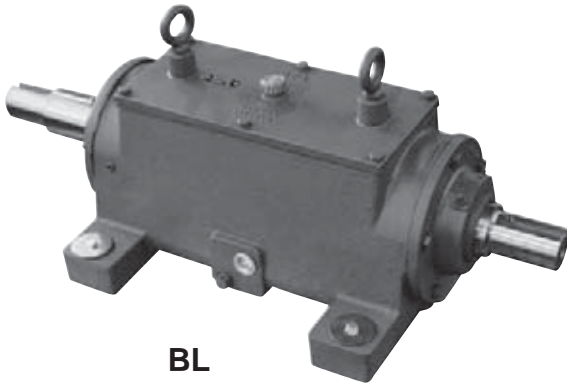
# FEATURES/BENEFITS



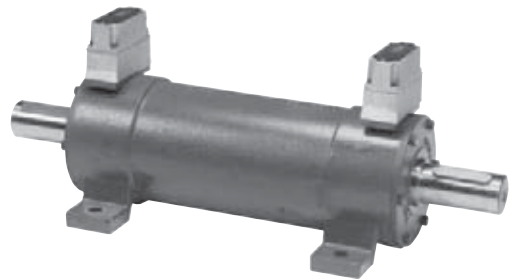
## Dodge Two-Bearing Housings (Mono Block)

**BL, DFL, and PDNF** style bearings, especially developed for fan applications, incorporate two bearing seats in each housing. This two-bearing construction in a single housing eliminates misalignment

The bearing seats accommodate either deep-groove ball bearings or cylindrical roller bearings, enabling great design flexibility.



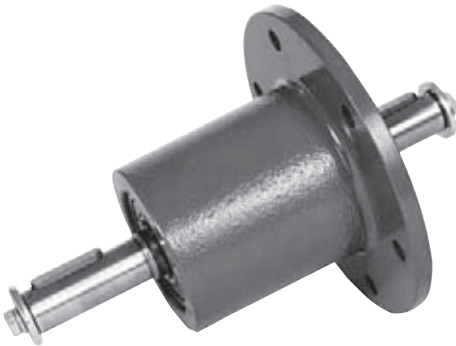
**BL**



**PDNF**

Pressed-on bearings, coupled with special, tighter housing fits afford smoother, quieter running which, in turn, allows cooler temperatures and higher speeds.

PDNF, DFL and BL-W bearings are grease lubricated, while BLO is oil lubricated for higher speeds. DFL bearings are flange-mounted. DFSL has adjustable clamping flanges.



**DFL**

IMPERIAL - ISAF

UNIFIED SAF

International Bearings

Sleeve Bearing

SLEEVOIL

# HOW TO ORDER / NOMENCLATURE



## DODGE International Bearings

### Housing types

HFO – Four-bolt, split, plummer block housings

SNX – Two-bolt, split, plummer block housings w/SN dimensions

SSND – Two or four-bolt, split, plummer block housings w/SN dimensions, ductile iron

SNF 500 Plus – Two-bolt, split, plummer block w/SN dimensions; shorter through bore

SDX – Four-bolt, split, plummer block housings; SDXD is ductile iron

DFL – Flanged, two-bearing Mono Block; DFLS has a split flange for length adjustment

PDNF – Two-bearing Mono Block

BL – Two bearing Mono Block for grease lubrication

BLO – Two-bearing Mono Block for oil lubrications

### Suffixes

KPL – Assembled with bearings and shaft

HT – For high temperatures

NS – Relubricative

A – One end closed

B – Both ends open

F – Fixed bearing; non-expansion

L – Floating bearing; expansion

GG – Cast iron

GGG or D – Ductile iron (spheroidal graphite iron)

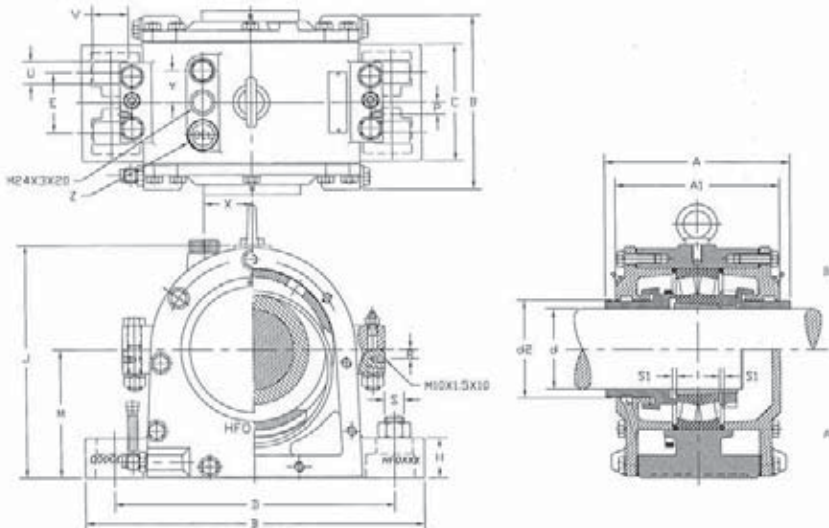
**PLEASE REFER TO DODGE EUROPEAN BEARING ENGINEERING CATALOG FOR TECHNICAL AND ENGINEERING INFORMATION, AS WELL AS COMPLETE INFORMATION ON ALL HOUSINGS (INCLUDING 200, 300 AND 600 SERIES) AND BEARINGS SNF 500 PLUS, SNX 30, SDX 3000 and SDX3100 NOT INCLUDED IN THIS CATALOG.**

# SELECTION/DIMENSIONS



## HFO 500

PLUMMER BLOCK UNITS (split) with oil conveying ring lubrication



Description	Weight kg	Dimensions in mm																					
		d	d2	M	J	B	D	H	S	S1	V	U	E	C	B	A AF	A BF	A1	Z	X	Y	R	P
HFO 517	33	75	96	125	230	330	260	35	M20	5	40	24	60	110	182	172.5	180	165	G3/8"-19	45	37.5	12	14.5
HFO 518	42	80	100	135	245	360	290	45	M20	5	40	24	70	120	190	180.0	190	170	G3/8"-19	52	38	12	12
HFO 519	45	85	105	140	255	360	290	40	M20	5	40	24	80	120	210	192.0	200	184	G3/8"-19	52	42	12	13.5
HFO 520	55	90	110	145	270	400	320	50	M24	5	45	28	75	130	205	196.0	206	186	G1/2"-14	55	40	7	12
HFO 522	70	100	120	160	290	420	347	50	M24	5	45	28	75	145	216	216.0	229	203	G1/2"-14	60	40	12	15
HFO 524	95	110	135	170	315	420	347	55	M24	8	45	28	90	170	245	258.0	276	240	G1/2"-14	52	40	18	15
HFO 526	100	115	145	180	335	450	377	60	M24	9.8	45	28	100	180	260	258.0	270	246	G1/2"-14	52	45	19.5	14
HFO 528	125	125	160	190	355	500	415	65	M30	9.8	45	35	100	190	265	265.0	280	250	G3/4"-14	85	60	20	16
HFO 530	140	135	170	200	375	540	450	65	M30	9.8	50	35	115	190	265	265.0	280	250	G3/4"-14	90	54	22.5	22.5
HFO 532	165	140	178	215	405	560	470	65	M30	10	50	35	120	205	280	298.0	316	280	G3/4"-14	70	55	25	21.5
HFO 534	215	150	195	235	440	610	515	70	M30	9.8	55	35	130	230	320	330.0	350	310	G3/4"-14	90	57.5	26.5	22.5
HFO 536	235	160	205	245	455	650	545	75	M30	10	65	35	150	240	320	338.0	360	316	G3/4"-14	90	70	30	20
HFO 538	245	170	220	260	480	720	590	85	M36	12	70	42	150	250	340	350.0	370	330	G3/4"-14	100	80	20	27.5
HFO 540	320	180	227	275	510	730	600	85	M36	12	70	42	160	260	350	358.0	378	338	G3/4"-14	90	70	35	32.5
HFO 544	375	200	255	305	565	820	670	95	M36	12	80	42	180	280	370	384.5	404	365	G3/4"-14	97	95	30	35

Please consult International Bearing Engineering Catalog for HFO 200, 300 and 600 bearings.

FEATURES/BENEFITS PAGE	NOMENCLATURE PAGE		
---------------------------	----------------------	--	--

# SELECTION/DIMENSIONS



## HFO 500

IMPERIAL - ISAF

UNIFIED SAF

International Bearings

Sleeve Bearing

SLEEVOIL

Description	Complete housing unit in GG25		Housing Only	Seal		Spherical roller bearing		Adapters	
	Part No.		Part No.	Part No.	Part No.	Part No.	Description	Description	Part No.
	A F/L	B F/L	B (No Seals)	A & B	B F/L				
HFO 517	720940	720945	496150	713154	713153	422005	22217EK1.C3	H 317	046224
HFO 518	720950	720956	496151	713156	713155	422007	22218EK1.C3	H 318	046225
HFO 519	720960	720962	496188	713158	713157	422979	22219EK1.C3	H 319	719499
HFO 520	720965	720970	496154	713160	713159	422009	22220EK1.C3	H 320	046226
HFO 522	720973	720975	496157	713162	713161	422011	22222EK1.C3	H 322	046227
HFO 524	720978	720982	496159	713164	713163	422013	22224EK1.C3	H 3124	046228
HFO 526	720987	720993	496162	713166	713165	422015	22226EK1.C3	H 3126	046229
HFO 528	739229	721005	496165	713168	713167	422017	22228EK1.C3	H 3128	046230
HFO 530	721010	721014	496168	713170	713169	422019	22230EK1.C3	H 3130	046231
HFO 532	721018	721022	496171	713172	713171	422021	22232EK1.C3	H 3132	046232
HFO 534	721026	721030	496173	713175	713174	422023	22234EK1.C3	H 3134	046233
HFO 536	721034	721040	496176	713178	713176	422025	22236EK1.C3	H 3136	046234
HFO 538	739018	721044	496179	713182	713181	422027	22238MBK.C3	H 3138	046235
HFO 540	721046	721049	496182	713184	713183	422064	22240MBK.C3	H 3140	046236
HFO 544	721053	721057	496185	713186	713185	422029	22244MBK.C3	H 3144	046237
HFO 548			496187	-	-	703407	22248KMB.C3	H 3148	719480

Description	Complete housing unit in GGG40		Housing Only	Seal		Spherical roller bearing		Adapters	
	Part No.		Part No.	Part No.	Part No.	Part No.	Description	Description	Part No.
	A F/L	B F/L	B (No Seals)	A & B	B F/L				
HFO 518 GGG	720951	720957	496151	713156	713155	422007	22218EK1.C3	H 318	046225
HFO 520 GGG	720966	720971	496154	713160	713159	422009	22220EK1.C3	H 320	046226
HFO 524 GGG	720979	720983	496159	713164	713163	422013	22224EK1.C3	H 3124	046228
HFO 526 GGG	720988	720994	496162	713166	713165	422015	22226EK1.C3	H 3126	046229
HFO 528 GGG	721000	721006	496165	713168	713167	422017	22228EK1.C3	H 3128	046230
HFO 530 GGG	721011	721015	496168	713170	713169	422019	22230EK1.C3	H 3130	046231
HFO 532 GGG	721019	721023	496171	713172	713171	422021	22232EK1.C3	H 3132	046232
HFO 534 GGG	721027	721031	496173	713175	713174	422023	22234EK1.C3	H 3134	046233
HFO 536 GGG	721035	721041	496176	713178	713176	422025	22236EK1.C3	H 3136	046234
HFO 538 GGG	-	-	496179	713182	713181	422027	22238MBK.C3	H 3138	046235
HFO 540 GGG	-	721050	496182	713184	713183	422064	22240MBK.C3	H 3140	046236
HFO 544 GGG	721054	721058	496185	713186	713185	422029	22244MBK.C3	H 3144	046237

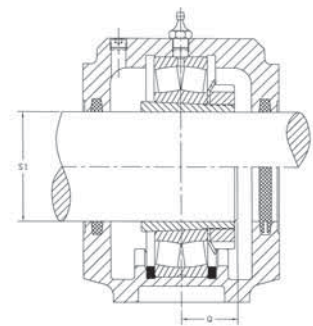
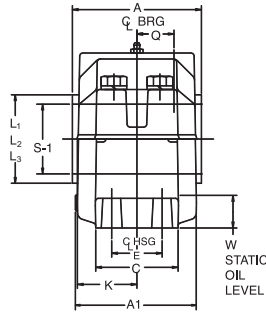
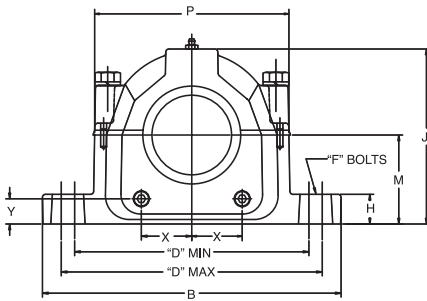
FEATURES/BENEFITS PAGE	NOMENCLATURE PAGE		
---------------------------	----------------------	--	--

# SELECTION/DIMENSIONS



## SNX 500

PLUMMER BLOCKS FOR BEARINGS 22200K, 23200K, 1200K, 2200K



Dimensions in mm																										
Description	kg	S-1 SHAFT SIZE	A <sub>1</sub>	B	C	D		F BOLT DIA	H	J	K	M	P	Q	W	X	Y	A (WITH SEALS)						L <sub>1</sub> VR	L <sub>2</sub> TS	L <sub>3</sub> TT
						MIN	MAX											LD	FELT	VR	TS	TT	EC			
SNX 509	4,3	40	94	210	60	159	178	M12	25	112	45	60	124	23	24,0	29	20	91	91	100	99	107	91	50	55	65
SNX 510	5,1	45	99	210	60	165	178	M12	23	113	48	60	130	24	29,0	31	17	95	95	105	103	111	95	55	63	70
SNX 511	7,1	50	104	244	70	187	210	M16	26	133	50	70	147	25	28,5	33	22	100	100	110	108	116	100	60	68	75
SNX 512	9,5	55	116	270	70	197	230	M16	29	139	56	70	156	27	32,0	38	20	112	112	121	119	127	112	65	75	82
SNX 513	9,7	60	113	279	80	206	241	M16	30	155	55	80	165	30	27,0	41	25	110	110	119	121	125	110	70	81	92
SNX 515	11,3	65	121	283	80	219	245	M16	29	161	59	80	179	31	38,0	44	21	117	117	124	126	130	117	75	86	97
SNX 516	12,7	70	127	320	90	245	279	M20	33	178	62	95	202	34	34,5	49	31	123	123	136	134	143	123	82	94	102
SNX 517	15,7	75	132	320	90	251	279	M20	32	187	63	95	208	36	35,5	53	28	125	125	139	137	145	125	87	100	107
SNX 518	16,7	80	151	346	98	260	299	M20	35	195	72	100	220	38	47,0	57	28	144	144	157	155	163	144	92	105	112
SNX 519	27,0	85	156	360	98	276	314	M20	35	214	75	112	229	41	39,5	60	35	150	150	162	161	169	150	97	110	124
SNX 520	27,8	90	164	390	110	295	333	M24	40	220	80	112	248	43	45,0	67	30	160	160	171	169	177	160	102	127	124
SNX 522	35,8	100	174	419	120	324	364	M24	45	238	84	125	269	48	53,5	73	34	168	168	177	175	183	168	112	139	144
SNX 524	41,1	110	191	419	120	337	368	M24	45	267	93	140	286	51	57,0	81	42	185	185	199	195	202	185	124	149	154
SNX 526	55,2	115	197	445	130	374	387	M24	50	290	95	150	315	55	49,0	84	39	191	191	204	200	211	191	129	158	154
SNX 528	69,0	125	210	500	150	400	420	M30	50	298	102	150	337	58	51,5	92	35	203	203	215	211	222	203	139	160	164
SNX 530	77,3	135	226	530	160	443	457	M30	60	317	110	160	364	63	53,0	91	34	220	220	233	230	239	220	149	180	176
SNX 532	99,9	140	241	550	160	457	483	M30	60	338	118	170	379	68	53,2	102	34	235	235	247	243	253	235	154	188	186

Please consult International Bearing Engineering Catalog for SNX 30, 200, 300 and 600, and for SNF and SDX series bearings

FEATURES/BENEFITS PAGE	NOMENCLATURE PAGE		
---------------------------	----------------------	--	--

# SELECTION/DIMENSIONS



## SNX 500 for Bearings 22200K and 23200K

IMPERIAL - ISAF

UNIFIED SAE

International Bearings

Sleeve Bearing

SLEEVOIL

Description	Spherical roller bearing		Fixing rings		Adapters		Spherical roller bearing		Fixing rings		Adapters		Sight Glass			
	Description	Part No.	Description	Quantity	Part No.	Description	Part No.	Description	Part No.	Description	Quantity	Part No.	Description	Part No.		
SNX 509	22209EK1.C3	422134	FE 85x3.5	2	747105	H 309	046331							Oil Kit # 1	740452	
SNX 510	22210EK1.C3	422137	FE 90x9	2	747108	H 310	046332							Oil Kit # 1	740452	
SNX 511	22211EK1.C3	422123	FE 100x9.5	2	747111	H 311	046219							Oil Kit # 1	740452	
SNX 512	22212EK1.C3	422978	FE 110x10	2	747115	H 312	046333							Oil Kit # 1	740452	
SNX 513	22213EK1.C3	422124	FE 120x10	2	747118	H 313	046221							Oil Kit # 1	740452	
SNX 515	22215EK1.C3	422001	FE 130x12.5	2	747121	H 315	046222							Oil Kit # 1	740452	
SNX 516	22216EK1.C3	422003	FE 140x12.5	2	747123	H 316	046223							Oil Kit # 1	740452	
SNX 517	22217EK1.C3	422005	FE 150x12.5	2	747125	H 317	046224							Oil Kit # 2	740453	
SNX 518	22218EK1.C3	422007	FE 160x12.5	2	747128	H 318	046225	23218K.C3	739329	FE 160x6.25	2	747189	H 2318	719400	Oil Kit # 2	740453
SNX 519	22219EK1.C3	422979	FE 170x12.5	2	747130	H 319	719499					H 2319	046719	Oil Kit # 2	740453	
SNX 520	22220EK1.C3	422009	FE 180x12	2	747132	H 320	046226	23220K.C3	703941	FE 180X4.85	2	747190	H 2320	046720	Oil Kit # 2	740453
SNX 522	22222EK1.C3	422011	FE 200x13.5	2	747137	H 322	046227	23222K.C3	703951	FE 200x5.1	2	747191	H 2322	046721	Oil Kit # 2	740453
SNX 524	22224EK1.C3	422013	FE 215x14	2	747141	H 3124	046228	23224EASK.M.C3	703967	FE 215x5	2	712225	H 2324	046722	Oil Kit # 2	740453
SNX 526	22226EK1.C3	422015	FE 230x13	2	747143	H 3126	046229	23226K.C3	703971	FE 230x5	2	747192	H 2326	046723	Oil Kit # 2	740453
SNX 528	22228EK1.C3	422017	FE 250x15	2	747146	H 3128	046230	23228K.C3	703982	FE 250x5	2	747193	H 2328	719406	Oil Kit # 2	740453
SNX 530	22230EK1.C3	422019	FE 270x16.5	2	747149	H 3130	046231	23230K.C3	703989	FE 270x5	2	747194	H 2330	053201	Oil Kit # 2	740453
SNX 532	22232EK1.C3	422021	FE 290x17	2	747152	H 3132	046232	23232K.C3	703996	FE 290x5	2	747195	H 2332	719408	Oil Kit # 2	740453

Description	Housing GG		SK LD seal		SK FS seal		VR seal		Labyrinth seal		Triple-Tect seal		End cover	
	Description	Part No.	Description	Part No.	Description	Part No.	Description	Part No.	Description	Part No.	Description	Part No.	Description	Part No.
SNX 509	SNX 209/509	747025	SK 509 LD 40	496446	SK 509 FS 40	496464	VS0040	738141	TS 209/509	747328	TT 209/509	747384	DK 55	709137
SNX 510	SNX 210/510/308/608	747026	SK 510 LD 45	496447	SK 510 FS 45	496465	VS0045	738142	TS 210/510	747329	TT 210/510	747385	DK 60	709140
SNX 511	SNX 211/511/309/609	747027	SK 511 LD 50	496448	SK 511 FS 50	496466	VS0050	738143	TS 211/511	747330	TT 211/511	747386	DK 65	709143
SNX 512	SNX 212/512/310/610	747028	SK 512 LD 55	496449	SK 512 FS 55	496467	VS0055	738145	TS 212/512	747331	TT 212/512	747387	DK 70	709146
SNX 513	SNX 213/513/311/611	747029	SK 513 LD 60	496450	SK 513 FS 60	496468	VS0060	738146	TS 213/513	747332	TT 213/513	747388	DK 75	709152
SNX 515	SNX 215/515/312/612	747030	SK 515 LD 65	496451	SK 515 FS 65	496469	VS0065	738147	TS 215/515	747333	TT 215/515	747389	DK 85	709162
SNX 516	SNX 216/516/313/613	747031	SK 516 LD 70	496452	SK 516 FS 70	496470	VS0070	738148	TS 216/516	747334	TT 216/516	747390	DK 90	709166
SNX 517	SNX 217/517/314	747032	SK 517 LD 75	496453	SK 517 FS 75	496471	VS0075	738149	TS 217/517	747335	TT 217/517	747391	DK 90	709166
SNX 518	SNX 218/518/315/615	747033	SK 518 LD 80	496454	SK 518 FS 80	496472	VS0085	738151	TS 218/518	747336	TT 218/518	747392	DK 100	708959
SNX 519	SNX 219/519/316/616	747034	SK 519 LD 85	496455	SK 519 FS 85	496473	VS0090	738152	TS 219/519	747337	TT 219/519	747393	DK 110	708966
SNX 520	SNX 220/520/317/617	747035	SK 520 LD 90	496456	SK 520 FS 90	496474	VS0095	738154	TS 220/520	747338	TT 220/520	747394	DK 115	708970
SNX 522	SNX 222/522/319/619	747036	SK 522 LD 100	496457	SK 522 FS 100	496475	VS0100	738155	TS 222/522	747339	TT 222/522	747395	DK 125	708976
SNX 524	SNX 224/524/320/620	747037	SK 524 LD 110	496458	SK 524 FS 110	496476	VS0110	738157	TS 224/524	747340	TT 224/524	747396	DK 135	708983
SNX 526	SNX 226/526	747038	SK 526 LD 115	496459	SK 526 FS 115	496477	VS0115	738158	TS 226/526	747341	TT 226/526	747397	DK 145	740381
SNX 528	SNX 228/528	747039	SK 528 LD 125	496460	SK 528 FS 125	496478	VS0125	738160	TS 228/528	747342	TT 228/528	747398	DK 155	740382
SNX 530	SNX 230/530	747040	SK 530 LD 135	496461	SK 530 FS 135	496479	VS0135	738162	TS 230/530	747343	TT 230/530	747399	DK 165	740383
SNX 532	SNX 232/532	747041	SK 532 LD 140	496462	SK 532 FS 140	496480	VS0140	738163	TS 232/532	747344	TT 232/532	747400	DK 175	740384

FEATURES/BENEFITS PAGE	NOMENCLATURE PAGE		
------------------------	-------------------	--	--

# SELECTION/DIMENSIONS



## SNX 500 for Bearings 1200K and 2200K

Description	Self-aligning ball bearings		Fixing rings			Adapters		Self-aligning ball bearings		Fixing rings			Adapters	
	Description	Part No.	Description	Quantity	Part No.	Description	Part No.	Description	Part No.	Description	Quantity	Part No.	Description	Part No.
SNX 509	1209K.C3	052637	FE 85x5.5	2	747177	H 209	719372	2209K.C3	739150	85x3.5	2	747105	H 309	046331
SNX 510	1210K.C3	052638	FE 90x10.5	2	747178	H 210	719373	2210K.C3	702830	90x9	2	747108	H 310	046332
SNX 511	1211K.C3	052639	FE 100x12	2	747179	H 211	719374	2211K.C3	702844	100x9.5	2	747111	H 311	046219
SNX 512	1212K.C3	739145	FE 110x13	2	747180	H 212	719375	2212K.C3	702857	110x10	2	747115	H 312	046333
SNX 513	1213K.C3	052640	FE 120x14	2	747181	H 213	719376	2213K.C3	702867	120x10	2	747118	H 313	046221
SNX 515	1215K.C3	052641	FE 130x15.5	2	747182	H 215	719378	2215K.C3	739153	130x12.5	2	747121	H 315	046222
SNX 516	1216K.C3	052642	FE 140x16	2	747183	H 216	719379	2216K.C3	702883	140x12.5	2	747123	H 316	046223
SNX 517	1217K.C3	052643	FE 150x16.5	2	747184	H 217	719380	2217K.C3	702893	150x12.5	2	747125	H 317	046224
SNX 518	1218K.C3	052570	FE 160x17.5	2	747185	H 218	719381	2218K.C3	739154	160x12.5	2	747128	H 318	046225
SNX 519	1219K.C3	701659	FE 170x18	2	747186	H 219	719382	2219K.M.C3	702904	170x12.5	2	747130	H 319	719499
SNX 520	1220K.C3	052644	FE 180x18	2	747187	H 220	719383	2220K.M.C3	702907	180x12	2	747132	H 320	046226
SNX 522	1222K.C3	051841	FE 200x21	2	747188	H 222	719385	2222K.C3	421399	200x13.5	2	747137	H 322	046227

IMPERIAL - ISAF

UNIFIED SAF

International Bearings

Sleeve Bearing

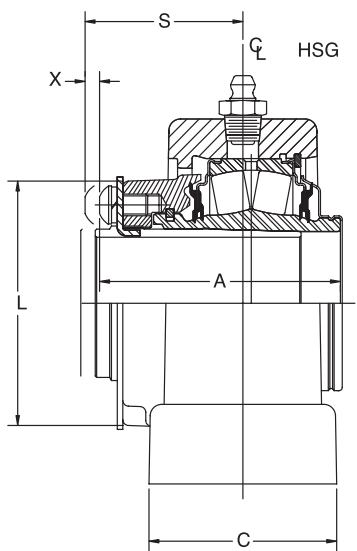
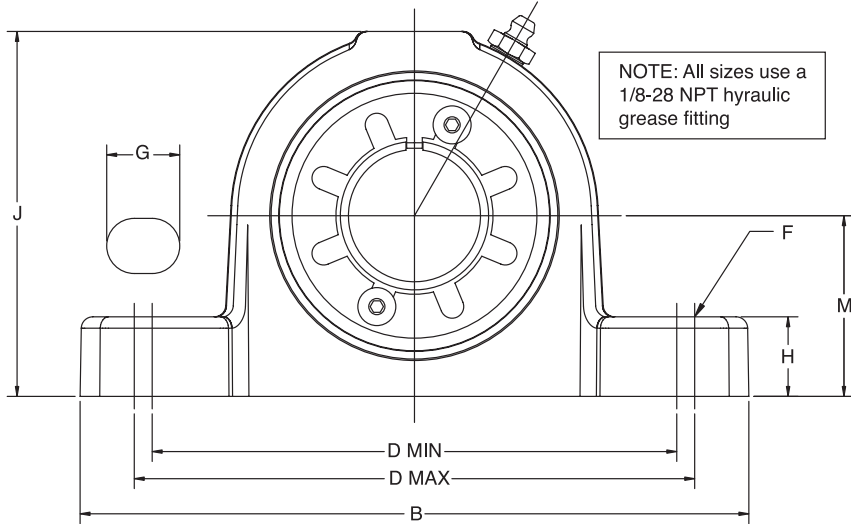
SLEEVOIL

FEATURES/BENEFITS PAGE	NOMENCLATURE PAGE		
------------------------	-------------------	--	--

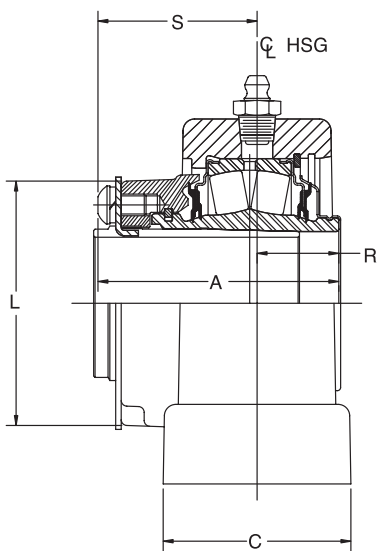
# SELECTION/DIMENSIONS



## IMPERIAL - ISN Metric Plummer Block 30 THROUGH 125mm, 2-BOLT



EXPANSION



NON-EXPANSION

FEATURES/BENEFITS PAGE	NOMENCLATURE PAGE		
---------------------------	----------------------	--	--

IMPERIAL - ISAF

UNIFIED SAF

International Bearings

Sleeve Bearing

SLEEVOIL



# SELECTION/DIMENSIONS



## IMPERIAL - ISN Metric Plummer Block 30 THROUGH 125mm, 2-BOLT

Bearing	Shaft Size mm	TRIDENT Seal				Labyrinth Seal			
		NON-EXPANSION		EXPANSION		NON-EXPANSION		EXPANSION	
		Part Number	Description	Part Number	Description	Part Number	Description	Part Number	Description
22208	30	071000	ISN 507-030MFR	071017	ISN 507-030MLR	071034	ISN 507-030MFS	071051	ISN 507-030MLS
	35	071001	ISN 508-035MFR	071018	ISN 508-035MLR	071035	ISN 508-035MFS	071052	ISN 508-035MLS
22209	40	071002	ISN 509-040MFR	071019	ISN 509-040MLR	071036	ISN 509-040MFS	071053	ISN 509-040MLS
	22210	45	071003	ISN 510-045MFR	071020	ISN 510-045MLR	071037	ISN 510-045MFS	071054
50		071004	ISN 511-050MFR	071021	ISN 511-050MLR	071038	ISN 511-050MFS	071055	ISN 511-050MLS
22211	55	071005	ISN 512-055MFR	071022	ISN 512-055MLR	071039	ISN 512-055MFS	071056	ISN 512-055MLS
22213	60	071006	ISN 513-060MFR	071023	ISN 513-060MLR	071040	ISN 513-060MFS	071057	ISN 513-060MLS
22215	65	071007	ISN 515-065MFR	071024	ISN 515-065MLR	071041	ISN 515-065MFS	071058	ISN 515-065MLS
	70	071008	ISN 516-070MFR	071025	ISN 516-070MLR	071042	ISN 516-070MFS	071059	ISN 516-070MLS
	75	071009	ISN 517-075MFR	071026	ISN 517-075MLR	071043	ISN 517-075MFS	071060	ISN 517-075MLS
22218	80	071010	ISN 518-080MFR	071027	ISN 518-080MLR	071044	ISN 518-080MFS	071061	ISN 518-080MLS
	85	071011	ISN 519-085MFR	071028	ISN 519-085MLR	071045	ISN 519-085MFS	071062	ISN 519-085MLS
22220	90	071012	ISN 520-090MFR	071029	ISN 520-090MLR	071046	ISN 520-090MFS	071063	ISN 520-090MLS
	100	071013	ISN 522-100MFR	071030	ISN 522-100MLR	071047	ISN 522-100MFS	071064	ISN 522-100MLS
22222	110	071014	ISN 524-110-MFR	071031	ISN 524-110MLR	071048	ISN 524-110MFS	071065	ISN 524-110MLS
22226	115	071015	ISN 526-115MFR	071032	ISN 526-115MLR	071049	ISN 526-115MFS	071066	ISN 526-115MLS
	125	071016	ISN 528-125MFR	071033	ISN 528-125MLR	071050	ISN 528-125MFS	071067	ISN 528-125MLS

F = Non-Expansion, L = Expansion, R = Trident Rubbing Seal.; S = Labyrinth Seal

Shaft Size mm	A	B	C	D		F BOLT DIA	G	H	J	L	M	R	S	X TOTAL EXPANSION
				min	max									
30	66.7	184.9	52.0	145.0	155.0	M12	20	22	100.9	67.6	50	22.6	44.1	4
35	66.7	205.9	60.2	150.0	174.6	M12	27.3	25	110.8	67.6	60	22.6	44.1	4
40	71.4	206.3	60.2	155.0	174.6	M12	24.8	25	114	74.7	60	20.6	50.8	6.5
45	72.6	204.9	60.2	160.0	175.0	M12	22.5	25	113.8	81	60	21.1	51.4	6.5
50	72.6	253.9	70.2	190.0	215.9	M16	31	28	124.5	81	70	21.1	51.4	6.5
55	77.0	253.9	69.9	190.0	216.0	M16	31	30	130.3	87.1	70	23.4	54.2	6.5
60	86.9	274.9	80.2	205.0	235.0	M16	33	30	152.4	96.5	80	27.1	59.7	7
65	88.9	280.1	80.1	215.0	236.0	M16	28.5	30	156	106.7	80	26.9	61.7	7
70	88.9	315.9	90.2	244.5	268.3	M20	34.1	32	176	106.7	95	26.9	61.7	7
75														
80	106.0	345.3	100.3	270.0	293.7	M20	34	35	196.7	124.7	100	34.5	71.4	7
85	106.0	345.0	100.2	264.2	296.1	M20	37.9	35	205.2	124.7	112	34.5	71.4	7
90	120.0	379.8	110.2	292.8	327.0	M24	43.1	40	218.3	138.7	112	37.2	82.3	8
100	120.0	410.0	120.0	314.4	356.0	M24	46.8	45	239	138.7	125	37.2	82.3	8
110	133.0	410.0	120.0	314.5	356.0	M24	46.8	45	260.7	161.3	140	44.4	88.4	10
115	152.0	444.8	130.0	359.6	387.0	M24	41.7	50	292.8	191.8	150	48.6	103.2	10
125	152.0	500.0	150.2	400.0	427.0	M30	48.5	50	290.4	191.8	150	48.6	103.2	10

For information on flange and flange pilot bearings, inserts and wide slot take-ups please consult the DODGE International Bearing Engineering Catalog.

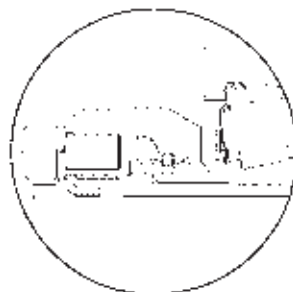
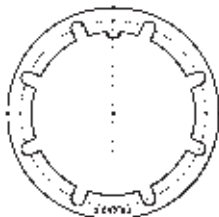
FEATURES/BENEFITS PAGE	NOMENCLATURE PAGE		
------------------------	-------------------	--	--

# SELECTION/DIMENSIONS



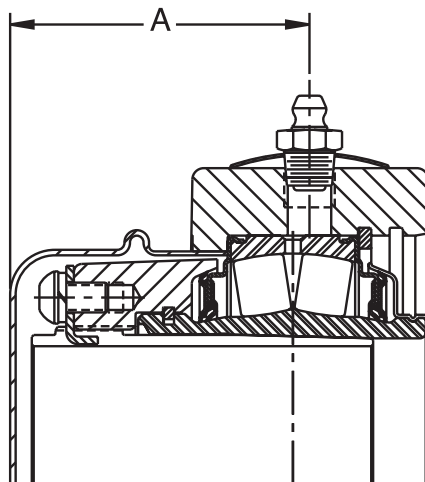
## ISN LOCKPLATE KITS

Size	Part No.
30	048937
35	048937
40	048938
45	018939
50	048939
55	048940
60	048929
65	048930
70	048930
75	048930
80	048931
85	048931
90	048932
100	048932
110	048933
115	048934
125	048934



## ISN END COVER

Housing	Part No.	Description	Dimensions in mm
507	069960	IPEC08	49.5
508	069960	IPEC08	49.5
509	069961	IPEC09	55.0
510	069962	IPEC10	58.3
511	069962	IPEC10	58.3
512	069963	IPEC11	61.7
513	069964	IPEC13	66.3
515	069965	IPEC15	70.0
516	069965	IPEC15	70.0
517	069965	IPEC15	70.0
518	069966	S2IPEC18	78.3
519	069966	S2IPEC18	78.3
520	069967	S2IPEC20	91.2
522	069967	S2IPEC20	91.2
524	069968	S2IPEC22	97.7
526	069969	S2IPEC26	111.4
528	069969	S2IPEC26	111.4



PLUMMER BLOCK

FEATURES/BENEFITS  
PAGE

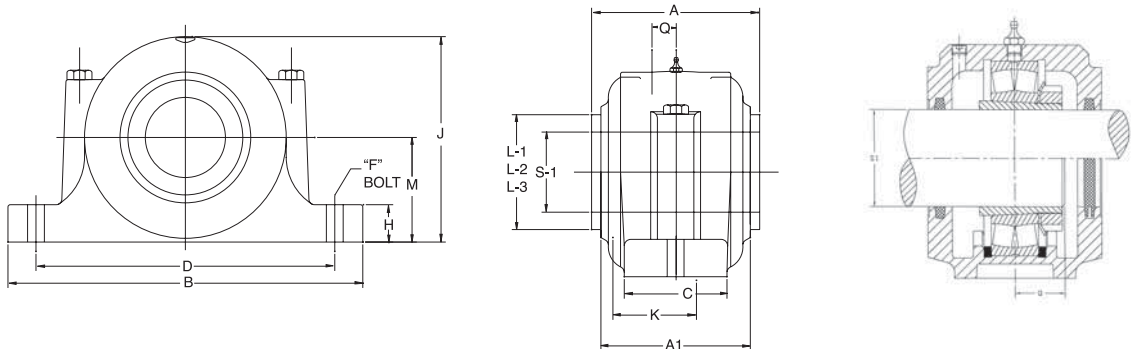
NOMENCLATURE  
PAGE

# SELECTION/DIMENSIONS



## SSND 500

PLUMMER BLOCKS FOR BEARINGS 22200K, 23200K, 1200K, 2200K



Dimensions in mm																					
Description	kg	S-1 SHAFT SIZE	A1	B	C	D	F BOLT DIA	H	J	K	M	Q ★	A (WITH SEALS)						L-1 VR	L-3 TS	L-2 TT
													FELT	LD	END COVER	VR	TS SEAL	TT SEAL			
SSND 509	4.2	40	85	205	60	170	M12	25	110	42.5	60	22.5	85	85	85	97.2	95	101.2	50.2	63	65.2
SSND 510	4.5	45	90	205	60	170	M12	25	115	45	60	23.5	90	90	90	102.2	100	106.2	55.2	68	70.2
SSND 511	5.6	50	95	255	70	210	M16	28	130	47.5	70	24.5	93	95	93	103.2	107	107.2	60.2	75	75.2
SSND 512	6.4	55	105	255	70	210	M16	30	135	52.5	70	27	105	105	105	116.2	119	123.8	67.2	81	82.2
SSND 513	8.1	60	111	275	80	230	M16	30	150	55.5	80	29.5	111	111	111	121.2	125	128.8	72.2	86	87.2
SSND 515	8.7	65	115	280	80	230	M16	30	155	57.5	80	30.5	115	115	115	126.2	129	133.8	77.2	94	97.2
SSND 516	11.1	70	120	315	90	260	M20	32	175	60	95	33.5	120	120	120	134.8	134	138.8	82.2	100	102.2
SSND 517	12.1	75	125	320	90	260	M20	32	185	62.5	95	36	125	125	125	136.8	139	140.8	87.2	105	107.2
SSND 518	14.8	80	145	345	100	290	M20	35	195	72.5	100	38	145	145	145	160.8	159	164.8	92.2	110	112.2
SSND 520	19.3	90	160	380	110	320	M24	40	215	80	112	43	160	160	160	175.8	174	182.8	104.2	127	129.2
SSND 522	24.7	100	175	410	120	350	M24	45	240	87.5	125	47.5	175	175	175	189.8	189	196.8	114.2	139	139.2
SSND 524	28.0	110	185	410	120	350	M24	45	270	92.5	140	51	185	185	185	202.8	199	206.8	124.2	149	149.2
SSND 526	35.5	115	190	445	130	380	M24	50	290	95	150	55	190	190	190	205.8	204	209.8	129.2	158	159.2
SSND 528	45.0	125	205	500	150	420	M30	50	300	102.5	150	58	205	205	205	217.8	220	221.8	140.7	168	170.7
SSND 530	53.5	135	220	530	160	450	M30	60	325	110	160	62.5	220	220	220	232.8	235	239.9	150.7	180	180.7
SSND 532	62.0	140	235	550	160	470	M30	60	345	117.5	170	68	235	235	235	246.8	250	253.9	155.7	188	190.7

Please consult International Bearing Engineering Catalog for SSND 200, 300 and 600 bearings.

FEATURES/BENEFITS PAGE	NOMENCLATURE PAGE		
---------------------------	----------------------	--	--

# SELECTION/DIMENSIONS



## SSND 500

### PLUMMER BLOCKS FOR BEARINGS 22200K AND 23200K

Description	Spherical Roller Bearing		Fixing rings			Adapters	
	Description	Part No.	Description	Quantity	Part No.	Description	Part No.
SSND 509	22209EK1.C3	422134	FE 85x3.5	2	747105	H 309	046331
SSND 510	22210EK1.C3	422137	FE 90x9	2	747108	H 310	046332
SSND 511	22211EK1.C3	422123	FE 100x9.5	2	747111	H 311	046219
SSND 512	22212EK1.C3	422978	FE 110x10	2	747115	H 312	046333
SSND 513	22213EK1.C3	422124	FE 120x10	2	747118	H 313	046221
SSND 515	22215EK1.C3	422001	FE 130x12.5	2	747121	H 315	046222
SSND 516	22216EK1.C3	422003	FE 140x12.5	2	747123	H 316	046223
SSND 517	22217EK1.C3	422005	FE 150x12.5	2	747125	H 317	046224
SSND 518	22218EK1.C3	422007	FE 160x12.5	2	747128	H 318	046225
SSND 520	22220EK1.C3	422009	FE 180x12	2	747132	H 320	046226
SSND 522	22222EK1.C3	422011	FE 200x13.5	2	747137	H 322	046227
SSND 524	22224EK1.C3	422013	FE 215x14	2	747141	H 3124	046228
SSND 526	22226EK1.C3	422015	FE 230x13	2	747143	H 3126	046229
SSND 528	22228EK1.C3	422017	FE 250x15	2	747146	H 3128	046230
SSND 530	22230EK1.C3	422019	FE 270x16.5	2	747149	H 3130	046231
SSND 532	22232EK1.C3	422021	FE 290x17	2	747152	H 3132	046232

Description	Spherical roller bearing		Fixing rings			Adapters	
	Description	Part No.	Description	Quantity	Part No.	Description	Part No.
SSND 509							
SSND 510							
SSND 511							
SSND 512							
SSND 513							
SSND 515							
SSND 516							
SSND 517							
SSND 518	23218K.C3	739329	FE 160x6.25	2	747189	H 2318	719400
SSND 520	23220K.C3	703941	FE 180x4.85	2	747190	H 2320	046720
SSND 522	23222K.C3	703951	FE 200x5.1	2	747191	H 2322	046721
SSND 524	23224EASK.M.C3	703967	FE 215x5	2	712225	H 2324	046722
SSND 526	23226K.C3	703971	FE 230x5	2	747192	H 2326	046723
SSND 528	23228K.C3	703982	FE 250x5	2	747193	H 2328	719406
SSND 530	23230K.C3	703989	FE 270x5	2	747194	H 2330	053201
SSND 532	23232K.C3	703996	FE 290x5	2	747195	H 2332	719408

FEATURES/BENEFITS  
PAGE

NOMENCLATURE  
PAGE

# SELECTION/DIMENSIONS



## SSND 500 PLUMMER BLOCKS FOR BEARINGS 1200K AND 2200K

Description	Self-aligning ball bearings		Fixing rings			Adapters		Self-aligning ball bearings		Fixing rings			Adapters	
	Description	Part No.	Description	Quantity	Part No.	Description	Part No.	Description	Part No.	Description	Quantity	Part No.	Description	Part No.
SSND 509	1209K.C3	052637	5.5 x 85	2	747177	H 209	719372	2209K.C3	739150	3.5 x 85	2	747105	H 309	046331
SSND 510	1210K.C3	052638	10.5 x 90	2	747178	H 210	719373	2210K.C3	702830	9 x 90	2	747108	H 310	046332
SSND 511	1211K.C3	052639	12 x 100	2	747179	H 211	719374	2211K.C3	702844	10 x 100	2	712071	H 311	046219
SSND 512	1212K.C3	739145	13 x 110	2	747180	H 212	719375	2212K.C3	702857	10 x 110	2	747115	H 312	046333
SSND 513	1213K.C3	052640	14 x 120	2	747181	H 213	719376	2213K.C3	702867	10 x 120	2	747118	H 313	046221
SSND 515	1215K.C3	052641	15.5 x 130	2	747182	H 215	719378	2215K.C3	739153	12.5 x 130	2	747121	H 315	046222
SSND 516	1216K.C3	052642	16 x 140	2	747183	H 216	719379	2216K.C3	702883	12.5 x 140	2	747123	H 316	046223
SSND 517	1217K.C3	052643	16.5 x 150	2	747184	H 217	719380	2217K.C3	702893	12.5 x 150	2	747125	H 317	046224
SSND 518	1218K.C3	052570	17.5 x 160	2	747185	H 218	719381	2218K.C3	739154	12.5 x 160	2	747128	H 318	046225
SSND 520	1220K.C3	052644	18 x 180	2	747187	H 220	719383	2220K.M.C3	702907	12 x 180	2	747132	H 320	046226
SSND 522	1222K.C3	051841	21 x 200	2	747188	H 222	719385	2222K.C3	421399	13.5 x 200	2	747137	H 322	046227

## SSND 500 - SEALS

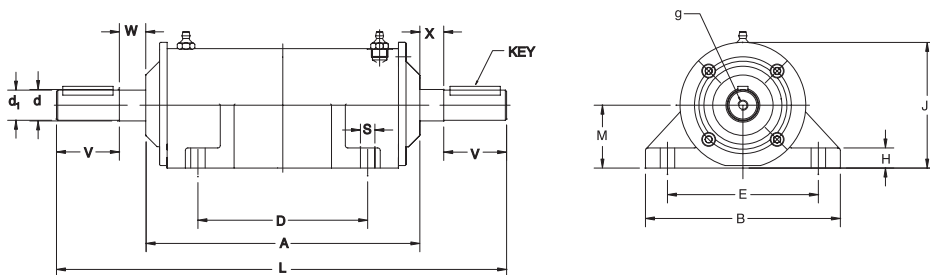
Description	Housing		SK LD seal		SK FS seal		VR seal		Labyrinth seal		Triple-Tect seal		End cover	
	Description	Part No.	Description	Part No.	Description	Part No.	Description	Part No.	Description	Part No.	Description	Part No.	Description	Part No.
SSND 509	SSND 209/509	747051	SK 509 LD 40	496446	SK 509 FS 40	496464	VS0040	738141	TS 209/509	747328	TT 209/509	747384	DK 55	709137
SSND 510	SSND 210/510/308/608	747052	SK 510 LD 45	496447	SK 510 FS 45	496465	VS0045	738142	TS 210/510	747329	TT 210/510	747385	DK 60	709140
SSND 511	SSND 211/511/309/609	747053	SK 511 LD 50	496448	SK 511 FS 50	496466	VS0050	738143	TS 211/511	747330	TT 211/511	747386	DK 65	709143
SSND 512	SSND 212/512/310/610	747054	SK 512 LD 55	496449	SK 512 FS 55	496467	VS0055	738145	TS 212/512	747331	TT 212/512	747387	DK 70	709146
SSND 513	SSND 213/513/311/611	747055	SK 513 LD 60	496450	SK 513 FS 60	496468	VS0060	738146	TS 213/513	747332	TT 213/513	747388	DK 75	709152
SSND 515	SSND 215/515/312/612	747056	SK 515 LD 65	496451	SK 515 FS 65	496469	VS0065	738147	TS 215/515	747333	TT 215/515	747389	DK 85	709162
SSND 516	SSND 216/516/313/613	747057	SK 516 LD 70	496452	SK 516 FS 70	496470	VS0070	738148	TS 216/516	747334	TT 216/516	747390	DK 90	709166
SSND 517	SSND 217/517/314	747058	SK 517 LD 75	496453	SK 517 FS 75	496471	VS0075	738149	TS 217/517	747335	TT 217/517	747391	DK 90	709166
SSND 518	SSND 218/518/315/615	747059	SK 518 LD 80	496454	SK 518 FS 80	496472	VS0085	738151	TS 218/518	747336	TT 218/518	747392	DK 100	708959
SSND 520	SSND 220/520/317/617	747060	SK 520 LD 90	496456	SK 520 FS 90	496474	VS0095	738154	TS 220/520	747338	TT 220/520	747394	DK 115	708970
SSND 522	SSND 222/522/319/619	747061	SK 522 LD 100	496457	SK 522 FS 100	496475	VS0100	738155	TS 222/522	747339	TT 222/522	747395	DK 125	708976
SSND 524	SSND 224/524/320/620	747062	SK 524 LD 110	496458	SK 524 FS 110	496476	VS0110	738157	TS 224/524	747340	TT 224/524	747396	DK 135	708983
SSND 526	SSND 226/526	747063	SK 526 LD 115	496459	SK 526 FS 115	496477	VS0115	738158	TS 226/526	747341	TT 226/526	747397	DK 145	740381
SSND 528	SSND 228/528	747064	SK 528 LD 125	496460	SK 528 FS 125	496478	VS0125	738160	TS 228/528	747342	TT 228/528	747398	DK 155	740382
SSND 530	SSND 230/530	747065	SK 530 LD 135	496461	SK 530 FS 135	496479	VS0135	738162	TS 230/530	747343	TT 230/530	747399	DK 165	740383
SSND 532	SSND 232/532	747066	SK 532 LD 140	496462	SK 532 FS 140	496480	VS0140	738163	TS 232/532	747344	TT 232/532	747400	DK 175	740384

FEATURES/BENEFITS PAGE	NOMENCLATURE PAGE		
------------------------	-------------------	--	--

# SELECTION/DIMENSIONS



## BL-W KPL and BL-W



Housing complete with bearings and shaft			Housing Only			Shaft Dimensions in mm														
Description	Part No.	kg	Description	Part No.	kg	d	d <sub>1</sub>	A	B	D	E	H	J	L	M	V	W	X	g	S
BL-W 25 KPL E	707015	7.0	BL-W 25	707014	6.5	25	24	218	155	135	120	18	95	358	50	50	21	19	M 8	11.5
BL-W 30 KPL E	707025	8.7	BL-W 30	707020	7.8	30	28	300	170	210	130	18	100	470	50	50	20	M 10	15	
BL-W 35 KPL E	707057	10.4	BL-W 35	707056	9.2	35	32	330	190	240	150	20	120	530	60	60	55	25	M 12	15
BL-W 40 KPL E	707069	12.4	BL-W 40	707063	10.7	40	38	330	190	240	150	20	120	530	60	60	55	25	M 12	15
BL-W 45 KPL E	707111	16.3	BL-W 45	707107	14.0	45	42	365	190	263	150	23	140	575	70	65	55	26	M 16	15
BL-W 50 KPL E	707134	15.9	BL-W 50	707125	13.0	50	48	365	190	263	150	23	140	585	70	70	55	25	M 16	15
BL-W 55 KPL E	707191	25.7	BL-W 55	707187	22.0	55	50	408	210	295	170	25	160	645	80	80	53	23	M 16	20
BL-W 60 KPL E	707213	25.8	BL-W 60	707201	21.2	60	55	408	210	295	170	25	160	645	80	80	55	25	M 20	20
BL-W 70 KPL E	707271	38.0	BL-W 70	707261	31.0	70	65	450	270	330	210	28	190	755	95	110	58	28	M 20	24
BL-W 75 KPL E	707291	40.7	BL-W 75	707287	32.5	75	70	450	270	330	210	28	190	755	95	110	60	25	M 20	24
BL-W 80 KPL E	707328	60.4	BL-W 80	707319	50.0	80	75	486	290	350	230	30	217	805	112	110	70	25	M 20	24
BL-W 85 KPL E	707347	85.0	BL-W 85	726962	53.5	85	80	590	350	440	290	30	225	935	112	120	80	25	M 20	24
BL-W 90 KPL E	707353	90.0	BL-W 90	706967	85.0	90	85	590	335	450	280	35	240	935	120	120	80	25	M 20	24
BL-W 95 KPL E	707368	95.0	BL-W 95	707363	60.3	95	90	536	340	400	280	35	245	935	125	140	87	35	M 24	24
BL-W 100 KPL E	706998	110.0	BL-W 100	706974	95.0	100	95	590	400	450	335	40	290	1050	145	140	77	104	M 24	24
BL-W 110 KPL E	707006	120.0	BL-W 110	706976	86.0	110	100	590	400	450	335	40	290	1050	145	160	78	82	M 24	24

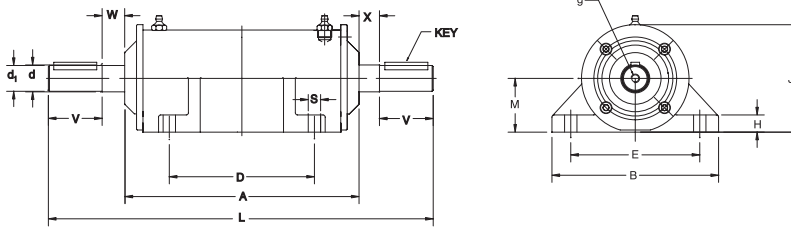
Housing complete with bearings and shaft			Housing Only			Bearings	Key	Max. RPM (min-1)
Description	Part No.	kg	Description	Part No.	kg			
BL-W 25 KPL E	707015	7.0	BL-W 25	707014	6.5	2x 6305 C3	8 x 7 x 40	11000
BL-W 30 KPL E	707025	8.7	BL-W 30	707020	7.8	2x 6306 C3	8 x 7 x 40	9500
BL-W 35 KPL E	707057	10.4	BL-W 35	707056	9.2	2x 6307 C3	10 x 8 x 50	8500
BL-W 40 KPL E	707069	12.4	BL-W 40	707063	10.7	2x 6308 C3	10 x 8 x 50	7500
BL-W 45 KPL E	707111	16.3	BL-W 45	707107	14.0	2x 6309 C3	12 x 8 x 56	6700
BL-W 50 KPL E	707134	15.9	BL-W 50	707125	13.0	2x 6310 C3	14 x 9 x 56	6000
BL-W 55 KPL E	707191	25.7	BL-W 55	707187	22.0	2x 6311 C3	14 x 9 x 63	5300
BL-W 60 KPL E	707213	25.8	BL-W 60	707201	21.2	2x 6312 C3	16 x 10 x 63	5000
BL-W 70 KPL E	707271	38.0	BL-W 70	707261	31.0	2x 6314 C3	18 x 11 x 90	4300
BL-W 75 KPL E	707291	40.7	BL-W 75	707287	32.5	2x 6315 C3	20 x 12 x 90	4000
BL-W 80 KPL E	707328	60.4	BL-W 80	707319	50.0	2x 6316 C3	20 x 12 x 90	3800
BL-W 85 KPL E	707347	85.0	BL-W 85	726962	53.5	2x 6317 C3	22 x 14 x 100	3400
BL-W 90 KPL E	707353	90.0	BL-W 90	706967	85.0	2x 6318 C3	22 x 14 x 100	3400
BL-W 95 KPL E	707368	95.0	BL-W 95	707363	60.3	2x 6319 C3	25 x 14 x 100	3200
BL-W 100 KPL E	706998	110.0	BL-W 100	706974	95.0	2x 6320 C3	25 x 14 x 125	3000
BL-W 110 KPL E	707006	120.0	BL-W 110	706976	86.0	2x 6322 C3	28 x 16 x 160	2600

FEATURES/BENEFITS PAGE	NOMENCLATURE PAGE		
------------------------	-------------------	--	--

# SELECTION/DIMENSIONS



## BLO-A KPL and BLO-A TWO-BEARING HOUSINGS



With bearings and shaft		Housing Only		kg	Dimensions in mm																
Description	Part No.	Description	Part No.		d	d <sub>2</sub>	d <sub>3</sub>	d <sub>4</sub>	dg	A	B	C	I <sub>1</sub>	H	H <sub>1</sub>	I	E	E <sub>1</sub>	s	I <sub>2</sub>	I <sub>3</sub>
BLO 40 A KPL	744856	BLO 40 A	707400	23	40	50	42	37	M 40x1,5	290	295	40	250	80	165	380	230	235	M16	410	135
BLO 45 A KPL	744857	BLO 45 A	707402	24	45	55	47	40	M 45x1,5	290	295	40	250	80	165	380	230	235	M16	410	135
BLO 50 A KPL	744858	BLO 50 A	707405	27	50	60	52	45	M 50x1,5	320	348	45	300	95	192	432	260	285	M16	444	175
BLO 55 A KPL	744859	BLO 55 A	707410	30	55	65	57	50	M 55x2	320	348	45	300	95	192	432	260	285	M16	444	175
BLO 60 A KPL	744860	BLO 60 A	707415	55	60	70	62	55	M 60x2	370	390	50	340	110	222	480	300	320	M20	490	205
BLO 65 A KPL	744861	BLO 65 A	707419	56	65	75	67	60	M 65x2	370	390	50	340	110	222	480	300	320	M20	490	205
BLO 70 A KPL	744862	BLO 70 A	707422	72	70	80	72	65	M 70x2	400	450	55	400	120	245	556	330	370	M20	573	265
BLO 75 A KPL	744863	BLO 75 A	707428	70	75	85	77	70	M 75x2	400	450	55	400	120	245	556	330	370	M20	573	265
BLO 80 A KPL	744864	BLO 80 A	707431	105	80	90	82	75	M 80x2	460	520	60	460	135	272	645	380	430	M24	655	301
BLO 85 A KPL	744865	BLO 85 A	707434	120	85	95	87	80	M 85x2	160	520	60	460	135	272	645	380	430	M24	655	299
BLO 90 A KPL	744866	BLO 90 A	707439	140	90	105	92	85	M 90x2	560	585	70	520	150	317	736	445	490	M36	756	357
BLO 95 A KPL	744867	BLO 95 A	707453	145	95	110	97	90	M 95x2	560	585	70	520	150	317	736	445	490	M36	756	357
BLO 100 A KPL	744868	BLO 100 A	707376	145	100	115	102	95	M 100x2	560	585	70	520	150	317	736	445	490	M36	766	368
BLO 110 A KPL	744869	BLO 110 A	707381	150	110	125	112	105	M 110x2	560	585	70	520	150	317	736	445	490	M36	746	364
BLO 120 A KPL	744870	BLO 120 A	707385	220	120	140	122	115	M 120x2	600	955	75	900	160	330	1105	480	860	M36	1125	730
BLO 130 A KPL	744871	BLO 130 A	707389	340	130	150	132	125	M 130x2	690	830	90	750	200	397	1024	550	710	M42	1050	554
BLO 140 A KPL	744872	BLO 140 A	707391	350	140	160	142	135	M 140x2	690	830	90	750	200	397	1024	550	710	M42	1050	554

With bearings and shaft		Housing Only		Dimensions in mm							Oil Quantity	Expansion	Non-expans.	Locknut	Lock-washer	Max. RPM (min.-1)
Description	Part No.	Description	Part No.	L	I <sub>1</sub>	I	d <sub>5</sub>	P	V	W						
BLO 40 A KPL	744856	BLO 40 A	707400	560	80	40	35	10	100	50	0.9	NU 308 C3	6308 C3	KM 8	MB 8	7500
BLO 45 A KPL	744857	BLO 45 A	707402	560	80	40	40	12	100	50	0.9	NU 309 C3	6309 C3	KM 9	MB 9	6700
BLO 50 A KPL	744858	BLO 50 A	707405	634	90	50	42	12	120	70	1.5	NU 310 C3	6310 C3	KM 10	MB 10	6300
BLO 55 A KPL	744859	BLO 55 A	707410	634	90	50	48	14	120	70	1.5	NU 311 C3	6311 C3	KM 11	MB 11	5600
BLO 60 A KPL	744860	BLO 60 A	707415	700	90	56	50	14	130	80	2.2	NU 312 C3	6312 C3	KM 12	MB 12	5000
BLO 65 A KPL	744861	BLO 65 A	707419	700	90	56	50	14	130	80	2.2	NU 313 C3	6313 C3	KM 13	MB 13	4800
BLO 70 A KPL	744862	BLO 70 A	707422	803	90	56	55	16	140	90	3.0	NU 314 C3	6314 C3	KM 14	MB 14	4500
BLO 75 A KPL	744863	BLO 75 A	707428	803	90	56	65	18	140	90	3.0	NU 315 C3	6315 C3	KM 15	MB 15	4000
BLO 80 A KPL	744864	BLO 80 A	707431	895	100	63	70	20	150	90	4.0	NU 316 C3	6316 C3	KM 16	MB 16	3800
BLO 85 A KPL	744865	BLO 85 A	707434	895	100	63	75	20	150	90	4.0	NU 317 C3	6317 C3	KM 17	MB 17	3600
BLO 90 A KPL	744866	BLO 90 A	707439	1016	100	70	80	22	160	100	6.0	NU 318 C3	6318 C3	KM 18	MB 18	3400
BLO 95 A KPL	744867	BLO 95 A	707453	1016	100	70	85	22	160	100	6.0	NU 319 C3	6319 C3	KM 19	MB 19	3400
BLO 100 A KPL	744868	BLO 100 A	707376	1036	140	70	90	25	170	100	6.0	NU 220 C3	6220 C3	KM 20	MB 20	3600
BLO 110 A KPL	744869	BLO 110 A	707381	1026	140	80	100	28	180	100	6.0	NU 222 C3	6222 C3	KM 22	MB 22	3200
BLO 120 A KPL	744870	BLO 120 A	707385	1465	140	100	110	28	200	140	10.0	NU 224 C3	6224 C3	KM 24	MB 24	3000
BLO 130 A KPL	744871	BLO 130 A	707389	1400	160	125	120	32	200	150	18.0	NU 226 C3	6226 C3	KM 26	MB 26	2800
BLO 140 A KPL	744872	BLO 140 A	707391	1450	210	140	130	32	220	180	20.0	NU 228 C3	6228 C3	KM 28	MB 28	2600

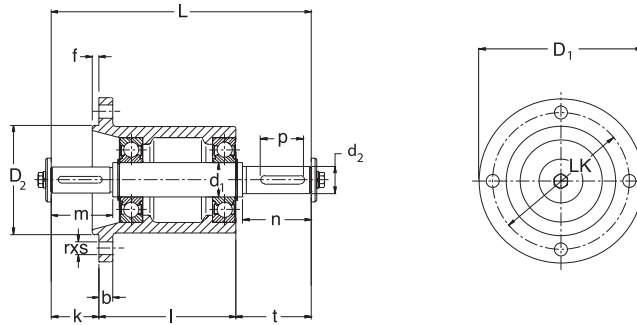
FEATURES/BENEFITS PAGE	NOMENCLATURE PAGE		
------------------------	-------------------	--	--

# SELECTION/DIMENSIONS



## DFL 200

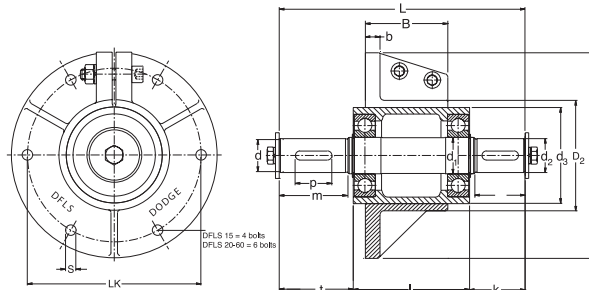
### TWO-BEARING HOUSINGS - complete with bearings and shaft



Housing complete with bearings and shaft			Dimensions in mm															Bearings		Max. RPM
Description	Part No.	kg	d <sub>1</sub>	d <sub>2</sub>	D <sub>1</sub>	D <sub>2</sub>	LK	f	r x s	n	m	k	l	t	b	L	p		(min-1)	
DFL 204 KPL	708444	2.3	20	18	135	70	110	5	6 x 9,5	50	38	45	85	53	10	183	32	2 x 6304 2RS C3	9000	
DFL 205 KPL	708446	3.0	25	22	120	80	100	5	4 x 9,5	50	45	35	100	55	10	190	32	2 x 6305 2RS C3	7500	
DFL 206 KPL	708451	4.9	30	28	150	90	125	6	4 x 11,5	60	50	40	112	65	12,5	217	36	2 x 6306 2RS C3	6300	
DFL 207 KPL	708452	6.54	35	32	180	100	140	6	6 x 11,5	65	55	45	125	70	14	240	40	2 x 6307 2RS C3	5600	
DFL 208 KPL	708453	9.36	40	35	200	112	160	6	6 x 11,5	75	55	45	140	80	16	265	40	2 x 6308 2RS C3	5000	

## DFLS

### TWO-BEARING HOUSINGS - complete with bearings and shaft



Housing complete with bearings and shaft			Dimensions in mm															Bearings		Max. RPM
Description	Part No.	kg	d <sub>1</sub>	d <sub>2</sub>	d <sub>3</sub>	D <sub>1</sub>	D <sub>2</sub>	LK	s	n	m	k	l	t	L	b	B	p		(min-1)
DFLS 15 KPL	708481	1.38	15	14	48	120	56	100	7	28	38	31	78	41	150	6	40	18	2 x 6302 2RS C3	12000
DFLS 20 KPL	708484	3.02	20	18	70	125	80	110	9,5	50	45	52,5	90	47,5	190	10	50	32	2 x 6304 2RS C3	9000
DFLS 25 KPL	708491	3.08	25	22	70	125	80	110	9,5	50	45	52,5	90	47,5	190	10	50	32	2 x 6305 2RS C3	7500
DFLS 30 KPL	708499	6.82	30	28	90	190	100	160	11,5	50	60	53,5	100	63,5	217	14	70	36	2 x 6306 2RS C3	6300
DFLS 35 KPL	708507	7.15	35	32	90	190	100	160	11,5	55	65	59	112	69,5	240	14	70	40	2 x 6307 2RS C3	5600
DFLS 40 KPL	708510	11.5	40	35	105	225	120	190	11,5	55	75	61,5	127	76,5	265	16	90	40	2 x 6308 2RS C3	5000
DFLS 50 KPL	708519	22.8	50	45	125	300	145	265	11,5	75	75	77,5	170	77,5	325	16	100	56	2 x 6310 2RS C3	4000
DFLS 60 KPL	708529	38.5	60	55	150	350	180	310	11,5	90	90	95	210	95	400	20	140	80	2 x 6312 2RS C3	3400

FEATURES/BENEFITS  
PAGE

NOMENCLATURE  
PAGE

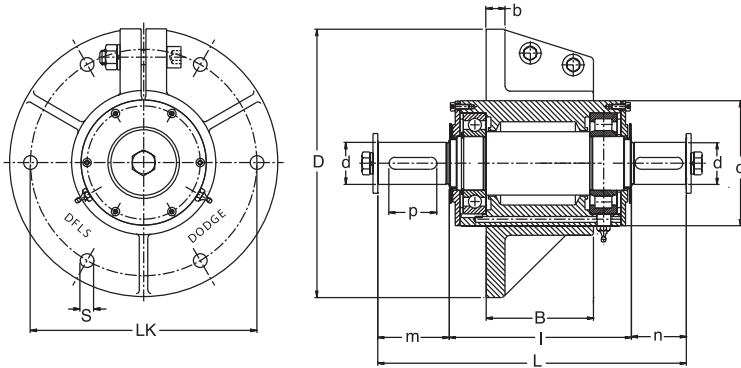


# SELECTION/DIMENSIONS



## DFLS NS

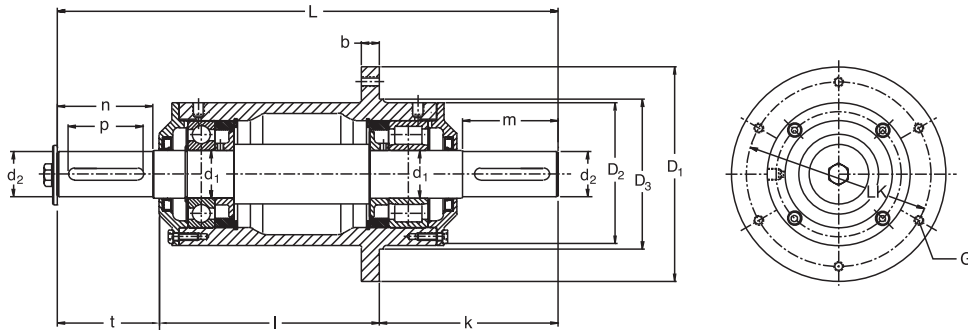
### TWO-BEARING HOUSINGS - complete with bearings and shaft



Housing complete with bearings and shaft			Dimensions in mm											Bearings		Max. RPM	
Description	Part No.	kg	d	d <sub>1</sub>	D	LK	s	L	n	m	l	B	b	p	Impeller	drive	(min-1)
DFLS 20 KPL NS	708487	3.25	18	70	125	110	9.5	190	42.5	37.5	110	50	10	28	6205 C3	NU 2205 C3	12000
DFLS 25 KPL NS	708494	3.31	22	70	125	110	9.5	190	42.5	37.5	110	50	10	28	6205 C3	NU 2205 C3	12000
DFLS 30 KPL NS	708500	7.19	28	90	190	160	11.5	217	45.0	50.0	127	70	14	32	6207 C3	NU 2207 C3	8500
DFLS 40 KPL NS	708513	12.0	35	105	225	190	11.5	265	40.0	65.0	155	90	16	36	6209 C3	NU 2209 C3	7000
DFLS 50 KPL NS	708522	23.54	45	125	300	265	11.5	325	74.0	74.0	177	100	16	56	6211 C3	NU 2211 C3	6000
DFLS 60 KPL NS	708532	39.6	55	150	350	310	11.5	400	89.0	89.0	222	140	20	80	6312 C3	NU 312 C3	4300

## DFL

### TWO-BEARING HOUSINGS - complete with bearings and shaft



Housing complete with bearings and shaft			Dimensions in mm											Bearings		Max. RPM				
Description	Part No.	kg	d <sub>1</sub>	d <sub>2</sub>	D <sub>1</sub>	D <sub>2</sub>	D <sub>3</sub>	L <sub>K</sub>	G	n	m	k	l	t	b	L	p	Impeller	drive	(min-1)
DFL 30	708454	5.6	30	28	150	100	105	130	4 x M8	60	60	120	155	65	15	340	40	6206 C3	NU 206 C3	11000
DFL 35	708463	6.0	35	32	180	120	125	155	6 x M8	60	60	130	185	65	15	380	40	6307 C3	NU 307 C3	8500
DFL 40	708468	7.2	40	38	180	120	125	155	6 x M8	80	80	150	185	85	15	420	63	6308 C3	NU 2308 C3	7500
DFL 45	708474	8.0	45	40	200	140	145	175	6 x M8	80	80	160	195	85	15	440	63	6309 C3	NU 2309 C3	6700

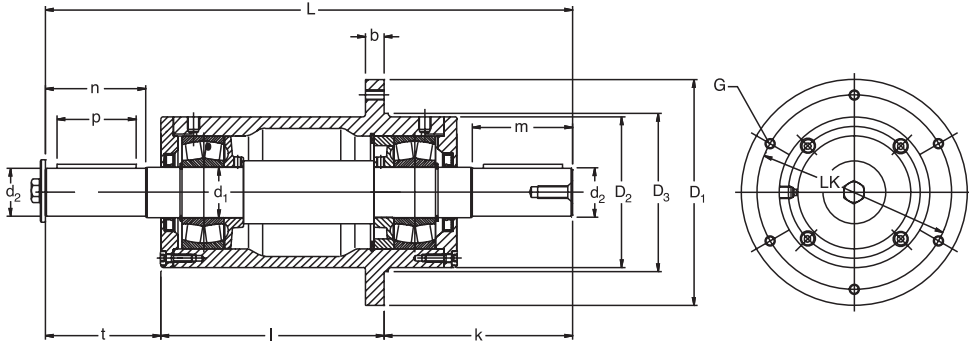
FEATURES/BENEFITS PAGE	NOMENCLATURE PAGE		
------------------------	-------------------	--	--

# SELECTION/DIMENSIONS



## DFL HT

### TWO-BEARING HOUSINGS - complete with bearings and shaft



Housing complete with bearings and shaft			Dimensions in mm														Spherical roller bearing	Max. RPM (min-1)	
Description	Part No.	kg	d <sub>1</sub>	d <sub>2</sub>	D <sub>1</sub>	D <sub>2</sub>	D <sub>3</sub>	LK	G	n	m	k	l	t	b	L	p		
DFL 30 HT	708455	5.6	30	28	150	100	105	130	4 x M8	60	60	120	148	72	15	340	40	2 x 22206 C3	7500
DFL 35 HT	708464	6.0	35	32	180	120	125	155	6 x M8	60	60	130	178	72	15	380	40	2 x 22207 C3	6300
DFL 40 HT	708469	7.2	40	38	180	120	125	155	6 x M8	80	80	150	178	92	15	420	63	2 x 22308 C3	4300
DFL 45 HT	708475	8.0	45	40	200	140	145	175	6 x M8	80	80	160	178	92	15	440	63	2 x 22309 C3	3800

IMPERIAL - ISAF

UNIFIED SAF

International Bearings

Sleeve Bearing

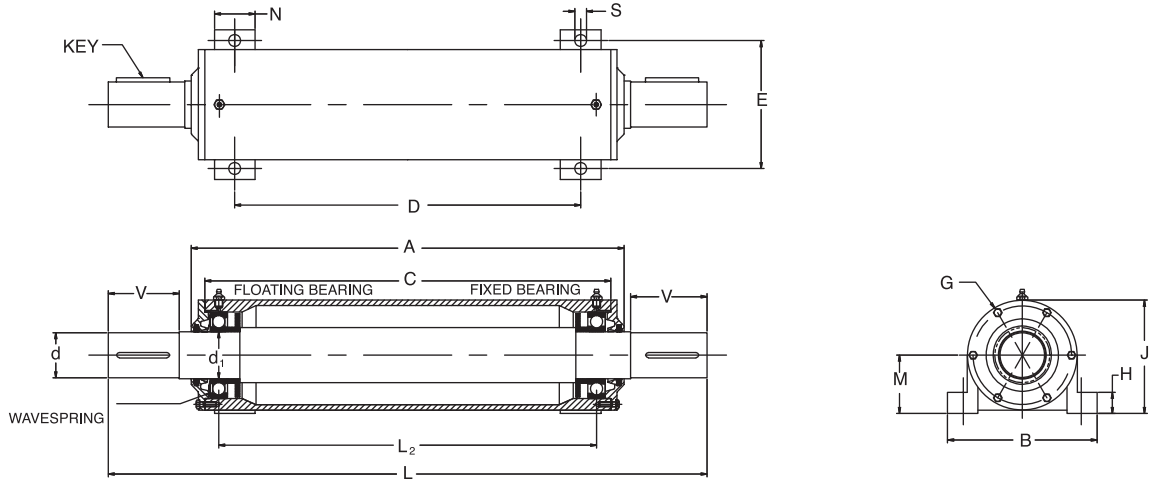
SLEEVOIL

FEATURES/BENEFITS PAGE	NOMENCLATURE PAGE		
------------------------	-------------------	--	--

# SELECTION/DIMENSIONS



## PDFN and PDFN KPL TWO-BEARING HOUSINGS



Housing Size	Housing Only Without Bearings and Shaft		Housing Complete With Bearings and Shaft		Dimensions in mm Abmessung in mm Dimensions en mm Dimensiones en mm Misura in mm																	Bearings Lager Roulements Rodamientos Cuscinetti	Key
	PDFN Part Number	kg	PDFN KPL Part Number	kg	d <sub>1</sub>	d	A	B	C	D	E	H	J	L	L <sub>2</sub>	M	N	V	g	S			
306	726921	5.5	726922	10	30	24	226	160	210	150	130	18	100	340	171.5	50	40	50	4 x M6	15	6306 C3	8 x 7 x 40	
307	726926	8	726927	14	35	28	260	190	239	175	150	18	116	395	195.5	60	45	60	4 x M6	15	6307 C3	8 x 7 x 40	
308	726929	10.5	726930	20	40	32	315	190	298	225	150	20	121	490	255.5	60	52	80	4 x M6	15	6308 C3	10 x 8 x 62	
309	726933	13.5	739024	25	45	38	360	210	340	250	170	22	137	535	279.5	70	52	80	4 x M6	15	6309 C3	10 x 8 x 62	
310	726936	15.5	726937	30	50	42	377	210	360	275	170	25	142	613	311.5	70	60	110	6 x M6	15	6310 C3	12 x 8 x 80	
311	726941	23	739025	40	55	48	422	260	400	300	210	25	158	658	335.5	80	60	110	4 X M6	19	6311 C3	14 x 9 x 80	
312	726943	26	726944	52	60	48	460	260	437	340	210	25	165	696	383.5	80	70	110	6 X M8	19	6312 C3	14 x 9 x 80	
313	726947	30	726948	57	65	55	492	280	470	360	230	25	185	728	402.5	95	70	110	6 X M8	19	6313 C3	16 x 10 x 80	
314	726953	33	726954	69	70	60	512	290	490	380	230	25	190	812	420.5	95	70	140	6 X M8	19	6314 C3	18 x 11 x 100	
315	726957	41	739027	81	75	65	547	320	508	400	260	30	200	847	448.5	100	80	140	6 X M8	19	6315 C3	20 x 12 x 100	
316	726959	52	726960	92	80	70	556	320	525	420	260	30	220	856	466.5	112	80	140	6 X M10	19	6316 C3	20 x 12 x 100	
317	726962	58	739028	115	85	75	590	350	559	440	290	30	225	890	486	112	80	140	6 X M10	19	6317 C3	22 x 14 x 100	
318	726964	62	739029	135	90	80	605	350	575	460	290	30	230	965	510	112	85	170	6 X M10	19	6318 C3	22 x 14 x 140	
319	726966	82	739030	154	95	85	648	400	605	480	320	36	253	1008	540	125	90	170	6 X M10	24	6319 C3	22 x 14 x 140	

FEATURES/BENEFITS PAGE	NOMENCLATURE PAGE		
---------------------------	----------------------	--	--

# NOTES



IMPERIAL - ISAF

UNIFIED SAF

International

Sleeve Bearing

SLEEVOIL

FEATURES/BENEFITS PAGE	NOMENCLATURE PAGE		
---------------------------	----------------------	--	--

# CONTENTS



## Sleeve Bearings

Features / Benefits .....	B13-2
Specification/How To Order .....	B13-4
Nomenclature .....	B13-5
Selection	
SOLIDLUBE® - Inch .....	B13-6
SOLIDLUBE® - Metric .....	B13-8
Babbitted and Bronze-Bushed .....	B13-10
BRONZOIL® .....	B13-12
Selection/Dimensions	
SOLIDLUBE® .....	B13-14
Babbitted .....	B13-36
Bronze-Bushed .....	B13-46
BRONZOIL® .....	B13-50
Shaft Collars .....	B13-52
Part Number Index .....	INDEX-1
Key Word Index .....	INDEX-34

IMPERIAL - ISAF

UNIFIED SAF

International Bearings

Sleeve Bearing

SLEEVOIL

## FEATURES/BENEFITS

**DODGE**<sup>®</sup>



### Sleeve Bearings

### SOLIDLUBE .....



Self-Lubricating, Statically Self-Aligning Bearings for Extreme Industrial Applications

- Good in temperature extremes and inaccessible locations.
- Will function effectively in a vacuum.
- Ideal where bearings are subject to dry cycles or where lube systems would be too costly.
- Usable in many corrosive (chemical) medias.
- Will operate in submersible applications of some low viscosity liquids.
- Recommended for slow speeds and limited shaft movement applications.

# FEATURES/BENEFITS



## Sleeve Bearings

### BABBITTED AND BRONZE-BUSHED BEARINGS . . . . .



#### GOOD FOR SLOW SPEEDS AND SHOCK LOADS

- MPTA LOAD RATINGS
- Cast Iron Housings
- 2 and 4 Bolt Housings

#### Babbitted

- Solid or Fully Split Housing
- Babbitted Bearing Surface



#### Bronzed-Bushed

- Fully Split Housing
- Replaceable Split Bronze Bushings
- Brass Locking Spool for Easy Bushing Replacement

### BRONZOIL . . . . .



- Self Oiling Bushing Feeds Oil to Shaft
- Split Pressed Steel Housing
- Statically Self-Aligning
- Bushing Shoulder Provides Self-Lubricating Bearing Thrust Surface
- Slotted Bolt Holes
- Oil Resistant Rubber Grommets Available for Sound Isolation and Static Electricity Protection

IMPERIAL - ISAF

UNIFIED SAF

International Bearings

Sleeve Bearing

SLEEVOIL

# SPECIFICATION/ HOW TO ORDER



## Sleeve Bearings

### HOW TO ORDER SLEEVE BEARINGS

There are two ways to specify DODGE Sleeve Bearings. Most of the product offering have part numbers with listings shown throughout this catalog. Use of part numbers ensures accurate order processing.

When part numbers are not shown, the product may be specified by description or part name. This method is used when ordering units that include modifications or options. To order by description, use the nomenclature key shown on page B13-5 and add any special instructions to the end of the description for options not covered by the nomenclature.

### SOLIDLUBE

Statically self-aligning, non-galling, solid-film lubricating for temperature extremes.

- 700 Series: -40° to 700°F
- 1000 Series: -200° to -40°F; 250°F to 1,000°F
- 800 Series: -40° to 800°F

Also suitable for submerged and limited movement applications.

### Babbitted

Grease lubricated for moderate speeds and loads, ambient temperature to 130°F, babbitt accurately bored to insure even load distribution for conveyor shafts, heavy gear, and chain drives use.

### Bronze-Bushed

Grease lubricated for moderate speeds, ambient temperature to 300°F and heavy loads or shock loads make the advantage of a precision replaceable bronze bushing desirable. Other bushing material is available on a special order basis, such as bronze with graphite plugs, or phenolic resin on nylon.

### BRONZOIL

Economical, statically self-aligning, and self-lubricating pillow blocks and four-bolt flange units for fans, light machinery, and other general use; ambient temperature to 180°F.

IMPERIAL - ISAF

UNIFIED SAF

International Bearings

Sleeve Bearing

SLEVOIL



# NOMENCLATURE



## Sleeve Bearings

### SLEEVE BEARING NOMENCLATURE

**P2B - LT7 - 108 - SH**

#### MODIFICATIONS/FEATURES:

SH Stainless Steel Housing  
(Available with SOLIDLUBE LT Series Only)

#### HOUSINGS:

P2B	Pillow Block, 2 Bolt Base
P4B	Pillow Block, 4 Bolt Base
F2B	Flange, 2 Bolt
F4B	Flange, 4 Bolt
HNG	Hanger Bearing
NSTU	Narrow Slot Take-Up
SCHB	Screw Conveyor Hanger Bearing
WSTU	Wide Slot Take-Up
TB	Tape Base
FB	Flange Bracket

#### STYLE:

BO	BRONZOIL
BASO	Babbitted Solid
BASP	Babbitted Split
BAR	Babbitted Rigid
BAA	Babbitted Angle
BAP	Babbitted Plate
BZSP	Bronze Bushed Split
BZR	Bronze Bushed Rigid
BZA	Bronze Bushed Angle
LT7	SOLIDLUBE LT700 Series
LT10	SOLIDLUBE LT 1000 Series
LTB7	SOLIDLUBE Lower Backing Height On Pillow Blocks For LT700 Series
LTB10	SOLIDLUBE Lower Backing Height On Pillow Blocks For LT1000 Series
LT7NP	SOLIDLUBE LT700 Series Nickel Plate
LM8	SOLIDLUBE LM800 Series
MM7	SOLIDLUBE MM700 Series
MM10	SOLIDLUBE MM1000 Series

#### SHAFT SIZE:

115	First Digit: Number Of Inches Second And Third Digit: Sixteenths Of An Inch 115 Indicates 1-15/16
50M	FIRST TWO DIGITS: Bore In Millimeters; M : Indicates Metric Dimension

IMPERIAL - ISAF

UNIFIED SAF

International Bearings

Sleeve Bearing

SLEEVOIL



## Sleeve Bearings - SOLIDLUBE - Inch

### Bearing Size

Select a bearing from tables for normal loads or loads in limited shaft movement applications having a radial load equal to or greater than the actual load. This simple method is all that is required for the majority of general machine applications using commercial steel shafting and operating in a dry atmosphere. (For more favorable conditions, ratings may be increased somewhat; consult factory). Shaft collars may be used for slight amounts of thrust. Generally the rule of 10% of the radial load applies. Dirty environments will reduce bearing life and should be avoided. Losses due to friction can be as high as 30% depending on speed, lead, temperature and shaft material.

### Shafting

Commercial steel shafting is good in applications where temperatures do not exceed 700°F. However, for extended bearing life, at any temperature, the shaft should be hardened to 35 Rockwell "C" or better. Shaft finish should be 10 to 20 micro-inches. A finish rougher than 20μ will lessen bearing life. A finish smoother than 10 will not allow the optimum lubricant film to develop. Shaft tolerance should be +.000/-.002 for commercial steel shafting. If using other shaft materials, consult DODGE for the shaft tolerance and thermal expansion.

When commercial shafting is exposed to a corrosive media, it will oxidize. A rusty shaft will grow in the bearing, thus eliminating clearances. In this case stainless steel shafting may be used and/or provide for regularly scheduled movement of shaft. In elevated temperatures stainless grades such as 17-4, 15-5, or 13-8 are hardenable. Shafts can be spray coated with ceramic or hard chrome. This is good up to about 800°F. Check with your supplier, since these coatings can flake off when the coefficient of thermal expansion of the base material differs greatly from that of the coating.

High grade specialty shafting may be used in excess of 1000°F. It may be less expensive to use sleeves of this material on more economical shafting.

### Noise or High Pitched Squeal

Carbon-graphite bushings can develop a high frequency vibration in resonance with the operating system to cause noise. Dampening or change of resonant frequency of the shaft is required to eliminate noise.

### Specials

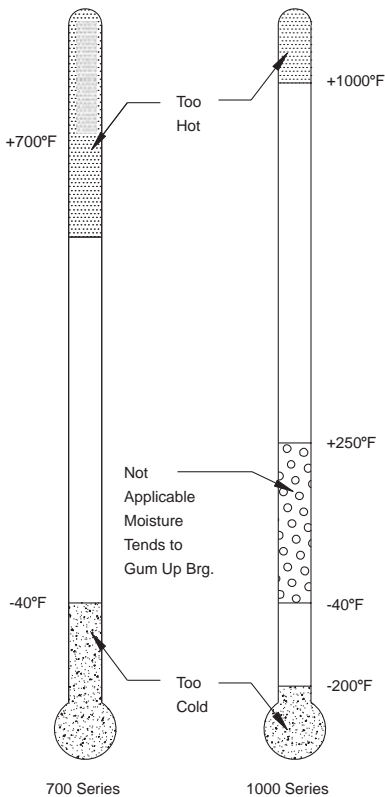
SOLIDLUBE bearings or bearings made from alternate bushing materials such as polymers, fibers, bronze, etc. for unusual operating and load conditions are available on a specially engineered basis by supplying the following:

- Shaft size, material and rpm.
- Normal load, shock load and frequency.
- Direction of load.
- Ambient temperature and atmospheric conditions (water, dirt, corrosive, etc.)
- Type of bearing: pillow block, flange bearing, etc.
- Housing material desired.
- Quantity.

### End Closures

Ball Bearing end Closures are available (B3-136).

**Note: SOLIDLUBE bearings are not designed for rotating housing applications**



## SOLIDLUBE Bearing Operating Temperature

FEATURES/BENEFITS  
PAGE B13-2

SPECIFICATION/HTO  
PAGE B13-4

NOMENCLATURE  
PAGE B13-5

SELECTION/DIMENSIONS  
PAGE B13-14

# SELECTION



## Sleeve Bearings - SOLIDLUBE - Inch

### SOLIDLUBE 700, 1000 and 800 Series

#### SOLIDLUBE Bearing 700 and 1000 Series Radial Load Ratings in Pounds (Normal Loads)

Shaft Size	Radial Load Ratings in Pounds at various Revolutions per Minute												
	Up to 10	25	50	75	100	150	200	250	300	350	400	450	
3/4	560	560	560	560	560	380	285	230	190	165	145	125	
7/8, 15/16, 1	750	750	750	750	610	405	315	245	205	175	155	130	
1-1/8, 1-3/16	1050	1050	1050	908	680	450	340	270	225	190	170	150	
1-1/4, 1-3/8, 1-7/16, 1-1/2	1610	1610	1610	1140	855	570	430	340	280	245	215	190	
1-11/16, 1-3/4	1980	1980	1790	1190	895	595	440	390	295	255	220	200	
1-15/16, 2	2360	2360	1860	1240	930	620	465	370	310	265	235	205	
2-3/16	2870	2870	2010	1340	1000	670	500	400	335	285	250	225	
2-7/16, 2-1/2	3760	3760	2360	1580	1180	795	590	475	390	340	295	265	
2-15/16, 3	5970	5970	3120	2070	1560	1040	780	625	515	445	390	345	
3-7/16, 3-1/2	9100	8010	4000	2670	2000	1340	1000	800	670	570	500	445	
3-15/16, 4	11800	9160	4590	3060	2290	1530	1150	930	765	665	575	510	
4-7/16, 4-1/2	15200	10300	5150	3440	2580	1720	1290	1030	860	740	645	...	
4-15/16, 5	18400	11400	5710	3810	2860	1910	1430	1140	955	815	...	...	

Shaft Size	500	550	600	700	800	900	1000	1100	1300	1600	1900	2200	2500
3/4	110	105	96	82	72	64	57	52	44	35	30	26	22
7/8, 15/16, 1	120	110	105	90	80	70	60	54	47	38	32		
1-1/8, 1-3/16	135	125	115	97	85	75	68	62	42	42			
1-1/4, 1-3/8, 1-7/16, 1-1/2	170	155	145	120	105	95	86	78	66				
1-11/16, 1-3/4	180	165	150	130	110	99	89	81					
1-15/16, 2	185	170	155	135	115	105							
2-3/16	200	180	165	145	125								
2-7/16, 2-1/2	235	215	195	170									
2-15/16, 3	345	315	290										
3-7/16, 3-1/2	400	365											

**NOTE:** The above ratings apply to all base loaded pillow blocks, all cylindrical units and flange type bearings (up to 700°F). For flange bearings operating at temperatures above 700°F, cap and side loading of pillow blocks consult Application Engineering. For operations speeds below heavy line, use LT1000 and/or hardened shaft.

#### SOLIDLUBE Bearing Corrosion (Chemical) Resistance

Type of Chemical	Chemical	Bearing Series	
		LM800 700	1000
Acids and Acidic Solutions	Mineral (Non-Oxidizing)	★	★
	Mineral (Oxidizing)	■	★
	Inorganic Salts (Acid Forming)	★	★
	Organic (Strong)	★	★
	Organic (Weak) pH 3-7	★	★
	Organic Salts (Acid Forming)	★	★
Alkalis (Bases & Alkaline Solutions)	Mineral (Non-Oxidizing)	★	★
	Mineral (Oxidizing)	▲	★
	Inorganic Salts (Base Forming)	★	★
	Organic (Strong)	★	★
	Weak Organic Bases pH 7-11	★	★
Gases	Acid	★	★
	Alkaline (base)	★	★
	Anhydrous (dew Point below -30°F)	▲	▲
	Cyrogenic (Liquefied)	■	▲
	Inert	★	★
	Oxidizing	■	▲
Salts	Reducing	★	★
	Acid Salts	▲	▲
	Alkaline Sales	▲	▲
	Metals	★	★
	Neutral Salts	■	▲
	Neutral Salt Solutions	★	★
Solvents	Aliphatic	★	★
	Aromatic	★	★
	Chlorinated, Fluorinated	★	★
	Oxygenated, Sulfides	★	★

- ★ Good. Not known interaction; compatible
- ▲ Questionable (depends on conditions)
- Not recommended

**Note:** For compatibility or specific chemical, contact Application Engineering

#### 700 and 1000 Series SOLIDLUBE Bearing Radial Load Rating in Pounds

##### (Limited Shaft Movement Applications) ▲

Shaft Size	Max. Radial Load		Max. Thrust
	Base Loaded	Cap or Side Loading	
3/4	1100	775	56
7/8, 15/16, 1	1500	795	75
1-1/8, 1-3/16	2100	820	105
1-1/4, 1-3/8, 1-7/16, 1-1/2	3200	1710	161
1-11/16, 1-3/4	4000	1905	198
1-15/16, 2	4700	1920	236
2-3/16	5700	1900	287
2-7/16, 2-1/2	7500	2360	376
2-15/16, 3	12,000	4151	597

▲ Use only when shaft movement is limited to approx. ±90°. Movement is infrequent as opposed to continuous and maximum bearing temperature is 700°F.

#### LM800 Radial Load Ratings

Bearing Size	Max. Radial Base Load	Max. Radial Cap Load
3/4	560	560
1	750	600
1-1/4	1610	600
1-1/2	1610	600

**Note:** These load ratings are to be used only when shaft rotation is less than 10 RPM and temperature does not exceed 800° F. Maximum allowable thrust load is 50 lbs.

FEATURES/BENEFITS PAGE B13-2	SPECIFICATION/HTO PAGE B13-4	NOMENCLATURE PAGE B13-5	SELECTION/DIMENSIONS PAGE B13-14
---------------------------------	---------------------------------	----------------------------	-------------------------------------



## Sleeve Bearings - SOLIDLUBE - Metric

### Bearing Size

Select a bearing from tables for normal loads or loads in limited shaft movement applications having a radial load equal to or greater than the actual load. This simple method is all that is required for the majority of general machine applications using commercial steel shafting and operating in a dry atmosphere. (For more favorable conditions, ratings may be increased somewhat; consult factory). Shaft collars may be used for slight amounts of thrust. Generally the rule of 10% of the radial load applies. Dirty environments will reduce bearing life and should be avoided. Losses due to friction can be as high as 30% depending on speed, load, temperature and shaft material.

### Shafting

Commercial steel shafting is good in applications where temperatures do not exceed 370°C. However, for extended bearing life, at any temperature, the shaft should be hardened to 35 Rockwell "C" or better. Shaft finish should be .25 to .50 micro-meters. A finish rougher than .50 will lessen bearing life. A finish smoother than  $R_a$  .25 micro-meters will not allow the optimum lubricant film to develop. Shaft tolerance should be +.000/-.051 millimeters for commercial steel shafting. If using other shaft materials, consult DODGE for the shaft tolerance and thermal expansion.

When commercial shafting is exposed to a corrosive media, it will oxidize. A rusty shaft will grow in the bearing, thus eliminating clearances. In this case stainless steel shafting may be used and/or provide for regularly scheduled movement of shaft. In elevated temperatures stainless grades such as 17-4, 15-5, or 13-8 are hardenable. Shafts can be spray coated with ceramic or hard chrome. This is good up to about 425°C. Check with your supplier, since these coatings can flake off when the coefficient of thermal expansion of the base material differs greatly from that of the coating.

High grade specialty shafting may be used in excess of 537°C. It may be less expensive to use sleeves of this material on more economical shafting.

### Noise or High Pitched Squeal

Carbon-graphite bushings can develop a high frequency vibration in resonance with the operating system to cause noise. Dampening or change of resonant frequency of the shaft is required to eliminate noise.

### Specials

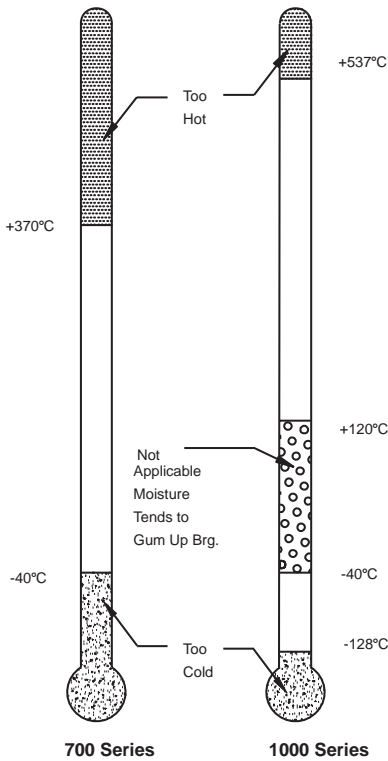
SOLIDLUBE bearings or bearings made from alternate bushing materials such as polymers, fibers, bronze, etc. for unusual operating and load conditions are available on a specially engineered basis by supplying the following:

- Shaft size, material and rpm.
- Normal load, shock load and frequency.
- Direction of load.
- Ambient temperature and atmospheric conditions (water, dirt, corrosive, etc.)
- Type of bearing: pillow block, flange bearing, etc.
- Housing material desired.
- Quantity.

### End Closures

Ball Bearing End Closures are available (Page B3-136).

**Note: SOLIDLUBE bearings are not designed for rotating housing applications**



### SOLIDLUBE Bearing Operating Temperature

FEATURES/BENEFITS  
PAGE B13-2

SPECIFICATION/HTO  
PAGE B13-4

NOMENCLATURE  
PAGE B13-5

SELECTION/DIMENSIONS  
PAGE B13-14

# SELECTION



## Sleeve Bearings - SOLIDLUBE - Metric SOLIDLUBE BEARING 700 and 1000 SERIES

### SOLIDLUBE Bearing 700 and 1000 Series Radial Load Ratings in Newtons (N) Normal Loads

Series	Shaft Size	Radial Load Ratings in Newtons at Various Revolutions per Minute											
		10	25	50	75	100	150	200	250	300	350	400	450
204	20mm	2490	2490	2490	2490	2490	1690	1270	1020	840	730	640	560
205	25mm	3340	3340	3340	3340	2710	1800	1400	1090	910	780	690	580
206	30mm	4670	4670	4670	4040	3020	2000	1510	1200	1000	840	760	670
207	35mm	7160	7160	7160	5070	3800	2540	1910	1510	1240	1090	960	840
209	40mm, 45mm	8800	8800	7960	5290	3980	2650	1960	1740	1310	1130	980	890
210	50mm	10500	10500	8270	5520	4140	2760	2070	1650	1380	1180	1040	910
212	60mm	16700	16700	10500	7030	5250	3540	2620	2110	1730	1510	1310	1180
215	70mm, 75mm	26500	26500	13900	9200	6940	4630	3470	2780	2290	1980	1740	1540

Series	Shaft Size	Radial Load Ratings in Newtons at Various Revolutions per Minute												
		500	550	600	700	800	900	1000	1100	1300	1600	1900	2200	2500
204	20mm	490	470	430	360	320	200	250	230	200	160	130	120	100
205	25mm	530	490	470	400	360	310	270	240	210	170	140	..	..
206	30mm	600	560	510	430	380	330	300	280	190	190	..	..	..
207	35mm	760	690	640	530	470	420	380	350	300	..	..	..	..
209	40mm, 45mm	800	730	670	580	490	440	400	360	..	..	..	..	..
210	50mm	820	760	690	600	510	470	..	..	..	..	..	..	..
212	60mm	1040	960	870	760	..	..	..	..	..	..	..	..	..
215	70mm, 75mm	1530	1400	1290	..	..	..	..	..	..	..	..	..	..

**NOTE:** The above ratings apply to all base loaded pillow blocks, all cylindrical units an flange type bearings (up to 370°C). For flange bearings operating at temperatures above 370°C, cap and side loading of pillow blocks consult Applications Engineering. For operation speeds below heavy line, use LT1000 and/or hardened shaft.

### SOLIDLUBE Bearings 700 Series and 1000 Series Radial Load Ratings in Newtons (N) (Limited Shaft Movement Applications) ▲

Series	Shaft Size	Max. Radial Load		Max. Thrust Load
		Base Loaded	Cap or Side Loading	
204	20mm	4890	3450	250
205	25mm	6670	3540	330
206	30mm	9340	3650	470
207	35mm	14200	7600	720
209	40mm, 45mm	17800	8470	880
210	50mm	20900	8540	1050
212	60mm	33400	10500	1670
215	70mm, 75mm	53400	18500	2660

▲ Use only when shaft movement is Limited to approx. ± 90°  
Movement is infrequent as opposed to continuous and maximum bearing temperature is 370°C.

FEATURES/BENEFITS PAGE B13-2	SPECIFICATION/HTO PAGE B13-4	NOMENCLATURE PAGE B13-5	SELECTION/DIMENSIONS PAGE B13-14
---------------------------------	---------------------------------	----------------------------	-------------------------------------



**Sleeve Bearings - Babbitted and Bronze-Bushed**

**General Information**

**SCOPE-for Stock Babbitted and Bronze Bushed Bearings, Pillow Blocks and Take-Ups of the Rigid, Grease Lubricated Type.**

Important-Referring to Table and Table on the opposite page: Table ratings apply to the following DODGE Babbitted Sleeve Bearings:

- Solid Journals
- Split Babbitted Journals
- Rigid Babbitted Pillow Blocks
- Angle Babbitted Pillow Blocks
- Plate Type Flange Bearings
- Type H Take-Ups
- Type A and B Take-Ups

Table 2 ratings apply to DODGE Bronze Bushed Pillow Blocks:

- Split Bronze Bushed Journals
- Rigid Bronze Bushed Pillow Blocks
- Angle Bronze Bushed Pillow Blocks

**Note** - Ratings do not apply to BRONZOIL, Polymer SLEEVOIL or SOLIDLUBE pillow blocks.

**Reference** - Flush type reducer bushings to be used with Part Number **405015** 1/8 NPT grease fitting:

Part No.	Description
<b>430081</b>	1/2 x 1/8
<b>430086</b>	3/8 x 1/8
<b>430085</b>	3/8 x 1/4
<b>430087</b>	1/4 x 1/8
<b>430088</b>	1/2 x 1/4

**Selection** - Select a bearing from rating tables having a radial load equal to or greater than the Actual Radial Load, provided that operating conditions numbered 1

thru 7, at right, are met. If these conditions cannot be met, select a bearing for an Equivalent Radial Load to be obtained by multiplying the Actual Radial Load by a service factor depending on the specific application. Use a factor of up to 2.0 for areas in the rating table to the left of the zigzag line. Use a factor of up to 3.0 for areas to the right of the zigzag line.

Load ratings are based on industry standard ratings established by the Mechanical Power Transmission Association. (Standard No. 401)

**Operating Conditions**

1. Maintain adequate grease lubrication.
2. Maintain proper bearing alignment for uniform distribution of load under all operating conditions.
3. Normal running loads must not exceed ratings shown in the load tables. Starting and occasional peak loads should not exceed ratings by more than 100%.
4. Direction of load should not be closer than 30° to grease groove or closer than 30° to the joint between cap and base. If direction of load falls within this area which is not recommended, decrease maximum load by 50%.
5. The shaft journal surface finish must be equal to that of commercial steel shafting (about 32 micro inches) and the diameter within the tolerances of commercial steel shafting (+.000 / -.002)
6. Ambient temperature should not exceed 130°F for babbitted and 300°F for bronze-bushed bearings. If the shaft transmits heat from a source such as an oven, the shaft temperature at the bearing should not exceed these ambient temperatures.
7. Bearings should be protected against adverse operating conditions.

FEATURES/BENEFITS PAGE B13-2	SPECIFICATION/HTO PAGE B13-4	NOMENCLATURE PAGE B13-5	SELECTION/DIMENSIONS PAGE B13-14
---------------------------------	---------------------------------	----------------------------	-------------------------------------



## Sleeve Bearings - Babbitted and Bronze-Bushed

### Radial Load Ratings (Refer To Instructions On Opposite Page)

**Table 1: MPTA Radial Load Ratings for Babbitted Sleeve Bearings**

Shaft Sizes	Radial Load Rating in Lbs. at Various Revolutions Per Minute															
	10	50	100	150	200	250	300	350	400	450	500	600	700	800	900	1000
1/2	100	100	100	95	95	95	95	95	90	90	85	85	85	80	80	
5/8	150	150	145	145	140	140	135	135	135	130	130	125	120	115	110	
3/4	180	175	175	170	170	165	160	160	155	155	150	145	140	130	125	
7/8	260	255	250	245	240	235	230	225	220	215	210	200	190	180	150	
15/16	280	275	265	260	255	250	245	240	235	225	220	210	200	185	105	
1	295	290	285	280	270	265	260	250	245	240	230	220	205	...	...	
1-1/8	415	410	400	390	380	370	355	345	335	325	315	295	245	...	...	
1-3/16, 1-1/4	440	430	420	410	395	385	375	360	350	340	325	305	190	...	...	
1-5/16, 1-3/8	585	570	555	535	520	505	485	470	455	435	420	345	...	...	...	
1-7/16, 1-1/2	640	625	605	585	565	545	525	500	480	460	440	205	...	...	...	
1-11/16, 1-3/4	875	850	820	785	755	720	690	655	625	590	340	...	...	...	...	
1-15/16, 2	1150	1110	1060	1010	965	915	865	815	730	335	...	...	...	...	...	
2-3/16, 2-1/4	1460	1400	1330	1260	1190	1120	1050	975	410	...	...	...	...	...	...	
2-7/16, 2-1/2	1800	1730	1630	1530	1430	1340	1240	645	...	...	...	...	...	...	...	
2-11/16, 2-3/4	2190	2080	1950	1820	1690	1560	1150	110	...	...	...	...	...	...	...	
2-15/16, 3	2600	2470	2300	2130	1960	1790	675	...	...	...	...	...	...	...	...	
3-7/16, 3-1/2	3550	3330	3060	2790	2520	1200	...	...	...	...	...	...	...	...	...	
3-15/16, 4	4640	4310	3910	3500	2760	...	...	...	...	...	...	...	...	...	...	
4-7/16, 4-1/2	5870	5410	4830	4250	1410	...	...	...	...	...	...	...	...	...	...	
4-15/16, 5	7240	6600	5810	5010	...	...	...	...	...	...	...	...	...	...	...	
5-7/16, 5-12	8750	7900	6840	4360	...	...	...	...	...	...	...	...	...	...	...	
5-15/16, 6	10410	9300	7910	2390	...	...	...	...	...	...	...	...	...	...	...	
6-7/16, 6-1/2	12200	10790	9020	...	...	...	...	...	...	...	...	...	...	...	...	
6-15/16, 7	14120	12360	10150	...	...	...	...	...	...	...	...	...	...	...	...	
7-7/16, 7-1/2	17270	14950	12050	...	...	...	...	...	...	...	...	...	...	...	...	
7-15/16, 8	18390	15750	10710	...	...	...	...	...	...	...	...	...	...	...	...	
9	20750	17360	4140	...	...	...	...	...	...	...	...	...	...	...	...	
10	22950	18760	...	...	...	...	...	...	...	...	...	...	...	...	...	
12	30700	23190	...	...	...	...	...	...	...	...	...	...	...	...	...	

For speeds lower than 10 rpm consult DODGE.

**Table 2: MPTA Radial Load Ratings for Bronze Bushed Sleeve Bearings**

Shaft Sizes	Radial Load Rating in Lbs. at Various Revolutions Per Minute															
	10	50	100	150	200	250	300	350	400	450	500	600	700	800	900	1000
1/2	170	170	165	165	165	165	165	160	160	160	160	155	155	150	150	
5/8	250	250	245	245	245	240	240	235	235	235	230	225	220	220	215	
3/4	300	300	295	295	290	285	285	280	280	275	270	265	260	255	250	
7/8	435	430	425	420	415	410	405	400	395	390	385	375	365	355	325	
15/16	465	460	455	450	445	435	430	425	420	415	410	395	385	375	295	
1	495	490	485	480	470	465	460	450	445	440	430	420	405	360	255	
1-1/8	700	690	680	670	660	650	640	630	620	605	595	575	525	360	195	
1-3/16, 1-1/4	735	730	715	705	695	680	670	660	645	635	625	600	485	300	115	
1-5/16, 1-3/8	980	965	950	930	915	895	880	865	845	830	815	735	465	195	...	
1-7/16, 1-1/2	1070	1050	1030	1010	995	975	955	935	915	895	875	635	315	...	...	
1-11/16, 1-3/4	1470	1440	1410	1370	1340	1310	1280	1240	1210	1180	930	410	...	...	...	
1-15/16, 2	1920	1880	1830	1790	1740	1690	1640	1590	1500	1110	715	...	...	...	...	
2-3/16, 2-1/4	2440	2390	2320	2240	2170	2100	2030	1960	1390	830	265	...	...	...	...	
2-7/16, 2-1/2	3020	2940	2850	2750	2650	2560	2460	1860	1090	...	...	...	...	...	...	
2-11/16, 2-3/4	3660	3560	3430	3300	3170	3040	2620	1580	545	...	...	...	...	...	...	
2-15/16, 3	4370	4230	4060	3890	3720	3550	2440	...	...	...	...	...	...	...	...	
3-7/16, 3-1/2	5960	5740	5470	5200	4930	3610	1440	...	...	...	...	...	...	...	...	
3-15/16, 4	7790	7460	7060	6650	5910	...	...	...	...	...	...	...	...	...	...	
4-7/16, 4-1/2	9860	9400	8820	8240	5400	...	...	...	...	...	...	...	...	...	...	
4-15/16, 5	12180	11540	10740	9950	4090	...	...	...	...	...	...	...	...	...	...	
5-7/16, 5-1/2	14740	13880	12820	10340	1820	...	...	...	...	...	...	...	...	...	...	
5-15/16, 6	17530	16420	15040	9520	...	...	...	...	...	...	...	...	...	...	...	
6-7/16, 6-1/2	20560	19150	17390	7900	...	...	...	...	...	...	...	...	...	...	...	
6-15/16, 7	23840	22070	19870	5350	...	...	...	...	...	...	...	...	...	...	...	
7-7/16, 7-1/2	29170	26850	23950	1880	...	...	...	...	...	...	...	...	...	...	...	
7-15/16, 8	31090	28450	23410	...	...	...	...	...	...	...	...	...	...	...	...	
9	35150	31760	18540	...	...	...	...	...	...	...	...	...	...	...	...	
10	38950	34760	2220	...	...	...	...	...	...	...	...	...	...	...	...	
12	52300	45520	...	...	...	...	...	...	...	...	...	...	...	...	...	

For speeds lower than 10 rpm consult DODGE.

FEATURES/BENEFITS PAGE B13-2	SPECIFICATION/HTO PAGE B13-4	NOMENCLATURE PAGE B13-5	SELECTION/DIMENSIONS PAGE B13-14
---------------------------------	---------------------------------	----------------------------	-------------------------------------

# SELECTION



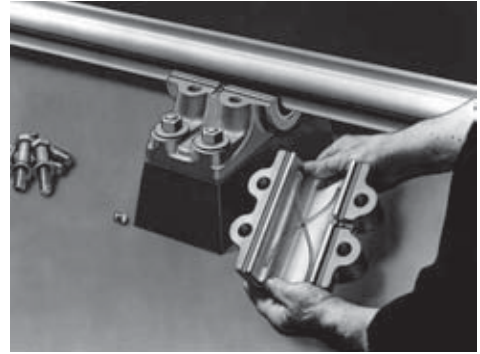
## Sleeve Bearings - Bronze Bushings



U.S. PATENT NO. 3,071,419



Lower half of new bushing is installed by relieving shaft pressure, prying out old bushing and rolling in new one.



New bushing upper half is easily dropped into bearing cap. Grease grooves in the top of bore offer adequate lubrication.

- For Split Bronze Bushed Journal Bearings.
- For Rigid Bronze Bushed Pillow Blocks.
- For Angle Bronze Bushed Pillow Blocks.

These precision bushings are machined from quality cast cylinders of high grade leaded bronze. They are furnished in matched halves and sold in complete sets only. Grease grooves are provided in the top half for proper lubrication. Bushings are designed to be installed in the bearings listed above without removing the shaft or bearing base. A brass locking spool positions the bushing preventing lateral movement or rotation. This simple method minimizes down time and labor costs. They are particularly suited for heavy loads, elevated temperatures and corrosive conditions.

Bushings made of special alloys can be furnished where especially difficult heat problems may arise. They will be priced on application.

### Bronze Bushing Sets ♠

Shaft Size	Bushings Sets†		Locking Spools* Part No.
	Part No.	Wt.	
1-15/16	<b>005055</b>	1.70	<b>005050</b>
2-3/16	<b>005056</b>	2.10	
2-7/16	<b>005057</b>	2.50	
2-11/16	<b>005058</b>	3.10	
2-15/16	<b>005059</b>	3.60	
3-7/16	<b>005060</b>	4.90	
3-15/16	<b>005061</b>	9.70	<b>005051</b>
4-7/16	<b>005062</b>	14	
4-15/16	<b>005063</b>	15	
5-7/16	<b>005064</b>	18	<b>005052</b>
5-15/16	<b>005065</b>	21	
6-1/2	<b>005066</b>	28	<b>005053</b>
7	<b>005067</b>	33	
7-1/2	<b>005117</b>	37	
8	<b>005068</b>	42	

♠ For other bushing material consult DODGE

† Price is for one bushing set which includes upper and lower half

\* Order separately if desired

FEATURES/BENEFITS PAGE B13-2	SPECIFICATION/HTO PAGE B13-4	NOMENCLATURE PAGE B13-5	SELECTION/DIMENSIONS PAGE B13-14
---------------------------------	---------------------------------	----------------------------	-------------------------------------





## Sleeve Bearings - BRONZOIL

### RADIAL LOAD RATINGS FOR BRONZOIL SLEEVE BEARINGS

Shaft Sizes	Radial Load Rating in Lbs. at Various Revolutions Per Minute					
	50	100	200	500	1000	1500
1/2	230	225	220	175	120	110
5/8	250	240	230	180	125	105
3/4	260	250	240	185	130	100
7/8	280	270	260	190	145	95
15/16	380	360	290	200	150	90
1	420	400	300	210	160	85
1-3/16	500	475	395	250	135	115
1-1/4	525	500	415	260	140	120

Shaft Sizes	Radial Load Rating in Lbs. at Various Revolutions Per Minute				
	2000	2500	3000	3500	4000
1/2	90	80	60	50	45
5/8	80	65	55	45	35
3/4	70	55	50	35	...
7/8	60	50	45	...	...
15/16	55	45	40	...	...
1	50	40	...	...	...
1-3/16	60	...	...	...	...
1-1/4	63	...	...	...	...

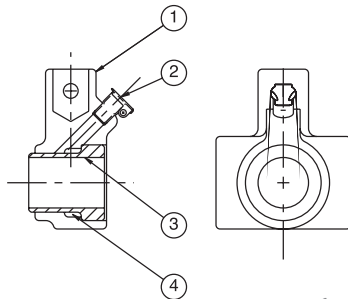
### BRONZOIL Take-Up Bearing Assembly

Size	(TUBO--) Assy.No.	1	2	3	4
1/2	<b>034030</b>	034001	405046	034013	444010
5/8	<b>034031</b>	034001	405046	034014	444010
3/4	<b>034032</b>	034001	405046	034015	444010
7/8	<b>034033</b>	034002	405046	034016	444010
15/16	<b>034034</b>	034002	405046	034017	444010
1	<b>034035</b>	034002	405046	034018	444010

Select a bearing from the rating tables having a radial load equal to or greater than the actual load providing normal operating conditions are met. If these conditions cannot be met, select a bearing for an equivalent radial load to be obtained by multiplying the actual radial load by a 2.0 to 4.0 service factor depending on specific application.

### Normal Operating Conditions:

1. Adequate oil supply.
2. Proper bearing alignment for uniform distribution of load at all operating conditions.
3. No shock loading.
4. No adversely high operating conditions.
5. No moist, corrosive, or abrasive atmosphere.
6. Shaft surface finish must be equal to that of commercial steel shafting. (About 32 micro inches)
7. Shaft diameter tolerance within  $+.000/-.002$ .
8. Maximum operating temperature 180°F.



1. BRONZOIL Housing
2. BRONZOIL Take-Up Oil Cup
3. BRONZOIL Bushing
4. BRONZOIL Permawick

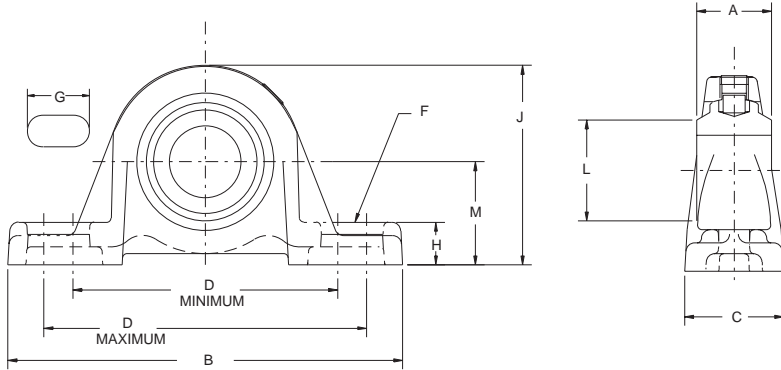


FEATURES/BENEFITS PAGE B13-2	SPECIFICATION/HTO PAGE B13-4	NOMENCLATURE PAGE B13-5	SELECTION/DIMENSIONS PAGE B13-14
---------------------------------	---------------------------------	----------------------------	-------------------------------------

# SELECTION/DIMENSIONS



## Sleeve Bearings - SOLIDLUBE 3/4" THRU 3" SOLIDLUBE LT PILLOW BLOCKS



Series	Shaft Size	700 SERIES			1000 SERIES			Used on Frame
		Part Number	Description	Wt.	Part Number	Description	Wt.	
204	3/4	<b>033667</b>	P2B-LT7-012	1.70	<b>033977</b>	P2B-LT10-012	1.70	LD-10
	20mm	<b>034225</b>	P2B-LT7-20M	0.77	<b>034234</b>	P2B-LT10-20M	0.77	LD-10
205	7/8	<b>033668</b>	P2B-LT7-014	1.60	<b>033978</b>	P2B-LT10-014	1.60	LD-10
	15/16	<b>033669</b>	P2B-LT7-015	1.50	<b>033979</b>	P2B-LT10-015	1.50	
	1	<b>033670</b>	P2B-LT7-100	1.40	<b>033980</b>	P2B-LT10-100	1.40	LD-10
	25mm	<b>034226</b>	P2B-LT7-25M	0.64	<b>034235</b>	P2B-LT10-25M	0.64	
206	1-1/8	<b>033672</b>	P2B-LT7-102	2.80	<b>033982</b>	P2B-LT10-102	2.80	LD-20
	1-3/16	<b>033673</b>	P2B-LT7-103	2.70	<b>033983</b>	P2B-LT10-103	2.70	
	30mm	<b>034227</b>	P2B-LT7-30M	1.22	<b>034236</b>	P2B-LT10-30M	1.22	
207	1-1/4	<b>033674</b>	P2B-LT7-104	4.20	<b>033984</b>	P2B-LT10-104	4.20	LD-20
	1-3/8	<b>033676</b>	P2B-LT7-106	3.90	<b>033986</b>	P2B-LT10-106	3.90	
	1-7/16	<b>033677</b>	P2B-LT7-107	3.80	<b>033987</b>	P2B-LT10-107	3.80	
	1-1/2	<b>033678</b>	P2B-LT7-108	3.70	<b>033988</b>	P2B-LT10-108	3.70	
	35mm	<b>034228</b>	P2B-LT7-35M	1.77	<b>034237</b>	P2B-LT10-35M	1.77	
209	1-11/16	<b>033680</b>	P2B-LT7-111	6.00	<b>033990</b>	P2B-LT10-111	6.00	LD-20
	1-3/4	<b>033681</b>	P2B-LT7-112	5.80	<b>033991</b>	P2B-LT10-112	5.80	
	40mm	<b>034229</b>	P2B-LT7-40M	2.72	<b>034238</b>	P2B-LT10-40M	2.72	LD-20
	45mm	<b>034230</b>	P2B-LT7-45M	2.63	<b>034239</b>	P2B-LT10-45M	2.63	
210	1-15/16	<b>033682</b>	P2B-LT7-115	6.80	<b>033992</b>	P2B-LT10-115	6.80	LD-30
	2	<b>033683</b>	P2B-LT7-200	6.60	<b>033993</b>	P2B-LT10-200	6.60	
	50mm	<b>034231</b>	P2B-LT7-50M	3.08	<b>034240</b>	P2B-LT10-50M	3.08	
211	2-3/16	<b>033684</b>	P2B-LT7-203	8.00	<b>033994</b>	P2B-LT10-203	8.00	LD-40
212	2-7/16	<b>033686</b>	P2B-LT7-207	10.10	<b>033996</b>	P2B-LT10-207	10.10	LD-40
	2-1/2	<b>033687</b>	P2B-LT7-208	9.80	<b>033997</b>	P2B-LT10-208	9.80	
	60mm	<b>034221</b>	P2B-LT7-60M	4.58	<b>034241</b>	P2B-LT10-60M	4.58	
215	2-15/16	<b>033688</b>	P2B-LT7-215	21.20	<b>033998</b>	P2B-LT10-215	21.20	LD-45
	3	<b>033077</b>	P2B-LT7-300	20.90	<b>033974</b>	P2B-LT10-300	20.90	
	70mm	<b>034232</b>	P2B-LT7-70M	9.98	<b>034242</b>	P2B-LT10-70M	9.98	
	75mm	<b>034233</b>	P2B-LT7-75M	9.62	<b>034243</b>	P2B-LT10-75M	9.62	

FEATURES/BENEFITS PAGE B13-2	SPECIFICATION/HTO PAGE B13-4	NOMENCLATURE PAGE B13-5	SELECTION PAGE B13-6
---------------------------------	---------------------------------	----------------------------	-------------------------

# SELECTION/DIMENSIONS



## Sleeve Bearings - SOLIDLUBE 3/4" THRU 3" SOLIDLUBE LT PILLOW BLOCKS

Series	Shaft Size	A	B	C	D		F Bolt Dia.	G	H	J	L	M
					Min.	Max.						
204	3/4	1	5-1/4	1-11/32	3-3/8	4-3/16	3/8	27/32	17/32	2-9/16	1-3/8	1-5/16
	20mm	25.4	133.4	34.1	85.7	106.4	10	21.4	13.5	65.1	34.9	33.3
205	7/8	1-1/16	5-1/2	1-13/32	3-11/16	4-1/2	3/8	27/32	19/32	2-25/32	1-9/16	1-7/16
	15/16 1 25mm	27.0	139.7	35.7	93.7	114.3	10	21.4	15.1	70.6	39.7	36.5
206	1-1/8	1-3/16	6-1/4	1-3/4	4-1/4	5	1/2	15/16	11/16	3-1/4	1-13/16	1-5/8
	1-3/16 30mm	30.2	158.8	44.5	108.0	127.0	12	23.8	17.5	82.6	46.0	41.3
207	1-1/4	1-5/16	6-1/2	1-3/4	4-11/16	5-7/16	1/2	15/16	23/32	3-3/4	2-1/8	1-7/8
	1-3/8 1-7/16 1-1/2 35mm											
209	1-11/16	1-9/16	7-7/16	2	5-1/2	6-3/16	1/2	29/32	3/4	4-9/32	2-9/16	2-1/8
	1-3/4 40mm 45mm	39.7	188.9	50.8	139.7	157.2	12	23.0	19.1	108.7	65.1	54.0
210	1-15/16	1-5/8	8-1/8	2-1/4	6	6-11/16	5/8	1-1/32	3/4	4-17/32	2-13/16	2-1/4
	2 50mm	41.3	206.4	57.1	152.4	170.0	16	26.2	19.1	115.1	71.4	57.2
211	2-3/16	1-3/4	8-7/8	2-5/16	6-3/8	7-7/16	5/8	1-7/32	7/8	4-31/32	3-1/8	2-1/2
212	2-7/16	1-13/16	9-1/2	2-3/8	6-7/8	7-15/16	5/8	1-7/32	7/8	5-13/32	3-1/2	2-3/4
	2-1/2 60mm											
215	2-15/16	2-23/32	11-3/4	2-7/8	8-1/2	9-1/2	7/8	1-7/16	1	6-3/4	3-15/16	3-1/2
	3 70mm 75mm											

All Dimensions Are In Millimeters Unless Otherwise Specified

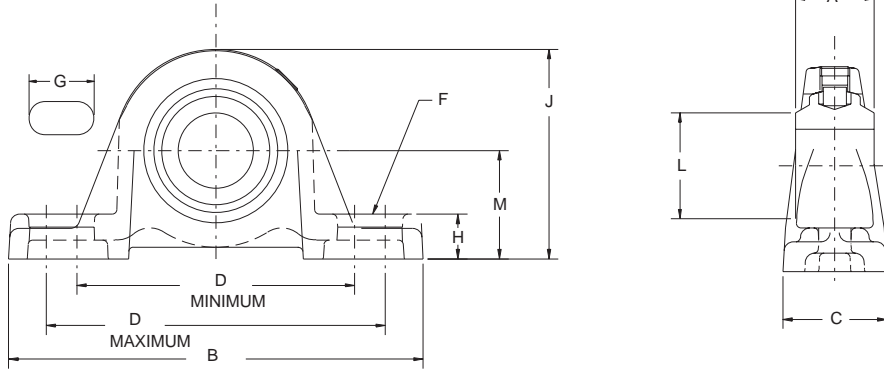
The LT and LTB Pillow Blocks Are Identical Except the LTB Pillow Blocks Have Lower Backing Dimensions

FEATURES/BENEFITS PAGE B13-2	SPECIFICATION/HTO PAGE B13-4	NOMENCLATURE PAGE B13-5	SELECTION PAGE B13-6
---------------------------------	---------------------------------	----------------------------	-------------------------

# SELECTION/DIMENSIONS



## Sleeve Bearings - SOLIDLUBE 3/4" THRU 3" SOLIDLUBE LTB PILLOW BLOCKS



Series	Shaft Size	700 SERIES			1000 SERIES			Used on Frame
		Part No.	Description	Wt.	Part No.	Description	Wt.	
204	3/4	<b>032940</b>	P2B-LTB7-012	1.6	<b>032970</b>	P2B-LTB10-012	1.6	LD-10
	20mm	<b>034244</b>	P2B-LTB7-20M	0.73	<b>034252</b>	P2B-LTB10-20M	0.73	LD-10
205	7/8	<b>032941</b>	P2B-LTB7-014	1.5	<b>032971</b>	P2B-LTB10-014	1.5	LD-10
	15/16	<b>032942</b>	P2B-LTB7-015	1.4	<b>032972</b>	P2B-LTB10-015	1.4	
	1	<b>032943</b>	P2B-LTB7-100	1.3	<b>032973</b>	P2B-LTB10-100	1.3	LD-10
	25mm	<b>034245</b>	P2B-LTB7-25M	0.59	<b>034253</b>	P2B-LTB10-25M	0.59	
206	1-1/8	<b>032945</b>	P2B-LTB7-102	2.7	<b>032975</b>	P2B-LTB10-102	2.7	LD-20
	1-3/16	<b>032946</b>	P2B-LTB7-103	2.6	<b>032976</b>	P2B-LTB10-103	2.6	
	30mm	<b>034246</b>	P2B-LTB7-30M	1.18	<b>034254</b>	P2B-LTB10-30M	1.18	
207	1-1/4	<b>032947</b>	P2B-LTB7-104	4	<b>032977</b>	P2B-LTB10-104	4	LD-20
	1-3/8	<b>032949</b>	P2B-LTB7-106	3.8	<b>032979</b>	P2B-LTB10-106	3.8	
	1-7/16	<b>032950</b>	P2B-LTB7-107	3.7	<b>032980</b>	P2B-LTB10-107	3.7	
	1-1/2	<b>032951</b>	P2B-LTB7-108	3.6	<b>032981</b>	P2B-LTB10-108	3.6	
	35mm	<b>034247</b>	P2B-LTB7-35M	1.72	<b>034255</b>	P2B-LTB10-35M	1.72	
209	1-11/16	<b>032953</b>	P2B-LTB7-111	5	<b>032983</b>	P2B-LTB10-111	5	LD-20
	1-3/4	<b>032954</b>	P2B-LTB7-112	4.8	<b>032984</b>	P2B-LTB10-112	4.8	
	40mm	<b>034248</b>	P2B-LTB7-40M	2.27	<b>034256</b>	P2B-LTB10-40M	2.27	LD-20
	45mm	<b>034249</b>	P2B-LTB7-45M	2.18	<b>034257</b>	P2B-LTB10-45M	2.18	
210	1-15/16	<b>032955</b>	P2B-LTB7-115	6	<b>032985</b>	P2B-LTB10-115	6	LD-30
	2	<b>032956</b>	P2B-LTB7-200	5.8	<b>032986</b>	P2B-LTB10-200	5.8	
	50mm	<b>034250</b>	P2B-LTB7-50M	2.72	<b>034258</b>	P2B-LTB10-50M	2.72	
211	2-3/16	<b>032957</b>	P2B-LTB7-203	6.5	<b>032987</b>	P2B-LTB10-203	6.5	LD-40
	2-7/16	<b>032959</b>	P2B-LTB7-207	8.1	<b>032989</b>	P2B-LTB10-207	8.1	
212	2-1/2	<b>032960</b>	P2B-LTB7-208	7.8	<b>032990</b>	P2B-LTB10-208	7.8	LD-40
	60mm	<b>034251</b>	P2B-LTB7-60M	3.67	<b>034259</b>	P2B-LTB10-60M	3.67	
215	2-15/16	<b>034596</b>	P2B-LTB7-215	18.7	<b>034598</b>	P2B-LTB10-215	18.7	LD-45
	3	<b>034597</b>	P2B-LTB7-300	18.4	<b>034599</b>	P2B-LTB10-300	18.4	
	70mm	....	....	....	....	....	....	LD-45
	75mm	....	....	....	....	....	....	

FEATURES/BENEFITS PAGE B13-2	SPECIFICATION/HTO PAGE B13-4	NOMENCLATURE PAGE B13-5	SELECTION PAGE B13-6
---------------------------------	---------------------------------	----------------------------	-------------------------

# SELECTION/DIMENSIONS



## Sleeve Bearings - SOLIDLUBE 3/4" THRU 3" SOLIDLUBE LTB PILLOW BLOCKS

Series Size	Shaft	A	B	C	D		F Bolt Dia.	G	H	J	L	M											
					Min.	Max.																	
204	3/4	1	5-1/4	1-11/32	3-3/8	4-3/16	3/8	27/32	15/32	2-1/2	1-3/8	1-1/4											
	20mm	25.4	133.4	34.1	85.7	106.4	10	21.4	11.9	63.5	34.9	31.8											
205	7/8	1-1/16	5-1/2	1-13/32	3-11/16	4-1/2	3/8	27/32	15/32	2-21/32	1-9/16	1-5/16											
	15/16												27.0	139.7	35.7	93.7	114.3	10	21.4	11.9	67.5	39.7	33.3
	1												25mm	27.0	139.7	35.7	93.7	114.3	10	21.4	11.9	67.5	39.7
206	1-1/8	1-3/16	6-1/4	1-3/4	4-1/4	5	1/2	15/16	5/8	3-3/16	1-13/16	1-9/16											
	1-3/16												30.2	158.8	44.5	108.0	127.0	12	23.8	15.9	81.0	46.0	39.7
	30mm												30.2	158.8	44.5	108.0	127.0	12	23.8	15.9	81.0	46.0	39.7
207	1-1/4	1-5/16	6-1/2	1-3/4	4-11/16	5-7/16	1/2	15/16	21/32	3-11/16	2-1/8	1-13/16											
	1-3/8												33.3	165.1	44.5	119.1	138.1	12	23.8	16.7	93.7	54.0	46.0
	1-7/16												33.3	165.1	44.5	119.1	138.1	12	23.8	16.7	93.7	54.0	46.0
209	1-1/2	1-9/16	7-7/16	2	5-1/2	6-3/16	1/2	29/32	11/16	4-7/32	2-9/16	2-1/16											
	1-11/16												39.7	188.9	50.8	139.7	157.2	12	23.0	17.5	107.2	65.1	52.4
	1-3/4												39.7	188.9	50.8	139.7	157.2	12	23.0	17.5	107.2	65.1	52.4
210	40mm	1-5/8	8-1/8	2-1/4	6	6-11/16	5/8	1-1/32	11/16	4-15/32	2-13/16	2-3/16											
	45mm												41.3	206.4	57.1	152.4	170.0	16	26.2	17.5	113.5	71.4	55.6
	50mm												41.3	206.4	57.1	152.4	170.0	16	26.2	17.5	113.5	71.4	55.6
211	2-3/16	1-3/4	8-7/8	2-5/16	6-3/8	7-7/16	5/8	1-7/32	13/16	4-29/32	3-1/8	2-7/16											
212	2-7/16	1-13/16	9-1/2	2-3/8	6-7/8	7-15/16	5/8	1-7/32	13/16	5-11/32	3-1/2	2-11/16											
	2-1/2												46.0	241.3	60.3	174.6	201.6	16	31.0	20.6	135.7	88.9	68.3
	60mm												46.0	241.3	60.3	174.6	201.6	16	31.0	20.6	135.7	88.9	68.3
215	2-15/16	2-23/32	11-3/4	2-7/8	8-1/2	9-1/2	7/8	1-7/16	1-1/16	6-9/16	3-15/16	3-5/16											
	3												69.1	298.5	73.0	215.9	241.3	22	36.5	....	....	100.0	....
	70mm												69.1	298.5	73.0	215.9	241.3	22	36.5	....	....	100.0	....
	75mm	69.1	298.5	73.0	215.9	241.3	22	36.5	....	....	100.0	....											

All Dimensions Are In Millimeters Unless Otherwise Specified

The LT and LTB Pillow Blocks are Identical Except the LTB Pillow Blocks Have Lower backing Dimensions.

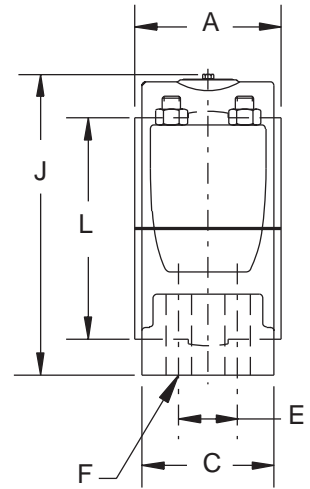
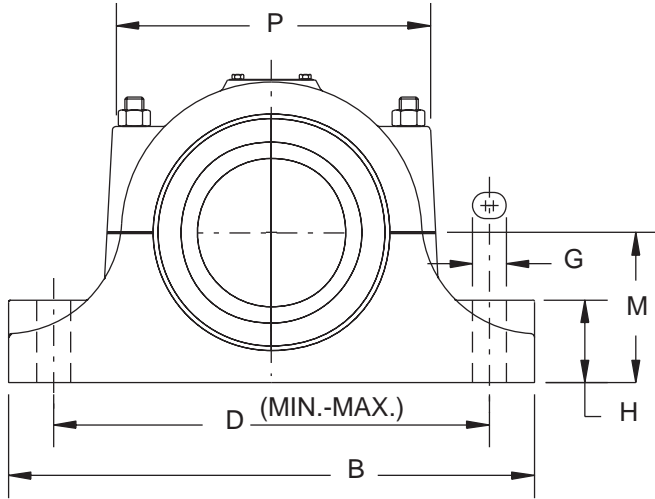
FEATURES/BENEFITS PAGE B13-2	SPECIFICATION/HTO PAGE B13-4	NOMENCLATURE PAGE B13-5	SELECTION PAGE B13-6
---------------------------------	---------------------------------	----------------------------	-------------------------



# SELECTION/DIMENSIONS

**DODGE**

## Sleeve Bearings - SOLIDLUBE 3-7/16" THRU 5" SOLIDLUBE MM PILLOW BLOCKS



Shaft Size	700 Series		1000 Series		Wt.	Used On Frame	A	B	C
	Part No.	Description	Part No.	Description					
3-7/16	<b>033247</b>	P2B-MM7-307	<b>033347</b>	P2B-MM10-307	23.00	HD-250	3-1/2	12	2-13/16
3-1/2	<b>033251</b>	P2B-MM7-308	<b>033351</b>	P2B-MM10-308	22.80				
3-15/16	<b>033475</b>	P2B-MM7-315	<b>033480</b>	P2B-MM10-315	36.00	HD-300	4	13-7/16	3-3/16
4	<b>033485</b>	P2B-MM7-400	<b>033490</b>	P2B-MM10-400	35.80				
4-7/16	<b>033500</b>	P2B-MM7-407	<b>033505</b>	P2B-MM10-407	60.00	HD-350	4-1/2	16	3-7/16
4-1/2	<b>033510</b>	P2B-MM7-408	<b>033515</b>	P2B-MM10-408	59.70				
4-15/16	<b>033525</b>	P4B-MM7-415	<b>033530</b>	P4B-MM10-415	92.00	HD-400	5	17-7/16	4-3/4
5	<b>033535</b>	P4B-MM7-500	<b>033540</b>	P4B-MM10-500	91.50				

Shaft Size	D		2 Bolt Base	4 Bolt Base		G	H	J	L	M	P
	Min.	Max.	F Bolt Dia.	E	F Bolt Dia.						
3-7/16	9-1/4	10-1/4	5/8	...	...	1-1/4	1-3/4	7	4-7/8	3-1/4	7- 1/4
3-1/2											
3-15/16	9-7/8	11-1/2	3/4	...	...	1-11/16	2	7-15/16	5-5/8	3-3/4	8-3/16
4											
4-7/16	12-13/16	13-13/16	7/8	...	...	1-1/2	2-1/4	9-7/16	6-15/16	4-1/2	10
4-1/2											
4-15/16	13-1/8	14-3/4	...	2	3/4	1-11/16	2-3/4	10-1/2	7-9/16	5	10-5/8
5											

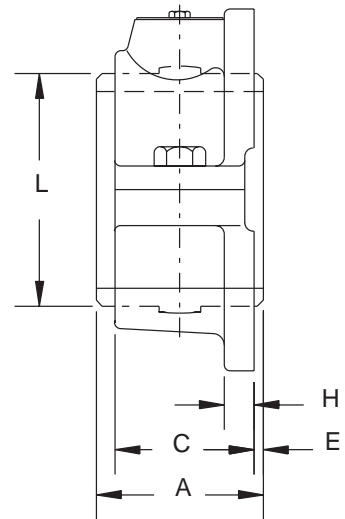
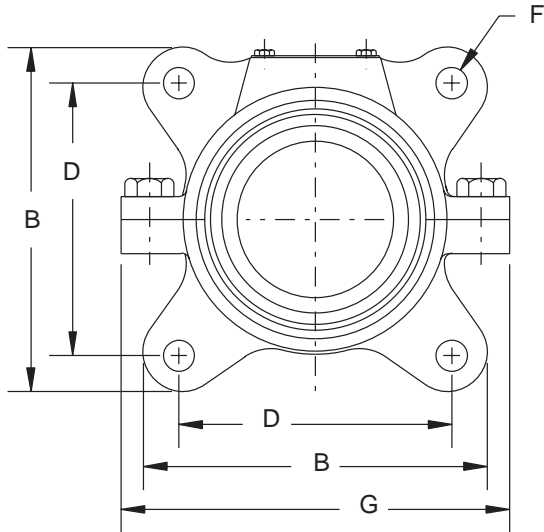
◆ No Published Metric Dimensions For This Product

FEATURES/BENEFITS PAGE B13-2	SPECIFICATION/HTO PAGE B13-4	NOMENCLATURE PAGE B13-5	SELECTION PAGE B13-6
---------------------------------	---------------------------------	----------------------------	-------------------------

# SELECTION/DIMENSIONS



## Sleeve Bearings - SOLIDLUBE 3-7/16" THRU 5" SOLIDLUBE MM 4-BOLT FLANGE BEARINGS



Shaft Size	700 Series		1000 Series		Wt.
	Part No.	Description	Part No.	Description	
3-7/16	<b>033323</b>	F4B-MM7-307	<b>033868</b>	F4B-MM10-307	17.00
3-1/2	<b>033321</b>	F4B-MM7-308	<b>033931</b>	F4B-MM10-308	18.00
3-15/16	<b>032923</b>	F4B-MM7-315	<b>033899</b>	F4B-MM10-315	26.00
4	<b>032937</b>	F4B-MM7-400	<b>033932</b>	F4B-MM10-400	
4-7/16	<b>033862</b>	F4B-MM7-407	<b>033933</b>	F4B-MM10-407	42.00
4-1/2	<b>033863</b>	F4B-MM7-408	<b>033934</b>	F4B-MM10-408	
4-15/16	<b>033929</b>	F4B-MM7-415	<b>033869</b>	F4B-MM10-415	62.00
5	<b>033930</b>	F4B-MM7-500	<b>033867</b>	F4B-MM10-500	

Shaft Size	A	B	C	D	E	F	G	H	L
3-7/16	3-1/2	7-5/8	2-59/64	6	3/16	5/8	8-9/16	5/8	4-7/8
3-1/2	4	8-7/8	3-11/32	6-7/8	1/4	3/4	9-1/2	11/16	5-5/8
3-15/16	4-1/2	10-1/4	3-23/32	8-1/8	1/4	7/8	11-3/8	3/4	6-15/16
4	5	11-7/16	4-5/8	9-3/16	1/8	1	12-7/8	13/16	7-9/16

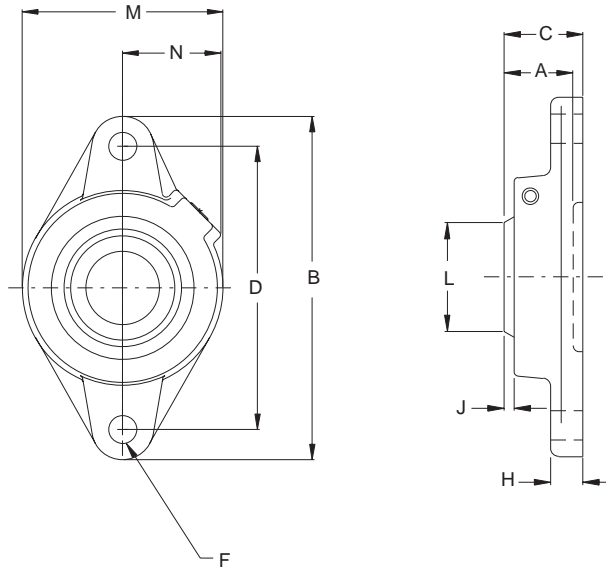
◆ No Published Metric Dimensions For This Product

FEATURES/BENEFITS PAGE B13-2	SPECIFICATION/HTO PAGE B13-4	NOMENCLATURE PAGE B13-5	SELECTION PAGE B13-6
---------------------------------	---------------------------------	----------------------------	-------------------------

# SELECTION/DIMENSIONS



## Sleeve Bearings - SOLIDLUBE 3/4" THRU 2" SOLIDLUBE LT 2-BOLT FLANGE BEARING



Series	Shaft Size	700 Series			1000 Series		
		Part No.	Description	Wt.	Part No.	Description	Wt.
204	3/4	<b>033085</b>	F2B-LT7-012	1.2	<b>033185</b>	F2B-LT10-012	1.2
	20mm	<b>034260</b>	F2B-LT7-20M	0.54	<b>034266</b>	F2B-LT10-20M	0.54
205	7/8	<b>033086</b>	F2B-LT7-014	1.7	<b>033186</b>	F2B-LT10-014	1.7
	15/16	<b>033087</b>	F2B-LT7-015	1.6	<b>033187</b>	F2B-LT10-015	1.6
	1	<b>033088</b>	F2B-LT7-100	1.5	<b>033188</b>	F2B-LT10-100	1.5
	25mm	<b>034261</b>	F2B-LT7-25M	0.68	<b>034267</b>	F2B-LT10-25M	0.68
206	1-1/8	<b>033089</b>	F2B-LT7-102	2.2	<b>033189</b>	F2B-LT10-102	2.2
	1-3/16	<b>033090</b>	F2B-LT7-103	2.1	<b>033190</b>	F2B-LT10-103	2.1
	30mm	<b>034262</b>	F2B-LT7-30M	0.95	<b>034268</b>	F2B-LT10-30M	0.95
207	1-1/4	<b>033091</b>	F2B-LT7-104	3.6	<b>033191</b>	F2B-LT10-104	3.6
	1-3/8	<b>033092</b>	F2B-LT7-106	3.3	<b>033192</b>	F2B-LT10-106	3.3
	1-7/16	<b>033093</b>	F2B-LT7-107	3.2	<b>033193</b>	F2B-LT10-107	3.2
	1-1/2	<b>033094</b>	F2B-LT7-108	3.1	<b>033194</b>	F2B-LT10-108	3.1
	35mm	<b>034263</b>	F2B-LT7-35M	1.5	<b>034269</b>	F2B-LT10-35M	1.5
209	1-11/16	<b>033095</b>	F2B-LT7-111	4.9	<b>033195</b>	F2B-LT10-111	4.9
	1-3/4	<b>033096</b>	F2B-LT7-112	4.7	<b>033196</b>	F2B-LT10-112	4.7
	40mm	<b>034218</b>	F2B-LT7-40M	2.22	<b>034270</b>	F2B-LT10-40M	2.22
	45mm	<b>034264</b>	F2B-LT7-45M	2.13	<b>034271</b>	F2B-LT10-45M	2.13
210	1-15/16	<b>033097</b>	F2B-LT7-115	5.4	<b>033197</b>	F2B-LT10-115	5.4
	2	<b>033098</b>	F2B-LT7-200	5.2	<b>033198</b>	F2B-LT10-200	5.2
	50mm	<b>034265</b>	F2B-LT7-50M	2.36	<b>034272</b>	F2B-LT10-50M	2.36

FEATURES/BENEFITS  
PAGE B13-2

SPECIFICATION/HTO  
PAGE B13-4

NOMENCLATURE  
PAGE B13-5

SELECTION  
PAGE B13-6



# SELECTION/DIMENSIONS



## Sleeve Bearings - SOLIDLUBE 3/4" THRU 2" SOLIDLUBE LT 2-BOLT FLANGE BEARING

Series	Shaft Size	A	B	C	D	F Bolt Dia.	H	J	L	M	N
204	3/4	29/32	4-13/16	1-1/8	3-17/32	3/8	1/2	5/32	1-3/8	2-3/8	1-1/2
	20mm	23.0	122.2	28.6	89.7	3/8	12.7	4.0	34.9	60.3	38.1
205	7/8	63/64	4-7/8	1-1/8	3-57/64	7/16	1/2	5/32	1-9/16	2-3/4	1-7/16
	15/16										
	1										
206	25mm	25.4	123.8	28.6	98.8	7/16	12.7	4.0	39.7	69.9	36.5
	1-1/8	1-7/64	5-9/16	1-7/32	4-19/32	7/16	1/2	5/32	1-13/16	3-1/8	1-9/16
	1-3/16										
207	30mm	28.2	141.3	31.0	116.7	7/16	12.7	4.0	46.0	79.4	39.7
	1-1/4	1-7/32	6-1/8	1-3/8	5-1/8	1/2	9/16	5/32	2-1/8	3-3/4	1-27/32
	1-3/8										
209	1-7/16										
	1-1/2										
	35mm	31.0	155.6	34.9	130.2	1/2	14.3	4.0	54.0	95.3	46.8
210	1-11/16	1-21/64	7-1/16	1-19/32	5-27/32	1/2	5/8	3/16	2-9/16	4-3/8	1-29/32
	1-3/4										
	40mm	33.7	179.4	40.5	148.4	1/2	15.9	4.8	65.1	111.1	48.4
210	45mm										
	1-15/16	1-13/32	7-7/16	1-21/32	6-3/16	1/2	5/8	3/16	2-13/16	4-9/32	2-1/32
	2										
	50mm	35.7	188.9	42.1	157.2	1/2	15.9	4.8	71.4	108.7	51.6

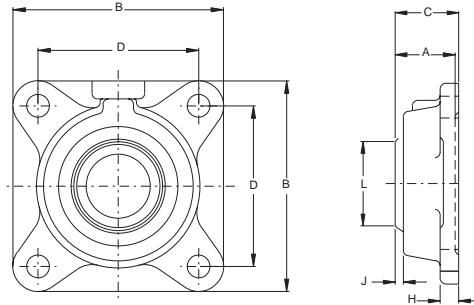
FEATURES/BENEFITS PAGE B13-2	SPECIFICATION/HTO PAGE B13-4	NOMENCLATURE PAGE B13-5	SELECTION PAGE B13-6
---------------------------------	---------------------------------	----------------------------	-------------------------



# SELECTION/DIMENSIONS



## Sleeve Bearings - SOLIDLUBE 3/4" THRU 3" SOLIDLUBE LT 4-BOLT FLANGE BEARING



Series	Shaft Size	700 Series			1000 Series		
		Part No.	Description	Wt.	Part No.	Description	Wt.
204	3/4	<b>033260</b>	F4B-LT7-012	1.5	<b>033200</b>	F4B-LT10-012	1.5
	20mm	<b>034273</b>	F4B-LT7-20M	0.68	<b>034283</b>	F4B-LT10-20M	0.6
205	7/8	<b>033261</b>	F4B-LT7-014	2.2	<b>033201</b>	F4B-LT10-014	2.2
	15/16	<b>033262</b>	F4B-LT7-015	2.1	<b>033202</b>	F4B-LT10-015	2.1
	1	<b>033263</b>	F4B-LT7-100	2	<b>033203</b>	F4B-LT10-100	2
	25mm	<b>034274</b>	F4B-LT7-25M	0.91	<b>034284</b>	F4B-LT10-25M	0.91
206	1-1/8	<b>033264</b>	F4B-LT7-102	2.9	<b>033204</b>	F4B-LT10-102	2.9
	1-3/16	<b>033265</b>	F4B-LT7-103	2.8	<b>033205</b>	F4B-LT10-103	2.8
	30mm	<b>034275</b>	F4B-LT7-30M	1.27	<b>034285</b>	F4B-LT10-30M	1.27
207	1-1/4	<b>033266</b>	F4B-LT7-104	4.3	<b>033206</b>	F4B-LT10-104	4.3
	1-3/8	<b>033267</b>	F4B-LT7-106	4	<b>033207</b>	F4B-LT10-106	4
	1-7/16	<b>033268</b>	F4B-LT7-107	3.9	<b>033208</b>	F4B-LT10-107	3.9
	1-1/2	<b>033269</b>	F4B-LT7-108	3.8	<b>033209</b>	F4B-LT10-108	3.8
	35mm	<b>034276</b>	F4B-LT7-35M	1.81	<b>034286</b>	F4B-LT10-35M	1.81
209	1-11/16	<b>033270</b>	F4B-LT7-111	5.8	<b>033210</b>	F4B-LT10-111	5.8
	1-3/4	<b>033271</b>	F4B-LT7-112	5.6	<b>033211</b>	F4B-LT10-112	5.6
	40mm	<b>034277</b>	F4B-LT7-40M	2.63	<b>034287</b>	F4B-LT10-40M	2.63
	45mm	<b>034278</b>	F4B-LT7-45M	2.54	<b>034288</b>	F4B-LT10-45M	2.54
210	1-15/16	<b>033272</b>	F4B-LT7-115	6.8	<b>033212</b>	F4B-LT10-115	6.8
	2	<b>033273</b>	F4B-LT7-200	6.6	<b>033213</b>	F4B-LT10-200	6.6
	50mm	<b>034279</b>	F4B-LT7-50M	3	<b>034289</b>	F4B-LT10-50M	3
211	2-3/16	<b>033274</b>	F4B-LT7-203	8.5	<b>033214</b>	F4B-LT10-203	8.5
212	2-7/16	<b>033275</b>	F4B-LT7-207	11	<b>033215</b>	F4B-LT10-207	11
	2-1/2	<b>033276</b>	F4B-LT7-208	10.8	<b>033216</b>	F4B-LT10-208	10.8
	60mm	<b>034280</b>	F4B-LT7-60M	5	<b>034290</b>	F4B-LT10-60M	5
215	2-15/16	<b>033277</b>	F4B-LT7-215	18	<b>033217</b>	F4B-LT10-215	18
	3	<b>033278</b>	F4B-LT7-300	17.7	<b>033218</b>	F4B-LT10-300	17.7
	70mm	<b>034281</b>	F4B-LT7-70M	8.16	<b>034291</b>	F4B-LT10-70M	8.16
	75mm	<b>034282</b>	F4B-LT7-75M	8.03	<b>034292</b>	F4B-LT10-75M	8.03

FEATURES/BENEFITS  
PAGE B13-2

SPECIFICATION/HTO  
PAGE B13-4

NOMENCLATURE  
PAGE B13-5

SELECTION  
PAGE B13-6

# SELECTION/DIMENSIONS



## Sleeve Bearings - SOLIDLUBE 3/4" THRU 3" SOLIDLUBE LT 4-BOLT FLANGE BEARING

Series	Shaft Size	A	B	C	D	F Bolt	H	J	L
204	3/4	29/32	3-3/8	1-1/8	2-1/2	3/8	7/16	5/32	1-3/8
	20mm	23.0	85.7	28.6	63.5	10.0	11.1	3.2	34.9
205	7/8	63/64	3-3/4	1-1/8	2-3/4	7/16	1/2	3/16	1-9/16
	15/16 1 25mm	25.4	95.2	28.6	69.9	10.0	12.7	4.8	39.7
206	1-1/8	31/32	4-1/4	1-7/32	3-1/4	7/16	1/2	5/32	1-13/16
	1-3/16 30mm	28.2	108.0	31.0	82.6	10.0	12.7	4.0	46.0
207	1-1/4	1-7/32	4-3/4	1-3/8	3-5/8	1/2	9/16	5/32	2-1/8
	1-3/8 1-7/16 1-1/2 35mm	31.0	120.7	34.9	92.1	12.0	14.3	4.0	54.0
209	1-11/16	1-11/32	5-3/8	1-19/32	4-1/8	1/2	5/8	13/64	2-9/16
	1-3/4 40mm 45mm	33.7	136.5	40.5	104.8	12.0	15.9	4.8	65.1
210	1-15/16	1-13/32	5-5/8	1-21/32	4-3/8	1/2	5/8	7/32	2-13/16
	2 50mm	35.7	142.9	42.1	111.1	12.0	15.9	4.8	71.4
211	2-3/16	1-17/32	6-1/2	1-25/32	5-1/8	5/8	11/16	7/32	3-1/8
212	2-7/16	1-15/32	7	1-31/32	5-5/8	5/8	11/16	11/64	3-1/2
	2-1/2 60mm	41.3	177.8	47.6	142.9	16.0	17.5	4.0	88.9
215	2-15/16	2-23/32	7-3/4	2-3/4	6	3/4	1	17/32	3-15/16
	3 70mm 75mm	61.1	196.9	70.6	152.4	18.0	25.4	13.5	100.0

All Dimensions Are in Millimeters Unless Otherwise Specified.

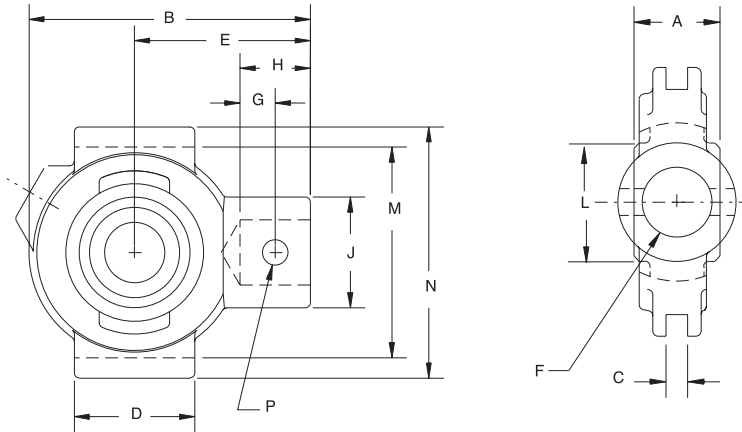
FEATURES/BENEFITS PAGE B13-2	SPECIFICATION/HTO PAGE B13-4	NOMENCLATURE PAGE B13-5	SELECTION PAGE B13-6
---------------------------------	---------------------------------	----------------------------	-------------------------

# SELECTION/DIMENSIONS



## Sleeve Bearings - SOLIDLUBE

### 3/4" THRU 2-1/2" SOLIDLUBE LT NARROW SLOT TAKE-UP BEARINGS



Series	Shaft Size	LT700			LT1000			Used on Frame
		Part No.	Description	Wt.	Part No.	Description	Wt.	
204	3/4	<b>033810</b>	NSTU-LT7-012	1.7	<b>033840</b>	NSTU-LT10-012	1.7	NS-210
	20mm	<b>034293</b>	NSTU-LT7-20M	0.77	<b>034303</b>	NSTU-LT10-20M	0.77	WS-300
205	7/8	<b>033811</b>	NSTU-LT7-014	1.9	<b>033841</b>	NSTU-LT10-014	1.9	NS-210
	15/16	<b>033812</b>	NSTU-LT7-015	1.8	<b>033842</b>	NSTU-LT10-015	1.8	
	1	<b>033813</b>	NSTU-LT7-100	1.7	<b>033843</b>	NSTU-LT10-100	1.7	WS-300
	25mm	<b>034294</b>	NSTU-LT7-25M	0.77	<b>034304</b>	NSTU-LT10-25M	0.77	
206	1-1/8	<b>033814</b>	NSTU-LT7-102	2.8	<b>033844</b>	NSTU-LT10-102	2.8	NS-308
	1-3/16	<b>033815</b>	NSTU-LT7-103	2.7	<b>033845</b>	NSTU-LT10-103	2.7	WS-308
	30mm	<b>034295</b>	NSTU-LT7-30M	1.22	<b>034305</b>	NSTU-LT10-30M	1.22	
207	1-1/4	<b>033816</b>	NSTU-LT7-104	3.2	<b>033846</b>	NSTU-LT10-104	3.2	NS-308
	1-3/8	<b>033817</b>	NSTU-LT7-106	3.0	<b>033847</b>	NSTU-LT10-106	3.0	
	1-7/16	<b>033818</b>	NSTU-LT7-107	2.9	<b>033848</b>	NSTU-LT10-107	2.9	
	1-1/2	<b>033819</b>	NSTU-LT7-108	2.8	<b>033849</b>	NSTU-LT10-108	2.8	WS-308
	35mm	<b>034296</b>	NSTU-LT7-35M	1.36	<b>034306</b>	NSTU-LT10-35M	1.36	
209	1-11/16	<b>033820</b>	NSTU-LT7-111	4.9	<b>033850</b>	NSTU-LT10-111	4.9	NS-400
	1-3/4	<b>033821</b>	NSTU-LT7-112	4.8	<b>033851</b>	NSTU-LT10-112	4.8	WS-400
	40mm	<b>034297</b>	NSTU-LT7-40M	2.22	<b>034307</b>	NSTU-LT10-40M	2.22	
	45mm	<b>034298</b>	NSTU-LT7-45M	2.18	<b>034308</b>	NSTU-LT10-45M	2.18	
210	1-15/16	<b>033822</b>	NSTU-LT7-115	5.5	<b>033852</b>	NSTU-LT10-115	5.5	NS-400
	2	<b>033823</b>	NSTU-LT7-200	5.3	<b>033853</b>	NSTU-LT10-200	5.3	WS-400
	50mm	<b>034299</b>	NSTU-LT7-50M	2.4	<b>034309</b>	NSTU-LT10-50M	2.4	
211	2-3/16	<b>033824</b>	NSTU-LT7-203	6.7	<b>033854</b>	NSTU-LT10-203	6.7	NS-407
212	2-7/16	<b>033825</b>	NSTU-LT7-207	7.4	<b>033855</b>	NSTU-LT10-207	7.4	NS-415
	2-1/2	<b>033826</b>	NSTU-LT7-208	7.0	<b>033856</b>	NSTU-LT10-208	7.0	
	60mm	<b>034300</b>	NSTU-LT7-60M	3.18	<b>034310</b>	NSTU-LT10-60M	3.18	WS-502

FEATURES/BENEFITS PAGE B13-2	SPECIFICATION/HTO PAGE B13-4	NOMENCLATURE PAGE B13-5	SELECTION PAGE B13-6
---------------------------------	---------------------------------	----------------------------	-------------------------

# SELECTION/DIMENSIONS



## Sleeve Bearings - SOLIDLUBE 3/4" THRU 2-1/2" SOLIDLUBE LT NARROW SLOT TAKE-UP BEARINGS

Series	Shaft Size	A	B	C	D	E	F Screw Dia.	G
204	3/4	1	3-1/2	1/4	1-1/2	2-3/16	3/4	7/16
	20mm	25.4	88.9	6.4	38.1	55.6	3/4	11.1
205	7/8, 15/16, 1	1-1/16	3-9/16	1/4	1-1/2	2-3/16	3/4	7/16
	25mm	27	90.5	6.4	38.1	55.6	3/4	11.1
206	1-1/8	1-3/16	4-5/16	1/4	2-1/2	2-11/16	3/4	7/16
	1-3/16							
207	30mm	30.2	109.5	6.4	63.5	68.3	3/4	11.1
	1-1/4, 1-3/8, 1-7/16, 1-1/2	1-5/16	4-1/2	1/4	2-1/2	2-11/16	3/4	7/16
209	35mm	33.3	114.3	6.4	63.5	68.3	3/4	11.1
	1-11/16, 1-3/4	1-9/16	5-7/16	5/16	3	3-1/4	7/8	1/2
210	40mm	39.7	138.1	7.9	76.2	82.6	7/8	12.7
	45mm							
211	1-15/16, 2	1-5/8	5-1/2	5/16	3	3-1/4	7/8	1/2
	50mm	41.3	139.7	7.9	76.2	82.6	7/8	12.7
212	2-3/16	1-3/4	6-1/8	5/16	3-1/2	3-5/8	1	19/32
	2-7/16, 2-1/2	1-13/16	6-11/16	5/16	3-3/4	3-7/8	1	19/32
	60mm	46	169.9	7.9	95.3	95.3	1	15.1

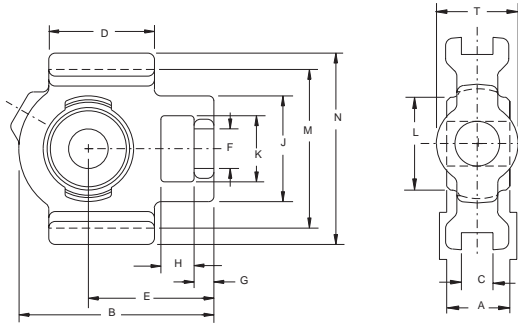
Series	Shaft Size	H	J	L	M	N	P Pin Dia.
204	3/4	7/8	1-3/8	1-3/8	2-5/8	3-1/8	5/16
	20mm	22.2	34.9	34.9	66.7	79.4	5/16
205	7/8, 15/16, 1	7/8	1-3/8	1-9/16	2-5/8	3-1/8	5/16
	25mm	22.2	34.9	39.7	66.7	79.4	5/16
206	1-1/8	15/16	1-3/8	1-13/16	3-1/2	4-1/8	5/16
	1-3/16						
207	30mm	23.8	34.9	46.0	88.9	104.8	5/16
	1-1/4, 1-3/8, 1-7/16, 1-1/2	15/16	1-3/8	2-1/8	3-1/2	4-1/8	5/16
209	35mm	23.8	34.9	54.0	88.9	104.8	5/16
	1-11/16, 1-3/4	1-7/32	1-5/8	2-9/16	4	4-3/4	3/8
210	40mm	31.0	41.3	65.1	101.6	120.7	3/8
	45mm						
211	1-15/16, 2	1-3/32	1-5/8	2-13/16	4	4-3/4	3/8
	50mm	27.8	41.3	71.4	101.6	120.7	3/8
212	2-3/16	1-9/32	1-5/8	3-1/2	4-15/16	5-3/4	7/16
	2-7/16, 2-1/2	1-9/32	1-3/4	3-1/8	4-7/16	5-3/8	7/16
	60mm	32.5	41.3	88.9	125.4	146.1	7/16

FEATURES/BENEFITS PAGE B13-2	SPECIFICATION/HTO PAGE B13-4	NOMENCLATURE PAGE B13-5	SELECTION PAGE B13-6
---------------------------------	---------------------------------	----------------------------	-------------------------

# SELECTION/DIMENSIONS



## Sleeve Bearings - SOLIDLUBE 3/4" THRU 3" SOLIDLUBE LT WIDE SLOT TAKE-UP BEARINGS



Series	Shaft Size	LT700			LT1000			Used on Frame
		Part No.	Description	Wt.	Part No.	Description	Wt.	
204	3/4	<b>033870</b>	WSTU-LT7-012	2.4	<b>033910</b>	WSTU-LT10-012	2.4	WS-300
	20mm	<b>034313</b>	WSTU-LT7-20M	1.09	<b>034323</b>	WSTU-LT10-20M	1.09	WS-300
205	7/8	<b>033871</b>	WSTU-LT7-014	2.6	<b>033911</b>	WSTU-LT10-014	2.6	WS-300
	15/16	<b>033872</b>	WSTU-LT7-015	2.5	<b>033912</b>	WSTU-LT10-015	2.5	
	1	<b>033873</b>	WSTU-LT7-100	2.4	<b>033913</b>	WSTU-LT10-100	2.4	WS-300
	25mm	<b>034314</b>	WSTU-LT7-25M	1.09	<b>034324</b>	WSTU-LT10-25M	1.09	
206	1-1/8	<b>033874</b>	WSTU-LT7-102	3.2	<b>033914</b>	WSTU-LT10-102	3.2	WS-308
	1-3/16	<b>033875</b>	WSTU-LT7-103	3.1	<b>033915</b>	WSTU-LT10-103	3.1	
207	30mm	<b>034315</b>	WSTU-LT7-30M	1.41	<b>034325</b>	WSTU-LT10-30M	1.41	WS-308
	1-1/4	<b>033876</b>	WSTU-LT7-104	4.2	<b>033916</b>	WSTU-LT10-104	4.2	
	1-3/8	<b>033877</b>	WSTU-LT7-106	3.9	<b>033917</b>	WSTU-LT10-106	3.9	
	1-7/16	<b>033878</b>	WSTU-LT7-107	3.8	<b>033918</b>	WSTU-LT10-107	3.8	
	1-1/2	<b>033879</b>	WSTU-LT7-108	3.7	<b>033919</b>	WSTU-LT10-108	3.7	
209	35mm	<b>034316</b>	WSTU-LT7-35M	1.77	<b>034326</b>	WSTU-LT10-35M	1.77	WS-308
	1-11/16	<b>033880</b>	WSTU-LT7-111	6.1	<b>033920</b>	WSTU-LT10-111	6.1	
	1-3/4	<b>033881</b>	WSTU-LT7-112	6	<b>033921</b>	WSTU-LT10-112	6	
210	40mm	<b>034317</b>	WSTU-LT7-40M	2.77	<b>034327</b>	WSTU-LT10-40M	2.77	WS-400
	45mm	<b>034318</b>	WSTU-LT7-45M	2.72	<b>034328</b>	WSTU-LT10-45M	2.72	
	1-15/16	<b>033882</b>	WSTU-LT7-115	6.7	<b>033922</b>	WSTU-LT10-115	6.7	
211	2	<b>033883</b>	WSTU-LT7-200	6.5	<b>033923</b>	WSTU-LT10-200	6.5	WS-400
	50mm	<b>034319</b>	WSTU-LT7-50M	2.95	<b>034329</b>	WSTU-LT10-50M	2.95	
212	2-3/16	<b>033884</b>	WSTU-LT7-203	9.8	<b>033924</b>	WSTU-LT10-203	9.8	WS-502
	2-7/16	<b>033885</b>	WSTU-LT7-207	10.1	<b>033925</b>	WSTU-LT10-207	10.1	
	2-1/2	<b>033886</b>	WSTU-LT7-208	9.8	<b>033926</b>	WSTU-LT10-208	9.8	
215	60mm	<b>034320</b>	WSTU-LT7-60M	4.58	<b>034330</b>	WSTU-LT10-60M	4.58	WS-502
	2-15/16	<b>033887</b>	WSTU-LT7-215	13	<b>033927</b>	WSTU-LT10-215	13	
	3	<b>033888</b>	WSTU-LT7-300	12.5	<b>033928</b>	WSTU-LT10-300	12.5	
	70mm	<b>034321</b>	WSTU-LT7-70M	5.9	<b>034331</b>	WSTU-LT10-70M	5.9	
215	75mm	<b>034322</b>	WSTU-LT7-75M	5.67	<b>034332</b>	WSTU-LT10-75M	5.67	WS-515

FEATURES/BENEFITS PAGE B13-2	SPECIFICATION/HTO PAGE B13-4	NOMENCLATURE PAGE B13-5	SELECTION PAGE B13-6
---------------------------------	---------------------------------	----------------------------	-------------------------

# SELECTION/DIMENSIONS



## Sleeve Bearings - SOLIDLUBE 3/4" THRU 3 SOLIDLUBE LT WIDE SLOT TAKE-UP BEARINGS

Series	Shaft Size	A	B	C	D	E	F Dia.	G
204	3/4	1	3-11/16	17/32	2	2-3/8	3/4	3/8
	20mm	25.4	93.7	13.5	50.8	60.3	3/4	9.5
205	7/8, 15/16, 1	1-1/16	3-13/16	17/32	2	2-7/16	13/16	3/8
	25mm	27.0	96.8	13.5	50.8	61.9	13/16	9.5
206	1-1/8, 1-3/16	1-3/16	4-3/8	17/32	2-1/4	2-3/4	7/8	3/8
	30mm	30.2	111.1	13.5	57.2	69.9	7/8	9.5
207	1-1/4, 1-3/8	1-5/16	4-7/8	17/32	2-1/2	3-1/16	7/8	1/2
	1-7/16, 1-1/2	33.3	123.8	13.5	63.5	77.8	7/8	23.7
209	1-11/16, 1-3/4	1-9/16	5-5/8	11/16	3-1/4	3-7/16	1-1/8	5/8
	40mm, 45mm	39.7	142.9	17.5	82.6	87.3	1-1/8	15.9
210	1-15/16, 2	1-5/8	5-13/16	11/16	3-3/8	3-9/16	1-1/8	5/8
	50mm	41.3	147.6	17.5	85.7	90.5	1-1/8	15.9
211	2-3/16	1-3/4	6-11/16	1-1/16	3-3/4	4-3/16	1-3/8	3/4
212	2-7/16, 2-1/2	1-13/16	7-1/2	1-1/16	4	4-11/16	1-3/8	3/4
	60mm	46.0	190.5	27.0	101.6	119.1	1-3/8	19.1
215	2-15/16, 3	2-23/32	9-1/8	1-1/16	4-3/4	5-1/2	1-9/16	13/16
	70mm, 75mm	69.1	231.8	27.0	120.7	139.7	1-9/16	20.6

Series	Shaft Size	H	J	K	L	M	N	T
204	3/4	5/8	2	1-1/4	1-3/8	3	3-5/8	1-3/8
	20mm	15.9	50.8	31.8	34.9	76.2	92.1	34.9
205	7/8, 15/16, 1	5/8	2	1-5/16	1-9/16	3	3-5/8	1-3/8
	25mm	15.9	50.8	33.3	39.7	76.2	92.1	34.9
206	1-1/8, 1-3/16	5/8	2-3/16	1-7/16	1-13/16	3-1/2	4-1/8	1-5/8
	30mm	15.9	55.6	36.5	46.0	88.9	104.8	41.3
207	1-1/4, 1-3/8	5/8	2-1/2	1-7/16	2-1/8	3-1/2	4-1/8	1-5/8
	1-7/16, 1-1/2	15.9	63.5	36.5	54.0	88.9	104.8	41.3
209	1-11/16, 1-3/4	3/4	3-1/4	1-15/16	2-9/16	4	4-3/4	1-15/16
	40mm, 45mm	19.1	82.6	49.2	65.1	101.6	120.7	49.2
210	1-15/16, 2	3/4	3-1/4	1-15/16	2-13/16	4	4-3/4	1-15/16
	50mm	19.1	82.6	49.2	71.4	101.6	120.7	49.2
211	2-3/16	1	4	2-1/2	3-1/8	5-1/8	5-7/8	2-1/2
212	2-7/16, 2-1/2	1-1/4	4	2-1/2	3-1/2	5-1/8	5-7/8	2-1/2
	60mm	31.8	101.6	63.5	88.9	130.2	149.2	63.5
215	2-15/16, 3	1-1/4	4-3/8	2-3/4	3-15/16	5-15/16	6-11/16	2-3/4
	70mm, 75mm	31.8	111.1	69.9	100.0	150.8	169.9	69.9

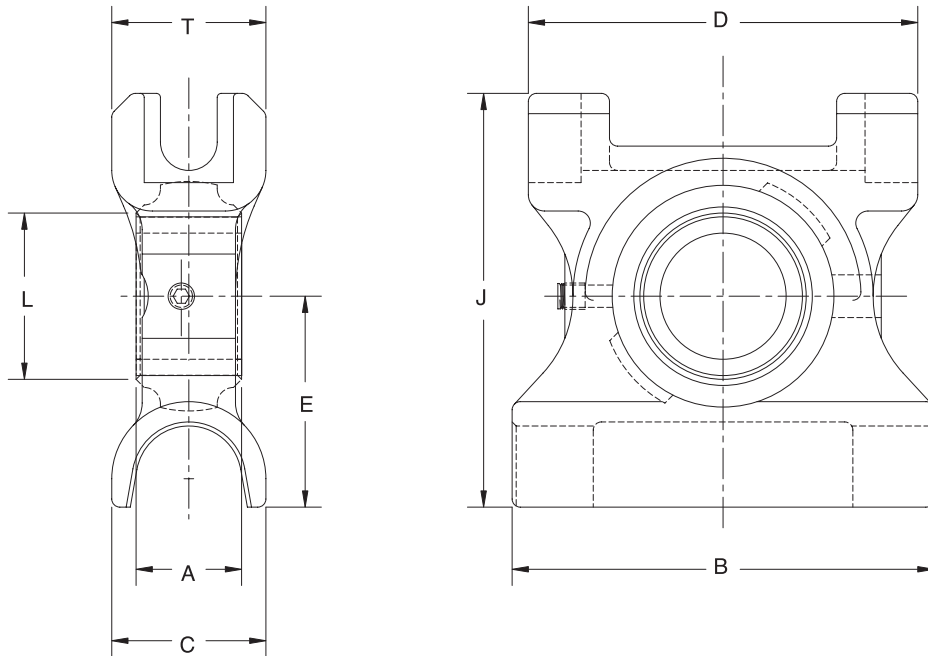
FEATURES/BENEFITS PAGE B13-2	SPECIFICATION/HTO PAGE B13-4	NOMENCLATURE PAGE B13-5	SELECTION PAGE B13-6
---------------------------------	---------------------------------	----------------------------	-------------------------



# SELECTION/DIMENSIONS

**DODGE**

## Sleeve Bearings - SOLIDLUBE 1-15/16" THRU 3" TYPE GLT SOLIDLUBE TAKE-UP BEARINGS



Shaft Size	700 Series		1000 Series		Wt.	Frame Size
	Part No.	Description	Part No.	Description		
1-15/16	<b>033739</b>	TP-GLT7-115	<b>033750</b>	TP-GLT10-115	10.1	TP10
2	<b>033740</b>	TP-GLT7-200	<b>033751</b>	TP-GLT10-200		
2-3/16	<b>033741</b>	TP-GLT7-203	<b>033752</b>	TP-GLT10-203	11.8	TP20
2-7/16	<b>033742</b>	TP-GLT7-207	<b>033753</b>	TP-GLT10-207	14.1	TP30
2-1/2	<b>033743</b>	TP-GLT7-208	<b>033754</b>	TP-GLT10-208		
2-15/16	<b>033744</b>	TP-GLT7-215	<b>033755</b>	TP-GLT10-215	17.0	TP40
3	<b>033745</b>	TP-GLT7-300	<b>033756</b>	TP-GLT10-300		

FEATURES/BENEFITS PAGE B13-2	SPECIFICATION/HTO PAGE B13-4	NOMENCLATURE PAGE B13-5	SELECTION PAGE B13-6
---------------------------------	---------------------------------	----------------------------	-------------------------



# SELECTION/DIMENSIONS



## Sleeve Bearings - SOLIDLUBE 1-15/16" THRU 3" TYPE GLT SOLIDLUBE TAKE-UP BEARINGS

IMPERIAL - ISAF

UNIFIED SAF

International Bearings

Sleeve Bearing

SLEEVOIL

Shaft Size	A	B	C	D	E	J	L	T
1-15/16 2	1-5/8	6-1/2	2-3/8	6	3-1/4	6-3/8	2-13/16	2-3/8
2-3/16	1-3/4	7	2-1/2	6-3/4	3-3/8	6-7/8	3-1/8	2-3/8
2-7/16 2-1/2	1-13/16	7-1/2	2-3/4	7	3-1/2	7-7/16	3-1/2	2-3/4
2-15/16 3	2-23/32	8-1/2	2-1/2	8	4	8-5/16	3-15/16	2-3/4

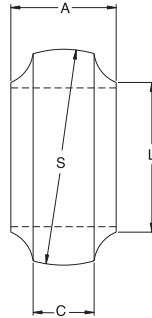
FEATURES/BENEFITS PAGE B13-2	SPECIFICATION/HTO PAGE B13-4	NOMENCLATURE PAGE B13-5	SELECTION PAGE B13-6
---------------------------------	---------------------------------	----------------------------	-------------------------

# SELECTION/DIMENSIONS

# DODGE®



## Sleeve Bearings - SOLIDLUBE 3/4" THRU 3" SOLIDLUBE LT INSERTS



Series	Shaft Size	700 Series			1000 Series		
		Part No.	LT700 Series Description	Wt.	Part No.	LT1000 Series Description	Wt.
204	3/4	<b>033585</b>	INS-LT7-012	0.30	<b>033610</b>	INS-LT10-012	0.30
	20mm	<b>034454</b>	INS-LT7-20M	0.14	<b>034455</b>	INS-LT10-20M	0.14
205	7/8	<b>033586</b>	INS-LT7-014	0.50	<b>033611</b>	INS-LT10-014	0.50
	15/16	<b>033587</b>	INS-LT7-015	0.40	<b>033612</b>	INS-LT10-015	0.40
	1	<b>033588</b>	INS-LT7-100	0.30	<b>033613</b>	INS-LT10-100	0.30
	25mm	<b>034456</b>	INS-LT7-25M	0.14	<b>034457</b>	INS-LT10-25M	0.14
206	1-1/8	<b>033589</b>	INS-LT7-102	0.70	<b>033614</b>	INS-LT10-102	0.70
	1-3/16	<b>033590</b>	INS-LT7-103	0.60	<b>033615</b>	INS-LT10-103	0.60
	30mm	<b>034458</b>	INS-LT7-30M	0.32	<b>034459</b>	INS-LT10-30M	0.32
207	1-1/4	<b>033591</b>	INS-LT7-104	1.20	<b>033616</b>	INS-LT10-104	1.20
	1-3/8	<b>033592</b>	INS-LT7-106	1.00	<b>033617</b>	INS-LT10-106	1.00
	1-7/16	<b>033593</b>	INS-LT7-107	0.90	<b>033618</b>	INS-LT10-107	0.90
	1-1/2	<b>033594</b>	INS-LT7-108	0.80	<b>033619</b>	INS-LT10-108	0.80
	35mm	<b>034460</b>	INS-LT7-35M	0.45	<b>034461</b>	INS-LT10-35M	0.45
209	1-11/16	<b>033595</b>	INS-LT7-111	1.60	<b>033620</b>	INS-LT10-111	1.60
	1-3/4	<b>033596</b>	INS-LT7-112	1.40	<b>033621</b>	INS-LT10-112	1.40
	40mm	<b>034462</b>	INS-LT7-40M	0.73	<b>034463</b>	INS-LT10-40M	0.73
	45mm	<b>034464</b>	INS-LT7-45M	0.64	<b>034465</b>	INS-LT10-45M	0.64
210	1-15/16	<b>033597</b>	INS-LT7-115	1.80	<b>033622</b>	INS-LT10-115	1.80
	2	<b>033598</b>	INS-LT7-200	1.60	<b>033623</b>	INS-LT10-200	1.60
	50mm	<b>034466</b>	INS-LT7-50M	0.73	<b>034467</b>	INS-LT10-50M	0.73
211	2-3/16	<b>033599</b>	INS-LT7-203	2.30	<b>033624</b>	INS-LT10-203	2.30
212	2-7/16	<b>033600</b>	INS-LT7-207	3.20	<b>033625</b>	INS-LT10-207	3.20
	2-1/2	<b>033601</b>	INS-LT7-208	3.00	<b>033626</b>	INS-LT10-208	3.00
	60mm	<b>034468</b>	INS-LT7-60M	1.45	<b>034469</b>	INS-LT10-60M	1.45
215	2-15/16	<b>033602</b>	INS-LT7-215	5.80	<b>033627</b>	INS-LT10-215	5.80
	3	<b>034117</b>	INS-LT7-300	5.50	<b>034525</b>	INS-LT10-300	5.50
	70mm	<b>034470</b>	INS-LT7-70M		<b>034471</b>	INS-LT10-70M	
	75mm	<b>034472</b>	INS-LT7-75M	2.50	<b>034473</b>	INS-LT10-75M	2.50

FEATURES/BENEFITS  
PAGE B13-2

SPECIFICATION/HTO  
PAGE B13-4

NOMENCLATURE  
PAGE B13-5

SELECTION  
PAGE B13-6

# SELECTION/DIMENSIONS



## Sleeve Bearings - SOLIDLUBE 3/4" THRU 3" SOLIDLUBE LT INSERTS

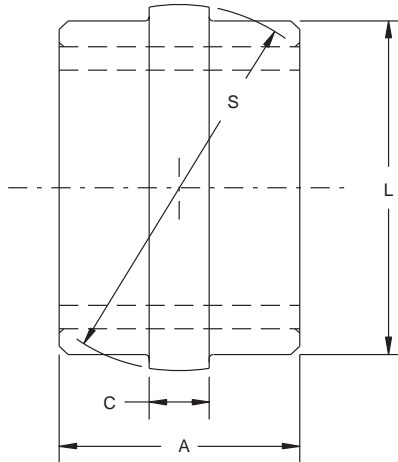
Series	Shaft Size	A	C	L	S
204	3/4	1	5/8	1-3/8	1.8445/1.8425
	20mm	25.4	15.9	34.9	46.850 / 46.800
205	7/8	1-1/16	5/8	1-9/16	2.0415/2.0395
	15/16				
206	1	1-3/16	11/16	1-13/16	2.435/2.433
	25mm				
207	1-1/8	1-5/16	13/16	2-1/8	2.829/2.827
	1-3/8				
209	1-7/16	1-9/16	13/16	2-9/16	3.3415/3.3395
	1-1/2				
210	35mm	1-5/8	7/8	2-13/16	3.5375/3.5355
	1-11/16				
211	1-3/4	1-3/4	15/16	3-1/8	3.932/3.930
	40mm				
212	45mm	2-23/32	1-3/16	3-1/2	4.326/4.324
	2-7/16				
215	2-1/2	3	1-3/16	3-15/16	5.1135/5.1115
	60mm				
215	70mm	3	1-3/16	3-15/16	5.1135/5.1115
	75mm				

FEATURES/BENEFITS PAGE B13-2	SPECIFICATION/HTO PAGE B13-4	NOMENCLATURE PAGE B13-5	SELECTION PAGE B13-6
---------------------------------	---------------------------------	----------------------------	-------------------------

# SELECTION/DIMENSIONS



## Sleeve Bearings - SOLIDLUBE 3-7/16" THRU 5" SOLIDLUBE MM BEARING INSERTS



Shaft Size	700 Series		1000 Series		Wt.
	Part No.	Description	Part No.	Description	
3-7/16	<b>034438</b>	INS-MM7-307	<b>034439</b>	INS-MM10-307	6.4
3-1/2	<b>034440</b>	INS-MM7-308	<b>034441</b>	INS-MM10-308	6.2
3-15/16	<b>034442</b>	INS-MM7-315	<b>034443</b>	INS-MM10-315	10.0
4	<b>034444</b>	INS-MM7-400	<b>034445</b>	INS-MM10-400	9.8
4-7/16	<b>034446</b>	INS-MM7-407	<b>034447</b>	INS-MM10-407	20.0
4-1/2	<b>034448</b>	INS-MM7-408	<b>034449</b>	INS-MM10-408	19.7
4-15/16	<b>034450</b>	INS-MM7-415	<b>034451</b>	INS-MM10-415	27.0
5	<b>034452</b>	INS-MM7-500	<b>034453</b>	INS-MM10-500	26.5

Shaft Size	Wt.	A	C	L Dia.	S Spherical Dia.
3-7/16	6.4	3-1/2	7/8	4-7/8	5.182/5.180
3-1/2	6.2				
3-15/16	10.0	4	1-1/8	5-5/8	6.057/6.055
4	9.8				
4-7/16	20.0	4-1/2	1-1/4	6-15/16	7.370/7.367
4-1/2	19.7				
4-15/16	27.0	5	1-3/8	7-9/16	7.995/7.992
5	26.5				

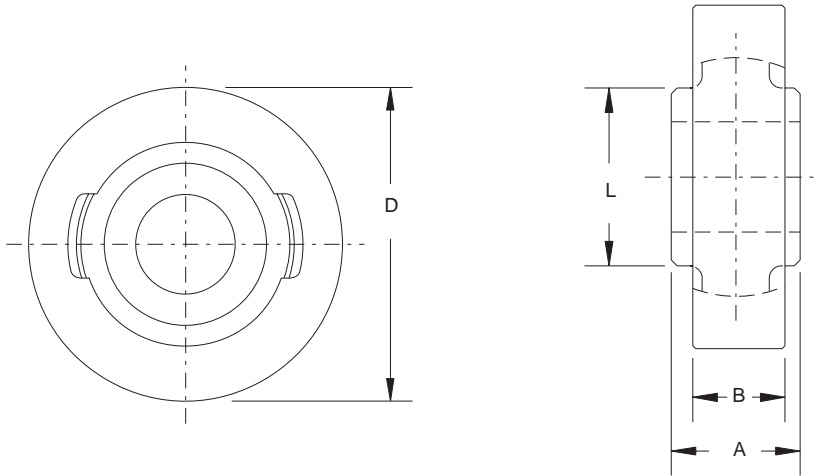
◆ No Published Metric Dimensions For This Product

FEATURES/BENEFITS PAGE B13-2	SPECIFICATION/HTO PAGE B13-4	NOMENCLATURE PAGE B13-5	SELECTION PAGE B13-6
---------------------------------	---------------------------------	----------------------------	-------------------------

# SELECTION/DIMENSIONS



## Sleeve Bearings - SOLIDLUBE 7/8" THRU 1-1/2" SOLIDLUBE LT CYLINDRICAL UNITS



Shaft Size	LT700			LT1000		
	Part Number	Description	Wt.	Part Number	Description	Wt.
7/8	<b>033961</b>	CYL-LT7-014	1.5	<b>422596</b>	CYL-LT10-014	1.5
15/16	<b>033960</b>	CYL-LT7-015		<b>422595</b>	CYL-LT10-015	
1	<b>033962</b>	CYL-LT7-100		<b>422597</b>	CYL-LT10-100	
1-1/8	<b>033963</b>	CYL-LT7-102	29.0	<b>492598</b>	CYL-LT10-102	2.9
1-3/16	<b>033964</b>	CYL-LT7-103		<b>422599</b>	CYL-LT10-103	
1-1/4	<b>033965</b>	CYL-LT7-104	3.0	<b>422600</b>	CYL-LT10-104	3.0
1-3/8	<b>033966</b>	CYL-LT7-106		<b>422601</b>	CYL-LT10-106	
1-7/16	<b>033967</b>	CYL-LT7-107		<b>422602</b>	CYL-LT10-107	
1-1/2	<b>033968</b>	CYL-LT7-108		<b>422603</b>	CYL-LT10-108	

Shaft Size	A	B	D Dia. + .000 - .002	L
7/8 15/16 1	1-1/16	27/32	3-1/8	1-9/16
1-1/8 1-3/16	1-3/16	15/16	3-1/2	1-13/16
1-1/4 1-3/8 1-7/16 1-1/2	1-5/16	1-1/16	3-7/8	2-1/8

◆ No Published Metric Dimensions For This Product

FEATURES/BENEFITS PAGE B13-2	SPECIFICATION/HTO PAGE B13-4	NOMENCLATURE PAGE B13-5	SELECTION PAGE B13-6
---------------------------------	---------------------------------	----------------------------	-------------------------

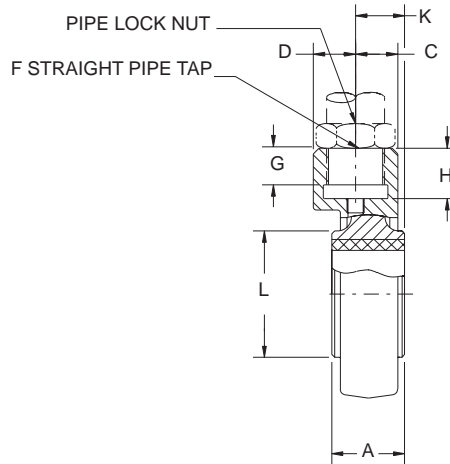
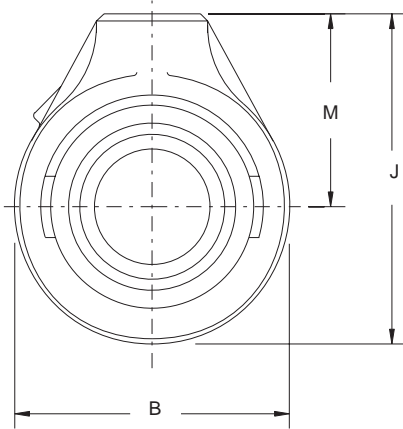
# SELECTION/DIMENSIONS



## Sleeve Bearings - SOLIDLUBE

1-15/16" THRU 2-1/2"

### SOLIDLUBE LT SCREW CONVEYOR HANGER BEARING



Series	Shaft Size	LT700 Series			LT1000 Series		
		Part No.	Description	Wt.	Part No.	Description	Wt.
210	1-15/16	<b>033937</b>	SCHB-LT7-115	5.8	<b>033952</b>	SCHB-LT10-115	1.9
	2	<b>033938</b>	SCHB-LT7-200	5.7	<b>033953</b>	SCHB-LT10-200	2.0
212	2-7/16	<b>033939</b>	SCHB-LT7-207	7.1	<b>033954</b>	SCHB-LT10-207	5.0
	2-1/2	<b>033940</b>	SCHB-LT7-208	7.0	<b>033955</b>	SCHB-LT10-208	4.8

Series	Shaft Size	A	B	C	D	F#	G	H	J	K	L	M
210	1-15/16 2	1-5/8	4-5/8	7/8	15/16	1	13/16	1-1/8	5-9/16	1-3/32	2-13/16	3-1/4
212	2-7/16 2-1/2	1-13/16	5-1/2	1-5/32	1-5/32	1-1/4	1-1/8	1-7/16	6-3/4	1-1/4	3-1/2	4

◆ No Published Metric Dimensions For This Product

FEATURES/BENEFITS  
PAGE B13-2

SPECIFICATION/HTO  
PAGE B13-4

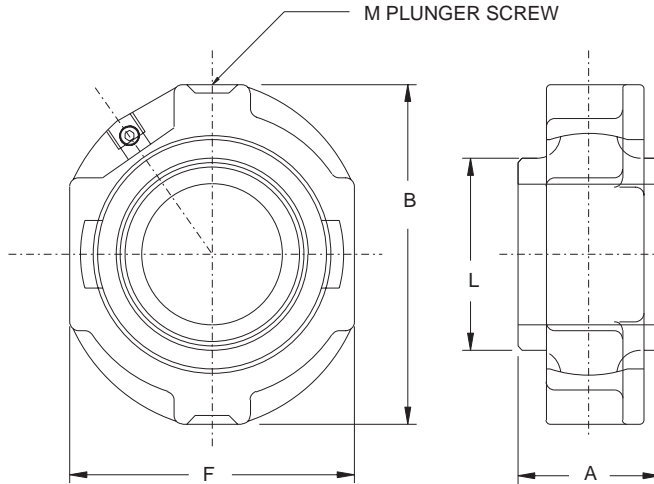
NOMENCLATURE  
PAGE B13-5

SELECTION  
PAGE B13-6

# SELECTION/DIMENSIONS



## Sleeve Bearings - SOLIDLUBE 1-1/8" THRU 2" SOLIDLUBE LT HANGER BEARINGS



Shaft Size	LT700		LT1000		Wt.
	Part No.	Description	Part No.	Description	
1-1/8	<b>033890</b>	HNG-LT7-102	<b>033900</b>	HNG-LT10-102	1.9
1-3/16	<b>033891</b>	HNG-LT7-103	<b>033901</b>	HNG-LT10-103	2.0
1-1/4	<b>033892</b>	HNG-LT7-104	<b>033902</b>	HNG-LT10-104	3.1
1-3/8	<b>033893</b>	HNG-LT7-106	<b>033903</b>	HNG-LT10-106	3.0
1-7/16	<b>033894</b>	HNG-LT7-107	<b>033904</b>	HNG-LT10-107	2.9
1-1/2	<b>033895</b>	HNG-LT7-108	<b>033905</b>	HNG-LT10-108	2.8
1-15/16	<b>033896</b>	HNG-LT7-115	<b>033906</b>	HNG-LT10-115	5.0
2	<b>033897</b>	HNG-LT7-200	<b>033907</b>	HNG-LT10-200	4.8

Shaft Size	A	B	F	L	M
1-1/8	1-3/16	3-5/8	3	1-13/16	1/2
1-3/16					
1-1/4	1-5/16	4-1/4	3-1/2	2-1/8	1/2
1-3/8					
1-7/16					
1-1/2					
1-15/16	1-5/8	5	4-3/16	2-13/16	5/8
2					

◆ No Published Metric Dimensions For This Product

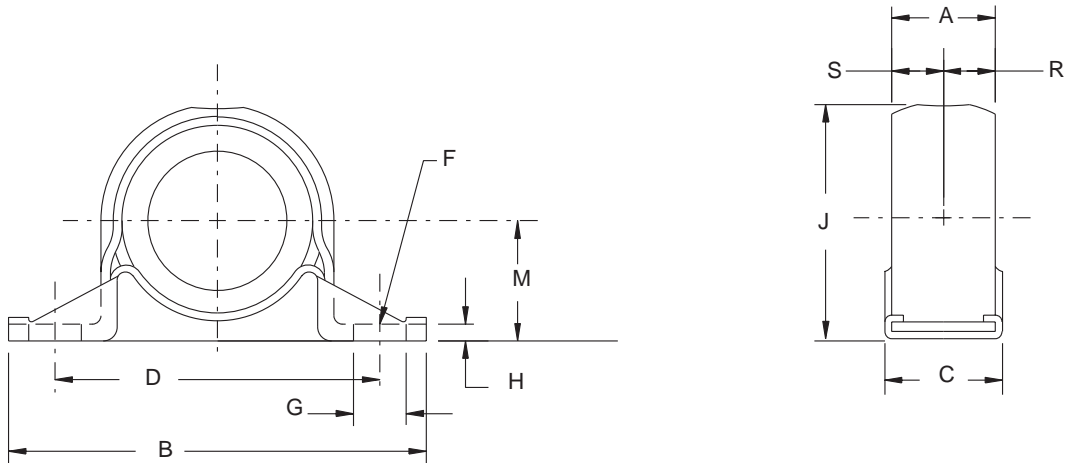
FEATURES/BENEFITS PAGE B13-2	SPECIFICATION/HTO PAGE B13-4	NOMENCLATURE PAGE B13-5	SELECTION PAGE B13-6
---------------------------------	---------------------------------	----------------------------	-------------------------

# SELECTION/DIMENSIONS

# DODGE®



## Sleeve Bearings - SOLIDLUBE 3/4" THRU 1-1/2" SOLIDLUBE LM800 PILLOW BLOCKS



Shaft Size	Part No.	Description	Wt.	A	B	C	D
3/4	<b>033692</b>	P2B-LM8-012	.70				
1	<b>033693</b>	P2B-LM8-100	.22	1	4	1-7/32	3
1-1/4	<b>033694</b>	P2B-LM8-104	.70	1-1/8	4-1/2	1-11/32	3-1/2
1-1/2	<b>033695</b>	P2B-LM8-108	.50				

Shaft Size	F Bolt Dia.	G	H	J	M	R	S
3/4	3/8	9/16	5/32	2-1/16	1-1/16	1/2	1/2
1	3/8	9/16	5/32	2-9/16	1-5/16	9/16	9/16
1-1/4	3/8	9/16	5/32	2-9/16	1-5/16	9/16	9/16
1-1/2	3/8	9/16	5/32	2-9/16	1-5/16	9/16	9/16

◆ No Published Metric Dimensions For This Product

FEATURES/BENEFITS  
PAGE B13-2

SPECIFICATION/HTO  
PAGE B13-4

NOMENCLATURE  
PAGE B13-5

SELECTION  
PAGE B13-6

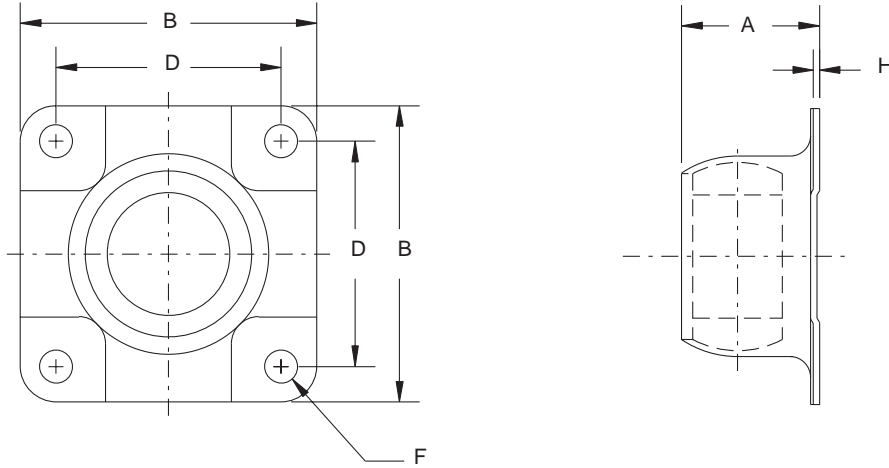


# SELECTION/DIMENSIONS



## Sleeve Bearings - SOLIDLUBE

### 3/4" THRU 1-1/2" SOLIDLUBE LM800 4-BOLT FLANGE BEARING



Shaft Size	Part No.	Description	Wt.	A
3/4	<b>033696</b>	F4B-LM8-012	.50	1-9/32
1	<b>033697</b>	F4B-LM8-100	.36	1-9/32
1-1/4	<b>033698</b>	F4B-LM8-104	.50	1-11/16
1-1/2	<b>033699</b>	F4B-LM8-108	.50	1-11/16

Shaft Size	B	D	F Bolt Dia	H
3/4	3-1/8	2-1/4	3/8	1/16
1	3-5/8	2-3/4	3/8	1/16
1-1/4	3-5/8	2-3/4	3/8	1/16
1-1/2	3-5/8	2-3/4	3/8	1/16

◆ No Published Metric Dimensions For This Product

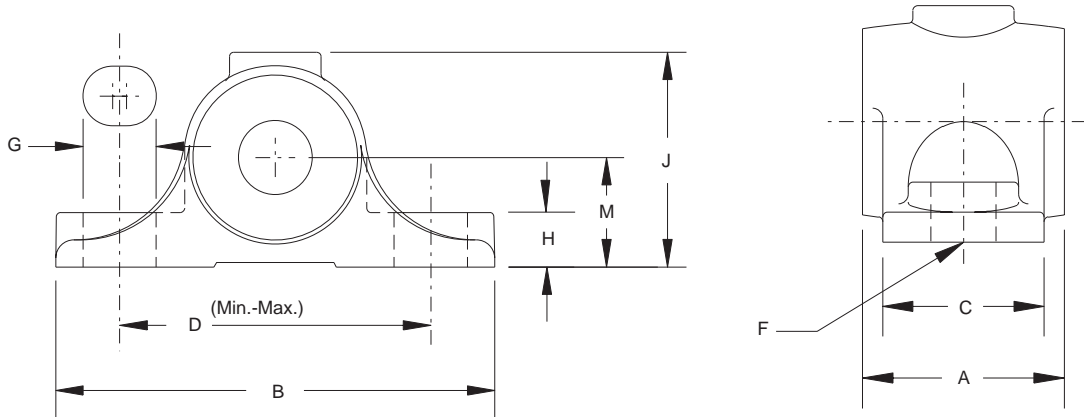
FEATURES/BENEFITS PAGE B13-2	SPECIFICATION/HTO PAGE B13-4	NOMENCLATURE PAGE B13-5	SELECTION PAGE B13-6
---------------------------------	---------------------------------	----------------------------	-------------------------



# SELECTION/DIMENSIONS

# DODGE®

## Sleeve Bearings - Babbitted 1/2" THRU 3-7/16" SOLID BABBITTED JOURNAL BEARINGS



Shaft Size	Part No.	Description	Wt.	Frame	A	B	C	D	
								Min.	Max.
1/2	<b>006102</b>	P2B-BASO-008	0.6	LD-10	1-1/4	3	1	2-1/32	2-7/32
5/8	<b>006104</b>	P2B-BASO-010	1.0	LD-10	1-1/2	3-1/2	1-1/8	2-13/32	2-19/32
3/4	<b>006107</b>	P2B-BASO-012	0.9						
7/8	<b>006109</b>	P2B-BASO-014	1.7	LD-10	1-7/8	4	1-1/2	2-7/8	3-1/8
15/16	<b>006110</b>	P2B-BASO-015	1.6						
1	<b>006111</b>	P2B-BASO-100	1.5						
1-1/8	<b>006113</b>	P2B-BASO-102	2.7	LD-10	2-3/8	4-3/4	1-3/4	3-3/8	3-5/8
1-3/16	<b>006114</b>	P2B-BASO-103	2.6						
1-1/4	<b>006115</b>	P2B-BASO-104	2.5						
1-5/16	<b>006117</b>	P2B-BASO-105	4.4	...	2-7/8	5-1/2	2	3-7/8	4-1/8
1-3/8	<b>006118</b>	P2B-BASO-106	4.2						
1-7/16	<b>006119</b>	P2B-BASO-107	4.0						
1-1/2	<b>006120</b>	P2B-BASO-108	3.8						
1-11/16	<b>006124</b>	P2B-BASO-111	6.0	LD-20	3-3/8	6-1/4	2-1/4	4-11/32	4-21/32
1-3/4	<b>006125</b>	P2B-BASO-112	5.8						
1-15/16	<b>006128</b>	P2B-BASO-115	8.2	...	3-7/8	7	2-1/2	5-1/8	5-3/8
2	<b>006129</b>	P2B-BASO-200	8.0						
2-3/16	<b>006132</b>	P2B-BASO-203	12	...	4-3/8	7-3/4	2-3/4	5-1/2	6
2-7/16	<b>006136</b>	P2B-BASO-207	15	...	4-7/8	8-1/2	3	6	6-1/2
2-11/16	<b>006140</b>	P2B-BASO-211	19	...	5-3/8	9-1/4	3-1/4	6-1/2	7
2-15/16	<b>006144</b>	P2B-BASO-215	25	LD-45	5-7/8	10	3-1/2	7-9/32	7-23/32
3-3/16	<b>006148</b>	P2B-BASO-303	33	...	6-7/8	10-3/4	4	7-5/8	8-3/8
3-7/16	<b>006152</b>	P2B-BASO-307	30						

◆ No Published Metric Dimensions For This Product

FEATURES/BENEFITS PAGE B13-2	SPECIFICATION/HTO PAGE B13-4	NOMENCLATURE PAGE B13-5	SELECTION PAGE B13-6
---------------------------------	---------------------------------	----------------------------	-------------------------

# SELECTION/DIMENSIONS



## Sleeve Bearings - Babbitted 1/2" THRU 3-7/16" SOLID BABBITTED JOURNAL BEARINGS

IMPERIAL - ISAF

UNIFIED SAF

International Bearings

Sleeve Bearing

SLEEVOIL

Shaft Size	F Bolt	G	H	J	M	Grease Cups #		
						Pipe Tap	No. Reqd	Size
1/2	5/16	1/2	3/8	1-15/32	3/4	1/8	1	0
5/8 3/4	5/16	1/2	1/2	1-23/32	7/8	1/8	1	0
7/8 15/16 1	3/8	9/16	5/8	2	1	1/8	1	0
1-1/8 1-3/16 1-1/4	7/16	21/32	11/16	2-7/16	1-1/4	1/8	1	0
1-5/16 1-3/8 1-7/16 1-1/2	1/2	11/16	7/8	2-3/4	1-3/8	1/4	1	0
1-11/16 1-3/4	9/16	13/16	1	3-1/16	1-1/2	1/4	1	0
1-15/16 2	5/8	13/16	1-1/8	3-1/2	1-3/4	1/4	1	0
2-3/16	11/16	1-1/32	1-1/4	3-13/16	1-7/8	3/8	1	2
2-7/16	3/4	1-1/8	1-3/8	4-1/4	2-1/8	3/8	1	2
2-11/16	13/16	1-5/32	1-1/2	4-9/16	2-1/4	3/8	1	2
2-15/16	7/8	1-5/32	1-11/16	5	2-1/2	3/8	1	2
3-3/16 3-7/16	1	1-7/16	1-7/8	5-7/16	2-3/4	3/8	1	2

# Grease cups or pressure fittings may be obtained thru our distributors; one required per bearing.

See page B13-10 for grease fitting and reducer bushing part numbers

**Note:** All blocks have two base bolts.

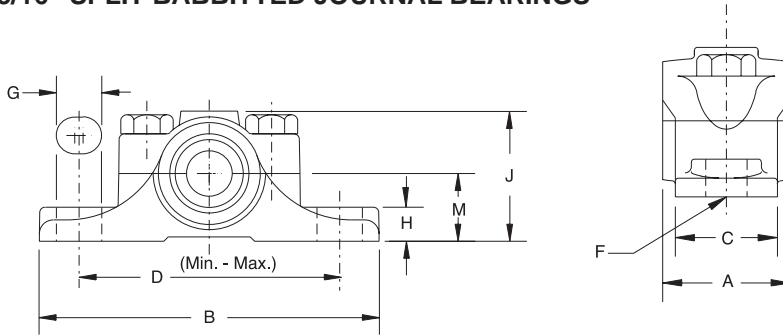
◆ No Published Metric Dimensions For This Product

FEATURES/BENEFITS PAGE B13-2	SPECIFICATION/HTO PAGE B13-4	NOMENCLATURE PAGE B13-5	SELECTION PAGE B13-6
---------------------------------	---------------------------------	----------------------------	-------------------------

# SELECTION/DIMENSIONS



## Sleeve Bearings - Babbitted 1/2" THRU 3-15/16" SPLIT BABBITTED JOURNAL BEARINGS



Shaft Size	Part No.	Description	Wt.	A	B	C	D	
							Min.	Max.
1/2	<b>006001</b>	P2B-BASP-008	0.8	1-1/4	3-3/4	1	2-3/4	3
5/8	<b>006004</b>	P2B-BASP-010	1.1	1-1/2	4-1/4	1-1/8	3-1/8	3-3/8
3/4	<b>006007</b>	P2B-BASP-012	1.0					
7/8	<b>006010</b>	P2B-BASP-014	1.9	2	4-3/4	1-1/2	3-1/2	3-3/4
15/16	<b>006013</b>	P2B-BASP-015	1.8					
1	<b>006016</b>	P2B-BASP-100	1.7					
1-1/16	<b>006019</b>	P2B-BASP-101	3.3	2-1/2	5-1/4	1-3/4	4	4-1/4
1-1/8	<b>006022</b>	P2B-BASP-102	3.2					
1-3/16	<b>006025</b>	P2B-BASP-103	3.1					
1-1/4	<b>006028</b>	P2B-BASP-104	3.0					
1-5/16	<b>006031</b>	P2B-BASP-105	5.0	3	6-1/4	2	4-13/16	4-15/16
1-3/8	<b>006034</b>	P2B-BASP-106	4.8					
1-7/16	<b>006037</b>	P2B-BASP-107	1.6					
1-1/2	<b>006040</b>	P2B-BASP-108	4.4					
1-5/8	<b>006043</b>	P2B-BASP-110	6.6					
1-11/16	<b>006046</b>	P2B-BASP-111	6.4	3-3/8	6-3/4	2-1/4	5-1/8	5-3/8
1-3/4	<b>006049</b>	P2B-BASP-112	6.2					
1-15/16	<b>006052</b>	P2B-BASP-115	8.6	4	7-1/2	2-1/2	5-15/16	6-1/16
2	<b>006055</b>	P2B-BASP-200	8.3					
2-3/16	<b>006058</b>	P2B-BASP-203	12.2					
2-1/4	<b>006061</b>	P2B-BASP-204	11.9	4-1/2	8-1/2	2-3/4	6-1/4	6-3/4
2-7/16	<b>006064</b>	P2B-BASP-207	15.6					
2-1/2	<b>006067</b>	P2B-BASP-208	15.1	5	9-1/4	3	6-7/8	7-3/8
2-11/16	<b>006070</b>	P2B-BASP-211	20.0					
2-15/16	<b>006073</b>	P2B-BASP-215	24.2	6	10-3/4	3-1/2	8-1/4	8-3/4
3	<b>006076</b>	P2B-BASP-300	23.7					
3-7/16	<b>006079</b>	P2B-BASP-307	40	6-7/8	12	4	8-7/8	9-5/8
3-15/16	<b>006082</b>	P2B-BASP-315	53					

◆ No Published Metric Dimensions For This Product

FEATURES/BENEFITS PAGE B13-2	SPECIFICATION/HTO PAGE B13-4	NOMENCLATURE PAGE B13-5	SELECTION PAGE B13-6
---------------------------------	---------------------------------	----------------------------	-------------------------

# SELECTION/DIMENSIONS



## Sleeve Bearings - Babbitted 1/2" THRU 3-15/16" SPLIT BABBITTED JOURNAL BEARINGS

Shaft Size	F Bolt	G	H	J	M	Grease Cups #		
						Pipe Tap	No. Req'd	Size
1/2	5/16	1/2	23/64	1-15/32	3/4	1/8	1	0
5/8 3/4	5/16	1/2	1/2	1-23/32	7/8	1/8	1	0
7/8 15/16 1	3/8	9/16	9/16	2	1	1/8	1	0
1-1/16 1-1/8 1-3/16 1-1/4	7/16	5/8	5/8	2-7/16	1-1/4	1/8	1	0
1-5/16 1-3/8 1-7/16 1-1/2	9/16	11/16	3/4	2-3/4	1-3/8	1/4	1	0
1-5/8 1-11/16 1-3/4	9/16	25/32	13/16	3-1/16	1-1/2	1/4	1	0
1-15/16 2	11/16	13/16	15/16	3-1/2	1-3/4	1/4	1	0
2-3/16 2-1/4	11/16	1	1	3-13/16	1-7/8	3/8	1	2
2-7/16 2-1/2	11/16	1	1-1/8	4-1/4	2-1/8	3/8	1	2
2-11/16	13/16	1-1/8	1-3/16	4-9/16	2-1/4	3/8	1	2
2-15/16 3	13/16	1-1/8	1-5/16	5	2-1/2	3/8	1	2
3-7/16	15/16	1-3/8	1-1/2	5-3/4	2-7/8	1/2	1	3
3-15/16	1	1-1/2	1-5/8	6-7/16	3-1/8	1/2	1	3

# Grease cups or pressure fittings may be obtained thru our distributors; one required per bearing.  
See page B13-10 for grease fitting and reducer bushing part numbers

**Note:** All blocks have 2 base bolts and 2 cap bolts

◆ No Published Metric Dimensions For This Product

FEATURES/BENEFITS PAGE B13-2	SPECIFICATION/HTO PAGE B13-4	NOMENCLATURE PAGE B13-5	SELECTION PAGE B13-6
---------------------------------	---------------------------------	----------------------------	-------------------------

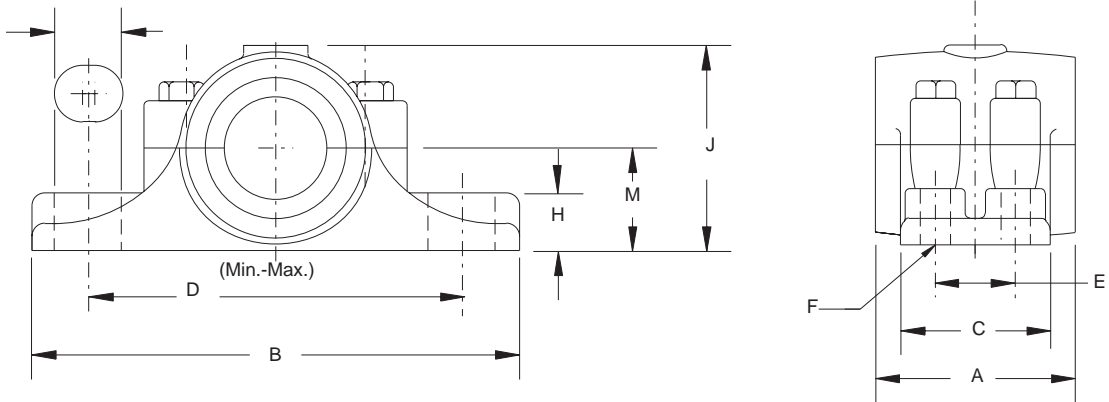
# SELECTION/DIMENSIONS

# DODGE®



## Sleeve Bearings - Babbitted

### 1-15/16" THRU 8" RIGID BABBITTED JOURNAL BEARINGS (SPLIT HOUSING)



Shaft Size	Part No.	Description	Wt.	A	B	C	D	
							Min.	Max.
1-15/16	<b>004060</b>	P4B-BAR-115	10.6	4	8-1/4	3-1/2	6-3/8	6-5/8
2	<b>004063</b>	P4B-BAR-200						
2-3/16	<b>004066</b>	P4B-BAR-203	13.2	4-1/2	8-1/2	3-1/2	6-5/8	6-7/8
2-1/4	<b>004069</b>	P4B-BAR-204						
2-7/16	<b>004072</b>	P4B-BAR-207	18.4	5	10-1/4	4	7-3/4	8-1/4
2-1/2	<b>004075</b>	P4B-BAR-208						
2-11/16	<b>004078</b>	P4B-BAR-211	22.4	5-1/2	10-1/2	4-1/4	8	8-1/2
2-15/16	<b>004081</b>	P4B-BAR-215	30.6	6	11	4-1/2	8-1/2	9
3	<b>004084</b>	P4B-BAR-300						
3-3/16	<b>004087</b>	P4B-BAR-303						
3-7/16	<b>004090</b>	P4B-BAR-307	50.2	7	13	5	10-1/8	10-7/8
3-1/2	<b>004093</b>	P4B-BAR-308						
3-15/16	<b>004096</b>	P4B-BAR-315	64	8	14-3/4	5-1/2	11-1/2	12-1/2
4-7/16	<b>004099</b>	P4B-BAR-407	88	9	16-1/2	6-1/4	13	14
4-15/16	<b>004102</b>	P4B-BAR-415	113	10	18	7	14-3/8	15-5/8
5-7/16	<b>004105</b>	P4B-BAR-507	147	11	19-1/4	7-3/4	15-1/8	16-3/8
5-15/16	<b>004108</b>	P4B-BAR-515	184	12	20-1/2	8-1/2	15-7/8	17-1/8
6-1/2	<b>004113</b>	P4B-BAR-608	255	13	22	9-1/2	17-3/8	18-5/8
7	<b>004114</b>	P4B-BAR-700	310	14	23	10	18-3/8	19-5/8
7-1/2	<b>004115</b>	P4B-BAR-708	370	15	24-1/2	10-1/2	19-3/8	20-5/8
8	<b>004116</b>	P4B-BAR-800	430	16	26	11	20-3/4	22-1/4

◆ No Published Metric Dimensions For This Product

FEATURES/BENEFITS PAGE B13-2	SPECIFICATION/HTO PAGE B13-4	NOMENCLATURE PAGE B13-5	SELECTION PAGE B13-6
---------------------------------	---------------------------------	----------------------------	-------------------------

# SELECTION/DIMENSIONS



## Sleeve Bearings - Babbitted

### 1-15/16" THRU 8" RIGID BABBITTED JOURNAL BEARINGS (SPLIT HOUSING)

IMPERIAL - ISAF

UNIFIED SAF

International Bearings

Sleeve Bearing

SLEEVOIL

Shaft Size	E	F Bolt	G	H	J	M	Grease Cups #		
							Pipe Tap	No. Reqd	Size
1-15/16 2	1-3/4	1/2	3/4	7/8	3-1/2	1-3/4	1/4	1	1
2-3/16 2-1/4	1-3/4	1/2	3/4	1	3-13/16	1-7/8	3/8	1	2
2-7/16 2-1/2	2	5/8	1	1-1/8	4-1/4	2-1/8	3/8	1	2
2-11/16	2-1/4	5/8	1	1-1/4	4-9/16	2-1/4	3/8	1	2
2-15/16 3	2-1/2	5/8	1	1-3/8	5	2-1/2	3/8	1	2
3-3/16 3-7/16 3-1/2	2-3/4	3/4	1-1/4	1-1/2	5-29/32	3-1/4	1/2	1	3
3-15/16	3	3/4	1-3/8	1-5/8	6-17/32	3-1/2	1/2	1	4
4-7/16	3-1/2	7/8	1-1/2	1-3/4	7-17/32	4-1/8	1/2	1	4
4-15/16	4	7/8	1-5/8	1-7/8	8-7/32	4-1/2	1/2	1	4
5-7/16	4-1/2	1	1-3/4	2	9-1/32	5	1/2	2	3
5-15/16	5	1-1/8	1-7/8	2-1/8	9-7/8	5-1/2	1/2	2	3
6-1/2	5-1/2	1-1/8	1-7/8	2-1/4	10-23/32	6	1/2	2	4
7	6	1-1/4	2	2-3/8	11-1/2	6-1/2	1/2	2	4
7-1/2	6-1/4	1-3/8	2-1/8	2-1/2	12-5/32	6-3/4	1/2	2	4
8	6-3/4	1-3/8	2-1/4	2-1/2	12-3/4	7	1/2	2	4

# Grease cups or pressure fittings may be obtained thru our distributors; one required per bearing up thru 4-15/16" sizes and two required for balance of sizes.

See page B13-10 for grease fitting and reducer bushing part number.

**Note:** 1-15/16 - 3" sizes have 2 cap bolts. 3-3/16 and larger sizes have 4 cap bolts (shown in diagram)

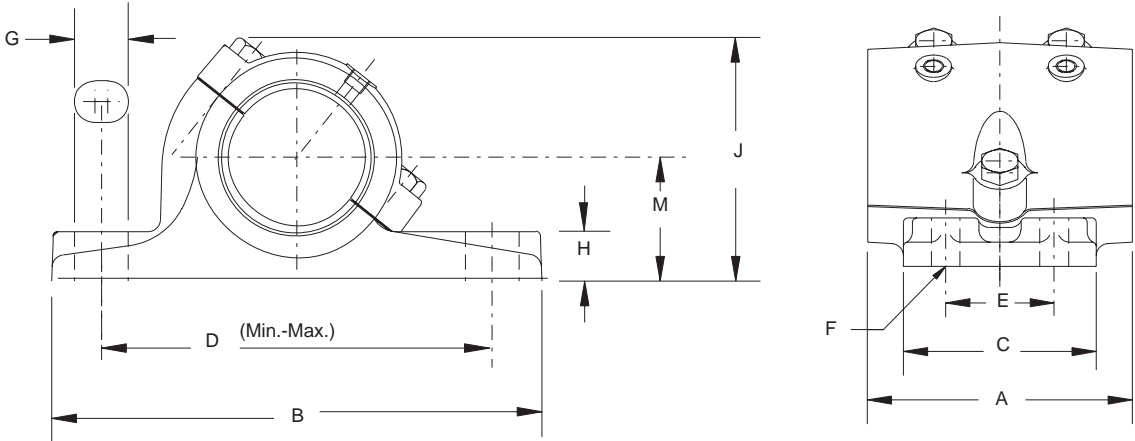
◆ No Published Metric Dimensions For This Product

FEATURES/BENEFITS PAGE B13-2	SPECIFICATION/HTO PAGE B13-4	NOMENCLATURE PAGE B13-5	SELECTION PAGE B13-6
---------------------------------	---------------------------------	----------------------------	-------------------------

# SELECTION/DIMENSIONS



## Sleeve Bearings - Babbitted 1-15/16" THRU 8" ANGLE BABBITTED PILLOW BLOCKS



Shaft Size	Part No.	Description	Wt.	Used on Frame	A	B	C	D	
								Min.	Max.
1-15/16	<b>230050</b>	P4B-BAA-115	11	HD-200	4	8-1/4	3-1/2	6-5/16	6-11/16
2-3/16	<b>230053</b>	P4B-BAA-203	14	HD-200	4-1/2	8-1/2	3-1/2	6-9/16	6-15/16
2-7/16	<b>230056</b>	P4B-BAA-207	20	HD-200	5	10-1/4	4	7-11/16	8-5/16
2-11/16	<b>230059</b>	P4B-BAA-211	24	HB-250	5-1/2	10-1/2	4-1/4	7-15/16	8-9/16
2-15/16	<b>230062</b>	P4B-BAA-215	28	HD-250	6	11	4-1/2	8-7/16	9-1/16
3-7/16	<b>230065</b>	P4B-BAA-307	47	HD-300	7	13	5	10-1/16	10-15/16
3-15/16	<b>230068</b>	P4B-BAA-315	61	HD-350	8	14-3/4	5-1/2	11-7/16	12-9/16
4-7/16	<b>230071</b>	P4B-BAA-407	84	HD-400	9	16-9/16	6-5/16	12-15/16	14-1/16
4-15/16	<b>230074</b>	P4B-BAA-415	112	HD-400	10	18	7	14-5/16	15-11/16
5-7/16	<b>230077</b>	P4B-BAA-507	154	HD-500	11	19-3/4	8	15-1/16	16-7/16
5-15/16	<b>230080</b>	P4B-BAA-515	184	HD-500	12	20-1/2	8-1/2	15-13/16	17-3/16
6-1/2	<b>230134</b>	P4B-BAA-608	220	...	13	22	9-5/8	17-3/16	18-13/16
7	<b>230137</b>	P4B-BAA-700	275	...	14	23	10	18-1/4	19-3/4
8	<b>230140</b>	P4B-BAA-800	400	...	16	26	11	20-11/16	22-5/16

◆ No Published Metric Dimensions For This Product

FEATURES/BENEFITS PAGE B13-2	SPECIFICATION/HTO PAGE B13-4	NOMENCLATURE PAGE B13-5	SELECTION PAGE B13-6
---------------------------------	---------------------------------	----------------------------	-------------------------



# SELECTION/DIMENSIONS



## Sleeve Bearings - Babbitted 1-15/16" THRU 8" ANGLE BABBITTED PILLOW BLOCKS

IMPERIAL - ISAF

UNIFIED SAF

International Bearings

Sleeve Bearing

SLEEVOIL

Shaft Size	E	F Bolt	G	H	J	M	Grease Cups #		
							Pipe Tap	No. Reqd	Size
1-15/16	1-3/4	1/2	3/4	7/8	4-11/16	2-1/4	1/4	1	1
2-3/16	1-3/4	1/2	3/4	1	5-1/8	2-1/2	3/8	1	2
2-7/16	2	5/8	1	1-1/8	5-9/16	2-3/4	3/8	1	2
2-11/16	2-1/4	5/8	1	1-1/4	5-7/8	3	3/8	1	2
2-15/16	2-1/2	5/8	1	1-3/8	6-3/8	3-1/4	3/8	1	2
3-7/16	2-3/4	3/4	1-1/4	1-1/2	7-1/8	3-1/2	1/2	1	3
3-15/16	3	3/4	1-3/8	1-21/32	7-1/2	3-3/4	1/2	1	4
4-7/16	3-1/2	7/8	1-1/2	1-3/4	8-1/2	4-1/8	1/2	1	4
4-15/16	4	7/8	1-5/8	1-7/8	9-3/16	4-1/2	1/2	1	4
5-7/16	4-1/2	1-1/8	1-7/8	2	10-1/4	5	1/2	2	3
5-15/16	5	1-1/8	1-7/8	2-1/8	11-1/16	5-1/2	1/2	2	3
6-1/2	5-1/2	1-1/8	2	2-1/4	12-1/8	6	1/2	2	4
7	6	1-1/8	2	2-3/8	13	6-1/2	1/2	2	4
8	6-3/4	1-3/8	2-1/4	2-1/2	14-1/16	7	1/2	2	4

# Grease cups or pressure fittings may be obtained thru our distributors; one required per bearing up thru 4-15/16, sizes and two required for balance of sizes.

See page B13-10 for grease fitting and reducer bushing part number.

**Note:** 1-15/16 - 3-7/16" sizes have 2 cap bolts.

3-7/16 - 5-15/16" have 3 cap bolts (shown in diagram).

6-1/2" and larger sizes have 4 cap bolts.

◆ No Published Metric Dimensions For This Product

FEATURES/BENEFITS PAGE B13-2	SPECIFICATION/HTO PAGE B13-4	NOMENCLATURE PAGE B13-5	SELECTION PAGE B13-6
---------------------------------	---------------------------------	----------------------------	-------------------------

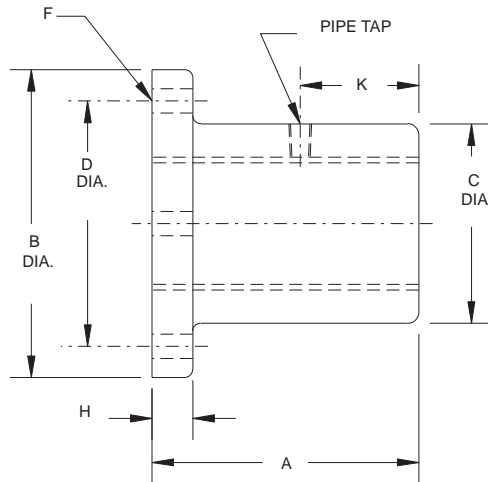


# SELECTION/DIMENSIONS

**DODGE**<sup>®</sup>

## Sleeve Bearings - Babbitted

### 1-15/16" THRU 4-15/16" PLATE TYPE BABBITTED FLANGE BEARING



Shaft	Part No.	Description	Wt.	A	B Dia.	C Dia.	D Dia.
15/16	<b>037001</b>	F4B-BAP-015	2	2	4	2	3
1	<b>037010</b>	F4B-BAP-100					
1-3/16	<b>037002</b>	F4B-BAP-103	3.6	2-1/2	4-1/2	2-1/2	3-1/2
1-1/4	<b>037011</b>	F4B-BAP-104					
1-7/16	<b>037003</b>	F4B-BAP-107	5.3	3	5-1/4	2-3/4	4
1-1/2	<b>037012</b>	F4B-BAP-108					
1-11/16	<b>037004</b>	F4B-BAP-111	8.6	3-1/2	6	3-1/4	4-3/4
1-15/16	<b>037005</b>	F4B-BAP-115	12	4	6-1/2	3-3/4	5-1/4
2	<b>037013</b>	F4B-BAP-200					
2-3/16	<b>037006</b>	F4B-BAP-203	17	4-1/2	7-1/2	4	5-3/4
2-7/16	<b>037007</b>	F4B-BAP-207	22	5	8	4-1/2	6-1/4
2-11/16	<b>037017</b>	F4B-BAP-211	32	5-1/2	9	5	7
2-15/16	<b>037009</b>	F4B-BAP-215	35	6	9-1/2	5-1/4	7-1/2
3-7/16	<b>037020</b>	F4B-BAP-307	53	7	10-3/8	6-1/4	8-1/2
3-15/16	<b>037022</b>	F4B-BAP-315	70	8	11-1/8	6-7/8	9-1/4
4-7/16	<b>037024</b>	F4B-BAP-407	103	9	12-5/8	7-3/4	10-1/2
4-15/16	<b>037026</b>	F4B-BAP-415	140	10	14	8-1/2	11-1/2

◆ No Published Metric Dimensions For This Product

FEATURES/BENEFITS PAGE B13-2	SPECIFICATION/HTO PAGE B13-4	NOMENCLATURE PAGE B13-5	SELECTION PAGE B13-6
---------------------------------	---------------------------------	----------------------------	-------------------------

# SELECTION/DIMENSIONS



## Sleeve Bearings - Babbitted

### 1-15/16" THRU 4-15/16" PLATE TYPE BABBITTED FLANGE BEARING

IMPERIAL - ISAF

UNIFIED SAF

International Bearings

Sleeve Bearing

SLEEVOIL

Shaft	F Bolt		H	K	Grease Cups #	
	No.	Size			Pipe Tap	Size
15/16 1	4	3/8	3/8	3/4	1/8	0
1-3/16 1-1/4	4	3/8	7/16	1	1/8	0
1-7/16 1-1/2	4	1/2	1/2	1-1/4	1/4	0
1-11/16	4	1/2	5/8	1-1/2	1/4	0
1-15/16 2	4	1/2	11/16	1-5/8	1/4	1
2-3/16	4	5/8	3/4	1-7/8	3/8	2
2-7/16	4	5/8	7/8	2-1/8	3/8	2
2-11/16	4	3/4	1	1-3/4	3/8	2
2-15/16	4	3/4	1	2-1/4	3/8	2
3-7/16	6	3/4	1	2-3/4	1/2	3
3-15/16	6	3/4	1-1/8	3-1/4	1/2	4
4-7/16	6	7/8	1-1/4	3-3/4	1/2	4
4-15/16	6	1	1-3/8	4-1/4	1/2	4

# Grease cups or pressure fittings may be obtained thru our distributors; one required per bearing.

See page B13-10 for grease fitting and reducer bushing part number.

◆ No Published Metric Dimensions For This Product

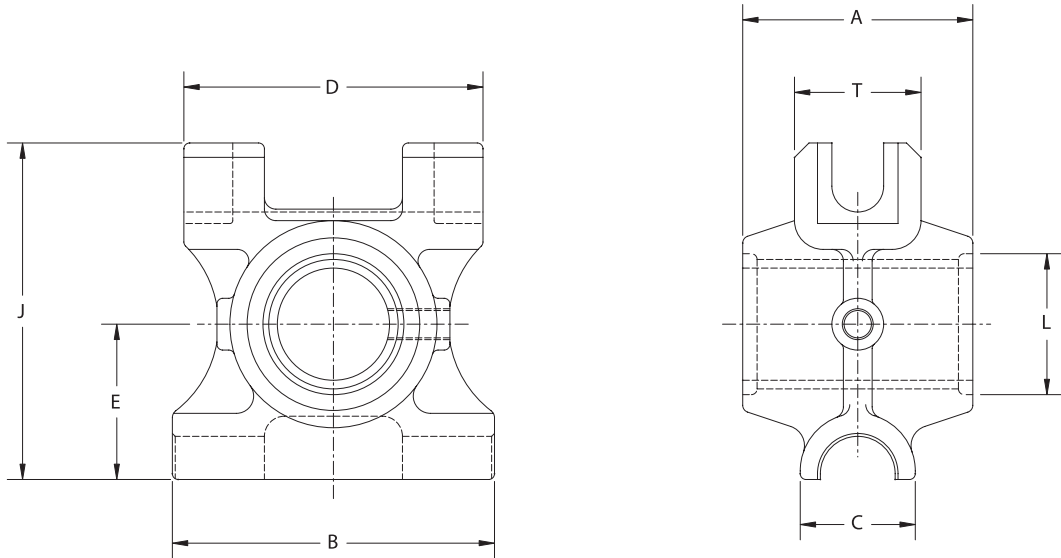
FEATURES/BENEFITS PAGE B13-2	SPECIFICATION/HTO PAGE B13-4	NOMENCLATURE PAGE B13-5	SELECTION PAGE B13-6
---------------------------------	---------------------------------	----------------------------	-------------------------

# SELECTION/DIMENSIONS

**DODGE**<sup>®</sup>


## Sleeve Bearings - Babbitted

### TYPE H BABBITTED TAKE-UP BEARINGS



Shaft Size	Part No.	Description	Frame Size
1-15/16	<b>012215</b>	TP-H-115	TP10
2-3/16	<b>012216</b>	TP-H-203	TP10
2-7/16	<b>012217</b>	TP-H-207	TP30
2-15/16	<b>021218</b>	TP-H-215	TP30
3-7/16	<b>021219</b>	TP-H-307	TP50
3-15/16	<b>021220</b>	TP-H-315	TP50

 FEATURES/BENEFITS  
PAGE B13-2

 SPECIFICATION/HTO  
PAGE B13-4

 NOMENCLATURE  
PAGE B13-5

 SELECTION  
PAGE B13-6

# SELECTION/DIMENSIONS



## Sleeve Bearings - Babbitted TYPE H BABBITTED TAKE-UP BEARINGS

IMPERIAL - ISAF

UNIFIED SAF

International Bearings

Sleeve Bearing

SLEEVOIL

Shaft Size	Weight lbs.	Frame Size	A	B	C	D	E	J	L	T	Pipe Tap	Cup Size
1-15/16	12.5	TP10	4	6	2-3/8	5-1/2	3	6-1/8	2-7/16	2-3/8	1/4	0
2-3/16	12.6	TP10	4-1/2	6	2-3/8	5-1/2	3	6-1/8	2-3/4	2-3/8	3/8	2
2-7/16	22.4	TP30	5	7	2-1/2	6-1/2	3-3/8	7-5/16	3-1/16	2-3/4	3/8	2
2-15/16	23.6	TP30	6	7	2-1/2	6-1/2	3-3/8	7-5/16	3-9/16	2-3/4	3/8	2
3-7/16	46.0	TP50	7	9	3-1/8	8-1/2	4-1/2	9-5/8	4-3/16	3-1/8	3/8	2
3-15/16	47.2	TP50	8	9	3-1/8	8-1/2	4-1/2	9-5/8	4-11/16	3-1/8	3/8	2

FEATURES/BENEFITS PAGE B13-2	SPECIFICATION/HTO PAGE B13-4	NOMENCLATURE PAGE B13-5	SELECTION PAGE B13-6
---------------------------------	---------------------------------	----------------------------	-------------------------

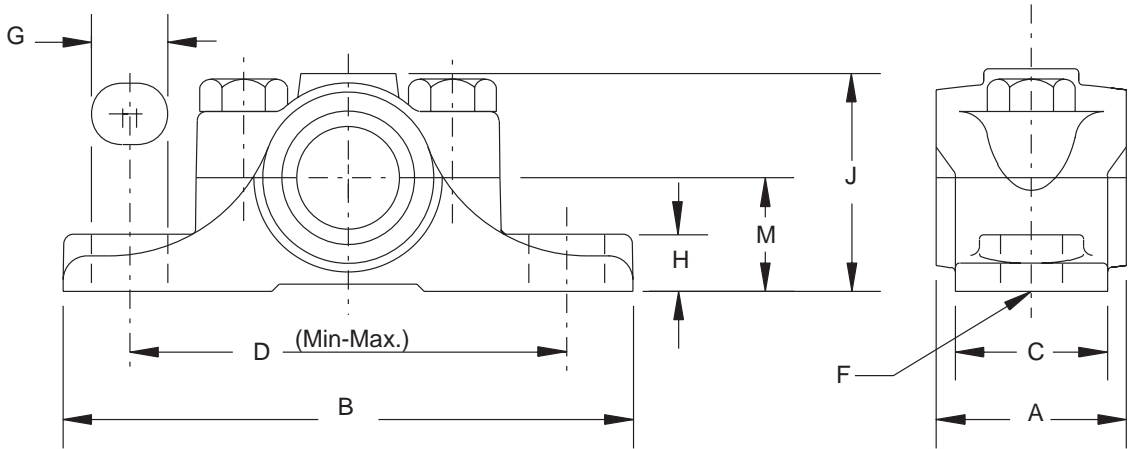


# SELECTION/DIMENSIONS

# DODGE®

## Sleeve Bearings - Bronze-Bushed

### 1-15/16" THRU 2-15/16" SPLIT BRONZE JOURNAL BEARING



Shaft Size	Part No.	Description	Wt.	A	B	C	D	
							Min.	Max.
1-15/16	<b>005070</b>	P2B-BZSP-115	9	3-7/8	7-1/2	2-1/2	5-15/16	6-1/16
2-3/16	<b>005073</b>	P2B-BZSP-203	12	4-3/8	8-1/2	2-3/4	6-1/4	6-3/4
2-7/16	<b>005076</b>	P2B-BZSP-207	15	4-7/8	9-1/4	3	6-7/8	7-3/8
2-11/16	<b>005079</b>	P2B-BZSP-211	20	5-3/8	10	3-1/4	7-1/2	8
2-15/16	<b>005082</b>	P2B-BZSP-215	24	6	10-3/4	3-1/2	8-1/4	8-3/4

Shaft Size	F Bolt	G	H	J	M	Grease Cups #		
						Pipe Tap	No. Req'd	Size
1-15/16	5/8	13/16	15/16	3-1/2	1-3/4	1/4	1	0
2-3/16	5/8	1	1	3-7/8	1-7/8	3/8	1	2
2-7/16	5/8	1	1-1/8	4-1/4	2-1/8	3/8	1	2
2-11/16	3/4	1-1/8	1-3/16	4-9/16	2-1/4	3/8	1	2
2-15/16	3/4	1-1/8	1-5/16	5	2-1/2	3/8	1	2

# Grease cups or pressure fittings may be obtained thru our distributors; one required per bearing.

See page B13-10 for grease fitting and reducer bushing part number.

**Note:** All sizes have 2 bolt base and 2 cap bolts.

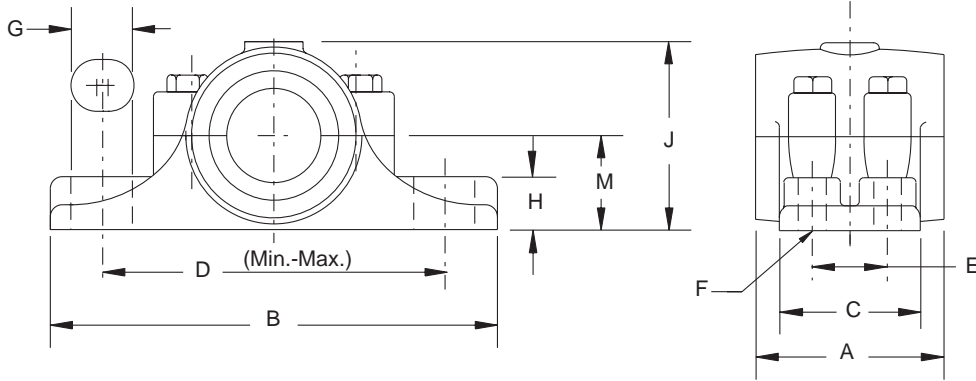
◆ No Published Metric Dimensions For This Product

FEATURES/BENEFITS PAGE B13-2	SPECIFICATION/HTO PAGE B13-4	NOMENCLATURE PAGE B13-5	SELECTION PAGE B13-6
---------------------------------	---------------------------------	----------------------------	-------------------------

# SELECTION/DIMENSIONS



## Sleeve Bearings - Bronze-Bushed 15/16" THRU 215/16" SPLIT BRONZE JOURNAL BEARING



Shaft Size	Part No.	Description	Wt.	A	B	C	D	
							Min.	Max.
3-7/16	005085	P4B-BZR-307	47	7	13	5	10-1/8	10-7/8
3-15/16	005088	P4B-BZR-315	64	8	14-3/4	5-1/2	11-1/2	12-1/2
4-7/16	005091	P4B-BZR-407	89	9	16-1/2	6-1/4	13	14
4-15/16	005094	P4B-BZR-415	115	10	18	7	14-3/8	15-5/8
5-7/16	005097	P4B-BZR-507	137	11	19-1/4	7-3/4	15-1/8	16-3/8
5-15/16	005100	P4B-BZR-515	180	12	20-1/2	8-1/2	15-7/8	17-1/8
6-1/2	005195	P4B-BZR-608	255	13	22	9-1/2	17-3/8	18-5/8
7	005198	P4B-BZR-700	310	14	23	10	18-3/8	19-5/8
7-1/2	005199	P4B-BZR-708	370	15	24-1/2	10-1/2	19-3/8	20-5/8
8	005201	P4B-BZR-800	430	16	26	11	20-3/4	22-1/4

Shaft Size	E	F Bolt	G	H	J	M	Grease Cups #		
							Pipe Tap	No. Req'd	Size
3-7/16	2-3/4	3/4	1-1/4	1-1/2	6-1/32	3-1/4	1/2	1	3
3-15/16	3	3/4	1-3/8	1-5/8	6-1/2	3-1/2	1/2	1	4
4-7/16	3-1/2	7/8	1-1/2	1-3/4	7-15/32	4-1/8	1/2	1	4
4-15/16	4	7/8	1-5/8	1-7/8	8-1/32	4-1/2	1/2	1	4
5-7/16	4-1/2	1	1-3/4	2	8-15/16	5	1/2	2	3
5-15/16	5	1-1/8	1-7/8	2-1/8	9-13/16	5-1/2	1/2	2	3
6-1/2	5-1/2	1-1/8	1-7/8	2-1/4	10-11/16	6	1/2	2	4
7	6	1-1/4	2	2-3/8	11-7/16	6-1/2	1/2	2	4
7-1/2	6-1/4	1-3/8	2-1/8	2-1/2	12-1/8	6-3/4	1/2	2	4
8	6-3/4	1-3/8	2-1/4	2-1/2	12-11/16	7	1/2	2	4

# Grease cups or pressure fittings may be obtained thru our distributors; one required per pillow block u thru 4-15/16" sizes and two required for balance of sizes.

See page B13-10 for grease fitting and reducer bushing part number.

**Note:** All sizes have 4 base bolts. - 3-7/16" and larger sizes have 4 cap bolts.

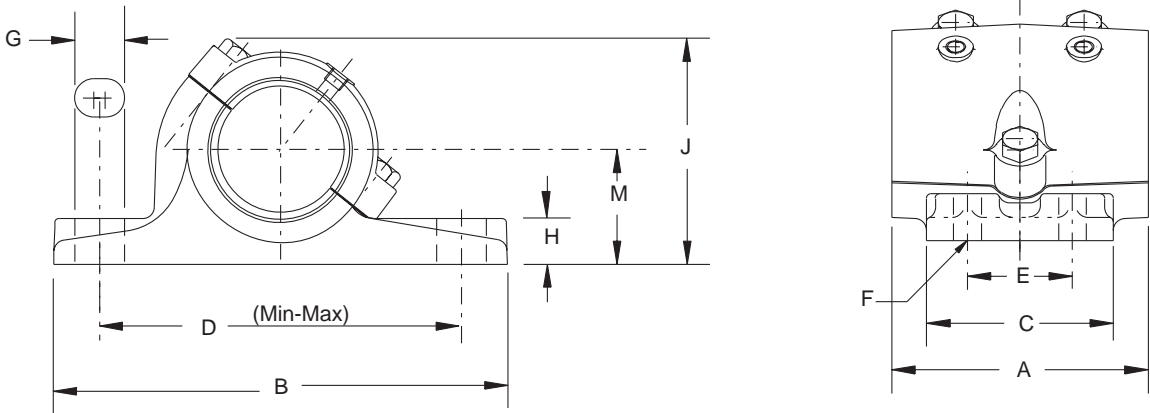
◆ No Published Metric Dimensions For This Product

FEATURES/BENEFITS PAGE B13-2	SPECIFICATION/HTO PAGE B13-4	NOMENCLATURE PAGE B13-5	SELECTION PAGE B13-6
---------------------------------	---------------------------------	----------------------------	-------------------------

# SELECTION/DIMENSIONS



## Sleeve Bearings - Bronze-Bushed 1-15/16" THRU 8" ANGLE BRONZE-BUSHED PILLOW BLOCKS



Shaft	Part No.	Description	Wt.	Used on Frame	A	B	C	D	
								Min.	Max.
1-15/16	<b>231063</b>	P4B-BZA-115	10	HD-200	4	8-1/4	3-1/2	6-5/16	6-11/16
2-3/16	<b>231069</b>	P4B-BZA-203	14	HD-200	4-1/2	8-1/2	3-1/2	6-9/16	6-15/16
2-7/16	<b>231075</b>	P4B-BZA-207	20	HD-200	5	10-1/4	4	7-11/16	8-5/16
2-11/16	<b>231081</b>	P4B-BZA-211	22	HD-250	5-1/2	10-1/2	4-1/4	7-15/16	8-9/16
2-15/16	<b>231087</b>	P4B-BZA-215	28	HD-250	6	11	4-1/2	8-7/16	9-1/16
3-7/16	<b>231096</b>	P4B-BZA-307	46	HD-300	7	13	5	10-1/16	10-15/16
3-15/16	<b>231102</b>	P4B-BZA-315	62	HD-350	8	14-3/4	5-1/2	11-7/16	12-9/16
4-7/16	<b>231108</b>	P4B-BZA-407	85	HD-400	9	16-9/16	6-5/16	12-15/16	14-1/16
4-15/16	<b>231114</b>	P4B-BZA-415	109	HD-400	10	18	7	14-5/16	15-11/16
5-7/16	<b>231120</b>	P4B-BZA-507	142	HD-500	11	19-3/4	8	15-1/16	16-7/16
5-15/16	<b>231126</b>	P4B-BZA-515	180	HD-500	12	20-1/2	8-1/2	15-13/16	17-3/16
6-1/2	<b>231135</b>	P4B-BZA-608	220	...	13	22	9-5/8	17-3/16	18-13/16
7	<b>231141</b>	P4B-BZA-700	275	...	14	23	10	18-1/4	19-3/4
8	<b>231150</b>	P4B-BZA-800	400	...	16	26	11	20-11/16	22-5/16

◆ No Published Metric Dimensions For This Product

FEATURES/BENEFITS PAGE B13-2	SPECIFICATION/HTO PAGE B13-4	NOMENCLATURE PAGE B13-5	SELECTION PAGE B13-6
---------------------------------	---------------------------------	----------------------------	-------------------------



# SELECTION/DIMENSIONS



## Sleeve Bearings - Bronze-Bushed 1-15/16" THRU 8" ANGLE BRONZE-BUSHED PILLOW BLOCKS

IMPERIAL - ISAF

UNIFIED SAF

International Bearings

Sleeve Bearing

SLEEVOIL

Shaft	E	F Bolt	G	H	J	M	Cap Bolts Quantity	Grease Cups #		
								Pipe Tap	Qty.	Size
1-15/16	1-3/4	1/2	3/4	7/8	4-11/16	2-1/4	2	1/4	1	1
2-3/16	1-3/4	1/2	3/4	1	5-1/8	2-1/2	2	3/8	1	2
2-7/16	2	5/8	1	1-1/8	5-9/16	2-3/4	2	3/8	1	2
2-11/16	2-1/4	5/8	1	1-1/4	5-7/8	3	2	3/8	1	2
2-15/16	2-1/2	5/8	1	1-3/8	6-3/8	3-1/4	2	3/8	1	2
3-7/16	2-3/4	3/4	1-1/4	1-1/2	7-1/8	3-1/2	2	1/2	1	3
3-15/16	3	3/4	1-3/8	1-5/8	7-1/2	3-3/4	3	1/2	1	4
4-7/16	3-1/2	7/8	1-1/2	1-3/4	8-1/2	4-1/8	3	1/2	1	4
4-15/16	4	7/8	1-5/8	1-7/8	9-3/16	4-1/2	3	1/2	1	4
5-7/16	4-1/2	1	1-7/8	2	10-1/4	5	3	1/2	2	3
5-15/16	5	1-1/8	1-7/8	2-3/16	11-1/16	5-1/2	3	1/2	2	3
6-1/2	5-1/2	1-1/8	2	2-1/4	12-1/8	6	4	1/2	2	4
7	6	1-1/4	2	2-3/8	13	6-1/2	4	1/2	2	4
8	6-3/4	1-3/8	2-1/4	2-1/2	14-1/16	7	4	1/2	2	4

# Grease cups or pressure fittings may be obtained thru our distributors; one required per pillows block up thru 4-15/16" sizes and two required for balance of sizes.

See page B13-10 for grease fitting and reducer bushing part number.

- Note:** 1-15/16 - 3-7/16" sizes have 2 cap bolts  
 3-15/16 - 5-15/16" sizes have 3 cap bolt (shown in diagram)  
 6-1/2" and larger have 4 cap bolts

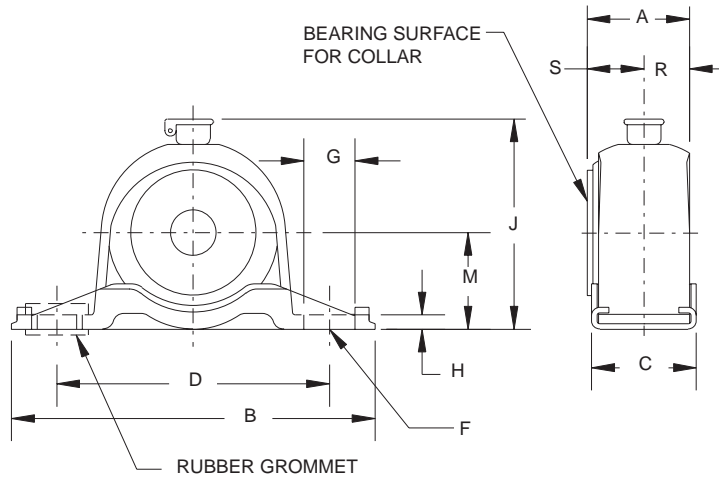
FEATURES/BENEFITS PAGE B13-2	SPECIFICATION/HTO PAGE B13-4	NOMENCLATURE PAGE B13-5	SELECTION PAGE B13-6
---------------------------------	---------------------------------	----------------------------	-------------------------



# SELECTION/DIMENSIONS



## Sleeve Bearings - BRONZOIL 1/2" THRU 1-1/4" BRONZOIL PILLOW BLOCKS



Shaft Size	Part No.	Description	Wt.	A	B	C	D
1/2	<b>035025</b>	P2B-BO-008					
5/8	<b>035026</b>	P2B-BO-010	0.6	1-1/8	4	1-3/16	3
3/4	<b>035027</b>	P2B-BO-012					
7/8	<b>035028</b>	P2B-BO-014					
15/16	<b>035029</b>	P2B-BO-015	0.5	1-1/8	4	1-3/16	3
1	<b>035030</b>	P2B-BO-100					
1-3/16	<b>035107</b>	P2B-BO-103	1.3	1-3/4	4-1/2	1-1/4	3-1/2
1-1/4	<b>035108</b>	P2B-BO-104	1.2	1-3/4	4-1/2	1-1/4	3-1/2

Shaft Size	F Bolt	G	H	J	M	R	S
1/2							
5/8	3/8	9/16	5/32	2-5/16	1-1/16	1/2	5/8
3/4							
7/8							
15/16	3/8	9/16	5/32	2-5/16	1-1/16	1/2	5/8
1							
1-3/16	3/8	9/16	5/32	2-13/16	1-5/16	7/8	7/8
1-1/4	3/8	9/16	5/32	2-13/16	1-5/16	27/32	29/32

Grommets are optional and furnished on order only. Order (2) grommet long nipples (part number 035082) for each pillow block

When grommets are used, the J and M dimensions increase by 1/16" and the H dimension by 1/8". A 5/16" bolt and a washer must be used with each grommet. Washer part number 035084.

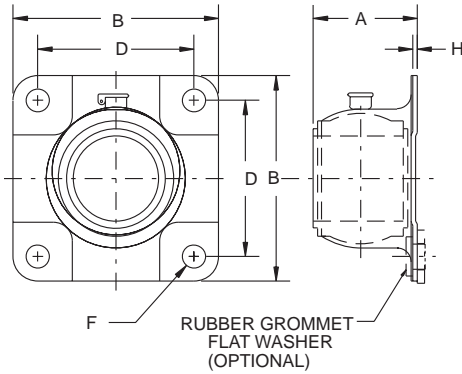
◆ No Published Metric Dimensions For This Product

FEATURES/BENEFITS PAGE B13-2	SPECIFICATION/HTO PAGE B13-4	NOMENCLATURE PAGE B13-5	SELECTION PAGE B13-6
---------------------------------	---------------------------------	----------------------------	-------------------------

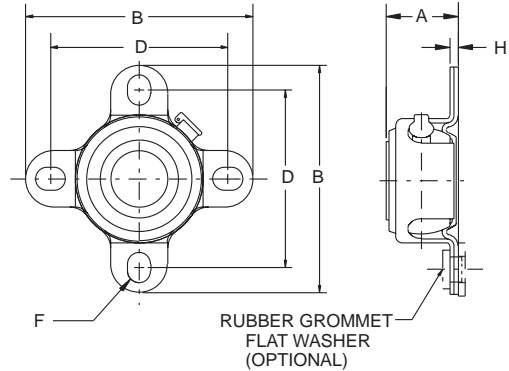
# SELECTION/DIMENSIONS



## Sleeve Bearings - BRONZOIL 1/2" THRU 1-1/4" BRONZOIL 4-BOLT FLANGE BEARING



STYLE A



STYLE B

Shaft Size	Part No.	Description	Wt.	A	B
1/2	<b>035031</b>	F4B-BO-008	0.60	1-1/4	4
5/8	<b>035032</b>	F4B-BO-010			
3/4	<b>035033</b>	F4B-BO-012			
7/8	<b>035034</b>	F4B-BO-014	0.50	1-1/4	4
15/16	<b>035035</b>	F4B-BO-013			
1	<b>035036</b>	F4B-BO-100			
1-3/16	<b>035116</b>	F4B-BO-103	1.30	1-7/8	3-5/8
1-1/4	<b>035117</b>	F4B-BO-104	1.20	1-29/32	3-5/8

Shaft Size	D	F Bolt	H	STYLE
1/2	3-1/8	3/8	5/32	B
5/8				
3/4				
7/8	3-1/8	3/8	5/32	B
15/16				
1				
1-3/16	2-3/4	3/8	1/16	A
1-1/4	2-3/4	3/8	1/16	A

Grommets are optional and furnished on order only. Order (4) grommet short nipples (part number **035083**) for each flange bearing.

When grommets are used, the A dimension increases by 1/16" and the H dimension by 1/8". A 5/16" bolt and a washer must be used with each grommet. Washer part number 035084.

◆ No Published Metric Dimensions For This Product

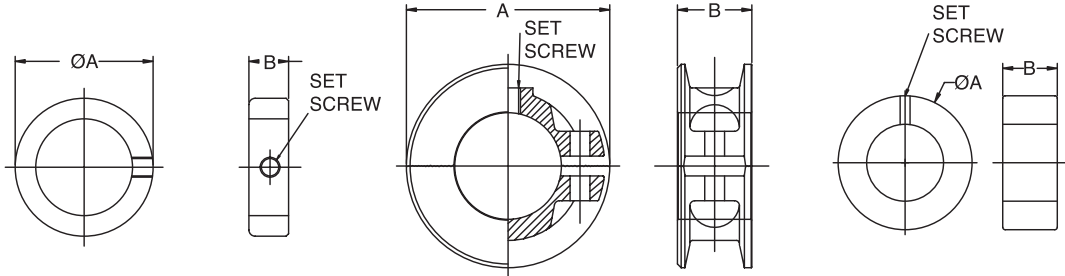
FEATURES/BENEFITS PAGE B13-2	SPECIFICATION/HTO PAGE B13-4	NOMENCLATURE PAGE B13-5	SELECTION PAGE B13-6
---------------------------------	---------------------------------	----------------------------	-------------------------



# SELECTION/DIMENSIONS



## Shaft Collars



Shaft Size	Solid Steel					
	Part Number *		Dimensions			
	Steel	Stainless	O.D. (A)	Width (B)	Screw	Wt.
1/8	----	456225	0.36	0.25	#6	0.01
3/16	040001	456226	0.44	0.25	#8	0.01
1/4	040002	456227	0.50	0.28	#10	0.01
5/16	040003	456228	0.63	0.34	#10	0.01
3/8	040004	456229	0.75	0.38	1/4	0.01
7/16	040005	----	0.88	0.44	1/4	0.05
1/2	040006	456230	1.00	0.44	1/4	0.1
9/16	040007	----	1.00	0.44	1/4	0.1
5/8	040008	456231	1.13	0.50	5/16	0.1
11/16	040009	----	1.25	0.56	5/16	0.1
3/4	040010	456232	1.25	0.56	5/16	0.1
13/16	040011	----	1.31	0.56	5/16	0.1
7/8	040012	456234	1.50	0.56	5/16	0.2
15/16	040013	----	1.63	0.56	5/16	0.2
1	040014	456234	1.63	0.63	5/16	0.2
1-1/16	040015	----	1.75	0.63	5/16	0.2
1-1/8	040016	456235	1.75	0.63	5/16	0.2
1-3/16	040017	----	2.00	0.69	3/8	0.4
1-1/4	040018	456236	2.00	0.69	3/8	0.4
1-5/16	040019	----	2.13	0.69	3/8	0.4
1-3/8	040020	----	2.13	0.75	3/8	0.4
1-7/16	040021	----	2.25	0.75	3/8	0.5
1-1/2	040022	456237	2.25	0.75	3/8	0.5
1-9/16	040023	----	2.50	0.81	3/8	0.7
1-5/8	040024	----	2.50	0.81	3/8	0.6
1-11/16	040025	----	2.50	0.81	3/8	0.6
1-3/4	040026	456238	2.75	0.88	1/2	0.8
1-7/8	040027	----	2.75	0.88	1/2	0.8
1-15/16	040028	----	3.00	0.88	1/2	1.0
2	040029	456239	3.00	0.88	1/2	1.0
2-3/16	040030	----	3.25	0.94	1/2	1.2
2-1/4	040031	----	3.25	0.94	1/2	1.2
2-7/16	040032	----	3.50	1.00	1/2	1.4
2-1/2	040033	----	3.50	1.00	1/2	1.3
2-15/16	040034	----	4.25	1.13	1/2	2.2

Shaft Size	Part Number	Solid Iron		
		Dimensions		
		O.D. (A)	Width (B)	Wt.
1-15/16	010020	3.38	1.38	2.5
2	010021	3.38	1.38	2.5
2-3/16	010024	3.75	1.38	3.0
2-7/16	010028	4.25	1.50	4.3
2-1/2	010029	4.25	1.50	4.3
2-11/16	010032	4.75	1.50	5.0
2-15/16	010036	5.00	1.63	5.6
3-3/16	010039	5.50	1.63	7.0
3-7/16	010043	5.75	1.75	7.6
3-15/16	010048	6.50	1.88	10.0
4-7/16	010051	7.25	2.00	12.0
4-15/16	010054	8.00	2.13	16.3
5-7/16	010055	8.75	2.13	18.5
5-15/16	010056	9.25	2.25	23.0
6	010057	9.25	2.25	23.0
6-1/2	010058	10.00	2.25	25.0
7	010059	10.50	3.38	32.0
7-1/2	010060	11.38	2.50	35.0
8	010061	12.13	2.88	45.0

Shaft Size	Part Number	Split Iron		
		Dimensions		
		O.D. (A)	Width (B)	Wt.
1-1/8	010075	3.13	1.25	1.3
1-3/16	010076	3.13	1.25	1.3
1-1/4	010077	3.13	1.25	1.3
1-5/16	010078	3.38	1.44	1.8
1-7/16	010080	3.38	1.44	1.8
1-1/2	010081	3.38	1.44	1.8
1-11/16	010084	3.75	1.56	2.4
1-3/4	010085	3.75	1.56	2.4
1-15/16	010088	4.06	1.75	2.6
2	010089	4.06	1.75	2.6
2-3/16	010092	4.50	1.88	3.4
2-1/4	010093	4.50	1.88	3.4
2-7/16	010096	4.44	1.88	3.8
2-1/2	010097	4.88	2.00	4.3
2-11/16	010100	5.31	2.06	5.4
2-15/16	010104	5.50	1.88	4.6
3	010105	5.50	1.88	4.4
3-3/16	010107	6.06	2.38	8.0
3-7/16	010110	6.06	2.38	6.0
3-11/16	010112	6.81	2.63	10.6
3-15/16	010114	7.00	2.75	9.0
4-7/16	010117	8.13	3.31	17.0
4-15/16	010120	8.50	3.25	20.8
5-7/16	010123	9.00	3.25	23.0
5-15/16	010126	9.50	3.25	23.7
6	010127	10.13	4.06	35.0
6-1/2	010128	11.00	4.25	41.0
7	010129	12.00	4.50	46.0
7-1/2	010130	12.94	4.69	56.0
8	010131	13.50	4.88	71.0

**NOTE:** Solid and Split iron collars have one set screw thru 3-1/4" bore size. 3-3/16" and larger bores have two setscrews.

**NOTE:** Steel is mild carbon steel.  
Stainless is 300-series stainless.  
All sizes are fitted with one setscrew.

FEATURES/BENEFITS PAGE B13-2	SPECIFICATION/HTO PAGE B13-4	NOMENCLATURE PAGE B13-5	SELECTION PAGE B13-6
---------------------------------	---------------------------------	----------------------------	-------------------------

# CONTENTS



## SLEEVOIL®

### Features / Benefits

R Series Pillow Block ..... B14-3

RTL Series Pillow Block ..... B14-4

P Series Pillow Block ..... B14-5

Specification/How To Order ..... B14-6

Nomenclature ..... B14-7

### Selection

Computer ..... B14-9

Manual ..... B14-11

### Selection/Dimensions

R Series Pillow Block ..... B14-16

RTL Series Pillow Block ..... B14-24

P Series Pillow Block ..... B14-26

### Modifications/Accessories

End Cap Kits ..... B14-30

Auxiliary Seal Kits ..... B14-32

T Section Oil Ring ..... B14-33

Smooth Bore Oil Ring ..... B14-34

Vibration Detector Adapter Kit ..... B14-35

Circulating Oil System ..... B14-36

Oil Level And Filtration System ..... B14-38

Part Number Index ..... INDEX-1

Key Word Index ..... INDEX-34

IMPERIAL - ISAF

UNIFIED SAF

International Bearings

Sleeve Bearing

SLEEVOIL

# NOTES

---



IMPERIAL - ISAF

UNIFIED SAF

International Bearings

Sleeve Bearing

SLEEVOIL

# FEATURES/BENEFITS



## SLEEVOIL

### GENERAL OPERATING CHARACTERISTICS

Though originally designed for the exacting requirements of the air handling industry, R Series SLEEVOIL pillow blocks are suitable for a wide range of industrial applications where a precision built, split, babbitted, ring-oiled bearing is required which is self aligning and quiet in operation.

SLEEVOIL pillow blocks have good cooling capabilities. Water cooled (WC) and externally cooled (XC) types operate at higher speeds and load ranges than plain units and function well near high temperature sources.

### WHERE SLEEVOIL BEARINGS ARE CURRENTLY USED

- Fans & Blowers
- Motors
- Generators
- Dynamometers
- Test Stands
- Compressors
- Pumps
- Turbines

### SLEEVOIL R Series Pillow Block

- 1-7/16" size is stocked as a Plain pillow block
- 1-11/16" - 3-7/16" sizes are stocked as Plain/Water cooled (PLWC) pillow block
- 3-15/16" - 8" sizes are stocked as Plain/Externally Cooled (PLXC) pillow blocks (standard and short series)
- PLXC Liner Only

### FEATURES AND BENEFITS SLEEVOIL

- Fully split housing for trouble-free assembly and disassembly
- Rugged construction using gray iron housing and liner for durability
- Babbitt lining offers conformability and shaft protection
- Completely self-aligning as a result of ball and socket mounting between liner and base
- Dependable oil ring lubrication with self-contained oil supply
- Convenient oil gage can be positioned on either side of housing
- Proven reliability and dependable performance guard against catastrophic failures.
- Extended life is a plus with no metal-to-metal contact during operation. More than ten times the theoretical life of anti-friction bearings
- High speed capabilities because of self-pressurized full oil film
- Adequate vibration dampening is handled by the hydrodynamic oil film which absorbs shock
- Effective heat transfer accomplished by journal surrounded by improved coolant chambers
- Quiet operation accomplished by full separation of mating parts

IMPERIAL - ISAF

UNIFIED SAF

International Bearings

Sleeve Bearing

SLEEVOIL



PLXC



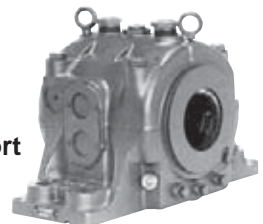
STL (Standard)



PLWC Pillow

**NOTE:**  
Also available: Water Cooled Replacement Liners. (WC repl) - Small pipes

SSL (Short Series)



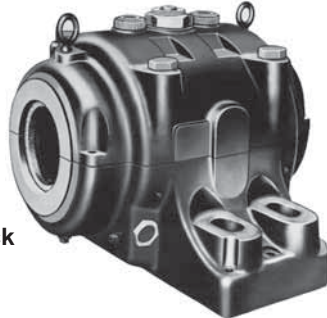
## FEATURES/BENEFITS

**DODGE**<sup>®</sup>

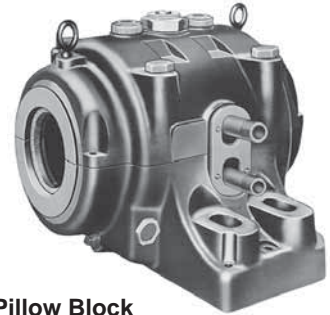


### SLEEVOIL R Series Pillow Block

- 9" - 14" sizes



Plain Pillow Block



XC Pillow Block

### SLEEVOIL R Series Pillow Block

- All R series jacketed liners designated as XC can be air, oil, or water cooled.
- Thrust collars convert the expansion bearing into a non-expansion bearing.
- Short series housings require less shaft space and are for expansion bearings only.
- 3-7/16, and larger bore housings are pre-machined for thermocouples, heaters, thermostats, vibration detector adapter kits, auxiliary seal kits, end cap kits and circulating oil kits.
- 3-15/16 - 8, water cooled replacement (WC repl) liners fit in the R series housings. WC repl liners have small pipes.
- PLXC Liners will not fit in old WC housings (prior to 1973); R Series housing is required.

## SLEEVOIL

### RTL Series Pillow Block 3-7/16" - 12" Sizes

#### General Operating Characteristics

RTL pillow block blocks offer excellent radial and thrust load capacities. Large coolant chambers provide especially effective heat dissipation when used with circulating coolant systems. This provides exceptionally strong bearing performance near high heat sources or gases.

The inner liner of the RTL has a center cavity which provides flooding lubrication to the thrust plates. This cavity acts as a reservoir to provide lubrication even during start-up and divides the radial area into two individual load sections. A single thrust collar is required. If a split collar is used, a shaft recess is necessary.

Coolant chambers, which cool both the thrust plates and radial load sections, are of sufficient size to allow the use of water, air, or oil as the internal coolant.

Expansion pillow blocks are furnished as standard. When non-expansion blocks are specified, a thrust collar and thrust plate kit are required.



RTL Series Pillow Block

- Reliable high speed operation.
- Three times the thrust load capability of the R series.
- Suitable for operation near high heat sources.
- Pre-machined for thermocouples, circulating oil kit, vibration detector adapter kit, auxiliary seal kits, end cap kit, heater and thermostat.



# FEATURES/BENEFITS



## SLEEVOIL

### P Series Pillow Block

80mm - 250mm Sizes



P Series Pedestal

### General Operating Characteristics

P Series pedestal bearings are designed to operate in a very wide range of speeds, with bidirectional, tin babbitted radial and thrust bearing profiles. A superior oil ring and a large number of fins on both the inboard and outboard sides of the lower housing allow cooler operation.

The P Series Pedestal Bearing is dimensionally interchangeable with all DIN 31690 and ISO11687-1 bearings. All components are fully split. Housings are pre-machined for thermocouples, circulating oil, heaters and thermostats. The P Series is used on motors,

generators, fans, test stands, dynamometers, pumps, compressors and other turbomachinery. Housing sizes 9-22 are standard. Other sizes are available.

### High-Performance Features

- Fully split components allow trouble free assembly and disassembly
- High-tin babbitt liners assure conformability and shaft protection
- Greater housing surface area and sump capacity for cooler operating temperatures
- Engineered oil ring delivers maximum lubricant to bearing
- Pre-machined for circulating oil, thermocouples, heaters, and thermostats
- Floating or fixed labyrinth oil seals meet IP44; optional IP55 and IP56 protection available
- Fixed labyrinth oil seals are premachined for Bently Nevada proximity probe housing
- Grounding and insulation options available

IMPERIAL - ISAF

UNIFIED SAF

International Bearings

Sleeve Bearing

SLEEVOIL



## SLEEVOIL

- **Fully Split Housing** for trouble-free assembly and disassembly
- **Rugged Construction** using gray iron housing and liner for durability
- **Babbitt Lining** offers conformability and shaft protection
- **Completely Self-Aligning** as a result of ball and socket mounting between liner and base
- **Dependable Oil Ring Lubrication** with self-contained oil supply
- **Convenient Oil Gage** can be positioned at one end either side of housing
- **Proven Reliability** and dependable performance guard against catastrophic failures
- **Extended Life** is a plus with no metal-to-metal contact during operation. More than ten times the theoretical life of anti-friction bearings
- **High Speed Capabilities** because of self-pressurized full oil film
- **Adequate Vibration Dampening** is handled by the hydrodynamic oil film which absorbs shock
- **Effective Heat Transfer** accomplished by journal surrounded by improved coolant chambers
- **Quiet Operation** accomplished by full separation of mating parts

### How To Order Traditional And DIN SLEEVOIL

There are two ways to specify DODGE SLEEVOIL Bearings. Most of the product offering have part numbers with listings shown throughout this catalog. Use of part numbers ensures accurate order processing.

When part numbers are not shown, the product may be specified by description or part number. This method is used when ordering units that include special modifications or options. To order by description, use the nomenclature shown on pages B14-7 and B14-8; plus add any special instructions, drawings, data sheets and specific information to the end of the description for options not covered by the nomenclature.

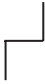

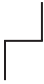
FEATURES/BENEFITS PAGE B14-3	NOMENCLATURE PAGE B14-7	SELECTION PAGE B14-9	SELECTION/DIMENSIONS PAGE B14-16
---------------------------------	----------------------------	-------------------------	-------------------------------------

# NOMENCLATURE



## SLEEVOIL

### SLEEVOIL BEARING NOMENCLATURE - R &RTL SERIES:

<div style="text-align: center;"> <b>STYLE</b>  <u>RTL</u>    <b>STYLE:</b> </div>		-	<div style="text-align: center;"> <b>PRODUCT</b>  <u>TPK</u>    <b>PRODUCT:</b> </div>		-	<div style="text-align: center;"> <b>SHAFT SIZE</b>  <u>307</u>    <b>SHAFT SIZE:</b> </div>	
STD	Standard Series		PB	Pillow Block		307	First Digit: Number Of Inches
PLWC	Plain/Water Cooled		HSG	Housing			Second & Third Digit:
SSL	Short Series Loaded		LNR	Liner Assembly			307 Indicates 3-7/16"
STL	Standard Series Loaded		TC	Thrust Collar			
RTL	Radial Thrust Loaded		TPK	Thrust Plate Kit			
PL	Plain		ASK	Auxiliary Seal Kit			
PLXC	Plain/Externally Cooled		ECK	Housing End Cap Kit			
SSH	Short Series		COGK	Circulating Oil Grommet Kit			
XC	Externally Cooled		VDAK	Vibration Detector Adapter Kit			
			HK	Heater Kit			
			TK	Thermostat Kit			
			WHK	Water Hose Kit			
			PLXC	Plain Externally Cooled			
			PL	Plain			
			XC	Externally Cooled			
			WCR	Water Cooled Replacement			
			NEC	Neoprene End Closure			
			GK	Grommet Kit			
			BTP	Bronze Thrust Plates (BTP1-Type 1 Lower Liner Only; BTP2-Type 2 Upper & Lower Liner)			
			SBTP	Shims For Bronze Thrust Plates			
			SSR	Split Seal Ring			
			TCK	Thrust Collar Kit			

IMPERIAL - ISAF

UNIFIED SAF

International Bearings

Sleeve Bearing

SLEEVOIL

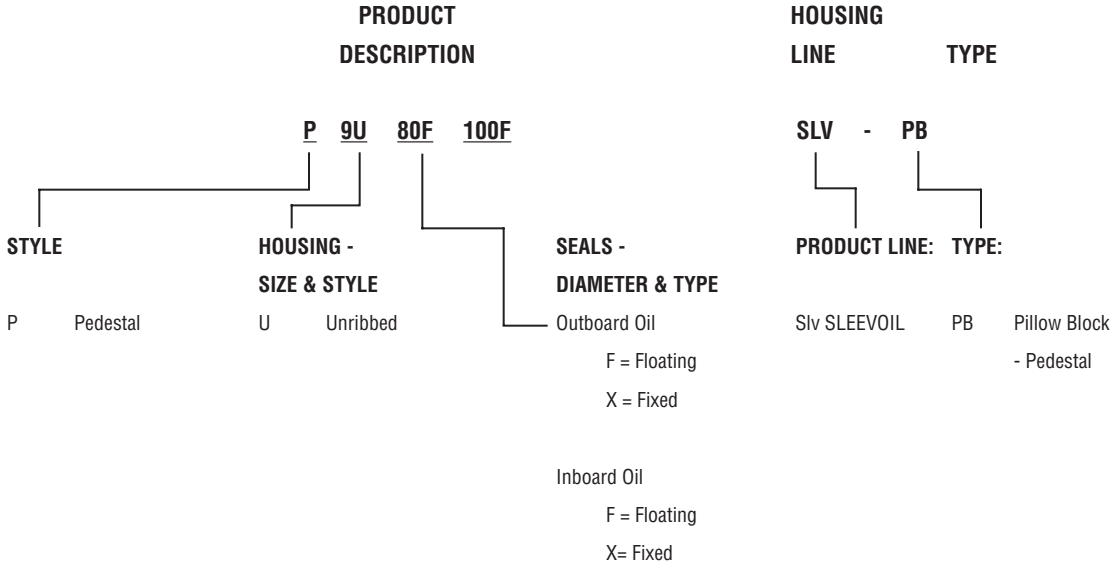
FEATURES/BENEFITS PAGE B14-3	SPECIFICATION/HTO PAGE B14-6	SELECTION PAGE B14-9	SELECTION/DIMENSIONS PAGE B14-16
---------------------------------	---------------------------------	-------------------------	-------------------------------------

# NOMENCLATURE



## SLEEVOIL

### SLEEVOIL DIN (metric) BEARING NOMENCLATURE - P SERIES



IMPERIAL - ISAF

UNIFIED SAF

International Bearings

Sleeve Bearing

SLEEVOIL

# SELECTION



## SLEEVOIL

**DODGE/Reliance Electric**  
**P.O. BOX 499**  
**6040 PONDRS COURT**  
**GREENVILLE, SC 29602-0499**  
**ATTENTION: SLEEVOIL BEARING APPLICATION ENGINEERING**  
**FAX - (864) 281-2317    PHONE - (864) 281-2167 OR (864) 281-2253**  
**SLEEVOIL - Bearing Application Inquire Form**

Please provide the information by mail, phone or fax

Company Name: \_\_\_\_\_ Date: \_\_\_\_\_

Address: \_\_\_\_\_ Response Date: \_\_\_\_\_

Contact Name: \_\_\_\_\_ Phone: ( ) \_\_\_\_\_

Customer Reference: \_\_\_\_\_ Fax: ( ) \_\_\_\_\_

Installation and Arrangement: \_\_\_\_\_

Bearing Size in Inches: \_\_\_\_\_ Shaft Speed  Constant \_\_\_\_\_ RPM

Variable MAX \_\_\_\_\_ MIN \_\_\_\_\_

Turning Gear \_\_\_\_\_

Type of Coolant:

Plain (None)     Water Cooled     Air Cooled     Plain - Circ. Oil     Water Cooled - Circ. Oil

SAE 10     SAE 20     SAE 30    Other \_\_\_\_\_

ISO 32     SO 68     ISO 100

Expected Temperature:

Ambient    MAX \_\_\_\_\_ °F    MIN \_\_\_\_\_ °F    Water Inlet    MAX \_\_\_\_\_ °F    MIN \_\_\_\_\_ °F

Air Inlet    MAX \_\_\_\_\_ °F    MIN \_\_\_\_\_ °F    Oil Inlet    MAX \_\_\_\_\_ °F    MIN \_\_\_\_\_ °F

Air Velocity over Bearing Housing (FPM): \_\_\_\_\_

**FIXED**  
(Non-Expansion)

RTL     RXT

STL     P

**FREE**  
(Expansion)

RTL     RXT

STL     P

SSL

Radial Load: \_\_\_\_\_ Lbs.

Lbs. Thrust Load: \_\_\_\_\_ Lbs.

Loading:     Base     Cap     Base     Cap

Cooling Wheel:     Yes     No     Yes     No

External Heat Source (Fan Temperature)    \_\_\_\_\_ ° F

Closest Part of Bearing to Heat Source:    \_\_\_\_\_ Inches    \_\_\_\_\_ Inches

(Includes Aux. Seals or Reverse Mount Seals)

Indicate direction of resultant load. Show approximate angle for each bearing.



Remarks: State any unusual conditions such as shock loads, changes in thrust loads, low speed requirements, hot shaft start-ups, environmental conditions (dust, chemicals, gases), etc.

FEATURES/BENEFITS PAGE B14-3	SPECIFICATION/HTO PAGE B14-6	NOMENCLATURE PAGE B14-7	SELECTION/DIMENSIONS PAGE B14-16
---------------------------------	---------------------------------	----------------------------	-------------------------------------



# SELECTION



## SLEEVOIL

IMPERIAL - ISAF

UNIFIED SAF

International Bearings

Sleeve Bearing

SLEEVOIL

**COMPUTER ASSIST SELECTION**

TYPE: 1  
 PROGRAM: RELEASE 1.1  
 SERIAL NO: 123456789  
 DATE: 12/15/88

1. BORE SIZE AND NAME OF SLEEVOIL BEARING: 1.5000 IN. SLEEVOIL 410 WATER COOLED NON-EXPANSION BEARING

2. BEARING CONFIGURATION: PLAIN

3. BEARING TYPE: EXPANSION

4. INPUT DATA WITH DEFAULT VALUES:

HEAT GENERATION	TOTAL	1.500	HP
RADIANT		1.100	HP
THRUST		0.400	HP
WATER		0.000	HP

5. HEAT DISSIPATION RESULTS:

HEAT DISSIPATION	TOTAL	1.500	HP
RADIANT		1.100	HP
THRUST		0.400	HP
WATER		0.000	HP

6. MAXIMUM OPERATING TEMPERATURE: 170.0 DEGREES F

7. COEFFICIENTS OF FILM AND INSTABILITY THRESHOLD:

MAX	1.000	1.000
MIN	1.000	1.000
AVG	1.000	1.000
STD	1.000	1.000

8. BEARING UNCONDITIONALLY SATISFIED

9. ACCEPTANCE OF PERFORMED SELECTION, DATE AND HOUR: 12/15/88 10:00 AM

1. Bore size and name of SLEEVOIL bearing.
2. Defines plain, circulating oil, or water cooled configurations.
3. States expansion or non-expansion type of bearing.
4. Repeat input data with default values if needed.
5. Presents heat generation and dissipation results.
6. Shows oil temperature rise needed for circulating oil system selection, maximum operating temperature responding to babbitt temperature and radial or thrust bearing minimum oil film thickness.
7. Dynamic coefficients of the film and instability threshold.
8. If calculations made for base or cap loaded bearing or bearing undercut was performed, a statement is issued.
9. Acceptance of performed selection, date and hour.

FEATURES/BENEFITS PAGE B14-3	SPECIFICATION/HTO PAGE B14-6	NOMENCLATURE PAGE B14-7	SELECTION/DIMENSIONS PAGE B14-16
---------------------------------	---------------------------------	----------------------------	-------------------------------------

# SELECTION



## SLEEVOIL

### Selection and Load Ratings for Standard and Short Series SLEEVOIL Pillow Blocks

**Note**-Fast accurate computer selection is now available for all stock as well as special SLEEVOIL applications. If you prefer, this page and the tables that follow will allow you to do so.

**Important-Ratings apply to both Standard and Short Series (SSL) SLEEVOIL pillow blocks. For SLEEVOIL RTL pillow blocks use data sheet on page B14-9 and consult DODGE.**

Follow the steps below to check whether the particular bearing in question has an adequate load rating. For operating conditions other than listed under "Basis of Load Ratings" - consult factory.

**Step 1.** Depending on the type of bearing used, refer to either the second or third column in Table on the following page. Using the actual thrust load to be carried by the bearing and interpolating between the thrust loads given in the column, trace to the right to the column headed by the actual RPM and note the "Equivalent RPM". Interpolate when required in this and the following steps.

**Step 2.** Depending on the type of bearing used, refer to the applicable one of Table thru 23. Using the Equivalent RPM, note

the radial load rating. Disregard the SAE number of the oil. If the rating is less than the actual radial load, either a larger or a different type bearing, for example externally cooled instead of plain, is required.

**Step 3.** Multiply the actual radial load by the Equivalent RPM and divide this product by the actual RPM. This result must not be greater than the bearing rating at the actual RPM. If greater, either a larger or a different type bearing is required. If the bearing rating is adequate, note the SAE number of the required oil.

**Step 4.** Refer to Table . From whichever one of the second or third columns that was used in Step 1, trace right to the applicable one of the fourth, fifth or sixth columns. Note the minimum radial load required by the actual thrust load. If the actual radial load exceeds this requirement, the bearing selected has adequate capacity.

#### Basis of Load Ratings

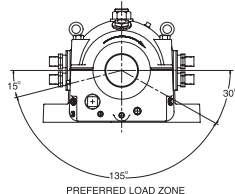
Load ratings are based on the four operating conditions stated below. For other conditions consult DODGE.

1. The oil specified under each rating should be used. The use of a different oil may reduce the allowable load and speed. The oils listed are:

SAE10 Oil: 183 SUS at 100 F or 46 SUS at 210 F.

SAE20 Oil: 348 SUS at 100 F or 57 SUS at 210 F. SAE30 Oil:

489 SUS at 100 F or 65 SUS at 210 F.



2. The resultant radial load should be located within the 135 preferred zone-see drawing. If located outside this the allowable load and speed are reduced

3. The diameter of the shaft journal surface must be held to a tolerance of  $+0.000'' / -0.002''$  with a surface finish of 32 micro-inches or better.

4. Ratings are based on an ambient (surrounding) temperature of 90 F and the assumption that, if the shaft transmits heat from an external source such as an oven, the shaft temperature at the bearing will not exceed 90. Higher temperatures will reduce (and lower temperatures increase) the allowable load and speed.

**Special Construction and Conditions** Load and speed may be increased by certain means such as decreased temperatures and changes in clearances between bearing and shaft-consult DODGE. For operating conditions not covered, for special high capacity units with hydrostatic or segmented thrust members, or for optimum computer selection for special applications-consult DODGE.

#### EXAMPLES OF SELECTION

##### Example No. 1

Check the adequacy of a 34 15/6, SLEEVOIL plain pillow block to carry 1800 pounds actual radial load and 130 pounds actual thrust load at 700 RPM.

**Step 1.** Refer to the second column in Table 1. The actual thrust load of 130 pounds is between the 0 and 336 values listed. Trace to the right to the column headed by the actual RPM of 700 and obtain 951 Equivalent RPM by interpolation between the 700 and 1350 values listed.

**Step 2.** Refer to Table 2. For 1000 Equivalent RPM note the radial load rating of 2990 which is adequate.

**Step 3.** 1800 Actual radial load x 1000 B 700 = 2570. This is not greater than the 2920 rating in the 700 RPM column; hence, the bearing is adequate. Note that SAE30 oil is required.

**Step 4.** Interpolating in the fourth column of Table between the 0 and 790 values, the minimum radial load required is 305 pounds. The actual radial load of 1800 pounds meets this requirement. Because Steps 2, 3 and 4 checked satisfactorily, the bearing is adequate for the actual loads to be carried.

##### Example No. 2

Check the adequacy of a 4-7/16, SLEEVOIL plain pillow block to carry 1800 pounds actual radial load and 350 pounds actual thrust load at 700 RPM.

**Step 1.** Refer to the second column in Table 1. The actual thrust load of 350 pounds is between the 342 and 909 values listed. Trace to the right to the column headed by the actual RPM of 700 and obtain 1405 Equivalent RPM by interpolation between the 1360 and 1480 values listed.

**Step 2.** Refer to Table 2. For 1387 Equivalent RPM note the radial load rating of 2555 which is adequate.

**Step 3.** 1800 Actual radial load x 1387 B 700 = 3570. This is not greater than the 3770 rating in the 700 RPM column; hence, the bearing is adequate. Note that SAE30 oil is required.

**Step 4.** Refer to the fourth column in Table 1. Note that for 350 pounds thrust load, the minimum radial load requirement is 1000 pounds. The actual radial load of 1800 pounds meets this requirement.

Because Steps 2, 3 and 4 checked satisfactorily, the bearing is adequate for the actual loads.

FEATURES/BENEFITS PAGE B14-3	SPECIFICATION/HTO PAGE B14-6	NOMENCLATURE PAGE B14-7	SELECTION/DIMENSIONS PAGE B14-16
---------------------------------	---------------------------------	----------------------------	-------------------------------------



# SELECTION



## SLEEVOIL

**Table 1: Thrust Load Data**

Standard and Short Series SLEEVOIL Pillow Blocks  
 (See instructions on page B14-11 or fill out data sheet on page B14-9)  
 Not to be used for SLEEVOIL RTL Pillow Blocks

**Thrust Load Rating in Pounds**

Shaft Size	Thrust Loads ▲		Minimum Radial Load for Thrust Load ★		"Equivalent RPM" is given in the body of the table. = Columns are headed by actual RPM."																
	Plain & Circulating Oil	Externally Cooled	Plain & Circulating Oil	Externally Cooled	250	300	400	500	600	700	800	1000	1200	1400	1600	2000	2500	3000	4000	5000	6000
					0	0	0	0	0	0	0	0	0	0	0	0	0	0	0	0	0
1-7/16	0	....	....	....	250	300	400	500	600	700	800	1000	1200	1400	1600	2000	2500	3000	4000	5000	6000
1-1/2	26* 65	.... ....	110 110	.... ....	550 650	600 800	800 1000	1000 1200	1200 1450	1350 1600	1500 1800	1800 2150	2100 2500	2400 2800	2650 3100	3100 3650	3750 4250	43004 6000	5350 6000	6400 7000	7400 8000
1-11/16	0	0	0	0	250	300	400	500	600	700	800	1000	1200	1400	1600	2000	2500	3000	4000	5000	6000
1-3/4	39* 98	39* 98	150 150	270 270	520 600	600 710	800 930	980 1150	1140 1330	1300 1510	1470 1700	1780 2040	2080 2370	2350 2690	2620 2980	3100 3540	3760 4190	4220 5890	5290 6980	6320 8050	7380 8050
1-15/16	0	0	0	0	250	300	400	500	600	700	800	1000	1200	1400	1600	2000	2500	3000	4000	5000	6000
2	46* 116	46* 116	190 190	350 350	510 550	600 680	800 850	980 1050	1090 1220	1240 1400	1400 1560	1690 1880	1960 2200	2220 2490	2450 2800	2880 3280	3430 3850	3950 4410	5000 5500	6040 6560	7060 7610
2-3/16	0	50*	0	0	250	300	400	500	600	700	800	1000	1200	1400	1600	2000	2500	3000	4000	5000	6000
2-1/4	50* 127	127	250	440	450 540	520 650	700 840	840 1020	1000 1200	1140 1360	1280 1520	1560 1820	1810 2100	2100 2400	2320 2640	2760 3090	3280 3650	3810 4200	4840 5500	5880 6560	6330 7610
2-7/16	0	0	0	0	250	300	400	500	600	700	800	1000	1200	1400	1600	2000	2500	3000	4000	5000	6000
2-1/2	57* 140	46* 140	300 300	550 550	420 480	500 590	650 750	800 940	940 1090	1090 1250	1220 1400	1490 1680	1700 2000	1970 2240	2190 2460	2620 2900	3140 3460	3660 3990	4680 5040	5710 6090	6900
2-11/16	0	0	0	0	250	300	400	500	600	700	800	1000	1200	1400	1600	2000	2500	3000	4000	5000	6000
2-3/4	78* 195	78* 195	370 370	670 670	440 540	520 630	680 820	830 1000	1000 1160	1130 1320	1280 1480	1540 1760	1780 2040	2000 2280	2220 2500	2640 2950	3180 3500	3690 4040	4720 5090	5900	7380
2-15/16	0	0	0	0	250	300	400	500	600	700	800	1000	1200	1400	1600	2000	2500	3000	4000	5000	6000
3	85* 212	85* 212	440 440	790 790	420 480	500 570	650 730	800 900	950 1040	1080 1200	1220 1350	1480 1690	1700 1930	1920 2160	2130 2380	2640 2950	3060 3350	3590 3910	4610 4940	6000	7380
3-7/16	0	0	0	0	250	300	400	500	600	700	800	1000	1200	1400	1600	2000	2500	3000	4000	5000	6000
3-1/2	124* 309	124* 309	600 600	1090 1090	450 540	530 630	700 810	850 980	990 1130	1120 1280	1250 1420	1480 1690	1690 1920	1910 2150	2120 2370	2540 2810	3060 3400	3580 3870	4610	6000	7380
3-15/16	0	0	0	0	250	300	400	500	600	700	800	1000	1200	1400	1600	2000	2500	3000	4000	5000	6000
4	336* 566	336* 566	790 790	1420 1420	570 640	670 750	860 950	1050 1130	1200 1300	1350 1460	1500 1650	1740 1910	1970 2160	2200 2400	2430 2630	2880 3090	3410 3640	3950 4190	6000	7380	8000
4-7/16	0	0	0	0	250	300	400	500	600	700	800	1000	1200	1400	1600	2000	2500	3000	4000	5000	6000
4-1/2	342* 909	459 909	1000 1000	1800 1800	570 640	680 760	870 960	1040 1150	1040 1320	1360 1480	1510 1670	1760 1930	2000 2180	2230 2430	2460 2660	2900 3120	3440 3680	6000	7380	8000	8000
4-15/16	0	0	0	0	250	300	400	500	600	700	800	1000	1200	1400	1600	2000	2500	3000	4000	5000	6000
5	519* 916	519 916	1230 1230	2220 2220	520 590	600 700	780 880	950 1060	950 1280	1290 1410	1410 1550	1640 1800	1870 2040	2100 2270	2320 2500	2760 2940	3280 3490	6000	7380	8000	8000
5-7/16	0	0	0	0	250	300	400	500	600	700	800	1000	1200	1400	1600	2000	2500	3000	4000	5000	6000
6	636* 1168	636 1168	1500 1500	2690 2690	570 660	670 760	830 950	990 1120	1140 1260	1270 1390	1390 1520	1620 1770	1850 2000	2080 2240	2300 2460	2720 2910	6000	7380	8000	8000	8000
7	756* 1362	756 1362	18001 800	3240 3240	560 650	670 750	840 930	970 1070	1090 1200	1210 1320	1330 1450	1560 1690	1780 1920	2000 2150	2220 2370	2640 2810	6000	7380	8000	8000	8000
8	1089* 2133	1089 2133	2450 2450	4410 4410	630 700	700 770	840 930	970 1070	1090 1200	1210 1330	1330 1450	1560 1690	1780 1920	2000 2150	2220 2380	6000	7380	8000	8000	8000	8000
9	1368* 2654	1368 2654	3200 3200	5750 5750	580 660	660 740	800 880	920 1020	1040 1150	1160 1270	1280 1390	1500 1630	1730 1850	1940 2080	2160 2300	6000	7380	8000	8000	8000	8000
10	1671* 3375	1890 3742	3600 3600	6890 6890	420 450	480 530	630 680	780 850	910 990	1050 1130	1190 1280	1450 1560	1720 1860	1980 2040	6000	7380	8000	8000	8000	8000	8000
12	1770* 2784	2970 6975	5400 5400	10800 10800	500 550	560 620	680 750	800 870	970 990	1020 1100	1130 1210	1350 1430	6000	7380	8000	8000	8000	8000	8000	8000	8000

Interpolate for intermediate loads and speeds.

▲ See "Special Constructions and Conditions" on preceding page.

\* Special modifications required if thrust loads exceed this value-consult Dodge.

= "Equivalent RPM" instead of actual RPM is required for Radial Load Table 1 thru Table 4 when thrust load is also carried-see preceding page.

★ If radial load is less than minimum, consult DODGE for bore modification to insure satisfactory operation."

FEATURES/BENEFITS PAGE B14-3	SPECIFICATION/HTO PAGE B14-6	NOMENCLATURE PAGE B14-7	SELECTION/DIMENSIONS PAGE B14-16
---------------------------------	---------------------------------	----------------------------	-------------------------------------



# SELECTION



## SLEEVOIL

Table 2: Thrust Load Data

Standard and Short Series SLEEVOIL Pillow Blocks  
(See instructions on page B14-11 or fill out data sheet on page B14-9)  
Not to be used for SLEEVOIL RTL Pillow Blocks

### Radial Load Ratings in Pounds

Shaft Size	Item	Radial Load Rating at Various Revolutions per Minute ★																	
		250	300	350	400	450	500	550	600	650	700	750	800	900	1000	1100	1200	1300	1400
1-7/16	Load	60	70	80	95	105	115	130	140	155	165	175	180	190	200	205	210	210	210
1-1/2	Oil	30	30	30	30	30	30	30	30	30	30	30	30	30	30	30	30	30	30
1-11/16	Load	140	170	200	220	240	260	265	275	290	295	300	310	325	330	335	340	340	340
1-3/4	Oil	30	30	30	30	30	30	30	30	30	30	30	30	30	30	30	30	30	30
1-15/16	Load	270	300	325	350	370	395	410	420	425	440	450	450	460	460	465	465	470	470
2	Oil	30	30	30	30	30	30	30	30	30	30	30	30	30	30	30	30	30	30
2-3/16	Load	365	410	430	470	490	520	540	560	570	580	590	600	600	610	610	620	620	630
2-1/4	Oil	30	30	30	30	30	30	30	30	30	30	30	30	30	30	30	30	30	30
2-7/16	Load	575	610	660	690	730	755	780	790	805	815	830	830	840	850	860	875	875	890
2-1/2	Oil	30	30	30	30	30	30	30	30	30	30	30	30	30	30	30	30	30	30
2-11/16	Load	815	875	930	1000	1020	1060	1100	1120	1140	1150	1150	1170	1180	1180	1200	1200	1200	1200
2-3/4	Oil	30	30	30	30	30	30	30	30	30	30	30	30	30	30	30	30	30	30
2-15/16	Load	1060	1140	1200	1250	1280	1320	1340	1350	1350	1360	1360	1370	1370	1380	1390	1390	1390	1390
3	Oil	30	30	30	30	30	30	30	30	30	30	30	30	30	30	30	30	30	30
3-7/16	Load	1580	1700	1800	1870	1900	1940	1960	1960	1970	1970	1980	1980	1980	2000	2000	2020	2020	1830
3-1/2	Oil	30	30	30	30	30	30	30	30	30	30	30	30	30	30	30	30	30	30
3-15/16	Load	2460	2650	2740	2840	2860	2870	2890	2900	2910	2920	2930	2950	2960	2990	2990	2710	2610	2140
4	Oil	30	30	30	30	30	30	30	30	30	30	30	30	30	30	30	30	20	20
4-7/16	Load	3280	3480	3600	3680	3700	3720	3730	3740	3760	3770	3780	3790	3790	3840	3240	3200	2520	2560
4-1/2	Oil	30	30	30	30	30	30	30	30	30	30	30	30	30	20	20	20	20	20
4-15/16	Load	4700	4850	5000	5050	5100	5100	5150	5170	5220	5220	5320	5370	5470	4200	4050	3500	3500	3110
5	Oil	30	30	30	30	30	30	30	30	30	30	30	30	20	20	20	20	20	20
5-7/16	Load	6000	6200	6290	6290	6290	6290	6290	6290	6290	6290	6290	6290	5390	4790	4310	4310	3590	2630
5-1/2	Oil	30	30	30	30	30	30	30	30	30	30	30	20	20	10	10	10	10	10
6	Load	8600	8600	8640	8640	8640	8640	8640	8640	8640	7700	7700	7200	7200	5900	1300			
	Oil	30	30	30	30	30	30	30	30	30	20	20	10	10	10	10			
7	Load	14000	14500	14500	14500	14500	14500	14500	12700	12100	9800	9800	9800	7650	3140				
	Oil	30	30	30	30	30	30	30	30	30	20	10	10	10	10				
8	Load	20000	20000	20400	20400	20400	20400	17700	16600	14200	14200	14200	11300	5640					
	Oil	30	30	30	30	30	30	20	20	10	10	10	10	10					
9	Load	25000	25000	25000	25000	25000	22500	22500	17000	17000	18000	11900	10000	4600					
	Oil	30	30	30	30	30	20	20	10	10	10	10	10	10					
10	Load	31000	31000	31000	28200	21400	21400	19200	13400	8320	2880								
	Oil	30	30	30	20	10	10	10	10	10	10								
12	Load	41700	41700	36800	27900		19000	9080											
	Oil	30	30	20	10	10	10	10											

Shaft Size	Item	Radial Load Rating at Various Revolutions per Minute ★																	
		1500	1600	1800	2000	2200	2400	2600	2800	3000	3200	3400	3600	4000	4500	5000	5500	6000	7000
1-7/16	Load	215	215	220	220	225	230	230	235	240	240	240	245	205	180	160	165	120	47
1-1/2	Oil	30	30	30	30	30	30	20	30	30	10	30	30	20	10	10	10	10	10
1-11/16	Load	345	345	350	355	355	360	360	365	365	370	325	325	250	255	195	125	47	
1-3/4	Oil	30	30	30	30	30	30	20	30	30	30	20	20	10	10	10	10	10	
1-15/16	Load	475	480	490	490	495	505	425	410	325	335	335	320	210	93				
2	Oil	30	30	30	30	30	30	20	20	10	10	10	10	10	10				
2-3/16	Load	640	640	650	650	660	580	590	470	440	450	435	365	215	59				
2-1/4	Oil	30	30	30	30	30	20	20	20	10	10	10	10	10	10				
2-7/16	Load	900	900	915	925	805	770	610	610	635	525	400	305	110					
2-1/2	Oil	30	30	30	30	20	20	10	10	10	10	10	10	10					
2-11/16	Load	1210	1210	1230	1050	960	815	815	755	575	415	270	150						
2-3/4	Oil	30	30	30	20	20	10	10	10	10	10	10	10						
2-15/16	Load	1390	1310	1220	955	970	810	600	390	195									
3	Oil	30	30	20	10	10	10	10	10	10									
3-7/16	Load	1710	1560	1350	1420	940	600	315											
3-1/2	Oil	20	20	10	10	10	10	10											
3-15/16	Load	2010	2010	1670	1010	505													
4	Oil	10	10	10	10	10													
4-7/16	Load	2600	2160	1240	480														
4-1/2	Oil	20	10	10	10														
4-15/16	Load	2420	1780	640															
5	Oil	10	10	10															
5-7/16	Load	1730	960																
5-1/2	Oil	10	10																

★ IMPORTANT- follow instructions on page B14-11.

FEATURES/BENEFITS PAGE B14-3	SPECIFICATION/HTO PAGE B14-6	NOMENCLATURE PAGE B14-7	SELECTION/DIMENSIONS PAGE B14-16
---------------------------------	---------------------------------	----------------------------	-------------------------------------

# SELECTION



## SLEEVOIL

**Table 3: Radial Load Ratings**

Standard and Short Series SLEEVOIL Externally Cooled Pillow Blocks  
(See instructions on page B14-11 or fill out data sheet on page B14-9)  
Not to be used for SLEEVOIL RTL Pillow Blocks

### Radial Load Ratings in Pounds

Shaft Size	Water Flow Rate ▲	Item	Radial Load Ratings at Various Revolutions per Minute*																		
			300	350	400	450	500	550	600	650	700	750	800	850	900	1000	1100	1200	1300	1400	
1-11/16	0.5	Load	180	195	250	285	305	340	380	425	450	485	505	530	550	585	615	635	665	690	
		Oil	30	30	30	30	30	30	30	30	30	30	30	30	30	30	30	30	30	30	30
1-15/16	0.55	Load	325	365	410	480	510	560	620	680	730	760	790	830	855	890	930	960	985	1000	
		Oil	30	30	30	30	30	30	30	30	30	30	30	30	30	30	30	30	30	30	30
2-3/16	0.6	Load	785	845	940	1000	1050	1080	1120	1150	1170	1190	1210	1220	1240	1260	1270	1280	1290	1300	
		Oil	30	30	30	30	30	30	30	30	30	30	30	30	30	30	30	30	30	30	30
2-7/16	0.75	Load	910	985	1030	1100	1150	1200	1250	1290	1330	1370	1400	1440	1480	1530	1560	1630	1680	1710	
		Oil	30	30	30	30	30	30	30	30	30	30	30	30	30	30	30	30	30	30	30
2-11/16	1	Load	1020	1180	1360	1480	1500	1690	1780	1850	1920	1980	2040	2080	2140	2220	2280	2320	2330	2380	
		Oil	30	30	30	30	30	30	30	30	30	30	30	30	30	30	30	30	30	30	30
2-15/16	1.25	Load	1460	1720	1930	2130	2310	2410	2500	2600	2680	2730	2780	2830	2880	2960	3050	3090	3110	3120	
		Oil	30	30	30	30	30	30	30	30	30	30	30	30	30	30	30	30	30	30	30
3-7/16	1.5	Load	2300	2640	2980	3190	3360	3500	3620	3720	3790	3860	3930	3980	4030	4080	4080	4180	4180	4206	
		Oil	30	30	30	30	30	30	30	30	30	30	30	30	30	30	30	30	30	30	30
3-15/16	1.75	Load	3940	4350	4660	4910	5160	5320	5490	5580	5610	5610	5610	5610	5610	5610	5610	5610	5610	5610	5610
		Oil	30	30	30	30	30	30	30	30	30	30	30	30	30	30	30	30	30	30	30
4-7/16	2.25	Load	5280	5840	6240	6560	6800	7000	7120	7240	7320	7350	7350	7350	7350	7350	7350	7350	7350	7350	7350
		Oil	30	30	30	30	30	30	30	30	30	30	30	30	30	30	30	30	30	30	30
4-15/16	2.5	Load	7350	8000	8470	8660	8960	9100	9250	9350	9350	9350	9350	9350	9350	9350	9350	9350	9350	9350	9350
		Oil	30	30	30	30	30	30	30	30	30	30	30	30	30	30	30	30	30	30	30
5-7/16	3	Load	9600	10300	10800	11200	11500	11700	11800	11900	12000	12000	12000	12000	12000	12000	12000	12000	12000	12000	12000
		Oil	30	30	30	30	30	30	30	30	30	30	30	30	30	30	30	30	30	30	30
6	4	Load	17000	17400	17600	17700	17700	17700	17700	17700	17700	17700	17700	17700	17700	17700	17700	17700	17700	15100	15100
		Oil	30	30	30	30	30	30	30	30	30	30	30	30	30	30	30	30	30	30	30
7	5	Load	24000	24300	24500	24500	24500	24500	24500	24500	24500	24500	24500	24500	24500	24500	24500	22100	19600	16600	16600
		Oil	30	30	30	30	30	30	30	30	30	30	30	30	30	30	30	20	20	20	20
8	6.5	Load	38400	38800	38800	38800	38800	38800	38800	38800	38800	38800	38800	38800	38800	38800	36000	29500	26500	26500	26500
		Oil	30	30	30	30	30	30	30	30	30	30	30	30	30	30	20	20	10	10	10
9	8	Load	44600	45100	45300	45300	45300	45300	45300	45300	45300	45300	45300	45300	45300	40000	36100	31500	31200	25700	18800
		Oil	30	30	30	30	30	30	30	30	30	30	30	30	30	20	20	10	10	10	10
10	9	Load	59200	59200	59200	59200	59200	59200	59200	59200	51900	51900	43400	38400	38400	36800	24900	14100	1920		
		Oil	30	30	30	30	30	30	30	30	20	20	20	10	10	10	10	10	10		
12	10	Load	72000	72000	72000	72000	72000	72000	69200	69200	58000	52000	52000	52000	33200	18800	2600				
		Oil	30	30	30	30	30	30	20	20	20	10	10	10	10	10	10				

Shaft Size	Water Flow Rate ▲	Item	Radial Load Ratings at Various Revolutions per Minute*																	
			1500	1600	1800	2000	2200	2400	2600	3000	3500	4000	4500	5000	6000	7000	8000	9000	10000	11000
1-11/16	0.5	Load	710	720	750	770	780	785	795	795	795	800	800	800	805	735	625	605	615	355
		Oil	30	30	30	30	30	30	30	30	30	30	30	30	30	30	20	10	10	10
1-15/16	0.55	Load	1010	1020	1050	1070	1070	1070	1070	1070	1070	1070	1070	1070	945	760	745	465	240	39
		Oil	30	30	30	30	30	30	30	30	30	30	30	30	20	10	10	10	10	10
2-3/16	0.6	Load	1320	1330	1340	1360	1360	1360	1360	1360	1360	1350	1350	1350	925	905	550	215		
		Oil	30	30	30	30	30	30	30	30	30	30	30	30	10	10	10	10		
2-7/16	0.75	Load	1740	1770	1800	1840	1870	1880	1880	1880	1880	1880	1880	1630	1390	1280	550			
		Oil	30	30	30	30	30	30	30	30	30	30	30	20	20	10	10			
2-11/16	1	Load	2390	2390	2410	2420	2420	2440	2450	2470	2510	2070	1800	1630	1180	475				
		Oil	30	30	30	30	30	30	30	30	20	20	20	10	10	10				
2-15/16	1.25	Load	3140	3160	3160	3180	3180	3190	3190	3210	2650	2310	2380	1700						
		Oil	30	30	30	30	30	30	30	30	20	10	10	10						
3-7/16	1.5	Load	4200	4230	4230	4250	4280	4300	4330	3600	2920	2880	1970	865						
		Oil	30	30	30	30	30	30	30	20	10	10	10	10						
3-15/16	1.75	Load	5610	5610	5610	5610	5050	4790	3880	3150										
		Oil	30	30	30	30	20	20	10	10										
4-7/16	2.25	Load	7350	7350	7350	6440	5440	4960	4320	1600										
		Oil	30	30	30	20	10	10	10	10										
4-15/16	2.5	Load	9350	9350	9060	8320	6600	6600	6300	2950										
		Oil	30	30	30	30	10	10	10	10										
5-7/16	3	Load	12000	11700	10500	8310	8370	7410	5380	1850										
		Oil	30	30	30	20	10	10	10	10										
6	4	Load	12600	12200	12200	5400														
		Oil	20	10	10	10														
7	5	Load	16600	11100	490															
		Oil	10	10	10															
8	6.5	Load	15900	8700																
		Oil	10	10																
9	8	Load	12700	7650																
		Oil	10	10																

Note - Ratings to the right of the zigzag rule are for use only when "Equivalent RPM" is used: the use of actual RPM would result in exceeding the oil ring speed limit.  
 \* IMPORTANT - follow instructions on B14-11.  
 ▲ Gallons per minute Maximum water inlet temperature 90°F

FEATURES/BENEFITS PAGE B14-3	SPECIFICATION/HTO PAGE B14-6	NOMENCLATURE PAGE B14-7	SELECTION/DIMENSIONS PAGE B14-16
---------------------------------	---------------------------------	----------------------------	-------------------------------------

# SELECTION



## SLEEVOIL

**Table 4: Radial Load Ratings**

Standard and Short Series SLEEVOIL Externally Cooled Pillow Blocks  
(See instructions on page or fill out data sheet on page)  
Not to be used for SLEEVOIL RTL Pillow Blocks

**Radial Load Ratings in Pounds**

Shaft Size	Oil Flow Rate ▲	Item	Radial Load Ratings at Various Revolutions per Minute*										
			200	400	600	800	1000	1200	1400	1600	1800	2000	2500
1-11/16	1.2	Load	120	170	220	260	305	385	415	450	495	565	655
		Oil	30	30	30	30	30	30	30	30	30	30	30
1-15/16	1.2	Load	225	355	435	495	560	635	680	745	805	870	970
		Oil	30	30	30	30	30	30	30	30	30	30	30
2-3/16	1.3	Load	205	385	470	590	760	840	865	995	1090	1180	1330
		Oil	30	30	30	30	30	30	30	30	30	30	30
2-7/16	1.3	Load	290	510	840	1020	1170	1300	1420	1550	1670	1780	1990
		Oil	30	30	30	30	30	30	30	30	30	30	30
2-11/16	1.5	Load	445	845	1150	1420	1600	1770	1950	2130	2310	2470	2760
		Oil	30	30	30	30	30	30	30	30	30	30	30
2-3/4	1.5	Load	915	1300	1620	1880	1940	2360	2560	2750	2920	3100	3520
		Oil	30	30	30	30	30	30	30	30	30	30	30
3-7/16	1.75	Load	1580	2450	3020	3600	3850	4140	4500	4810	5100	5400	5870
		Oil	30	30	30	30	30	30	30	30	30	30	30
3-15/16	2	Load	2080	2610	3680	4350	4900	5470	5890	6300	6800	7180	8040
		Oil	30	30	30	30	30	30	30	30	30	30	30
4-7/16	2.25	Load	2700	4100	5200	5990	6700	7420	7990	8160	9190	9700	10900
		Oil	30	30	30	30	30	30	30	30	30	30	30
4-1/2	2.5	Load	4600	6000	7190	8270	9450	10400	11100	11800	12700	13300	14800
		Oil	30	30	30	30	30	30	30	30	30	30	30
5-7/16	3.25	Load	5800	7800	9700	11100	12600	13600	14700	15800	16800	17600	19500
		Oil	30	30	30	30	30	30	30	30	30	30	30
6	4	Load	6000	10500	20200	20200	20200	20200	19100	17100	17100	17100	13800
		Oil	30	30	30	30	30	30	20	10	10	10	10
7	5	Load	10000	26900	26900	26900	26900	25100	24500	22600	22600	22600	16500
		Oil	30	30	30	30	30	30	20	10	10	10	10
8	6.5	Load	14000	37900	37900	37900	37900	35100	35100	32200	32200	32200	19200
		Oil	30	30	30	30	30	20	20	10	10	10	10
9	7	Load	25300	37600	46600	53000	53000	53000	53000	46000	46000	46000	
		Oil	30	30	30	30	30	30	20	10	10		
10	7.5	Load	25000	59200	59200	59200	59200	56800	56800	53900	53900		
		Oil	30	30	30	30	30	20	20	10	10		
12	9.5	Load	95000	95000	95000	90000	85100	85100	85100	69100			
		Oil	30	30	30	20	10	10	10	10			

Shaft Size	Oil Flow Rate ▲	Item	Radial Load Ratings at Various Revolutions per Minute*										
			3000	3500	4000	4500	5000	5500	6000	7000	8000	9000	10000
1-11/16	1.5	Load	745	820	900	970	1040	1100	1160	1250	1350	1440	1510
		Oil	30	30	30	30	30	30	30	30	30	30	30
1-15/16	1.75	Load	1070	1170	1270	1360	1460	1550	1640	1780	1920	2030	
		Oil	30	30	30	30	30	30	30	30	30	30	
2-3/16	1.75	Load	1480	1620	1770	1890	201	2120	2230	2450	2660		
		Oil	30	30	30	30	30	30	30	30	30		
2-7/16	1.75	Load	2200	2410	2610	2760	2920	3080	3240	3510			
		Oil	30	30	30	30	30	30	30	30			
2-11/16	2	Load	3040	3280	3500	3680	3840	3990	4140	4340			
		Oil	30	30	30	30	30	30	30	30			
2-3/4	2	Load	3950	4260	4590	4940	5290	5490	5680				
		Oil	30	30	30	30	30	30	30				
3-7/16	2.25	Load	6350	6700	7020	7250	7460						
		Oil	30	30	30	30	30						
3-15/16	2.5	Load	8870	9560	10300	9120							
		Oil	30	30	30	20							
4-7/16	2.75	Load	12000	12800	11800								
		Oil	30	30	20								
4-15/16	3	Load	16300	15300									
		Oil	30	20									
5-7/16	3.25	Load	18600										
		Oil	20										
6	4.5	Load	5460										
		Oil	10										
7	5	Load											
		Oil											
8	6.5	Load											
		Oil											
9	7	Load											
		Oil											
10	7.5	Load											
		Oil											
12	9.5	Load											
		Oil											

**Note -** Ratings apply to standard and short series pillow blocks, modified to permit the use of circulating oil - consult DODGE for prices and details. Externally cooled pillow blocks can also be modified for circulating oil usage - consult DODGE

\* IMPORTANT - follow instructions on page B14-11

▲ Gallons per minute Maximum oil in let temperature 120°F. For speeds and loads greater than those shown, consult DODGE

FEATURES/BENEFITS PAGE B14-3	SPECIFICATION/HOT PAGE B14-6	NOMENCLATURE PAGE B14-7	SELECTION/DIMENSIONS PAGE B14-16
---------------------------------	---------------------------------	----------------------------	-------------------------------------



# SELECTION/DIMENSIONS



## SLEEVOIL - R Series

### 1-7/16" THRU 3-7/16" PLAIN-WATER COOLED STANDARD AND SHORT SERIES SLEEVOIL PILLOW BLOCKS

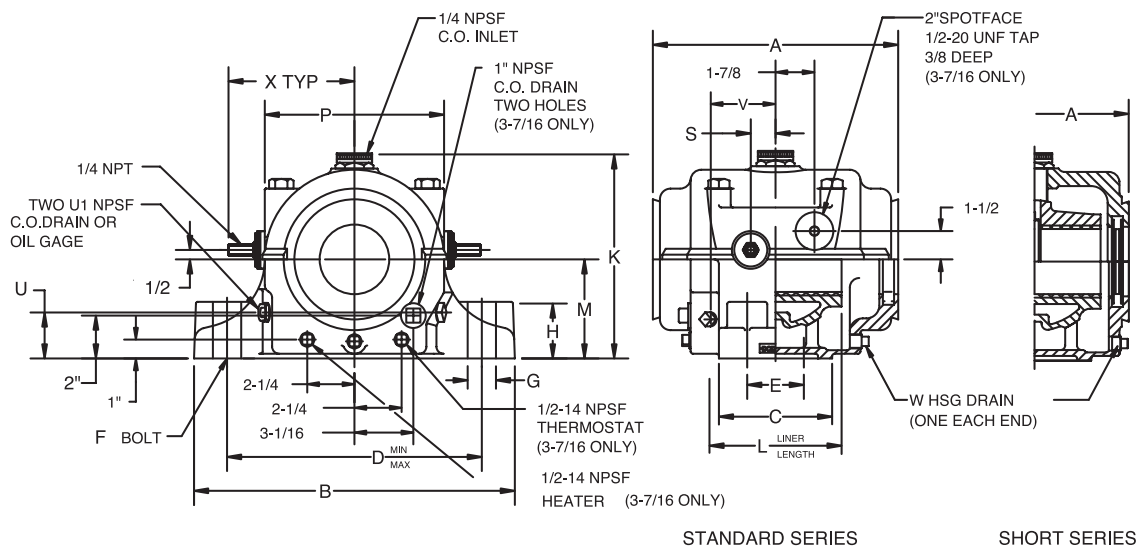
IMPERIAL - ISAF

UNIFIED SAF

International Bearings

Sleeve Bearing

SLEEVOIL



FEATURES/BENEFITS PAGE B14-3	SPECIFICATION/HTO PAGE B14-6	NOMENCLATURE PAGE B14-7	SELECTION/DIMENSIONS PAGE B14-16
---------------------------------	---------------------------------	----------------------------	-------------------------------------

# SELECTION/DIMENSIONS



## SLEEVOIL - R Series

### 1-7/16" THRU 3-7/16" PLAIN-WATER COOLED STANDARD AND SHORT SERIES SLEEVOIL PILLOW BLOCKS

Shaft Size	Non-Expansion Pillow Blocks		Expansion Pillow Blocks		Expansion Pillow Blocks #		Optional Accessories >>*						Replacement PL-WC Liner Assemblies	
	++						Req'd to Make-Up Non-Ext Blks. ● Split Thrust Collar		No Additional Machining Required For					
	STD		STD		SSH		Part No.	Wt.	Part No.	Wt.	Hose Kits		Part No.	Wt.
1-7/16	134214 >	21.9	132983 >	20.5	....	....	133245	0.7	133980	.12			133203	3.6
1-11/16	134215	33.1	132984	30.7	....	....	133250	1.2	133981	.12	133344	0.5	133583	6.3
1-15/16	134216	33.6	132985	31.6	....	....	133255	1.0	133982	.12			133584	7.0
2-3/16	134217	51.4	132986	47.8	....	....	133260	1.8	133983	.12			133585	12.0
2-7/16	134218	70.9	132987	65.5	....	....	133265	2.7	133984	.12			133586	11.6
2-11/16	134219 ⊗	98.9	132988 ⊗	97.0	....	....	133270	4.1	133985	.12			132959 ⊗	27.0
2-15/16	134220 ⊗	100.0	132989 ⊗	92.4	132991 ⊗	90.0	133275	3.8	133986	.18			132950 ⊗	22.0
3-7/16	STL		STL		SSL		133280	6.2	133987	0.31			132951 ⊗	50
	134221 ⊗	156.4	132990 ⊗	144.0	132992 ⊗	138.0								

Shaft Size	A		B		C		D (Min.-Max.)				E		F Bolt Dia.		G	
	STD	SSH	STD	SSH	STD	SSH	STD	SSH	STD	SSH	STD	SSH	STD	SSH	STD	SSH
1-7/16	6-1/2	....	9-1/2	....	2-3/4	....	7	....	7-1/2	....	....	....	5/8	....	1	....
1-11/16	7-3/4	....	10-1/2	....	3	....	7-3/4	....	8-1/4	....	....	....	5/8	....	1	....
1-15/16	7-3/4	....	10-1/2	....	3	....	7-3/4	....	8-1/4	....	....	....	5/8	....	1	....
2-3/16	9-1/4	....	12-1/2	....	3-1/2	....	9-1/8	....	9-7/8	....	....	....	3/4	....	1-1/4	....
2-7/16	10-1/2	....	13-1/2	....	4	....	10-1/8	....	10-7/8	....	....	....	3/4	....	1-1/4	....
2-11/16	11-1/2	....	15	....	4-1/2	....	11	....	12	....	....	....	7/8	....	1-1/2	....
2-15/16	11-1/2	8-3/4	15	15	4-1/2	5-3/4	11	11	12	10-7/8	12-1/8	12-1/8	7/8	3/4	1-1/2	1-1/2
3-7/16	STL	SSL	STL	SSL	STL	SSL	STL		SSL		STL	SSL	STL	SSL	STL	SSL
	13	10	17	17	6	6	12-15/16-14-1/16		12-15/16-14-1/16		3	3	3/4	3/4	1-1/2	1-1/2

Shaft Size	H		K		L		M		P		S		U	
	STD	SSH	STD	SSH	STD	SSH	STD	SSH	STD	SSH	STD	SSH	STD	SSH
1-7/16	1-1/2	....	6	....	3	....	2-3/4	....	4-5/8	....	....	....	1-1/8	....
1-11/16	1-3/4	....	6-3/4	....	3-1/2	....	3-1/8	....	5-3/8	....	7/8	....	1-3/8	....
1-15/16	1-3/4	....	6-3/4	....	4	....	3-1/8	....	5-3/8	....	7/8	....	1-3/8	....
2-3/16	2	....	8	....	4-1/2	....	3-3/4	....	6-3/8	....	7/8	....	1-1/2	....
2-7/16	2-3/8	....	8-3/4	....	5	....	4-1/8	....	7-1/8	....	1-1/16	....	1-5/8	....
2-11/16	2-15/32	....	9-5/8	....	5-1/2	....	4-9/16	....	7-7/8	....	1-1/8	....	1-7/8	....
2-15/16	2-15/32	1-1/2	9-5/8	9-5/8	6	6	4-9/16	4-9/16	7-7/8	7-7/8	1-1/8	1-1/8	1-7/8	1-3/4
3-7/16	STL	SSL	STL	SSL	STL	SSL	STL	SSL	STL	SSL	STL	SSL	STL	SSL
	3	3	11	11	7	7	5-1/4	5-1/4	9-3/8	9-3/8	1-5/16	1-5/16	2	2

Shaft Size	U1		V		W		X	Thrust Collar Dia. x Width ●	Oil (fl. oz.)
	STD	SSH	STD	SSH	STD	SSH			
1-7/16	1/2	....	2-1/16	....	1/4	....	....	2-1/2 x 7/8	6
1-11/16	1/2	....	2-1/4	....	1/4	....	3-3/4	3 x 11/16	8
1-15/16	1/2	....	2-1/4	....	1/4	....	3-3/4	3 x 11/16	8
2-3/16	1/2	....	2-1/2	....	1/4	....	4-3/4	3-5/8 x 1-1/8	10
2-7/16	1/2	....	2-15/16	....	1/4	....	4-3/4	4 x 1-1/8	15
2-11/16	1/2	....	3-1/8	....	1/4	....	5-1/8	4-5/8 x 1-1/2	18
2-15/16	1/2	1/2	3-1/8	3-9/16	1/4	1/4	5-1/8	4-5/8 x 1-1/4	18
3-7/16	STL	SSL	STL	SSL	STL	SSL	5-1/2	5-1/2 x 1-1/2	33
	3/4	1/2	3-7/8	3-7/8	1/2	1/2			

- # Not adaptable to non-expansion conversion
- ## 2-bolt base
- >> Not Furnished unless specifically ordered
- > Available in STD (plain) style only
- \* A 3-7/16 Auxiliary Seal Kit @ 4.9 lbs. (part no. 132811)
- A 3-7/16, Hsg. End Cap Kit @ 5.31 lbs. (part no. 132542)
- A 3-7/16 Heater @ 50 lbs. (part no. 132835) to be used with
- A 3-7/16, thermostat @ 2.0 lbs. (part no. 133116), and
- A 3-7/16, Vibration detector kit @ 5 lbs. (part no. 430153)
- \*\* Used to close one end of pillow block. One required for 1-7/16 thru 2-15/16' sizes two required for 3-7/16, size
- Two required for each expansion block when a non-expansion block is required. Not adaptable to Short Series (SSH or SSL)
- ⊗ Pillow block and liner are pre-drilled for thermocouple (2 places)
- STL & SSL are pre-drilled for accessories: thermocouple, circulating oil, vibration detector, heater and thermostat
- ++ Non-Expansion Pillow Blocks include housing, liner and two split thrust collars

FEATURES/BENEFITS PAGE B14-3	SPECIFICATION/HTO PAGE B14-6	NOMENCLATURE PAGE B14-7	SELECTION/DIMENSIONS PAGE B14-16
---------------------------------	---------------------------------	----------------------------	-------------------------------------

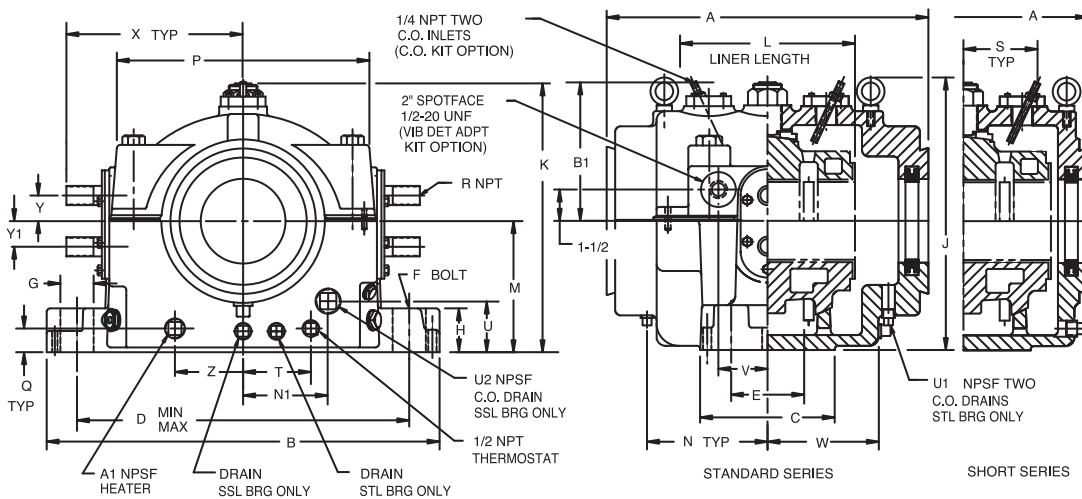


# SELECTION/DIMENSIONS



## SLEEVOIL - R Series

### 3-15/16" THRU 8" PLAIN / EXTERNALLY COOLED STANDARD AND SHORT SERIES SLEEVOIL PILLOW BLOCKS



IMPERIAL - ISAF

UNIFIED SAF

International Bearings

Sleeve Bearing

SLEEVOIL

FEATURES/BENEFITS  
PAGE B14-3

SPECIFICATION/HTO  
PAGE B14-6

NOMENCLATURE  
PAGE B14-7

SELECTION/DIMENSIONS  
PAGE B14-16

# SELECTION/DIMENSIONS



## SLEEVOIL - R Series

### 3-15/16" THRU 8" PLAIN / EXTERNALLY COOLED STANDARD AND SHORT SERIES SLEEVOIL PILLOW BLOCKS

Shaft Size	Pillow Block Assemblies						Req'd To Make Up Non-Expansion Blocks >> ● Split Thrust Collars		Replacement Liner Assemblies ⊗			
	Non-Expansion Pillow Blocks ++		Expansion Pillow Blocks		Expansion Pillow Blocks #				PL-XC Externally Cooled		WC (Prior to 1973 hsg) Replacement	
	Part No.	Wt.	Part No.	Wt.	Part No.	Wt.	Part No.	Wt.	Part No.	Wt.	Part No.	Wt.
3-15/16	134222	215	134200	201	134207	193	133285	7.2	132952	51	133590	54
4-7/16	134223	287	134201	271	134208	255	133292	7.9	132953	71	133591	65
4-15/16	134224	385	134202	362	134209	324	133293	11.3	132954	92	133592	91
5-7/16	134225	495	134203	470	134210	462	133294	12.3	132955	130	133593	114
6	134226	629	134204	598	134211	570	133295	15.3	132956	158	133594	158
7	134227	944	134205	882	134212	845	133296	31.3	132957	230	133595	216
8	134228	1395	134206	1298	134213	1256	133297	48.7	132958	372	133596	375

Shaft Size	Optional Accessories >> *										Pipe Grommet Kits >	
	Auxiliary Seal Kits ##		Housing End Cap Kits		Heater		Circulating Oil Inlet Kits >		Neoprene End Closures ⊗ ⊗			
	Part No.	Wt.	Part No.	Wt.	Part No.	Wt.	Part No.	Wt.	Part No.	Wt.	Part No.	Wt.
3-15/16	432181	6.4	432190	6.1	132836	1.0	432153	2	133988	.3	132192	1.6
4-7/16	432184	7.0	432193	6.8	132836	1.0	430198	2	133989	.4	132192	1.6
4-15/16	432187	7.5	432196	7.3	132836	1.0	430198	2	133990	.5	132193	2.4
5-7/16	133932	12.4	132546	11.6	132837	2.0	430155	2	133991	.6	132193	2.4
6	133933	14.8	132547	10.6	132838	2.5	430155	2	133992	.8	132198	3.6
7	133937	19.0	132548	13.5	132838	2.5	430155	2	133993	1.2	132198	3.6
8	133938	24.9	132549	15.5	132839	3.0	430155	2	133994	1.3	132198	3.6

Shaft Size	A		B	C	D (Min.-Max.)		E	F Dia. Bolt	G	H		J	
	STL	SSL			STL	SSL				STL	SSL	STL	SSL
3-15/16	15	11	19	7	14-1/4 - 15-3/4	3-1/2	7/8	1-3/4	3	2	12-1/16	12-5/8	
4-7/16	16-1/2	12-1/2	20-1/2	7-1/2	15-1/4 - 16-3/4	4	1	2	3-1/2	3-1/2	14-5/8	14-5/8	
4-15/16	18-1/4	13-3/4	22-1/2	8-1/2	16-5/8 - 18-7/8	4-1/2	1	**	3-1/8	2-1/2	15-7/8	15-7/8	
5-7/16	19-3/4	15-1/4	24-1/2	9-1/2	18-1/4 - 20-1/4	5	1-1/8	2-1/4	3-3/4	2-3/4	17-1/8	17-1/8	
6	21-1/4	16-1/4	26	10-1/2	19-5/8 - 21-7/8	5-1/2	1-1/4	2-1/2	4	3	17-5/8	18-1/2	
7	24-1/2	18-3/4	29-3/4	12-1/2	22-5/8 - 25-3/8	6-1/2	1-1/2	3	5-1/8	3-1/2	19-7/16	21	
8	27-3/4	21	34	14-1/2	25-5/8 - 28-7/8	7-1/2	1-3/4	3-1/2	5-7/8	4	21-5/16	23-1/2	

Shaft Size	K	L	M	N		P	Q	R Pipe		T		U1	U2
				STL	SSL			PLXC	WC Rep't	STL	SSL		
3-15/16	11-15/16	8	5-3/4	5-15/16	2-5/8	10-1/8	1-1/4	1	1/2	2-1/8	2-1/8	3/4	3/4
4-7/16	13-7/8	9	6-1/4	6-3/8	3-3/8	11-1/2	1-3/8	1	1/2	3	2	3/4	1
4-15/16	15-1/16	10	7	7-1/16	3-3/4	12-1/2	1-5/16	1-1/4	1/2	2-7/8	2	1	1-1/4
5-7/16	15-15/16	11	7-1/2	7-5/8	4-3/8	13-3/4	1-9/16	1-1/4	1/2	3-3/8	2-1/2	3	1
6	18	12	8-1/4	8-1/4	4-1/2	14-3/4	1-3/4	1-1/4	3/4	3-7/8	2-3/4	3-1/8	1-1/4
7	20-1/4	14	9-1/2	9-9/16	5	17	2	1-1/4	3/4	5	3	1-1/4	1-1/4
8	22-1/2	16	10-3/4	11	5-3/4	19	2	1-1/4	3/4	5-1/4	4	1-1/4	1-1/4

Shaft Size	V	W	X	Y		Y1		Z	A1	B1	Thrust Collars Dia. x Width ●	Oil (Fl. oz.)
				PLXC	WC Rep't	PLXC	WC Rep't					
3-15/16	3	5	8-9/16	1-1/4	1	1-1/4	1	2-1/8	3/4	7-1/16	6 x 1-13/16	50
4-7/16	3-1/2	5-5/8	9-3/16	1-1/4	1	1-1/4	1	3	3/4	7-5/8	6-1/2 x 1-13/16	64
4-15/16	3-1/2	6-1/8	10	1-1/2	1	1-3/4	1	2-7/8	3/4	8	7-1/4 x 2-1/16	90
5-7/16	3-1/2	6-3/4	10-3/8	1-1/2	1	1-3/4	1	3-3/8	3/4	8-3/4	7-3/4 x 2-1/16	100
6	4	7-1/4	11-3/16	1-3/4	1-1/4	2	1-1/4	3-7/8	1	9-7/8	8-1/2 x 2-3/16	132
7	4-1/2	8-3/8	12-15/16	1-3/4	1-1/4	2	1-1/4	5	1	10-7/8	10 x 2-11/16	240
8	5	9-5/8	14-13/16	1-3/4	1-1/4	2	1-1/4	5-1/4	1-1/4	12	11-1/2 x 3-3/16	320

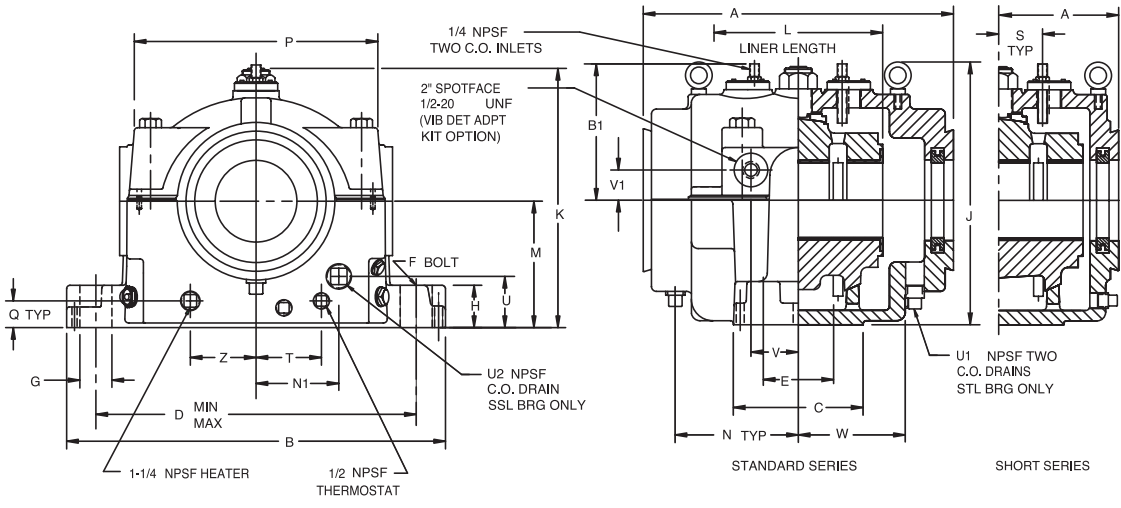
- # Not adaptable to non-expansion conversion
  - ## One required per pillow block end
  - > One required per pillow block
  - >> Not furnished unless specifically ordered
  - \* Vibration detector adaptor kit @ 5.0 lbs (part no. 430153), thermostat @ 2.0 lbs (part no. 133116) to be used with heater
  - \*\* 2-1/4" on STL; 2" on SSL
  - ++ Non-Expansion Pillow Blocks include housing, liner and two split thrust collars
  - Two required for each expansion block when a non-expansion block is required. Not adaptable to Short Series (SSL)
  - ⊗ To differentiate between XC and water cooled replacement liners see "R" dimensions pipe size
  - ⊗ ⊗ Two required per 3-15/16 thru 4-15/16 sizes; three for 5-7/16 and larger
- All sizes are pre-machined for accessories: thermocouples, circulating oil, vibration detector, heater and thermostat

FEATURES/BENEFITS PAGE B14-3	SPECIFICATION/HTO PAGE B14-6	NOMENCLATURE PAGE B14-7	SELECTION/DIMENSIONS PAGE B14-16
---------------------------------	---------------------------------	----------------------------	-------------------------------------

# SELECTION/DIMENSIONS



## SLEEVOIL - R Series 9", 10", 12" & 14" PLAIN SLEEVOIL PILLOW BLOCKS



FEATURES/BENEFITS PAGE B14-3	SPECIFICATION/HTO PAGE B14-6	NOMENCLATURE PAGE B14-7	SELECTION/DIMENSIONS PAGE B14-16
---------------------------------	---------------------------------	----------------------------	-------------------------------------



# SELECTION/DIMENSIONS



## SLEEVOIL - R Series 9", 10", 12" & 14" PLAIN SLEEVOIL PILLOW BLOCKS

Shaft Size	Plain Non-Expansion Pillow Blocks + +		Plain Expansion Pillow Blocks				Required to Make Up Non-Expansion Blocks	
	STL		STL		SSL		● >> Split Thrust Collars	
	Part No.	Wt.	Part No.	Wt.	Part No.	Wt.	Part No.	Wt.
9	134229	1339	132766	1235	132924	1168	133959	54
10	134230	1344	132767	1240	132925	1105	133960	52
12	134231	2136	132768	2000	132926	1785	133961	68
14	134232	3550	431399	3400	430561	3000	431389	75

Shaft Size	Optional Accessories >> *										Replacement Plain Liner Assemblies	
	Auxiliary Seal Kits ##		Housing End Cap Kits		Heater		Circulating Oil Inlet Kits >		Neoprene End Closure##		Part No.	Wt.
	Part No.	Wt.	Part No.	Wt.	Part No.	Wt.	Part No.	Wt.	Part No.	Wt.	Part No.	Wt.
9	132814	23.1	132564	15.9	132839	3.0	430155	2.0	133996	1.5	133550	327
10	132816	24.2	132565	16.4	132839	3.0	430155	2.0	133995	1.6	133669	450
12	132819	40.0	132566	25.0	132840	4.0	430155	2.0	133997	1.9	133392	650
14	132822	36.0	132567	25.0	132840	4.0	430155	2.0	....	....	430831	1200

Shaft Size	A		B		C		D (Min.-Max.)		E		F-Boit		G		H		J	
	STL	SSL	STL & SSL	STL & SSL	STL & SSL	STL & SSL	STL & SSL	STL & SSL	STL & SSL	STL & SSL	STL & SSL	STL	SSL	STL	SSL	STL	SSL	
9	27-3/4	21	34	14-1/2	25-5/8 - 28-7/8	7-1/2	1-3/4	3-1/2	5-7/8	4	22-3/8	23-1/2						
10	27-3/4	21	34	14-1/2	25-5/8 - 28-7/8	7-1/2	1-3/4	3-1/2	5-7/8	4	22-3/8	23-1/2						
12	30	23-1/4	40	17	31-1/4 - 34-3/4	9	2	4	6-3/4	6-3/4	29-5/16	29-5/16						
14	34	26-1/4	46-1/8	18	36-1/2 - 40-1/2	10	2	4	7	...	35-1/8	35-1/8						

Shaft Size	K		L		M		N		N1		P		S		T		U		U1		U2		V		Wt. (lbs.)	
	STL & SSL	STL & SSL	STL & SSL	STL	SSL	STL & SSL	STL & SSL	STL	SSL	STL	SSL	SSL	STL	SSL	SSL	STL	SSL	STL	SSL	STL & SSL	STL	SSL	STL	SSL	STL	SSL
9	22-1/2	16	10-3/4	11	5-1/2	19	3	5-1/4	4	3-3/8	1-1/4	1-1/4	5	1235	1168											
10	22-1/2	16	10-3/4	11	5-1/2	19	3	5-1/4	4	3-7/8	1-1/4	1-1/4	5	1240	1105											
12	28-1/4	18	13-1/2	12-3/8	7-3/4	23-3/4	3-1/2	7	7	5-3/16	1-1/2	1-1/2	7	2000	1785											
14	32-5/8	20	16	....	....	28-3/4	....	....	....	....	....	....	....	....	....											

Shaft Size	V1		W		Z		B1		Thrust Collar (Dia. x Width)		Oil (fl. oz.)
	STL	SSL	STL & SSL	STL & SSL	STL	SSL	STL	SSL	Plain		
9	1-1/2	1-1/2	9-5/8	5-1/4	12	12-1/2x3 - 3/16	320				
10	1-1/2	1-1/2	9-5/8	5-1/4	12	12-1/2x3 - 1/4	320				
12	2	2	11	7	14-1/2.	15-1/2x3 - 3/8	640				
14	....	....	12-1/16	....	....	18-3/4x3 - 3/8	704				

- # Not adaptable to non-expansion
- ## One required per pillow block end
- > One required per pillow block
- >> Not furnished unless specifically ordered
- \* Vibration detector adaptor kit @ 5.0 lbs. (part no. 430153) thermostat @ 2.0 lbs (part no. 133116) to be used with heater
- Two required for each expansion block when a non-expansion block is required
- Not adaptable to short Series (SSL)
- + + Non-Expansion Pillow Blocks include housing, liner and two split thrust collars

All housings are pre-machined for accessories; thermocouples, circulating oil vibration detector, heater and thermostat

FEATURES/BENEFITS PAGE B14-3	SPECIFICATION/HTO PAGE B14-6	NOMENCLATURE PAGE B14-7	SELECTION/DIMENSIONS PAGE B14-16
---------------------------------	---------------------------------	----------------------------	-------------------------------------



# SELECTION/DIMENSIONS



## SLEEVOIL - R Series 9", 10", 12" XC SLEEVOIL PILLOW BLOCKS

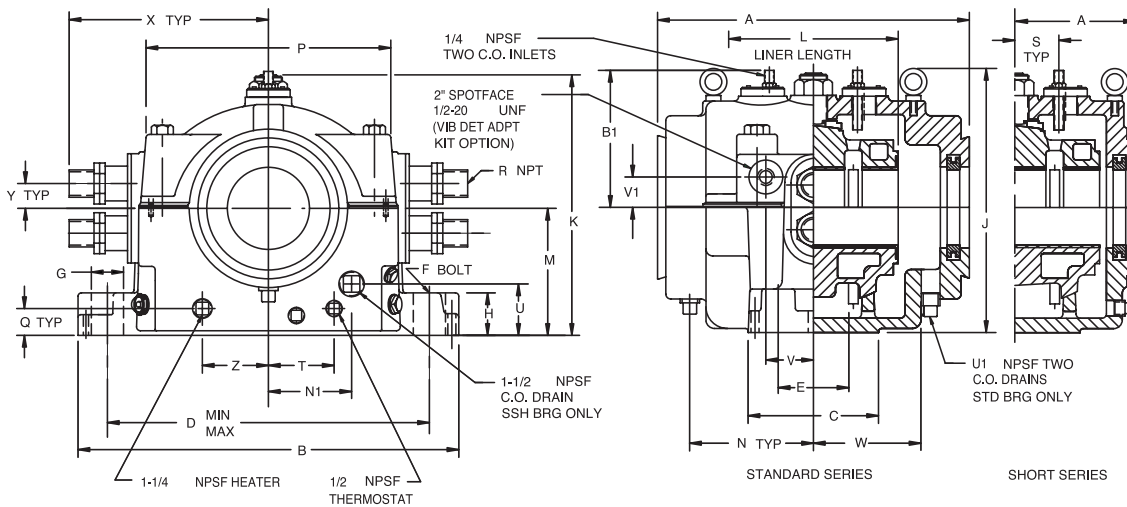
IMPERIAL - ISAF

UNIFIED SAF

International Bearings

Sleeve Bearing

SLEEVOIL



FEATURES/BENEFITS  
PAGE B14-3

SPECIFICATION/HTO  
PAGE B14-6

NOMENCLATURE  
PAGE B14-7

SELECTION/DIMENSIONS  
PAGE B14-16

# SELECTION/DIMENSIONS



## SLEEVOIL - R Series 9", 10", 12" XC SLEEVOIL PILLOW BLOCKS

Shaft Size	Non-Expansion Pillow Blocks XC (Externally Cooled) + +		Expansion Pillow Blocks XC (Externally Cooled)				Required to Make Up Non-Expansion Pillow Blocks ● >>	
	STL-XC		STL-XC		SSL-XC #		XC Split Thrust Collars	
	Part No.	Wt.	Part No.	Wt.	Part No.	Wt.	Part No.	Wt.
9	134233 ⊗	1714	132538 ⊗	1600	133565 ⊗	1500	133303	57
10	134234 ⊗	2148	132539 ⊗	2000	133566 ⊗	1750	133304	74
12	134235 x	....	132559 x	3300	....	....	133305	....

Shaft Size	Auxiliary Seal Kits ##		Housing End Cap Kits		Heater XC		Circulating Oil Inlet Kits >		Neoprene End Closure ##		Liner Assemblies XC	
	Part No.	Wt.	Part No.	Wt.	Part No.	Wt.	Part No.	Wt.	Part No.	Wt.	Part No.	Wt.
9	132814	23.1	132564	15.9	132840	4.0	430155	2	133996	1.5	132591	300
10	132816	24.2	132565	16.4	132840	4.0	430155	2	133995	1.6	132594	400
12	132819	40.0	132566	25.0	....	....	....	....	133997	1.9	132597	600

Shaft Size	A		B		C		D (Min.-Max.)		E	
	STL	SSL	STL	SSL	STL	SSL	STL	SSL	STL	SSL
9	29	22-1/4	37	37	15-1/2	15-1/2	28-3/8 - 31-5/8	28-3/8 - 31-5/8	8	8
10	30	23-1/4	40	40	17	17	31-1/4 - 34-3/4	31-1/4 - 34-3/4	9	9
12	34	....	46	....	18	....	36-5/8 - 40-3/8	....	10	....

Shaft Size	F-Bolt		G		H		J		K		L	M
	STL	SSL	STL	SSL	STL	SSL	STL	SSL	STL	SSL	XC	STL & SSL
9	1-3/4	1-3/4	3-1/2	3-1/2	6	6	26-13/16	26-3/4	25-1/2	25-1/2	17	12
10	2	2	4	4	6-3/4	6-3/4	29-5/16	29-1/4	28-1/4	28-1/4	18	13-1/2
12	2	....	4-1/8	....	7	7	34-3/4	29-5/16	33-1/16	....	20	16

Shaft Size	N	N1	P		Q	R Pipe	S	T	U	U1	V	V1
	STL	SSL	STL	SSL	STL & SSL	XC	STL & SSL	STL & SSL	SSL	STL	STL & SSL	STL & SSL
9	11-7/8	5-3/4	21-3/4	21-3/4	2-1/2	1-1/4	3-3/8	6-3/8	5-1/8	1-1/2	5	1-1/2
10	12-3/8	5-1/2	23-3/4	23-3/4	3	1-1/2	3-1/2	7	6-1/8	1-1/2	7	2
12	....	....	28-3/4	....	....	2	....	....	....	....	....	....

Shaft Size	W		X	Y	Z	B1		Thrust Collar (Dia. x Width) ●	Oil (fl. oz.)
	STL	SSL	XC	XC	STL & SSL	STL	SSL	XC	
9	10-5/8	10-5/8	16-1/4	2-1/4	6-3/8	13-5/8	13-5/8	13 x 3-3/16	320
10	11	11	17-1/2	2-5/8	7	14-1/2	14-1/2	14-3/8 x 3-3/16	640
12	12-1/16	....	20-1/4	....	....	....	....	17-1/4 x 3-1/2	704

- # Not adaptable to non-expansion
- ## One required per pillow block end
- > One required per pillow block
- >> Not furnished unless specifically ordered
- \* Vibration detector adaptor kit @ 5.0 lbs. (part no. 430153) thermostat @ 2.0 lbs. (part no. 133116) to be used with heater
- Two required for each expansion block when a non-expansion block is required. Not adaptable to short Series (SSL)
- ⊗ All housings are pre-machined for accessories; thermocouples, circulating oil vibration detector, heater and thermostat
- x Assembled-to-order, Not "L" version
- + + Non-Expansion Pillow Blocks include housing, liner and two split thrust collars

FEATURES/BENEFITS PAGE B14-3	SPECIFICATION/HTO PAGE B14-6	NOMENCLATURE PAGE B14-7	SELECTION/DIMENSIONS PAGE B14-16
---------------------------------	---------------------------------	----------------------------	-------------------------------------



# SELECTION/DIMENSIONS



## SLEEVOIL - RTL Series 3-7/16" THRU 12" RTL SLEEVOIL PILLOW BLOCKS

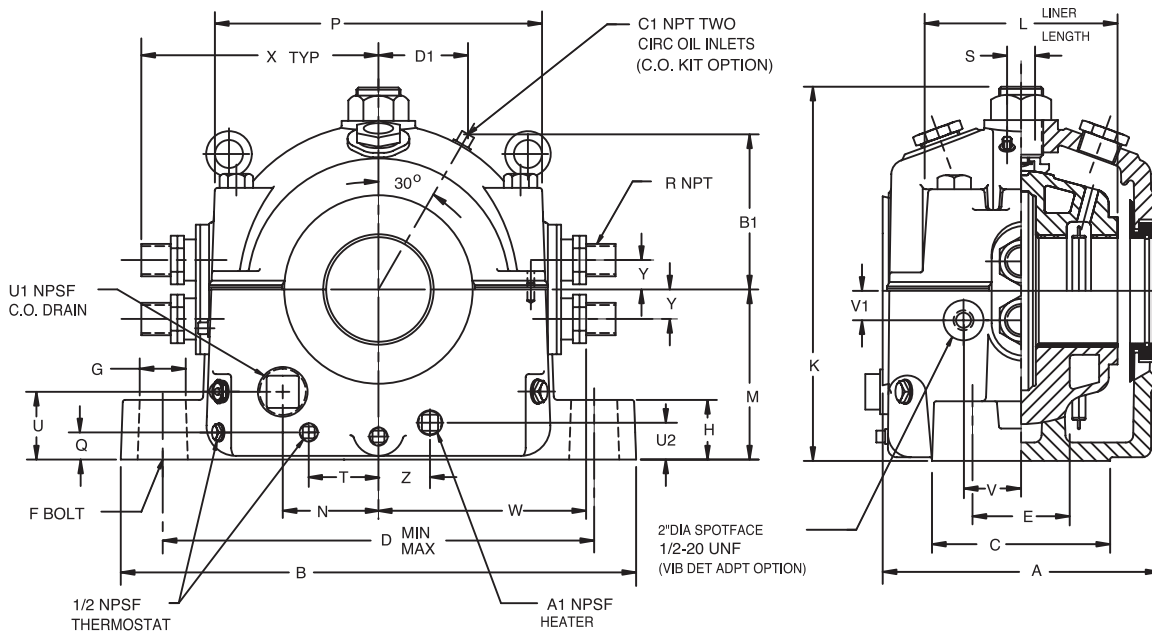
IMPERIAL - ISAF

UNIFIED SAF

International Bearings

Sleeve Bearing

SLEEVOIL



FEATURES/BENEFITS  
PAGE B14-3

SPECIFICATION/HTO  
PAGE B14-6

NOMENCLATURE  
PAGE B14-7

SELECTION/DIMENSIONS  
PAGE B14-16



# SELECTION/DIMENSIONS



## SLEEVOIL - RTL Series 3-7/16" THRU 12" RTL SLEEVOIL PILLOW BLOCKS

Shaft Size	Non-Expansion Pillow Blocks ++		Expansion Pillow Blocks		Required to Make-Up Non-Expansion Pillow Blocks F >> ●				Optional Accessories >> *						
					Thrust Plate Kits		Split Thrust Collar ⊗ ⊗		Auxiliary Seal Kits # #		Housing End Cap Kits		Heater		Pipe Grommet Kits
	Part No.	Wt.	Part No.	Wt.	Part No.	Wt.	Part No.	Wt.	Part No.	Wt.	Part No.	Wt.	Part No.	Wt.	Part No.
3-7/16	132362	195	132474	190	132218	2.5	132151	2.6	132811	4.9	132542	5.3	132836	1.0	132645
3-15/16	132363	238	132475	230	132219	4.3	132152	4.2	432181	6.4	432190	6.1	132838	2.5	132646
4-7/16	132364	311	132476	300	132220	5.4	132153	5.6	432184	7.0	432193	6.8	132838	2.5	132646
4-15/16	132365	441	132477	425	132221	6.9	132154	8.7	432187	7.5	432196	7.3	132839	3.0	132647
5-7/16	132366	521	132383	500	132222	10.2	132155	10.8	133932	12.4	132546	11.6	132839	3.0	132647
6	132367	854	132384	825	132223	12.7	132156	15.9	133933	14.8	132547	10.6	132839	3.0	132647
7	132368	1018	132385	978	132224	17.6	132157	22.4	133937	19.0	132548	13.5	132840	4.0	132647
8	132369	1368	132386	1310	132225	23.1	132158	34.5	133938	24.9	132549	15.5	132840	4.0	132648
9	132370	1738	132387	1650	132226	42.6	132159	45.9	132814	23.1	132564	15.9	132840	4.0	132648
10	132371	2262	132388	2150	132227	52.7	132160	59.8	132816	24.2	132565	16.4	132840	4.0	132649
12	132372	3670	132389	3500	132228	74.1	132161	96.4	132819	40.0	132566	25.0	132841	7.5	132650

Shaft Size	Optional Accessories >> *		Replacement Liner Assemblies		A	B	C	D (Max.-Min.)	E	F Dia. Bolt	G	H	K
	Circulating Oil Inlet Kits >												
	Part No.	Wt.	Part No.	Wt.									
3-7/16			132420	47	10	18-3/4	6	16-1/8 - 14-7/8	3	3/4	1-1/2	2	12-9/16
3-15/16			132421	65	10-3/4	20-3/4	7	18 - 16-1/2	3-1/2	7/8	1-3/4	2-1/4	13-5/8
4-7/16	132203	2	132422	82	11-3/4	21-3/4	7-1/2	18-7/8 - 17-1/8	4	1	2	2-1/2	15-1/4
4-15/16			132423	113	12-3/4	24-1/4	8-1/2	21-3/8 - 19-5/8	4-1/2	1	2	2-3/4	17-3/8
5-7/16			132424	144	14	26-3/4	9-1/2	23-1/4 - 21-1/4	5	1-1/8	2-1/4	3-1/4	18-7/8
6			132425	182	16	29	10-1/2	25-1/8 - 22-7/8	5-1/2	1-1/4	2-1/2	3-1/2	20-1/8
7			132426	257	18	33	12-1/2	28-7/8 - 26-1/8	6-1/2	1-1/2	3	4	22-3/8
8	132205	2	132427	412	19-3/4	38	14	33-1/8 - 29-7/8	7-1/2	1-3/4	3-1/2	4-1/2	25-13/16
9			132428	623	22-3/4	41-1/2	15-1/2	6-5/8 - 33-3/8	8	1-3/4	3-1/2	5	28-1/4
10			132429	955	24-1/2	47-1/2	17	41-7/8 - 38-1/8	9	2	4	6	33-7/8
12			132430	1405	29	49	18	43-5/8 - 41-7/8	10	2	3	6-1/2	37

Shaft Size	L	M	N	P	Q	R	S	T	U	U1	U2
3-7/16	6-3/4	5-7/8	3-5/8	11-5/8	1-1/8	3/4	1-3/8	....	2-3/4	1-1/2	1-1/8
3-15/16	7-1/4	6-1/2	4-3/8	12-7/8	1-1/8	1	1-1/2	....	2-15/16	1-1/2	1-1/4
4-7/16	8	7	4-1/2	13-3/4	1-1/4	1	1-1/2	....	2-15/16	1-1/2	1-3/8
4-15/16	8-7/8	7-3/4	5-1/8	16	1-1/4	1-1/4	1-5/8	....	3-1/4	2	1-1/2
5-7/16	10	8-3/4	5-3/4	17-1/4	1-5/8	1-1/4	2	2-15/16	3-3/4	2	1-7/8
6	10-7/8	9-1/2	6-1/4	18-3/4	1-5/8	1-1/4	2-1/8	3-1/2	4	2	1-7/8
7	12-1/2	10-3/4	6-7/8	21-1/4	2	1-1/4	2-1/4	4	4-1/4	2	2
8	14-1/8	12-1/4	8-1/2	24-1/4	2-1/4	2	2-3/8	5-1/2	4-3/4	2	2-1/4
9	16-1/4	13-1/2	9-3/16	27-1/4	2-1/4	2	3	5-1/2	5-1/16	2	2-1/4
10	17-3/4	16	11	31	2-7/8	2-1/2	3-1/8	8-1/2	5-9/16	2-1/2	2-7/8
12	20-3/4	17-3/4	12-7/16	35-1/2	3-1/8	3	3-1/4	9	6-1/8	2-1/2	3-1/8

Shaft Size	V	V1	W ±3/16	X	Y	Z	A1	B1	C1	D1	Thrust Collar Dia. x Width	Oil (fl. oz.)
3-7/16	3-1/4	3/4	7-5/8	8-3/4	1-1/4	3-9/16	3/4	7-1/4	1/4	4-3/16	5-1/2 x 3/4	56
3-15/16	3	1-1/2	8-11/16	9-13/16	1-1/4	4-1/16	1	7-11/16	1/4	4-9/16	6-1/4 x 3/4	64
4-7/16	3-1/4	1-5/8	9-1/8	10-1/4	1-1/4	4-7/16	1	8-1/8	1/4	4-5/8	7 x 3/4	80
4-15/16	3-3/4	1-3/4	10-3/4	12-7/16	1-7/8	5-3/8	1-1/4	8-1/2	1/4	4-15/16	8 x 7/8	128
5-7/16	4	1-3/4	11-7/16	12-7/8	1-7/8	5-5/8	1-1/4	9-1/16	1/4	5-1/4	8-1/2 x 1	152
6	3-3/4	2	12-3/16	13-1/2	1-7/8	6-1/8	1-1/4	10-7/8	3/8	6-5/16	9-11/16 x 1-1/8	224
7	4-1/2	2	13-3/16	14-5/8	1-7/8	6-7/8	1-1/4	12-1/16	3/8	6-15/16	11-1/4 x 1-1/4	336
8	5	2	15-11/16	17-7/8	2-1/4	8-3/8	1-1/4	13-1/8	3/8	7-3/16	13 x 1-3/8	416
9	5-1/2	2	17-1/8	19-1/4	2-1/4	9-1/16	1-1/4	14-3/16	3/8	8-3/16	14-1/2 x 1-1/2	608
10	6	2	19-13/16	22-1/2	2-3/4	10-5/8	1-1/4	15-1/8	3/8	8-3/4	16 x 1-5/8	896
12	6-1/2	2	22	24-1/4	3-1/2	12-1/8	1-1/4	19-1/2	3/8	9-9/16	19-1/2 x 1-3/4	1440

- ## One required per pillow block end
- > One required per pillow block
- >> Not furnished unless specifically ordered
- \* Vibration detector adaptor kit @ 5.0 lbs. (part no. 430153) thermostat @ 2.0 lbs. (part no. 133116) to be used with heater
- One of each required for each expansion block when a non-expansion block is required.
- ⊗ ⊗ For recessed shaft
- ++ Non-Expansion Pillow Blocks include housing, liner, thrust plate kit and one split thrust collar

All sizes are pre-machined for accessories thermocoupling, circulating oil, vibration detector, heater and thermostat

FEATURES/BENEFITS PAGE B14-3	SPECIFICATION/HTO PAGE B14-6	NOMENCLATURE PAGE B14-7	SELECTION/DIMENSIONS PAGE B14-16
---------------------------------	---------------------------------	----------------------------	-------------------------------------



# SELECTION/DIMENSIONS



## SLEEVOIL - RXT Series 2-15/16" THRU 12" RXT SLEEVOIL PILLOW BLOCKS

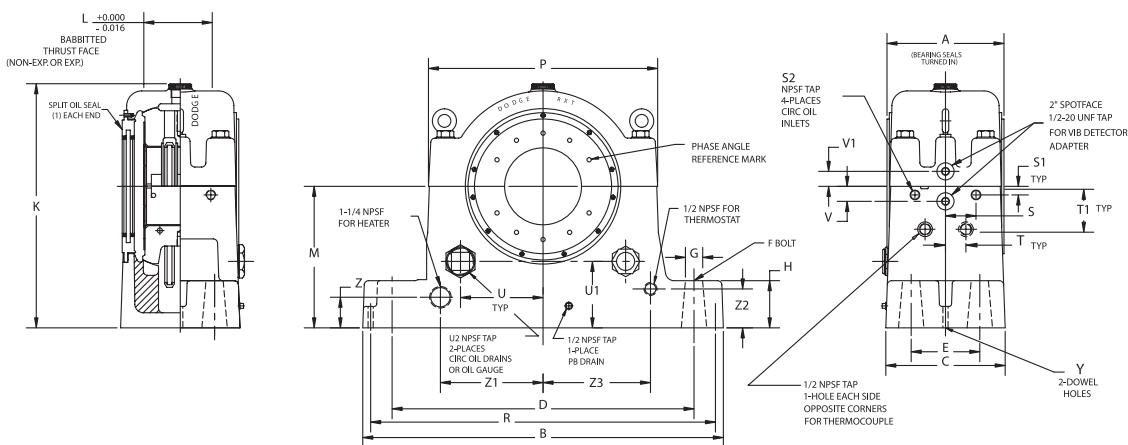
IMPERIAL - ISAF

UNIFIED SAF

International Bearings

Sleeve Bearing

SLEEVOIL



FEATURES/BENEFITS  
PAGE B14-3

SPECIFICATION/HTO  
PAGE B14-6

NOMENCLATURE  
PAGE B14-7

SELECTION/DIMENSIONS  
PAGE B14-16

# SELECTION/DIMENSIONS



## SLEEVOIL - RXT Series 2-15/16" THRU 12" RXT SLEEVOIL PILLOW BLOCKS

Size	For Shaft	Oil (Gal.)	A	B	C	D	E	F Dia. Bolt	G	H	K	L	M	P	R
3	2-15/16, 3-7/16	1-1/4	7-15/16	23-1/4	7-3/4	19-7/8	3-3/4	3/4	1-1/2	3	14-5/8	3-3/16	8-3/4	13-1/4	21
4	3-15/16, 4-7/16	1-7/8	9-3/16	26-1/4	9	22-1/4	4-5/8	1	2	3-7/8	17-3/8	4-3/16	10-5/8	15-1/4	24
5	4-15/16, 5-7/16	2-1/2	10-7/16	29-1/2	10-7/16	25	5-1/2	1-1/8	2-1/4	4-3/16	20-7/8	5-3/16	12-5/16	17-3/4	27
6	6, 7	3-1/4	12	34-1/2	12	29-1/2	6-1/2	1-1/2	2-5/8	4-1/2	23-1/16	6-1/2	13-1/4	21-1/2	31-1/4
8	8, 9	5-1/8	14-1/4	41-3/4	14-5/8	36	8	1-3/4	2-7/8	4-1/2	27-1/4	8-1/2	15-1/2	26-3/4	38
10	10, 12	7-3/4	17-1/4	49	17-3/4	42-3/4	10	2	3-1/8	5-3/8	31-5/8	11	17-3/4	32	44

Size	For Shaft	S	S1	S2	T	T1	U	U1	U2	V	V1	Y	Z	Z1	Z2	Z3
3	2-15/16, 3-7/16	1-3/8	23/32	1/2	13/16	2-3/16	4-1/4	5-1/16	1-1/4	....	1-5/16	19/32	1-7/8	5-3/4	3-1/4	5-1/2
4	3-15/16, 4-7/16	1-5/8	23/32	1/2	1-1/16	2-3/4	5-1/4	6-1/8	2	....	1-1/8	23/32	2-3/8	6-5/8	3-9/16	6-1/2
5	4-15/16, 5-7/16	2-1/8	23/32	1/2	1-1/4	3-5/16	6-5/8	6-1/16	2	....	1-3/8	23/32	2-3/8	7-3/4	3-9/16	8
6	6, 7	2-7/8	15/16	3/4	2	4	8-1/4	6	2-1/2	1-3/4	....	23/32	2-1/8	5-1/4	3-1/4	9-1/4
8	8, 9	3-5/8	15/16	3/4	2-3/8	5	10-1/8	6-1/2	2-1/2	1-3/4	....	23/32	3-1/8	11-1/2	4	11-3/4
10	10, 12	4-9/16	1-1/4	1	3	6-1/2	12	7-5/8	2-1/2	2	....	23/32	3	14	4-1/8	14-1/2

Size	For Shaft	Housing ▲▲		S Liner Part No.	T Liner Part No. ++	Liner Wt.	Split Thrust Collar Kit *	Recessed Shaft Split Thrust Collar Kit >>		Split Seal Ring ◆	
		Part No.	Wt.					Split Thrust Collar Kit >>	Part No.	Fits Shaft	
3	2-15/16 3-7/16	134500	173	134710 134711	134510 134511	43	134880 134881	432176	134860	2-15/16	
								432271	134861 134862	3-7/16 4-7/16	
4	3-15/16 4-7/16	134501	305	134712 134713	134512 134513	90	134882 134883	432272	134863	3-15/16	
								432273	134864 134865	4-7/16 6	
5	4-15/16 5-7/16	134502	440	134714 134715	134514 134515	144	134884 134885	432274	134866	4-15/16	
								432275	134867 134868	5-7/16 8	
6	6 7	134503	740	134716 134717	134516 134517	195	134886 134887	432276	134869	6	
								432277	134870 134871	7 10	
8	8 9	134504	1091	134718 134719	134518 134519	353	134888 134889	432165	134872	8	
								432278	134873 134874	9 12	
10	10 12	134505	2126	134720 134721	134520 134521	800	134890 134891	432279	134875	10	
								432448	134876 134877	12 14-1/2	

Order housings, liners, and seals separately.  
 #3, 4, & 5 bearing sizes have one oil ring.  
 #6, 8, & 10 bearing sizes have two oil rings.

\* For use with S liner only.  
 Back-up shoulders are required. Contact Dodge for shaft dimensions per #C11235.

▲▲ Housings include oil ring(s), sight gauge, pipe plugs, and eye bolts.

>> For use with S liner only.  
 Recessed shaft grooves are required.  
 Contact Dodge for shaft dimensions per #B48371.

++ When ordering the T liner, integral thrust collars are required. Contact Dodge for exact

◆ One seal required for each end of housing

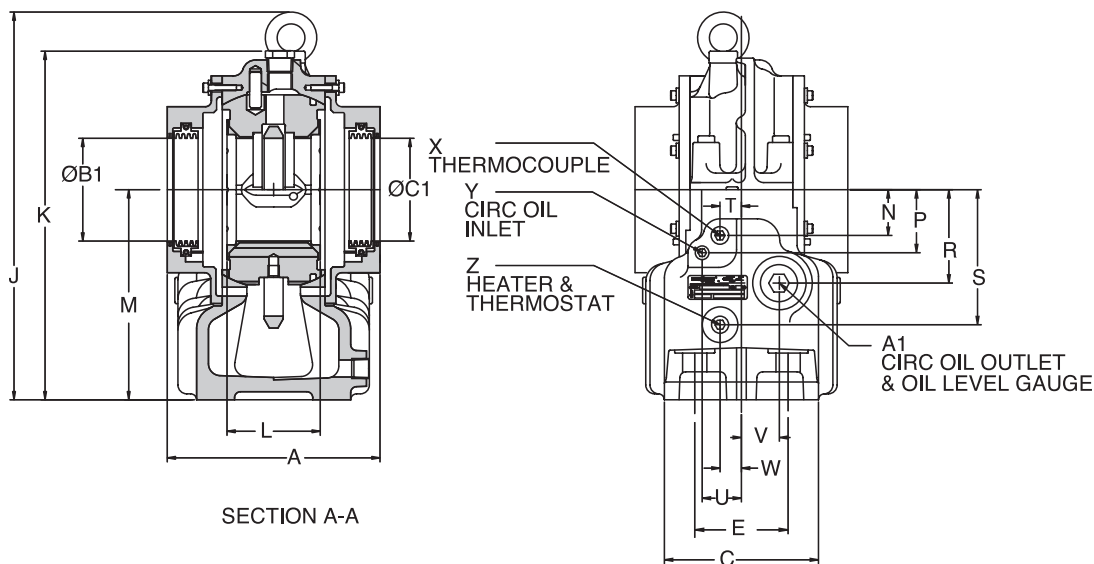
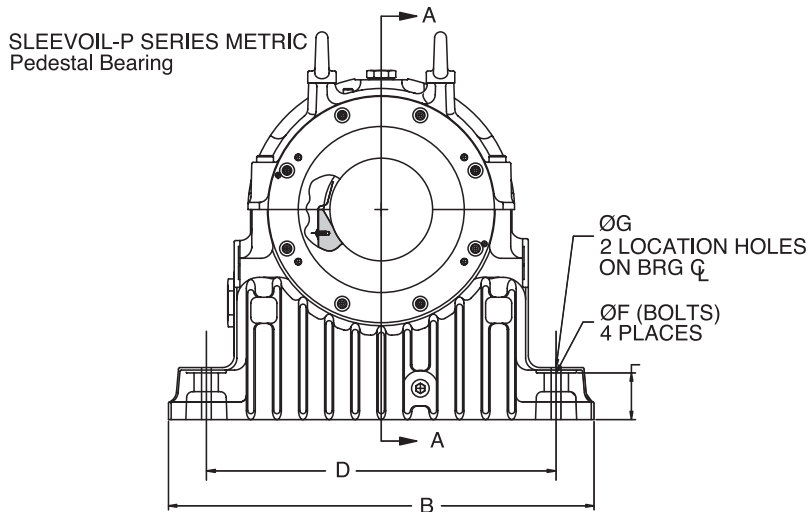
FEATURES/BENEFITS PAGE B14-3	SPECIFICATION/HTO PAGE B14-6	NOMENCLATURE PAGE B14-7	SELECTION/DIMENSIONS PAGE B14-16
---------------------------------	---------------------------------	----------------------------	-------------------------------------



# SELECTION/DIMENSIONS



## SLEEVOIL - P Series PEDESTAL BEARING



FEATURES/BENEFITS  
PAGE B14-3

SPECIFICATION/HTO  
PAGE B14-6

NOMENCLATURE  
PAGE B14-7

SELECTION/DIMENSIONS  
PAGE B14-16



# SELECTION/DIMENSIONS



## SLEEVOIL - P Series PEDESTAL BEARING

SIZE	SHAFT SIZE	A	B	C	D	E	F	G	H	J MAX	K MAX	L	M	N	P
9	80	201	335	145	300	90	22	10.2	35	355	320	80	190	65	29
	90						FOR								
	100						M16								
11	100	228	450	165	375	100	26	10.2	50	417	375	100	225	49	67
	110						FOR								
	125						M20								
14	125	265	540	205	450	125	30	10.2	60	498	450	125	265	70	80
	140						FOR								
	160						M24								
18	160	310	660	245	560	150	40	15.5	70	596	525	160	315	105	93
	180						FOR								
	200						M30								
22	200	371	800	310	670	200	46	15.5	80	703	650	200	375	115	112
	225						FOR								
	250						M36								

SIZE	SHAFT SIZE	R	S	T	U	V	W	X	Y	Z	A1	⊗ B1 & ⊗ C1
9	80	85	127	23	38	16	23	1/2 - 14 NPTF	3/8 - 18 NPTF	1/2 - 14 NPSF	1-1/4 - 11/12 NPTF	80/90/100/110
	90											
	100											
11	100	100	145	23	42	41	23	1/2 - 14 NPTF	3/8 - 18 NPTF	1/2 - 14 NPSF	1-1/4 - 11-1/2 NPTF	100/110/125/140
	110											
	125											
14	125	125	172	27	55	28	25	1/2 - 14 NPTF	3/8 - 18 NPTF	3/4 - 14 NPSF	1-1/2 - 11-1/2 NPTF	125/140/160/180
	140											
	160											
18	160	155	203	30	68	* 76	33	1/2 - 14 NPTF	1/2 - 14 NPTF	3/4 - 14 NPSF	1-1/2 - 11-1/2 NPTF	160/180/200/225
	180											
	200											
22	200	175	252	31.5	82.5	* 63	44.5	1/2 - 14 NPTF	3/4 - 14 NPTF	1-1/4 - 11-1/2 NPSF	2-1/2 - 8 NPTF	200/225/250/280
	225											
	250											

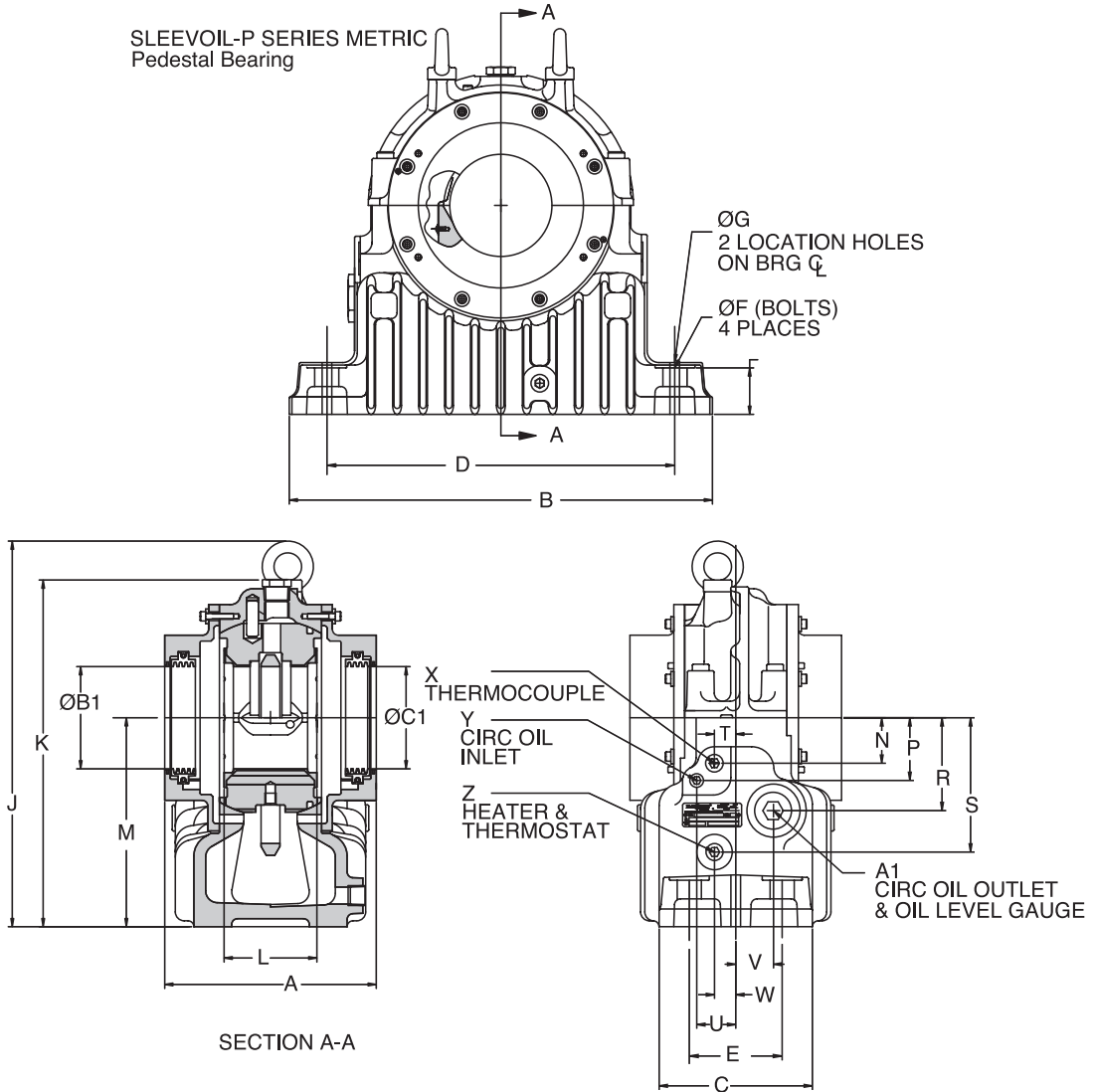
\* Dimension and cir oil inlet are on the opposite side of the center line (left side)

FEATURES/BENEFITS PAGE B14-3	SPECIFICATION/HTO PAGE B14-6	NOMENCLATURE PAGE B14-7	SELECTION/DIMENSIONS PAGE B14-16
---------------------------------	---------------------------------	----------------------------	-------------------------------------

# SELECTION/DIMENSIONS



## SLEEVOIL - P Series Metric PEDESTAL BEARING



# SELECTION/DIMENSIONS



## SLEEVOIL - P Series Metric PEDESTAL BEARING

Size	Shaft Size	Unribbed Pedestal Housing
		Part Number
9	80	135444
	90	
	100	
11	100	135443
	110	
	125	
14	125	135442
	140	
	160	
18	160	135441
	180	
	200	
22	200	135445
	225	
	250	

Size	Shaft Size	Oil Seal	
		Fixed = "X"	Floating = "F"
		Part Number	Part Number
9	80	134430	135348
	90	134431	135349
	100	134432	135350
	110	134433	135351
11	100	134434	135352
	110	134435	135353
	125	134436	135354
	140	134437	135355
14	125	134438	135356
	140	134439	135357
	160	134440	135358
	180	134441	135359
18	160	134442	135360
	180	134443	135361
	200	134444	135362
	225	134445	135363
22	200	134446	135364
	225	134447	135365
	250	134448	135366
	280	134449	135367

### Available Options

- Split Floating Or Fixed Labyrinth Seal
- Closed-End Cover

Size	Shaft Size	Liner Assemblies
		Part Number
9	80	134412
	90	134413
	100	134414
11	100	134415
	110	134416
	125	134417
	14	134418
14	140	134419
	160	134420
	18	134421
18	180	134422
	200	134423
	22	134424
22	225	134425
	250	134426

Size	Part Number	SLV P Series DIN OIL DAM KIT	End Cover Kits
9	135321	SIZE 9 DIN OIL DAM KIT	433233
11	135322	SIZE 11 DIN OIL DAM KIT	433345
14	135323	SIZE 14 DIN OIL DAM KIT	433348
18	135324	SIZE 18 DIN OIL DAM KIT	433308
22	135325	SIZE 22 DIN OIL DAM KIT	

SLV P Series DIN Pedestal Bearing Assembly	
135880	P9U8080F80F SLV PB
135881	P9U9090F90F SLV PB
135882	P9U100100F100F SLV PB
135883	P11U100100F100F SLV PB
135884	P11U110110F110F SLV PB
135885	P11U125125F125F SLV PB
135886	P14U125125F125F SLV PB
135887	P14U140140F140F SLV PB
135888	P14U160160F160F SLV PB
135889	P18U160160F160F SLV PB
135890	P18U180180F180F SLV PB
135891	P18U200200F200F SLV PB
135892	P22U200200F200F SLV PB
135893	P22U225225F225F SLV PB
135894	P22U250250F250F SLV PB

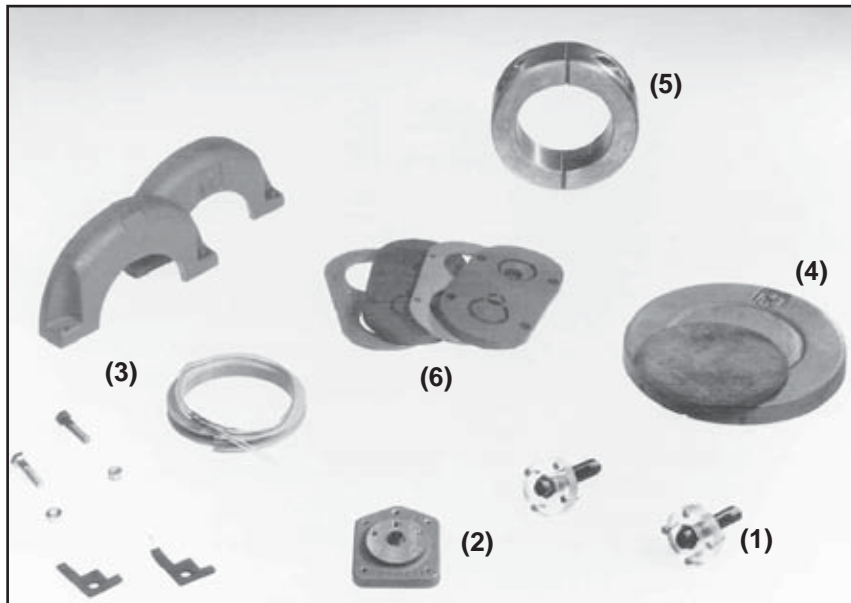
The Above Part Numbers Have Floating Seals As Standard. By Housing Size Additional Standard Seal Combinations Are Available

\* Pedestal units are assembled to order, consisting of one housing, one liner and two oil seals. Oil rings are included in the housing assembly.

FEATURES/BENEFITS PAGE B14-3	SPECIFICATION/HTO PAGE B14-6	NOMENCLATURE PAGE B14-7	SELECTION/DIMENSIONS PAGE B14-16
---------------------------------	---------------------------------	----------------------------	-------------------------------------



SLEEVOIL



A number of standard options are available for all SLEEVOIL bearings (See Fig. 4). These non-standard components can be used to enhance overall bearing performance in a number of ways, including significant expansion of the bearing's operating envelope, maintaining consistent performance in extremely changeable or hostile surroundings, improved system diagnostic capabilities, and more. The ten most common options are listed below. (Note: Additional modifications can be designed for special applications.)

**Thermocouple**-Monitors bearing's babbitt temperature to help protect system against abnormal operating conditions.

**Circulating Oil**-Provides controlled delivery of oil regardless of shaft surface speed. Provides more rapid heat dissipation, constantly cleans oil, and floods bearing journal, all of which allows significantly higher speed operation. **R Series - Circulating Oil Inlet Kit (1)**

**Heater & Thermoswitch** - Maintains consistent bearing oil sump temperature on startup in cold environments.

**Vibration Detector Kit**-Attaches vibration sensors to bearing housing to allow constant monitoring of system balance. **(2)**

**Auxiliary Seals**-Provide additional protection from environmental contaminants and locations where high velocity air flows over the bearing. **(3)**

**End Cap**-Closes off bearing housing in short shafted applications. **(4)**

**Hydrostatic Oil Lift**-Maintains fully developed oil film by pressurized oil delivery to bearing journal load zone. Used primarily for slow speed operation or startup under extremely heavy loads

OPTION	BEARING SERIES		
	P	RTL	R
Thermocouple	√	√	√
Circulating Oil	√	√	√
Water Jacketed Liner	-	√	√
Heater & Thermostat	√	√	√
Vibr. Detector Kit	-	√	√
Auxiliary Seals	-	√	√
End Cap Kit	√	√	√
Air Seal	-	-	-
Elec. Insulation	-	√	√
Hydrostatic Oil Lift	√		

Fig. 4

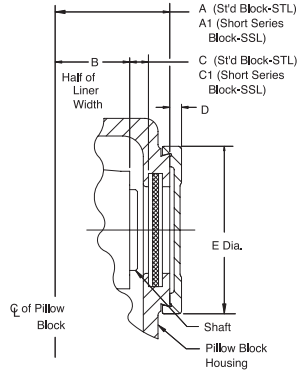
**R Series - Split Thrust Collar (5)**

**R Series - Grommet and Grommet Plate (6)**

# MODIFICATIONS/ACCESSORIES



## SLEEVOIL Traditional (Inch) 3-7/16" THRU 14" END CAP KITS SLEEVOIL ACCESSORIES



END CAP KIT

Bore Size	Pillow Block Style	End Cap Kits				A STL	A1 SSL	B # One Half Liner	C # STL	C1 # SSL
		Part Number	Wt.	D	E					
3-7/16	Plain/Water Cooled STL and SSL	<b>132542</b>	5.3	1/2	7-1/8	6-1/2	4-7/8	3-1/2	2-3/32	15/32
3-15/16	PLXC, STL and SSL	<b>432190</b>	6.1	1/2	8	7-1/2	5-1/2	4	2-5/8	5/8
4-7/16		<b>432193</b>	6.8	1/2	8-3/4	8-1/4	6-1/4	4-1/2	2-23/32	23/32
4-15/16		<b>432196</b>	7.3	1/2	9-1/8	9-1/8	6-7/8	5	3- 3/32	27/32
5-7/16		<b>132546</b>	11.6	1/2	10-1/2	9-7/8	7-5/8	5-1/2	3-3/32	27/32
6		<b>132547</b>	10.6	1/2	11-1/2	10-5/8	8-1/8	6	3-11/32	27/32
7		<b>132548</b>	13.5	1/2	12-9/16	12-1/4	9-3/8	7	3-29/32	1-1/32
8		<b>132549</b>	15.5	1/2	14-1/2	13-7/8	10-1/2	8	4-17/32	1- 5/32
3-7/16		RTL	<b>132542</b>	5.3	1/2	7-1/8	5	...	3-3/8	27/32
3-15/16	<b>432190</b>		6.1	1/2	8	5-3/8	...	3-5/8	29/32	...
4-7/16	<b>432193</b>		6.8	1/2	8-3/4	5-7/8	...	4	1-1/32	...
4-15/16	<b>432196</b>		7.3	1/2	9-1/8	6-3/8	...	4-7/16	1-3/32	...
5-7/16	<b>132546</b>		11.6	1/2	10-1/2	7	...	5	1-5/32	...
6	<b>132547</b>		10.6	1/2	11-1/2	8	...	5-7/16	1-11/32	...
7	<b>132548</b>		13.5	1/2	12-9/16	9	...	6-1/4	1-17/32	...
8	<b>132549</b>		15.5	1/2	14-1/2	9-7/8	...	7-1/16	1-19/32	...
9	STL Plain	<b>132564</b>	15.9	1/2	14-1/2	13-7/8	.....	8	4-17/32	.....
	XC					14-1/2	.....	8-1/2	4-21/32	.....
	SSL Plain					.....	10-1/2	8	.....	1-5/32
	SSL					.....	11-1/8	8-1/2	.....	1-9/32
	XC					.....	11-3/8	8-1/8	2-1/32	.....
RTL	13-7/8	.....	8	4-17/32	.....					
10	STL Plain	<b>132565</b>	16.4	1/2	14-1/2	15	.....	9	4-21/32	.....
	XC					.....	10-1/2	8	.....	1-5/32
	SSL					.....	11-5/8	9	.....	1-9/32
	Plain					.....	12-1/4	8-7/8	2-1/32	.....
	SSL					15	.....	9	4-21/32	.....
	XC					14-1/2	.....	10-3/8	2-25/32	.....
RTL	17	.....	10	5-21/32	.....					
12	STL Plain	<b>132566</b>	26	1/2	18-3/4	15	.....	9	4-21/32	.....
	RTL					14-1/2	.....	10-3/8	2-25/32	.....
14	STD Plain	<b>132567</b>	26.5	1/2	18-3/4	17	.....	10	5-21/32	.....

# B+C (OR B+C1) = max. shaft penetration from center line of pillow block

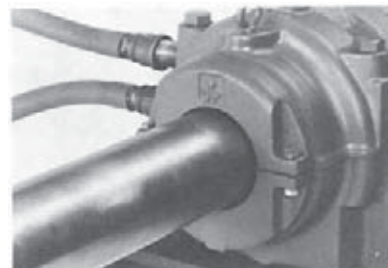
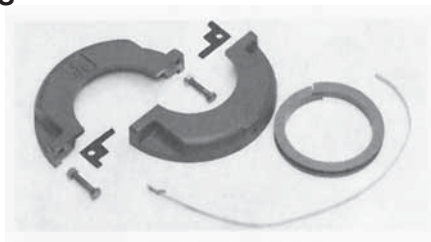
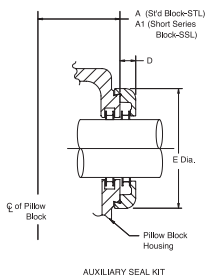
FEATURES/BENEFITS PAGE B14-3	SPECIFICATION/HTO PAGE B14-6	NOMENCLATURE PAGE B14-7	SELECTION/DIMENSIONS PAGE B14-16
---------------------------------	---------------------------------	----------------------------	-------------------------------------



# MODIFICATIONS/ACCESSORIES



## SLEEVOIL Traditional (Inch) 3-7/16" THRU 14" AUXILIARY SEAL KITS SLEEVOIL ACCESSORIES



Bore Size	Pillow Block	Auxiliary Seal Kits				A STL	A1 SSL	B # One Half Liner	C # STL	C1 # SSL
	Style	Part Number	Wt.	D	E					
3-7/16	Plain/Water Cooled STL and SSL	<b>132811</b>	4.9	15/16	7-1/8	6-1/2	4-7/8	3-1/2	2-3/32	15/32
3-15/16	PLXC, STL and SSL	<b>432181</b>	6.4	15/16	8	7-1/2	5-1/2	4	2-5/8	5/8
4-7/16		<b>432184</b>	7.0	1	8-3/4	8-1/4	6-1/4	4-1/2	2-23/32	23/32
4-15/16		<b>432187</b>	7.5	1	9-1/8	9-1/8	6-7/8	5	3-3/32	27/32
5-7/16		<b>133932</b>	12.4	1-5/16	10-1/2	9-7/8	7-5/8	5-1/2	3-3/32	27/32
6		<b>133933</b>	14.8	1-5/16	11-1/2	10-5/8	8-1/8	6	3-11/32	27/32
7		<b>133937</b>	19.0	1-7/16	12-9/16	12-1/4	9-3/8	7	3-29/32	1-1/32
8		<b>133938</b>	24.9	1-7/16	14-1/2	13-7/8	10-1/2	8	4-17/32	1-5/32
3-7/16	RTL	<b>132811</b>	4.9	15/16	7-1/8	5	...	3-3/8	27/32	...
3-15/16		<b>432181</b>	6.4	15/16	8	5-3/8	...	3-5/8	29/32	...
4-7/16		<b>432184</b>	7.0	1	3-3/4	5-7/8	...	4	1-1/32	...
4-15/16		<b>432187</b>	7.5	1	9-1/8	6-3/8	...	4-7/16	1-3/32	...
5-7/16		<b>133932</b>	12.4	1-5/16	10-1/2	7	...	5	1-5/32	...
6		<b>133933</b>	14.8	1-5/16	11-1/2	8	...	5-7/16	1-11/32	...
7		<b>133937</b>	19.0	1-7/16	12-9/16	9	...	6-1/4	1-17/32	...
8	<b>133938</b>	24.9	1-7/16	14-1/2	9-7/8	...	7-1/16	1-19/32	...	
9	STL Plain	<b>132814</b>	23.1	1-5/16	14-1/2	13-7/8	.....	8	4-17/32	.....
	XC					14-1/2	.....	8-1/2	4-21/32	.....
	SSL Plain					.....	10-1/2	8	.....	1-5/32
	XC				.....	11-1/8	8-1/2	.....	1-9/32	
	RTL					11-3/8	.....	8-1/8	2-1/32	.....
10	STL Plain	<b>132816</b>	22	1-5/16	14-1/2	13-7/8	.....	8	4-17/32	.....
	XC					15	.....	9	4-21/32	.....
	SSL Plain					.....	10-1/2	8	.....	1-5/32
	XC					.....	11-5/8	9	.....	1-9/32
	RTL					12-1/4	.....	8-7/8	2-1/32	.....
12	STL Plain	<b>132819</b>	32	1-5/16	18-3/4	15	.....	9	4-21/32	.....
	RTL					14-1/2	.....	10-3/8	2-25/32	.....
14	STD Plain	<b>132822</b>	30	1-5/16	18-3/4	17	.....	10	5-21/32	.....

# B+C (OR B+C1) = max. shaft penetration from center line of pillow block

FEATURES/BENEFITS  
PAGE B14-3

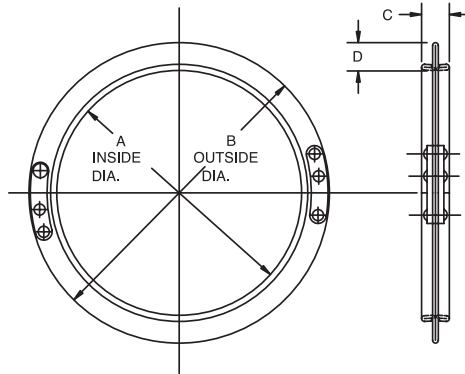
SPECIFICATION/HTO  
PAGE B14-6

NOMENCLATURE  
PAGE B14-7

SELECTION/DIMENSIONS  
PAGE B14-16



## SLEEVOIL Traditional (Inch) 1-7/16" THRU 14" T SECTION OIL RING FOR SLEEVOIL STL, SSL AND RTL SERIES PILLOW BLOCKS



Ring No.	Shaft Size			Part Number	Wt.	A	B	C	D
	Plain	PLXC or WC Rept.	RTL						
212	1-7/16	...	...	<b>130063</b>	.10	2-3/4	3-3/8	5/16	5/16
300	1-11/16	1-11/16	...	<b>130044</b>	.11	3	3-5/8	5/16	5/16
304	1-15/16	1-15/16	...	<b>130045</b>	.12	3-1/4	3-7/8	5/16	5/16
312	2-3/16	2-3/16	...	<b>130047</b>	.14	3-3/4	4-3/8	5/16	5/16
404	2-7/16	2-7/16	...	<b>130049</b>	.15	4-1/4	4-7/8	5/16	5/16
408	2-11/16	2-11/16	...	<b>130050</b>	.23	4-1/2	5-3/8	7/16	7/16
412	2-15/16	2-15/16	...	<b>130051</b>	.25	4-3/4	5-5/8	7/16	7/16
508	3-7/16	3-7/16	...	<b>130054</b>	.26	5-1/2	6-3/8	7/16	7/16
600	3-15/16	3-15/16	3-7/16	<b>130056</b>	.50	6	6-7/8	5/8	7/16
612	4-7/16	4-7/16	3-15/16	<b>130057</b>	.55	6-3/4	7-5/8	5/8	7/16
708	4-15/16	4-15/16	4-7/16	<b>130058</b>	.65	7-1/2	8-3/8	5/8	7/16
808	5-7/16	5-7/16	4-15/16	<b>130059</b>	1.10	8-1/2	9-7/16	3/4	15/32
904	6	6	5-7/16	<b>130060</b>	1.2	9-1/4	10-3/16	3/4	15/32
1000	...	...	6	<b>130078</b>	1.2	10	10-15/16	3/4	15/32
1012	7	7	...	<b>130062</b>	1.3	10-3/4	11-11/16	3/4	15/32
1108	8	8	7	<b>130065</b>	1.5	11-1/2	12-7/16	3/4	15/32
1304	9, 10		8	<b>130066</b>	1.8	13-1/4	14-3/16	3/4	15/32
1400	...	9	...	<b>130067</b>	1.9	14	14-15/16	3/4	15/32
1500	...	10	9	<b>130068</b>	2.0	15	15-15/16	3/4	15/32
1600	12	...	...	<b>130070</b>	2.3	16	16-15/16	3/4	15/32
1708	...	12	10	<b>130073</b>	2.4	17-1/2	18- 7/16	3/4	15/32
1812	14	...	...	<b>130069</b>	2.7	18-3/4	19-11/16	3/4	15/32
2000	...	...	12	<b>130071</b>	3.1	19-3/4	21-1/4	1	3/4

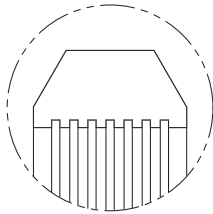
FEATURES/BENEFITS PAGE B14-3	SPECIFICATION/HTO PAGE B14-6	NOMENCLATURE PAGE B14-7	SELECTION/DIMENSIONS PAGE B14-16
---------------------------------	---------------------------------	----------------------------	-------------------------------------

**MODIFICATIONS/ACCESSORIES**

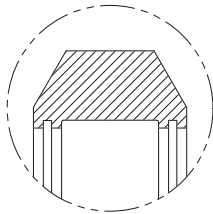
## SLEEVOIL RXT Pillow Blocks

### 2-15/16" THRU 12" Trapezoidal Section Oil Ring

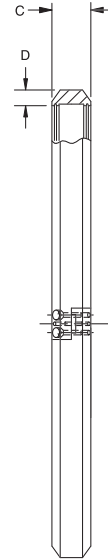
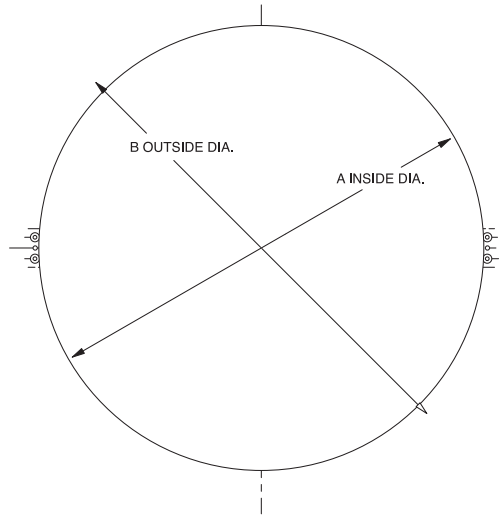
### SLEEVOIL ACCESSORIES



STYLE A



STYLE B



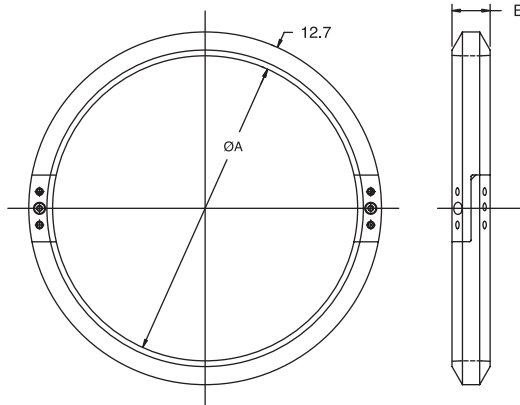
Ring No.	Shaft Size	Part Number	WT. (Lbs)	Style	Ø A	Ø B	C	D
3	2-15/16 3-7/16	<b>134796</b>	3.38	A	6-3/4	7-3/4	1	1/2
4	3-15/16 4-7/16	<b>134798</b>	4.10	A	8-1/4	9-3/8	1-9/64	9/16
5	4-15/16 5-7/16	<b>134800</b>	5.21	A	10-5/8	11-3/4	1-9/64	9/16
6	6 7	<b>134803</b>	5.65	B	12-1/2	13-5/8	1-9/64	9/16
8	8 9	<b>134806</b>	6.89	B	15-1/4	16-3/8	1-9/64	9/16
10	10 12	<b>134809</b>	8.25	B	18-1/4	19-3/8	1-9/64	9/16





## SLEEVOIL 9" THRU 22" SMOOTH BORE OIL RING DIN (METRIC) FOR SLEEVOIL P SERIES PILLOW BLOCKS

SLEEVOIL  
Size 9 Thru 22 Smooth Bore Oil Ring  
For Sleeve DIN P-Series Bearings



### 9" thru 22 Smooth Bore Oil Ring DIN (metric) For SLEEVOIL P Series

Bearing Size	Part Number	Bearing (WT (Kg))	Ø A	B
9	135378	1.0	162.6	21.3
11	135379	1.2	190.5	20.3
14	135380	1.8	230.0	24.9
18	135381	5.5	279.9	29.0
22	135449	7.7	342.9	31.8

FEATURES/BENEFITS PAGE B14-3	SPECIFICATION/HTO PAGE B14-6	NOMENCLATURE PAGE B14-7	SELECTION/DIMENSIONS PAGE B14-16
---------------------------------	---------------------------------	----------------------------	-------------------------------------



# MODIFICATIONS/ACCESSORIES



## SLEEVOIL

### VIBRATION DETECTOR ADAPTER KIT

PART NUMBER 430153

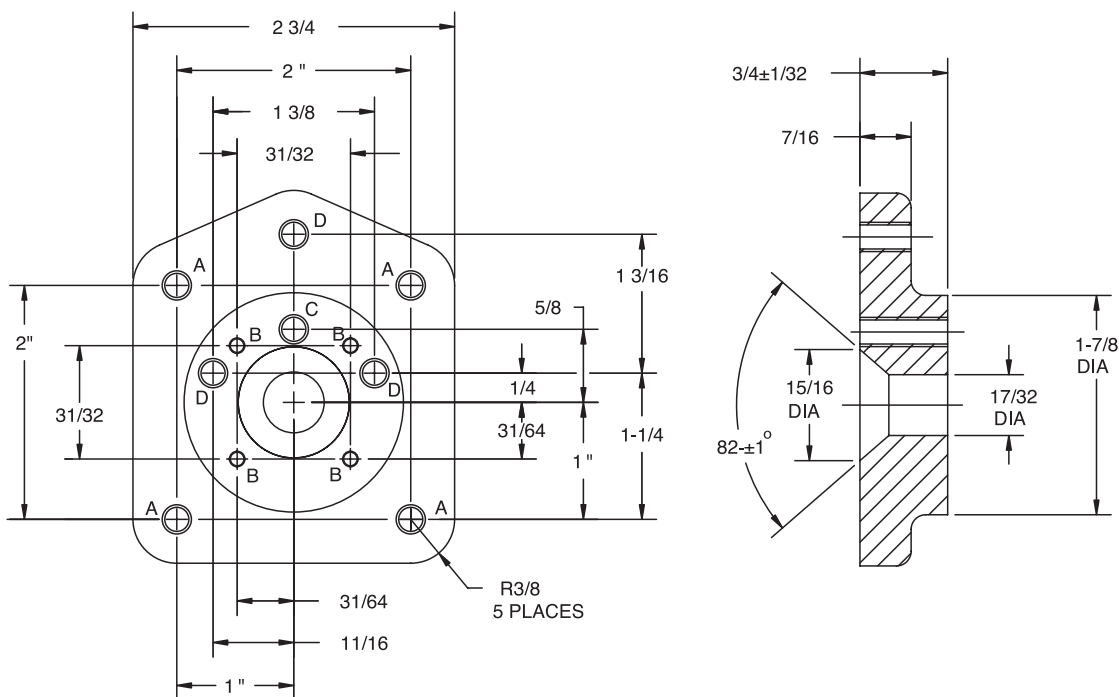
IMPERIAL - ISAF

UNIFIED SAF

International Bearings

Sleeve Bearing

SLEEVOIL



#### Vibration Detector adapter Kit

Part Number 430153

#### SLEEVOIL Accessories

- (A) Hole 5 ( .2055) Dia. Drill Thru 1/4-20 Tap Thru - A30935
- (B) Hole #32 ( .116) Dia. Drill Thru 6-20 Tap Thru - A30936
- (C) Hole 7/32 Dia. Drill Thru 1/4-28 Tap Thru - A30937
- (D) Hole 5 ( .2055) dia. Drill Thru 1/4-20 Tap Thru - A30938

#### Blank Vibration Detector Adapter Kit

Part Number 433326

#### SLEEVOIL Accessories

FEATURES/BENEFITS  
PAGE B14-3

SPECIFICATION/HTO  
PAGE B14-6

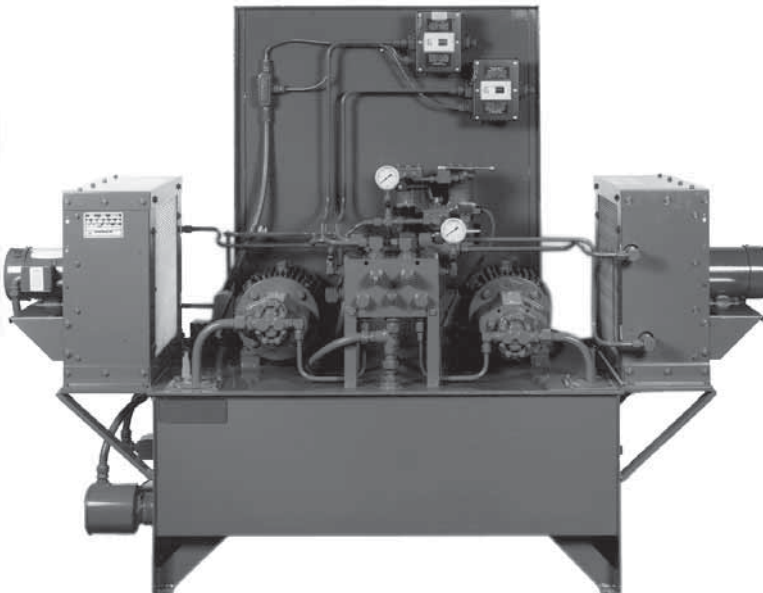
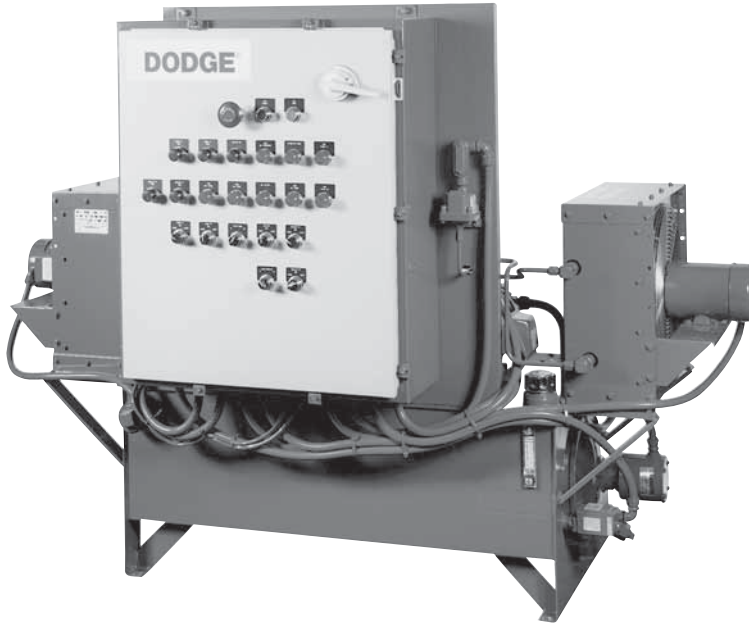
NOMENCLATURE  
PAGE B14-7

SELECTION/DIMENSIONS  
PAGE B14-16

# MODIFICATIONS/ACCESSORIES



## SLEEVOIL CIRCULATING OIL SYSTEMS



IMPERIAL - ISAF

UNIFIED SAF

International Bearings

Sleeve Bearing

SLEEVOIL

FEATURES/BENEFITS PAGE B14-3	SPECIFICATION/HTO PAGE B14-6	NOMENCLATURE PAGE B14-7	SELECTION/DIMENSIONS PAGE B14-16
---------------------------------	---------------------------------	----------------------------	-------------------------------------



# MODIFICATIONS/ACCESSORIES **DODGE**

## SLEEVOIL CIRCULATING OIL SYSTEMS

### Continuous Operation

- 10 to 150 Gallon Reservoirs
- Dual pumps
- Automatic switch over to stand-by pump
- Suction filters at inlet to protect pumps
- Water and Duplex and air coolers
- Inline filter
- Pump, cooler and filter can be switched without interruption
- Differential pressure measurement across filters

### Complete Electrical Panel

- Push Buttons, Pilot lights for normal operation and alarm conditions
- Automatic and manual operation modes
- All electrical starters for motors and heaters
- Control circuit transformer
- All logic required for stand-by pump operation switchover
- Contacts for remote signal transmission
- All necessary motor fuses and overload protectors

### Startup Protection

- Reservoir Heater ensures proper oil temperature
- Permissive start switch

### Accurate Bearing Supply

- Individual bearing flow adjustment valves
- DODGE engineered to match bearing needs
- Pressure and temperature gauges

### Easy Monitoring

- High temperature alarm
- Oil level alarm
- Low pressure alarm
- Reservoir sight gauge

The DODGE Circulating Oil System is custom engineered to support SLEEVOIL bearings

# MODIFICATIONS/ACCESSORIES



## SLEEVOIL OIL LEVEL AND FILTRATION SYSTEM (ONE UNIT PER BEARING)



Replacement Oil  
Filter Part Number 063500

Patent Number 5733048

OIL LEVEL AND FILTRATION SYSTEM (OLF SYSTEM) 60 HZ PART NUMBER IS 063575  
50 HZ OLF SYSTEM PART NUMBER IS 058219

### OIL LEVEL AND FILTRATION SYSTEM FITS ALL DODGE SLEEVOIL BEARINGS Oil Inlet Connections On SLEEVOIL Bearings Are:

<b>R SERIES BORE SIZES</b> 1-7/16" - 3-7/16" <b>ARE MACHINE READY FOR OIL LEVEL, AND LEVEL AND FILTRATION SYSTEM</b>	
<b>R SERIES BORE SIZES</b>	<b>NEED CIRCULATING OIL GROMMET KIT PART NUMBER</b>
3-15/16"	432153
4-7/16"-4-15/16"	430198
5-7/16"-12"	430155
<b>RTL SERIES BORE SIZES</b>	<b>NEED CIRCULATING OIL GROMMET KIT PART NUMBER</b>
3-7/16" - 5-7/16"	132203
6" - 12"	132205

P Series Is Machined Ready For Oil Level And Level And Filtration System

FEATURES/BENEFITS PAGE B14-3	SPECIFICATION/HTO PAGE B14-6	NOMENCLATURE PAGE B14-7	SELECTION/DIMENSIONS PAGE B14-16
---------------------------------	---------------------------------	----------------------------	-------------------------------------

# NOTES

---



IMPERIAL - ISAF

UNIFIED SAF

International Bearings

Sleeve Bearing

SLEEVOIL

# CONTENTS



## Take-Up Frames and Base Plates

Features / Benefits . . . . .	B15-2
How To Order . . . . .	B15-6
Nomenclature . . . . .	B15-7
Selection/Dimensions	
Narrow Slot . . . . .	B15-8
Wide Slot . . . . .	B15-11
ULTRA KLEEN Stainless Steel . . . . .	B15-12
Top Angle. . . . .	B15-15
TPHU . . . . .	B15-19
Center Pull. . . . .	B15-21
LD Protected Screw . . . . .	B15-25
HD Protected Screw . . . . .	B15-31
BRONZOIL® . . . . .	B15-39
Adjustable Base Plates . . . . .	B15-42
Part Number Index . . . . .	INDEX-1
Key Word Index . . . . .	INDEX-34

Take-Up Frames

Engineering

Index

# FEATURES/BENEFITS



## Take-Up Frames

The flexibility of the ten basic take-up frames allow for the mounting of DODGE Ball, Roller, and Sleeve Bearings to encompass the vast range of conveyor, belt, and chain take-up applications.

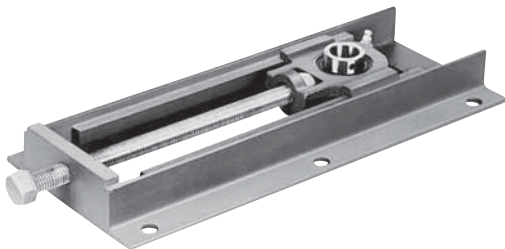
### Narrow Slot Take-Up Frame - NS



Five sizes of Narrow Slot Ball Bearing Take-Up Frames-Eleven (11) take-up frames with travels of 6 to 18 inches for:

- GT & GTM Narrow Slot Take-Up Bearings from 3/4" through 2-7/16" shaft size and metric 20mm to 60mm.
- SC, VSC & SCM Ball Bearing Take-Up Bearing from 1/2" through 2-7/16" shaft size, and metric 20 mm to 60 mm.
- SXV and SXR Ball Bearing Take-Up Bearing from 3/4" through 2-7/16" shaft size.
- DL Ball Bearing Take-Up Bearing from 3/4" through 1-7/16" shaft size.
- LT700 and LT1000 SOLIDLUBE Take-Up Bearing from 3/4" through 2-1/2" shaft size.

### Wide Slot Take-Up Frame - WS



Six sizes of Wide Slot Ball Bearing Take-Up Frames-Thirty (30) take-up frames with travels of 1-1/2 to 30 inches for:

- GT & GTM Wide Slot Ball Bearings from 3/4" through 3" shaft size and metric 20mm to 75mm.
- SC, VSC and SCM Wide Slot Take-Up Bearings from 1/2" through 3" shaft size, and metric 20 mm to 75 mm.
- SXV and SXR Wide Slot Take-Up Bearings from 3/4" through 2-7/16" shaft size.
- DL Ball Bearing Take-Up Bearing from 1-7/16" through 1-15/16" shaft size.
- LT700 and LT1000 SOLIDLUBE Wide Slot Take-Up Bearing from 3/4" through 3" shaft size.

### Top Angle Take-Up Frame - TP



Six sizes of Top Angle Take-Up Frames-Thirty-Six (36) Take-Up frames with travels of 12 to 48 inches for:

- GLT-700 & GLT-1000 Series (SOLIDLUBE Sleeve) Take-Up bearings from 1-15/16" through 3" shaft size.
- Type H (Babbitted Sleeve) Take-Up bearings from 1-15/16" through 3-15/16" shaft size.
- Type G (SC Ball Bearing) Take-Up bearings from 1-15/16" through 2-15/16" shaft size.
- Type GXR (SXR Ball Bearing) Take-Up bearings from 1-15/16" through 2-7/16" shaft size.
- Type GM (SCM Ball Bearing) Take-Up bearings from 1-11/16" through 3-1/2" shaft size.
- Type E (Tapered Roller) Take-Up bearings from 1-3/4" through 4" shaft size.
- Type K (Tapered Roller) Take-Up bearings from 1-3/4" through 3-15/16" shaft size.
- TP S2000 (Spherical Roller) Take-Up bearings from 1-7/8" through 5" shaft size.

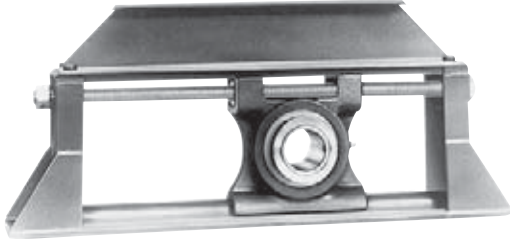


# FEATURES/BENEFITS



## Take-Up Frames

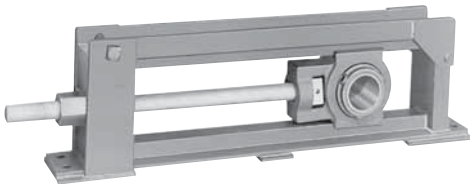
### TPHU Take-Up Frame



Six sizes of TPHU Take-Up Frames-Twenty-Four (24) Take-Up frames with travels of 12 to 36 inches for:

- TPHU S-2000 (Spherical Roller) Take-Up Bearings from 1-7/8" through 4" shaft size.

### Center Pull Take-Up Frame - CP



Nine sizes of Center Pull Wide Slot Take-Up Frames-Forty-five (45) take-up frames with travels of 12 to 36 inches for:

- Type E tapered wide slot bearing from 1-3/8" to 3" bore size.
- Type K tapered wide slot bearing from 1-3/8" to 3" bore size.
- S-2000 spherical wide slot bearing from 1-1/8" to 5" bore size.
- Imperial spherical wide slot bearing from 1-7/16" to 4" bore size.
- U.S. Patent No. 4,676,670

### BRONZOIL Take-Up Frame - BOTU



One size of BRONZOIL® Sleeve Bearing Take-Up-The BRONZOIL Take-Up is recommended for light-to-medium loads and for use at moderate speeds; such as package conveyors, light material handling installations, or other similar applications.

There are 6 take-ups from 1/2" through 1" shaft size with 4 inch travel.

# FEATURES/BENEFITS



## Take-Up Frames

### Light Duty Take-Up Frame - LD



Six sizes of LD Protected Screw Take-Up Frames - Forty-Six (46) take-up frames with 6 to 48 inch travel for:

- SC/SCB (Ball Bearing) pillow blocks from 1/2" through 2-15/16" bore size.
- SXR/SXRB & SXV/SXVB (Ball Bearing) pillow blocks from 1/2" through 2-7/16" bore size
- DL/DLB (Ball Bearing) pillow blocks from 3/4" through 2-15/16" bore size.
- SCM (Ball Bearing) pillow blocks from 1-7/16" through 3-1/2" bore size.
- DLM (Ball Bearing) pillow blocks from 1" through 3-7/16" bore size
- Babbitted (Sleeve) Solid Journal bearing from 1/2" through 2-15/16" bore size.
- SOLIDLUBE (Sleeve) LT700 and LT1000 Series pillow blocks from 3/4" through 3" bore size.
- SOLIDLUBE (Sleeve) LTB700 and LTB1000 Series pillow blocks from 3/4" through 2-1/2" bore size.
- UNISPHERE (Spherical Roller) two (2) bolt base pillow block from 1-7/16" through 3-1/2" bore sizes.
- Imperial (Spherical Roller) two (2) bolt base pillow block from 1-7/16" through 3-15/16" bore size.
- SCH, SCH-E SXRH, SXRH-E, DLH, DLH-E SCMH SCMH-E, DLMH, DLMH-E.
- GT/GTB (Ball Bearing) pillow blocks from 1/2" through 2-15/16" bore size
- GTM (Ball Bearing) pillow blocks from 1" through 3-7/16" bore size



## Take-Up Frames

### Light Duty Take-Up Frame - LD



### Base Plates



Eight sizes of HD Protected Screw Take-Up Frames-Forty-One (41) take-up frames with travels from 12 to 60 inches for:

- Angle Babbitted (Sleeve) pillow blocks from 1-15/16" through 5-15/16", bore size.
- Angle Bronze Bushed (Sleeve) pillow blocks from 1-15/16" through 5-15/16", bore size.
- Type E (Taper Roller) pillow blocks from 1-1/2" through 6" bore size.
- Type K (Taper Roller) pillow blocks from 1-1/2" through 3-15/16" bore size.
- K/DI (Taper Roller) pillow blocks from 1-1/2" through 5" bore size.
- Type C (Taper Roller) pillow blocks from 1-11/16" through 5" bore size.
- Special Duty (Taper Roller) pillow blocks from 2-11/16" through 6" bore size.
- SOLIDLUBE (Sleeve) MM700 and MM1000 Series pillow blocks from 3-7/16" through 5" bore size.
- SAF-XT, TAF, ISAF, etc. (Spherical and Tapered Roller) pillow blocks from 1-15/16" through 5-1/2" bore size and larger.
- USAF, SAFS spherical pillow blocks, 2-bolt and 4-bolt from 2-7/16" through 5-1/2" bore size.
- S2000 spherical pillow blocks, 2-bolt and 4-bolt from 1-7/8" through 5" bore size.
- UNISPHERE (Spherical Roller) pillow block 2-bolt base from 1-15/16" through 4" bore sizes.
- Imperial (Spherical roller) pillow block 2-bolt and 4-bolt from 1-15/16" through 4-15/16" bore size.
- For larger bore bearings use HD600 or HD650, consult DODGE.

Adjustable base plate for adjusting shaft height for Type C, Special Duty, all Steel TAF, SAF-XT, USAF, and SAFS Pillow Blocks.

# HOW TO ORDER



## Take-Up Frames

There are two ways to specify DODGE Take-Up Frames. Most of the product offerings have part numbers with listings shown throughout this catalog. Use of part numbers ensures accurate order processing.

When part numbers are not shown, the product may be specified by description or part name. This method is used when ordering units that include modifications or options. To order by description, use the nomenclature key shown on page B15-7 and add any special instructions to the end of the description for options not covered by the nomenclature.

**NOTE: All Take-Up Frames, except Bronzoil Take-Ups, are without the Take-Up Bearings. Thus, for a complete Take-Up; order a Take-Up Frame and Take-Up Bearing.**

### The HD Protected Screw Take-Up Frames

HD 200 through HD 350 Take-Up frames will accommodate pillow blocks on saddles which are slotted for two-bolt Pillow Blocks and may be ordered by part numbers. When using four-bolt Pillow Blocks; or on HD frames 400 and larger, please supply:

1. Bore size of pillow block
2. Type of block (Type E, Double Interlock, SAF-XT, etc.)
3. Whether pillow block is two-or four-bolt style
4. Frame Travel

### Modifications:

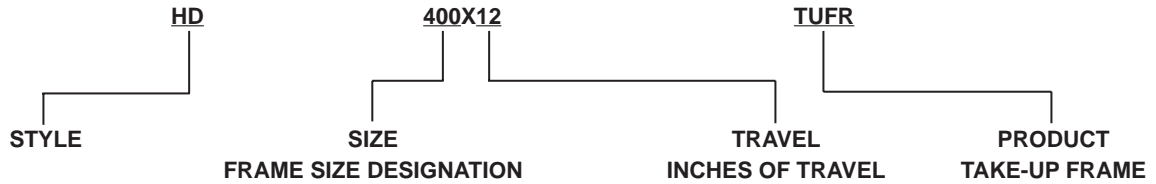
For OEM special Take-Up Frames consult DODGE.

Certain modifications are available such as Stainless Steel Screw And Hydraulically Actuated.

# NOMENCLATURE



## Take-Up Frames and Base Plates



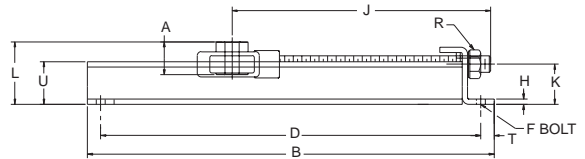
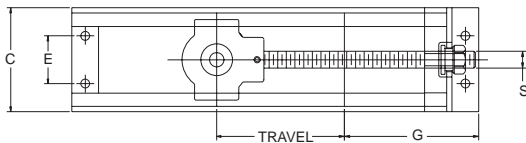
CP	Center Pull Wide Slot Take-Up Frame
WS	Wide Slot Ball Bearing Take-Up Frame
NS	Narrow Slot Ball Bearing Take-Up Frame
LD	Light Duty Protected Screw Take-Up Frame
TU	Take-Up
HD	Heavy Duty Protected Screw Take-Up Frame
TP	Top Angle Take-Up Frame
TPHU	Top Angle Heavy Duty Universal Take-Up Frame
TUA	Type A Babbitted Take-Up Bearing
TUB	Type B Babbitted Take-Up Bearing
BOTU	BRONZOIL Take-Up
FR	Frame
SSS	Stainless Steel Screw
ABP	Adjustable Base Plates

TU = Take-Up When Used As An Abbreviation Through This Section

# SELECTION/DIMENSIONS



## Take-Up Frames -NS NARROW SLOT BALL BEARING TAKE-UP FRAMES



Frame Description	Part No.	Wt. (Lbs.)	A	B	C	D	E	F Base Bolt		G
								No.	Dia.	
NS-210x6-TUFR	<b>038109</b>	5.5	See page B15-10 for list of reference pages for Take-Up Bearings	13-5/8	3-13/16	12-1/8	1-5/8	4	1/2	4-7/8
NS-308x6-TUFR	<b>038110</b>	5.8		13-5/8	4-11/16	12-1/8	2-1/4	4	1/2	5-3/8
NS-308x12-TUFR	<b>038111</b>	8.0		19-5/8	18-1/8	19-1/16	2-1/2	4	1/2	6
NS-400x6-TUFR	<b>038112</b>	9.2		14-9/16	13-1/16	17-1/8	2-1/2	4	1/2	6
NS-400x9-TUFR	<b>038113</b>	11.3		18-5/8	6-1/16	19-1/16	2-1/2	4	1/2	6
NS-400x12-TUFR	<b>038114</b>	12.5		20-9/16	27-5/8	26-1/8	2-3/4	4	5/8	7-1/8
NS-400x18-TUFR	<b>038115</b>	16.3		27-5/8	28-1/8	26-3/8	2-3/4	4	5/8	7-1/8
NS-407x9-TUFR	<b>038116</b>	13.1		19-1/8	6-1/2	17-3/8	2-3/4	4	5/8	7-1/8
NS-407x18-TUFR	<b>038117</b>	18.6		28-1/8	7	17-3/8	3	4	5/8	7-3/8
NS-415x9-TUFR	<b>038118</b>	15.5		19-1/8	28-1/8	26-3/8	3	4	5/8	7-3/8
NS-415x18-TUFR	<b>038119</b>	19.0	28-1/8							

Frame Description	H	J	K	L	R Hex	S	T	U	Channel	
NS-210x6-TUFR	1/4	11-1/32	1-13/32	See Table on Page B15-9 for "L" Dim.	1-5/16	3/4-10	3/4	1-1/2	1-1/2 x 9/16 x 3/16	
NS-308x6-TUFR	1/4	10-13/16	1-13/32		1-5/16	3/4-10	3/4	1-1/2	1-1/2 x 9/16 x 3/16	
NS-308x12-TUFR		16-13/16								
NS-400x6-TUFR	1/4	11-1/16	1-7/8		1-1/2	7/8-9	3/4	2	2 x 1 x 3/16	
NS-400x9-TUFR		14-1/16								
NS-400x12-TUFR		17-1/16								
NS-400x18-TUFR		23-1/16								
NS-407x9-TUFR	5/16	15-19/32	1-7/8		1-5/8	1-8	1	2	2 x 1 x 3/16	
NS-407x18-TUFR		24-19/32								
NS-415x9-TUFR	5/16	15-27/32	1-7/8		1-5/8	1-8	1	2	2 x 1 x 3/16	
NS-415x18-TUFR		24-27/32								

FEATURES/BENEFITS  
PAGE B15-2

HOW TO ORDER  
PAGE B15-6

NOMENCLATURE  
PAGE B15-7

# SELECTION/DIMENSIONS



## Take-Up Frames - Narrow Slot Frame L DIMENSION

Series	Shaft Size	Take Up Frame No. Ref.	L					
			SC	VSC	SXR	SXV	DL	GT
204	1/2 5/8 3/4	NS-210	2-9/64	2-9/64	2-35/64	2-11/32	2-3/16	2-25/64
205	7/8 15/16 1	NS-210	2-3/16	2-11/64	2-37/64	2-21/64	2-9/32	2-23/64
206	1-1/16 1-1/8 1-3/16 1-1/4	NS-308	2-11/32	2-5/16	2-21/32	2-15/32	2-7/8	2-31/64
207	1-1/4 1-5/16 1-3/8 1-7/16	NS-308	2-15/32	2-7/16	2-3/4	2-9/16	2-15/32	2-15/32
208	1-1/2 1-5/8	NS-400	3-1/64	2-31/32	3-11/32	3-5/32	3-1/8	3-1/16
209	1-5/8 1-11/16 1-3/4	NS-400	3-3/64	3	3-11/32	3-5/32	3-1/8	3-1/16
210	1-15/16 2	NS-400	3-5/64	3-1/32	3-15/32	3-5/32	3-7/32	3-5/64
211	2 2-3/16 2-1/4	NS-407	3-9/64	3-31/32	3-45/64	3-5/16	3-1/4	3-3/32
212	2-1/4 2-7/16	NS-415	3-15/64	n/a	3-29/32	n/a	3-1/2	3-7/32

Series	Shaft Size	Take Up Frame No. Ref.	L		
			SCM	DLM	GTM
206	1	NS-308	2-11/32	2-13/32	2-31/64
207	1-3/16 1-1/4	NS-308	2-31/64	2-15/32	2-15/32
208	1-7/16	NS-400	2-31/32	3-1/8	3-1/16
209	1-1/2 1-5/8	NS-400	3	3-1/8	3-1/16
210	1-11/16 1-3/4	NS-400	3-1/32	3-7/32	3-5/64
211	1-15/16 2	NS-407	3-7/64	3-1/4	3-3/32
212	2-3/16 2-1/4	NS-415	3-3/16	3-1/2	3-7/32

FEATURES/BENEFITS PAGE B15-2	HOW TO ORDER PAGE B15-6	NOMENCLATURE PAGE B15-7	
---------------------------------	----------------------------	----------------------------	--

# SELECTION/DIMENSIONS



## Narrow Slot (NS) Take-Up Frame Bearings

**NORMAL DUTY**  
**SETSCREW - SC, VSC**  
**D-LOK - DL**  
**ECCENTRIC LOCK - SXR, SXV**  
**GRIP TIGHT - GT**

**MEDIUM DUTY**  
**SETSCREW - SCM**  
**D-LOK - DLM**  
**GRIP TIGHT - GTM**

Series	Shaft Size	Frame Size
204	1/2	NS-210
	5/8	
	3/4	
	20mm	
205	7/8	NS-210
	15/16	
	1	
	25mm	
206	1-1/16	NS-308
	1-1/8	
	1-3/16	
	1-1/4	
207	30mm	NS-308
	1-1/4	
	1-5/16	
	1-3/8	
208	1-7/16	NS-400
	35mm	
	1-1/2	
	1-5/8	
209	40mm	NS-400
	1-5/8	
	1-11/16	
	1-3/4	
210	45mm	NS-400
	1-15/16	
	2	
	50mm	
211	2	NS-407
	2-3/16	
	2-1/4	
	55mm	
212	2-1/4	NS-415
	2-7/16	
	60mm	

- Narrow Slot Take-Up Frames Are Not Supplied With Bearings. First Match The Take-Up Frame With The Bearing Size From This Page. Then Turn To The Page Listed For The Specific Bearing Part Number.
- Grip Tight (GT and GTM) - B2-68 to B2-73
- Setscrew (SC, SCM & VSC) - B3-90 to B3-97
- Eccentric Lock (SXR and SXV) -B4-60 to B4-69
- D-LOK (DL and DLM) - B5-44 to B5-47
- Solid Lube (LT and LT1000) - B13-24
- See B15-8 For Narrow Slot Take-Up Frame Travel Options And Part Numbers

Series	Shaft Size	Frame Size
206	1	NS308
	25mm	
207	1-3/16	NS-308
	1-1/4	
208	30mm	NS-400
	1-7/16	
209	35mm	NS-400
	1-1/2	
210	40mm	NS-400
	1-11/16	
	1-3/4	
211	45mm	NS-407
	1-15/16	
212	2	NS-415
	50mm	
	2-3/16	
	2-1/4	
	55mm	

FEATURES/BENEFITS  
PAGE B15-2

HOW TO ORDER  
PAGE B15-6

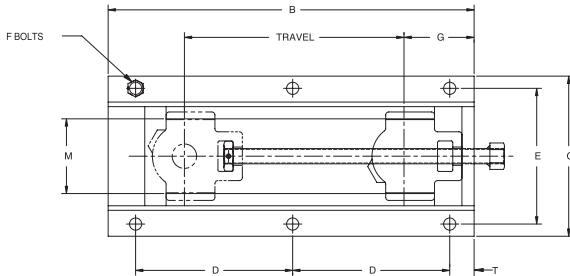
NOMENCLATURE  
PAGE B15-7



# SELECTION/DIMENSIONS



## Take-Up Frames - WS WIDE SLOT BALL BEARING TAKE-UP FRAMES



Frame Description	Part No.	Wt.	A	B	C	D	E	F		G	H	J	K	M	S Screw Dia.	T
								No.	Dia.							
WS-300X1-1/2-TUFR	038200	4.8	See chart on page B15-13 for list of	7-1/2	6-9/16	5-3/8	5-9/16	4	7/16	2-15/16	3/16	1-3/4	1-1/16	3-1/16	5/8	1
WS-300X3-TUFR	038201	5.5		9		6-7/8		4								
WS-300X6-TUFR	038202	7		12		4-15/16		6								
WS-300X9-TUFR	038203	8.5		15		6-7/16		6								
WS-300X12-TUFR	038204	10		18		7-15/16		6								
WS-308X3-TUFR	038205	7.5	reference pages for Take-Up Bearings	9-1/8	7-1/16	6-7/16	6-1/16	4	7/16	3-11/16	3/16	2	1-1/4	3-9/16	3/4	1
WS-308X6-TUFR	038206	9		12-1/8		9-7/16		4								
WS-308X9-TUFR	038207	10.5		15-1/8		6-7/32		6								
WS-308X12-TUFR	038208	12		18-1/8		7-23/32		6								
WS-308X18-TUFR	038209	15		24-1/8		10-23/32		6								
WS-400X3-TUFR	038210	11.5	See Table on Page B15-12 for "L" Dim.	10-3/4	8-13/16	8-1/2	7-5/16	4	1/2	4-5/16	3/16	2-1/4	1-7/16	4-1/16	1	1-1/8
WS-400X6-TUFR	038211	14		13-3/4		11-1/2		4								
WS-400X9-TUFR	038212	16.5		16-3/4		7-1/4		6								
WS-400X12-TUFR	038213	19		19-3/4		8-3/4		6								
WS-400X18-TUFR	038214	24		25-3/4		11-3/4		6								
WS-502X6-TUFR	038215	20	See Table on Page B15-12 for "L" Dim.	14-3/4	10-7/16	12-1/2	8-5/8	4	9/16	5-11/16	3/16	2-1/2	1-1/2	5-3/16	1-1/4	1-1/8
WS-502X9-TUFR	038216	23.5		17-3/4		15-1/2		4								
WS-502X12-TUFR	038217	27		20-3/4		9-1/4		6								
WS-502X15-TUFR	038218	30.5		23-3/4		10-3/4		6								
WS-502X18-TUFR	038219	34		26-3/4		12-1/4		6								
WS-502X24-TUFR	038220	41	32-3/4	15-1/4	6											
WS-515X9-TUFR	038221	36	See Table on Page B15-12 for "L" Dim.	20-7/8	12	17-1/2	10-1/4	4	5/8	6-1/2	1/4	3	2	6	1-1/2	2-1/2
WS-515X12-TUFR	038222	41		23-7/8		10-1/4		6								
WS-515X18-TUFR	038223	51		29-7/8		13-1/4		6								
WS-515X24-TUFR	038224	61		35-7/8		16-1/4		6								
WS-515X30-TUFR	038225	71		41-7/8		19-1/4		6								
WS-608X12-TUFR	038226	41	See Table on Page B15-12 for "L" Dim.	23-7/8	12-9/16	10-1/4	10-13/16	6	5/8	6-1/2	1/4	3	2	6-9/16	1-1/2	2-1/2
WS-608X18-TUFR	038227	51		29-7/8		13-1/4		6								
WS-608X24-TUFR	038228	61		35-7/8		16-1/4		6								
WS-608X30-TUFR	038229	71		41-7/8		19-1/4		6								

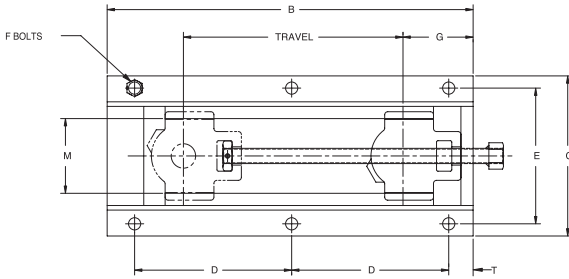
FEATURES/BENEFITS PAGE B15-2	HOW TO ORDER PAGE B15-6	NOMENCLATURE PAGE B15-7	
---------------------------------	----------------------------	----------------------------	--

# SELECTION/DIMENSIONS



## Take-Up Frames - WS

### ULTRA KLEEN (Stainless Steel) WIDE SLOT BALL BEARING TAKE-UP FRAME



Frame Description	Part No.	Wt.	A	B	C	D	E	F		G	H	J	K	M	S Screw Dia.	T
								No.	Dia.							
WSEZ-300X3-TUFR-SSS	<b>038070</b>	6		9		6-7/8		4								
WSEZ-300X6-TUFR-SSS	<b>038071</b>	7.9	See page B1-74 to B1-79 for E-Z KLEEN Wide Slot Take-Up Bearings	12	6-9/16	4-15/16	5-9/16	6	1/2	2-15/16	3/16	1-3/4	1-1/16	3-1/16	5/8	1
WSEZ-300X9-TUFR-SSS	<b>038072</b>	9.8		15		6-7/16		6								
WSEZ-300X12-TUFR-SSS	<b>038073</b>	11.7		18	7-15/16	6										
WSEZ-308X3-TUFR-SSS	<b>038074</b>	7.3		9-1/8	6-7/16	4										
WSEZ-308X6-TUFR-SSS	<b>038075</b>	9.4	12-1/8	9-7/16	4											
WSEZ-308X9-TUFR-SSS	<b>038076</b>	11.4	15-1/8	7-1/16	6-7/32	6-1/16	6	1/2	3-11/16	3/16	2	1-1/4	3-9/16	3/4	1	
WSEZ-308X12-TUFR-SSS	<b>038077</b>	13.4	18-1/8	7-23/32	6											
WSEZ-308X18-TUFR-SSS	<b>038078</b>	17.4	24-1/8	10-23/32	6											

See table on page B15-13 for "L" dimension.

FEATURES/BENEFITS PAGE B15-2	HOW TO ORDER PAGE B15-6	NOMENCLATURE PAGE B15-7	
---------------------------------	----------------------------	----------------------------	--

# SELECTION/DIMENSIONS



## Take-Up Frames - Wide Slot Frame L DIMENSION

Series	Shaft Size	Take Up Frame No. Ref.	L				
			VSC SC	SXR	SXV	DL	GT
204	1/2 5/8 3/4	WS-300	1-51/64	2-1/8	1-63/64	1-27/32	2-3/64
205	7/8 15/16 1	WS-300	1-53/64	2-9/64	1-63/64	1-15/16	2-1/64
206	1-1/16 1-1/8 1-3/16 1-1/4	WS-308	2-5/32	2-7/16	2-19/64	2-1/4	2-21/64
207	1-1/4 1-5/16 1-3/8 1-7/16	WS-308	2-9/32	2-35/64	2-13/32	2-5/16	2-5/16
208	1-1/2 1-5/8	WS-400	2-17/32	2-13/64	2-17/32	2-11/16	2-5/8
209	1-5/8 1-11/16 1-3/4	WS-400	2-9/16	2-13/16	2-23/32	2-11/16	2-5/8
210	1-15/16 2	WS-400	2-19/32	2-13/16	2-23/32	2-25/32	2-41/64
211	2 2-3/16 2-1/4	WS-502	2-23/32	3-47/64	2-15/16	2-7/8	2-23/32
212	2-1/4 2-7/16	WS-502	2-13/16	3-11/32	n/a	3-1/8	2-27/32
215	2-15/16	WS-515	3-15/32	3-21/32	n/a	3-1/2	3-43/64

Series	Shaft Size	Take Up Frame No. Ref.	L		
			SCM	DLM	GTM
206	1	WS-308	2-5/32	2-1/4	2-21/64
207	1-3/16 1-1/4	WS-308	2-9/32	2-5/16	2-5/16
208	1-7/16	WS-400	2-17/32	2-11/16	2-5/8
209	1-1/2	WS-400	2-9/16	2-11/16	2-5/8
210	1-11/16 1-3/4	WS-400	2-19/32	2-25/32	2-41/64
211	1-15/16 2	WS-502	2-23/32	2-7/8	2-23/32
212	2-3/16 2-1/4	WS-502	2-13/16	3-1/8	2-27/32
214	2-7/16 2-1/2	WS-515	3-7/16	3-3/4	3-33/64
215	2-11/16	WS-515	3-15/32	3-1/2	3-43/64
216	2-15/16 3	WS-608	3-1/2	3-41/64	3-55/64

FEATURES/BENEFITS PAGE B15-2	HOW TO ORDER PAGE B15-6	NOMENCLATURE PAGE B15-7	
---------------------------------	----------------------------	----------------------------	--

# SELECTION/DIMENSIONS



## Wide Slot (WS) Take-Up Frame Bearings

**NORMAL DUTY**  
**SETSCREW - SC, VSC**  
**D-LOK - DL**  
**ECCENTRIC LOCK - SXR, SXV**  
**GRIP TIGHT - GT**

Series	Shaft Size	Frame Size
204	1/2	WS-300
	5/8	
	3/4	
	20mm	
205	7/8	WS-300
	15/16	
	1 25mm	
206	1-1/16	WS-308
	1-1/8	
	1-3/16	
	1-1/4 30mm	
207	1-1/4	WS-308
	1-5/16	
	1-3/8	
	1-7/16 35mm	
208	1-1/2	WS-400
	1-5/8 40mm	
209	1-5/8	WS-400
	1-11/16	
	1-3/4 45mm	
210	1-15/16	WS-400
	2 50mm	
211	2	WS-502
	2-3/16	
	2-1/4 55mm	
212	2-1/4	WS-502
	2-7/16 60mm	
214	2-1/2	WS-515
	2-11/16 70mm	
215	2-15/16	WS-515
	75mm	

- Wide Slot Take-Up Frames Are Not Supplied With Bearings. First Match The Take-Up Frame With The Bearing Size From This Page. Then Turn To The Page Listed For The Specific Bearing Part Number.
- EZ-KLEEN Polymer Housing - B1-74
- Grip Tight (GT & GTM) - B2-74 to B2-81
- Setscrew (SC, SCM & VSC) - B3-98 to B3-109
- Eccentric Lock (SXR and SXV) - B4-64 to B4-77
- D-LOK (DL and DLM) - B5-48 to B5-51
- Solid Lube (LT and LT1000) - B14-26
- See B15-11 For Wide Slot Take-Up Frame Travel Options And Part Numbers

**MEDIUM DUTY**  
**SETSCREW - SCM, VSC**  
**D-LOK - DLM**  
**GRIP TIGHT - GTM**

Series	Shaft Size	Frame Size
206	1	WS-308
	25mm	
207	1-3/16	WS-308
	1-1/4 30mm	
208	1-7/16	WS-400
	35mm	
209	1-1/2	WS-400
	40mm	
210	1-11/16	WS-400
	1-3/4	
	45mm	
211	1-15/16	WS-502
	2 50mm	
212	2-3/16	WS-502
	2-1/4 55mm	
214	2-7/16	WS-515
	2-1/2	
215	2-11/16	WS-515
	70mm	
216	2-15/16	WS-608
	3	
	75mm	

FEATURES/BENEFITS  
PAGE B15-2

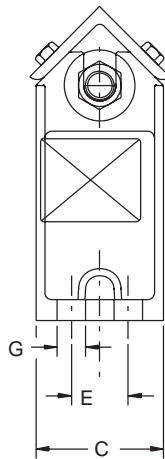
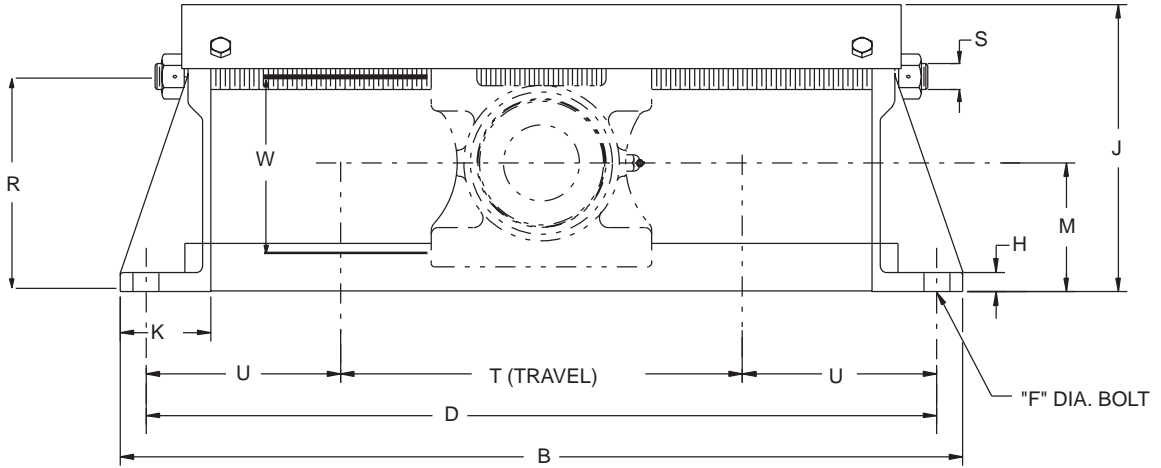
HOW TO ORDER  
PAGE B15-6

NOMENCLATURE  
PAGE B15-7

# SELECTION/DIMENSIONS



## Take-Up Frames - TP TOP ANGLE PROTECTED SCREW TAKE-UP FRAMES



Take-Up Frames

Engineering

Index

<p>FEATURES/BENEFITS PAGE B15-2</p>	<p>HOW TO ORDER PAGE B15-6</p>	<p>NOMENCLATURE PAGE B15-7</p>	
---	------------------------------------	------------------------------------	--

# SELECTION/DIMENSIONS



## Take-Up Frames - TP

### TOP ANGLE PROTECTED SCREW TAKE-UP FRAMES

Frame Size	Nominal Travel	Part No.	Wt.	B	C	D	E	F Bolt Dia.	G	H
TP10	12	036350	32	28-1/2		26-1/2				
	18	036351	36	34-1/2	3-1/2	32-1/2	-	5/8	1	3/4
	24	036352	41	40-1/2		38-1/2				
TP20	12	036353	34	29-1/2		27-1/2				
	18	036354	39	35-1/2	3-1/2	33-1/2	-	5/8	1	3/4
	24	036355	43	41-1/2		39-1/2				
TP30	12	036356	47	30-1/2		28-1/2				
	18	036357	54	36-1/2	4	34-1/2	-	3/4	1-5/16	3/4
	24	036358	60	42-1/2		40-1/2				
TP40	12	036359	52	32-1/2		30-1/2				
	18	036360	60	38-1/2	4-1/2	36-1/2	2	5/8	1	3/4
	24	036361	66	44-1/2		42-1/2				
TP50	12	036362	63	34-1/2		32				
	18	036363	70	40-1/2	4-1/2	32	2	3/4	1	3/4
	24	036364	79	46-1/2		44				
TP60	12	036365	84	38-1/2		36				
	18	036366	92	44-1/2	5-1/2	42	2-1/2	3/4	1	3/4
	24	036367	102	50-1/2		48				

Frame Size	Nominal Travel	Part No.	J	K	M	R	S Screw Dia.	T	U	W
TP10	12	036350		3				14-1/2		
	18	036351	8-1/2	3	3-15/16	6-11/32	3/4	20-1/2	6	5-5/32
	24	036352		3				26-1/2		
TP20	12	036353		3				15		
	18	036354	9-1/8	3	4-3/16	6-31/32	3/4	21	6-1/4	5-25/32
	24	036355		3				27		
TP30	12	036356		3-1/2				14-1/2		
	18	036357	10-1/8	3-1/2	4-3/8	7-3/8	1	20-1/2	7	6-3/16
	24	036358		3-1/2				26-1/2		
TP40	12	036359		3-1/2				15-1/2		
	18	036360	11-1/16	3-1/2	4-15/16	8-3/8	1	21-1/2	7-1/2	7-3/16
	24	036361		3-1/2				27-1/2		
TP50	12	036362		4				15		
	18	036363	12-1/2	4	5-7/16	9-13/32	1-1/4	21	8-1/2	8-7/32
	24	036364		4				27		
TP60	12	036365		4-1/2				16-1/2		
	18	036366	14-1/4	4-1/2	7	11-11/32	1-1/4	22-1/2	9-5/8	8-29/32
	24	036367		4-1/2				28-1/2		

FEATURES/BENEFITS PAGE B15-2	HOW TO ORDER PAGE B15-6	NOMENCLATURE PAGE B15-7	
---------------------------------	----------------------------	----------------------------	--



## Top Angle (TP) Take-Up Frame Bearings

### BALL BEARINGS

**NORMAL DUTY**  
**SETSCREW - SC, VSC**  
**D-LOK - DL**  
**ECCENTRIC LOCK - SXR, SXV**  
**GRIP TIGHT-GT**

Series	Shaft Size	Frame Size
210	1-15/16 2	TP-10
211	2-3/16 2-1/4	TP-20
212	2-7/16	TP-30
215	2-15/16	TP-40

- Top Angle Take-Up Frames Are Not Supplied With Bearings. First Match The Take-Up Frame With The Bearing Size From This Page. Then Turn To The Page Listed For The Specific Bearing Part Number.
- Grip Tight (GT & GTM) - B2-82 to B2-85
- Setscrew (SC, SCM & VSC) - B3-110 to B3-113
- Eccentric Lock (SXR and SXV) - B4-68 to B4-69
- D-LOK (DL and DLM) - B5-52 to B5-55
- See B15-15 and B15-16 For Top Angle Take-Up Frame Travel Options And Part Numbers.

**MEDIUM DUTY**  
**SETSCREW - SCM**  
**D-LOK - DLM**  
**GRIP TIGHT - GTM**

Series	Shaft Size	Frame Size
210	1-11/16 1-3/4	TP-10
211	1-15/16 2	TP-20
212	2-3/16 2-1/4	TP-30
214	2-7/16 2-1/2	TP-40
215	2-11/16	TP-40
216	2-15/16 3	TP-50
218	3-7/16 3-1/2	TP-60

### TAPERED ROLLER BEARINGS

#### TYPE E

Shaft Size	Frame Size
1-3/4 1-7/8 1-15/16 2	TP-10
2-3/16 2-1/4	TP-20
2-7/16 2-1/2	TP-30
2-11/16 2-3/4 2-15/16 3	TP-40
3-3/16 3-1/4 3-7/16 3-1/2	TP-50
3-15/16 4	TP-60

- Top Angle Take-Up Frames Are Not Supplied With Bearings. First Match The Take-Up Frame With The Bearing Size From This Page. Then Turn To The Page Listed For The Specific Bearing Part Number.
- Type E - B6-32
- Type K - B6-42
- See B15-15 and B15-16 For Top Angle Take-Up Frame Travel Options And Part Numbers.

#### TYPE K

Shaft Size	Frame Size
1-3/4 1-15/16 2	TP-10
2-3/16 2-1/4 2-7/16 2-1/2	TP-20
2-11/16 2-3/4 2-15/16 3	TP-30
2-11/16 2-3/4 2-15/16 3	TP-40
3-3/16 3-7/16 3-1/2	TP-50
3-15/16	TP-60

FEATURES/BENEFITS PAGE B15-2	HOW TO ORDER PAGE B15-6	NOMENCLATURE PAGE B15-7	
---------------------------------	----------------------------	----------------------------	--

# SELECTION/DIMENSIONS



## Top Angle (TP) Take-Up Frame Bearings

### SPHERICAL ROLLER BEARINGS

#### S-2000

Shaft Size	Frame Size
1-15/16 2	TP-10
2-3/16	TP-30
2-7/16	TP-40
2-11/16 2-15/16 3	TP-40
3-7/16	TP-50
3-15/16	TP-60

- Top Angle Take-Up Frames Are Not Supplied With Bearings. First Match The Take-Up Frame With The Bearing Size From This Page. Then Turn To The Page Listed For The Specific Bearing Part Number.
- S-2000- B8-40
- See B15-15 and B15-16 For Top Angle Take-Up Frame Travel Options And Part Numbers.

### SLEEVE BEARINGS

#### SOLID LUBE BEARING

#### LT-700

#### LT-1000

Shaft Size	Frame Size
1-15/16 2	TP-10
2-3/16	TP-20
2-7/16 2-1/2	TP-30
2-15/16 3	TP-40

- Top Angle Take-Up Frames Are Not Supplied With Bearings. First Match The Take-Up Frame With The Bearing Size From This Page. Then Turn To The Page Listed For The Specific Bearing Part Number.
- SOLIDLUBE Sleeve Bearing (LT7 & LT10) - B13-14
- Type H Babbitted Bearing - B13-48
- See B15-15 and B15-16 For Top Angle Take-Up Frame Travel Options And Part Numbers.

### BABBITTED BEARING

#### TYPE H

Shaft Size	Frame Size
1-15/16	TP-10
2-3/16	TP-10
2-7/16	TP-30
2-15/16	TP-30
3-7/16	TP-50
3-15/16	TP-50

FEATURES/BENEFITS  
PAGE B15-2

HOW TO ORDER  
PAGE B15-6

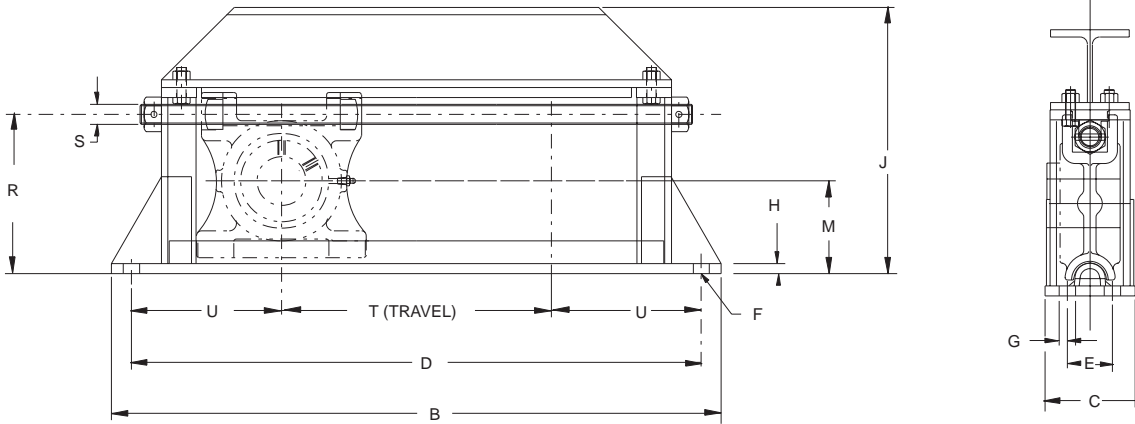
NOMENCLATURE  
PAGE B15-7



# SELECTION/DIMENSIONS



## Take-Up Frames - TPHU



Shaft Size	Frame Size	Nom. Travel	Part No.	Wt.	B	C	D	E	F Bolt Dia	G
1-7/8	TPHU110	12	<b>013497</b>	58	29-1/2	3-1/2	27-1/2	-	5/8	11/16
1-15/16		18	<b>013498</b>	70	35-1/2		33-1/2			
2		24	<b>013499</b>	82	41-1/2		39-1/2			
2-3/16	TPHU120	12	<b>013900</b>	71	29-1/2	4-1/2	27-1/2	-	5/8	11/16
2-1/4		18	<b>013901</b>	85	35-1/2		33-1/2			
		24	<b>013902</b>	99	41-1/2		39-1/2			
2-3/8	TPHU130	12	<b>013903</b>	73	30-1/2	4-1/2	28-1/2	-	3/4	13/16
2-7/16		18	<b>013904</b>	86	36-1/2		34-1/2			
2-1/2		24	<b>013905</b>	99	42-1/2		40-1/2			
2-11/16	TPHU140	12	<b>013906</b>	80	32-1/2	4-1/2	30-1/2	2	5/8	11/16
2-3/4		18	<b>013907</b>	93	38-1/2		36-1/2			
2-15/16		24	<b>013908</b>	106	44-1/2		42-1/2			
3		30	<b>013909</b>	119	50-1/2		48-1/2			
		36	<b>013910</b>	132	56-1/2		54-1/2			
3-3/16	TPHU150	12	<b>013511</b>	91	34-1/4	4-1/2	32	2	3/4	13/16
3-1/4		18	<b>013512</b>	105	40-1/4		38			
3-7/16		24	<b>013513</b>	119	46-1/4		44			
3-1/2		30	<b>013514</b>	133	52-1/4		50			
		36	<b>013515</b>	147	58-1/4		56			
3-11/16	TPHU160	12	<b>013916</b>	132	38-1/2	5-1/2	36	2-1/2	3/4	13/16
3-15/16		18	<b>013917</b>	150	44-1/2		42			
		24	<b>013918</b>	168	50-1/2		48			
4		30	<b>013519</b>	186	56-1/2		54			
		36	<b>013520</b>	204	62-1/2		60			

FEATURES/BENEFITS PAGE B15-2	HOW TO ORDER PAGE B15-6	NOMENCLATURE PAGE B15-7	
---------------------------------	----------------------------	----------------------------	--

# SELECTION/DIMENSIONS



## Take-Up Frames - TPHU

Shaft Size	Frame Size	Nom. Travel	Part No.	H	J	M	R	S Screw Dia.	T Max. Travel	U
1-7/8 1-15/16 2	TPHU110	12	<b>013497</b>	1/2	10-5/8	3-15/16	6-5/16	3/4	13-1/2	7-3/4
		18	<b>013498</b>						19-1/2	
		24	<b>013499</b>						25-1/2	
2-3/16 2-1/4	TPHU120	12	<b>013900</b>	1/2	11-1/4	4-7/16	7-7/16	1	13-1/2	7
		18	<b>013901</b>						19-1/2	
		24	<b>013902</b>						25-1/2	
2-3/8 2-7/16 2-1/2	TPHU130	12	<b>013903</b>	1/2	11-3/4	4-5/8	7-61/64	1	13-1/2	7-1/2
		18	<b>013904</b>						19-1/2	
		24	<b>013905</b>						25-1/2	
2-11/16 2-3/4 2-15/16 3	TPHU140	12	<b>013906</b>	3/4	12-5/16	5-1/8	8-1/2	1	15-1/2	7-1/2
		18	<b>013907</b>						21-1/2	
		24	<b>013908</b>						27-1/2	
		30	<b>013909</b>						33-1/2	
3-3/16 3-1/4 3-7/16 3-1/2	TPHU150	12	<b>013511</b>	3/4	13-27/32	5-5/8	9-23/32	1-1/4	15-1/2	8-1/4
		18	<b>013512</b>						21-1/2	
		24	<b>013513</b>						27-1/2	
		30	<b>013514</b>						33-1/2	
3-11/16 3-15/16 4	TPHU160	12	<b>013916</b>	1	17	7	11-5/8	1-1/4	16-1/2	9-3/4
		18	<b>013917</b>						22-1/2	
		24	<b>013918</b>						28-1/2	
		30	<b>013519</b>						34-1/2	
		36	<b>013520</b>						40-1/2	

## SPHERICAL ROLLER BEARINGS

### S-2000

Shaft Size	Frame Size
1-15/16 2	TPHU-110
2-3/16	TPHU-120
2-7/16	TPHU-130
2-11/16 2-15/16 3	TPHU-140
3-7/16	TPHU-150
3-15/16	TPHU-160

- TPHU Take-Up Frames Are Not Supplied With Bearings. First Match The Take-Up Frame With The Bearing Size From This Page. Then Turn To The Page Listed For The Specific Bearing Part Number.
- S-2000- B8-40
- See B15-19 and B15-20 For TPHU Take-Up Frame Travel Options And Part Numbers.

FEATURES/BENEFITS  
PAGE B15-2

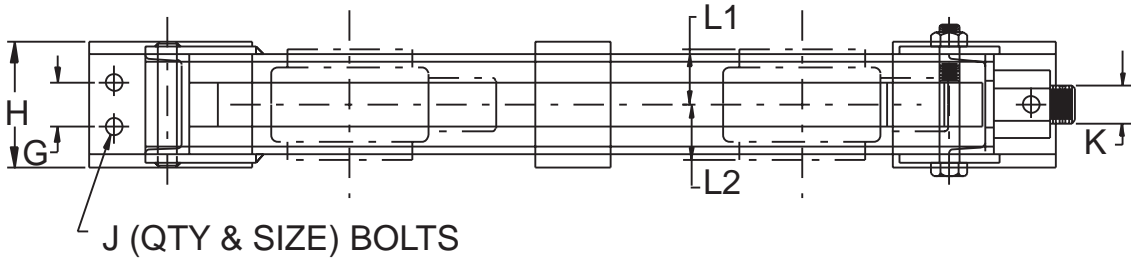
HOW TO ORDER  
PAGE B15-6

NOMENCLATURE  
PAGE B15-7

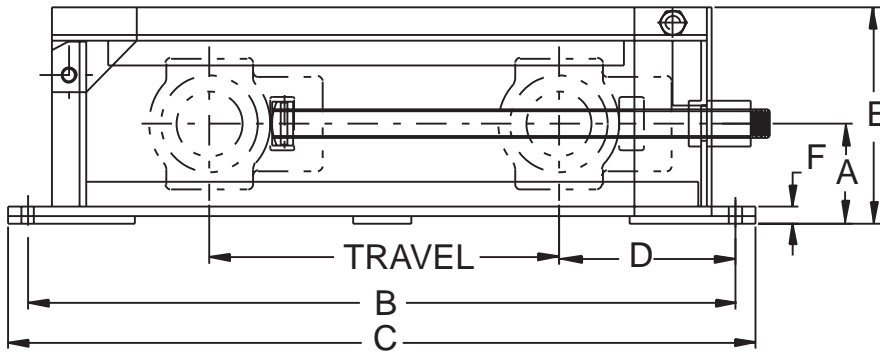
# SELECTION/DIMENSIONS



## Take-Up Frames - CP CENTER PULL (CP)



U.S. Patent No. 4,676,670



Take-Up Frames

Engineering

Index

FEATURES/BENEFITS PAGE B15-2	HOW TO ORDER PAGE B15-6	NOMENCLATURE PAGE B15-7	
---------------------------------	----------------------------	----------------------------	--

# SELECTION/DIMENSIONS



## Take-Up Frames - CP CENTER PULL (CP)

Frame Size	Travel	Frame Part Number	Frame Weight	Travel		A	B	C	D		E	F	G	H	J		K	L1 & L2
				Maximum					S2000 Imperial	Type K & E					Qty.	Size Dia.		
				S2 & IP	Type E & K													
CP308	12	019200	30	15-15/32	15-15/32	3-7/16	26	28	6	6	7	11/16	..	3	2	1/2	3/4-10NC	
CP308	18	019201	34	21-15/32	21-15/32		32	64									3/4-10NC	
CP308	24	019202	38	27-15/32	27-15/32		38	40									3/4-10NC	
CP308	30	019203	42	33-15/32	33-15/32		44	46									3/4-10NC	
CP308	36	019204	46	39-15/32	39-15/32		50	52									3/4-10NC	
CP400	12	019210	55	14-27/32	14-23/32	3-15/16	27-1/2	29-1/2	7-1/4	7-1/4	8-5/8	13/16	..	4	2	5/8	1-8NC	
CP400	18	019211	65	20-27/32	20-23/32		33-1/2	35-1/2									1-8NC	
CP400	24	019212	75	26-27/32	26-23/32		39-1/2	41-1/2									1-8NC	
CP400	30	019213	85	32-27/32	32-23/32		45-1/2	47-1/2									1-8NC	
CP400	36	019214	95	38-27/32	38-23/32		51-1/2	53-1/2									1-8NC	
CP408	12	019220	61	14-5/32	14-3/32	4-7/16	27-1/2	29-1/2	7-3/4	7-3/4	9-1/4	11/16	..	4	2	5/8	1-1/8-7NC	
CP408	18	019221	71	20-5/32	20-3/32		33-1/2	35-1/2									1-1/8-7NC	
CP408	24	019222	81	26-5/32	26-3/32		39-1/2	41-1/2									1-1/8-7NC	
CP408	30	019223	85	32-5/32	32-3/32		45-1/2	47-1/2									1-1/8-7NC	
CP408	36	019224	95	38-5/32	38-3/32		51-1/2	53-1/2									1-1/8-7NC	
CP502	12	019230	65	14-13/32	12-31/32	4-3/8	28-1/2	30-1/2	8-1/4	9-9/16	9-1/2	13/16	..	4	2	3/4	1-1/4-7NC	
CP502	18	019231	75	20-13/32	18-31/32		34-1/2	36-1/2									1-1/4-7NC	
CP502	24	019232	85	26-13/32	24-31/32		40-1/2	42-1/2									1-1/4-7NC	
CP502	30	019233	95	32-13/32	30-31/32		46-1/2	48-1/2									1-1/4-7NC	
CP502	36	019234	105	38-13/32	36-31/32		52-1/2	54-1/2									1-1/4-7NC	
CP515	12	019240	105	14-23/32	14-15/32	5-1/8	30-1/2	32-1/2	9-1/4	9-3/8	11-5/32	7/8	2	5	4	5/8	1-1/2-6NC	See Page B15-23
CP515	18	019241	120	20-23/32	20-15/32		36-1/2	38-1/2									1-1/2-6NC	
CP515	24	019242	135	26-23/32	26-15/32		42-1/2	44-1/2									1-1/2-6NC	
CP515	30	019243	150	32-23/32	32-15/32		48-1/2	50-1/2									1-1/2-6NC	
CP515	36	019244	165	38-23/32	38-15/32		54-1/2	56-1/2									1-1/2-6NC	
CP613	12	019250	115	15-1/32	-	5-5/8	32	34-1/4	9-7/8	-	12-1/16	15/16	2	5	4	3/4	1-3/4-5NC	
CP613	18	019251	135	21-1/32	-		38	40-1/4									1-3/4-5NC	
CP613	24	019252	155	27-1/32	-		44	46-1/4									1-3/4-5NC	
CP613	30	019253	175	33-1/32	-		50	52-1/4									1-3/4-5NC	
CP613	36	019254	195	39-1/32	-		56	58-1/4									1-3/4-5NC	
CP810	12	019260	185	16-9/32	-	7	36	38-1/2	12	-	14-3/4	1-3/16	2-1/2	6	4	3/4	2-4-1/2-NC	
CP810	18	019261	210	22-9/32	-		42	44-1/2									2-4-1/2-NC	
CP810	24	019262	235	28-9/32	-		48	50-1/2									2-4-1/2-NC	
CP810	30	019263	260	34-9/32	-		54	56-1/2									2-4-1/2-NC	
CP810	36	019264	285	40-9/32	-		60	62-1/2									2-4-1/2-NC	
CP908	12	019270	280	17-31/32	-	7-1/2	40-3/4	45-3/4	13-1/2	-	16-1/16	1-1/4	5	9	4	1-1/8	2-4-1/2-NC	
CP908	18	019271	310	23-31/32	-		46-3/4	51-3/4									2-4-1/2-NC	
CP908	24	019272	340	29-31/32	-		52-3/4	57-3/4									2-4-1/2-NC	
CP908	30	019273	370	35-31/32	-		58-3/4	63-3/4									2-4-1/2-NC	
CP908	36	019274	400	41-31/32	-		64-3/4	69-3/4									2-4-1/2-NC	
CP1004	12	019280	370	18-29/32	-	8-1/8	44-1/2	49-1/2	15-3/8	-	17-5/16	1-1/2	5-1/2	10	4	1-1/8	2-1/4-4-1/2-NC	
CP1004	18	019281	400	24-29/32	-		50-1/2	55-1/2									2-1/4-4-1/2-NC	
CP1004	24	019282	430	30-29/32	-		56-1/2	61-1/2									2-1/4-4-1/2-NC	
CP1004	30	019283	460	36-29/32	-		62-1/2	67-1/2									2-1/4-4-1/2-NC	
CP1004	36	019284	490	42-29/32	-		68-1/2	73-1/2									2-1/4-4-1/2-NC	

FEATURES/BENEFITS PAGE B15-2	HOW TO ORDER PAGE B15-6	NOMENCLATURE PAGE B15-7	
---------------------------------	----------------------------	----------------------------	--

# SELECTION/DIMENSIONS



## Take-Up Frames - CP CENTER PULL (CP)

Frame Size	Travel	Frame Part Number	Frame Weight	Travel		Imperial		S2000		Type K		Type E	
				Maximum		L1	L2	L1	L2	L1	L2	L1	L2
				S2 & IP	Type E & K								
CP308	12	019200	30	15-15/32	15-15/32								
CP308	18	019201	34	21-15/32	21-15/32								
CP308	24	019202	38	27-15/32	27-15/32	57/64	1-47/64	53/64	1-45/64	1-1/32	1-1/2	1-1/2	1-1/2
CP308	30	019203	42	33-15/32	33-15/32								
CP308	36	019204	46	39-15/32	39-15/32								
CP400	12	019210	55	14-27/32	14-23/32								
CP400	18	019211	65	20-27/32	20-23/32								
CP400	24	019212	75	26-27/32	26-23/32	53/64	1-63/64	55/64	1-13/16	1-7/32	1-3/4	1-3/4	1-3/4
CP400	30	019213	85	32-27/32	32-23/32								
CP400	36	019214	95	38-27/32	38-23/32								
CP408	12	019220	61	14-5/32	14-3/32								
CP408	18	019221	71	20-5/32	20-3/32								
CP408	24	019222	81	26-5/32	26-3/32	59/64	2-7/64	29/32	1-63/64	1-9/32	1-7/8	1-7/8	1-7/8
CP408	30	019223	85	32-5/32	32-3/32								
CP408	36	019224	95	38-5/32	38-3/32								
CP502	12	019230	65	14-13/32	12-31/32								
CP502	18	019231	75	20-13/32	18-31/32								
CP502	24	019232	85	26-13/32	24-31/32	1-13/64	2-7/32	1-13/64	2	1-5/8	2	2	2
CP502	30	019233	95	32-13/32	30-31/32								
CP502	36	019234	105	38-13/32	36-31/32								
CP515	12	019240	105	14-23/32	14-15/32								
CP515	18	019241	120	20-23/32	20-15/32								
CP515	24	019242	135	26-23/32	26-15/32	1-7/32	2-9/32	1-3/16	2-13/32	1-5/8	2-1/4	2-1/4	2-1/4
CP515	30	019243	150	32-23/32	32-15/32								
CP515	36	019244	165	38-23/32	38-15/32								
CP613	12	019250	115	15-1/32	-								
CP613	18	019251	135	21-1/32	-								
CP613	24	019252	155	27-1/32	-	1-15/32	2-11/16	1-31/64	2-33/64	-	-	-	-
CP613	30	019253	175	33-1/32	-								
CP613	36	019254	195	39-1/32	-								
CP810	12	019260	185	16-9/32	-								
CP810	18	019261	210	22-9/32	-								
CP810	24	019262	235	28-9/32	-	1-21/32	3-3/64	1-39/64	2-55/64	-	-	-	-
CP810	30	019263	260	34-9/32	-								
CP810	36	019264	285	40-9/32	-								
CP908	12	019270	280	17-31/32	-								
CP908	18	019271	310	23-31/32	-								
CP908	24	019272	340	29-31/32	-			3-1/16	3-15/32	-	-	-	-
CP908	30	019273	370	35-31/32	-								
CP908	36	019274	400	41-31/32	-								
CP1004	12	019280	370	18-29/32	-								
CP1004	18	019281	400	24-29/32	-								
CP1004	24	019282	430	30-29/32	-			3-17/64	3-41/64	-	-	-	-
CP1004	30	019283	460	36-29/32	-								
CP1004	36	019284	490	42-29/32	-								

Take-Up Frames

Engineering

Index

FEATURES/BENEFITS PAGE B15-2	HOW TO ORDER PAGE B15-6	NOMENCLATURE PAGE B15-7	
---------------------------------	----------------------------	----------------------------	--

# SELECTION/DIMENSIONS



## Center Pull Take-Up Frame Bearings TAPERED ROLLER BEARINGS

### Type E

Shaft Size	Frame Size
1-3/8 1-7/16	CP-308
1-1/2 1-5/8 1-11/16	CP-400
1-3/4 1-7/8 1-15/16 2	CP-400
2-3/16	CP-408
2-1/4 2-7/16 2-1/2	CP-502
2-11/16 2-3/4 2-15/16 3	CP-515

- Center Pull Take-Up Frames Are Not Supplied With Bearings. First Match The Take-Up Frame With The Bearing Size From This Page. Then Turn To The Page Listed For The Specific Bearing Part Number

- Type E - B6-30
- Type K - B6-40

- See B15-21 and B15-23 For Center Pull Take-Up Frame Travel Options And Part Numbers

### Type K

Shaft Size	Frame Size
1-7/16	CP-308
1-15/16	CP-400
2-3/16	CP-408
2-7/16 2-1/2	CP-502
2-15/16 3	CP-515

## SPHERICAL ROLLER BEARINGS

### S-2000

Shaft Size	Frame Size
1-3/8 1-7/16 1-1/2	CP-308
1-11/16 1-3/4	CP-400
1-15/16 2	CP-400
2-3/16	CP-408
2-7/16	CP-502
2-11/16 2-15/16 3	CP-515
3-7/16	CP-613
3-15/16	CP-810
4-7/16	CP-908
4-15/16	CP-1004

- Center Pull Take-Up Frames Are Not Supplied With Bearings. First Match The Take-Up Frame With The Bearing Size From This Page. Then Turn To The Page Listed For The Specific Bearing Part Number

- S-2000 - B8-36 to B10-39
- IMPERIAL - B10-56 to B10-59

- See B15-21 and B15-23 For Center Pull Take-Up Frame Travel Options And Part Numbers

### IMPERIAL - IP

Shaft Size	Frame Size
1-1/8 1-3/16 1-1/4 1-3/8 1-7/16 1-1/2	CP308
1-5/8 1-11/16 1-3/4	CP-400
1-7/8 1-15/16 2	CP-400
2-3/16	CP-408
2-1/4	CP-502
2-3/8 2-7/16 2-1/2	CP-502
2-11/16 2-3/4 2-15/16 3	CP-515
3-3/16 3-1/4 3-7/16 3-1/2 3-11/16 3-15/16 4	CP-613 CP-810

FEATURES/BENEFITS  
PAGE B15-2

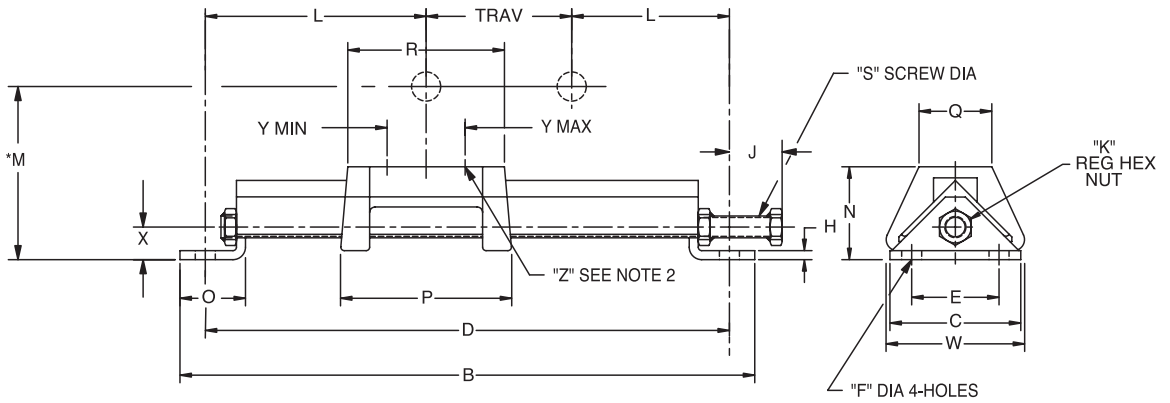
HOW TO ORDER  
PAGE B15-6

NOMENCLATURE  
PAGE B15-7

# SELECTION/DIMENSIONS



## Take-Up Frames - LD LD PROTECTED SCREW TAKE-UP FRAMES



\* M=N + PILLOW BLOCK BACKING DIMENSION

Take-Up Frames

Engineering

Index

<p>FEATURES/BENEFITS PAGE B15-2</p>	<p>HOW TO ORDER PAGE B15-6</p>	<p>NOMENCLATURE PAGE B15-7</p>	
---	------------------------------------	------------------------------------	--

# SELECTION/DIMENSIONS



## Take-Up Frames - LD

### LD PROTECTED SCREW TAKE-UP FRAMES

Frame Size x Travel	Part No.	Wt.	B	C	D	E	F Bolt Dia.	H	J	K	L	N	O
LD-10x6	<b>039005</b>	10	19-1/2	3-3/4	18	2-1/2	3/8	1/4	9/16	9/16	6	2-3/4	2-1/8
LD-10x9	<b>039006</b>	11	22		20-1/2						5-3/4		
LD-10x12	<b>038910</b>	13	25		23-1/2						5-3/4		
LD-10x18	<b>038911</b>	14	31		29-1/2						5-3/4		
LD-10x30	<b>038912</b>	16	43		41-1/2						5-3/4		
LD-10x36	<b>038913</b>	18	49		47-1/2						5-3/4		
LD-10x42	<b>038914</b>	20	55		53-1/2						5-3/4		
LD-10x48	<b>038915</b>	22	61		59-1/2						5-3/4		
LD-20x6	<b>039007</b>	12	19-1/2	3-3/4	18	2-1/2	1/2	1/4	1-3/4	9/16	6	2-19/32	2-1/8
LD-20x9	<b>039008</b>	13	22		20-1/2						5-3/4		
LD-20x12	<b>039009</b>	14	25		23-1/2						5-3/4		
LD-20x18	<b>039010</b>	17	33-1/2		32						7		
LD-20x24	<b>039003</b>	18	39-1/2		38						7		
LD-20x30	<b>039002</b>	20	45-1/2		44						7		
LD-20x36	<b>039043</b>	22	51-1/2		50						7		
LD-20x42	<b>038916</b>	24	57-1/2		56						7		
LD-20x48	<b>039044</b>	26	63-1/2	62	7								
LD-30x12	<b>039011</b>	18	28-1/4	3-3/4	26-3/4	2-1/2	1/2	1/4	1-3/4	9/16	7-3/8	2-11/16	2-1/8
LD-30x18	<b>039012</b>	21	34-1/4		32-3/4						7-3/8		
LD-30x24	<b>039084</b>	24	40-1/4		38-3/4						7-3/8		
LD-30x30	<b>038917</b>	27	46-1/4		44-3/4						7-3/8		
LD-30x36	<b>038918</b>	30	52-1/4		50-3/4						7-3/8		
LD-30x42	<b>038919</b>	33	58-1/4		56-3/4						7-3/8		
LD-30x48	<b>038920</b>	35	64-1/4		62-3/4						7-3/8		
LD-40x12	<b>039013</b>	25	28-1/4		4-3/4						26-1/2		
LD-40x18	<b>039014</b>	28	34-1/4	32-1/2		7-1/4							
LD-40x24	<b>039073</b>	31	40-1/4	38-1/2		7-1/4							
LD-40x30	<b>038921</b>	34	46-1/4	44-1/2		7-1/4							
LD-40x36	<b>038922</b>	37	52-1/4	50-1/2		7-1/4							
LD-40x42	<b>038923</b>	40	58-1/4	56-1/2		7-1/4							
LD-40x48	<b>038924</b>	43	64-1/4	62-1/2		7-1/4							
LD-45x12	<b>039018</b>	50	33	5		31-1/4	3	3/4	5/16	1-9/16	11/16	9-3/4	4-1/8
LD-45x18	<b>039019</b>	55	39-1/4		37-1/2	9-3/4							
LD-45x24	<b>039097</b>	58	45-1/4		43-1/2	9-3/4							
LD-45x30	<b>038925</b>	65	51-1/4		49-1/2	9-3/4							
LD-45x36	<b>038926</b>	70	57-1/4		55-1/2	9-3/4							
LD-45x42	<b>038927</b>	75	63-1/4		61-1/2	9-3/4							
LD-45x48	<b>038928</b>	80	69-1/4		67-1/2	9-3/4							
LD-50x6	<b>039004</b>	49	27		5	25-1/4						3	
LD-50x12	<b>039015</b>	54	33	31-1/4		9-3/4							
LD-50x18	<b>039016</b>	60	39-1/4	37-1/2		9-3/4							
LD-50x24	<b>039017</b>	65	45-1/4	43-1/2		9-3/4							
LD-50x30	<b>038929</b>	71	51-1/4	49-1/2		9-3/4							
LD-50x36	<b>038930</b>	77	57-1/4	55-1/2		9-3/4							
LD-50x48	<b>038932</b>	90	69-1/4	67-1/2		9-3/4							

FEATURES/BENEFITS  
PAGE B15-2

HOW TO ORDER  
PAGE B15-6

NOMENCLATURE  
PAGE B15-7



# SELECTION/DIMENSIONS



## Take-Up Frames - LD

### LD PROTECTED SCREW TAKE-UP FRAMES

Frame Size x Travel	Part No.	Wt.	P	Q	R	S Screw Dia.	W	X	Y Bolt Centers		Z Bolt Dia.	Angle
									Max.	Min.		
LD-10x6	039005	10	5-7/8	1-1/2	5-3/8	3/4	3-1/4	15/16	4-3/8	2-7/8	3/8 x 1-1/2	2 x 2 x 1/4
LD-10x9	039006	11										
LD-10x12	038910	13										
LD-10x18	038911	14										
LD-10x30	038912	16										
LD-10x36	038913	18										
LD-10x42	038914	20										
LD-10x48	038915	22										
LD-20x6	039007	12	7-3/4	2-1/8	7-1/4	3/4	3-3/4	15/16	6-1/4	4-7/16	1/2 x 2-1/2	2 x 2 x 1/4
LD-20x9	039008	13										
LD-20x12	039009	14										
LD-20x18	039010	17										
LD-20x24	039003	18										
LD-20x30	039002	20										
LD-20x36	039043	22										
LD-20x42	038916	24										
LD-20x48	039044	26										
LD-30x12	039011	18	8-1/2	2-1/4	8	3/4	3-3/4	15/16	7	5-3/4	5/8 x 2-1/2	2 x 2 x 5/16
LD-30x18	039012	21										
LD-30x24	039084	24										
LD-30x30	038917	27										
LD-30x36	038918	30										
LD-30x42	038919	33										
LD-30x48	038920	35										
LD-40x12	039013	25										
LD-40x18	039014	28										
LD-40x24	039073	31										
LD-40x30	038921	34	9-3/4	2-1/2	9-1/4	3/4	4-3/4	1-1/16	7-7/8	6-3/8	5/8 x 3	2-1/2 x 2-1/2 x 5/16
LD-40x36	038922	37										
LD-40x42	038923	40										
LD-40x48	038924	43										
LD-45x12	039018	50										
LD-45x18	039019	55										
LD-45x24	039097	58										
LD-45x30	038925	65										
LD-45x36	038926	70										
LD-45x42	038927	75										
LD-45x48	038928	80										
LD-50x6	039004	49	13-1/2	3-1/2	13	1	5-7/8	1-1/4	11-1/4	7-1/4	3/4 x 3-1/2	3 x 3 x 1/2
LD-50x12	039015	54										
LD-50x18	039016	60										
LD-50x24	039017	65										
LD-50x30	038929	71	13-1/2	3-1/2	13	1	5-7/8	1-1/4	11-1/8	7-5/8	7/8 x 4	3 x 3 x 1/2
LD-50x36	038930	77										
LD-50x48	038932	90										

FEATURES/BENEFITS PAGE B15-2	HOW TO ORDER PAGE B15-6	NOMENCLATURE PAGE B15-7	
---------------------------------	----------------------------	----------------------------	--

# SELECTION/DIMENSIONS



## Light Duty Take-Up Frame Bearings

### BALL BEARINGS

#### NORMAL DUTY

SETSCREW - SC, SCU, SCB, VSC, VSCB

D-LOK - DL, DLB

ECCENTRIC LOCK - SXR, SXRU, SXRb, SXV, SXVU, SXVB

GRIP TIGHT - GT

Series	Shaft Size	Frame Size
203	1/2 5/8	LD-10
204	1/2 5/8 3/4 20mm	LD-10
205	7/8 15/16 25mm	LD-10
206	1-1/16 1-1/8 1-3/16 1-1/4 30mm	LD-20
207	1-1/4 1-5/16 1-3/8 1-7/16 35mm	LD-20
208	1-1/2 1-5/8 40mm	LD-20
209	1-5/8 1-11/16 1-3/4 45mm	LD-20
210	1-15/16 2 50mm	LD-30
211	2 2-3/16 2-1/4 55mm	LD-40
212	2-1/4 2-7/16 60mm	LD-40
214	2-1/2 2-11/16 70mm	LD-45
215	2-15/16 75mm	LD-50

- Light Duty Take-Up Frames Are Not Supplied With Bearings. First Match The Take-Up Frame With The Bearing Size From This Page. Then Turn To The Page Listed For The Specific Bearing Part Number.
- EZ-KLEEN Polymer Housing - B1-14 to B1-29
- Grip Tight (GT & GTM)- B2-8 to B2-19
- Setscrew (SC, SCM & VSC) - B3-10 to B3-25
- Eccentric Lock (SXR & SXV) - B4-10 to B4-17
- D-LOK (DL & DLM) - B5-8 to B5-13
- See B15-26 For Light Duty Take-Up Frame Travel Options And Part Numbers.

#### MEDIUM DUTY SETSCREW - SCM, SCH D-LOK - DLM, DLH GRIP TIGHT - GTM

Series	Shaft Size	Frame Size
206	1 25mm	LD-20
207	1-3/16 1-1/4 30mm	LD-20
208	1-7/16 35mm	LD-20
209	1-1/2 40mm	LD-20
210	1-11/16 1-3/4 45mm	LD-30
211	1-15/16 2 50mm	LD-40
212	2-3/16 2-1/4 55mm	LD-40
214	2-7/16 2-1/2 65mm	LD-45
215	2-11/16 70mm	LD-50
216	2-15/16 3 75mm	LD-50
218	3-7/16 3-1/2 85mm	LD-50

FEATURES/BENEFITS  
PAGE B15-2

HOW TO ORDER  
PAGE B15-6

NOMENCLATURE  
PAGE B15-7

# SELECTION/DIMENSIONS



## Light Duty Take-Up Frame Bearings

### SPHERICAL ROLLER BEARINGS

#### IMPERIAL - IP

Shaft Size	Frame Size
1-1/8	LD-20
1-3/16	
1-1/4	
1-3/8	
1-7/16	
1-1/2	
1-5/8	
1	
11/16	
1-3/4	
1-7/8	LD-30
1	
15/16	
2	
2-3/16	
2-1/4	LD-40
2-3/8	
2-7/16	
2-1/2	LD-45
2-11/16	
2-3/4	
2-15/16	
3	
3-3/16	LD-50
3-1/4	
3-7/16	
3-1/2	

#### S-2000

Shaft Size	Frame Size
1-3/8	LD-20
1-7/16	
1-1/2	
1-11/16	LD-20
1-3/4	
1-15/16	LD-30
2	
2-3/16	LD-40
2-7/16	
2-11/16	LD-45
2-15/16	
3	
3-7/16	LD-50

#### UNISPHERE II

Shaft Size	Frame Size
1-7/16	LD-20
1-1/2	
1-11/16	
1-3/4	
1-15/16	LD-30
2	
2-3/16	LD-40
2-7/16	
2-1/2	
2-11/16	LD-45
2-3/4	
2-15/16	
3	
3-7/16	LD-50
3-1/2	

• Light Duty Take-Up Frames Are Not Supplied With Bearings. First Match The Take-Up Frame With The Bearing Size From This Page. Then Turn To The Page Listed For The Specific Bearing Part Number

- S-2000 - B8-18 to B8-21
- Unisphere II - B9-16 to B9-17
- IMPERIAL - B10-21 to B10-27

• See B15-26 For Light Duty Take-Up Frame Travel Options And Part Numbers.

Frame Size	MAX RECOMMENDED HOUSING CAP LOAD (90° LOAD ANGLE)
LD-10	2100
LD-20	3900
LD-30	6200
LD-40	6200
LD-45	9100
LD-50	12500

\* Consult the Application Engineering Department for loads greater than listed. In all cases, when loads are heavy, the L10 life of the bearing should be checked for proper selection and life requirements.

\* LD Frames are drilled for two bolt pillow blocks

FEATURES/BENEFITS PAGE B15-2	HOW TO ORDER PAGE B15-6	NOMENCLATURE PAGE B15-7	
---------------------------------	----------------------------	----------------------------	--

# SELECTION/DIMENSIONS



## Light Duty Take-Up Frame Bearings

### SLEEVE BEARING

LT-700

LT-1000

Series	Shaft Size	Frame Size
204	3/4	LD-10
205	7/8	LD-10
	15/16	
	1 25mm	
206	1-1/8	LD-20
	1-3/16 30mm	
207	1-1/4	LD-20
	1-3/8	
	1-7/16	
	35mm	
209	1-11/16	LD-20
	1-3/4 45mm	
210	1-15/16	LD-30
	2 50mm	
211	2-3/16	LD-40
	55mm	
212	2-7/16	LD-40
	2-1/2 55mm	
215	2-15/16	LD-50
	3	

- Light Duty Take-Up Frames Are Not Supplied With Bearings. First Match The Take-Up Frame With The Bearing Size From This Page. Then Turn To The Page Listed For The Specific Bearing Part Number
- LT-700 - B13-14 to B13-17
- LT-1000 - B13-14 to B13-17
- Babbitt Sleeve - B13-36 to B13-37
- See B15-26 For Light Duty Take-Up Frame Travel Options And Part Numbers

### BABBITTED SOLID JOURNAL BEARING

Shaft Size	Frame Size
1/2 to 1-1/4	LD-10
1-11/16 1-3/4	LD-20
2-15/16	LD-45

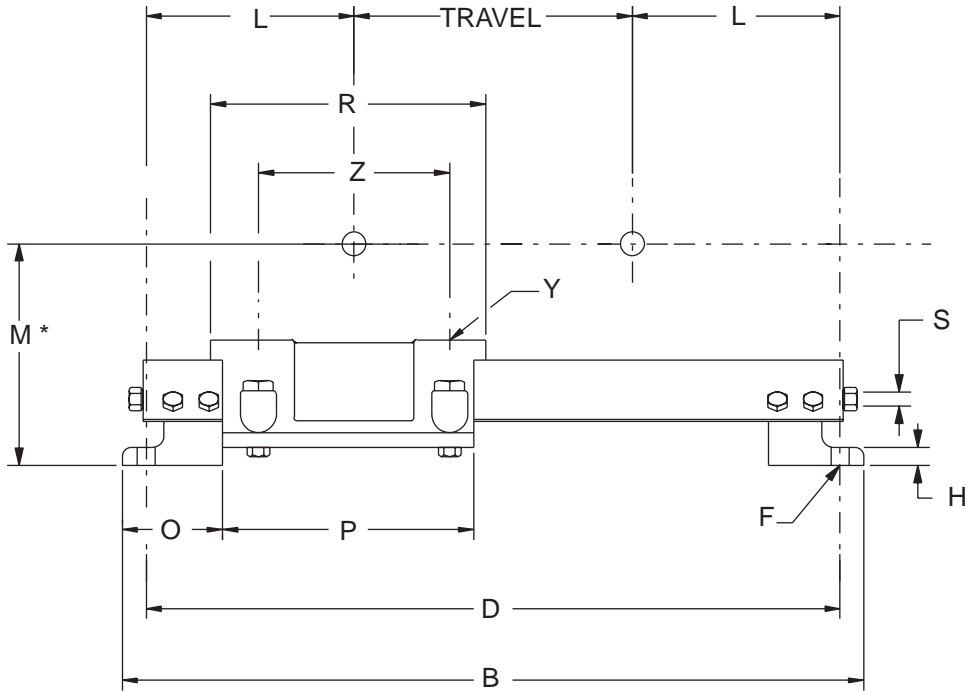
FEATURES/BENEFITS  
PAGE B15-2

HOW TO ORDER  
PAGE B15-6

NOMENCLATURE  
PAGE B15-7



## Take-Up Frames - HD HD PROTECTED SCREW TAKE-UP FRAMES

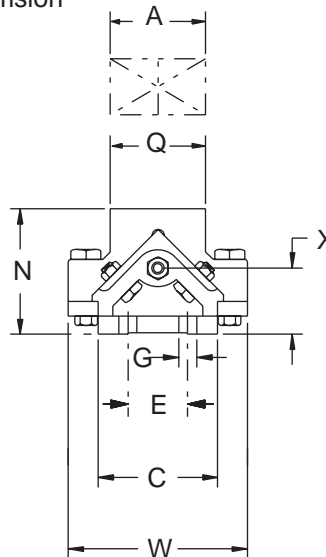


\*  $M = N + \text{Pillow Block Base to Center Dimension}$

### The HD Protected Screw Take-Up Frames

HD 200 through HD 350 Take-Up frames will accommodate pillow blocks on saddles which are slotted for two-bolt Pillow Blocks and may be ordered by part numbers. When using four-bolt Pillow Blocks; or on HD frames 400 and larger, please supply:

1. Bore size of pillow block
2. Type of block (Type E, Double Interlock, USAF, etc.)
3. Whether pillow block is two-or four-bolt style
4. Frame Travel



# SELECTION/DIMENSIONS



Take-Up Frames

Engineering

Index

## Take-Up Frames - HD HD PROTECTED SCREW TAKE-UP FRAMES

Frame Size	Travel	Part No. **◆	Frame Wt.	B	C	D
HD-200*	12	089020	79	31	5	29
	18	089021	82	37	5	35
	24	089022	90	43	5	41
	30	089023	95	47	5	47
	36	089024	100	55	5	53
	48	089150	110	67	5	65
HD-250*	12	089151	115	35-1/4	6	32-3/4
	18	089025	125	41-1/4	6	38-3/4
	24	089026	135	47-1/4	6	44-3/4
	30	089027	137	53-1/4	6	50-3/4
	36	089028	143	59-1/4	6	56-3/4
	48	089152	153	71-1/4	6	68-3/4
HD-300*	60	089600	163	83-1/4	6	80-3/4
	12	089153	175	38-1/4	6-1/2	35-1/2
	18	089029	184	44-1/4	6-1/2	41-1/2
	24	089030	194	50-1/4	6-1/2	47-1/2
	30	089031	206	56-1/4	6-1/2	53-1/2
	36	089032	214	62-1/4	6-1/2	59-1/2
HD-350*	48	089033	240	74-1/4	6-1/2	71-1/2
	60	089601	266	86-1/4	6-1/2	83-1/2
	12	089154	195	40	6-1/2	37-1/4
	18	089034	204	46	6-1/2	43-1/4
	24	089035	212	52	6-1/2	49-1/4
	30	089036	220	58	6-1/2	55-1/4
HD-400**	36	089037	234	64	6-1/2	61-1/4
	48	089038	250	76	6-1/2	73-1/4
	60	089602	276	88	6-1/2	85-1/4
	12	089155	340	44	6-1/2	41-1/4
	18	089039	350	50	6-1/2	47-1/4
	24	089040	360	56	6-1/2	53-1/4
HD-500**	30	089041	370	62	6-1/2	59-1/4
	36	089042	380	68	6-1/2	65-1/4
	48	089043	400	80	6-1/2	77-1/4
	60	089603	420	92	6-1/2	89-1/4
	12	089156	420	49-1/2	7	47
	18	089044	440	55-1/2	7	53
HD-500**	24	089045	460	61-1/2	7	59
	30	089046	480	67-1/2	7	65
	36	089047	500	73-1/2	7	71
	48	089048	530	85-1/2	7	83
	60	089604	560	97-1/2	7	95

Frame Size	E	F Bolt Dia.	G Dia.	H	L	N	O	P	Saddle *Dimensions		S Scr. Dia.	W	X	Y Bolt Dia.	Z	
									Q	R					Max.	Min.
HD-200	2-1/2	5/8	3/4	3/4	8-1/2	5-1/4	4	11	4	11	1	7-1/2	2-9/16	5/8	9-1/16	5-15/16
HD-250	3	5/8	3/4	3/4	10-3/8	6-1/4	5	13-1/4	4-1/2	13	1	8-1/4	3-1/4	3/4	10-7/8	7-5/8
HD-300	3	3/4	7/8	7/8	11-3/4	7	6	14-1/4	5	14	1-1/4	10	3-1/2	3/4	11-5/8	9-1/4
HD-350	3	3/4	7/8	7/8	12-5/8	7	6	16	6	17	1-1/4	10	3-1/2	7/8	13-11/16	10-3/4
HD-400	3	3/4	7/8	7/8	14-5/8	7	6	20	7-1/4	20	1-1/4	10	3-1/2	◆	◆	◆
HD-500	4	7/8	1	1	17-1/2	7-3/4	6-3/4	23-1/2	8-1/2	23-1/2	1-1/2	12-1/2	3-21/32	◆	◆	◆

Consult DODGE for HD600 and HD650 Take-Up Frames, for large bore bearings.

◆ Solid saddle must be drilled and tapped per order (HD-400 & HD500 frames)

\* Saddle is slotted to receive 2-bolt blocks.

\*\* For 4-bolt pillow blocks, all HD frames must be drilled and tapped per order. Refer to Page B15-30

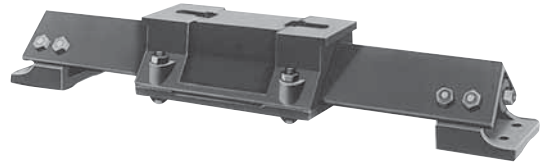
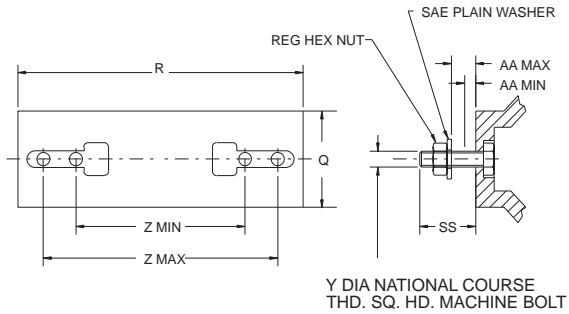
FEATURES/BENEFITS PAGE B15-2	HOW TO ORDER PAGE B15-6	NOMENCLATURE PAGE B15-7	
---------------------------------	----------------------------	----------------------------	--

# SELECTION/DIMENSIONS



## Take-Up Frames - HD

### USING HD PROTECTED SCREW TAKE-UP FRAMES FOR BEARINGS OTHER THAN DODGE



Slotted saddle type HD frames (200 through 350 sizes) may be used with 2-bolt pillow blocks other than DODGE pillow blocks listed in tables on previous pages. The dimensions shown below are listed to determine whether frame is applicable to this type of application.

Frame Size	AA		Saddle Dimensions	
	Min.	Max.	Q	R
HD-200	2	3-1/64	4	11
HD-250	2-5/8	3-13/16	4-1/2	13
HD-300	2-31/32	4-5/32	5	14
HD-350	2-27/32	4-11/16	6	17

Frame Size	Y			SS	Z	
	Bearing Hold Down Bolts				Max.	Min.
	Diameter	Part Number	LENGTH UNDER HEAD			
HD-200	5/8-11	<b>416173</b>	4	3-5/8	9-7/16	5-15/16
HD-250	3/4-10	<b>416229</b>	5	4-17/32	10-7/8	7-5/8
HD-300	3/4-10	<b>416231</b>	5-1/2	4-7/8	11-5/8	9-1/4
HD-350	7/8-9	<b>416275</b>	5-1/2	5	13-11/16	10-3/4

**Note:** The Pillow Blocks must use the bolt shown and have the capability of mounting between the Z bolt centers. The height off the mounting bolt pad must be within the AA dimensions.

FEATURES/BENEFITS PAGE B15-2	HOW TO ORDER PAGE B15-6	NOMENCLATURE PAGE B15-7	
---------------------------------	----------------------------	----------------------------	--

# SELECTION/DIMENSIONS



## Heavy Duty Take-Up Frame Bearings

### TAPERED ROLLER BEARINGS

#### Type E

Shaft Size	Frame Size
1-1/2 to 2-1/2	HD-200*
2-11/16 to 3	HD-250*
3-3/16 to 3-1/2	HD-350*
3-15/16 to 5	HD-400**
5-7/16 to 6	HD-500**

#### Type K Double Interlock

Shaft Size	Frame Size
1-1/2 to 2-3/16	HD-200*
2-1/4 to 2-1/2	HD-250*
2-11/16 to 3	HD-300*
3-3/16 to 3-1/2	HD-350*
3-15/16 to 4-1/2	HD-400**
4-15/16 to 5	HD-500**

#### TAF

Shaft Size	Frame Size
2-7/16 to 2-1/2	HD-200*
2-15/16 to 3	HD-250*
3-7/16 to 4	HD-350*
4-7/16 to 5	HD-400**
5-7/16	HD-500**

- Heavy Duty Take-Up Frames Are Not Supplied With Bearings. First Match The Take-Up Frame With The Bearing Size From This Page. Then Turn To The Page Listed For The Specific Bearing Part Number
- Type K - B6-34
- Type E - B6-22
- DOUBLE INTERLOCK - B6-44
- TAF - B6-52
- See B15-32 For Heavy Duty Take-Up Frame Travel Options and Part Numbers

\* HD-200, HD-250, HD-300 and HD 350 Frames Are Drilled For Two Bolt Base Pillow Blocks. For 4-bolt pillow blocks, refer to note on page B15-31.

\*\* HD-400 And Larger Are Drilled And Tapped Per Order. Specify Bearing Type When Ordering

FEATURES/BENEFITS  
PAGE B15-2

HOW TO ORDER  
PAGE B15-6

NOMENCLATURE  
PAGE B15-7



# SELECTION/DIMENSIONS



## Heavy Duty Take-Up Frame Bearings

### SPECIALITY TAPERED ROLLER BEARINGS

Special Duty	
Shaft Size	Frame Size
1-3/8 to 2	HD-200
2-1/8 to 2-1/2	HD-250
2-3/8 to 3	HD-300
3-3/16 to 3-1/2	HD-350
3-11/16 to 4	HD-400**
4-7/16 to 5	HD-500**

Type C	
Shaft Size	Frame Size
1-3/8 to 1-15/16	HD-200
2 to 2-7/16	HD-250
2-3/8 to 2-15/16	HD-300
3 to 3-7/16	HD-350
3-1/2 to 4	HD-400**
4-7/16 to 5	HD-500**

All-Steel	
Shaft Size	Frame Size
2-11/16 to 3	HD-250*
3-7/16 to 3-1/2	HD-300*
3-15/16 to 4	HD-350*
4-7/17 to 5	HD-400**

- Heavy Duty Take-Up Frames Are Not Supplied With Bearings. First Match The Take-Up Frame With The Bearing Size From This Page. Then Turn To The Page Listed For The Specific Bearing Part Number
- Specialty Duty - B7-32
- Type C - B7-10
- All Steel - B7-56
- See B15-32 For Heavy Duty Take-Up Frame Travel Options and Part Numbers

\* HD-200, HD-250, HD-300 and HD 350 Frames Are Drilled For Two Bolt Base Pillow Blocks. For 4-bolt pillow blocks, refer to note on page B15-31.

\*\* HD-400 And Larger Are Drilled And Tapped Per Order. Specify Bearing Type When Ordering

FEATURES/BENEFITS PAGE B15-2	HOW TO ORDER PAGE B15-6	NOMENCLATURE PAGE B15-7	
---------------------------------	----------------------------	----------------------------	--

# SELECTION/DIMENSIONS



## Heavy Duty Take-Up Frame Bearings

### UNITIZED SPHERICAL ROLLER BEARINGS

#### Imperial - IP

Shaft Size	Frame Size
1-1/8 to 2-1/2	HD-200*
2-11/16 2-3/4 2-15/16 3	HD-250*
3-3/16 3-1/4 3-7/16 3-1/2	HD-300*
3-11/16 3-15/16 4 4-7/16 4-1/2	HD-500*
4-15/16 5	HD-400**

#### S-2000

Shaft Size	Frame Size
1-3/8 1-7/16 1-1/2 1-11/16 1-3/4 1-15/16 2 2-3/16 2-7/16 2-11/16	HD-200*
2-15/16 3	HD-250*
3-7/16	HD-300*
3-15/16 4-7/16	HD-350*
4-15/16	HD-400**

#### UNISPHERE II

Shaft Size	Frame Size
1-15/16 2 2-3/16 2-7/16 2-1/2	HD-200
2-11/16 2-3/4 2-15/16 3	HD-250
3-7/16 3-1/2	HD-300
3-15/16 4	HD-350

- Heavy Duty Take-Up Frames Are Not Supplied With Bearings. First Match The Take-Up Frame With The Bearing Size From This Page. Then Turn To The Page Listed For The Specific Bearing Part Number
- S-2000 - B8-18 to B8-25
- IMPERIAL - B10-21 to B10-33
- UNISPHERE - B9-16 to B9-17
- See B15-32 For Heavy Duty Take-Up Frame Travel Options and Part Numbers

\* HD-200, HD-250, HD-300 and HD 350 Frames Are Drilled For Two Bolt Base Pillow Blocks. For 4-bolt pillow blocks, refer to note on page B15-31.

\*\* HD-400 And Larger Are Drilled And Tapped Per Order. Specify Bearing Type When Ordering

FEATURES/BENEFITS  
PAGE B15-2

HOW TO ORDER  
PAGE B15-6

NOMENCLATURE  
PAGE B15-7

# SELECTION/DIMENSIONS



## Heavy Duty Take-Up Frame Bearings

### UNIFIED SPHERICAL ROLLER BEARINGS

USAF-500  
SAF-XT  
SAFS  
ISAF

Shaft Size	Frame Size
1-15/16 to 2-3/16	HD-200*
2-7/16 to 3	HD-250*
3-3/16	HD-300*
3-7/16 to 3-1/2	HD-350*
3-15/16 to 4-1/2	HD-400**
4-15/16 to 5-1/2	HD-500**

Take-Up Frame Size	Maximum Recommended Housing Cap. Loads ** (at 90° load angle)
HD-200	2800
HD-250	4200
HD-300	4200
HD-350	3500
HD-400	***
HD-500	***

- Heavy Duty Take-Up Frames Are Not Supplied With Bearings. First Match The Take-Up Frame With The Bearing Size From This Page. Then Turn To The Page Listed For The Specific Bearing Part Number
- IMPERIAL - B10-20 to B10-35
- USAF-500 - B11-40 to B11-43
- SAF-XT - B11-68 to B-11-69
- SAFS - B11-65 to B11-67
- See B15-32 For Heavy Duty Take-Up Frame Travel Options and Part Numbers

\* HD-200, HD-250, HD-300 and HD 350 Frames Are Drilled For Two Bolt Base Pillow Blocks. For 4-bolt pillow blocks, refer to note on page B15-31.

\*\* HD-400 And Larger Are Drilled And Tapped Per Order. Specify Bearing Type When Ordering

FEATURES/BENEFITS PAGE B15-2	HOW TO ORDER PAGE B15-6	NOMENCLATURE PAGE B15-7	
---------------------------------	----------------------------	----------------------------	--

# SELECTION/DIMENSIONS



## Heavy Duty Take-Up Frame Bearings

### SLEEVE BEARINGS

MM-700

MM-1000

Shaft Size	Frame Size
3-7/16 3-1/2	HD-250*
3-15/16 4	HD-300*
4-7/16 4-1/2	HD-350*
4-15/16 5	HD-400**

- Heavy Duty Take-Up Frames Are Not Supplied With Bearings. First Match The Take-Up Frame With The Bearing Size From This Page. Then Turn To The Page Listed For The Specific Bearing Part Number

- MM 700 - B13-18
- MM 1000 - B13-18
- Angle Babbitt - B13-42 to B14-43
- Bronze B13-46 to B13-49

- See B15-32 For Heavy Duty Take-Up Frame Travel Options and Part Numbers

Angle Babbitt  
Bronze Babbitt

Shaft Size	Frame Size
1-15/16 2-3/16 2-7/16	HD-200*
2-11/16 2-15/16	HD-250*
3-7/16	HD-300*
3-15/16	HD-350*
4-7/16 4-15/16	HD-400**
5-7/16 5-15/16	HD-500**

\* HD-200, HD-250, HD-300 and HD 350 Frames Are Drilled For Two Bolt Base Pillow Blocks. For 4-bolt pillow blocks, refer to note on page B15-31.

\*\* HD-400 And Larger Are Drilled And Tapped Per Order. Specify Bearing Type When Ordering

FEATURES/BENEFITS  
PAGE B15-2

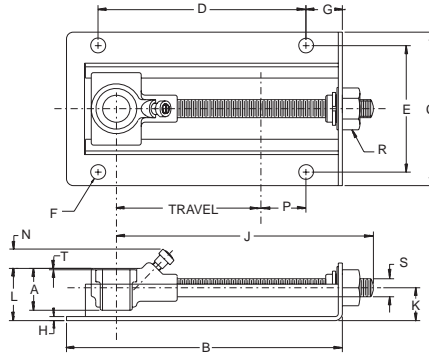
HOW TO ORDER  
PAGE B15-6

NOMENCLATURE  
PAGE B15-7

# SELECTION/DIMENSIONS



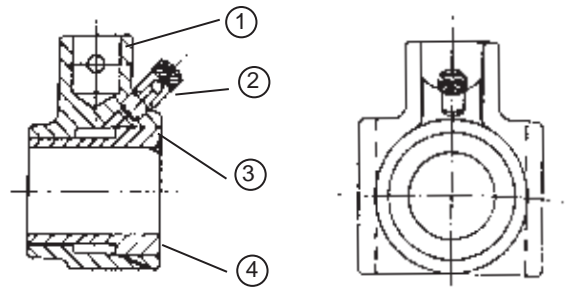
## Take-Up Frames - BRONZOIL



Shaft Size X Travel	Part Number	Description	Wt.	A	B	C	D	E
1/2 x 4	<b>034020</b>	BOTU-008X4	1.9					
5/8 x 4	<b>034021</b>	BOTU-010X4	1.8	1-3/16	7-5/8	4-1/4	5-3/4	3-1/2
3/4 x 4	<b>034022</b>	BOTU-012X4	1.7					
7/8 x 4	<b>034023</b>	BOTU-014X4	2.1					
15/16 x 4	<b>034024</b>	BOTU-015X4	2.0	1-9/16	7-5/8	4-1/4	5-3/4	3-1/2
1 x 4	<b>034025</b>	BOTU-100X4	1.9					

Shaft Size X Travel	F Bolt Dia.	G	H	J	K	L	N	P	R Hex. Size	S	T
1/2 x 4											
5/8 x 4	3/8	1	7/64	7-1/8	29/32	1-7/16	1/2	1-1/4	1	1/2	1/16
3/4 x 4											
7/8 x 4											
15/16 x 4	3/8	1	7/64	7-1/8	29/32	1-5/8	5/16	1-1/4	1	1/2	1/16
1 x 4											

BRONZOIL Take-Up Bearing Assembly					
Size	(TUBO---) Assy. No	1	2	3	4
1/2	<b>034030</b>	034001	405046	034013	444010
5/8	<b>034031</b>	034001	405046	034014	444010
3/4	<b>034032</b>	034001	405046	034015	444010
7/8	<b>034033</b>	034002	405046	034016	444010
15/18	<b>034034</b>	034002	405046	034017	444010
1	<b>034035</b>	034002	405046	034018	444010



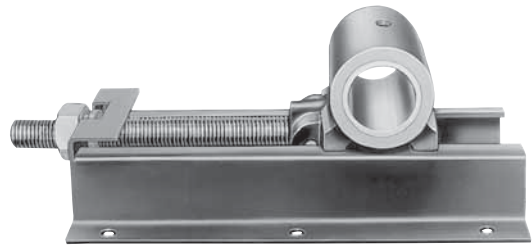
1. BRONZOIL Housing
2. BRONZOIL Take-Up Oil Cup
3. BRONZOIL Bushing
4. BRONZOIL Permawick

FEATURES/BENEFITS PAGE B15-2	HOW TO ORDER PAGE B15-6	NOMENCLATURE PAGE B15-7	
---------------------------------	----------------------------	----------------------------	--

# SELECTION/DIMENSIONS



## Take-Up Bearings - Type A & B



### TYPE A & B TAKE-UP BEARINGS (Only) TYPE A & B TAKE-UP FRAMES DISCONTINUED

Shaft Size x Travel	Type A Take-Up Bearing		
	Part Number	Description	Wt.
15/16 x 5	<b>036180</b>	TUA-015-TUBRG	2.6
1 x 5	<b>036181</b>	TUA-100-TUBRG	2.5
1-3/15 x 5	<b>036182</b>	TUA-103-TUBRG	2.3
1-1/4 x 5	<b>036183</b>	TUA-104-TUBRG	2.2
1-7/16 x 6	<b>036184</b>	TUA-107-TUBRG	3.5
1-7/16 x12			
1-11/16 x 6	<b>036185</b>	TUA-111-TUBRG	4.1
1-11/16 x12			
1-15/16 x 9	<b>036186</b>	TUA-115-TUBRG	6.7
1-15/16 x18			
2-3/16 x 9	<b>036187</b>	TUA-203-TUBRG	10.1
2-3/16 x18			
2-7/16 x 9	<b>036188</b>	TUA-207-TUBRG	8.8
2-7/16 x18			

Shaft Size x Travel	Type B Take-Up Bearing		
	Part Number	Description	Wt.
15/16 x 5	<b>036270</b>	TUB-015-TUBRG	3.6
1 x 5	<b>036193</b>	TUB-100-TUBRG	3.5
1-3/15 x 5	<b>036194</b>	TUB-103-TUBRG	3.3
1-1/4 x 5	<b>036274</b>	TUB-104-TUBRG	3.2
1-7/16 x 6	<b>036196</b>	TUB-107-TUBRG	4.7
1-7/16 x 12			
1-11/16 x 6	<b>036197</b>	TUB-111-TUBRG	5.4
1-11/16 x12			
1-15/16 x 9	<b>036198</b>	TUB-115-TUBRG	8.6
1-15/16 x18			
2-3/16 x 9	<b>036199</b>	TUB-203-TUBRG	12.7
2-3/16 x18			
2-7/16 x 9	<b>036200</b>	TUB-207-TUBRG	11.4
2-7/16 x18			

FEATURES/BENEFITS  
PAGE B15-2

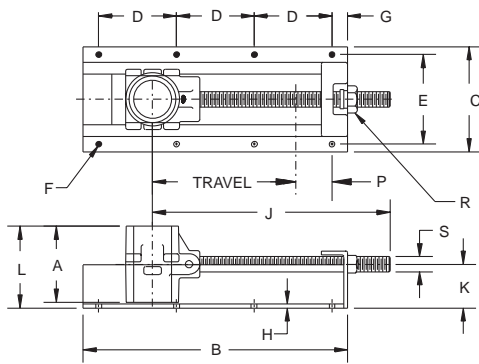
HOW TO ORDER  
PAGE B15-6

NOMENCLATURE  
PAGE B15-7

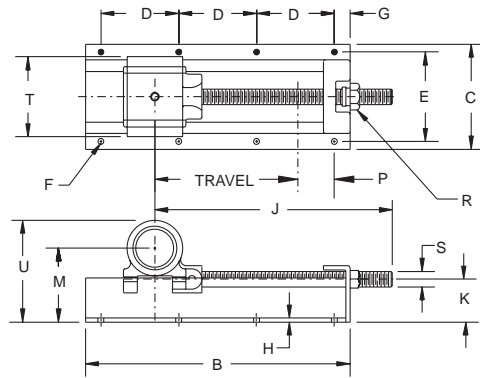
# SELECTION/DIMENSIONS



## Take-Up Bearings - Type A & B



TYPE TUA



TYPE TUB

Shaft Size x Travel	A	B	C	D	E	F Bolt		G	H	J	K
						No.	Dia.				
15/16 x 5 1 x 5 1-3/16 x 5 1- 1/4 x 5	2-5/8	9-3/4	4-3/4	3-1/2	4	6	5/16	1-3/8	1/8	8-3/4	1-5/8
1-7/16 x 6 1-7/16 x 12	3-1/8	1218	5-3/45-3/4	55-1/4	4-3/44-3/4	68	3/33/8	11	3/163/16	10-1/216-1/2	22
1-11/16 x 6 1-11/16 x 12	3-3/8	1218	5-3/45-3/4	55-1/4	4-3/44-3/4	68	3/83/8	11	3/163/16	10-1/216-1/2	22
1-15/16 x 9 1-15/16 x 18	4-1/8	1726	6-3/46-3/4	56	5-3/45-3/4	810	3/83/8	11	1/41/4	14-1/223-1/2	2-3/42-3/4
2-3/16 x 9 2-3/16 x 18	4-7/8	1726	6-3/46-3/4	56	5-3/45-3/4	810	3/83/8	11	1/41/4	14-1/223-1/2	2-3/42-3/4
2-7/16 x 9 2-7/16 x 18	4-7/8	1726	6-3/46-3/4	56	5-3/45-3/4	810	3/83/8	11	1/41/4	14-1/223-1/2	2-3/42-3/4

Shaft Size x Travel	L	M	P	R Hex.	S	T	U	Grease Cup	
								Pipe Tap	Size
15/16 x 5 1 x 5 1-3/16 x 5 1- 1/4 x 5	3	2-3/4	1-5/8	1-5/16	3/4	2-7/8	3-27/32	1/8	0
1-7/16 x 6 1-7/16 x 12	3-5/8	3-3/83-3/8	2-1/22-1/2	1-1/2	7/8	3-3/8	4-19/32	1/4	0
1-11/16 x 6 1-11/16 x 12	3-3/4	3-5/83-5/8	2-1/22-1/2	1-1/2	7/8	3-5/8	4-31/32	1/4	0
1-15/16 x 9 1-15/16 x 18	4-7/8	4-1/24-1/2	3-3/83-3/8	1-5/8	1	4-3/8	6-1/32	1/4	1
2-3/16 x 9 2-3/16 x 18	5-1/4	4-3/44-3/4	3-1/83-1/8	1-5/8	1	5-1/8	6-17/32	1/4	1
2-7/16 x 9 2-7/16 x 18	5-1/4	4-3/44-3/4	3-3/83-3/8						

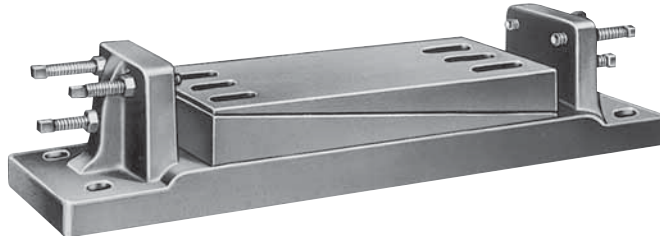
FEATURES/BENEFITS PAGE B15-2	HOW TO ORDER PAGE B15-6	NOMENCLATURE PAGE B15-7	
---------------------------------	----------------------------	----------------------------	--

# SELECTION/DIMENSIONS



## Baseplate

ADJUSTABLE BASE PLATES FOR TYPE C, SPECIAL DUTY, ALL-STEEL, USAF, ISAF, SAF-XT AND TAF



Base plates provide substantial support for pillow blocks and also a simple method of obtaining shaft alignment at time of installation and realignment when slight changes occur in the supporting structure or foundation. The side screws provide support to the pillow blocks in installations having side strains due to loads imposed by belts, gears or other drives.

The bottom of the base plates are regularly cast smooth, and the "M" dimension as given below is approximate. An extra charge as listed on opposite

page is made when the base plate is ordered with the bottom of the base machined.

**Adjustable Base Plate** - This type is supplied with tapered wedges with permit an approximate vertical adjustment of from 3/16, above to 3/16, below the normal position. Side screws provide for horizontal adjustment.

**Selection of Size** - Trace down left hand column to pillow block size, then trace right to the base plate number listed under the type of pillow block.

Shaft Size	Type of Pillow Block					
	Type C Special Duty		All-Steel		SAF-XT & TAF USAF, SAFS, ISAF	
	Base Plate No.	M ⚙️ Adj.	Base Plate No.	M ⚙️ Adj.	Base Plate No.	M ⚙️ Adj.
1-11/16	270	6-1/4	...	.....	.....	.....
1-15/16	300	6-3/4	.....	.....	.....	.....
2-3/16	320	7-1/2	.....	.....	.....	.....
2-7/16	360	8-1/8	.....	.....	330	7-5/16
2-11/16	370	9	350	7-15/16	350	7-11/16
2-15/16	370	9	350	7-15/16	350	7-15/16
3-3/16	410	10-1/2	....	.....	380	8-5/8
3-7/16	410	10-1/2	400	9-3/8	400	9-3/8
3-15/16	460	11-7/8	430	10-1/8	430	10-1/8
4-3/16	...	.....	....	.....	430	10-7/8
4-7/16	460	12-3/4	450	11-15/16	450	11-9/16
4-15/16	500	13-1/2	450	11-15/16	480	11-15/16
5-3/16	...	.....	....	.....	490	12-11/16
5-7/16	540	16	490	13	490	13-1/16
6	540	16	510B	14	510A	14-1/16
6-1/2	580	19-1/4	550A	15-7/8	550B	15-5/8
7	580	19-1/4	550A	15-7/8	550A	16
8	600	21-3/4	560	18-3/4	560	18-3/4
9	630	26-1/2	610	23-3/8	540	15-1/4
10	630	26-1/2	610	23-3/8	610 *	17

\* For use with UAF contact DODGE Application Engineering

⚙️ See drawings on B15-42, When bottom of base plate is machined, the "M" dimension will be reduced approximately 1/4".

FEATURES/BENEFITS PAGE B15-2	HOW TO ORDER PAGE B15-6	NOMENCLATURE PAGE B15-7	
---------------------------------	----------------------------	----------------------------	--

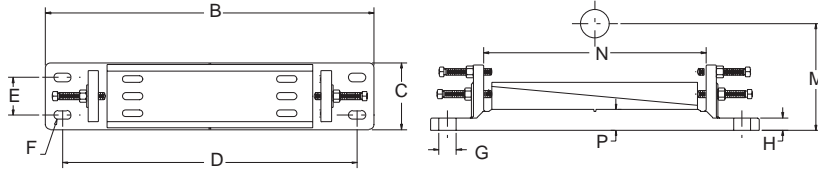


# SELECTION/DIMENSIONS



## Baseplates

ADJUSTABLE BASE PLATES FOR TYPE C, SPECIAL DUTY, ALL-STEEL, USAF, ISAF, SAF-XT AND TAF



WEDGE TYPES  
TYPE 1



TYPE 2



TYPE 3



TYPE 4



## BASE PLATES FOR DODGE PILLOW BLOCKS

Base Plate No.	Adjustable Base Plate		Wedge Type	B	C	D	4-Bolt Base		G	H	N	P
	Part No.	Wt.					E	F-Bolt				
270 Å	079023	23	1	18-1/2	3-5/8	16-1/2	2-1/4	1/2	1	1	12-1/4	1-1/2
300 Å	079026	36	1	21-1/2	3-3/4	19	2-1/4	5/8	1-1/4	1-1/8	14	1-3/4
320 Å	079029	44	1	22-1/2	4-1/4	20	2-1/2	5/8	1-1/4	1-1/8	15	1-3/4
330 Å	057021	52	2	23-1/4	3-3/4	21	2	5/8	15/16	1-1/4	15-3/4	2
350 Å	057024	58	2	24-3/4	4	22-1/2	2	5/8	15/16	1-1/4	17	2
360 Å	079032	51	2	24	4-1/2	21-1/2	2-1/2	5/8	1-1/4	1-1/4	16-1/2	2
370 Å	079035	58	2	26	5	23-1/2	2-3/4	5/8	1-1/4	1-1/4	18	2
380 Å	057018	67	2	25-3/4	4-1/2	23-1/2	2-1/4	5/8	15/16	1-1/4	17-3/4	2-1/4
400 Å	057027	87	2	28-1/2	4-3/4	26	2-1/2	3/4	1-1/8	1-3/8	18-3/4	2-3/8
410	079038	98	2	30	5-3/4	27	3-1/4	3/4	1-1/2	1-3/8	19-3/4	2-3/8
430	057030	108	3	30-3/4	5	27-3/4	2-1/2	7/8	15/16	1-1/2	20-1/2	2-1/2
450	057033	126	3	32-3/4	5-1/2	29-3/4	3	7/8	15/16	1-1/2	22-1/2	2-1/2
460	079041	169	3	34-1/2	7-3/4	31	4-1/2	7/8	1-3/4	1-1/2	23-3/4	2-1/2
480	057036	174	3	35	6-7/8	31-3/4	3-1/4	1	1-1/2	1-5/8	23-7/8	2-3/4
490	057039	170	3	36-1/2	6-1/2	33-1/4	3-1/2	1	1-1/2	1-5/8	25-1/2	2-7/8
500	079044	172	3	39	8-1/2	35	5	1	2	1-5/8	26-3/4	2-3/4
510A	079080	230	3	41-1/4	7	37-1/2	4	1-1/8	1-11/16	1-3/4	28-1/8	3
510B	079081											
540	079087	330	3	48	9-3/4	43	5-1/2	1-1/8	2-1/2	1-3/4	32-1/2	3
550A	079082	350	3	47-3/4	7-3/4	43	4	1-1/2	2-1/4	2-1/8	32	3-1/2
550B	079083											
560	079084	430	3	52-1/4	9	47-1/2	4-1/2	1-3/4	2-5/8	2-1/4	35-3/4	4
580	079088	575	3	59	10-3/4	52	6	1-1/2	3	2-1/8	40	3-1/2
600	079089	950	3	66	11-3/4	59	6-1/2	1-3/4	3-1/2	2-1/8	45	4
610	079086	1300	4	65-1/2	12	59-1/2	6-1/2	2	3	3	44	5
630	079090	2150	4	73-1/2	16	67-1/2	10	2	3	3	51	5

\* Base plates are furnished with 4-bolt base only. These accept pillow blocks as Å noted 2-bolt on y, Å 2 or 4-bolt, all others accept 4-bolt only.

FEATURES/BENEFITS PAGE B15-2	HOW TO ORDER PAGE B15-6	NOMENCLATURE PAGE B15-7	
---------------------------------	----------------------------	----------------------------	--

# NOTES

---



Take-Up Frames

Engineering

Index

# CONTENTS



## ENGINEERING/TECHNICAL

### BEARING ENGINEERING SECTION

Vibration Frequencies of Anti-Friction Mounted Bearings . . . . .	B16-2
Bearing Life Adjustment Factors . . . . .	B16-9
(Rolling Element Bearings)	

### PT COMPONENT ENGINEERING SECTION

V-Belt Drive Formulas . . . . .	B16-11
Conveyor Belt FPM to RPM . . . . .	B16-12
Material Characteristics . . . . .	B16-13

### GENERAL ENGINEERING SECTION

Shafting . . . . .	B16-15
Expansion of Shafting . . . . .	B16-20
Weights/Properties of Steel Shafting . . . . .	B16-21
Oil Viscosity Classification . . . . .	B16-23
English Standard Measurement . . . . .	B16-24
Metric Standard Measurement & Conversion . . . . .	B16-26
Common Conversion Factors . . . . .	B16-27
Flywheel Formulas . . . . .	B16-34
Centrifugal Force . . . . .	B16-34
Formulas and Constants . . . . .	B16-33
Torque and Horsepower Equivalents . . . . .	B16-35
Overhung Loads . . . . .	B16-35
Mathematical Equations . . . . .	B16-35
Strength and Physical Properties of Various Metals . . . . .	B16-36
Properties of Sections . . . . .	B16-37
Coefficients of Friction . . . . .	B16-38
Hardness Comparison . . . . .	B16-38
U.S. Standard Sheet Metal Gages . . . . .	B16-38
Trigonometric Formula . . . . .	B16-39
A-C Motor Information . . . . .	B16-40
Part Number Index . . . . .	INDEX-1
Key Word Index . . . . .	INDEX-34

Take-Up Frames

Engineering

Index

## Vibration Frequencies of DODGE Anti-Friction Mounted Bearings

More and more manufacturing facilities are getting involved with plant-wide preventive maintenance programs. By monitoring vibration levels of motors, pumps, fans and compressors, maintenance supervisors can predict imminent failures. Knowing that a piece of equipment is showing signs of potential failure permits scheduling of maintenance at an appropriate time and avoids the consequences of catastrophic failures. Shown in Tables 1 - 10 are vibration frequencies generated by bearing components defects. All frequencies are based on unity inner ring or cone rotation.

### How to Use the Tables

If a 2-7/16 Type E pillow block is rotating at 1000 RPM, the vibration due to a failed component will show up at the following frequencies: (Table 3, Line 6)

### Frequency

Cup Nick or Spall	= 1000 x 9.251	= 9251 RPM
Cone Nick or Spall	= 1000 x 11.749	= 11749 RPM
*Roller Nick or Spall	= 1000 x 4.011 x 2	= 8022 RPM
Cage (Train) Frequency (Inner Ring Rotation)	= 1000 x 0.441	= 441 RPM

Since all the values in Tables 1 - 10 are based on unity inner ring or cone rotation, the vibration due to flaws will show up at the frequencies obtained by multiplying the RPM times the factors found on the appropriate table. The resulting product will have units of RPM.

**Table 1: All Setscrew, Eccentric, D-LOK & GT Ball Bearing Parameters For Vibration Analysis (1-RPS)**

Series	SC Bore	SCM Bore	# Balls	Diameter of Balls	Pitch Diameter	Outer Ring Frequency Hz	Inner Ring Frequency Hz	* Ball Spin Frequency Hz	Cage Frequency Hz
203	1/2 - 5/8		8	17/64	1.1506	3.076569	4.923431	2.050406	0.384571
204	1/2 - 3/4		8	5/16	1.3251	3.056675	4.943325	2.002244	0.382084
205	7/8 - 1		9	5/16	1.5325	3.582382	5.417618	2.350042	0.398042
206	1-1/6 - 1-1/4	1	9	3/8	1.823	3.574328	5.425672	2.327814	0.397148
207	1-1/4 - 1-7/16	1-3/16	9	7/16	2.136	3.578301	5.421699	2.338732	0.397589
208	1-1/2 - 1-5/8	1-7/16 - 1-1/2	9	1/2	2.387	3.557394	5.442606	2.282266	0.395266
209	1-11/16 - 1-3/4	1-1/2	9	13/25	2.5591	3.585616	5.414384	2.359075	0.398402
210	1-15/16 - 2	1-11/16 - 1-3/4	10	1/2	2.7645	4.095677	5.904323	2.674068	0.409568
211	2-2-1/4	1-15/16 - 2	10	9/16	3.092	4.090395	5.909605	2.657484	0.409039
212	2-1/4 - 2-7/16	2-3/16 - 2-1/4	10	5/8	3.385	4.076809	5.923191	2.615681	0.407681
214	2-11/16	2-7/16 - 2-1/2	10	11/16	3.775	4.089404	5.910596	2.654395	0.408940
215	2-15/16	2-11/16	11	11/16	4.085	4.574357	6.425643	2.886760	0.415851
216		2-15/16 - 3	11	3/4	4.33	4.547344	6.452656	2.800062	0.413395
218		3-7/16 - 3-1/2	11	27/32	4.9199	4.556764	6.443236	2.829748	0.414251

**Table 2: CC Ball Bearing Parameters For Vibration Analysis (1-RPS)**

Series	Shaft Size	# Balls	Diameter of Balls	Pitch Diameter	Outer Ring Frequency Hz	Inner Ring Frequency Hz	* Ball Spin Frequency Hz	Cage Frequency Hz
205	15/16 - 1	9	5/16	1.516	3.572394	5.427606	2.322533	0.396933
206	1-1/8 - 1-3/16	9	3/8	1.811	3.568194	5.431806	2.311133	0.396466
207	1-1/4 - 1-7/16	9	7/16	2.106	3.565171	5.434829	2.302987	0.396130
209	1-11/16 - 1-3/4	9	1/2	2.362	3.547417	5.452583	2.256157	0.394157
210	1-15/16	10	1/2	2.756	4.092888	5.907112	2.665289	0.409289
211	2-3/16	10	9/16	3.051	4.078171	5.921829	2.619817	0.407817

\* **Note:** Ball and Roller Spin Frequencies are listed at one (1X) roller spin frequency. For thorough analysis it is important to check frequency level at two (2X) rotational speed of balls or rollers as this is the frequency that a single ball/roller defect will contact the raceways of the bearing. In other words, a ball/roller defect will strike both inner and outer ring in one revolution of the roller.

**Table 3: Type E, K, DI, and TAF Tapered Roller Bearing Parameters For Vibration Analysis (1-RPS)**

Bore Size	# Rollers Per Row	Mean Diameter of Rollers	Pitch Diameter	Contact Angle	Cup Frequency Hz	Cone Frequency Hz	* Roller Spin Frequency Hz	Cage Frequency Hz
1-3/16 - 1-1/4	19	0.23	1.774	17.533	8.325540	10.674460	3.797580	0.438186
1-3/8 - 1-7/16	20	0.29	2.084	16.5	8.665750	11.334250	3.529138	0.433287
1-1/2 - 1-11/16	18	0.35	2.411	16	7.744100	10.255900	3.377216	0.430228
1-3/4 - 2	17	0.41	2.709	12.033	7.241814	9.758186	3.231274	0.425989
2-3/16	19	0.41	3.014	13.283	8.242270	10.757730	3.611184	0.433804
2-1/4 - 2-1/2	21	0.41	3.337	14.5	9.251011	11.748989	4.011931	0.440524
2-11/16 - 3	24	0.41	3.9	16.733	10.791879	13.208121	4.707891	0.449662
3-3/16 - 3-1/2	26	0.46	4.78	18.167	11.811316	14.188684	5.152213	0.454281
3-15/16 - 4	26	0.51	5.12	17.567	11.765467	14.234533	4.974340	0.452518
4-7/16 - 4-1/2	25	0.59	5.727	18.983	11.282275	13.717725	4.807330	0.451291
4-15/16 - 5	25	0.68	6.568	17	11.262395	13.737605	4.782071	0.450496
5-7/16 - 6	32	0.67	8.444	17.75	14.790895	17.209105	6.265507	0.462215
6-7/16 - 7	27	0.93	9.791	19.167	12.288783	14.711217	5.221605	0.455140

Cup Frequency =  $N * RPM * (1 - (Bd * \cos a / Pd)) / 120$

Cone Frequency =  $N * RPM * (1 + (Bd * \cos a / Pd)) / 120$

Roller Spin Frequency =  $Pd * RPM * (1 - (Bd * \cos a / Pd)^2) / (120 * Bd)$

Cage Frequency =  $RPM * (1 - (Bd * \cos a / Pd)) / 120$

Pd = Pitch Diameter

N = Number of rollers

Bd = Roller Diameter

a = Cup Angle (contact angle)

**Table 4: Type C Tapered Roller Bearing Parameters For Vibration Analysis (1-RPS)**

Bore Size	# Rollers Per Row	Mean Diameter of Rollers	Pitch Diameter	Contact Angle	Cup Frequency Hz	Cone Frequency Hz	* Roller Spin Frequency Hz	Cage Frequency Hz
1-3/16 - 1-7/16	19	0.31	2.251	14.92	8.235801	10.764199	3.566352	0.433463
1-1/2 - 1-3/4	21	0.32	2.604	11.50	9.235581	11.764419	4.009748	0.439790
1-15/16	22	0.33	2.848	15.00	9.768852	12.231148	4.261097	0.444039
2 - 2-1/4	21	0.40	3.335	16.83	9.294571	11.705429	4.113807	0.442599
2-3/16 - 2-7/16	25	0.35	3.533	18.00	11.322284	13.677716	5.002340	0.452891
2-1/2 - 2-11/16	23	0.43	3.827	16.50	10.261076	12.738924	4.398352	0.446134
2-7/16 - 2-15/16	26	0.42	4.22	16.50	11.759442	14.240558	4.978061	0.452286
3 - 3-3/16	22	0.55	4.612	16.50	9.742225	12.257775	4.137910	0.442828
3-1/4 - 3-7/16	24	0.51	4.761	16.42	10.766982	13.233018	4.618367	0.448624
3-1/2 - 4	25	0.59	5.727	18.98	11.282253	13.717747	4.807328	0.451290
4-7/16 - 4-1/2	33	0.46	3.109	11.50	14.107710	18.892290	3.308310	0.427506
4-15/16 - 5	26	0.68	6.983	18.00	11.796028	14.203972	5.090519	0.453693

Cup Frequency =  $N * RPM * (1 - (Bd * \cos a / Pd)) / 120$

Cone Frequency =  $N * RPM * (1 + (Bd * \cos a / Pd)) / 120$

Roller Spin Frequency =  $Pd * RPM * (1 - (Bd * \cos a / Pd)^2) / (120 * Bd)$

Cage Frequency =  $RPM * (1 - (Bd * \cos a / Pd)) / 120$

Pd = Pitch Diameter

N = Number of rollers

Bd = Roller Diameter

a = Cup Angle (contact angle)

**\* Note:** Ball and Roller Spin Frequencies are listed at one (1X) roller spin frequency. For thorough analysis it is important to check frequency level at two (2X) rotational speed of balls or rollers as this is the frequency that a single ball/roller defect will contact the raceways of the bearing. In other words, a ball/roller defect will strike both inner and outer ring in one revolution of the roller.

**Table 5: Special Duty Tapered Roller Bearing Parameters For Vibration Analysis (1-RPS)**

Bore Size	# Rollers Per Row	Mean Diameter of Rollers	Pitch Diameter	Contact Angle	Cup Frequency Hz	Cone Frequency Hz	* Roller Spin Frequency Hz	Cage Frequency Hz
1-3/8 - 1-1/2	16	0.40	2.563	11.54	6.776702	9.223298	3.128839	0.423544
1-9/16 - 1-3/4	18	0.40	2.854	12.72	7.769570	10.230430	3.500820	0.431643
1-7/8 - 2	19	0.41	3.014	13.28	8.242255	10.757745	3.611183	0.433803
2-1/8 - 2-1/4	22	0.41	3.475	15	9.746381	12.253619	4.182764	0.443017
2-3/8 - 2-1/2	20	0.46	3.695	14.38	8.794078	11.205922	3.957897	0.439704
2-5/8 - 3	22	0.51	4.336	15.07	9.750677	12.249323	4.196146	0.443213
3-3/16 - 3-1/2	23	0.59	5.22	17.42	10.259806	12.740194	4.372280	0.446079
3-11/16 - 4	23	0.68	5.942	15.50	10.231809	12.768191	4.315984	0.444861
4-7/16 - 4-1/2	26	0.68	6.983	18	11.796028	14.203972	5.090519	0.453693
4-15/16 - 5	24	0.81	7.537	16.42	10.762960	13.237040	4.603028	0.448457
5-7/16 - 6	24	0.93	9.123	17.33	10.832249	13.167751	4.858391	0.451344
6-1/2 - 7	29	0.93	10.19	19.23	13.250482	15.749518	5.437812	0.456913
7-15/16 - 8	27	1.12	11.471	12.42	12.212741	14.787259	5.074422	0.452324
8-1/2 - 10	41	0.87	13.979	16.40	19.276067	21.723933	8.005271	0.470148
11 - 12	37	1.20	16.061	12.50	17.150534	19.849466	6.656476	0.463528

$$\text{Cup Frequency} = N * \text{RPM} * (1 - (\text{Bd} * \cos a / \text{Pd})) / 120$$

$$\text{Cone Frequency} = N * \text{RPM} * (1 + (\text{Bd} * \cos a / \text{Pd})) / 120$$

$$\text{Roller Spin Frequency} = \text{Pd} * \text{RPM} * (1 - (\text{Bd} * \cos a / \text{Pd})^2) / (120 * \text{Bd})$$

$$\text{Cage Frequency} = \text{RPM} * (1 - (\text{Bd} * \cos a / \text{Pd})) / 120$$

Pd = Pitch Diameter

N = Number of rollers

Bd = Roller Diameter

a = Cup Angle (contact angle)

**Table 6: All Steel Tapered Roller Bearing Parameters For Vibration Analysis (1-RPS)**

Bore Size	# Rollers Per Row	Mean Diameter of Rollers	Pitch Diameter	Contact Angle	Cup Frequency Hz	Cone Frequency Hz	* Roller Spin Frequency Hz	Cage Frequency Hz
2-11/16 - 3	27	0.36	4.114	15.50	12.361632	14.638368	5.673261	0.457838
3-1/4 - 3-1/2	26	0.51	5.120	17.57	11.765488	14.234512	4.974342	0.452519
3-15/16 - 4	33	0.48	5.814	12.50	15.170061	17.829939	6.016904	0.459699
4-7/16 - 4-1/2	29	0.60	6.503	12.92	13.196026	15.803974	5.375340	0.455035
4-15/16 - 5	32	0.61	7.355	12.50	14.704466	17.295534	5.989163	0.459515
5-7/16	27	0.84	8.272	12	12.159067	14.840933	4.875231	0.450336
5-15/16 - 6	26	0.85	8.323	12	11.701366	14.298634	4.847026	0.450053
6-7/16 - 7	32	0.81	9.748	12.50	14.702011	17.297989	5.977683	0.459438
7-1/2 - 8	27	1.12	11.471	12.42	12.212741	14.787259	5.074422	0.452324
9 - 10	32	1.28	14.026	12.03	14.571921	17.428079	5.435259	0.455373

$$\text{Cup Frequency} = N * \text{RPM} * (1 - (\text{Bd} * \cos a / \text{Pd})) / 120$$

$$\text{Cone Frequency} = N * \text{RPM} * (1 + (\text{Bd} * \cos a / \text{Pd})) / 120$$

$$\text{Roller Spin Frequency} = \text{Pd} * \text{RPM} * (1 - (\text{Bd} * \cos a / \text{Pd})^2) / (120 * \text{Bd})$$

$$\text{Cage Frequency} = \text{RPM} * (1 - (\text{Bd} * \cos a / \text{Pd})) / 120$$

Pd = Pitch Diameter

N = Number of rollers

Bd = Roller Diameter

a = Cup Angle (contact angle)

**\* Note:** Ball and Roller Spin Frequencies are listed at one (1X) roller spin frequency. For thorough analysis it is important to check frequency level at two (2X) rotational speed of balls or rollers as this is the frequency that a single ball/roller defect will contact the raceways of the bearing. In other words, a ball/roller defect will strike both inner and outer ring in one revolution of the roller.

**Table 7: Spherical Roller Bearing Parameters for Vibration Analysis (1-RPS)**

Basic Bearing Series	USAF/SAF-XT Bore Sizes (in)	S2000 Unisphere II Bore Sizes (in)	Imperial Bore Sizes (in)	# Rollers Per Row	Diameter of Rollers	Pitch Diameter	Contact Angle	Outer Ring Frequency Hz	Inner Ring Frequency Hz	* Roller Spin Frequency Hz	Cage Frequency Hz
22207E1ASKM				15	0.3937	2.166	11.750	6.165339	8.834661	2.663713	0.411023
22208E1ASKM		1-3/8 - 1-1/2	1-1/8 - 1-1/2	15	0.4488	2.449	10.583	6.148942	8.851058	2.639849	0.409929
22209E1ASKM	1-7/16	1-11/16 - 1-3/4	1-5/8 - 1-3/4	17	0.4291	2.665	9.750	7.151157	9.848843	3.027139	0.420656
22210E1ASKM	1-11/16	1-15/16 - 2	1-7/8 - 2	18	0.4331	2.858	9.083	7.653247	10.346753	3.225588	0.425180
22211E1ASKM	1-15/16	2-3/16	2-3/16 - 2-1/4	19	0.4646	3.189	8.750	8.132069	10.867931	3.360826	0.428004
22213E1ASKM	2-3/16	2 -7/16	2-3/8 - 2-1/2	18	0.5827	3.795	9.083	7.635432	10.364568	3.181534	0.424191
22215E1ASKM	2-7/16 - 2-1/2	2-11/16 - 3	2-11/16 - 3	20	0.5748	4.197	8.250	8.644623	11.355377	3.583768	0.432231
22216E1ASKM	2-11/16 - 2-3/4			19	0.6535	4.48	8.167	8.128283	10.871717	3.356234	0.427804
22217E1ASKM	2-15/16 - 3			18	0.7323	4.764	8.417	7.631462	10.368538	3.177554	0.423970
22218E1ASKM	3-3/16	3-7/16	3-3/16 - 3-1/2	18	0.7795	5.079	8.833	7.635107	10.364893	3.182930	0.424173
22220E1ASKM	3-7/16 - 3-1/2	3-15/16 - 4	3-11/16 - 4	18	0.878	5.705	9.000	7.631952	10.368048	3.173794	0.423997
22222E1ASKM	3-15/16 - 4	4-7/16	4-7/16 - 4-1/2	17	1.0197	6.287	9.417	7.139947	9.860053	3.003844	0.419997
22224E1ASKM	4-3/16			18	1.0472	6.819	9.417	7.636487	10.363513	3.181095	0.424249
22226E1ASKM	4-7/16 - 4-1/2	4-15/16	4-15/16 - 5	18	1.1181	7.307	9.750	7.642733	10.357267	3.193282	0.424596
22228E1ASKM	4-15/16 - 5		5-7/16 - 5-1/2	18	1.2165	7.933	9.583	7.639139	10.360861	3.186035	0.424397
22230E1ASKM	5-3/16			18	1.315	8.559	9.500	7.636209	10.363791	3.179646	0.424234
22232E1ASKM	5-7/16 - 5-1/2		5-15/16 - 6	18	1.4094	9.189	9.667	7.639189	10.360811	3.185371	0.424399
22234E1ASKM	5-15/16 - 6			17	1.5827	9.74	9.833	7.139085	9.860915	2.998143	0.419946
22236E1ASKM	6-7/16 - 6-1/2		6-7/16 - 7	18	1.5591	10.157	9.417	7.637116	10.362884	3.182632	0.424284
22238E1ASKM	6-15/16 - 7			20	1.4961	10.669	10.667	8.621944	11.378056	3.497892	0.431097
22240E1ASKM	7-3/16			19	1.6142	11.021	10.833	8.133372	10.866628	3.343119	0.428072
22244E1ASKM	7-1/2 - 8			19	1.8504	12.48	10.833	8.116546	10.883454	3.300728	0.427187
23048KMB	8-7/16 - 9			29	1.1417	12.008	9.333	13.139616	15.860384	5.212536	0.453090
23052KMB	9-7/16 - 9-1/2			27	1.378	13.228	9.667	12.113633	14.886367	4.749092	0.448653
23056KMB	9-15/16 - 10-1/2			28	1.378	13.976	9.333	12.637908	15.362092	5.023115	0.451354

Outer Ring Frequency =  $N * RPM * (1 - (Bd * \cos a / Pd)) / 120$

Inner Ring Frequency =  $N * RPM * (1 + (Bd * \cos a / Pd)) / 120$

Roller Spin Frequency =  $Pd * RPM * (1 - (Bd * \cos a / Pd)^2) / (120 * Bd)$

Cage Frequency =  $RPM * (1 - (Bd * \cos a / Pd)) / 120$

Pd = Pitch Diameter

N = Number of rollers

Bd = Roller Diameter

a = Contact Angle

**\* Note:** Ball and Roller Spin Frequencies are listed at one (1X) roller spin frequency. For thorough analysis it is important to check frequency level at two (2X) rotational speed of balls or rollers as this is the frequency that a single ball/roller defect will contact the raceways of the bearing. In other words, a ball/roller defect will strike both inner and outer ring in one revolution of the roller.

**Table 8: DODGE USAF Air Handling Spherical Roller Bearing Parameters For Vibration Analysis (1-RPS)**

Bore Size	Basic Bearing Series	# Rollers Per Row	Diameter of Rollers	Pitch Diameter	Contact Angle	Outer Ring Frequency Hz	Inner Ring Frequency Hz	* Roller Spin Frequency Hz	Cage Frequency Hz
1-7/16	22209E1K	17	0.3937	2.5976	10.0000	7.231287	9.768713	3.225462	0.425370
1-11/16	22210E1K	19	0.3937	2.7976	9.2500	8.180471	10.819529	3.484413	0.430551
1-15/16	22211E1K	18	0.4528	3.0921	8.9200	7.698000	10.302000	3.342963	0.427667
2-3/16	22213E1K	19	0.5315	3.7110	9.2500	8.157076	10.842924	3.421302	0.429320
2-7/16 - 2-1/2	22215E1K	21	0.5315	4.1098	8.3300	9.156413	11.843587	3.802922	0.436020
2-11/16 - 2-3/4	22216E1K	20	0.5709	4.3638	8.2500	8.705275	11.294725	3.757794	0.435264
2-15/16 - 3	22217E1K	20	0.6299	4.6811	8.5000	8.669157	11.330843	3.649937	0.433458
3-3/16	22218E1K	20	0.6693	4.9602	8.8300	8.666651	11.333349	3.639636	0.433333
3-7/16 - 3-1/2	22220E1K	19	0.7677	5.5606	9.0000	8.204572	10.795428	3.554256	0.431820
3-15/16 - 4	22222E1K	19	0.8661	6.1559	9.4200	8.181428	10.818572	3.485342	0.430601
4-3/16	22224E1K	19	0.9252	6.6382	9.5800	8.194401	10.805599	3.519683	0.431284
4-7/16 - 4-1/2	22226E1K	19	0.9843	7.1358	9.9200	8.209178	10.790822	3.557887	0.432062
4-15/16 - 5	22228E1K	19	1.0630	7.7232	9.6700	8.211024	10.788976	3.565861	0.432159

Outer Ring Frequency =  $N * RPM * (1 - (Bd * \cos a / Pd)) / 120$

Inner Ring Frequency =  $N * RPM * (1 + (Bd * \cos a / Pd)) / 120$

Roller Spin Frequency =  $Pd * RPM * (1 - (Bd * \cos a / Pd)^2) / (120 * Bd)$

Cage Frequency =  $RPM * (1 - (Bd * \cos a / Pd)) / 120$

Pd = Pitch Diameter

N = Number of rollers

Bd = Roller Diameter

a = Contact Angle

**\* Note:** Ball and Roller Spin Frequencies are listed at one (1X) roller spin frequency. For thorough analysis it is important to check frequency level at two (2X) rotational speed of balls or rollers as this is the frequency that a single ball/roller defect will contact the raceways of the bearing. In other words, a ball/roller defect will strike both inner and outer ring in one revolution of the roller.



**Table 9: Split-Spherical Roller Bearing Parameters For Vibration Analysis**

Bore Size	Basic Bearing Series	# Rollers Per Row	Diameter of Rollers	Pitch Diameter	Contact Angle	Outer Ring Frequency Hz	Inner Ring Frequency Hz	* Roller Spin Frequency Hz	Cage Frequency Hz
2-3/16	22213SS	17	0.559	3.414	9.000	7.125120	9.874880	2.973241	0.419125
2-7/16	22215SS	18	0.551	3.748	9.083	7.693012	10.306988	3.328155	0.427390
2-11/16	22216SS	19	0.579	3.950	8.667	8.124082	10.875918	3.341232	0.427583
2-15/16	22217SS	20	0.575	4.153	8.250	8.630263	11.369737	3.544783	0.431513
3-3/16	22218SS	19	0.654	4.435	8.167	8.114365	10.885635	3.321078	0.427072
3-7/16	22220SS	18	0.780	5.079	8.833	7.635107	10.364893	3.182930	0.424173
3-15/16 - 4	22222SS	18	0.878	5.634	9.000	7.614712	10.385288	3.132415	0.423040
4-3/16	22224SS	17	1.110	6.203	9.417	6.999864	10.000136	2.707845	0.411757
4-7/16 - 4-1/2	22226SS	18	1.047	6.727	9.417	7.617839	10.382161	3.136146	0.423213
4-15/16	22228SS	18	1.118	7.202	9.750	7.622945	10.377055	3.145244	0.423497
5-3/16	22230SS	18	1.217	7.822	9.583	7.619828	10.380172	3.139355	0.423324
5-7/16	22232SS	18	1.315	8.442	9.500	7.617307	10.382693	3.134123	0.423184
5-15/16 - 6	22234SS	18	1.409	9.059	9.667	7.619661	10.380339	3.138182	0.423314
6-7/16 - 6-1/2	22236SS	18	1.409	9.059	9.667	7.619661	10.380339	3.138182	0.423314
6-15/16 - 7	22238SS	18	1.559	10.021	9.417	7.618619	10.381381	3.138004	0.423257
7-3/16	22240SS	16	1.579	10.716	9.417	6.837308	9.162692	3.322243	0.427332
7-1/2 - 8	22244SS	16	1.752	11.257	9.500	6.771984	9.228016	3.136916	0.423249
8-1/2 - 9	23048SS	20	1.307	11.189	8.083	8.843406	11.156594	4.222831	0.442170
9-1/2	23052SS	22	1.339	11.949	8.417	9.780985	12.219015	4.408432	0.444590
10	23056SS	20	1.539	13.175	8.667	8.844916	11.155084	4.222170	0.442246

Outer Ring Frequency =  $N * RPM * (1 - (Bd * \cos a / Pd)) / 120$

Inner Ring Frequency =  $N * RPM * (1 + (Bd * \cos a / Pd)) / 120$

Roller Spin Frequency =  $Pd * RPM * (1 - (Bd * \cos a / Pd)^2) / (120 * Bd)$

Cage Frequency =  $RPM * (1 - (Bd * \cos a / Pd)) / 120$

Pd = Pitch Diameter

N = Number of rollers

Bd = Roller Diameter

a = Contact Angle

**\* Note:** Ball and Roller Spin Frequencies are listed at one (1X) roller spin frequency. For thorough analysis it is important to check frequency level at two (2X) rotational speed of balls or rollers as this is the frequency that a single ball/roller defect will contact the raceways of the bearing. In other words, a ball/roller defect will strike both inner and outer ring in one revolution of the roller.

**Table 10: USDAF Spherical Roller Bearing Parameters For Vibration Analysis (1-RPS)**

Bore Size	Basic Bearing Series	# Rollers Per Row	Diameter of Rollers	Pitch Diameter	Contact Angle	Outer Ring Frequency Hz	Inner Ring Frequency Hz	* Roller Spin Frequency Hz	Cage Frequency Hz
10-15/16 - 11	23060K	27	1.575	15.066	9.5	12.108065	14.891935	4.732011	0.448447
11-7/16 - 12	23064K	28	1.575	15.85	9.333	12.627248	15.372752	4.983368	0.450973
12-7/16 - 12-1/2	23068K	27	1.732	17.007	9.5	12.144010	14.855990	4.860109	0.449778
12-15/16 - 13-1/2	23072K	28	1.732	17.793	9.333	12.655257	15.344743	5.089157	0.451973
13-15/16 - 14	23076K	30	1.732	18.587	9	13.619458	16.380542	5.320311	0.453982
15	23080K	29	1.929	19.822	9.167	13.106938	15.893062	5.090472	0.451963
15-3/4	23084K	30	1.929	20.609	9	13.613287	16.386713	5.296232	0.453776
9-7/16 - 9-1/2	23152K	23	1.693	13.914	12.5	10.133894	12.866106	4.051285	0.440604
10-7/16 - 10-1/2	23156K	24	1.732	14.711	12	10.618053	13.381947	4.190502	0.442419
10-15/16 - 11	23160K	23	1.89	15.923	12.333	10.166494	12.833506	4.155793	0.442021
11-15/16 - 12	23164K	23	2.087	17.044	12.833	10.127024	12.872976	4.025170	0.440305
12-7/16 - 12-1/2	23168K	23	2.244	18.272	12.833	10.122953	12.877047	4.012925	0.440128
13-7/16 - 13-1/2	23172K	24	2.244	19.077	12.333	10.621032	13.378968	4.194537	0.442543
13-15/16 - 14	23176K	25	2.323	19.833	12	11.067894	13.932106	4.212801	0.442716
8-15/16 - 9	23248K	20	1.929	13.523	14	8.615913	11.384087	3.438035	0.430796
9-7/16 - 9-1/2	23252K	19	2.126	14.745	14	8.170935	10.829065	3.399907	0.430049
10-7/16 - 10-1/2	23256K	20	2.126	15.537	13.583	8.669925	11.330075	3.589401	0.433496
10-15/16 - 11	23260K	20	2.323	16.706	13.833	8.649811	11.350189	3.530230	0.432491
11-15/16 - 12	23264K	20	2.441	17.878	14	8.675192	11.324808	3.597751	0.433760
12-7/16 - 12-1/2	23268K	20	2.638	19.048	14.167	8.657198	11.342802	3.545213	0.432860

Outer Ring Frequency =  $N * RPM * (1 - (Bd * \cos a / Pd)) / 120$   
 Inner Ring Frequency =  $N * RPM * (1 + (Bd * \cos a / Pd)) / 120$   
 Roller Spin Frequency =  $Pd * RPM * (1 - (Bd * \cos a / Pd)^2) / (120 * Bd)$   
 Cage Frequency =  $RPM * (1 - (Bd * \cos a / Pd)) / 120$

Pd = Pitch Diameter  
 N = Number of rollers  
 Bd = Roller Diameter  
 a = Contact Angle

**\* Note:** Ball and Roller Spin Frequencies are listed at one (1X) roller spin frequency. For thorough analysis it is important to check frequency level at two (2X) rotational speed of balls or rollers as this is the frequency that a single ball/roller defect will contact the raceways of the bearing. In other words, a ball/roller defect will strike both inner and outer ring in one revolution of the roller.

## Mounted Bearings Life Adjustment Factor

**1.1 GENERAL.** For certain applications, it is desirable to specify life for reliability other than 90%. In such cases a life adjustment factor for reliability may be applied to the RATING LIFE. Section 1.2 discusses life adjustment factors for reliability.

Some bearing steels; e.g., vacuum-melted steels, and improved processing techniques, permit manufacture of bearings which offer endurance greater than that calculated by the RATING LIFE formula. Section 1.3 recommends methods to incorporate life adjustment factors for bearing materials into the life formula.

Bearing life calculated according to the RATING LIFE formula assumes proper application conditions. If lubrication is not adequate, loading unusual, or temperatures extreme, the ability of the bearing to attain or exceed the RATING LIFE is seriously impaired. Section 1.4 contains some basic recommendations concerning the effect of unusual application conditions on bearing life.

**1.2 LIFE ADJUSTMENT FACTOR FOR RELIABILITY.** Bearing life estimated in accordance with this standard is RATING LIFE; i.e., the life associated With 90% reliability or the life which 90% of a group of apparently identical bearings in a given application under similar conditions of load and speed will complete or exceed. While RATING LIFE has proven useful over a period of years as a criterion of performance, some applications require definition of life at reliabilities greater than 90%.

To determine bearing life with reliabilities other than 90% (as previously calculated in the Selection Procedure) the  $L_{10}$  must be adjusted by factor  $a_1$ , such that  $L_n = a_1 \times L_{10}$ .

The life adjustment factors for reliability from Table 11 are recommended.

**Table 11: Life Adjustment Factors For Reliability**

Reliability %	$L_n$	Life Adjustment Factor for Reliability $a_1$
90	L10	1
95	L5	0.62
96	L4	0.53
97	L3	0.44
98	L2	0.33
99	L1	0.21

**1.3 LIFE ADJUSTMENT FACTOR FOR MATERIAL.** For bearings, which incorporate improved materials and processing, the  $L_{10}$  (as previously calculated in the Selection Procedure) must be adjusted by factor  $a_2$ . Factor  $a_2$  depends upon steel analysis, metallurgical processing, forming methods, heat treatment and manufacturing methods in general.

Bearings fabricated from consumable vacuum remelted steels and certain other special analysis steels have demonstrated extraordinarily long endurance. These steels are of exceptionally high quality, and bearings fabricated from these are usually considered special manufacture. As such,  $a_2$  values will not be specified for such steels in this discussion. Generally,  $a_2$  values for such steels can be obtained from the bearing manufacturer.

## ENGINEERING/TECHNICAL



**1.4 LIFE ADJUSTMENT FACTOR FOR APPLICATION CONDITIONS.** Application conditions which affect bearing life include:

1. Lubrication.
2. Load distribution (including effects of clearance, misalignment, housing, and shaft stiffness, type of loading and thermal gradients).
3. Temperature.  
Consideration of (1.2) and (1.3) above requires analytical and experimental techniques beyond the scope of this discussion, therefore, the user should consult the bearing manufacturer for evaluations and recommendations.

In most bearing applications, lubrication serves to separate the rolling surfaces; i.e., rolling elements and raceways; to reduce retainer-rolling elements and retainer-land friction and sometimes to act as a coolant to remove frictional heat generated by the bearing.

If all limitations and qualifications specified by this discussion are observed, then the life adjustment application factor for bearings which are adequately lubricated is 1; i.e.,  $a_3=1$ .

Operating conditions where  $a_3$  might be less than 1 include:

- a) exceptionally low values of Ndm (rpm times bore diameter in mm); e.g., Ndm 1000.
- b) Lubricant viscosity less than 20.4 centistokes (100 SUS) at operating temperature.
- c) Excessively high operating temperatures.  
When  $a_3$  is less than 1, it may not be assumed that the deficiency in lubrication can be overcome by using an improved steel.

**1.5 FACTOR COMBINATIONS.** A fatigue life formula including the life adjustment factors is:

Ball Bearings:

$$L_n = a_1 \times a_2 \times a_3 \left( \frac{C^*}{P} \right)^3 \times \frac{(16.667)}{\text{RPM}}$$

Tapered Roller Bearings:

$$L_n = a_1 \times a_2 \times a_3 \left( \frac{C_{90}^*}{P} \right)^{10/3} \times \frac{(1,500,000)}{\text{RPM}}$$

Spherical Roller Bearings:

$$L_n = a_1 \times a_2 \times a_3 \left( \frac{C^*}{P} \right)^{10/3} \times \frac{(16.667)}{\text{RPM}}$$

Indiscriminate application of the life adjustment factors in this formula may lead to serious over-estimation of bearing endurance, since fatigue life is only one criterion for bearing selection.

Care must be exercised to select bearings which are of sufficient size for the application. Undersizing of shaft and housing structures by using bearings which appear adequate from a life standpoint could lead to misalignment and fitting problems which could invalidate the formulas in this discussion.

\* C = Basic Load Rating computed in accordance with ABMA-ANSI Standards.  
C90 = C x .259

## V-Belt Drive Formulas

**V-belt tensioning** In cases where tensioning of a drive effects belt pull and bearing loads, the following formulas may be used.

$$T1 - T2 = 33,000 \left( \frac{HP}{V} \right)$$

where: T1 = tight side tension, pounds  
 T2 = slack side tension, pounds  
 HP = design horsepower  
 V = belt speed, feet per minute

$$T1 + T2 = 33,000 (2.5 - G) \left( \frac{HP}{GV} \right)$$

where: T1 = tight side tension, pounds  
 T2 = slack side tension, pounds  
 HP = design horsepower  
 V = belt speed, feet per minute\*  
 G = arc of contact correction factor\*

$$T1/T2 = \frac{1}{1 - 0.8G} \quad (\text{Also } T1/T2 = e^{K\theta})$$

where: T1 = tight side tension, pounds  
 T2 = slack side tension, pounds  
 G = arc of contact correction factor\*  
 e = base of natural logarithms  
 K = .51230, a constant for V-belt drive design  
 $\theta$  = arc of contact in radians

$$T1 = 41,250 (HP/GV)$$

where: T1 = tight side tension, pounds  
 HP = design horsepower  
 V = belt speed, feet per minute  
 G = arc of contact correction factor

$$T2 = 33,000 (1.25 - G) (HP/GV)$$

where: T2 = slack side tension, pounds  
 HP = design horsepower  
 V = belt speed, feet per minute  
 G = arc of contact correction factor

### Belt Speed

$$V = \frac{(PD) (RPM)}{3.82} = (PD) (rpm) (.262)$$

where: V = belt speed, feet per minute  
 PD = pitch diameter of sheave or pulley  
 rpm = revolutions per minute of the same sheave or pulley

\* See Table 12 at left

**Table 12: Arc of Contact Correction Factor G**

D-d C	Small Sheave Arc of Contact	Factor G	D-d C	Small Sheave Arc of Contact	Factor G
.00	180°	1.00	.80	133°	.87
.10	174°	.99	.90	127°	.85
.20	169°	.97	1.00	120°	.82
.30	163°	.96	1.10	130°	.80
.40	157°	.94	1.20	106°	.77
.50	151°	.93	1.30	99°	.73
.60	145°	.91	1.40	91°	.70
.70	139°	.89	1.50	83°	.65

D = Diam. of large sheave. d = Diam. of small sheave  
 C = Center distance

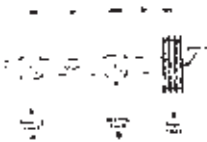
**Table 13: Allowable Sheave Rim Speed**

Sheave Material	Rim Speed in Feet per Minute
Cast Iron	6,500
Ductile Iron	8,000
Steel	10,000

**NOTE:** Above rim speed values are maximum for normal considerations. In some cases these values may be exceeded. Consult factory and include complete details of proposed application.

## Bearing Load Calculations

To find actual bearing loads, it is necessary to know machine component weights and values of all other forces contributing to the load. Sometimes it becomes desirable to know the bearing load



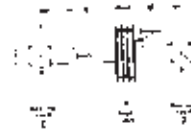
**Overhung Sheave**

$$\text{Load at B, lbs.} = \frac{\text{Shaft Load} \times (a + b)}{a}$$

$$\text{Load at A, lbs.} = \text{Shaft Load} \times \frac{b}{a}$$

Where: a and b = Spacing, inches

imposed by the V-belt drive alone. This can be done if you know bearing spacing with respect to the sheave center and shaft load and apply it to the following formulas:



**Sheave Between Bearings**

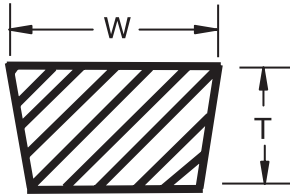
$$\text{Load at D, lbs.} = \frac{\text{Shaft Load} \times c}{c + d}$$

$$\text{Load at C, lbs.} = \frac{\text{Shaft Load} \times d}{c + d}$$

Where: c and d = Spacing, inches

**Nominal V-Belt Cross Sections**

**Table 14: Nominal V-Belt Cross Sections**



Belt Section	Industry Standard Description	Width W, in Inches	Thickness T, in Inches
3L	FHP, Single	3/8	7/32
4L		1/2	5/16
5L		21/32	3/8
3V	Narrow	3/8	5/16
5V		5/8	17/32
8V		1	29/32
A	Classical Multiple	1/2	5/16
B		21/32	13/32
C		7/8	17/32
D		1-1/4	3/4

Pulley Dia. Inches	FPM												
	100	150	200	250	300	350	400	500	600	700	800	900	1000
6	64	95	127	159	191	223	254	318	382	445	509	573	636
8	48	72	95	119	143	167	191	239	286	334	382	429	477
10	38	57	76	95	115	134	153	191	229	267	305	344	382
12	32	48	64	80	95	111	127	159	191	223	254	286	318
14	27	41	55	68	82	95	109	136	164	191	218	245	273
16	24	36	48	60	72	83	95	119	143	167	191	215	239
18	21	32	42	53	64	74	85	106	127	148	170	191	212
20	19	29	38	48	57	67	76	95	115	134	153	172	191
24	16	24	32	40	48	56	64	80	95	111	127	143	159
30	13	19	25	32	38	45	51	64	76	89	102	115	127
36	11	16	21	27	32	37	42	53	64	74	85	95	106
42	9	14	18	23	27	32	36	45	55	64	73	82	91
48	8	12	16	20	24	28	32	40	48	56	64	72	80
54	7	11	14	18	21	25	28	35	42	49	57	64	71
60	6	10	13	16	19	22	25	32	38	45	51	57	64

For values not shown use formula below:

SFM = 2618 x D x RPM

SFM = Surface feet Per Minute

D = Pulley Diameter, Inches

RPM = Revolutions per Minute

**Table 15: Material Characteristics**

MATERIAL	DENSITY (LB/FT <sup>3</sup> )	ANGLE OF REPOSE (DEG)	RECOMMENDED MAXIMUM INCLINATION (DEG)
Alfalfa, Ground	16	45°	
Alum, Lumpy	50 - 60	35°	
Alum, Pulverized	45 - 50	35°	
Alumina	60	30°	10-12
Aluminum Oxide	70 - 120	30°	
Ammonium Sulphate	45 - 60	45°	
Asbestos, Shredded	20 - 25	45°	
Ashes, Dry	35 - 40	45°	
Ashes, Wet	45 - 50	45°	
Ashes, Soft Coal	35 - 45	40°	
Asphalt, Crushed	45	35°	
Bagasse	7.50	45°	
Bakelite, Powder	30 - 40	45°	
Baking Powder	40 - 50	35°	
Bark, Wood Refuse	10 - 20	45°	27
Barley	38	25°	10-15
Basalt	80 - 120	25°	
Bauxite, Crushed	75 - 85	35°	20
Beans, Castor, Whole	30 - 45	25°	8-10
Beans, Cocoa	30 - 45	35°	
Beans, Navy	50	25°	
Beans, Whole	45	45°	
Bentonite, Crude	35 - 40	45°	
Bentonite, Fine	50 - 60	45°	
Bones, Pulverized	50 - 60	45°	
Borax, Fine	50 - 55	35°	
Borax Coarse	60 - 70	35°	
Bran	16	35°	
Brewers Grain, Dry	25 - 35	45°	
Brewers Grain, Wet	55 - 60	45°	
Buck Wheat	40	25°	11-13
Calcium, Carbide	70 - 80	35°	
Carbon Black, Pellets	25	25°	
Carbon Black, Powder	5	35°	
Cast Iron Chips	100 - 120	45°	
Cement, Clinker	75 - 90	35°	
Cement, Portland	80 - 100	35°	20-23
Chalk, Fine	65 - 75	45°	
Chalk, Lumpy	80 - 95	45°	
Charcoal, Wood	15 - 30	35°	20-25
Chromium Ore	125 - 140	35°	
Cinders, Coal	40	35°	20
Clay, Dry, Fine	100 - 120	35°	20-22
Clay, Dry, Lumpy	60 - 75	35°	18-20
Coal, Anthracite, Coarse	60 - 70	35°	18
Coal, Anthracite, Loose	50 - 60	30°	16
Coal, Bituminous, Coarse	50 - 60	35°	18
Coal, Bituminous, Loose	45 - 50	35°	16
Cocoa Nibs	35 - 40	35°	
Coconut, Shredded	20 - 25	45°	
Coffee, Fresh Beans	30 - 40	35°	10-15
Coffee, Roasted Beans	22 - 30	25°	
Coke, Loose	23 - 32	35°	18
Coke Pulverized	25 - 35	45°	20-22
Coke, Petroleum Calcinated	35 - 45	35°	20
Concrete, Cinder	112	0°	12-30
Concrete, Gravel & Sand	150	0°	
Copper Ore	120 - 150	35°	20
Copper Sulfate	75 - 85	30°	17
Cork, Ground	5 - 15	45°	
Corn, On Cob	45	0°	

MATERIAL	DENSITY (LB/FT <sup>3</sup> )	ANGLE OF REPOSE (DEG)	RECOMMENDED MAXIMUM INCLINATION (DEG)
Corn, Shelled	45	25°	10
Corn Sugar	30	35°	
Corn Grits	40 - 45	35°	
Cornmeal	32 - 40	35°	22
Cottonseed, Dry, De-Linted	35	35°	16
Cottonseed, Dry, Not De-Linted	18 - 25	45°	19
Cottonseed, Cake, Lumpy	40 - 45	35°	
Cottonseed, Hulls	12	45°	
Cottonseed, Meal	35 - 40	35°	22
Cottonseed, Meats	40	35°	
Cryolite	90 - 110	35°	
Cullet	80 - 120	35°	20
Diatomaceous Earth	11 - 14	35°	
Dolomite, Lumpy	90 - 100	35°	22
Dolomite, Pulverized	46	40°	
Earth, Dry*	70 - 80	35°	20
Earth, Moist	75 - 110	40°	23
Earth, Fullers Dry	30 - 35	23°	20
Emery	225	25°	
Epsom Salt	40 - 50	35°	
Feldspar, Lumps	70 - 100	35°	17
Feldspar, Dust	80 - 100	40°	
Fish, Meal	35 - 40	40°	
Fish, Scrap	40 - 50	0°	
Flaxseed, Whole	45	25°	12
Flaxseed, Meal	25	35°	
Flour, Wheat	35 - 40	45°	21
Flue Dust, Dry	30 - 40	20°	
Fluorspar, Dust	85 - 95	45°	
Fluorspar, Lumps	80 - 110	45°	
Foundry, Refuse	60 - 80	35°	
Foundry Sand, Loose	80 - 90	35°	
Foundry Sand, Rammed	100 - 110	0°	
Galena	250	35°	
Garbage, Average	30	25°	
Glass, Batch Fiber	45 - 55	10°	
Glass, Batch Wool	80 - 100	35°	20-22
Glass, Broken	80 - 100	10°	
Glue, Animal, Flaked	35	25°	
Glue, Vegetable, Powdered	40	35°	
Gluten, Meal	39	35°	
Granite, Lumps	150 - 170	25°	
Graphite, Flakes	40	35°	
Graphite, Powder	30	25°	
Graphite, Ore	65 - 75	35°	
Grass Seed	10	35°	
Gravel, Dry	90 - 100	35°	15-17
Gravel, Wet	100 - 120	35°	
Gypsum, Lumps	90 - 100	35°	15
Gypsum, Ground	75 - 80	35°	21
Hay, Loose	5	0°	
Hay, Pressed	25	0°	
Hominy	35 - 50	35°	
Hops, Spent, Dry	25 - 35	45°	
Hops, Spent, Wet	55 - 60	45°	
Ice, Crushed	35 - 40	20°	
Ilmenite Ore	140 - 160	35°	
Iron Ore	120 - 180	35°	18-20
Iron Ore, Pellets	120 - 140	35°	13-15
Iron Sulphate	50 - 75	35°	
Iron Sulfide	120 - 140	35°	

**Table 16: Material Characteristics**

MATERIAL	DENSITY (LB/IT3)	ANGLE OF REPOSE (DEG)	RECOMMENDED MAXIMUM INCLINATION (DEG)
Kaolin, Clay	60	35°	19
Lactose	30	35°	
Lead Ore, Crushed	180 - 270	30°	
Lead Oxides	60 - 150	40°	
Lead Sulfate	170 - 190	45°	
Lead Sulfide	240 - 260	35°	
Lignite, Air Dried	45 - 55	35°	
Lime, Ground	60 - 65	40°	23
Lime, Hydrated	40	40°	21
Lime, Pebble	30 - 40	40°	17
Limestone, Loose	80 - 100	35°	20
Limestone, Pulverized	85 - 90	45°	18
Linseed, Whole	45 - 50	25°	
Linseed, Meal	30 - 40	35°	20
Magnesium Chloride	30 - 35	40°	
Magnesium Sulfate	40 - 60	35°	
Malt, Dry	25 - 30	30°	
Malt, Wet	60 - 65	45°	
Malt, Meal	35 - 40	35°	
Manganese Ore	125 - 140	40°	
Manganese Oxide	120	35°	
Manganese Sulfate	70	35°	
Manure	25	0°	
Marble, Crushed	80 - 95	35°	
Marl	80	35°	
Mica, Flakes	20	20°	
Mica, Ground	15	35°	23
Milk, Dried, Flaked	5	35°	
Milk, Malted	25 - 35	45°	
Milk, Powdered	20 - 30	40°	
Milo Maize	55 - 60	35°	
Molybdenum Ore	100 - 110	40°	
Mortar, Wet	150	0°	
Niacin	35	35°	
Nickel-Cobalt Sulfate Ore	80 - 150	35°	
Oats	25 - 35	25°	10
Oats, Rolled	20	35°	
Oil Cake	50	45°	
Oxalic Acid Crystals	60	35°	
Oyster Shells, Ground	50 - 60	35°	
Oyster Shells, Whole	80	35°	
Paper Pulp Stock	40 - 60	20°	
Peanuts, Shelled	35 - 45	35°	
Peanuts, Not Shelled	15 - 20	35°	
Peas, Dried	45 - 50	0°	
Phosphate, Fertilizer	50 - 60	35°	30
Phosphate, Rock, Crushed	60 - 100	35°	25
Potash	70 - 80	30°	
Potassium Chloride	120 - 130	35°	
Potassium Nitrate	75 - 80	25°	
Potassium Sulfate	45	45°	
Potatoes, White"	48	0°	
Pumice, Ground	40 - 45	45°	
Pyrites, Lumps	135 - 145	25°	
Pyrites, Pellets	120 - 130	35°	
Quartz, Lumps	95 - 100	25°	
Quartz, Sand	70 - 80	25°	
Rice, Hulled	45 - 50	20°	8
Rice, Rough	35	35°	
Rice, Grits	40 - 45	35°	
Rock, Crushed	100 - 150	30°	

MATERIAL	DENSITY (LB/IT3)	ANGLE OF REPOSE (DEG)	RECOMMENDED MAXIMUM INCLINATION (DEG)
Rubber, Pellets	50 - 55	35°	22
Rubber, Ground Scrap	25 - 35	45°	18
Rye	42 - 45	25°	8
Rye Meal	35 - 40	20°	
Salt Cake	80 - 95	30°	21
Salt, Coarse"	45 - 55	35°	18-22
Salt, Fine"	70 - 80	35°	11
Sand, Wet	110 - 130	45°	20-22
Sand, Dry	90 - 110	35°	16-18
Sand, Loose, Foundry	80 - 100	35°	22
Sand, Foundry, Rammed	100 - 110	0°	24
Sandstone	80 - 90	35°	
Sawdust	10 - 25	30°	22
Scale, Rolling Mill	125 - 160	45°	
Sewage Sludge, Dry	45 - 55	35°	
Sewage Sludge, Wet	50 - 60	35°	
Shale, Broken	90 - 100	25°	
Shale, Crushed	85 - 90	40°	22
Silica Gel, Dry	45	35°	
Slag, Blast Furnace	80 - 90	25°	10
Slag, Granular, Dry	60 - 65	25°	13-16
Slag, Granular, Wet	90 - 100	45°	20-22
Slate, Ground	80 - 90	30°	15
Slate, Lumps	85 - 95	0°	
Snow, Compacted	15 - 50	0°	
Soap	10 - 25	35°	
Soda Ash, Briquettes	50	20°	7
Soda Ash, Heavy	55 - 65	30°	19
Soda Ash, Light	20 - 35	35°	22
Sodium Aluminum, Ground	72	35°	
Sodium Nitrate, Ground	70 - 80	24°	11
Sodium Phosphate	50 - 65	35°	
Soybeans, Cracked	30 - 40	35°	15-18
Soybeans, Whole"	45 - 50	25°	12-16
Starch, Powdered	25 - 45	25°	12
Steel, Chips	100 - 150	35°	18
Steel, Turnings	60 - 120	45°	
Sugar, Cane, Raw	55 - 65	45°	
Sugar, Granulated, Dry	50 - 55	35°	
Sugar, Granulated, Wet	55 - 65	40°	
Sugar Cane, Knifed	15 - 18	45°	
Sulphur, Lumps	80 - 85	35°	
Sulphur, Dust	50 - 70	35°	
Saonite, Pellets	120 - 140	35°	13-15
Salc, Granulated	50 - 70	20°	
Titanium Dioxide	140	35°	
Titanium Sponge	60 - 70	45°	
Tobacco, Leaves	14	45°	
Tobacco, Scraps	15 - 25	45°	
Tobacco, Stems	15	45°	
Traprock, Crushed	95 - 110	35°	
Traprock, Lumps	100 - 110	35°	
Turf	20 - 30	0°	
Walnut, Shells	35 - 45	35°	
Wheat	48	25°	12
Wheat, Cracked	40 - 45	35°	
Wheat Germ, Dry	20 - 30	25°	27
Wood Chips	10 - 30	45°	22
Zinc Ore, Granular	160	35°	
Zinc Oxide	10 - 35	45°	



## Shafting

**Table 17: Typical Commercial Shaft Tolerances**

Shaft Size	Plus	Minus
Up to 1-1/2"	.000	.002
Over 1-1/2 to 2-1/2"	.000	.003
Over 2-1/2 to 4"	.000	.004
Over 4 to 6"	.000	.005
Over 6 to 8"	.000	.006
Over 8 to 9"	.000	.007
Over 9"	.000	.008

**Table 18: Shaft Tolerances**

Shaft Size	Tolerance, Inches
Up to 1-1/2"	+ .0000 - .0005"
1-5/8 to 4"	+ .000 - .001"
4-7/16 to 6"	+ .000 - .0015"
6-7/16 to 8"	+ .000 - .002"

Table 18 lists the recommended tolerances for all setscrew locking, eccentric locking and D-LOK locking ball and roller bearings

**Table 19: Shaft Tolerances**

Shaft Size	Tolerance, Inches
Up to 1-1/2"	+ .000 - .002"
1-9/16 to 2-1/2"	+ .000 - .003"
2-5/8 to 4"	+ .000 - .004"
4-3/16 to 6"	+ .000 - .005"
6-7/16" and above	+ .000 - .006"

Table 19 list the recommended tolerances for all tapered adapter sleeve ball and roller bearings

**Standard Shafting**-Table 17 indicates standard shafting is cold drawn in the smaller sizes and turned and polished in the larger diameters. It has a smooth surface, is commercially straight and is readily machinable; suitable and recommended for general power transmission and material handling service.

**Special Shafting**-While standard shafting is suitable for most installations, special shafting is sometimes required for certain chemical, temperature or physical requirements. Such materials as high carbon steel, alloy steel, stainless steel, brass, Monel metal, etc., can be furnished plain or heat treated. Stepped, flanged, hollow or other special forms are available.

Special shafting should be avoided in favor of standard shafting wherever possible because special shafting is usually considerably more expensive and requires a greater length of time to obtain, which is an especially important consideration should quick replacement ever become necessary.

**Ordering Shafting**-Standard shafting can be obtained from most supply houses and dealers who handle power transmission material.

**Turning Down Shaft Ends**-When necessary to turn down shaft ends, use as large a fillet as possible to keep the stress concentration to a minimum. The radius of this fillet should preferably be not less than the difference in the two diameters joined by the fillet. The fillet should be finished and polished as smoothly as possible to avoid scratches which might start cracks and lead to failure of the shaft by fatigue.

### Selection of Shaft Diameters

Tables 20 - 23 inclusive can be used to find approximate shaft diameter for various service conditions For greater accuracy use chart under heading "Combined Torsion and Bending of Standard Shafts" (B16-19).

Tables and chart are based upon a safe shear stress of 6,000 pounds per square inch for standard keyseated shafting. Be generous in the selection of shaft diameters as liberal diameters not only reduce deflection and

vibration but also generally increase bearing life.

When necessary to use other than standard shafting, find the required diameter for standard shafting as outlined above and multiply by proper factor shown in Table 24, under heading "Factors for Shafting Other than Standard Shafting, "(B16-18).

**Selection of Shaft Diameters (Cont'd)**

**Table 20: No Bending Moment (Shafts without pulleys, sprockets or gears - Torsion only)**

Shaft Size	Horse Power at Various Revolutions per Minute																		
	25	50	75	100	125	150	175	200	225	250	275	300	350	400	500	600	700	800	900
15/16	0.30	0.70	1.10	1.50	1.90	2.30	2.60	3	3.40	3.80	4.20	4.60	5.30	6.10	7.70	9.20	10.70	12.30	13.80
1-3/16	0.70	1.50	2.30	3.10	3.90	4.60	5.40	6.20	7	7.80	8.60	9.30	10.90	12.50	15.60	18.70	21.90	25	28.10
1-7/16	1.30	2.70	4.10	5.50	6.90	8.30	9.70	11.10	12.40	13.80	15.20	16.60	19.40	22.20	27.70	33.30	38.80	44.40	49.90
1-11/16	2.20	4.40	6.60	8.90	11.20	13.40	15.70	17.90	20.20	22.40	24.70	26.90	31.40	35.90	44.90	53.80	62.80	71.80	80.80
1-15/16	3.30	6.70	10.10	13.50	16.90	20.30	23.70	27.10	30.50	33.90	37.30	40.70	47.50	54.30	67.90	81.50	95.10	108	122
2-3/16	4.90	9.80	14.60	19.50	24.40	29.30	34.20	39.10	44	48.90	53.80	58.60	68.40	78.20	97.80	117	136	156	176
2-7/16	6.70	13.50	20.20	27	33.80	40.60	47.30	54.10	60.90	67.60	74.40	81.20	94.70	108	135	162	189	216	243
2-11/16	9	18.10	27.10	36.20	45.30	54.40	63.40	72.50	81.60	90.70	99.70	108	126	145	181	217	253	290	326
2-15/16	11.80	23.60	35.40	47.30	59.20	71	82.90	94.70	106	118	130	142	165	189	236	284	331	379	426
3-7/16	19	37.90	57	75.90	94.90	113	132	151	170	189	208	227	265	303	379	455	531	607	683
3-15/16	28.50	57	85.50	114	142	171	199	228	256	285	313	342	399	456	570	684	798	912	1026
4-7/16	40.80	81.60	122	163	204	245	286	327	367	408	449	490	572	653	816	980	1143	1306	1470

**Table 21: Limited Bending Moment (Pulleys, sprockets or gears near bearings. Ordinary line shafts.)**

Shaft Size	Horse Power at Various Revolutions per Minute																		
	25	50	75	100	125	150	175	200	225	250	275	300	350	400	500	600	700	800	900
15/16	0.20	0.50	0.70	1	1.20	1.50	1.70	2	2.30	2.50	2.80	3	3.50	4.10	5.10	6.10	7.10	8.20	9.20
1-3/16	0.50	1	1.50	2	2.60	3.10	3.60	4.10	4.70	5.20	5.70	6.20	7.30	8.30	10.40	12.50	14.60	16.70	18.80
1-7/16	0.90	1.80	2.70	3.70	4.60	5.50	6.40	7.40	8.30	9.20	10.10	11.10	12.90	14.80	18.50	22.20	25.90	29.60	33.30
1-11/16	1.40	2.90	4.30	5.90	7.40	8.90	10.40	11.90	13.40	14.90	16.40	17.90	20.90	23.90	29.90	35.90	41.90	47.90	53.90
1-15/16	2.20	4.50	6.70	9	11.30	13.60	15.80	18.10	20.40	22.60	24.90	27.20	31.70	36.20	45.30	54.40	63.40	72.50	81.60
2-3/16	3.20	6.50	9.70	13	16.30	19.50	22.80	26.10	29.30	32.60	35.80	39.10	45.60	52.20	65.20	78.30	91.30	104	117
2-7/16	4.50	9	13.50	18	22.50	27	31.60	36.10	40.60	45.10	49.60	54.10	63.20	72.20	90.20	108	126	144	162
2-11/16	6	12.10	18.10	24.20	30.20	36.30	42.30	48.40	54.40	60.50	66.50	72.60	84.70	96.80	121	145	169	193	217
2-15/16	7.90	15.80	23.70	31.60	39.50	47.40	55.30	63.20	71.10	79	86.90	94.80	110	126	158	189	221	252	284
3-7/16	12.60	25.30	37.90	50.60	63.30	75.90	88.60	101	113	126	139	151	177	202	253	303	354	405	455
3-15/16	19	38	57	76.10	94.10	114	133	152	171	190	209	228	266	304	380	456	532	608	685
4-7/16	27	54	81	108	136	163	190	217	245	272	299	326	381	435	544	653	762	871	980
4-15/16	37	75	112	150	187	225	262	300	337	375	412	450	525	600	750	900	1050	1200	1350
5-7/16	50	100	150	200	250	300	350	400	451	501	551	601	701	801	1002	1202	1403	1603	1804
5-15/16	65	130	195	261	326	391	456	522	587	652	717	783	913	1044	1305	1566	1827	2088	2349
6-1/2	85	171	256	342	427	513	598	684	769	855	940	1026	1197	1368	1710	2052	2394	2736	3078

## Selection of Shaft Diameters (Cont'd)

**Table 22: Heavy Bending Moment. (Use for main or important shafts.)**

Shaft Size	Horse Power at Various Revolutions per Minute																		
	25	50	75	100	125	150	175	200	225	250	275	300	350	400	500	600	700	800	900
1-11/16	0.80	1.70	2.50	3.50	4.40	5.30	6.20	7.10	8	8.90	9.80	10.70	12.50	14.30	17.90	21.50	25.10	28.70	32.30
1-15/16	1.30	2.70	4	5.40	6.70	8.10	9.50	10.80	12.20	13.50	14.90	16.30	19	21.70	27.10	32.60	38	43.50	48.90
2-3/16	1.90	3.90	5.80	7.80	9.70	11.70	13.70	15.60	17.60	19.50	21.50	23.40	27.40	31.30	39.10	46.90	54.80	62.60	70.40
2-7/16	2.70	5.40	8.10	10.80	13.50	16.20	18.90	21.60	24.30	27	29.70	32.40	37.90	43.30	54.10	64.90	75.80	86.60	97.40
2-11/16	3.60	7.20	10.80	14.50	18.10	21.70	25.40	29	32.60	36.20	39.90	43.50	50.80	58	72.50	87.10	101	116	130
2-15/16	4.70	9.40	14.10	18.90	23.60	28.40	33.10	37.90	42.60	47.30	52.10	56.80	66.30	75.80	94.70	113	132	151	170
3-7/16	7.50	15.10	22.60	30.30	37.90	45.50	53.10	60.70	68.30	75.90	83.50	91.10	106	121	151	182	212	243	273
3-15/16	11.40	22.80	34.20	45.60	57	68.40	79.90	91.30	102	114	125	136	159	182	228	273	319	365	410
4-7/16	16.30	32.60	48.90	65.30	81.60	98	114	130	147	163	179	196	228	261	326	392	457	522	588
4-15/16	22.50	45	67.50	90	112	135	157	180	202	225	247	270	315	360	450	540	630	720	810
5-7/16	30	60	90	120	150	180	210	240	270	300	330	360	420	480	601	721	841	961	1082
5-15/16	39	78	117	156	195	234	273	313	352	391	430	469	547	626	782	939	1095	1252	1409
6-1/2	51	102	153	205	256	308	359	410	462	513	564	616	718	821	1027	1232	1437	1643	1848
7	64	128	192	256	320	384	448	513	577	641	705	769	897	1026	1282	1539	1795	2052	2308
7-1/2	78.50	157	235	315	394	473	552	631	709	788	867	946	1104	1262	1577	1893	2208	2524	2839
8	95.50	191	286	382	478	574	670	765	861	957	1053	1148	1340	1531	1914	2297	2680	3063	3446
8-1/2	114	229	343	459	574	688	803	918	1033	1148	1263	1377	1607	1837	2296	2755	3215	3674	4133
9	136	272	408	545	681	817	954	1090	1226	1363	1499	1635	1908	2181	2726	3271	3816	4362	4907
9-1/2	160	320	480	641	801	961	1122	1282	1442	1603	1763	1923	2244	2565	3206	3847	4488	5130	5771
10	186	373	559	747	934	1121	1308	1495	1682	1869	2056	2243	2617	2991	3739	4487	5235	5983	6731

**Table 23: Severe Conditions (Heavy shock loads. Excessively tight belts, long clutch sleeves.)**

Shaft Size	Horse Power at Various Revolutions per Minute																		
	25	50	75	100	125	150	175	200	225	250	275	300	350	400	500	600	700	800	900
1-11/16	0.4	0.8	1.2	1.7	2.2	2.6	3.1	3.5	4	4.4	4.9	5.3	6.2	7.1	8.9	10.7	12.5	14.3	16.10
1-15/16	0.6	1.3	2	2.7	3.3	4	4.7	5.4	6.1	6.7	7.4	8.1	9.5	10.8	13.5	16.3	19	21.7	24.40
2-3/16	0.90	1.90	2.90	3.90	4.80	5.80	6.80	7.80	8.80	9.70	10.70	11.70	13.70	15.60	19.50	23.40	27.40	31.30	35.20
2-7/16	1.30	2.70	4	5.40	6.70	8.10	9.40	10.80	12.10	13.50	14.80	16.20	18.90	21.60	27	32.40	37.90	43.30	48.70
2-11/16	1.80	3.60	5.40	7.20	9	10.80	12.70	14.50	16.30	18.10	19.90	21.70	25.40	29	36.20	43.50	50.80	58	65
2-15/16	2.30	4.70	7	9.40	11.80	14.20	16.50	18.90	21.30	23.60	26	28.40	33.10	37.90	47.30	56.50	66	75.50	85
3-7/16	3.70	7.50	11.30	15.1	18.90	22.70	26.50	30.30	34.10	37.90	41.70	45.50	53	60.50	75.50	91	106	121	136
3-15/16	5.70	11.40	17.10	22.8	28.50	34.20	39.90	45.60	51	57	62.50	68	79.50	91	114	136	159	182	205
4-7/16	8.10	16.30	24.40	32.6	40.80	49	57	65	73.50	81.50	89.50	98	114	130	163	196	228	261	294
4-15/16	11.20	22.50	33.70	45	56	67.50	78.50	90	101	112	123	135	157	180	225	270	315	360	405
5-7/16	15	30	45	60	75	90	105	120	135	150	165	180	210	240	300	360	420	480	541
5-15/16	19.50	39	58.50	78	97.10	117	136	156	171	195	215	234	273	313	391	469	547	626	704
6-1/2	25.50	51	76.50	102.5	128	154	179	205	231	256	282	308	359	410	513	616	718	821	924
7	32	64.90	96	128	160	192	224	256	288	320	352	384	448	513	641	769	897	1026	1154
7-1/2	39.20	78.50	117	157	197	236	276	315	354	394	433	473	552	631	788	946	1104	1262	1419
8	47.70	95.50	143	191	239	287	335	382	430	478	526	574	670	765	957	1148	1340	1531	1723
8-1/2	57	114	171	229	287	344	401	459	516	574	631	688	803	918	1148	1377	1607	1837	2066
9	68	136	204	272	340	408	477	545	613	681	749	817	954	1090	1363	1635	1908	2181	2453
9-1/2	80	160	240	320	400	480	561	641	721	801	881	961	1122	1282	1603	1923	2244	2565	2885
10	93	186	279	373	467	560	654	747	841	934	1028	1121	1308	1495	1869	2243	2617	2991	3365

**Caution** - Be generous in the selection of shaft diameters as liberal diameters not only reduce deflection and vibration but also generally increase bearing life. See notes on next page.

## Selection of Shaft Diameters (Cont'd)

**Shaft Stiffness, Shaft Deflection**-Standard shafting of adequate strength usually has a sufficiently large diameter to prevent excessive deflection in ordinary installations. It is wise to select shafting of generous diameter, as the greater the diameter, the greater the stiffness. A high tensile strength alloy shaft, although stronger, is no stiffer than a standard shaft of the same diameter.

While it is sometimes possible to use an alloy shaft of less diameter than a standard shaft of equal strength, this practice is usually inadvisable, as the deflection is increased.

Shafts carrying medium or long clutch sleeves should be especially generous.

**High Speed Shafts** - High speed sometimes causes shaft whipping or vibration. This can be prevented by making the shaft diameter generous and the distance between bearing centers short.

Location of the bearings close to wheels and couplings is advisable whether the shaft is transmitting heavy or light loads.

The use of high tensile strength alloy shafting instead of standard shafting is of no help in preventing vibration as this will not improve the stiffness nor deflection characteristics of the shaft.

**Stepped Shafts** - For a heavily loaded wheel, a shaft with a boss or enlarged section under the wheel and turned to a smaller diameter at the bearings often provides the most economical installation. The two different diameters should be joined by a very generous fillet, otherwise a dangerous

concentration of stress will occur at the fillet. See heading "Turning Down Shaft Ends." (B16-15).

**Shaft Keyseats** - Plain keyseats are preferable to round end keyseats in respect to causing the least concentration of stress. However, round end keyseats are often used because of design and assembly requirements. Ends left by the milling cutter should not project into babbitted or bronze bushed bearing, but may project under the sleeve of any DODGE anti-friction bearing.

Shaft diameters obtained from the tables or chart allow for the use of keyseats.

**Shaft Bearings** - On ordinary line shafting, bearings are commonly spaced about eight feet centers. On large diameter shafts, the spacing may be somewhat greater.

Wheels and clutches should be located near bearings to avoid dangerous bending, deflection and vibration.

Bearings should be mounted on adequate supports so that accurate alignment may be maintained. Shaft misalignment may cause shaft or bearing failure.

**Shaft Couplings** - Where a rigid coupling is used, it is preferable to have a bearing fairly close. Where a cutoff coupling or a flexible coupling is used, locate bearings close to each end of the coupling.

**Expansion of Shafting** - Where changes in the length of the shaft due to changes in temperature are to be expected and the bearings are mounted on supporting structures other than steel, consideration must be given to expansion. For more detailed information see B16-20, headed: "Expansion of Shafting."

## Factors for Shafting Other Than Standard Shafting

When it is necessary to use other than standard shafting, multiply required diameter for standard shafting as found in the tables or chart by proper factor from Table 24 below.

Standard keyseated shafting, using a safe shear stress of 6,000 PSI is the basis of shafting tables and chart. For safe shear stress of other materials, use 1/10 of nominal ultimate tensile strength. For example, use 8,000 for C1045 and 10,000 for 4140 keyseated shafting. When definite physical specifications are known the least of 13.5% of minimum ultimate tensile strength and 22.5% of minimum elastic limit in tension

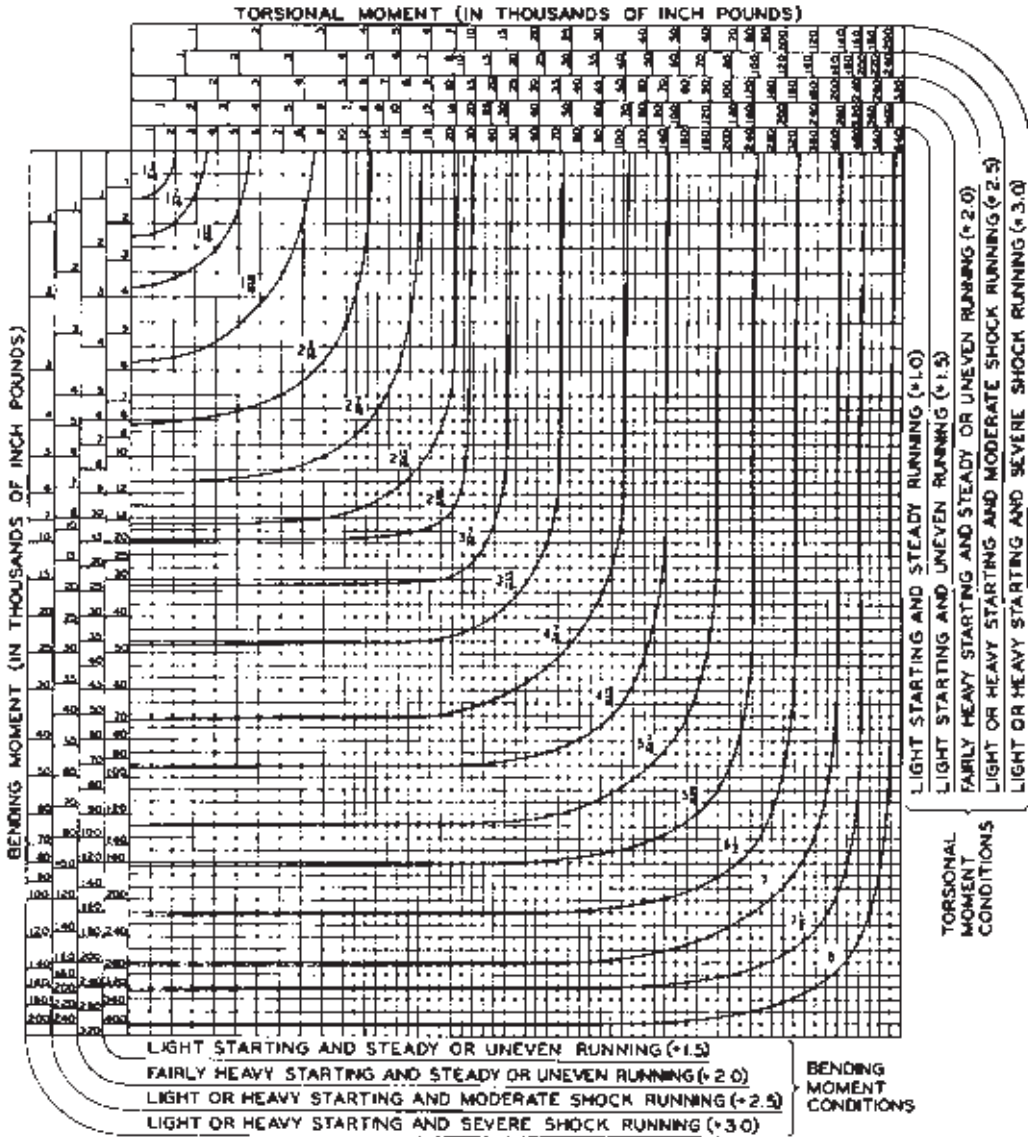
may be used for keyseated shafting; 18% and 30% respectively if not keyseated.

**Caution** - As the deflection of steel shafting depends upon the diameter and not upon the analysis of the steel, care should be exercised in the use of alloy shafting not to reduce the diameter unduly. Deflection should not be excessive and bearing capacities should be adequate. It is usually best to use standard shafting instead of a smaller diameter alloy shaft. The smaller alloy shaft may safely transmit the torque but often is undesirable in respect to deflection, vibration and bearing life

**Table 24: Shear Stress Factors**

Safe Shear Stress	Factor	Safe Shear Stress	Factor	Safe Shear Stress	Factor	Safe Shear Stress	Factor	Safe Shear Stress	Factor
500	2.289	3,000	1.260	5,500	1.029	9,000	.874	14,000	.754
1,000	1.817	3,500	1.197	6,000	1.000	10,000	.843	15,000	.737
1,500	1.587	4,000	1.145	6,500	.974	11,000	.817	16,000	.721
2,000	1.442	4,500	1.101	7,000	.950	12,000	.794	17,000	.707
2,500	1.339	5,000	1.063	8,000	.909	13,000	.773	18,000	.693

Combine Torsion and Bending of Standard Shaft  
(Based on a Safe Shear Stress of 6,000 PS for Keyseated Shafting)



**Example:** Engine extension shaft driving single cylinder compressor, 15,000 pound-inches torsional moment, 14,000 pound-inches bending moment. Because of the heavy shock running load conditions use scales designated "Light or Heavy Starting and Severe Shock Running". Project a line down from 15,000 torsional moment. Project a line to the right from 14,000 bending moment. The two lines intersect between 3-7/16 and 3-15/16 curves. Use 3-15/16 standard shafting.

**Note:** The above chart is based on ASME approved standard ASA-B17C-1927 withdrawn in 1954. If the latest shaft selection analysis is required refer to ANSI/ASME B106.1M-1985.

**Note:** If considering use of other shafting material refer to "Selection of Shaft Diameters" on page B16-18.

## Expansion of Shafting

Provision should be made to permit the free movement of shafting endwise due to temperature changes. One bearing should serve as an anchor bearing to locate the shaft endwise. All other bearings should permit the shaft to move freely endwise.

The anchor bearing is often located near an important wheel. On long shafts it should preferably be located near the center of the shaft to keep the expansion of the two ends to a minimum. If the anchor bearing is babbitted it should be fitted with collars. If it is an anti-friction bearing it should be of the non-expansion type, which is the designation of DODGE roller and ball bearings for use as anchor bearings.

All bearings on the shafting other than the anchor bearing should permit the shaft to move freely endwise. If babbitted there should be no thrust collars. If anti-friction these bearings should be of the expansion type.

Several shafts firmly fastened together expand as if one continuous shaft. An example of this is line shafting with flange couplings. If the expansion is considered excessive a long line shaft may be split into two or more sections, the sections being connected with expansion couplings.

### Amount of Expansion to be provided for-

The amount of shaft expansion is given in Table 25 below. For example, with a 100°F temperature rise on a 150 ft. line shaft with the anchor bearing located 70 ft. from one end and 80 ft. from the other end the ends will move .529" and .605" respectively away from the anchor bearing. The

structure supporting the bearings may also expand but usually not as rapidly and as much as the shafting. Several cases follow:

Case 1- Bearings supported on steel structures, where the shaft and structure are exposed to the same temperatures, will expand at the same rate. Expansion allowance is usually not required. If the shaft is exposed to a higher temperature than the support, allowances should be made. For example, if the shaft temperature is expected to change 80°, and the temperature of the structure 60°, the resulting movement between shafting and support ends will be equivalent to a 20° change.

Case 2 - For bearings supported on wood, brick, or concrete walls, or on piers with foundations in the ground, the amount of expansion is usually considered negligible. Therefore, the full amount of shafting expansion as calculated in Table 25 below, may be accommodated.

Case 3 - Certain structural designs have built-in flexibility. Where this is the case, expansion type bearings are not necessary.

Case 4 - Short shafts with only two bearings are usually designed without compensation for expansion, if temperature variations are not excessive.

### Advice on Expansion Problems-

DODGE power transmission engineers will gladly make recommendations concerning shaft expansion problems and the use of suitable bearings.

**Table 25: Linear Expansion of Steel Shafting**

Base on Expansion In Inches = 0.000063 x 12 x Length in Feet x Temp. Increase in Degrees Fahrenheit

Length (Feet)	Temperature Increase-Degrees F.					Length (Feet)	Temperature Increase-Degrees F.				
	20°	40°	60°	80°	100°		20°	40°	60°	80°	100°
1	.0015	.0030	.0045	.0060	.0075	40	.060	.121	.181	.242	.302
2	.0030	.0060	.0091	.0121	.0151	45	.068	.136	.204	.272	.340
3	.0045	.0091	.0136	.0181	.0227	50	.076	.151	.227	.302	.378
4	.0060	.0121	.0181	.0242	.0302	55	.083	.166	.249	.333	.416
5	.0076	.0151	.0227	.0302	.0378	60	.091	.181	.272	.363	.454
6	.0091	.0181	.0272	.0363	.0454	65	.098	.197	.295	.393	.491
7	.0106	.0212	.0318	.0423	.0529	70	.106	.212	.317	.423	.529
8	.0121	.0242	.0363	.0484	.0605	75	.113	.227	.340	.454	.567
9	.0136	.0272	.0408	.0544	.0680	80	.121	.242	.363	.484	.605
10	.0151	.0302	.0454	.0605	.0756	85	.129	.257	.386	.514	.643
12	.0181	.0363	.0544	.0726	.0907	90	.136	.272	.408	.544	.680
14	.0212	.0423	.0635	.0847	.1058	95	.144	.287	.431	.575	.718
16	.024	.048	.073	.097	.121	100	.151	.302	.454	.605	.756
18	.027	.054	.082	.109	.136	110	.166	.333	.499	.665	.832
20	.030	.060	.091	.121	.151	120	.181	.363	.544	.726	.907
25	.038	.076	.113	.151	.189	130	.197	.393	.590	.786	.983
30	.045	.091	.136	.181	.227	140	.212	.423	.635	.847	1.058
35	.053	.106	.158	.212	.265	150	.227	.454	.680	.907	1.134

## Weights and Properties of Steel Shafting

**Table 26: Weight of Round Steel Shafting**

Shaft Size	Weight of Shafting for Various Lengths in feet																Weight Per Inc.	
	1	2	3	4	5	6	7	8	9	10	12	14	16	18	20	22		24
3/4	1.5	3.0	4.5	6.0	7.5	9.0	10.5	12.0	13.5	15	18	21	24	27	30	33	36	.125
7/8	2.0	4.0	6.1	8.1	10.2	12.2	14.3	16.3	18.4	20	25	29	33	37	41	45	49	.170
*15/16	2.3	4.7	7.0	9.4	11.7	14.1	16.5	18.8	21.2	23	28	33	38	42	47	52	56	.195
1	2.7	5.3	8.0	10.6	13.3	16.0	18.6	21.3	24.0	27	32	37	43	48	53	59	64	.223
1-1/8	3.4	6.8	10.0	13.4	16.7	20.1	23.4	26.7	30.1	34	41	47	54	61	68	74	81	.281
*1-3/16	3.8	7.6	11.3	15.1	18.9	22.6	26.4	30.1	34.0	38	45	53	60	68	75	83	90	.314
1-1/4	4.2	8.3	12.5	16.7	20.8	25.0	29.2	33.3	37.5	42	50	58	67	75	83	92	100	.348
1-3/8	5.0	10.1	15.3	20.2	25.3	30.3	35.4	40.4	45.4	50	60	71	81	91	101	111	121	.420
*1-7/16	5.5	11	17	22	28	33	39	44	50	55	66	77	88	99	110	121	133	.460
1-1/2	6.0	12	18	24	30	36	42	48	54	60	72	84	96	108	120	132	144	.500
*1-11/16	7.6	15	23	30	38	46	53	61	68	76	91	107	122	137	152	167	183	.634
*1-15/16	10.0	20	30	40	50	60	70	80	90	100	120	140	161	181	201	221	241	.835
2	10.7	21	32	43	53	64	75	85	96	107	128	150	171	192	214	235	256	.890
*2-3/16	12.8	26	38	51	64	77	90	102	115	128	153	179	205	230	256	281	307	1.06
*2-7/16	15.9	32	48	63	79	95	111	127	143	159	190	222	254	286	317	349	381	1.32
2-1/2	16.7	34	50	67	83	100	117	134	150	167	200	234	267	301	334	367	401	1.39
*2-11/16	19.3	39	58	77	97	116	135	154	174	193	232	270	309	348	386	425	463	1.61
*2-15/16	23.0	46	69	92	115	138	161	184	208	231	277	323	369	415	461	507	553	1.92
*3-7/16	31.6	63	95	126	158	189	221	253	284	316	379	442	505	568	631	695	758	2.63
*3-15/16	41.4	83	124	166	207	248	290	331	373	414	497	580	662	745	828	911	994	3.45
*4-7/16	52.6	105	158	210	263	315	368	421	473	526	631	736	841	946	1052	1157	1262	4.38
*4-15/16	65.1	130	195	260	326	391	456	521	586	651	781	911	1041	1172	1302	1432	1562	5.42
*5-7/16	79.0	158	237	316	395	474	553	632	711	790	947	1105	1263	1421	1579	1737	1894	6.58
*6	96	192	288	384	481	577	673	769	865	961	1154	1346	1538	1730	1923	2115	2307	8.01

\* **Recommended Diameters** These shaft diameters are recommended for use in principal cities as various transmission items such as couplings, collars, clutches, pulleys, etc., are carried in stock in these sizes, at least up to 3-15/16", in the principal cities throughout the United States.

**Table 27: Weight and Properties of Round Steel Shafting**

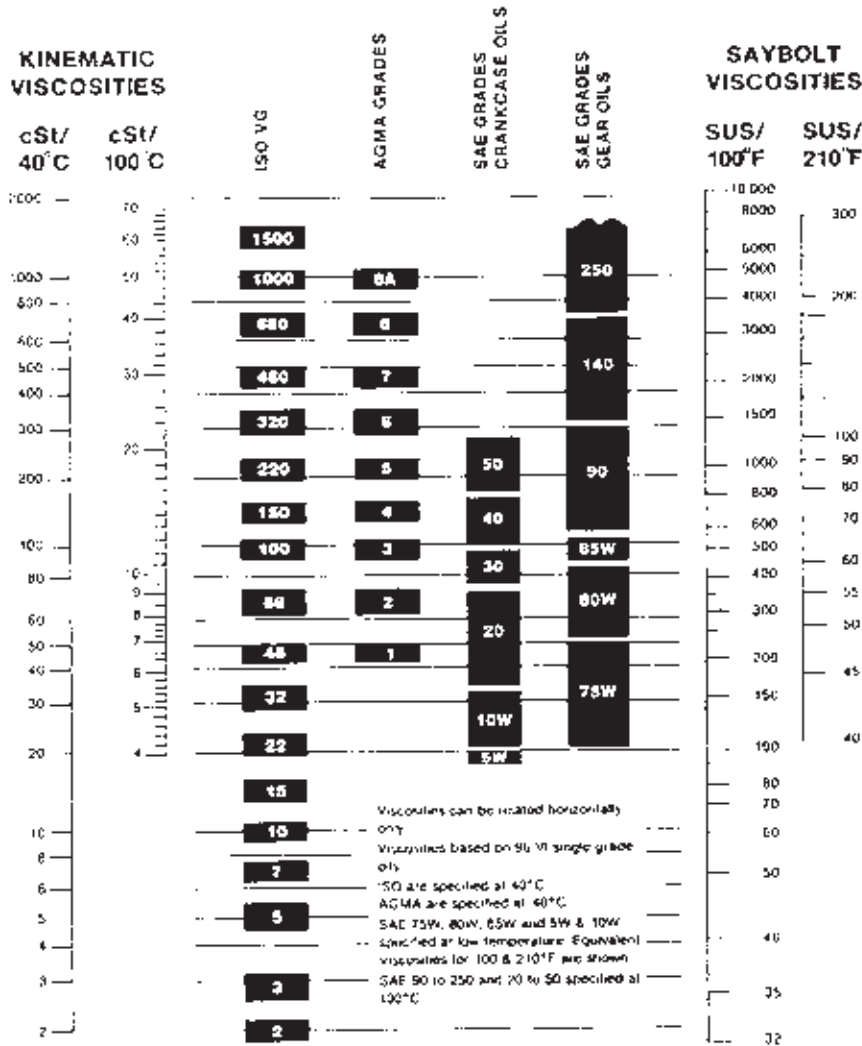
Shaft Size	Weight per Inch	Section Modulus		Moment of Inertia		Shaft Size	Weight per Inch	Section Modulus		Moment of Inertia	
		Bending	Torsion	Bending	Torsion			Bending	Torsion	Bending	Torsion
1/16	.00087	.000024	.000048	.000001	.000002	2-7/16	1.32	1.422	2.844	1.733	3.466
1/8	.0035	.000192	.000383	.000012	.000024	2-1/2	1.39	1.534	3.068	1.918	3.835
3/16	.0078	.000647	.001294	.000061	.000121	2-9/16	1.46	1.652	3.304	2.117	4.233
1/4	.0139	.001534	.003068	.000192	.000383	2-5/8	1.53	1.776	3.552	2.331	4.661
5/16	.0217	.002996	.005992	.000468	.000936	2-11/16	1.61	1.906	3.811	2.561	5.122
3/8	.0313	.005177	.010354	.000971	.001941	2-3/4	1.68	2.042	4.084	2.807	5.615
7/16	.0425	.008221	.016442	.001798	.003597	2-13/16	1.76	2.184	4.368	3.071	6.143
1/2	.0556	.0123	.0245	.0031	.0061	2-7/8	1.84	2.333	4.666	3.354	6.707
9/16	.0703	.0175	.0349	.0049	.0098	2-15/16	1.92	2.489	4.977	3.655	7.310
5/8	.0868	.0240	.0479	.0075	.0150	3	2.00	2.651	5.301	3.976	7.952
11/16	.1051	.0319	.0638	.0110	.0219	3-1/16	2.08	2.820	5.640	4.318	8.636
3/4	.125	.0414	.0828	.0155	.0311	3-1/8	2.17	2.996	5.992	4.681	9.363
13/16	.1467	.0527	.1053	.0214	.0428	3-3/16	2.26	3.179	6.359	5.067	10.13
7/8	.1701	.0658	.1315	.0288	.0575	3-1/4	2.35	3.370	6.740	5.477	10.95
15/16	.1954	.0809	.1618	.0379	.0758	3-5/16	2.44	3.568	7.137	5.910	11.82
1	.22	.0982	.1963	.0491	.0982	3-3/8	2.53	3.774	7.548	6.369	12.74
1-1/16	.25	.1178	.2355	.0626	.1251	3-7/16	2.63	3.988	7.976	6.854	13.71
1-1/8	.28	.1398	.2796	.0786	.1573	3-1/2	2.72	4.209	8.419	7.366	14.73
1-3/16	.31	.1644	.3288	.0976	.1952	3-9/16	2.82	4.439	8.878	7.907	15.81
1-1/4	.35	.1917	.3835	.1198	.2397	3-5/8	2.92	4.677	9.353	8.476	16.95
1-5/16	.38	.2220	.4439	.1457	.2913	3-11/16	3.02	4.923	9.845	9.076	18.15
1-3/8	.42	.2552	.5104	.1755	.3509	3-3/4	3.13	5.177	10.35	9.707	19.41
1-7/16	.46	.2916	.5832	.2096	.4192	3-13/16	3.23	5.440	10.88	10.37	20.74
1-1/2	.50	.3313	.6627	.2485	.4970	3-7/8	3.34	5.712	11.42	11.07	22.14
1-9/16	.54	.3745	.7490	.2926	.5852	3-15/16	3.45	5.993	11.99	11.80	23.60
1-5/8	.59	.4213	.8425	.3423	.6846	4	3.56	6.283	12.57	12.57	25.13
1-11/16	.63	.4718	.9435	.3981	.7961	4-1/16	3.67	6.582	13.16	13.37	26.74
1-3/4	.68	.5262	1.052	.4604	.9208	4-1/8	3.78	6.891	13.78	14.21	28.42
1-13/16	.73	.5846	1.169	.5298	1.060	4-3/16	3.90	7.209	14.42	15.09	30.19
1-7/8	.78	.6471	1.294	.6067	1.213	4-1/4	4.01	7.536	15.07	16.01	32.03
1-15/16	.83	.7140	1.428	.6917	1.384	4-5/16	4.13	7.874	15.75	16.98	33.96
2	.89	.7854	1.571	.7854	1.571	4-3/8	4.25	8.221	16.44	17.98	35.97
2-1/16	.94	.8614	1.723	.8883	1.777	4-7/16	4.38	8.579	17.16	19.03	38.07
2-1/8	1.00	.9421	1.884	1.001	2.002	4-1/2	4.50	8.946	17.89	20.13	40.26
2-3/16	1.06	1.028	2.055	1.124	2.248	4-9/16	4.63	9.324	18.65	21.27	42.54
2-1/4	1.13	1.118	2.237	1.258	2.516	4-5/8	4.75	9.713	19.43	22.46	44.92
2-5/16	1.19	1.214	2.428	1.404	2.808	4-11/16	4.88	10.11	20.22	23.70	47.40
2-3/8	1.25	1.315	2.630	1.562	3.124	4-3/4	5.01	10.52	21.04	24.99	49.98

**Table 27: Weight and Properties of Round Steel Shafting**

Shaft Size	Weight per Inch	Section Modulus		Moment of Inertia		Shaft Size	Weight per Inch	Section Modulus		Moment of Inertia	
		Bending	Torsion	Bending	Torsion			Bending	Torsion	Bending	Torsion
4-13/16	5.15	10.94	21.88	26.33	52.66	13-1/2	40.50	241.50	483.10	1630	3261
4-7/8	5.28	11.37	22.75	27.72	55.45	13-3/4	42.00	255.20	510.40	1755	3509
4-15/16	5.42	11.82	23.63	29.17	58.35	14	43.60	269.40	538.80	1886	3771
5	5.56	12.27	24.54	30.68	61.36	14-1/4	45.10	284.10	568.20	2024	4048
5-1/16	5.70	12.74	25.48	32.24	64.49	14-1/2	46.70	299.30	598.60	2170	4340
5-1/8	5.84	13.22	26.43	33.86	67.73	14-3/4	48.40	315.00	630.10	2324	4647
5-3/16	5.98	13.70	27.41	35.55	71.09	15	50.00	331.30	662.70	2485	4970
5-1/4	6.13	14.21	28.41	37.29	74.58	15-1/4	51.70	348.20	696.40	2655	5310
5-5/16	6.27	14.72	29.44	39.10	78.20	15-1/2	53.40	365.60	731.20	2833	5667
5-3/8	6.42	15.25	30.49	40.97	81.94	15-3/4	55.10	383.60	767.10	3021	6041
5-7/16	6.58	15.78	31.57	42.91	85.82	16	56.90	402.10	804.20	3217	6434
5-1/2	6.72	16.33	32.67	44.92	89.84	16-1/4	58.70	421.30	842.50	3422	6846
5-9/16	6.88	16.90	33.79	46.99	93.99	16-1/2	60.50	441.00	882.00	3638	7277
5-5/8	7.03	17.47	34.95	49.14	98.29	16-3/4	62.40	461.40	922.70	3864	7728
5-11/16	7.19	18.06	36.12	51.36	102.70	17	64.20	482.30	964.70	4100	8200
5-3/4	7.35	18.66	37.33	53.66	107.30	17-1/4	66.10	503.90	1008	4346	8693
5-13/16	7.51	19.28	38.56	56.03	112.10	17-1/2	68.10	526.20	1052	4604	9208
5-7/8	7.67	19.91	39.82	58.48	117.00	17-3/4	70.00	549.10	1098	4873	9745
5-15/16	7.84	20.55	41.10	61.01	122.00	18	72.00	572.60	1145	5153	10306
6	8.00	21.21	42.41	63.62	127.20	18-1/4	74.00	596.70	1193	5445	10891
6-1/16	8.17	21.88	43.75	66.31	132.60	18-1/2	76.10	621.60	1243	5750	11500
6-1/8	8.34	22.56	45.12	69.09	138.20	18-3/4	78.10	647.10	1294	6067	12134
6-3/16	8.51	23.26	46.51	71.95	143.90	19	80.20	673.40	1347	6397	12794
6-1/4	8.68	23.97	47.94	74.90	149.80	19-1/4	82.40	700.30	1401	6741	13481
6-5/16	8.86	24.69	49.39	77.94	155.90	19-1/2	84.50	728.00	1456	7098	14195
6-3/8	9.03	25.44	50.87	81.08	162.20	19-3/4	86.70	756.30	1513	7469	14937
6-7/16	9.21	26.19	52.38	84.30	168.60	20	88.90	785.40	1571	7854	15708
6-1/2	9.39	26.96	53.92	87.62	175.20	20-1/4	91.10	815.20	1630	8254	16508
6-5/8	9.76	28.55	57.09	94.56	189.10	20-1/2	93.40	845.80	1692	8669	17339
6-3/4	10.10	30.19	60.39	101.90	203.80	20-3/4	95.70	877.10	1754	9100	18200
6-7/8	10.50	31.90	63.80	109.70	219.30	21	98.00	909.20	1818	9547	19093
7	10.90	33.67	67.35	117.90	235.70	21-1/4	100.40	942.10	1884	10009	20019
7-1/8	11.30	35.51	71.02	126.50	253.00	21-1/2	102.70	975.70	1951	10489	20978
7-1/4	11.70	37.41	74.82	135.60	271.20	21-3/4	105.10	1010	2020	10985	21970
7-3/8	12.10	39.38	78.76	145.20	290.40	22	107.60	1045	2091	11499	22998
7-1/2	12.50	41.42	82.84	155.30	310.60	22-1/4	110.00	1081	2163	12031	24061
7-5/8	12.90	43.52	87.05	165.90	331.90	22-1/2	112.50	1118	2237	12581	25161
7-3/4	13.30	45.70	91.40	177.10	354.20	22-3/4	115.00	1156	2312	13149	26298
7-7/8	13.80	47.95	95.89	188.80	377.60	23	117.60	1194	2389	13737	27473
8	14.30	50.27	100.50	201.10	402.10	23-1/4	120.10	1234	2468	14344	28687
8-1/8	14.70	52.66	105.30	213.90	427.90	23-1/2	122.70	1274	2548	14971	29941
8-1/4	15.10	55.13	110.30	227.40	454.80	23-3/4	125.40	1315	2630	15618	31236
8-3/8	15.60	57.67	115.30	241.50	483.00	24	128.00	1357	2714	16286	32572
8-1/2	16.10	60.29	120.60	256.20	512.50	24-1/4	130.70	1400	2800	16975	33951
8-5/8	16.50	62.99	126.00	271.60	543.30	24-1/2	133.40	1444	2888	17686	35372
8-3/4	17.00	65.77	131.60	287.70	575.50	24-1/4	136.20	1488	2977	18419	36838
8-7/8	17.50	68.63	137.30	304.50	609.10	25	138.90	1534	3068	19175	38350
9	18.00	71.57	143.10	322.10	644.10	25-1/4	141.70	1580	3161	19954	39907
9-1/8	18.50	74.59	149.20	340.30	680.70	25-1/2	144.50	1628	3256	20755	41511
9-1/4	19.00	77.70	155.40	359.40	718.70	25-3/4	147.40	1676	3352	21581	43163
9-3/8	19.50	80.89	161.80	379.20	758.40	26	150.30	1726	3451	22432	44864
9-1/2	20.10	84.17	168.30	399.80	799.60	26-1/4	153.20	1776	3552	23307	46614
9-5/8	20.60	87.54	175.10	421.30	842.60	26-1/2	156.10	1827	3654	24208	48415
9-3/4	21.10	90.99	182.00	443.60	887.20	26-3/4	159.00	1879	3758	25134	50268
9-7/8	21.70	94.54	189.10	466.80	933.60	27	162.00	1932	3865	26087	52174
10	22.20	98.17	196.30	490.90	981.70	27-1/2	168.10	2042	4083	28074	56148
10-1/4	23.40	105.72	211.40	541.80	1084	28	174.30	2155	4310	30172	60344
10-1/2	24.50	113.65	227.30	596.70	1193	28-1/2	180.50	2273	4545	32385	64771
10-3/4	25.70	121.96	243.90	655.50	1311	29	186.90	2394	4789	34719	69437
11	26.90	130.67	261.30	718.70	1437	29-1/2	193.40	2520	5041	37176	74351
11-1/4	28.10	139.78	279.60	786.30	1573	30	200.00	2651	5301	39761	79522
11-1/2	29.40	149.31	298.60	858.50	1717	30-1/2	206.80	2785	5571	42479	84957
11-3/4	30.70	159.26	318.50	935.70	1871	31	213.60	2925	5849	45333	90666
12	32.00	169.65	339.30	1018	2036	31-1/2	220.50	3069	6137	48329	96659
12-1/4	33.40	180.47	360.90	1105	2211	32	227.60	3217	6434	51472	102944
12-1/2	34.70	191.75	383.50	1198	2397	32-1/2	234.80	3370	6740	54765	109530
12-3/4	36.10	203.48	407.00	1297	2594	33	242.10	3528	7056	58214	116428
13	37.60	215.69	431.40	1402	2804	34	256.90	3859	7717	65597	131194
13-1/4	39.00	228.37	456.70	1513	3026	35	272.30	4209	8418	73662	147324



**Viscosity Classification Equivalents**



**ISO VISCOSITY CLASSIFICATION SYSTEM**

All industrial oils are graded according to the ISO Viscosity Classification System, approved by the International Standards Organizations (ISO). Each ISO viscosity grade number corresponds to the mid-point of viscosity range expressed in centistokes (cSt) at 40°C. For example, a lubricant with an ISO grade of 32 has a viscosity within the range of 28.80-35.2, the midpoint of which is 32.

**Rule-of-Thumb:** The comparable ISO grade of a competitive product whose viscosity in SUS at 100°F is known can be determined by using the following conversion formula:

$$\text{SUS @ 100° F} \div 5 = \text{cSt @ 40°C}$$

## English Standard Measures

### Long Measure

1 mile = 1760 yards = 5280 feet.  
 1 yard = 3 feet = 36 inches.  
 1 foot = 12 inches.

### Surveyor's Measure

1 mile = 8 furlongs = 80 chains.  
 1 furlong = 10 chains = 220 yards.  
 1 chain = 4 rods = 22 yards = 66 feet = 100 links.  
 1 link = 7.92 inches.

### Square Measure

1 square mile = 640 acres = 6400 square chains.  
 1 acre = 10 square chains = 4840 square yards = 43,560 square feet.  
 1 square chain = 16 square rods = 484 square yards = 4356 square feet.  
 1 square rod = 30.25 square yards = 272.25 square feet = 625 square links.  
 1 square yard = 9 square feet.  
 1 square foot = 144 square inches.  
 An acre is equal to a square, the side of which is 208.7 feet.

### Dry Measure

1 bushel (U.S. or Winchester struck bushel) = 1.2445 cubic foot = 2150.42 cubic inches.  
 1 bushel = 4 pecks = 32 quarts = 64 pints.  
 1 peck = 8 quarts = 16 pints.  
 1 quart = 2 pints.  
 1 heaped bushel = 1 1/4 struck bushel.  
 1 cubic foot = 0.8036 struck bushel.  
 1 British Imperial bushel = 8 Imperial gallons = 1.2837 cubic foot = 2218.19 cubic inches.

### Liquid Measure

1 U.S. gallon = 0.1337 cubic foot = 231 cubic inches = 4 quarts = 8 pints.  
 1 quart = 2 pints = 8 gills.  
 1 pint = 4 gills.  
 1 British Imperial gallon = 1.2003 U.S. gallon = 277.27 cubic inches.  
 1 cubic foot = 7.48 U.S. gallons.

### Circular and Angular Measure

60 seconds (") = 1 minute (')  
 60 minutes = 1 degree (-)  
 360 degrees = 1 circumference (C)  
 57.3 degrees = 1 radian  
 2 π radians = 1 circumference (C)

### Specific Gravity

The specific gravity of a substance is its weight as compared with the weight of an equal bulk of pure water.  
 For making specific gravity determinations the temperature of the water is usually taken at 62° F. when 1 cubic foot of water weighs 62.355 lbs. Water is at its greatest density at 39.20° F. or 4° Centigrade.

### Temperature

The following equation will be found convenient for transforming temperature from one system to another:

Let F = degrees Fahrenheit; C = degrees Centigrade; R = degrees Reamur.

$$F - 32 = \frac{C}{9} \times \frac{5}{4} \times R$$

### Avoirdupois or Commercial Weight

1 gross or long ton = 2240 pounds.  
 1 net or short ton = 2000 pounds.  
 1 pound = 16 ounces = 7000 grains.  
 1 ounce = 16 drams = 437.5 grains.

### Measures of Pressure

1 pound per square inch = 144 pounds per square foot = 0.068 atmosphere = 2.042 inches of mercury at 62 degrees F. = 27.7 inches of water at 62 degrees F. = 2.31 feet of water at 62 degrees F.  
 1 atmosphere = 30 inches of mercury at 62 degrees F. = 14.7 pounds per square inch = 2116.3 pounds per square foot = 33.95 feet of water at 62 degrees F.  
 1 foot of water at 62 degrees F. = 62.355 pounds per square foot = 0.433 pound per square inch.  
 1 inch of mercury at 62 degrees F. = 1.132 foot of water = 13.58 inches of water = 0.491 pound per square inch.  
 Column of water 12 in. high, 1 in. dia. = .341 lbs.

### Cubic Measure

1 cubic yard = 27 cubic feet.  
 1 cubic foot = 1728 cubic inches.  
 The following measures are also used for wood and masonry:  
 1 cord of wood = 4 X 4 X 8 feet = 128 cubic feet.  
 1 perch of masonry = 16-1/2 X 1-1/2 X 1 foot = 24-3/4 cubic feet.

### Shipping Measure

For measuring entire internal capacity of a vessel: 1 register ton = 100 cubic feet.  
 For measurement of cargo:  
 1 U.S. shipping ton = 40 cubic feet = 32.143 U.S. bushels = 31.16 Imperial bushels.  
 British shipping ton = 42 cubic feet = 33.75 U.S. bushels = 32.72 Imperial bushels.

### Troy Weight, Used for Weighing Gold and Silver

1 pound = 12 ounces = 5760 grains.  
 1 ounce = 20 pennyweights = 480 grains.  
 1 pennyweight = 24 grains.  
 1 carat (used in weighing diamonds) = 3.086 grains.  
 1 grain Troy = 1 grain avoirdupois = 1 grain apothecaries' weight.

### Measure Used for Diameters and Areas of Electric Wires

1 circular inch = area of circle 1 inch in diameter = 0.7854 square inch.  
 1 circular inch = 1,000,000 circular mils.  
 1 square inch = 1.2732 circular inch = 1,273,239 circular mils.  
 A circular mil is the area of a circle 0.001 inch in diameter.

### Board Measure

One foot board measure is a piece of wood 12 inches square by 1 inch thick, or 144 cubic inches. 1 cubic foot therefore equals 12 feet board measure

**TABLE 28: Decimal and Millimeter Equivalents of Fractions**

Inches			Inches			Inches		
Fractions	Decimals	Milli-meters	Fractions	Decimals	Milli-meters	Fractions	Decimals	Milli-meters
1/64	.015625	.397	23/64	11/32	3.4375	45/64	11/16	6.875
	.03125	.794			.359375			.703125
3/64	.046875	1.191	25/64	3/8	.375	47/64	23/32	.71875
	.0625	1.588			.390625			.734375
5/64	.078125	1.984	27/64	13/32	.40625	49/64	3/4	.750
	.09375	2.381			.421875			.765625
7/64	.109375	2.778	29/64	7/16	.4375	51/64	25/32	.78125
	.125	3.175			.453125			.796875
9/64	.140625	3.582	31/64	15/32	.46875	53/64	13/16	.8125
	.15625	3.969			.48376			.828125
11/64	.171875	4.366	33/64	1/2	.500	55/64	27/32	.84375
	.1875	4.763			.515625			.859375
13/64	.203125	5.159	35/64	17/32	.53125	57/64	7/8	.875
	.21875	5.556			.546875			.890625
15/64	.234375	5.953	37/64	9/16	.5625	59/64	29/32	.90524
	.250	6.350			.578125			.921875
7/64	.265625	6.747	39/64	19/32	.59375	61/64	15/16	.9375
	.28125	7.144			.609375			.953125
19/64	.296875	7.541	41/64	5/8	.625	63/64	31/32	.96875
	.3125	7.938			.640625			.984375
21/64	.328125	8.334	43/64	21/32	.65625		1	1.000
					.671875			17.463
								17.859
								18.256
								18.653
								19.050
								19.447
								19.844
								20.241
								20.638
								21.034
								21.431
								21.828
								22.225
								22.622
								23.019
								23.416
								23.813
								24.209
								24.606
								25.003
								25.400

**Table 29: Millimeter-Inch Equivalents: 1" = 25.4mm (.03937" = 1mm)**

Milli-meter	Decimal	Milli-meter	Decimal	Milli-meter	Decimal	Milli-meter	Decimal	Milli-meter	Decimal
1	.03937	52	2.04724	103	4.05511	154	6.06299	205	8.07086
2	.07874	53	2.08661	104	4.09448	155	6.10236	206	8.11023
3	.11811	54	2.12598	105	4.13385	156	6.14173	207	8.14960
4	.15748	55	2.16535	106	4.17322	157	6.18110	208	8.18897
5	.19685	56	2.20472	107	4.21259	158	6.22047	209	8.22834
6	.23622	57	2.24409	108	4.25196	159	6.25984	210	8.26771
7	.27559	58	2.28346	109	4.29133	160	6.29921	211	8.30708
8	.31496	59	2.32283	110	4.33070	161	6.33858	212	8.34645
9	.35433	60	2.36220	111	4.37007	162	6.37795	213	8.38582
10	.39370	61	2.40157	112	4.40944	163	6.41732	214	8.42519
11	.43307	62	2.44094	113	4.44881	164	6.45669	215	8.46456
12	.47244	63	2.48031	114	4.48818	165	6.49606	216	8.50393
13	.51181	64	2.51968	115	4.52755	166	6.53543	217	8.54330
14	.55118	65	2.55905	116	4.56692	167	6.57480	218	8.58267
15	.59055	66	2.59842	117	4.60629	168	6.61417	219	8.62204
16	.62992	67	2.63779	118	4.64566	169	6.65354	220	8.66141
17	.66929	68	2.67716	119	4.68503	170	6.69291	221	8.70078
18	.70866	69	2.71653	120	4.72440	171	6.73228	222	8.74015
19	.74803	70	2.75590	121	4.76377	172	6.77165	223	8.77952
20	.78740	71	2.79527	122	4.80315	173	6.81102	224	8.81889
21	.82677	72	2.83464	123	4.84252	174	6.85039	225	8.85826
22	.86614	73	2.87401	124	4.88189	175	6.88976	226	8.89763
23	.90551	74	2.91338	125	4.92126	176	6.92913	227	8.93700
24	.94488	75	2.95275	126	4.96063	177	6.96850	228	8.97637
25	.98425	76	2.99212	127	5.00000	178	7.00787	229	9.01574
26	1.02362	77	3.03149	128	5.03937	179	7.04724	230	9.05511
27	1.06299	78	3.07086	129	5.07875	180	7.08661	231	9.09448
28	1.10236	79	3.11023	130	5.11811	181	7.12598	232	9.13385
29	1.14173	80	3.14960	131	5.15749	182	7.16535	233	9.17322
30	1.18110	81	3.18897	132	5.19685	183	7.20472	234	9.21259
31	1.22047	82	3.22834	133	5.23622	184	7.24409	235	9.25196
32	1.25984	83	3.26771	134	5.27559	185	7.28346	236	9.29133
33	1.29921	84	.303708	135	5.31496	186	7.32283	237	9.33070
34	1.33858	85	3.34645	136	5.35433	187	7.36220	238	9.37007
35	1.37795	86	3.38582	137	5.39370	188	7.40157	239	9.40944
36	1.41732	87	.342519	138	.543307	189	7.44094	240	9.44881
37	1.45669	88	3.46456	139	.547244	190	7.48031	241	9.48818
38	1.49606	89	3.50393	140	5.51181	191	7.51968	242	9.52755
39	1.53543	90	3.54330	141	5.55118	192	7.55905	243	9.56692
40	1.57480	91	.358267	142	5.59055	193	7.59842	244	9.60629
41	1.61417	92	3.62204	143	5.62992	194	7.63779	245	9.64566
42	1.65354	93	3.66141	144	5.66929	195	7.67716	246	9.68503
43	1.69291	94	3.70078	145	5.70866	196	7.71653	247	9.72440
44	1.73228	95	3.74015	146	5.74803	197	7.75590	248	9.76377
45	1.77165	96	3.77952	147	5.78740	198	7.79527	249	9.80315
46	1.81102	97	3.81889	148	5.82677	199	7.83464	250	9.84252
47	1.85039	98	3.85826	149	5.86614	200	7.87401	251	9.88189
48	1.88976	99	3.89763	150	5.90551	201	7.91338	252	9.92126
49	1.92913	100	3.93700	151	5.94488	202	7.95275	253	9.96063
50	1.96850	101	3.97637	152	5.98425	203	7.99212	254	10.00000
51	2.00787	102	4.01574	153	6.02362	204	8.03149	-	-

## Metric System of Measurements

### Measures of Length

10	millimeters (mm.)	=	1 centimeter (cm.)
10	centimeters	=	1 decimeter (dm.)
10	decimeters	=	1 meter (m.)
1000	meter	=	1 kilometer (km.)

### Measure of Weight

10	milligrams (mg.)	=	1 centigram (cg.)
10	centigrams	=	1 decigram (dg.)
10	decigrams	=	1 gram (g.)
10	grams	=	1 decagram (Dg.)
10	decagrams	=	1 hectogram (Hg.)
10	hectograms	=	1 Kilogram (Kg.)
1000	kilograms	=	1 (metric) ton (T.)

### Surveyor's Square Measure

100	square meters (m.2)	=	1 are (ar.)
100	acres	=	1 hectare (har.)
100	hectares	=	1 sq. kilometer (Km.2)

### Square Measure

100	sq. millimeters (mm.2)	=	1 sq. centimeter (cm.3)
100	sq. centimeters	=	1 sq. decimeter (dm.2)
100	sq. decimeters	=	1 sq. meter (m.2)

### Cubic Measure

1000	cu. millimeters (mm.3)	=	1 cu. centimeter (cm.3)
1000	cu. centimeters	=	1 cu. decimeter (dm.3)
1000	cu. decimeters	=	1 cu. meter (m.3)

### Dry and Liquid Measure

10	milliliters (ml.)	=	1 centiliter (cl.)
10	centiliters	=	1 deciliter (dl.)
10	deciliters	=	1 liter (l.)
100	liters	=	1 hectoliter (Hl.)

1 liter = 1 cubic decimeter = the volume of 1 kilogram of pure water at a temperature of 39.2 degrees F.

### Length Conversion Constants for Metric and U.S. Units

Millimeters X.039370 = inches.  
Meters x 39.370 = inches.  
Meters X 3.2808 = feet.  
Meters X 1.09361 = yards.  
Kilometers X 3,280.8 = feet.  
Kilometers X.62137 = Statute Miles.  
Kilometers x.53959 = Nautical Miles.

Inches X 25.4001 = millimeters.  
Inches X.0254 = meters.  
Feet x.30480 = meters.  
Yards X.91440 = meters.  
Feet x.0003048 = kilometers.  
Statute Miles X 1.60935 = kilometers.  
Nautical Miles x 1.85325 = kilometers.

### Weight Conversion Constants for Metric and U.S. Units

Grams X 981 = dynes.  
Grams X 15.432 = grains.  
Grams X.03527 = ounces (Avd.).  
Grams x.033818 = fluid ounces (water).  
Kilograms X 35.27 = ounces (Avd.).  
Kilograms X 2.20462 = pounds (Avd.).  
Metric Tons (1000 Kg.) X 1.10231 = Net Ton (2000 lbs.).  
Metric Tons (1000 Kg.) X.98421 = Gross Ton (2240 lbs.).

Dynes X.0010193 = grams.  
Grains X.0648 = grams.  
Ounces (Avd.) X 28.35 = grams.  
Fluid Ounces (Water) X 29.57 = grams.  
Ounces (Avd.) X.02835 = kilograms.  
Pounds (Avd.) X.45359 = kilograms.  
Net Ton (2000 lbs.) X.90719 = Metric Tons (1000 Kg.).  
Gross Ton (2240 lbs.) X 1.01605 = Metric Tons (1000 Kg.).

### Area Conversion Constants for Metric and U.S. Units

Square Millimeters X.00155 = square inches.  
Square centimeters X.155 = square inches.  
Square Meters X 10.76387 = square feet.  
Square Meters X 1.19599 = square yards.  
Hectares X 2.47104 = acres.  
Square Kilometers X 247.104 = acres.  
Square Kilometers X.3861 = square miles.

Square Inches X 645.163 = square millimeters.  
Square Inches x 6.45163 = square centimeters.  
Square Feet x.0929 = square meters.  
Square Yards X.83613 = square meters.  
Acres X.40469 = hectares.  
Acres X.0040469 = square kilometers.  
Square Miles X 2.5899 = square kilometers.

### Volume Conversion Constants for Metric and U.S. Units

Cubic centimeters X.033818 = fluid ounces.  
Cubic centimeters X.061023 = cubic inches.  
Cubic centimeters X.271 = fluid drams.  
Liters X 61.023 = cubic inches.  
Liters X 1.05668 = quarts.  
Liters X .26417 = gallons.  
Liters X.035317 = cubic feet.  
Hectoliters X 26.417 = gallons.  
Hectoliters X 3.5317 = cubic feet.  
Hectoliters X 2.83794 = bushel (2150.42 cu. in.).  
Hectoliters X.1308 = cubic yards.  
Cubic Meters x 264.17 = gallons.  
Cubic Meters x 35.317 = cubic feet.  
Cubic Meters X 1.308 = cubic yards.

Fluid Ounces X 29.57 = cubic centimeters.  
Cubic Inches X 16.387 = cubic centimeters.  
Fluid Drams x 3.69 = cubic centimeters.  
Cubic Inches X.016387 = liters.  
Quarts x.94636 = liters.  
Gallons x 3.78543 = liters.  
Cubic Feet x 28.316 = liters.  
Gallons x.0378543 = hectoliters.  
Cubic Feet x.28316 = hectoliters.  
Bushels (2150.42 cu. in.) X.352379 = hectoliters.  
Cubic Yards x 7.645 = hectoliters.  
Gallons x.00378543 = cubic meters.  
Cubic Feet x.028316 = cubic meters.  
Cubic Yards x.7645 = cubic meters.

### Power and Heat Conversion Constants for Metric and U.S. Units

Calorie x 0.003968 = B.T.U.  
Joules X.7373 = pound-feet.  
Newton-Meters X 8.851 = pound-inches  
Cheval Vapeur X.9863 = Horsepower.  
Kilowatts X 1.34 = Horsepower.  
Kilowatt Hours X 3415 = B.T.U.  
(Degrees Cent. X 1.8) +32 = degrees Fahr.  
(Degrees Reamur X 2.25) + 32 = degrees Fahr.

B.T.U. X 252 = calories.  
Pound-Foot X 1.3563 = joules.  
Pound-inches X 1.1298 = Newton-meters.  
Horsepower X 1.014 = Cheval Vapeur.  
Horsepower X.746 = kilowatts.  
B.T.U. X.00029282 = kilowatt hours.  
(Degrees Fahr. - 32) x.555 = degrees Cent.  
(Degrees Fahr. - 32) x.444 = degrees Reamur.

## COMMON CONVERSION FACTORS USEFUL IN MECHANICAL POWER TRANSMISSION

### Symbols and Abbreviations Used in Conversion Factors

Symbols and abbreviations found in this section are those currently used in many texts and product publications. Considerable effort is underway to standardize on abbreviations for metric and English units of measurement. Recently, ASTM (American Society for Testing and Materials) and IEEE (Institute of Electrical and Electronic Engineers) published a standard practice on the metric system. † This publication consolidates a great deal of the current thinking and provides a system of abbreviations and symbols that differ somewhat from those used here.

This Handbook has retained use of familiar abbreviations consistent with existing product and trade literature rather than the abbreviations found in current publications of technical and scientific societies.

### Prefixes Used in the Metric System

Common prefixes and symbols used in the metric system are listed below. An example of use is 1000 meters is equivalent to 1 kilometer, and 1/1000 of one meter is equivalent to 1 millimeter.

Prefix	Symbol	Multiplication Factor-Decimal and Power of 10
giga	G	1,000,000,000 or 10 <sup>9</sup> or one billion
mega	M	1,000,000 or 10 <sup>6</sup> or one million
kilo	k	1,000 or 10 <sup>3</sup> or one thousand
*hecto	h	100 or 10 <sup>2</sup> or one hundred
*deka	da	10 or 10 <sup>1</sup> or ten
**deci	d	0.1 or 10 <sup>-1</sup> or one tenth
**centi	c	0.01 or 10 <sup>-2</sup> or one hundredth
mill	m	0.001 or 10 <sup>-3</sup> or one thousandth
micro	μ	0.000,001 or 10 <sup>-6</sup> or one millionth
nano	n	0.000,000,001 or 10 <sup>-9</sup> or one billionth

- \* Not commonly used.
- \*\* Not commonly used except for special situations.  
The centimeter as a unit of length is in common use.  
The decibel is a unit in both electrical and acoustical work.

† ASTM/IEEE Standard Metric Practice, ASTM E 380-75, IEEE Std. 268-1976.

“Reprinted with Permission of the Power Transmission Distributors Association”

# ENGINEERING/TECHNICAL



Symbol or Abbreviation	Term
atm	atmosphere
avdp	avoirdupois
bbl	barrels
bu	bushels
C	degrees Centigrade or Celsius
cc	cubic centimeters
cfm	cubic feet per minute
cfs	cubic feet per second
cm	centimeter
cu	cubic
deg	degrees
F	degrees Fahrenheit
fps	feet per second
ft	feet
ft-lb	foot-pounds (work or energy)
ft per sec	feet per second (alternate)
ft per sec <sup>2</sup>	feet per second per second
g	acceleration due to gravity
g	grams
gal	gallons
gpm	gallons per minute
hp	horsepower
hr	hour
in	inches
in-lb	inch-pounds (work or energy)
K	degrees Kelvin
kg	kilograms
km	kilometers
kn	knots
kW	kilowatts

Symbol or Abbreviation	Term
l	liters
lb	pounds
lb-ft	pound-feet (torque)
m	meters
m per sec <sup>2</sup>	meters per second per second
mi	miles
mm	millimeters
mph	miles per hour
MGD	millions of gallons per day
N	Newtons
oz	ounces
oz-in	ounce-inches (torque)
Pa	Pascals
psi	pounds per square inch
psia or psig	pounds per square inch "absolute" or gauge
pt	pint
qt	quart
R	degrees Rankine (Fahrenheit, absolute)
rad	radians
rev	revolutions
rpm	revolutions per minute
sec	seconds
sq	square
std	standard
temp	temperature
wt	weight
yd	yard
yr	year

## Rounding of Numbers

A minimum of four significant figures are used in conversion factors presented here. Where the conversion factor is exact (for example, 1 foot contains 12 inches), decimal fractions are not necessary. Also, where large whole numbers are used (for example, 1 square kilometer contains 1195990 square yards), decimal fractions are not used unless justified by the accuracy of ordinary computations.

1195990	(sq yd in a sq km)
4389.12	(cc in a cu ft)
448.86	(gpm in a liter per sec)
14.70	(psi in an atmosphere)
0.4331	(psi in a ft of water)
0.0625	(lb-in in an oz-in)

## VELOCITY

centimeters per second (cm per sec) . . . . .	feet per second (fps or ft per sec) . . . . .	0.3281
feet per second (fps) . . . . .	centimeters per second (cm per sec) . . . . .	30.48
	meters per second (m per sec) . . . . .	0.3048
	kilometers per hour (km per hr) . . . . .	1.097
	miles per hour (mph) . . . . .	0.6818
kilometers per hour (km per hr) . . . . .	knots (kn) . . . . .	0.5396
	feet per second (fps) . . . . .	1.467
	kilometers per hour (km per hr) . . . . .	1.609
	feet per minute (ft per min.) . . . . .	88
knots (kn) . . . . .	miles per hour (mph) . . . . .	1.152
	kilometers per hour (km per hr) . . . . .	1.853
radians per second (rad per sec) . . . . .	revolutions per minute (rpm) . . . . .	9.55
	degrees per minute (deg per min.) . . . . .	3437.7
revolutions per minute (rpm) . . . . .	radians per second (rad per sec) . . . . .	0.1047
	degrees per minute (deg per min.) . . . . .	360

## ACCELERATION COLUMN A

To Convert From...	To...	Multiply Col. A by
feet per second per second (ft per sec <sup>2</sup> )	meters per second per second (m per sec <sup>2</sup> ) . . . . .	0.3048
m per sec <sup>2</sup>	ft per sec <sup>2</sup> . . . . .	3.281
revolutions per minute per second (rpm per sec)	radians per second per second (rad per sec <sup>2</sup> ) . . . . .	0.1047
rad per sec <sup>2</sup>	rpm per sec . . . . .	9.55

**ENGINEERING/TECHNICAL****VOLUMETRIC FLOW RATES**

gallons per minute, US (gpm)	liters per second (l per sec)	0.008434
	cubic feet per minute (cfm)	0.1337
	cubic feet per hour (cu ft per hr)	8.022
gallons per minute, UK or Canadian (gpm)	liters per second (l per sec)	0.0101
	cubic feet per minute (cfm)	0.1606
	cubic feet per hour (cu ft per hr)	9.634
cubic feet per second (cfs)	gpm (UK or Canadian)	373.77
	gpm (US)	448.86
	liters per second (l per sec)	1699.2
liters per second (l per sec)	cubic feet per minute (cfm)	2.119
	gpm (UK or Canadian)	13.20
	gpm (US)	15.85
millions of gallons per day, US (MGD)	liters per second (l per sec)	43.81
	cubic feet per minute (cfm)	92.85
	gallons per minute, US (gpm)	694.44

**PRESSURE**

pascals (Pa)	pounds per square inch (psi)	0.0001450
	pounds per square foot (lb per ft <sup>2</sup> )	0.02089
	newtons per square meter	1
pounds per square inch (psi)	atmospheres, std. (atm)	0.0680
	pounds per square foot (lb per ft <sup>2</sup> )	144
	pascals (Pa)	6894.8
atmospheres (atm), standard	foot of water (ft of H <sub>2</sub> O) 60F	2.301
	psi	14.70
	lb per ft <sup>2</sup>	2116.8
inch of water, 60F (in of H <sub>2</sub> O)	Pa	101325
	psi	0.03609
	lb per ft <sup>2</sup>	5.197
foot of water, 60F (ft of H <sub>2</sub> O)	Pa	248.84
	psi	0.4331
	lb per ft <sup>2</sup>	62.36
	Pa	2985.9

**WEIGHT, MASS, INERTIA**

pounds (lb)*	kilograms (kg)	0.4536
	ounces (oz)	16
kilograms (kg)	pounds (lb)	2.205
	ounces (oz)	35.27



## WEIGHT, MASS, INERTIA, continued COLUMN A

Convert From	To	Multiply Col A By This Factor
tons (short) .....	metric tons .....	0.9072
	kilograms (kg) .....	907.2
	pounds (lb) .....	2000
metric tons .....	tons (short) .....	1.102
	kilograms .....	1000
	pounds .....	2205
pounds, weight (lb) .....	slugs, mass (lb-sec <sup>2</sup> per ft) .....	0.03106
pound-foot <sup>2</sup> (lb-ft <sup>2</sup> ) .....	kilogram-meters <sup>2</sup> (kg-m <sup>2</sup> ) .....	0.04214
*pounds and ounces are avoirdupois		

### FORCE AND TORQUE

pounds (lb) .....	newtons(N) .....	4.448
newtons (N) .....	pounds (lb) .....	0.2248
newton-meters (N-m) .....	pound-feet (lb-ft) .....	0.7376
	pound-inches (lb-in) .....	8.851
	ounce-inches (oz-in) .....	141.60
ounce-inches (oz-in) .....	lb-ft .....	0.005208
	N-m .....	0.007062
	lb-in .....	0.0625
pound-inches (lb-in) .....	lb-ft .....	0.0833
	N-m .....	0.1298
	oz-lin .....	16
pound-feet (lb-ft) .....	N-m .....	1.356
	lb -in .....	12
	oz-lin .....	192

### POWER

horsepower (hp) .....	kilowatts (kW) .....	0.7457
	foot-pounds per second (ft-lb per sec) .....	550
	foot-pounds per minute (ft-lb per min.) .....	33000
kilowatts (kW) .....	horsepower (hp) .....	1.341

### TEMPERATURE

		Use This Relationship
degrees Fahrenheit (F) .....	degrees Celsius (C) .....	$C = 5/9 (F-32)$
degrees Celsius (C) .....	degrees Fahrenheit (F) .....	$F = 9/5C + 32$
degrees Fahrenheit (F) .....	degrees Rankine (R) .....	$R = F + 459.69$
degrees Celsius (C) .....	degrees Kelvin (K) .....	$K = C + 273.16$

Examples:

1. Convert 12F to C.  $C = 5/9 (F-32) = 5/9 (12-32) = 5/9 (-20)$   
Answer = -11.1C
2. Convert 40C to F.  $F = 9/5C + 32 = 9/5 (40) + 32 = 72 + 32$   
Answer = 104F

## GRAVITATIONAL CONSTANT

g = 32.174 feet per second per second (ft per sec<sup>2</sup>)  
 = 9.8067 meters per second per second (m per sec<sup>2</sup>)

## APPROXIMATE DENSITIES OF COMMON MATERIALS

### REPRESENTATIVE DENSITIES

Grams per cc

lb per cu ft

#### GASES @ 68F, std atm

Air	1.30 grams per liter	0.07528
Oxygen	1.45 grams per liter	0.08305
Hydrogen	0.09 grams per liter	0.005234
Nitrogen	1.25 grams per liter	0.07274
All Other Materials		
grams per cc		

#### LIQUIDS

Water @ 4C	1.000 grams per cc	62.43
20C	0.998	62.32
40C	0.992	61.94
SeaWater	1.02-1.03	64.00
Ethyl alcohol 100%	0.789	49.2
Kerosene	0.78-0.82	50
Gasoline	0.70-0.75	45

#### METALS

Aluminum (95% Al)	2.70	169
Bronze (90% Cu, 10% Zn)	8.80	549
Copper (Annealed, ACS)	8.89	555
Gold	19.32	1206
Iron, gray cast	7.10	443
Lead	11.36	709
Magnesium	1.74	109
Steel (0.4-0.5% Carbon)	7.80	487
Steel, 410 stainless	7.70	480

#### ENGINEERING PLASTICS

ABS, general purpose	1.01-1.05	64
Acrylics, cast sheet	1.19	74
Nylon 6/6	1.13-1.15	71
Phenolic, general purpose	1.35-1.46	87
Polycarbonates, general purpose	1.2	75
Polyesters, thermoplastic, unreinforced	1.31 - 1.43	86
Polyethylene, medium density	0.926-0.940	58
Polyvinyl Chloride	1.30-1.58	89

## APPROXIMATE DENSITIES OF COMMON MATERIALS

	REPRESENTATIVE DENSITIES	
	Grams per cc	lb per cu ft
<b>OTHER MATERIALS</b>		
Concrete (stone and sand) . . . . .	2.2-2.4 . . . . .	144
Limestone . . . . .	1.5 . . . . .	94
Anthracite coal, not piled . . . . .	1.4-1.8 . . . . .	100
Bituminous coal, not piled . . . . .	1.2-1.5 . . . . .	83
Lignite coal, not piled . . . . .	1.1-1.4 . . . . .	78
Wood, air dried:		
Douglas fir . . . . .	0.48-0.55 . . . . .	32
White oak . . . . .	0.77 . . . . .	48
White maple . . . . .	0.53 . . . . .	33
Oregon pine . . . . .	0.51 . . . . .	32
Hickory . . . . .	0.74-0.80 . . . . .	48
Mahogany . . . . .	0.56-0.85 . . . . .	44
African teak . . . . .	0.99 . . . . .	62
Indian teak . . . . .	0.66-0.88 . . . . .	48

### Formulas and Constants

1 HP = 33,000 Foot-pounds of work per minute.

1 HP = .746 K.W. = K.W.P 1.341.

1 HP = 2547 B.T.U. per hour.

1 B.T.U. = Heat required to raise 1 lb. water 1-F.

1 B.T.U. = 777.6 Foot-pounds work.

1 Kilowatt Hour = 3415 B.T.U.

Heat Value of Carbon = 14,600 B.T.U. per pound.

Latent Heat of Fusion of Ice = 143.15 B.T.U. per pound.

Latent Heat of Evaporation of Water at 212° F. =  
970.4 B.T.U. per pound.

Total Heat of Saturated Steam at atmospheric pressure =  
1,150.4 B.T.U. per pound.

1 Ton of Refrigeration = 288,000 B.T.U. per 24 hours.

g = Acceleration of Gravity (commonly taken as 32.16  
feet per second per second).

1 Radian = 57.296 degrees.

1 Meter = 100 cm. = 39.37 inches.

1 Kilometer = .62137 miles.

1 Gallon = 231 cubic inches.

1 Barrel = 31.5 gallons.

Atmospheric Pressure = 14.7 pounds per sq. in. = 29.92  
inches mercury at 32° F.

1 Lb. per Sq. In. Pressure = 2.3095 feet fresh water at  
62° F. = 2.0355 inches mercury at 32° F. = 2.0416  
inches mercury at 62° F.

Water Pressure (pounds per sq. in.) = .433 X height of water in feet  
(Fresh water at 62°F).

Weight of 1 cu. ft. fresh Water = 62.355 lbs. at 62°F. =  
59.76 lbs. at 212° F.

Weight of 1 cu. ft. Air at 14.7 lbs. per sq. in. Pressure =  
.07608 lbs. at 62° F. = .08073 lbs. at 32° F.

† Also look in the General Index under Weights, Measures, or the  
subject material required.

## Flywheel Formulas

**Flywheels** are used on some machines, for example air compressors, to even out load pulsations. The following formulas are useful in designing entire flywheels and flywheel rims. A V-belt sheave may also be used as a flywheel eliminating the need for a separate flywheel in the system.

### Formulas for Entire Flywheel

Kinetic energy of rotation of a flywheel (foot pounds)  
 $= .0001705 N_2^2(WR^2)^*$ .

Torque to uniformly accelerate or decelerate a flywheel

$$= \frac{.03908 (N_2 - N_1) (WR^2), * \text{ pound-inches}}{t}$$

where  $N_2$  = final R.P.M. and  $N_1$  = initial R.P.M.

Velocity at outside diameter (feet per minute) = 0.2618 ND.

W = weight (pounds).

R = radius of gyration (feet).

N = speed (R.P.M.)

t = time to change from  $N_1$  to  $N_2$  (seconds).

F = face of rim (inches).

D = outside diameter of rim (inches).

d = inside diameter of rim (inches).

K = weight per cubic inch of material (pounds).

\* $WR^2$  = flywheel effect (pounds X feet<sup>2</sup>). See table to the right for  $WR^2$  of rims. Ordinarily the  $WR^2$  of the rim only is considered. In unusual instances the relatively small  $WR^2$  values of the hub and arms or web can be added directly to the  $WR^2$  of the rim if desired. To find

the  $WR^2$  of a hub or web use the  $WR^2$  formula for rims, substituting the hub or web outside diameter, inside diameter, and width for D, d and F respectively. When arms are used instead of a web an approximate  $WR^2$  value of the arms is the total weight of the arms in pounds times the square of the radius in feet from the shaft center line to the mid point of the arms between hub and rim.

**Table 30: Formulas for Flywheel Rims**

Property	Cast Iron Rim (Based on .26 lbs. per cu. in.)	Steel Rim (Based on .283 lbs. per cu. in.)	Rim of any material weighing K pounds per cubic inch
Volume (Cubic Inches)	.7854F(D <sup>2</sup> -d <sup>2</sup> )	.7854F(D <sup>2</sup> -d <sup>2</sup> )	.7854F(D <sup>2</sup> -d <sup>2</sup> )
W Weight (Pounds)	.2042F(D <sup>2</sup> -d <sup>2</sup> )	.2223F(D <sup>2</sup> -d <sup>2</sup> )	.7854FK(D <sup>2</sup> -d <sup>2</sup> )
R Radius of Gyration (Feet)	$\sqrt{\frac{.8681 (D^2-d^2)}{1000}}$	$\sqrt{\frac{0.8681 (D^2-d^2)}{1000}}$	$\sqrt{\frac{.8681 (D^2-d^2)}{1000}}$
$WR^2$ Wt X Sq. of Radius of Gyration (Lbs. X Ft. <sup>2</sup> )	$\frac{.1773F(D^4-d^4)}{1000}$	$\frac{.1929F(D^4-d^4)}{1000}$	$\frac{.6818FK(D^4-d^4)}{1000}$
T ▲ Tensile Load in rim (Lbs.)	$\frac{.3078FN2(D^3-d^3)}{1000000}$	$\frac{.3350FN2(D^3-d^3)}{1000000}$	$\frac{1,184FKN2(D^3-d^3)}{1000000}$

▲ Centrifugal force causes this tensile load at each and every section of the rim. Hence, on rims split into two or more sections the fastening at each joint should be designed to take the full load as calculated from the formula here given.

## Centrifugal Force

R = Distance from the axis of rotation to the center of gravity of the body (feet).

N = Revolutions per minute.

v = Velocity of the center of gravity of the body (feet per second).

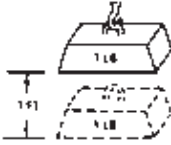
g = Acceleration due to gravity (32.16 commonly).

$$F = \frac{Wv^2}{gR} = \frac{WRN^2}{2933} = .000341 WRN^2$$

F = Centrifugal force tending to move the body outward from the axis of rotation (pounds).

W = Weight of body (pounds).

## Torque and Horsepower Equivalentents



A foot-pound is the amount of energy expended in lifting a one-pound mass a distance of one foot against the pull of gravity

### FOOT-POUNDS INDICATE ENERGY

$$\begin{aligned} \text{Torque (in Pound-Inches)} &= \frac{63025 \times \text{HP}}{\text{RPM}} \\ &= \text{Force} \times \text{Lever Arm (In Inches)} \\ \text{Torque (in Pound-Feet)} &= \frac{5252 \times \text{HP}}{\text{RPM}} \\ &= \text{Force} \times \text{Lever Arm (In Feet)} \end{aligned}$$

Force = Working Load in Pounds.  
 FPM = Feet Per Minute.  
 RPM = Revolutions Per Minute.  
 Lever Arm = Distance from the Force to the center of rotation in Inches or Feet.

HORSEPOWER
Common Unit of Mechanical power - (HP)
One HP is the rate of work required to raise 33,000 pounds one foot in one minute

An overhung load is a bending force imposed on a shaft due to the torque transmitted by V-drives, chain drives and other power transmission devices, other than flexible couplings.

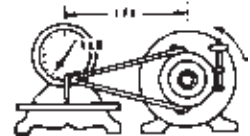
Most motor and reducer manufacturers list the maximum values allowable for overhung loads. It is desirable that these figures be compared with the load actually imposed by the connected drive.

Overhung loads may be calculated as follows:

$$\text{O.H.L.} = \frac{63,000 \times \text{HP} \times \text{F}}{\text{N} \times \text{R}}$$

Where HP = Transmitted hp X service factor  
 N = RPM of shaft  
 R = Radius of sprocket, pulley, etc. (inches)  
 F = Factor (See chart to right)

TORQUE
It is: a turning moment or twisting effort. Is it expressed in foot-pounds? or pound-feet?



A pound-foot is the moment created by a force of one pound applied to the end of a lever arm one

### POUND-FEET INDICATE TORQUE

#### Example:

$$\begin{aligned} 25 \text{ HP at } 150 \text{ RPM} &= 10504 \text{ Pound-Inches Torque} \\ 2.5 \text{ HP at } 150 \text{ RPM} &= 1050.4 \text{ Pound-Inches Torque} \end{aligned}$$

For other values of RPM move decimal point in RPM values to the left or right as desired, and in Torque values move to the right or left (opposite way) the same number of places.

#### Example:

$$\begin{aligned} 25 \text{ HP at } 150 \text{ RPM} &= 10504 \text{ Pound-Inches Torque} \\ 25 \text{ HP at } 1.50 \text{ RPM} &= 1050400 \text{ Pound-Inches Torque} \\ 2.5 \text{ HP at } 1.50 \text{ RPM} &= 105040 \text{ Pound-Inches Torque} \end{aligned}$$

$\text{HP} = \frac{\text{Force} \times \text{FPM}}{33,000}$   
 $\text{HP} = \frac{\text{Torque (in Pounds-Inches)} \times \text{RPM}}{63,025}$   
 $\text{HP} = \frac{\text{Torque (in Pounds-Feet)} \times \text{RPM}}{5,252}$

### Overhung Loads

Weights of the drive components are usually negligible. The formula is based on the assumption that the load is applied at a point equal to one shaft diameter from the bearing face. Factor F depends on the type of drive used:

$$F = \begin{cases} 1.00 & \text{for single chain drives.} \\ 1.3 & \text{for TIMING Belt Drives and HTD belt Drives.} \\ 1.25 & \text{for spur or helical gear or double chain drives.} \\ 1.50 & \text{for V-belt drives.} \\ 2.50 & \text{for flat belt drives.} \end{cases}$$

Example: Find the overhung load imposed on a reducer by a double chain drive transmitting 7 hp @ 30 RPM. The pitch diameter of the sprocket is 10"; service factor is 1.3.

Solution:

$$\text{O.H.L.} = \frac{(63,000) (7 \times 1.3) (1.25)}{(30) (5)} = 4,780 \text{ lbs.}$$

### Mathematical Equations

- To find circumference of a circle, multiply diameter by 3.1416.
- To find diameter of a circle, multiply circumference by .31831.
- To find area of a circle, multiply square of diameter by .7854.
- To find area of a rectangle, multiply length by breadth.
- To find area of a triangle, multiply base by 1/2 perpendicular height.
- To find area of ellipse, multiply product of both diameters by .7854.
- To find area of parallelogram, multiply base by altitude.
- To find side of an inscribed square, multiply diameter by 0.7071 or multiply circumference by 0.2251 or divide circumference by 4.4428.

- To find side of inscribed cube, multiply radius of sphere by 1.1547.
- To find side of an equal square, multiply diameter by .8862.
- To find the surface of a sphere, square the diameter and multiply by 3.1416.
- To find the volume of a sphere, cube the diameter and multiply by .5236.
- A side of a square multiplied by 1.4142 equals diameter of its circumscribing circle.
- A side of a square multiplied by 4.443 equals circumference of its circumscribing circle.

# ENGINEERING/TECHNICAL


**Table 31: Strength and Physical Properties of Various Metals**

Metals and Alloys	Stress in Thousands of Pounds per Sq. Inch				Modulus of Elasticity Millions	Elongation%
	Tension Ultimate	Tension Yield Point	Compression Ultimate	Shear Ultimate		
Aluminum, Type 1100-0, Annealed	13	5	.....	9	10	45
Aluminum, Type 1100-H18, Hard	24	22	.....	13	10	15
Aluminum, Type 3003-0, Annealed	16	6	.....	11	10	40
Aluminum, Type 3003-H18, Hard	29	27	.....	16	10	10
Aluminum, Type 5052-0, Annealed	28	13	.....	18	10.20	30
Aluminum, Type 5052-H38, Hard	42	37	.....	24	10.20	8
Aluminum, Type 5056-0, Annealed	42	22	.....	26	10.30	35
Aluminum, Type 2014-0, Annealed	27	14	.....	18	10.60	18
Aluminum, Type 2014-T4, Heat Treated	62	42	.....	38	10.60	20
Aluminum, Type C4A, Casting, Solution Heat Treat	32	16	16▲	24	.....	8.50
Aluminum, Type S5C, As Die Cast	30	16	16▲	19	.....	9
Brass, Admiralty, Annealed	53	22	.....	.....	16	65
Brass, Aluminum, Annealed	60	27	.....	.....	16	55
Brass, Cartridge, 30% Zn, Annealed	44	11	.....	32	16	66
Brass, Cartridge, 30% Zn, Hard	76	63	.....	44	16	8
Brass, Naval, Annealed	57†	25†	.....	40 †	15	47†
Brass, Naval, Leaded, Annealed	57†	25†	.....	36 †	15	40†
Brass, Red, 15% Zn, Annealed	39	10	.....	31	17	48
Brass, Red, 15% Zn, Hard	70	57	.....	42	17	5
Brass, Red, Leaded, Cast, Grade 4A	33-46	17-24	10-12▲	.....	9.1-14.8	20-35
Brass, Red, Leaded, Cast, Grade 4B	30-38	12-17	11-12▲	.....	.....	15-27
Brass, Semi-Red, Leaded, Cast, Grade 5A	29-39	13-17	.....	.....	7.7-14.3	18-30
Brass, Semi-Red, Leaded, Cast, Grade 5B	30-40	12-16	8-10▲	.....	10-14	20-35
Brass, Yellow, 35% Zn, Annealed	46	14	.....	32	15	65
Brass, Yellow, 35% Zn, Hard	74	60	.....	43	15	8
Bronze, Aluminum, As Cast	67-95	27-45	.....	.....	15-18	5-35
Bronze, Commercial, 10% Zn, Annealed	37†	10†	.....	28 †	17	45=
Bronze, Manganese, Annealed	65†	30†	.....	42 v	15	33=
Bronze, Phosphor, Annealed	40-66	14-24	.....	.....	16-17	48-70
Bronze, Tin, High Leaded, Cast	23-38	11-22	12-16▲	.....	8.5-13	7-20
Bronze, Tin, Leaded, Cast	33-48	16-26	9-15▲	.....	10.6-16	15-40
Copper, Beryllium, Annealed	60-80	25-35v	.....	50-60 †	19	35-50†
Copper, Electrolytic, Tough Pitch, Annealed	32†	10†	.....	22 †	17	45†
Inconel, Cast	65-90	.....	.....	.....	23	10-20
Inconel, S, Cast	90-120	80-100	.....	.....	25	1-3
Inconel, Shapes, Plate, Etc., Annealed	80-100†	30-45†	.....	.....	31	35-55†
Inconel, X, Shapes, Plate, Etc., Annealed	110-130†	45-65†	.....	.....	31	40-55†
Iron, Cast, Class 30	30-34	.....	115	44	15	.....
Iron, Cast, Class 35	35-40	.....	125	43	16	.....
Iron, Ingot, Hot Rolled	44	23	.....	.....	29.80	47
Iron, Malleable, Class 32510	50	33	90	46	25	10-18
Iron, Malleable, Class 35018	55	37	90	51	25	18-25
Iron, Nodular (Ductile) Class 60-45-10	60	45	120	.....	22-25	10-25
Iron, Nodular (Ductile) Class 80-60-3	80	60	160	.....	22-25	3-10
Iron, Pearlitic, Malleable	60-90	40-70	.....	.....	28	3-12
Iron, Wrought, Hot Rolled	34-47	23-24	.....	.....	29	7-35
Lead, Hard, Rolled	4.0-4.6	.....	.....	.....	.....	31-48
Magnesium Alloy, Extruded, ASTM M1A	26-28	23-28	10-13	16	6.50	8-11
Magnesium Alloy, Extruded, ASTM AZ61A-F	40-45	22-32	15-21	21	6.50	15-16
Magnesium Alloy, Cast, ASTM M1B	14	4.50	.....	11	6.50	5
Magnesium Alloy, Cast, ASTM AZ92A	24	14	.....	19	6.50	2
Magnesium Alloy, Cast, ASTM AZ91A	36	23	.....	20	6.50	4
Monel, Cast	65-90	32-45	.....	.....	23	20-50
Monel, S, Cast	120-145	80-130	.....	.....	24.20	1-4
Monel, Shapes, Plate, Etc., Annealed	70-85†	25-45†	.....	.....	26	35-50†
Monel, K, Shapes, Plate, Etc., Annealed	90-105†	40-65†	.....	26	25-45	35-55†
Muntz Metal, Cu 59.63%, Zn balance	54	21	.....	40	15	45
Nickel, Cast	50-65	15-30	.....	.....	21.50	15-30
Nickel, Silver, Annealed	49-63†	18-30†	.....	.....	17-18	35-60†
Steel, Cast Carbon, Class 70,000 Normalized	70	38	.....	.....	30	28
Steel, Cast Low Alloy, Class 100,000, Normalized and Tempered	100	68	.....	.....	29-30	20
Steel, Cast Low Alloy, Class 120,000, Quenched and Tempered	120	95	.....	.....	29-30	16
Steel, Cast Low Alloy, Class 200,000, Quenched and Tempered	200	170	.....	.....	29-30	5
Steel, Sheets	48	25	.....	.....	29-30	18-27
Steel, Stainless, Austenitic, Types 304, 316	85	35	.....	.....	28	55-60
Steel, Stainless, Martensitic, Type 416	75	40	.....	.....	29	30
Steel, Structural, Bridge and Building, ASTM A7	60-72	33	33▲	45-54	29-30	21
Steel, Structural, High Strength, Low Alloy, ASTM A242	63-70	42-50	42-50▲	47-53	29-30	18-24
Zinc, Die Cast Alloy XXIII	41	.....	60▲	31	.....	10

† When hardened, strength values are higher, elongation less

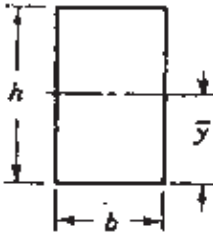
▲ Compression yield point

**Table 32: Properties of Sections**

$A$  = area  
 $I$  = moment of inertia  
 $J$  = polar moment of inertia

$Z$  = section modulus  $\pi$   
 $k$  = radius of gyration  
 $\bar{y}$  = centroidal distance

**Rectangle**



$$A = bh$$

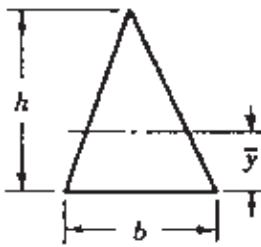
$$k = 0.289h$$

$$I = \frac{bh^3}{12}$$

$$\bar{y} = \frac{h}{2}$$

$$Z = \frac{bh^2}{6}$$

**Triangle**



$$A = \frac{bh}{2}$$

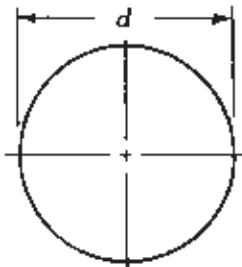
$$k = 0.236h$$

$$I = \frac{bh^3}{36}$$

$$\bar{y} = \frac{h}{3}$$

$$Z = \frac{bh^2}{24}$$

**Circle**



$$A = \frac{\pi d^2}{4}$$

$$J = \frac{\pi d^4}{32}$$

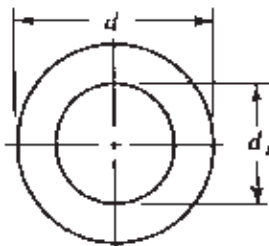
$$I = \frac{\pi d^4}{64}$$

$$k = \frac{d}{4}$$

$$Z = \frac{\pi d^3}{32}$$

$$\bar{y} = \frac{d}{2}$$

**Hollow Circle**



$$A = \frac{\pi d}{4} (d^2 - d_i^2)$$

$$J = \frac{\pi}{32} (d^4 - d_i^4)$$

$$I = \frac{\pi}{64} (d^4 - d_i^4)$$

$$k = \sqrt{\frac{d^2 - d_i^2}{16}}$$

$$Z = \frac{\pi}{32d} (d^4 - d_i^4)$$

$$\bar{y} = \frac{d}{2}$$

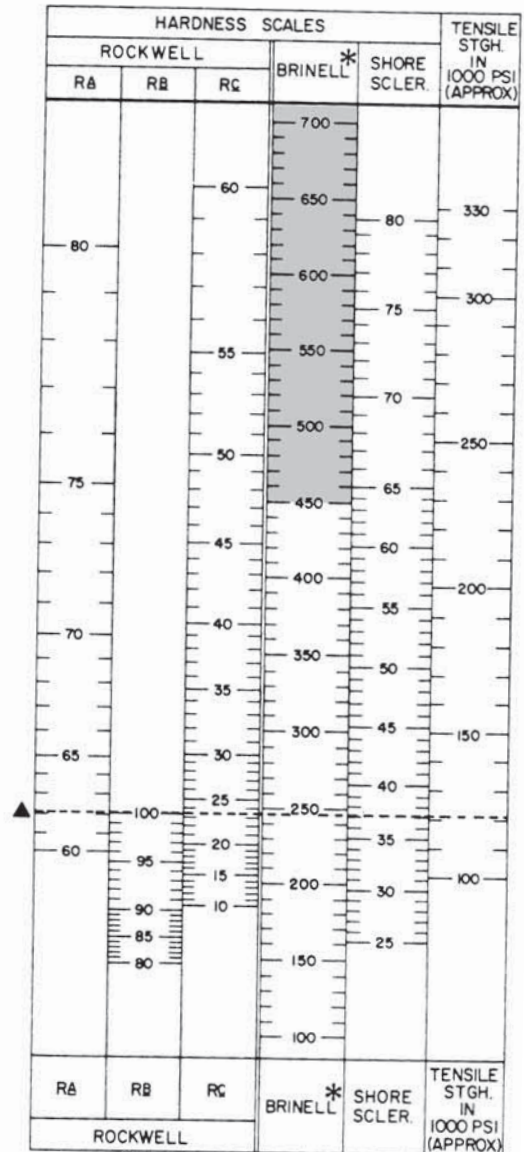
**Table 33: Coefficients of Friction "f"**

Material	Static		Sliding	
	Dry	Lubricated	Dry	Lubricated
Aluminum on aluminum	1.35	....	....	....
Canvas belt on rubber lagging	0.30	....	....	....
Canvas belt, stitched, on steel	....	....	0.20	0.10
Canvas belt, woven, on steel	....	....	0.22	0.10
Cast iron on asbestos, fabric brake material	....	....	0.35-0.40	....
Cast iron on brass	....	....	0.30	....
Cast iron on bronze	....	....	0.22	0.07-0.08
Cast iron on cast iron	1.10	....	0.15	0.06-0.10
Cast iron on copper	1.05	....	0.29	....
Cast iron on lead	....	....	0.43	....
Cast iron on leather	0.60	....	....	0.13-0.36
Cast iron on oak (parallel)	....	....	0.30-0.50	0.07-0.20
Cast iron on magnesium	....	....	0.25	....
Cast iron on steel, mild	....	0.18	0.23	1/0/00 3:11
Cast iron on tin	....	....	0.32	....
Cast iron on zinc	0.85	....	0.21	....
Earth on earth	0.25-1.0	....	....	....
Glass on glass	0.94	....	0.40	....
Hemp rope on wood	0.50-0.80	....	0.40-0.70	....
Nickel on nickel	1.10	....	0.53	0.12
Oak on leather (parallel)	0.50-0.60	....	0.30-0.50	....
Oak on oak (parallel)	0.62	....	0.48	0.16
Oak on oak (perpendicular)	0.54	....	0.32	0.07
Rubber tire on pavement	0.8-0.9	0.6-0.7 *	0.75-0.85	0.5-0.7 *
Steel on ice	0.03	....	0.01	....
Steel, hard, on babbit	0.42-0.70	0.08-0.25	0.33-0.35	0.05-0.16
Steel, hard, on steel, hard	0.78	0.11-0.23	0.42	0.03-0.12
Steel, mild, on aluminum	0.61	....	0.47	....
Steel, mild, on brass	0.51	....	0.44	....
Steel, mild, on bronze	....	....	0.34	0.17
Steel, mild, on copper	0.53	....	0.36	0.18
Steel, mild, on steel, mild	0.74	....	0.57	0.09-0.19
Stone masonry on concrete	0.76	....	....	....
Stone masonry on ground	0.65	....	....	....
Wrought iron on bronze	0.19	0.07-0.08	0.18	....
Wrought iron on wrought iron	....	0.11	0.44	0.08-0.10

\* Wet pavement

**Table 34: U.S. Standard Sheet Metal Gages**

Gage No.	Thickness in Decimal Parts of an Inch	Gage No.	Thickness in Decimal Parts of an Inch
1	.2813	20	.0359
2	.2656	21	.0329
3	.2391	22	.0299
4	.2242	23	.0269
5	.2092	24	.0239
6	.1943	25	.0209
7	.1793	26	.0179
8	.1644	27	.0164
9	.1495	28	.0149
10	.1345	29	.0135
11	.1196	30	.0120
12	.1046	31	.0109
13	.0897	32	.0102
14	.0747	33	.0094
15	.0673	34	.0086
16	.0598	35	.0078
17	.0538	36	.0070
18	.0478	37	.0066
19	.0418	38	.0063

**Hardness Comparison Chart**


\* Shaded area indicates values may vary depending on type of ball used.

▲ Example: A Brinell number of 245 is equal to 62 Rockwell "A", 100 Rockwell "B", 23 Rockwell "C", 37 Shore with a tensile of approximately 120,000 psi.



Trigonometric Formula

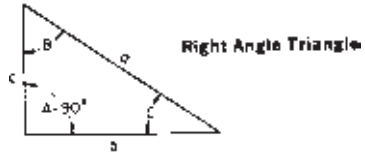
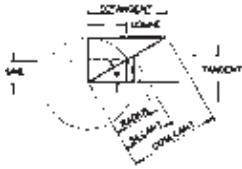


Table 35: Formulas for Finding Functions of Angles

Side opposite Hypotenuse	=	SINE
Side adjacent Hypotenuse	=	COSINE
Side opposite Side adjacent	=	TANGENT
Side adjacent Side opposite	=	COTANGENT
Hypotenuse Side adjacent	=	SECANT
Hypotenuse Side opposite	=	COSECANT

Table 36: Formulas for Finding Sides of Right Angle Triangles with an Angle and Side Known

To find: Length of side opposite	{	Hypotenuse x Sine Hypotenuse ÷ Coscant Side adjacent x Tangent Side adjacent ÷ Cotangent
To find: Length of side adjacent	{	Hypotenuse X Cosine Hypotenuse ÷ Secant Side opposite X Cotangent Side opposite ÷ Tangent
To find: Length of Hypotenuse	{	Side opposite X Cosecant Side opposite ÷ Sine Side adjacent X Secant Side adjacent ÷ Cosine

Table 37: To Find Angles and Sides of Right Angle Triangles

To Find Angles			To Find Angles		
To Find:	Formulas		To Find:	Formulas	
C	$\frac{c}{a}$	= Sine C	a	$\sqrt{b^2 + c^2}$	---
C	$\frac{b}{a}$	= Cosine C	a	c x Cosec. C	$\frac{c}{\text{Sine C}}$
C	$\frac{c}{b}$	= Tan. C	a	c x Secant B	$\frac{c}{\text{Cosine B}}$
C	$\frac{b}{c}$	= Cotan C	a	b x Cosec. B	$\frac{b}{\text{Sine B}}$
C	$\frac{a}{b}$	= Secant C	a	b x Secant C	$\frac{b}{\text{Cosine C}}$
C	$\frac{a}{c}$	= Cosec. C	b	$\sqrt{a^2 - c^2}$	---
B	$\frac{c}{a}$	= Sine B	b	a x Sine B	$\frac{a}{\text{Cosecant B}}$
B	$\frac{c}{a}$	= Cosine B	b	a x Cos. C	$\frac{a}{\text{Secant C}}$
B	$\frac{b}{c}$	= Tan. B	b	c x Tan. B	$\frac{c}{\text{Cotangent B}}$
B	$\frac{c}{d}$	= Cotan. B	b	c x Cot. C	$\frac{c}{\text{Tangent C}}$
B	$\frac{a}{c}$	= Secant B	c	$\sqrt{a^2 - b^2}$	---
B	$\frac{a}{b}$	= Cosec. B	c	a x Cos. B	$\frac{a}{\text{Secant B}}$
			c	a x Sine C	$\frac{a}{\text{Cosecant C}}$
			c	b x Cot. B	$\frac{b}{\text{Tangent B}}$
			c	b x Tan. C	$\frac{b}{\text{Cotangent C}}$

Table 38: To Find Angles and Sides of Oblique Angle Triangle

Oblique Angle Triangle



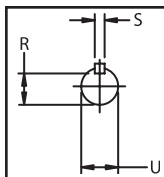
To Find Angles and Sides of Oblique Angle Triangle					
To find:	Known	Formulas	To Find:	Known	Formulas
C	A, B	$180^\circ - (A + B)$	A	B, C	$180^\circ - (B + C)$
b	a, B, A	$\frac{a \times \text{Sin. B}}{\text{Sin. A}}$	Cos. A	a, b, c	$\frac{b^2 + c^2 - a^2}{2bc}$
c	a, A, C	$\frac{a \times \text{Sin. C}}{\text{Sin. A}}$	Sin. C	c, A, a	$\frac{c \times \text{Sin. A}}{a}$
Tan. A	a, C, b	$\frac{a \times \text{Sin. C}}{b - (a \times \text{Cos. C})}$	Cot. B	a, C, b	$\frac{a \times \text{Cosec. C}}{b}$
B	A, C	$180^\circ - (A + C)$	c	b, C, B	b x Sin. C x Cosec. B
Sin. B	b, A, a	$\frac{b \times \text{Sin. A}}{a}$	---	---	-----

## NEMA

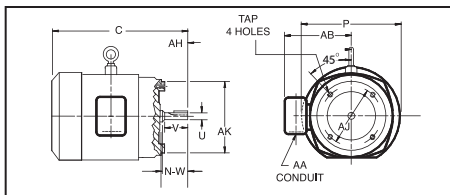
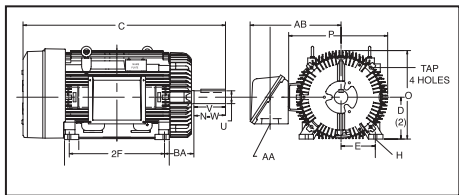
### QUICK REFERENCE CHART

- Dimensions are for reference only
- Drawings represent standard TEFC general purpose motors

Contact your local DODGE/Reliance Sales Office at 1-864-284-5700 for "C" dimensions.



FRAME		NEMA SHAFT	KEYSEAT DIMENSIONS			FRAME		NEMA SHAFT	KEYSEAT DIMENSIONS		
		U	R	S				R	S		
48	48	1/2	29/64	FLAT	284T	286T	1-7/8	1-19/32	1/2		
56	56	5/8	33/64	3/16	324T	326T	2-1/8	1-27/32	1/2		
143T	145T	7/8	49/64	3/16	364T	365T	2-3/8	2-1/64	5/8		
182T	184T	1-1/8	63/64	1/4	404T	405T	2-7/8	2-29/64	3/4		
213T	215T	1-3/8	1-13/64	5/16	444T	445T	3-3/8	2-7/8	7/8		
254T	256T	1-5/8	1-13/32	3/8	447T	449T	3-3/8	2-7/8	7/8		

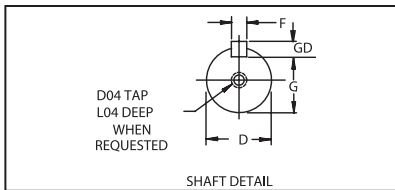
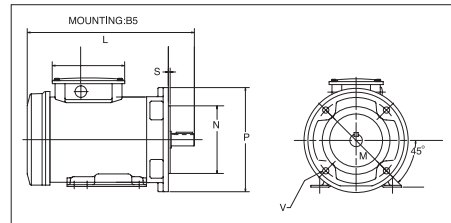
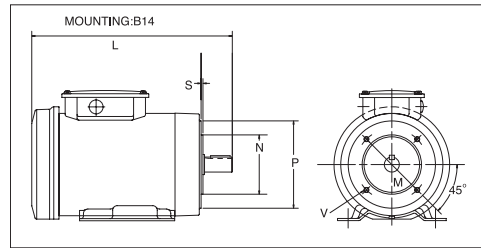
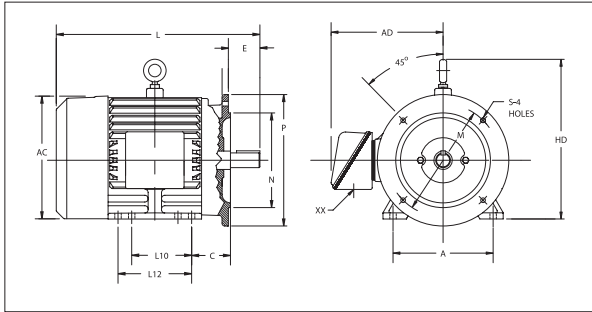


NEMA C-FACE	BA Dimensions
143TC - 145TC	2-3/4
182TC - 184 TC	3-1/2
213TC - 215TC	4-1/4
254TC - 256TC	4-3/4

NEMA Frame	D	E	2F	H	N-W	O	P	U	Keyway	V	AA	AB	AH	AJ	AK	BA	Tap Size
48	3	2-1/8	2-3/4	11/32 SLOT	1-1/2	5-13/16	5-5/8	1/2		1-1/2	1/2	-	1-11/16	3-3/4	3	2-1/2	1/4-20
56	3-1/2	2-7/16	3	11/32	1-7/8	8-9/16	7-9/32	5/8	3/16x3/32	1-7/8	1/2	-	2-1/16	5-7/8	4-1/4	2-3/4	3/8-16
56H	3-1/2	2-7/16	5	SLOT	1-7/8	8-9/16	7-9/32	5/8	3/16x3/32	1-7/8	1/2	-	2-1/16	5-7/8	4-1/2	2-3/4	3/8-16
143T	3-1/2	2-7/16	4	11/32	2-1/4	8-9/16	7-9/32	7/8	3/16x3/32	2-1/4	3/4	-	2-1/8	5-7/8	4-1/2	2-1/4	3/8-16
145T	3-1/2	2-3/4	5	11/32	2-1/4	8-9/16	7-9/32	7/8	3/16x3/32	2-1/4	3/4	-	2-1/8	5-7/8	4-1/2	2-1/4	3/8-16
182	4-1/2	3-3/4	4-1/2	13/32	2-1/4	9-7/8	9-1/4	7/8	3/16x3/32	2-1/4	3/4	8-7/16	2-1/8	5-7/8	4-1/2	2-3/4	3/8-16
184	4-1/2	3-3/4	5-1/2	13/32	2-1/4	9-7/8	9-1/4	7/8	3/16x3/32	2-1/4	3/4	8-7/16	2-1/8	5-7/8	4-1/2	2-3/4	3/8-16
182T	4-1/2	3-3/4	4-1/2	13/32	2-3/4	9-7/8	9-1/4	1-1/8	1/4x1/8	2-3/4	3/4	7-13/16	2-5/8	7-1/4	8-1/2	2-3/4	1/2-13
184T	4-1/2	3-3/4	5-1/2	13/32	2-3/4	9-7/8	9-1/4	1-1/8	1/4x1/8	2-3/4	3/4	7-13/16	2-5/8	7-1/4	8-1/2	2-3/4	1/2-13
213	5-1/4	4-1/4	5-1/2	13/32	3	11-1/4	10-1/2	1-1/8	1/4x1/8	3	1	9-5/16	2-3/4	7-1/4	8-1/2	3-1/2	1/2-13
215	5-1/4	4-1/4	7	13/32	3	11-1/4	10-1/2	1-1/8	1/4x1/8	3	1	9-5/16	2-3/4	7-1/4	8-1/2	3-1/2	1/2-13
213T	5-1/4	4-1/4	5-1/2	13/32	3-3/8	11-1/4	10-1/2	1-3/8	5/16x5/32	3-3/8	1	8-11/16	3-1/8	7-1/4	8-1/2	3-1/2	1/2-13
215T	5-1/4	4-1/4	7	13/32	3-3/8	11-1/4	10-1/2	1-3/8	5/16x5/32	3-3/8	1	8-11/16	3-1/8	7-1/4	8-1/2	3-1/2	1/2-13
254U	6-1/4	5	8-1/4	17/32	3-3/4	13-1/4	13-1/4	1-3/8	5/16x5/32	3-3/4	1-1/4	10-13/16	3-1/2	7-1/4	8-1/2	4-1/4	1/2-13
256U	6-1/4	5	10	17/32	3-3/4	13-1/4	13-1/4	1-3/8	5/16x5/32	3-3/4	1-1/4	10-13/16	3-1/2	7-1/4	8-1/2	4-1/4	1/2-13
254T	6-1/4	5	8-1/4	17/32	4	13-1/4	13-1/4	1-5/8	3/8x3/16	4	1-1/4	10-3/4	3-3/4	7-1/4	8-1/2	4-1/4	1/2-13
256T	6-1/4	5	10	17/32	4	13-1/4	13-1/4	1-5/8	3/8x3/16	4	1-1/4	10-3/4	3-3/4	7-1/4	8-1/2	4-1/4	1/2-13
284U	7	5-1/2	9-1/2	17/32	4-7/8	14-3/4	14-7/8	1-5/8	3/8x3/16	4-7/8	1-1/2	12-5/8	4-5/8	9	10-1/2	4-3/4	1/2-13
286U	7	5-1/2	11	17/32	4-7/8	14-3/4	14-7/8	1-5/8	3/8x3/16	4-7/8	1-1/2	12-5/8	4-5/8	9	10-1/2	4-3/4	1/2-13
284T	7	5-1/2	9-1/2	17/32	4-5/8	14-3/4	14-7/8	1-7/8	1/2x1/4	4-5/8	1-1/2	12-3/4	4-3/8	9	10-1/2	4-3/4	1/2-13
286T	7	5-1/2	11	17/32	4-5/8	14-3/4	14-7/8	1-7/8	1/2x1/4	4-5/8	1-1/2	12-3/4	4-3/8	9	10-1/2	4-3/4	1/2-13
284TS	7	5-1/2	9-1/2	17/32	3-1/4	14-3/4	14-7/8	1-5/8	3/8x3/16	3-1/4	1-1/2	12-3/4	3	9	10-1/2	4-3/4	1/2-13
286TS	7	5-1/2	11	17/32	3-1/4	14-3/4	14-7/8	1-5/8	3/8x3/16	3-1/4	1-1/2	12-3/4	3	9	10-1/2	4-3/4	1/2-13
324U	8	6-1/4	10-1/2	21/32	5-5/8	16-11/16	17	1-7/8	1/2x1/4	5-5/8	2	15-7/16	5-3/8	11	12-1/2	5-1/4	5/8-11
326U	8	6-1/4	12	21/32	5-5/8	16-11/16	17	1-7/8	1/2x1/4	5-5/8	2	15-7/16	5-3/8	11	12-1/2	5-1/4	5/8-11
324T	8	6-1/4	10-1/2	21/32	5-1/4	16-11/16	17	2-1/8	1/2x1/4	5-1/4	2	15-3/16	5	11	12-1/2	5-1/4	5/8-11
326T	8	6-1/4	12	21/32	5-1/4	16-11/16	17	2-1/8	1/2x1/4	5-1/4	2	15-3/16	5	11	12-1/2	5-1/4	5/8-11
324TS	8	6-1/4	10-1/2	21/32	3-3/4	16-11/16	17	1-7/8	1/2x1/4	3-3/4	2	15-3/16	3-1/2	11	12-1/2	5-1/4	5/8-11
326TS	8	6-1/4	12	21/32	3-3/4	16-11/16	17	1-7/8	1/2x1/4	3-3/4	2	15-3/16	3-1/2	11	12-1/2	5-1/4	5/8-11
364U	9	7	11-1/4	21/32	6-3/8	18-1/2	19-1/2	2-1/8	1/2x1/4	6-3/8	2-1/2	18	6-1/8	11	12-1/2	5-7/8	5/8-11
365U	9	7	12-1/4	21/32	6-3/8	18-1/2	19-1/2	2-1/8	1/2x1/4	6-3/8	2-1/2	18	6-1/8	11	12-1/2	5-7/8	5/8-11
364T	9	7	11-1/4	21/32	5-7/8	18-1/2	19-1/2	2-3/8	5/8x5/16	5-7/8	2-1/2	18-1/16	5-5/8	11	12-1/2	5-7/8	5/8-11
365T	9	7	12-1/4	21/32	5-7/8	18-1/2	19-1/2	2-3/8	5/8x5/16	5-7/8	2-1/2	18-1/16	5-5/8	11	12-1/2	5-7/8	5/8-11
364TS	9	7	11-1/4	21/32	3-3/4	18-1/2	19-1/2	1-7/8	1/2x1/4	3-3/4	2-1/2	18-1/16	3-1/2	11	12-1/2	5-7/8	5/8-11
365TS	9	7	12-1/4	21/32	3-3/4	18-1/2	19-1/2	1-7/8	1/2x1/4	3-3/4	2-1/2	18-1/16	3-1/2	11	12-1/2	5-7/8	5/8-11
404U	10	8	12-1/4	13/16	7-1/8	21-5/16	22-1/2	2-3/8	5/8x5/16	7-1/8	3	19-1/4	6-7/8	11	12-1/2	6-5/8	5/8-11
405U	10	8	13-3/4	13/16	7-1/8	21-5/16	22-1/2	2-3/8	5/8x5/16	7-1/8	3	19-1/4	6-7/8	11	12-1/2	6-5/8	5/8-11
404T	10	8	12-1/4	13/16	7-1/4	21-5/16	22-1/2	2-7/8	3/4x3/8	7-1/4	3	19-5/16	7	11	12-1/2	6-5/8	5/8-11
405T	10	8	13-3/4	13/16	7-1/4	21-5/16	22-1/2	2-7/8	3/4x3/8	7-1/4	3	19-5/16	7	11	12-1/2	6-5/8	5/8-11
404TS	10	8	12-1/4	13/16	4-1/4	21-5/16	22-1/2	2-1/8	1/2x1/4	4-1/4	3	19-5/16	4	11	12-1/2	6-5/8	5/8-11
405TS	10	8	13-3/4	13/16	4-1/4	21-5/16	22-1/2	2-1/8	1/2x1/4	4-1/4	3	19-5/16	4	11	12-1/2	6-5/8	5/8-11
444U	11	9	14-1/2	13/16	8-5/8	23-3/8	25-1/4	2-7/8	3/4x3/8	8-5/8	3	22-3/16	8-3/8	14	16	7-1/2	5/8-11
445U	11	9	16-1/2	13/16	8-5/8	23-3/8	25-1/4	2-7/8	3/4x3/8	8-5/8	3	22-3/16	8-3/8	14	16	7-1/2	5/8-11
444T	11	9	14-1/2	13/16	8-1/2	23-3/8	25-1/4	3-3/8	7/8x7/16	8-1/2	3	23-3/8	8-1/4	14	16	7-1/2	5/8-11
445T	11	9	16-1/2	13/16	8-1/2	23-3/8	25-1/4	3-3/8	7/8x7/16	8-1/2	3	23-3/8	8-1/4	14	16	7-1/2	5/8-11
447T	11	9	20	13/16	8-1/2	23-3/8	26	3-3/8	7/8x7/16	8-1/2	3	23-7/8	8-1/4	14	16	7-1/2	5/8-11
449T	11	9	25	13/16	8-1/2	23-3/8	26	3-3/8	7/8x7/16	8-1/2	3	23-7/8	8-1/4	14	16	7-1/2	5/8-11
444TS	11	9	14-1/2	13/16	4-3/4	23-3/8	25-1/4	2-3/8	5/8x5/16	4-3/4	3	23-3/8	4-1/2	14	16	7-1/2	5/8-11
445TS	11	9	16-1/2	13/16	4-3/4	23-3/8	25-1/4	2-3/8	5/8x5/16	4-3/4	3	23-3/8	4-1/2	14	16	7-1/2	5/8-11
447TS	11	9	20	13/16	4-3/4	23-3/8	26	2-3/8	5/8x5/16	4-3/4	4 NPT	23-7/8	4-1/2	14	16	7-1/2	5/8-11
449TS	11	9	25	13/16	4-3/4	23-3/8	26	2-3/8	5/8x5/16	4-3/4	4 NPT	23-7/8	4-1/2	14	16	7-1/2	5/8-11

## IEC QUICK REFERENCE CHART

- Dimensions are for reference only
  - Drawings represent standard TEFC general purpose motors
- Contact your local DODGE/Reliance Sales Office at 1-864-284-5700 for "C" dimensions.



KEY AND KEYSEAT DIMENSIONS									
FRAME	D	G	F	GD	FRAME	D	G	F	GD
71	14	11	5	5	160	37	42	12	8
80	19	15.5	6	6	180	48	42.5	14	9
90	24	20	8	7	200	55	49	16	10
100	28	24	8	7	225	60	53	18	11
112	28	24	8	7	250	70	67.5	20	12
132	38	33	10	8	280	80	71	22	14

Frame	B3 RIGID BASE				SHAFT			B5 FLANGE					B14 FACE			GENERAL				
	A	L10	L12	HD	C	E	D	N	M	P	S	V	N	M	P	S	V	AC	AD	XX
71	-	-	-	-	-	-	-	110	130	160	"3,5"	"9,5"	70	85	105	2.5	M6	143	-	13
80	125	100	-	188	50	40	19	130	165	200	"3,5"	"11,5"	80	100	120	3	M6	143	-	13
90	140	100	125	208	56	50	24	130	165	200	"3,5"	"11,5"	95	115	140	3	M8	163	-	13
100	160	112	140	229	63	60	28	180	215	250	4	14	110	130	160	3.5	M8	175	-	19
112S	190	114	-	301.8	71.4	60	28	180	215	250	4	14	110	130	160	3.5	M8	243	210	32
112M	190	-	140	301.8	71.4	60	28	180	215	250	4	14	110	130	160	3.5	M8	243	210	32
132S	216	140	-	336.6	88.9	80	38	230	265	300	4	14	130	165	200	3.5	M8	286	243	32
132M	216	-	178	336.6	88.9	80	38	230	265	300	4	14	130	165	200	3.5	M8	286	243	32
160M	254	210	-	399	108	110	42	250	300	350	5	18	180	215	250	4	M12	324	320	40
160L	254	-	254	399	108	110	42	250	300	350	5	18	180	215	250	4	M12	324	320	40
180M	279	241	-	436	121	110	48	250	300	350	5	18	398	355	40			398	355	40
180L	279	-	279	436	121	110	48	250	300	350	5	18	398	355	40			398	355	40
200M	318	267	-	486	133	110	55	300	350	400	5	18	442	445	50			442	445	50
200L	318	-	305	486	133	110	55	300	350	400	5	18	442	445	50			442	445	50
225S	356	286	-	545	149	140	60	350	400	450	5	18	490	470	50			490	470	50
225M	356	-	311	545	149	140	60	350	400	450	5	18	490	470	50			490	470	50
250S	406	311	-	616	168	140	65											600	510	63
250M	406	-	349	616	168	140	65											600	535	63
280S	457	368	-	677	190	140	75											650	535	63
280M	457	-	419	677	190	140	75											650	535	63
280K	457	500	-	677	190	140	75											650	535	63
280H	457	630	-	677	190	140	75											650	535	63
L280H	457	635	-	677	202	205	75											650	535	63

Take-Up Frames

Engineering

Index

# PART NUMBER INDEX



Part No.	Page	Part No.	Page	Part No.	Page	Part No.	Page	Part No.	Page	Part No.	Page
004060	B13-42	006043	B13-40	010097	B13-56	019200	B15-21, B15-22	019270	B15-21, B15-22	023051	B6-23
004063	B13-42	006046	B13-40	010100	B13-56					023052	B6-23
004066	B13-42	006049	B13-40	010104	B13-56	019201	B15-21, B15-22			023053	B6-23
004069	B13-42	006052	B13-40	010105	B13-56			019271	B15-21, B15-22	023054	B6-23
004072	B13-42	006055	B13-40	010107	B13-56	019202	B15-21, B15-22			023055	B6-23
004075	B13-42	006058	B13-40	010110	B13-56			019272	B15-21, B15-22	023056	B6-23
004078	B13-42	006061	B13-40	010112	B13-56	019203	B15-21, B15-22			023057	B6-23
004081	B13-42	006064	B13-40	010114	B13-56			019273	B15-21, B15-22	023058	B6-23
004084	B13-42	006067	B13-40	010117	B13-56	019204	B15-21, B15-22			023059	B6-23
004087	B13-42	006070	B13-40	010120	B13-56			019274	B15-21, B15-22	023060	B6-23
004090	B13-42	006073	B13-40	010123	B13-56	019210	B15-21, B15-22			023061	B6-23
004093	B13-42	006076	B13-40	010126	B13-56			019280	B15-21, B15-22	023062	B6-23
004096	B13-42	006079	B13-40	010127	B13-56	019211	B15-21, B15-22			023063	B6-23
004099	B13-42	006082	B13-40	010128	B13-56			019281	B15-21, B15-22	023064	B6-23
004102	B13-42	006102	B13-38	010129	B13-56	019212	B15-21, B15-22			023065	B6-23
004105	B13-42	006104	B13-38	010130	B13-56			019282	B15-21, B15-22	023066	B6-23
004108	B13-42	006107	B13-38	010131	B13-56	019213	B15-21, B15-22			023067	B6-23
004113	B13-42	006109	B13-38	012215	B13-48			019283	B15-21, B15-22	023068	B6-23
004114	B13-42	006110	B13-38	012216	B13-48	019214	B15-21, B15-22			023069	B6-23
004115	B13-42	006111	B13-38	012217	B13-48			019284	B15-21, B15-22	023070	B6-25
004116	B13-42	006113	B13-38	013497	B15-18, B15-19	019220	B15-21, B15-22			023071	B6-25
005050	B13-12	006114	B13-38					021218	B13-48	023072	B6-25
005051	B13-12	006115	B13-38	013498	B15-18, B15-19	019221	B15-21, B15-22			021219	B13-48
005052	B13-12	006117	B13-38					021220	B13-48	023073	B6-25
005053	B13-12	006118	B13-38	013499	B15-18, B15-19	019222	B15-21, B15-22			023074	B6-25
005055	B13-12	006119	B13-38					023000	B6-23	023075	B6-25
005056	B13-12	006120	B13-38	013511	B15-18, B15-19	019223	B15-21, B15-22			023001	B6-23
005057	B13-12	006124	B13-38					023002	B6-23	023076	B6-31
005058	B13-12	006125	B13-38	013512	B15-18, B15-19	019224	B15-21, B15-22			023003	B6-23
005059	B13-12	006128	B13-38					023004	B6-23	023077	B6-31
005060	B13-12	006129	B13-38	013513	B15-18, B15-19	019230	B15-21, B15-22			023078	B6-31
005061	B13-12	006132	B13-38					023005	B6-23	023079	B6-31
005062	B13-12	006136	B13-38	013514	B15-18, B15-19	019231	B15-21, B15-22			023080	B6-31
005063	B13-12	006140	B13-38					023006	B6-23	023081	B6-31
005064	B13-12	006144	B13-38	013515	B15-18, B15-19	019232	B15-21, B15-22			023007	B6-23
005065	B13-12	006148	B13-38					023008	B6-23	023082	B6-31
005066	B13-12	006152	B13-38	013519	B15-18, B15-19	019233	B15-21, B15-22			023009	B6-23
005067	B13-12	010020	B13-56					023010	B6-23	023083	B6-31
005068	B13-12	010021	B13-56	013520	B15-18, B15-19	019234	B15-21, B15-22			023011	B6-23
005070	B13-50	010024	B13-56					023012	B6-23	023084	B6-31
005073	B13-50	010028	B13-56	013900	B15-18, B15-19	019240	B15-21, B15-22			023013	B6-23
005076	B13-50	010029	B13-56					023014	B6-23	023085	B6-31
005079	B13-50	010032	B13-56	013901	B15-18, B15-19	019241	B15-21, B15-22			023015	B6-23
005082	B13-50	010036	B13-56					023016	B6-23	023086	B6-31
005085	B13-51	010039	B13-56	013902	B15-18, B15-19	019242	B15-21, B15-22			023017	B6-23
005088	B13-51	010043	B13-56					023018	B6-23	023087	B6-31
005091	B13-51	010048	B13-56	013903	B15-18, B15-19	019243	B15-21, B15-22			023019	B6-23
005094	B13-51	010051	B13-56					023020	B6-23	023094	B6-27
005097	B13-51	010054	B13-56	013904	B15-18, B15-19	019244	B15-21, B15-22			023021	B6-23
005100	B13-51	010055	B13-56					023022	B6-23	023095	B6-27
005117	B13-12	010056	B13-56	013905	B15-18, B15-19	019250	B15-21, B15-22			023023	B6-25
005195	B13-51	010057	B13-56					023024	B6-25	023096	B6-27
005198	B13-51	010058	B13-56	013906	B15-18, B15-19	019251	B15-21, B15-22			023025	B6-25
005199	B13-51	010059	B13-56					023026	B6-25	023097	B6-27
005201	B13-51	010060	B13-56	013907	B15-18, B15-19	019252	B15-21, B15-22			023027	B6-25
006001	B13-40	010061	B13-56					023028	B6-25	023103	B6-27
006004	B13-40	010075	B13-56	013908	B15-18, B15-19	019253	B15-21, B15-22			023029	B6-25
006007	B13-40	010076	B13-56					023030	B6-25	023104	B6-27
006010	B13-40	010077	B13-56	013909	B15-18, B15-19	019254	B15-21, B15-22			023031	B6-25
006013	B13-40	010078	B13-56					023032	B6-25	023099	B6-27
006016	B13-40	010080	B13-56	013910	B15-18, B15-19	019260	B15-21, B15-22			023033	B6-25
006019	B13-40	010081	B13-56					023040	B6-25	023106	B6-27
006022	B13-40	010084	B13-56	013916	B15-18, B15-19	019261	B15-21, B15-22			023041	B6-25
006025	B13-40	010085	B13-56					023042	B6-25	023107	B6-27
006028	B13-40	010088	B13-56	013917	B15-18, B15-19	019262	B15-21, B15-22			023043	B6-25
006031	B13-40	010089	B13-56					023044	B6-25	023108	B6-27
006034	B13-40	010092	B13-56	013918	B15-18, B15-19	019263	B15-21, B15-22			023045	B6-25
006037	B13-40	010093	B13-56					023046	B6-25	023109	B6-27
006040	B13-40	010096	B13-56	018939	B12-16	019264	B15-21,			023047	B6-23
								023048	B6-23	023110	B6-27
								023049	B6-23	023111	B6-27
								023050	B6-23	023112	B6-27
										023113	B6-27
										023114	B6-27
										023115	B6-27
										023116	B6-27
										023117	B6-27
										023118	B6-27
										023119	B6-27



# PART NUMBER INDEX



Part No.	Page	Part No.	Page	Part No.	Page	Part No.	Page	Part No.	Page	Part No.	Page
023711	B6-73	033091	B13-20	033490	B13-18	033698	B13-37	033884	B13-26	033982	B13-14
023712	B6-73	033092	B13-20	033500	B13-18	033699	B13-37	033885	B13-26	033983	B13-14
023713	B6-73	033093	B13-20	033505	B13-18	033739	B13-28	033886	B13-26	033984	B13-14
023714	B6-73	033094	B13-20	033510	B13-18	033740	B13-28	033887	B13-26	033986	B13-14
023715	B6-73	033095	B13-20	033515	B13-18	033741	B13-28	033888	B13-26	033987	B13-14
023795	B6-59	033096	B13-20	033525	B13-18	033742	B13-28	033890	B13-35	033988	B13-14
023796	B6-59	033097	B13-20	033530	B13-18	033743	B13-28	033891	B13-35	033990	B13-14
023797	B6-59	033098	B13-20	033535	B13-18	033744	B13-28	033892	B13-35	033991	B13-14
023798	B6-59	033185	B13-20	033540	B13-18	033745	B13-28	033893	B13-35	033992	B13-14
023799	B6-59	033186	B13-20	033585	B13-30	033750	B13-28	033894	B13-35	033993	B13-14
023800	B6-59	033187	B13-20	033586	B13-30	033751	B13-28	033895	B13-35	033994	B13-14
023801	B6-59	033188	B13-20	033587	B13-30	033752	B13-28	033896	B13-35	033996	B13-14
032867	B1-86	033189	B13-20	033588	B13-30	033753	B13-28	033897	B13-35	033997	B13-14
032868	B1-86	033190	B13-20	033589	B13-30	033754	B13-28	033899	B13-19	033998	B13-14
032871	B1-86	033191	B13-20	033590	B13-30	033755	B13-28	033900	B13-35	034020	B15-38
032872	B1-86	033192	B13-20	033591	B13-30	033756	B13-28	033901	B13-35	034021	B15-38
032874	B1-86	033193	B13-20	033592	B13-30	033810	B13-24	033902	B13-35	034022	B15-38
032875	B1-86	033194	B13-20	033593	B13-30	033811	B13-24	033903	B13-35	034023	B15-38
032876	B1-86	033195	B13-20	033594	B13-30	033812	B13-24	033904	B13-35	034024	B15-38
032877	B1-86	033196	B13-20	033595	B13-30	033813	B13-24	033905	B13-35	034025	B15-38
032878	B1-86	033197	B13-20	033596	B13-30	033814	B13-24	033906	B13-35	034030	B13-13, B15-38
032879	B1-86	033198	B13-20	033597	B13-30	033815	B13-24	033907	B13-35	034031	B13-13, B15-38
032881	B1-86	033200	B13-22	033598	B13-30	033816	B13-24	033910	B13-26	034032	B13-13, B15-38
032882	B1-86	033201	B13-22	033599	B13-30	033817	B13-24	033911	B13-26	034033	B13-13, B15-38
032886	B1-86	033202	B13-22	033600	B13-30	033818	B13-24	033912	B13-26	034034	B13-13, B15-38
032887	B1-86	033203	B13-22	033601	B13-30	033819	B13-24	033913	B13-26	034035	B13-13, B15-38
032923	B13-19	033204	B13-22	033602	B13-30	033820	B13-24	033914	B13-26	034117	B13-30
032937	B13-19	033205	B13-22	033610	B13-30	033821	B13-24	033915	B13-26	034218	B13-20
032940	B13-16	033206	B13-22	033611	B13-30	033822	B13-24	033916	B13-26	034221	B13-14
032941	B13-16	033207	B13-22	033612	B13-30	033823	B13-24	033917	B13-26	034225	B13-14
032942	B13-16	033208	B13-22	033613	B13-30	033824	B13-24	033918	B13-26	034226	B13-14
032943	B13-16	033209	B13-22	033614	B13-30	033825	B13-24	033919	B13-26	034227	B13-14
032945	B13-16	033210	B13-22	033615	B13-30	033826	B13-24	033920	B13-26	034228	B13-14
032946	B13-16	033211	B13-22	033616	B13-30	033840	B13-24	033921	B13-26	034229	B13-14
032947	B13-16	033212	B13-22	033617	B13-30	033841	B13-24	033922	B13-26	034230	B13-14
032949	B13-16	033213	B13-22	033618	B13-30	033842	B13-24	033923	B13-26	034231	B13-14
032950	B13-16	033214	B13-22	033619	B13-30	033843	B13-24	033924	B13-26	034232	B13-14
032951	B13-16	033215	B13-22	033620	B13-30	033844	B13-24	033925	B13-26	034233	B13-14
032953	B13-16	033216	B13-22	033621	B13-30	033845	B13-24	033926	B13-26	034234	B13-14
032954	B13-16	033217	B13-22	033622	B13-30	033846	B13-24	033927	B13-26	034235	B13-14
032955	B13-16	033218	B13-22	033623	B13-30	033847	B13-24	033928	B13-26	034236	B13-14
032956	B13-16	033247	B13-18	033624	B13-30	033848	B13-24	033929	B13-19	034237	B13-14
032957	B13-16	033251	B13-18	033625	B13-30	033849	B13-24	033930	B13-19	034238	B13-14
032959	B13-16	033260	B13-22	033626	B13-30	033850	B13-24	033931	B13-19	034239	B13-14
032960	B13-16	033261	B13-22	033627	B13-30	033851	B13-24	033932	B13-19	034240	B13-14
032970	B13-16	033262	B13-22	033627	B13-14	033852	B13-24	033933	B13-19	034241	B13-14
032971	B13-16	033263	B13-22	033668	B13-14	033853	B13-24	033934	B13-19	034242	B13-14
032972	B13-16	033264	B13-22	033669	B13-14	033854	B13-24	033937	B13-34	034243	B13-14
032973	B13-16	033265	B13-22	033670	B13-14	033855	B13-24	033938	B13-34	034244	B13-16
032975	B13-16	033266	B13-22	033672	B13-14	033856	B13-24	033939	B13-34	034245	B13-16
032976	B13-16	033267	B13-22	033673	B13-14	033862	B13-19	033940	B13-34	034246	B13-16
032977	B13-16	033268	B13-22	033674	B13-14	033863	B13-19	033952	B13-34	034247	B13-16
032979	B13-16	033269	B13-22	033676	B13-14	033867	B13-19	033953	B13-34	034248	B13-16
032980	B13-16	033270	B13-22	033677	B13-14	033868	B13-19	033954	B13-34	034249	B13-16
032981	B13-16	033271	B13-22	033678	B13-14	033869	B13-19	033955	B13-34	034250	B13-16
032983	B13-16	033272	B13-22	033680	B13-14	033870	B13-26	033956	B13-33	034251	B13-16
032984	B13-16	033273	B13-22	033681	B13-14	033871	B13-26	033961	B13-33	034252	B13-16
032985	B13-16	033274	B13-22	033682	B13-14	033872	B13-26	033962	B13-33	034253	B13-16
032986	B13-16	033275	B13-22	033683	B13-14	033873	B13-26	033963	B13-33	034254	B13-16
032987	B13-16	033276	B13-22	033684	B13-14	033874	B13-26	033964	B13-33	034255	B13-16
032989	B13-16	033277	B13-22	033686	B13-14	033875	B13-26	033965	B13-33	034256	B13-16
032990	B13-16	033278	B13-22	033687	B13-14	033876	B13-26	033966	B13-33	034257	B13-16
033077	B13-14	033321	B13-19	033688	B13-14	033877	B13-26	033967	B13-33	034258	B13-16
033085	B13-20	033323	B13-19	033692	B13-36	033878	B13-26	033968	B13-33		
033086	B13-20	033347	B13-18	033693	B13-36	033879	B13-26	033974	B13-14		
033087	B13-20	033351	B13-18	033694	B13-36	033880	B13-26	033977	B13-14		
033088	B13-20	033475	B13-18	033695	B13-36	033881	B13-26	033978	B13-14		
033089	B13-20	033480	B13-18	033696	B13-37	033882	B13-26	033979	B13-14		
033090	B13-20	033485	B13-18	033697	B13-37	033883	B13-26	033980	B13-14		

# PART NUMBER INDEX



Part No.	Page	Part No.	Page	Part No.	Page	Part No.	Page	Part No.	Page	Part No.	Page
034259.....	B13-16	034332.....	B13-26	034731.....	B1-50	035748.....	B11-117,	036196.....	B15-39	037450.....	B11-88,
034260.....	B13-20	034438.....	B13-32	034732.....	B1-50		B11-123	036197.....	B15-39		B11-899
034261.....	B13-20	034439.....	B13-32	034735.....	B1-50	035749.....	B11-117,	036198.....	B15-39	037451.....	B11-89
034262.....	B13-20	034440.....	B13-32	034736.....	B1-58		B11-123	036199.....	B15-39	037452.....	B11-89
034263.....	B13-20	034441.....	B13-32	034737.....	B1-58	035750.....	B11-117,	036200.....	B15-39	037461.....	B11-88
034264.....	B13-20	034442.....	B13-32	034738.....	B1-58		B11-123	036270.....	B15-39	037462.....	B11-88
034265.....	B13-20	034443.....	B13-32	034739.....	B1-58	035751.....	B11-117,	036274.....	B15-39	037464.....	B11-88
034266.....	B13-20	034444.....	B13-32	034740.....	B1-58		B11-123	036350.....	B15-15	037465.....	B11-88
034267.....	B13-20	034445.....	B13-32	034741.....	B1-58	035752.....	B11-117,	036351.....	B15-15	037540.....	B6-53
034268.....	B13-20	034446.....	B13-32	034748.....	B1-28		B11-123	036352.....	B15-15	037541.....	B6-53
034269.....	B13-20	034447.....	B13-32	034749.....	B1-28	035762.....	B11-54	036353.....	B15-15	037542.....	B6-53
034270.....	B13-20	034448.....	B13-32	034750.....	B1-28	035763.....	B11-117,	036354.....	B15-15	037543.....	B6-53
034271.....	B13-20	034449.....	B13-32	034751.....	B1-28		B11-123	036355.....	B15-15	037544.....	B6-53
034272.....	B13-20	034450.....	B13-32	034752.....	B1-28	035764.....	B11-117,	036356.....	B15-15	037545.....	B6-53
034273.....	B13-22	034451.....	B13-32	034754.....	B1-28		B11-123	036357.....	B15-15	037546.....	B6-53
034274.....	B13-22	034452.....	B13-32	034755.....	B1-36	035765.....	B11-54	036358.....	B15-15	037547.....	B6-53
034275.....	B13-22	034453.....	B13-32	034756.....	B1-36	035766.....	B11-54	036359.....	B15-15	037548.....	B6-53
034276.....	B13-22	034454.....	B13-30	034757.....	B1-36	035767.....	B11-54	036360.....	B15-15	037549.....	B6-55
034277.....	B13-22	034455.....	B13-30	034758.....	B1-36	035768.....	B11-54	036361.....	B15-15	037550.....	B6-55, B6-61
034278.....	B13-22	034456.....	B13-30	034759.....	B1-72	035769.....	B11-54	036362.....	B15-15	037551.....	B6-55, B6-61
034279.....	B13-22	034457.....	B13-30	034760.....	B1-72	035770.....	B11-54	036363.....	B15-15	037552.....	B6-55, B6-61
034280.....	B13-22	034458.....	B13-30	034761.....	B1-72	035771.....	B11-55	036364.....	B15-15	037553.....	B6-55, B6-61
034281.....	B13-22	034459.....	B13-30	034762.....	B1-72	035772.....	B11-55	036365.....	B15-15	037554.....	B6-55, B6-61
034282.....	B13-22	034460.....	B13-30	034763.....	B1-72	035773.....	B11-55	036366.....	B15-15	037555.....	B6-53
034283.....	B13-22	034461.....	B13-30	034765.....	B1-72	035774.....	B11-55	036367.....	B15-15	037556.....	B6-53
034284.....	B13-22	034462.....	B13-30	034766.....	B1-50	035775.....	B11-54	037001.....	B13-46	037557.....	B6-53
034285.....	B13-22	034463.....	B13-30	034767.....	B1-50	035776.....	B11-54	037002.....	B13-46	037558.....	B6-53
034286.....	B13-22	034464.....	B13-30	034768.....	B1-50	035777.....	B11-54	037003.....	B13-46	037559.....	B6-53
034287.....	B13-22	034465.....	B13-30	034769.....	B1-50	035778.....	B11-54	037004.....	B13-46	037560.....	B6-53
034288.....	B13-22	034466.....	B13-30	034770.....	B1-50	035779.....	B11-54	037005.....	B13-46	037561.....	B6-53
034289.....	B13-22	034467.....	B13-30	034772.....	B1-50	035780.....	B11-54	037006.....	B13-46	037562.....	B6-53
034290.....	B13-22	034468.....	B13-30	034773.....	B1-58	035781.....	B11-55	037007.....	B13-46	037563.....	B6-55
034291.....	B13-22	034469.....	B13-30	034774.....	B1-58	035782.....	B11-55	037009.....	B13-46	037564.....	B6-55
034292.....	B13-22	034470.....	B13-30	034775.....	B1-58	035783.....	B11-55	037010.....	B13-46	037565.....	B6-55
034293.....	B13-24	034471.....	B13-30	034776.....	B1-58	035784.....	B11-55	037011.....	B13-46	037566.....	B6-55
034294.....	B13-24	034472.....	B13-30	035025.....	B13-54	035785.....	B11-55	037012.....	B13-46	037567.....	B6-55
034295.....	B13-24	034473.....	B13-30	035026.....	B13-54	035786.....	B11-55	037013.....	B13-46	037568.....	B6-55
034296.....	B13-24	034525.....	B13-30	035027.....	B13-54	035787.....	B11-55	037017.....	B13-46	037569.....	B6-55
034297.....	B13-24	034596.....	B13-16	035028.....	B13-54	035788.....	B11-55	037020.....	B13-46	037580.....	B6-53
034298.....	B13-24	034597.....	B13-16	035029.....	B13-54	035789.....	B11-55	037022.....	B13-46	037581.....	B6-53
034299.....	B13-24	034598.....	B13-16	035030.....	B13-54	035790.....	B11-55	037024.....	B13-46	037582.....	B6-53
034300.....	B13-24	034599.....	B13-16	035031.....	B13-55	035791.....	B11-55	037026.....	B13-46	037583.....	B6-53
034303.....	B13-24	034700.....	B1-28	035032.....	B13-55	035915.....	B11-116	037426.....	B11-88	037584.....	B6-53
034304.....	B13-24	034701.....	B1-28	035033.....	B13-55	035916.....	B11-116	037427.....	B11-88	037585.....	B6-53
034305.....	B13-24	034702.....	B1-28	035034.....	B13-55	035917.....	B11-116	037428.....	B11-88,	037586.....	B6-53
034306.....	B13-24	034703.....	B1-28	035035.....	B13-55	035929.....	B11-99		B11-89	037587.....	B6-53
034307.....	B13-24	034704.....	B1-28	035036.....	B13-55	035930.....	B11-99	037429.....	B11-89	037588.....	B6-53
034308.....	B13-24	034705.....	B1-28	035083.....	B13-55	035931.....	B11-99	037430.....	B11-89	037589.....	B6-53
034309.....	B13-24	034706.....	B1-28	035107.....	B13-54	035943.....	B11-99	037431.....	B11-89	037590.....	B6-53
034310.....	B13-24	034709.....	B1-28	035108.....	B13-54	035944.....	B11-99	037432.....	B11-88	037591.....	B6-53
034313.....	B13-26	034710.....	B1-36	035116.....	B13-55	035945.....	B11-99	037433.....	B11-88	037592.....	B6-53
034314.....	B13-26	034711.....	B1-36	035117.....	B13-55	035946.....	B11-99	037434.....	B11-88	037593.....	B6-53
034315.....	B13-26	034712.....	B1-36	035183.....	B11-89	036054.....	B7-19	037435.....	B11-88	037594.....	B6-53
034316.....	B13-26	034713.....	B1-36	035185.....	B11-89	036116.....	B7-19	037436.....	B11-88,	037595.....	B6-53
034317.....	B13-26	034714.....	B1-36	035417.....	B11-89	036118.....	B7-19		B11-89	037596.....	B6-53
034318.....	B13-26	034715.....	B1-36	035418.....	B11-89	036119.....	B7-19	037437.....	B11-88,	037597.....	B6-53
034319.....	B13-26	034716.....	B1-72	035431.....	B11-99	036120.....	B7-19		B11-89	037598.....	B6-53
034320.....	B13-26	034717.....	B1-72	035432.....	B11-99	036121.....	B7-19	037438.....	B11-89	037599.....	B6-53
034321.....	B13-26	034718.....	B1-72	035433.....	B11-99	036180.....	B15-39	037439.....	B11-89	037600.....	B6-53
034322.....	B13-26	034719.....	B1-72	035437.....	B11-116	036181.....	B15-39	037440.....	B11-89	037601.....	B6-53
034323.....	B13-26	034720.....	B1-72	035438.....	B11-116	036182.....	B15-39	037441.....	B11-88,	037602.....	B6-53
034324.....	B13-26	034721.....	B1-72	035439.....	B11-116	036183.....	B15-39		B11-89	037603.....	B6-53
034325.....	B13-26	034722.....	B1-72	035744.....	B11-117,	036184.....	B15-39	037442.....	B11-88	037604.....	B6-55
034326.....	B13-26	034725.....	B1-72		B11-123	036185.....	B15-39	037443.....	B11-88	037605.....	B6-55
034327.....	B13-26	034726.....	B1-50	035745.....	B11-117,	036186.....	B15-39	037444.....	B11-88	037606.....	B6-55
034328.....	B13-26	034727.....	B1-50		B11-123	036187.....	B15-39	037446.....	B11-88	037607.....	B6-55
034329.....	B13-26	034728.....	B1-50	035747.....	B11-117,	036188.....	B15-39	037447.....	B11-88	037608.....	B6-55
034330.....	B13-26	034729.....	B1-50		B11-123	036193.....	B15-39	037448.....	B11-88	037609.....	B6-55
034331.....	B13-26	034730.....	B1-50			036194.....	B15-39	037449.....	B11-89	037610.....	B6-55



# PART NUMBER INDEX



Part No.	Page	Part No.	Page	Part No.	Page	Part No.	Page	Part No.	Page	Part No.	Page
037611	B6-55	037690	B6-60	038200	B15-11	038929	B15-25, B15-26	039117	B11-52	039223	B11-37, B11-39
037612	B6-55	037850	B10-63	038201	B15-11			039118	B11-52		
037613	B6-55	037851	B10-63	038202	B15-11	038930	B15-25, B15-26	039119	B11-53	039224	B11-37, B11-39
037614	B6-55	037852	B10-63	038203	B15-11			039120	B11-53		
037615	B6-55	037853	B10-63	038204	B15-11	038932	B15-25, B15-26	039121	B11-53	039225	B11-38, B11-39
037616	B6-55	037854	B10-63	038205	B15-11			039122	B11-53		
037617	B6-55	037855	B10-63	038206	B15-11	039002	B15-25, B15-26	039123	B11-53	039226	B11-38, B11-39
037618	B6-55	037856	B10-63	038207	B15-11			039124	B11-53		
037619	B6-55	037857	B10-63	038208	B15-11	039003	BB15-25, B15-26	039125	B11-53	039227	B11-38, B11-39
037620	B6-55	037901	B10-63	038209	B15-11			039126	B11-53		
037621	B6-55	037902	B10-63	038210	B15-11	039004	B15-25, B15-26	039127	B11-53	039228	B11-38, B11-39
037622	B6-55	037903	B10-63	038211	B15-11			039128	B11-53		
037623	B6-55	037904	B10-63	038212	B15-11	039005	B15-25, B15-26	039129	B11-53	039289	B11-107, B11-110, B11-123
037624	B6-55	037905	B10-63	038213	B15-11			039138	B11-37		
037625	B6-55	037906	B10-63	038214	B15-11	039006	B15-25, B15-26	039141	B11-37		
037626	B6-55	037907	B10-63	038215	B15-11			039142	B11-37	039290	B11-123
037627	B6-55	037908	B10-63	038216	B15-11	039007	B15-25, B15-26	039147	B11-37	039291	B11-107, B11-110, B11-123
037628	B6-55	037909	B10-63	038217	B15-11			039148	B11-37		
037629	B6-55	037910	B10-63	038218	B15-11	039008	B15-25, B15-26	039151	B11-37		
037630	B6-55	037911	B10-63	038219	B15-11			039152	B11-37	039292	B11-107, B11-110, B11-123
037631	B6-55	037912	B10-63	038220	B15-11	039009	B15-25, B15-26	039155	B11-37		
037632	B6-53, B6-57	037913	B10-63	038221	B15-11			039156	B11-37		
037633	B6-53, B6-57	037914	B10-63	038222	B15-11	039010	B15-25, B15-26	039159	B11-37	039297	B11-107, B11-110, B11-123
037634	B6-53, B6-57	037915	B10-63	038223	B15-11			039160	B11-37		
037635	B6-53, B6-57	037916	B10-63	038224	B15-11	039011	B15-25, B15-26	039163	B11-37		
037636	B6-53, B6-55, B6-57	037917	B10-63	038225	B15-11			039164	B11-38	039355	B11-116
		037918	B10-63	038226	B15-11	039012	B15-25, B15-26	039165	B11-38	039356	B11-116
037637	B6-53, B6-55, B6-57	037919	B10-63	038227	B15-11			039166	B11-38	039357	B11-116
		037920	B10-63	038228	B15-11	039013	B15-25, B15-26	039167	B11-38	039358	B11-116
037638	B6-53, B6-55, B6-57	037921	B10-63	038229	B15-11			039168	B11-38	039359	B11-116
		037922	B10-63	038910	B15-25, B15-26	039014	B15-25, B15-26	039169	B11-38	039360	B11-116
037639	B6-53, B6-55, B6-57	037923	B10-63	038911	B15-25, B15-26			039170	B11-38	039361	B11-116
		037924	B10-63	038912	B15-25, B15-26	039015	B15-25, B15-26	039171	B11-38	039362	B11-116
037640	B6-53, B6-55, B6-57	037925	B10-73	038913	B15-25, B15-26			039172	B11-38	039371	B11-116
		037926	B10-73	038914	B15-25, B15-26	039016	B15-25, B15-26	039173	B11-38	039372	B11-116
037641	B6-53, B6-55, B6-57	037927	B10-73	038915	B15-25, B15-26			039174	B11-38	039373	B11-116
		037928	B10-73	038916	B15-25, B15-26	039017	B15-25, B15-26	039175	B11-105	039374	B11-116
037642	B6-53, B6-55, B6-57	037929	B10-73	038917	B15-25, B15-26			039177	B11-105	039375	B11-116
		037930	B10-73	038918	B15-25, B15-26	039018	B15-25, B15-26	039179	B11-105	039376	B11-116
037643	B6-53, B6-55, B6-57	037931	B10-73	038919	B15-25, B15-26			039181	B11-105	039377	B11-118
		037932	B10-73	038915	B15-25, B15-26	039019	B15-25, B15-26	039183	B11-105	039378	B11-118
037644	B6-55, B6-57	037933	B10-73	038916	B15-25, B15-26			039185	B11-105	039380	B11-118
037645	B6-55, B6-57	037934	B10-73	038917	B15-25, B15-26	039043	B15-25, B15-26	039187	B11-105	039381	B11-118
037646	B6-55, B6-57	037935	B10-73	038918	B15-25, B15-26			039189	B11-105	039382	B11-118
037647	B6-55, B6-57	037936	B10-73	038919	B15-25, B15-26	039044	B15-25, B15-26	039191	B11-105	039383	B11-118
037648	B6-55, B6-57	037937	B10-73	038920	B15-25, B15-26			039193	B11-105	039384	B11-118
037649	B6-55, B6-57	037938	B10-73	038921	B15-25, B15-26	039073	B15-25, B15-26	039195	B11-105	039385	B11-118
037650	B6-58	037939	B10-73	038922	B15-25, B15-26			039197	B11-105	039386	B11-118
037651	B6-58	037940	B10-73	038923	B15-25, B15-26	039084	B15-25, B15-26	039199	B11-105	039404	B11-99
037652	B6-58	038070	B15-12	038924	B15-25, B15-26			039201	B11-105	039405	B11-99
037653	B6-58	038071	B15-12	038925	B15-25, B15-26	039097	B15-25, B15-26	039203	B11-105	039406	B11-99
037654	B6-58	038072	B15-12	038926	B15-25, B15-26			039205	B11-105	039407	B11-99
037655	B6-58	038073	B15-12	038927	B15-25, B15-26	039100	B11-52	039207	B11-105	039413	B11-99
037656	B6-58	038074	B15-12	038928	B15-25, B15-26	039101	B11-52	039209	B11-105	039414	B11-99
037657	B6-58	038075	B15-12	038929	B15-25, B15-26	039102	B11-52	039211	B11-105	039415	B11-99
037658	B6-58	038076	B15-12	038930	B15-25, B15-26	039103	B11-52	039213	B11-105	039416	B11-99
037659	B6-58	038077	B15-12	038931	B15-25, B15-26	039104	B11-52	039215	B11-105	039417	B11-99
037660	B6-58	038078	B15-12	038932	B15-25, B15-26	039105	B11-52	039217	B11-37, B11-39	039418	B11-99
037673	B6-58	038109	B15-8	038933	B15-25, B15-26	039106	B11-52			039419	B11-99
037674	B6-58	038110	B15-8	038934	B15-25, B15-26	039107	B11-52	039218	B11-37, B11-39	039420	B11-99
037681	B6-60	038111	B15-8	038935	B15-25, B15-26	039108	B11-52			039421	B11-99
037682	B6-60	038112	B15-8	038936	B15-25, B15-26	039109	B11-53	039219	B11-37, B11-39	039422	B11-99
037683	B6-60	038113	B15-8	038937	B15-25, B15-26	039110	B11-53			039423	B11-99
037684	B6-60	038114	B15-8	038938	B15-25, B15-26	039111	B11-53	039220	B11-37, B11-39	039424	B11-99
037685	B6-60	038115	B15-8	038939	B15-25, B15-26	039112	B11-53			039425	B11-99
037686	B6-60	038116	B15-8	038940	B15-25, B15-26	039113	B11-52	039221	B11-37, B11-39	039426	B11-99
037687	B6-60	038117	B15-8	038941	B15-25, B15-26	039114	B11-52			039427	B11-99
037688	B6-60	038118	B15-8	038942	B15-25, B15-26	039115	B11-52	039222	B11-37, B11-39	039508	B11-36, B11-39
037689	B6-60	038119	B15-8			039116	B11-52				

# PART NUMBER INDEX



Part No.	Page	Part No.	Page	Part No.	Page	Part No.	Page	Part No.	Page	Part No.	Page				
039509.....	B11-36, B11-39	039672.....	B11-36, B11-39	039768.....	B11-99	040008.....	B1-92, B13-56	040684.....	B11-33, B11-45, B11-73, B11-107, B11-110	040711.....	B11-33, B11-45,				
039515.....	B11-107, B11-110, B11-117, B11-123	039673.....	B11-36, B11-39	039770.....	B11-99	040009.....	B1-92, B13-56	040685.....	B11-33, B11-35, B11-45, B11-73		B11-53, B11-55, B11-73, B11-99, B11-107, B11-110, B11-119, B11-123				
039530.....	B11-31, B11-36, B11-45, B11-58, B11-99	039674.....	B11-36, B11-39	039772.....	B11-99	040010.....	B1-92, B13-56	040689.....	B11-35, B11-37,	040712.....	B11-33, B11-45,				
039538.....	B11-31, B11-36, B11-45, B11-58, B11-99	039675.....	B11-36, B11-37, B11-39	039774.....	B11-99	040011.....	B1-92, B13-56	040690.....	B11-33, B11-37, B11-45, B11-73	040713.....	B11-53, B11-55, B11-73, B11-99, B11-107, B11-110, B11-119, B11-123				
039544.....	B11-36, B11-39	039676.....	B11-36, B11-37, B11-39	039776.....	B11-99	040012.....	B1-92, B13-56	040691.....	B11-45, B11-73		B11-45, B11-55, B11-73, B11-99, B11-107, B11-110, B11-119, B11-123				
039545.....	B11-36, B11-39	039677.....	B11-37, B11-39	039778.....	B11-99	040013.....	B1-92, B13-56	040700.....	B11-31, B11-45, B11-52, B11-54, B11-117, B11-123	040714.....	B11-33, B11-45,				
039553.....	B11-99	039678.....	B11-37, B11-39	039780.....	B11-99	040014.....	B1-92, B13-56	040701.....	B11-31, B11-45, B11-52, B11-54, B11-99, B11-117, B11-123	040830.....	B11-89, B11-97,				
039568.....	B11-107, B11-110, B11-117	039679.....	B11-37, B11-39	039781.....	B11-99	040015.....	B1-92, B13-56	040702.....	B11-31, B11-45, B11-52, B11-54, B11-73, B11-99, B11-117, B11-123	040838.....	B11-105, B11-115				
039575.....	B11-36	039680.....	B11-37, B11-39	039782.....	B11-99	040016.....	B1-92, B13-56	040703.....	B11-31, B11-45, B11-52, B11-54, B11-73, B11-99, B11-117, B11-123	040850.....	B11-129				
039576.....	B11-36	039681.....	B11-32, B11-39	039783.....	B11-99	040017.....	B1-92, B13-56	040704.....	B11-31, B11-45, B11-52, B11-54, B11-73, B11-99, B11-117, B11-123	040890.....	B11-31, B11-36, B11-45, B11-73				
039577.....	B11-36	039682.....	B11-105	039784.....	B11-99	040018.....	B1-92, B13-56	040891.....	B11-45, B11-73, B11-73, B11-99, B11-117, B11-123	040892.....	B11-31, B11-36, B11-45, B11-73				
039578.....	B11-36	039683.....	B11-105	039785.....	B11-99	040019.....	B1-92, B13-56	040893.....	B11-33, B11-37, B11-45, B11-73	040894.....	B11-33, B11-37, B11-45, B11-73				
039579.....	B11-30	039684.....	B11-105	039785.....	B11-99	040020.....	B1-92, B13-56	040895.....	B11-33, B11-37, B11-45, B11-73	040900.....	B11-35, B11-38, B11-45, B11-73				
039580.....	B11-36	039686.....	B11-105	039852.....	B11-31, B11-36, B11-45	040021.....	B1-92, B13-56	040901.....	B11-35, B11-38, B11-45, B11-73	040909.....	B11-35, B11-38, B11-45, B11-73				
039581.....	B11-36	039688.....	B11-105	039853.....	B11-31, B11-36, B11-45	040022.....	B1-92, B13-56	040909.....	B11-35, B11-38, B11-45, B11-73	040918.....	B11-31, B11-36, B11-45, B11-73				
039582.....	B11-36, B11-99	039689.....	B11-105	039854.....	B11-31, B11-36, B11-45	040023.....	B1-92, B13-56	040918.....	B11-31, B11-36, B11-45, B11-73	040919.....	B11-33, B11-37, B11-45, B11-73				
039583.....	B11-36, B11-99	039690.....	B11-105	039855.....	B11-31, B11-36, B11-45, B11-99	040024.....	B1-92, B13-56	040919.....	B11-33, B11-37, B11-45, B11-73		B11-45, B11-73				
039584.....	B11-36	039692.....	B11-105	039856.....	B11-31, B11-36, B11-45	040025.....	B1-92, B13-56		B11-52, B11-54, B11-73, B11-99, B11-117, B11-123		B11-45, B11-73				
039585.....	B11-36	039694.....	B11-105	039857.....	B11-31, B11-36, B11-45	040026.....	B1-92, B13-56		B11-52, B11-54, B11-73, B11-99, B11-107, B11-110, B11-117, B11-123		B11-45, B11-73				
039586.....	B11-36	039696.....	B11-105	039858.....	B11-31, B11-36, B11-45	040027.....	B1-92, B13-56		B11-107, B11-110, B11-117, B11-123		B11-45, B11-73				
039587.....	B11-36	039698.....	B11-105	039859.....	B11-33, B11-36, B11-45	040028.....	B1-92, B13-56		B11-117, B11-123		B11-45, B11-73				
039587.....	B11-36	039700.....	B11-105	039860.....	B11-33, B11-37, B11-45	040029.....	B1-92, B13-56		B11-45, B11-52, B11-54, B11-73, B11-99, B11-107, B11-110, B11-117, B11-123		B11-45, B11-73				
039588.....	B11-36	039702.....	B11-105	039861.....	B11-33, B11-37, B11-45	040030.....	B1-92, B13-56		B11-54, B11-55, B11-73, B11-99, B11-107, B11-110, B11-117, B11-123		B11-45, B11-73				
039589.....	B11-36	039704.....	B11-105	039862.....	B11-33, B11-37, B11-45	040031.....	B1-92, B13-56		B11-73, B11-99, B11-107, B11-110, B11-117, B11-123		B11-45, B11-73				
039590.....	B11-36	039706.....	B11-105	039863.....	B11-33, B11-37, B11-45, B11-99	040032.....	B1-92, B13-56		B11-117, B11-123		B11-45, B11-73				
039591.....	B11-36	039708.....	B11-105	039864.....	B11-33, B11-37, B11-45	040033.....	B1-92, B13-56		B11-31, B11-45, B11-53, B11-55, B11-73		B11-45, B11-73				
039592.....	B11-36	039710.....	B11-105	039865.....	B11-33, B11-37, B11-45	040034.....	B1-92, B13-56		B11-53, B11-55, B11-73, B11-99		B11-45, B11-73				
039593.....	B11-36	039712.....	B11-105	040001.....	B1-92, B13-56	040681.....	B11-33, B11-45, B11-73, B11-99, B11-107, B11-110, B11-119, B11-123	040705.....	B11-31, B11-45, B11-52, B11-54, B11-73, B11-99, B11-107, B11-110, B11-117, B11-123	040706.....	B11-31, B11-45, B11-52, B11-54, B11-73, B11-99, B11-107, B11-110, B11-117, B11-123	040707.....	B11-31, B11-45, B11-53, B11-55, B11-73		
039594.....	B11-36	039713.....	B11-105	040002.....	B1-92, B13-56	040682.....	B11-33, B11-45, B11-73, B11-107, B11-110, B11-119, B11-123	040708.....	B11-33, B11-45, B11-53, B11-55, B11-73, B11-99	040709.....	B11-33, B11-45, B11-53, B11-55, B11-73, B11-99, B11-107, B11-110, B11-119, B11-123	040710.....	B11-33, B11-45, B11-53, B11-55, B11-73, B11-99, B11-107, B11-110, B11-119, B11-123	040902.....	B11-35, B11-38, B11-45, B11-73
039595.....	B11-36	039714.....	B11-105	040003.....	B1-92, B13-56	040683.....	B11-33, B11-45, B11-73, B11-107, B11-110, B11-119, B11-123		B11-45, B11-53, B11-55, B11-73, B11-99, B11-110, B11-119, B11-123		B11-45, B11-73	040903.....	B11-35, B11-38, B11-45, B11-73		
039596.....	B11-36	039715.....	B11-105	040004.....	B1-92, B13-56		B11-45, B11-73, B11-107, B11-110, B11-119, B11-123		B11-119, B11-123		B11-45, B11-73	040904.....	B11-35, B11-38, B11-45, B11-73		
039597.....	B11-37	039716.....	B11-105	040005.....	B1-92, B13-56		B11-45, B11-73, B11-107, B11-110, B11-119, B11-123				B11-45, B11-73		B11-31, B11-36, B11-45, B11-73		
039598.....	B11-37	039717.....	B11-116	040006.....	B1-92, B13-56						B11-45, B11-73		B11-31, B11-37, B11-45, B11-73		
039599.....	B11-37	039718.....	B11-116	040007.....	B1-92, B13-56						B11-45, B11-73				
039600.....	B11-37	039719.....	B11-116												
039601.....	B11-37	039721.....	B11-116												
039602.....	B11-37	039722.....	B11-116												
039603.....	B11-37	039723.....	B11-116												
039604.....	B11-37	039725.....	B11-116												
039605.....	B11-37	039727.....	B11-116												
039606.....	B11-32	039729.....	B11-116												
039665.....	B11-36, B11-39	039731.....	B11-116												
039666.....	B11-36, B11-39	039733.....	B11-116												
039667.....	B11-36, B11-39	039735.....	B11-116												
039668.....	B11-36, B11-39	039737.....	B11-116												
039669.....	B11-30, B11-39	039739.....	B11-116												
	B11-52, B11-54, B11-56, B11-81	039741.....	B11-116												
039670.....	B11-36, B11-39	039743.....	B11-116												
039671.....	B11-36, B11-39	039745.....	B11-118												
		039747.....	B11-118												
		039749.....	B11-118												
		039750.....	B11-118												
		039751.....	B11-118												
		039752.....	B11-118												
		039753.....	B11-118												
		039754.....	B11-118												
		039755.....	B11-118												
		039760.....	B11-99												
		039762.....	B11-39, B11-99												
		039764.....	B11-99												
		039766.....	B11-99												



# PART NUMBER INDEX



Part No.	Page	Part No.	Page	Part No.	Page	Part No.	Page	Part No.	Page	Part No.	Page
042521	B11-33, B11-36, B11-45, B11-55, B11-56, B11-58, B11-73, B11-99	042538	B11-33, B11-37, B11-45, B11-73, B11-99, B11-107, B11-110, B11-119, B11-123	043393	B11-81, B11-85	043542	B11-31, B11-36, B11-45, B11-52, B11-58, B11-73, B11-99	043559	B11-33, B11-37, B11-45, B11-73, B11-99	043582	B11-88, B11-97
042522	B11-33, B11-37, B11-45, B11-55, B11-73	042539	B11-33, B11-37, B11-45, B11-73	043400	B11-81, B11-85	043543	B11-31, B11-36, B11-45, B11-52, B11-73	043560	B11-33, B11-37, B11-45, B11-58, B11-73, B11-99	043583	B11-88, B11-97
042523	B11-33, B11-37, B11-45, B11-55, B11-56, B11-58, B11-73, B11-99	042540	B11-33, B11-37, B11-45, B11-73	043401	B11-81	043544	B11-31, B11-36, B11-45, B11-52, B11-73	043561	B11-33, B11-37, B11-45, B11-73, B11-99	043584	B11-88, B11-97
042524	B11-33, B11-37, B11-45, B11-55, B11-73	042541	B11-35, B11-38, B11-45, B11-73	043402	B11-81, B11-85	043545	B11-31, B11-36, B11-45, B11-52, B11-73	043562	B11-33, B11-45, B11-73, B11-107, B11-110, B11-119, B11-123	043585	B11-35, B11-48, B11-75
042525	B11-33, B11-37, B11-45, B11-55, B11-73, B11-99, B11-107, B11-110, B11-119, B11-123	042542	B11-35, B11-38, B11-45, B11-73	043403	B11-81, B11-85	043546	B11-31, B11-36, B11-45, B11-52, B11-58, B11-73, B11-99	043563	B11-33, B11-37, B11-45, B11-73	043586	B11-35, B11-48, B11-75
042526	B11-33, B11-37, B11-45, B11-55, B11-58, B11-73, B11-99	042543	B11-35, B11-38, B11-45, B11-73	043404	B11-81, B11-85	043547	B11-31, B11-36, B11-45, B11-53, B11-73, B11-107, B11-110, B11-123	043564	B11-33, B11-37, B11-45, B11-58, B11-73, B11-99	043600	B11-75
042527	B11-33, B11-37, B11-45, B11-55, B11-73, B11-107, B11-110, B11-119, B11-123	042544	B11-35, B11-38, B11-45, B11-73	043405	B11-81, B11-85	043548	B11-31, B11-36, B11-45, B11-53, B11-73	043565	B11-33, B11-37, B11-45, B11-73, B11-99	043601	B11-75
042528	B11-33, B11-37, B11-45, B11-55, B11-58, B11-73, B11-99, B11-107, B11-110, B11-119, B11-123	042545	B11-35, B11-38, B11-45, B11-73	043406	B11-81, B11-85	043549	B11-33, B11-36, B11-45, B11-53, B11-58, B11-73, B11-99	043566	B11-33, B11-37, B11-45, B11-73	043602	B11-75
042529	B11-33, B11-37, B11-45, B11-55, B11-73	042546	B11-37, B11-45, B11-117	043407	B11-81, B11-85	043550	B11-33, B11-37, B11-45, B11-53, B11-73	043567	B11-33, B11-37, B11-45, B11-73	043603	B11-75
042530	B11-33, B11-37, B11-45, B11-73, B11-99	042547	B11-117	043408	B11-81, B11-85	043551	B11-33, B11-37, B11-45, B11-53, B11-58, B11-73, B11-99	043568	B11-35, B11-38, B11-45, B11-73	043604	B11-75
042531	B11-33, B11-37, B11-45, B11-73, B11-99	042548	B11-65	043409	B11-81, B11-84	043552	B11-33, B11-37, B11-45, B11-53, B11-58, B11-73, B11-99	043569	B11-35, B11-38, B11-45, B11-73	043605	B11-75
042532	B11-33, B11-37, B11-45, B11-73	042549	B11-65	043410	B11-81, B11-84	043553	B11-33, B11-37, B11-45, B11-53, B11-58, B11-73, B11-99	043570	B11-35, B11-38, B11-45, B11-73	043606	B11-75
042533	B11-33, B11-37, B11-45, B11-58, B11-73, B11-99	042550	B11-65	043411	B11-81, B11-85	043554	B11-33, B11-37, B11-45, B11-53, B11-58, B11-73, B11-99	043571	B11-35, B11-38, B11-45, B11-73	043607	B11-75
042534	B11-33, B11-37, B11-45, B11-73, B11-99	042551	B11-65	043412	B11-81, B11-85	043555	B11-33, B11-37, B11-45, B11-53, B11-58, B11-73, B11-99	043572	B11-35, B11-38, B11-45, B11-73	043608	B11-75
042535	B11-33, B11-37, B11-45, B11-73, B11-99, B11-107, B11-110, B11-119, B11-123	042552	B11-65	043421	B11-81	043556	B11-33, B11-37, B11-45, B11-53, B11-58, B11-73, B11-99	043573	B11-35, B11-38, B11-45, B11-73	043609	B11-75
042536	B11-33, B11-37, B11-45, B11-73	042553	B11-65	043422	B11-81	043557	B11-33, B11-37, B11-45, B11-53, B11-58, B11-73, B11-99	043574	B11-35, B11-38, B11-45, B11-73	043610	B11-75
042537	B11-33, B11-37, B11-45, B11-58, B11-73, B11-99	042554	B11-65	043423	B11-81	043558	B11-33, B11-37, B11-45, B11-53, B11-58, B11-73, B11-99	043575	B11-35, B11-38, B11-45, B11-73	043611	B11-75
		042555	B11-65	043424	B11-81, B11-84	043559	B11-33, B11-37, B11-45, B11-53, B11-58, B11-73, B11-99	043576	B11-35, B11-38, B11-45, B11-73	043612	B11-75
		042556	B11-65	043425	B11-81, B11-84	043560	B11-33, B11-37, B11-45, B11-53, B11-58, B11-73, B11-99	043577	B11-35, B11-38, B11-45, B11-73	043613	B11-75
		042557	B11-65	043426	B11-81, B11-84	043561	B11-33, B11-37, B11-45, B11-53, B11-58, B11-73, B11-99	043578	B11-35, B11-38, B11-45, B11-73	043614	B11-75
		042558	B11-65	043427	B11-81, B11-84	043562	B11-33, B11-37, B11-45, B11-53, B11-58, B11-73, B11-99	043579	B11-35, B11-38, B11-45, B11-73	043615	B11-75
		042559	B11-65	043428	B11-81, B11-84	043563	B11-33, B11-37, B11-45, B11-53, B11-58, B11-73, B11-99	043580	B11-35, B11-38, B11-45, B11-73	043616	B11-75
		042560	B11-65	043429	B11-81, B11-84	043564	B11-33, B11-37, B11-45, B11-53, B11-58, B11-73, B11-99	043581	B11-35, B11-38, B11-45, B11-73	043617	B11-75
		042561	B11-65	043430	B11-81, B11-84	043565	B11-33, B11-37, B11-45, B11-53, B11-58, B11-73, B11-99			043618	B11-33, B11-37, B11-48, B11-75
		042562	B6-55, B6-61	043431	B11-81, B11-84					043619	B11-33, B11-37, B11-48, B11-75
		042563	B6-55, B6-61	043432	B11-81, B11-84					043620	B11-33, B11-37, B11-48, B11-75
		042564	B6-55, B6-61	043433	B11-81, B11-84					043621	B11-33, B11-37, B11-48, B11-75
		042565	B6-55, B6-61	043434	B11-81, B11-84					043622	B11-33, B11-37, B11-48, B11-75
		042566	B6-55, B6-61	043435	B11-81, B11-84					043623	B11-33, B11-37, B11-48, B11-75
		042567	B6-55, B6-61	043436	B11-81, B11-84					043624	B11-33, B11-37, B11-48, B11-75
		042568	B6-55, B6-61	043437	B11-81, B11-84					043625	B11-33, B11-37, B11-48, B11-75
		042569	B6-55, B6-61	043438	B11-81, B11-84					043626	B11-33, B11-37, B11-48, B11-75
		042570	B11-65	043439	B11-81, B11-84					043627	B11-33, B11-37, B11-48, B11-75
		042571	B11-65	043440	B11-81, B11-84					043628	B11-33, B11-37, B11-48, B11-75
		042572	B11-65	043441	B11-81, B11-84					043629	B11-33, B11-37, B11-48, B11-75
		042573	B11-65	043442	B11-81, B11-84					043630	B11-33, B11-37, B11-48, B11-75
		042574	B11-65	043443	B11-81, B11-84					043631	B11-33, B11-37, B11-48, B11-75
		042575	B11-65	043444	B11-81, B11-84					043632	B11-33, B11-37, B11-48, B11-75
		042576	B11-65	043445	B11-81, B11-84						
		042577	B11-65	043446	B11-81, B11-84						
		042578	B11-65	043447	B11-81, B11-84						
		042579	B11-65	043448	B11-81, B11-84						
		042580	B11-65	043449	B11-81, B11-84						
		042581	B11-65	043450	B11-81, B11-84						
		042582	B11-65	043451	B11-81, B11-84						
		042583	B6-55, B6-61	043452	B11-81, B11-84						
		042584	B6-55, B6-61	043453	B11-81, B11-84						
		042585	B11-65	043454	B11-81, B11-84						
		042586	B11-65	043455	B11-81, B11-84						
		042587	B11-65	043456	B11-81, B11-84						
		042588	B11-65	043457	B11-81, B11-84						
		042589	B11-65	043458	B11-81, B11-84						
		042590	B11-65	043459	B11-81, B11-84						
		042591	B11-65	043460	B11-81, B11-84						
		042592	B11-65	043461	B11-81, B11-84						
		042593	B11-107, B11-119	043462	B11-81, B11-84						
		043015	B11-30	043463	B11-81, B11-84						
		043048	B11-30	043464	B11-81, B11-84						
		043109	B11-33, B11-37	043465	B11-81, B11-84						
		043249	B11-30	043466	B11-81, B11-84						
		043248	B11-30	043467	B11-81, B11-84						
		043386	B11-33, B11-37, B11-45, B11-73	043468	B11-81, B11-84						
			B11-45, B11-73	043469	B11-81, B11-84						
				043470	B11-81, B11-84						
				043471	B11-81, B11-84						
				043472	B11-81, B11-84						
				043473	B11-81, B11-84						
				043474	B11-81, B11-84						
				043475	B11-81, B11-84						
				043476	B11-81, B11-84						
				043477	B11-81, B11-84						
				043478	B11-81, B11-84						
				043479	B11-81, B11-84						
				043480	B11-81, B11-84						
				043481	B11-81, B11-84						
				043482	B11-81, B11-84						
				043483	B11-81, B11-84						
				043484	B11-81, B11-84						
				043485	B11-81, B11-84						
				043486	B11-81, B11-84						
				043487	B11-81, B11-84						
				043488</							





# PART NUMBER INDEX



Part No.	Page	Part No.	Page	Part No.	Page	Part No.	Page	Part No.	Page	Part No.	Page
048931	B10-75, B12-16	051606	B4-64	053067	B6-61	055806	B6-61	056806	B1-66	058294	B1-64
048932	B10-75, B12-16	051825	B3-134	053140	B5-28	055807	B6-61	056807	B1-66	058311	B1-54
048933	B10-75, B12-16	051826	B3-133	053169	B3-133	055840	B6-61	056808	B1-66	058336	B1-54
048934	B10-75, B12-16	051827	B3-133	053201	B12-18	055876	B11-58	056809	B1-66	058345	B1-82
048937	B12-16	051841	B11-56, B12-13, B12-19	053219	B4-28	055881	B11-58	056810	B1-66	058347	B5-50
048938	B12-16	051885	B4-28	053326	B4-32	055898	B11-58	056830	B4-24	058380	B3-134
048939	B12-16	051906	B3-133	053339	B4-28	055906	B11-58	056862	B4-32	058395	B5-38
048940	B12-16	052015	B3-133	053411	B4-28	055907	B11-58	056864	B3-133	058404	B1-42
049235	B6-61	052045	B4-64	053412	B4-28	055915	B6-61	056867	B5-24	058470	B1-42
049380	B1-42	052047	B3-134	053413	B4-28	055931	B6-61, B10-67, B11-58	056889	B5-28	058514	B1-68
049385	B4-64	052048	B3-134	053414	B4-28	055940	B10-67, B11-58	056890	B5-30	058515	B1-46
049415	B5-52	052081	B11-89, B11-96	053415	B4-28	055943	B6-61	056893	B1-42	058516	B1-24
049430	B5-58	052093	B1-84	053416	B4-28	055944	B6-61	056911	B3-135	058593	B1-42
049447	B5-28	052093	B5-60	053417	B4-28	055945	B10-67, B11-58	056961	B5-22	058594	B1-64
049462	B3-133	052276	B3-134	053418	B4-28	055948	B6-61	056962	B5-22	058595	B1-64
049467	B5-44	052294	B3-133	053493	B5-44	056100	B6-45	056964	B1-44	058596	B1-18
049469	B1-26	052311	B3-133	053517	B5-48	056102	B6-45	056967	B5-22	058597	B1-18
049470	B4-56	052478	B3-134	053563	B3-134	056104	B6-45	056968	B5-36	058619	B3-134
049477	B1-66	052532	B3-134	053617	B4-32	056106	B6-45	056970	B5-36	058625	B5-22
049496	B5-48	052535	B5-28	053628	B6-61	056108	B6-45	056971	B1-44	058632	B1-32
049610	B5-40	052540	B3-133	053670	B3-133	056109	B6-45	057018	B15-42	058633	B3-134
049686	B1-44	052546	B5-48	053763	B4-44	056108	B6-45	057021	B15-42	058647	B5-48
049696	B5-50	052555	B5-28	053784	B5-42	056110	B6-45	057024	B15-42	058648	B1-54
049709	B5-30	052567	B4-56	053871	B3-135	056112	B6-45	057027	B15-42	058652	B3-135
049747	B5-48	052570	B11-56, B12-13, B12-19	053894	B3-135	056114	B6-45	057030	B15-42	058665	B1-82
049751	B4-40	052604	B3-133	053895	B3-135	056130	B6-45	057033	B15-42	058690	B3-133
049781	B5-56	052618	B3-133	053955	B3-134	056132	B6-45	057036	B15-42	058699	B11-56
049787	B4-28	052618	B1-82	053986	B1-84	056134	B6-45	057039	B15-42	058738	B3-135
049802	B4-28	052620	B1-82	053986	B5-60	056136	B6-45	057102	B1-82	058778	B4-34
049803	B4-28	052622	B1-82	054063	B3-135	056138	B6-45	057114	B3-134	058779	B4-34
049811	B3-135	052623	B1-82	054065	B3-134	056140	B6-45	057132	B3-134	058792	B1-42
049813	B5-54	052626	B5-44	054142	B5-22	056142	B6-45	057212	B3-134	058852	B3-134
049835	B1-42	052637	B11-56, B12-13, B12-19	054145	B1-82	056144	B6-45	057265	B3-135	058898	B5-34
049838	B5-40	052638	B11-56, B12-13, B12-19	054190	B3-133	056440	B1-64	057266	B5-50	058902	B11-56
049841	B4-12	052639	B11-56, B12-13, B12-19	054203	B3-133, B3-134	056468	B5-58	057338	B3-133	058903	B11-56
049843	B4-12	052640	B11-56, B12-13, B12-19	054276	B3-133	056497	B1-18	057363	B3-134	058904	B11-56
049844	B4-12	052644	B11-56, B12-13, B12-19	054300	B3-133	056512	B5-34	057368	B3-134	058905	B11-56
049845	B4-64	052644	B11-56, B12-13, B12-19	054300	B3-133	056525	B1-22	057442	B1-24	058906	B11-56
049848	B4-12	052644	B11-56, B12-13, B12-19	054314	B3-133	056526	B1-42	057474	B3-133	058907	B11-56
049855	B5-54	052644	B11-56, B12-13, B12-19	054315	B3-134	056548	B1-20	057475	B5-42	058908	B11-56
049879	B4-32	052641	B11-56, B12-13, B12-19	054316	B3-134	056552	B1-44	057487	B3-134	058909	B11-56
049884	B4-56	052644	B11-56, B12-13, B12-19	054342	B3-133	056553	B1-20	057524	B1-42	058910	B1-64
049891	B3-135	052644	B11-56, B12-13, B12-19	054390	B5-50	056555	B1-22	057543	B5-44	058915	B3-135
049893	B3-135	052642	B11-56, B12-13, B12-19	054411	B5-50	056577	B1-32	057594	B1-42	058931	B1-18
049894	B3-134	052643	B11-56, B12-13, B12-19	054412	B3-134	056578	B3-135	057658	B5-44	058940	B1-76
049930	B5-30	052644	B11-56, B12-13, B12-19	054419	B3-133	056580	B1-42	057683	B3-135	058941	B1-42
049945	B3-126	052644	B11-56, B12-13, B12-19	054455	B5-14	056588	B3-134	057687	B1-42	058944	B1-18
049950	B4-56	052644	B11-56, B12-13, B12-19	054534	B3-133	056593	B1-66	057692	B4-28	058965	B1-82
049991	B3-134	052644	B11-56, B12-13, B12-19	054556	B3-134	056605	B5-48	057708	B3-134	058975	B1-18
049996	B1-20	052668	B5-28	054580	B3-135	056610	B5-8	057770	B5-48	058989	B1-82
050189	B3-133	052722	B5-48	054593	B3-134	056611	B1-44	057800	B3-134	058994	B5-44
050420	B4-44	052729	B4-32	054782	B3-133	056612	B1-44	057801	B3-134	058996	B4-64
050474	B11-89, B11-95	052762	B4-12	054831	B3-135	056630	B3-134	057839	B3-135	058997	B5-14, B5-16
050524	B1-82	052763	B4-12	054837	B3-135	056633	B1-66	057847	B3-133	059593	B5-48
050531	B11-89, B11-97	052931	B5-22	054843	B3-133	056638	B5-48, B5-50	057898	B1-18	059595	B4-34
050555	B3-135	052932	B4-26	054917	B3-134	056676	B5-14	057899	B1-64	059596	B4-34
050580	B1-82	052959	B4-56	054918	B3-134	056696	B5-24	057906	B3-135	059614	B3-134
050653	B1-82	052981	B1-82	054934	B3-134	056734	B1-44	057907	B1-64	059636	B3-135
050654	B1-82	052984	B5-22	054950	B4-10	056779	B5-46	057908	B1-54	059652	B6-61
050656	B1-82	053007	B4-40	054960	B6-61	056780	B5-30	057958	B11-58	059652	B10-67
050658	B3-32	053008	B4-20	055572	B11-58	056784	B4-32	057966	B11-58	059652	B11-58
050839	B4-32	053011	B5-20	055654	B11-58	056796	B1-20	058081	B5-46	059667	B4-10
050951	B4-32	053042	B4-20	055710	B11-58	056797	B1-20	058183	B3-134	059673	B3-133
051513	B3-133	053045	B5-58	055712	B11-58	056800	B1-22	058194	B3-133	059680	B5-22
		053047	B4-20	055714	B11-58	056801	B1-44	058219	B14-41	059696	B3-134
				055716	B11-58	056802	B1-44	058233	B3-135	059704	B5-48
				055734	B11-58	056803	B1-44	058262	B3-133	059705	B5-34
				055740	B11-58	056804	B1-44	058263	B3-133	059722	B1-18
				055805	B6-61	056805	B1-44	058275	B4-20	059737	B3-133

# PART NUMBER INDEX



Take-Up Frames

Engineering

Index

Part No.	Page	Part No.	Page	Part No.	Page	Part No.	Page	Part No.	Page	Part No.	Page
059754	B5-58	062829	B3-133	064147	B1-38	065302	B7-13	066250	B7-32	066365	B7-35
059758	B5-50	062837	B1-18	064149	B3-122	065303	B7-13	066252	B7-32	066366	B7-35
059798	B1-22	062861	B2-14	064149	B3-122	065304	B7-16	066253	B7-32	066367	B7-35
059799	B1-22	062874	B1-22	064178	B4-56	065305	B7-16	066254	B7-32	066370	B7-35
059821	B3-133	062875	B1-24	064211	B2-34	065306	B7-16	066256	B7-32	066371	B7-35
059823	B1-42	062877	B3-133	064230	B4-10	065310	B7-13	066257	B7-32	066372	B7-35
059844	B3-135	062879	B1-22	064289	B4-36	065311	B7-11	066258	B7-32	066373	B7-35
059850	B5-22	062880	B5-54	064300	B5-48, B5-50	065312	B7-11	066260	B7-35	066374	B7-35
059857	B5-22	062881	B5-50	064430	B5-44	065313	B7-11	066261	B7-35	066375	B7-35
059869	B1-84, B5-60	062893	B4-38	064463	B2-14	065314	B7-11	066262	B7-32	066377	B7-35
059870	B1-20	062899	B4-56	064472	B2-34, B2-40	065315	B7-11	066263	B7-32	066378	B7-35
059880	B5-44	062901	B1-62	064473	B5-24	065316	B7-11	066266	B7-32	066379	B7-35
059882	B5-14	062913	B1-44	064483	B4-30	065317	B7-11	066268	B7-35	066381	B7-35
059954	B3-134	062945	B4-40	064497	B2-24	065530	B4-44	066269	B7-32	066382	B7-35
060578	B6-47	062958	B2-14	064503	B1-38	065551	B5-64	066270	B7-32	066384	B7-35
060579	B6-47	062978	B2-12	064535	B5-64	065555	B4-56	066271	B7-32	066385	B7-35
060745	B6-47	062993	B2-12	064536	B4-28	065597	B2-26	066272	B7-35	066386	B7-35
060746	B6-47	062994	B1-44	064557	B3-134	065598	B2-20	066273	B7-32	066388	B7-35
060747	B6-47	063359	B7-57	064572	B1-18	065600	B1-66	066274	B7-35	066389	B7-35
060748	B6-47	063360	B7-57	064584	B1-60	065607	B2-54	066276	B7-35	066400	B7-35
060749	B6-47	063361	B7-57	064624	B5-30	065616	B4-10	066278	B7-35	066403	B7-35
060750	B6-47	063362	B7-57	064670	B2-60	065620	B2-14	066279	B7-41	066405	B7-35
060751	B6-47	063363	B7-57	064684	B2-28	065634	B4-64	066280	B7-41	066406	B7-35
060752	B6-47	063364	B7-57	064698	B5-48	065635	B4-32	066281	B7-41	066407	B7-35
060753	B6-47	063365	B7-57	064735	B5-30	065636	B4-22	066282	B7-41	066409	B7-35
060754	B6-47	063366	B7-57	064750	B4-40	065655	B1-18	066283	B7-41	066411	B7-35
060755	B6-47	063368	B7-57	064762	B4-56	065658	B5-22	066284	B7-41	066412	B7-35
060756	B6-47	063369	B7-57	064794	B2-20	065666	B4-56	066285	B7-41	066413	B7-35
060905	B11-118	063389	B7-57	064825	B5-10	065694	B1-40	066286	B7-41	066414	B7-35
060906	B11-118	063390	B7-57	064839	B1-18	065770	B5-24	066287	B7-41	066415	B7-35
061082	B7-21	063392	B7-57	064841	B2-14	065771	B5-24	066288	B7-41	066417	B7-35
061083	B7-21	063393	B7-57	064865	B3-122	065776	B2-20	066289	B7-41	066418	B7-35
061084	B7-21	063394	B7-57	064874	B2-20	065777	B2-20	066290	B7-41	066419	B7-35
061085	B7-21	063395	B7-57	064875	B2-20	065780	B1-64	066291	B7-41	066421	B7-35
061086	B7-21	063396	B7-57	064882	B4-10	065784	B5-10, B5-18	066292	B7-41	066422	B7-35
061087	B7-21	063398	B7-57	064890	B5-48	065786	B1-42	066293	B7-41	066424	B7-35
062040	B7-47	063399	B7-57	064910	B4-28	065945	B1-66	066294	B7-41	066425	B7-35
062070	B7-47	063411	B7-57	064929	B4-48	065969	B2-28	066295	B7-41	066426	B7-35
062143	B5-12	063420	B7-59	064993	B1-62	066212	B7-32	066296	B7-41	066428	B7-35
062152	B5-36	063421	B7-59	064994	B1-16	066213	B7-32	066297	B7-41	066429	B7-35
062157	B3-134	063422	B7-59	065238	B7-11	066214	B5-14, B7-32	066298	B7-41	066444	B7-35
062182	B3-134	063424	B7-59	065244	B7-11	066215	B7-32	066299	B7-41	066445	B7-41
062184	B5-48	063426	B7-59	065258	B7-16	066216	B7-32	066300	B7-32	066446	B7-41
062187	B5-10	063429	B7-59	065260	B7-16	066217	B7-32	066301	B7-32	066447	B7-41
062263	B5-38	063450	B7-59	065262	B7-16	066218	B7-32	066302	B7-32	066448	B7-41
062281	B5-44	063451	B7-59	065265	B7-16	066220	B7-32	066303	B7-32	066450	B7-41
062285	B5-50	063452	B7-59	065268	B7-16	066222	B7-32	066304	B7-32	066451	B7-41
062306	B5-48	063454	B7-59	065270	B7-16	066223	B7-32	066305	B7-32	066455	B7-41
062307	B4-28	063456	B7-59	065271	B7-16	066224	B7-35	066306	B7-32	066456	B7-41
062309	B3-134	063459	B7-59	065274	B7-16	066225	B7-35	066307	B7-32	066457	B7-41
062317	B1-54	063500	B14-41	065282	B7-16	066226	B7-32	066308	B7-32	066458	B7-41
062337	B4-58	063575	B14-41	065283	B7-16	066228	B7-32	066309	B7-32	066459	B7-41
062339	B4-58	063694	B6-61, B10-67, B11-58	065284	B7-16	066230	B7-32	066310	B7-32	066460	B7-41
062340	B1-66	063765	B10-66	065285	B7-16	066231	B7-35	066311	B7-32	066461	B7-41
062373	B5-42	063766	B10-66	065286	B7-16	066232	B7-32	066312	B7-41	066463	B7-41
062439	B4-40	063767	B10-66	065287	B7-16	066234	B7-32	066314	B7-35	066464	B7-41
062443	B5-56	063767	B10-66	065288	B7-16	066235	B7-35	066315	B7-41	066465	B7-41
062454	B4-44	063768	B10-66	065289	B7-11	066236	B7-32	066316	B7-41	066466	B7-41
062497	B4-42	063769	B10-66	065290	B7-11	066237	B7-32	066317	B7-41	066467	B7-41
062500	B4-18	063770	B10-66	065291	B7-11	066238	B7-35	066318	B7-41	066468	B7-41
062525	B5-28	063771	B10-67	065292	B7-11	066240	B7-35	066319	B7-41	066469	B7-41
062542	B1-66	063772	B10-67	065293	B7-11	066242	B7-35	066320	B7-41	066471	B7-41
062570	B3-126	063773	B10-67	065294	B7-11	066243	B7-32	066321	B7-41	066472	B7-41
062572	B3-133	063774	B10-67	065295	B7-11	066244	B7-35	066322	B7-41	066473	B7-41
062682	B2-14	063775	B10-67	065296	B7-11	066245	B7-35	066324	B7-41	066475	B7-41
062702	B5-50	063776	B10-67	065297	B7-11	066246	B7-32	066325	B7-41	066476	B7-41
062741	B2-18	064064	B1-18	065298	B7-13	066247	B7-32	066326	B7-41	066478	B7-41
062742	B2-18	064079	B2-36	065299	B7-13	066248	B7-32	066360	B7-35	066479	B7-41
062779	B3-134	064096	B4-56	065300	B7-13	066249	B7-32	066363	B7-35	066480	B7-41



# PART NUMBER INDEX



Part No.	Page	Part No.	Page	Part No.	Page	Part No.	Page	Part No.	Page	Part No.	Page
066482	B7-41	066584	B7-41	067155	B7-46	068205	B4-16	069061	B7-16	069406	B10-21
066483	B7-41	066585	B7-41	067156	B7-46	068206	B4-16	069062	B7-16	069407	B10-21
066484	B7-41	066587	B7-41	067157	B7-46	068207	B4-48	069063	B7-16	069408	B10-21
066485	B7-41	066588	B7-41	067159	B7-46	068208	B4-48	069064	B7-16	069409	B10-21
066486	B7-41	066589	B7-41	067164	B7-46	068209	B4-48	069065	B7-16	069410	B10-21
066487	B7-41	066590	B7-41	067234	B6-61	068210	B4-50	069066	B7-16	069411	B10-21
066488	B7-41	066591	B7-41	067323	B6-61	068211	B4-50	069067	B7-16	069412	B10-21
066489	B7-41	066593	B7-41	067326	B11-58	068212	B4-50	069069	B7-16	069413	B10-21
066499	B7-41	066594	B7-41	067340	B6-61	068213	B4-32	069340	B10-57	069414	B10-23
066500	B7-41	066596	B7-41	067342	B6-61	068214	B4-32	069341	B10-57	069415	B10-23
066501	B7-41	066598	B7-41	067343	B6-61	068215	B4-32	069342	B10-57	069416	B10-23
066502	B7-41	066600	B7-41	067344	B6-61	068216	B4-32	069343	B10-57	069417	B10-23
066503	B7-41	066601	B7-41	067345	B6-61	068230	B2-20	069344	B10-57	069418	B10-23
066504	B7-41	066602	B7-41	067346	B6-61	068232	B5-50	069345	B10-57	069419	B10-23
066506	B7-41	066603	B7-41	067347	B6-61	068236	B1-20	069346	B10-57	069420	B10-23
066507	B7-41	066604	B7-41	067348	B6-61	068239	B3-135	069347	B10-57	069421	B10-23
066509	B7-41	066605	B7-41	067350	B6-61	068273	B2-54	069348	B10-57	069422	B10-23
066510	B7-41	066606	B7-41	067352	B6-61	068283	B1-44	069349	B10-57	069423	B10-23
066511	B7-41	066607	B7-41	067353	B6-61	068290	B3-133	069350	B10-57	069424	B10-23
066512	B7-41	066629	B10-74	067354	B6-61	068320	B5-34	069351	B10-57	069425	B10-23
066513	B7-41	066630	B10-74	067355	B6-61	068321	B5-44	069352	B10-57	069426	B10-23
066514	B7-41	066631	B10-74	067356	B6-61	068322	B1-18	069353	B10-57	069427	B10-23
066515	B7-41	066632	B10-74	067357	B6-61	068329	B2-28	069354	B10-59	069428	B10-21
066516	B7-41	066633	B10-74	067501	B11-58	068373	B5-16	069355	B10-59	069429	B10-21
066517	B7-41	066634	B10-74	067503	B11-58	068387	B4-40	069356	B10-59	069430	B10-21
066519	B7-41	066635	B10-74	067509	B11-58	068389	B5-48	069357	B10-59	069431	B10-21
066520	B7-41	066636	B10-74	067511	B11-58	068400	B4-30	069358	B10-59	069432	B10-21
066521	B7-41	066637	B10-74	067517	B11-58	068424	B1-64	069359	B10-59	069433	B10-21
066522	B7-41	066638	B10-74	067519	B11-58	068471	B4-64	069360	B10-59	069434	B10-21
066523	B7-41	066642	B10-74	067520	B11-58	068495	B1-18	069361	B10-59	069435	B10-21
066524	B7-41	066643	B10-74	067521	B11-58	068537	B5-10	069362	B10-59	069436	B10-21
066526	B7-41	066644	B10-74	067576	B6-61, B10-67, B11-58	068561	B4-40	069363	B10-59	069437	B10-21
066527	B7-41	067007	B7-45	067601	B4-38	068608	B5-56	069364	B10-59	069438	B10-21
066528	B7-41	067016	B7-45	067630	B1-20	068662	B2-26	069365	B10-59	069439	B10-21
066530	B7-41	067031	B7-45	067630	B1-20	068663	B5-30	069366	B10-59	069440	B10-21
066531	B7-41	067034	B7-45	067678	B1-16	068673	B2-28	069367	B10-59	069441	B10-21
066533	B7-41	067042	B7-45	067710	B3-133	068680	B2-26	069368	B10-57	069442	B10-23
066534	B7-41	067043	B7-45	067713	B2-12	068682	B2-28	069369	B10-57	069443	B10-23
066535	B7-41	067044	B7-45	067726	B5-46	068685	B2-42	069370	B10-57	069444	B10-23
066537	B7-41	067045	B7-45	067774	B3-134	068686	B2-28	069371	B10-57	069445	B10-23
066538	B7-41	067046	B7-45	067777	B2-14	068687	B1-60	069372	B10-57	069446	B10-23
066539	B7-41	067047	B7-45	067783	B5-10	068726	B2-10	069373	B10-57	069447	B10-23
066540	B7-41	067048	B7-45	067830	B3-134	068727	B2-10	069374	B10-57	069448	B10-23
066541	B7-41	067049	B7-45	067839	B1-20	068743	B4-14	069375	B10-57	069449	B10-23
066542	B7-41	067050	B7-45	067865	B2-12	068747	B4-30	069376	B10-57	069450	B10-23
066543	B7-41	067051	B7-45	067902	B3-120	068756	B5-44	069377	B10-57	069451	B10-23
066544	B7-41	067052	B7-45	067903	B5-44	068758	B5-34	069378	B10-57	069452	B10-23
066559	B7-41	067053	B7-45	067910	B2-12	068763	B4-38	069379	B10-57	069453	B10-23
066560	B7-41	067054	B7-45	067919	B1-18	068777	B5-10	069380	B10-57	069454	B10-23
066561	B7-41	067055	B7-45	067926	B4-28	068784	B4-34	069381	B10-57	069455	B10-23
066562	B7-41	067056	B7-45	067958	B5-24	068790	B4-44	069382	B10-59	069456	B10-21
066563	B7-41	067057	B7-45	067996	B1-18	068803	B4-40	069383	B10-59	069457	B10-21
066564	B7-41	067060	B7-45	067997	B5-24	068849	B4-80	069384	B10-59	069458	B10-21
066566	B7-41	067061	B7-45	068061	B5-14	068855	B4-40	069385	B10-59	069459	B10-21
066567	B7-41	067072	B7-45	068066	B3-134	068861	B2-34	069386	B10-59	069460	B10-21
066569	B7-41	067073	B7-45	068071	B2-24, B4-18	068864	B4-24	069387	B10-59	069461	B10-21
066570	B7-41	067075	B7-45	068092	B4-56	068865	B2-28	069388	B10-59	069462	B10-21
066571	B7-41	067078	B7-45	068118	B4-28	068866	B4-32	069389	B10-59	069463	B10-21
066572	B7-41	067100	B7-45	068185	B3-133	068867	B4-34	069390	B10-59	069464	B10-21
066573	B7-41	067103	B7-45	068195	B4-14	068871	B2-26	069391	B10-59	069465	B10-21
066574	B7-41	067120	B7-45	068196	B4-14	068872	B2-20	069392	B10-59	069466	B10-21
066575	B7-41	067123	B7-45	068197	B4-14	068878	B2-42	069393	B10-59	069467	B10-21
066576	B7-41	067135	B7-45	068198	B4-14	068889	B3-126	069394	B10-59	069468	B10-21
066577	B7-41	067138	B7-45	068199	B4-14	068901	B4-36	069395	B10-59	069469	B10-21
066578	B7-41	067149	B7-46	068200	B4-14	069034	B7-16	069400	B10-21	069470	B10-23
066580	B7-41	067151	B7-46	068201	B4-14	069039	B7-16	069402	B10-21	069471	B10-23
066581	B7-41	067152	B7-46	068202	B4-16	069045	B7-16	069403	B10-21	069472	B10-23
066582	B7-41	067153	B7-46	068203	B4-16	069046	B7-16	069404	B10-21	069473	B10-23
066583	B7-41	067154	B7-46	068204	B4-16	069060	B7-16	069405	B10-21	069474	B10-23

# PART NUMBER INDEX



Take-Up Frames

Engineering

Index

Part No.	Page	Part No.	Page	Part No.	Page	Part No.	Page	Part No.	Page	Part No.	Page
069475	B10-23	069566	B10-29	069652	B10-37	069721	B10-41	069790	B10-41	069839	B10-49
069476	B10-23	069567	B10-31	069653	B10-37	069722	B10-41	069791	B10-43	069840	B10-49,
069477	B10-23	069568	B10-31	069654	B10-37	069723	B10-41	069792	B10-43		B10-53
069478	B10-23	069569	B10-31	069655	B10-37	069724	B10-41	069793	B10-43	069841	B10-49,
069479	B10-23	069570	B10-31	069656	B10-37	069725	B10-41	069794	B10-43		B10-53
069480	B10-23	069571	B10-31	069657	B10-37	069726	B10-41	069795	B10-43	069842	B10-49
069481	B10-23	069572	B10-31	069658	B10-37	069727	B10-41	069796	B10-43	069843	B10-49,
069482	B10-23	069573	B10-31	069659	B10-37	069728	B10-41	069797	B10-43		B10-53
069483	B10-23	069574	B10-29	069660	B10-37	069729	B10-41	069798	B10-43	069844	B10-49,
069498	B10-23	069575	B10-29	069661	B10-37	069730	B10-41	069799	B10-43		B10-53
069499	B10-23	069576	B10-29	069662	B10-37	069731	B10-41	069800	B10-43	069845	B10-49
069500	B10-23	069577	B10-29	069663	B10-39	069732	B10-41	069801	B10-43	069846	B10-49,
069501	B10-23	069578	B10-29	069664	B10-39	069733	B10-41	069802	B10-43		B10-53
069502	B10-23	069579	B10-29	069665	B10-39	069734	B10-41	069803	B10-43	069847	B10-49,
069503	B10-23	069580	B10-29	069666	B10-39	069735	B10-43	069804	B10-43		B10-53
069504	B10-23	069581	B10-29	069667	B10-39	069736	B10-43	069805	B10-49	069848	B10-49,
069505	B10-23	069582	B10-29	069668	B10-39	069737	B10-43	069806	B10-49		B10-53
069506	B10-23	069583	B10-29	069669	B10-39	069738	B10-43	069807	B10-49	069849	B10-49,
069507	B10-23	069584	B10-29	069670	B10-39	069739	B10-43	069808	B10-49,		B10-53
069508	B10-23	069585	B10-31	069671	B10-39	069740	B10-43		B10-53	069850	B10-49
069509	B10-23	069586	B10-31	069672	B10-37	069741	B10-43	069809	B10-49,	069851	B10-49
069510	B10-23	069587	B10-31	069673	B10-37	069742	B10-43		B10-53	069852	B10-49,
069511	B10-23	069588	B10-31	069674	B10-37	069743	B10-43	069810	B10-49		B10-53
069520	B10-29	069589	B10-31	069675	B10-37	069744	B10-43	069811	B10-49,	069853	B10-49,
069521	B10-29	069590	B10-31	069676	B10-37	069745	B10-43		B10-53		B10-53
069522	B10-29	069591	B10-31	069677	B10-37	069746	B10-43	069812	B10-49,	069854	B10-51,
069523	B10-29	069592	B10-37	069678	B10-37	069747	B10-43		B10-53		B10-55
069524	B10-29	069593	B10-37	069679	B10-37	069748	B10-43	069813	B10-49	069855	B10-51,
069525	B10-29	069594	B10-37	069680	B10-37	069749	B10-41	069814	B10-49,		B10-55
069526	B10-29	069595	B10-37	069681	B10-37	069750	B10-41		B10-53	069856	B10-51,
069527	B10-29	069596	B10-37	069682	B10-37	069751	B10-41	069815	B10-49,		B10-55
069528	B10-29	069597	B10-37	069683	B10-37	069752	B10-41		B10-53	069857	B10-51,
069529	B10-29	069598	B10-37	069684	B10-39	069753	B10-41	069816	B10-49,		B10-55
069530	B10-29	069599	B10-37	069685	B10-39	069754	B10-41		B10-53	069858	B10-51,
069531	B10-31	069600	B10-37	069686	B10-39	069755	B10-41	069817	B10-49,		B10-55
069532	B10-31	069601	B10-37	069687	B10-39	069756	B10-41		B10-53	069859	B10-51,
069533	B10-31	069602	B10-37	069688	B10-39	069757	B10-41	069818	B10-49		B10-55
069534	B10-31	069603	B10-37	069689	B10-39	069758	B10-41	069819	B10-49	069860	B10-51,
069535	B10-31	069604	B10-39	069690	B10-39	069759	B10-41	069820	B10-49,		B10-55
069536	B10-31	069605	B10-39	069691	B10-39	069760	B10-41		B10-53	069861	B10-51,
069537	B10-31	069606	B10-39	069692	B10-39	069761	B10-41	069821	B10-49,		B10-55
069538	B10-29	069607	B10-39	069693	B10-41	069762	B10-41		B10-53	069862	B10-51
069539	B10-29	069608	B10-39	069694	B10-41	069763	B10-43	069822	B10-51,	069863	B10-51,
069540	B10-29	069609	B10-39	069695	B10-41	069764	B10-43		B10-55		B10-55
069541	B10-29	069610	B10-39	069696	B10-41	069765	B10-43	069823	B10-51,	069864	B10-51,
069542	B10-29	069611	B10-39	069697	B10-41	069766	B10-43		B10-55		B10-55
069543	B10-29	069612	B10-39	069698	B10-41	069767	B10-43	069824	B10-51,	069865	B10-51
069544	B10-29	069630	B10-37	069699	B10-41	069768	B10-43		B10-55	069866	B10-51
069545	B10-29	069631	B10-37	069700	B10-41	069769	B10-43	069825	B10-51,	069867	B10-51
069546	B10-29	069632	B10-37	069701	B10-41	069770	B10-43		B10-55	069868	B10-51
069547	B10-29	069633	B10-37	069702	B10-41	069771	B10-43	069826	B10-51,	069869	B10-49
069548	B10-29	069634	B10-37	069703	B10-41	069772	B10-43		B10-55	069870	B10-49
069549	B10-31	069635	B10-37	069704	B10-41	069773	B10-43	069827	B10-51,	069871	B10-49
069550	B10-31	069636	B10-37	069705	B10-41	069774	B10-43		B10-55	069872	B10-49,
069551	B10-31	069637	B10-37	069706	B10-41	069775	B10-43	069828	B10-51,		B10-53
069552	B10-31	069638	B10-37	069707	B10-43	069776	B10-43		B10-55	069873	B10-49,
069553	B10-31	069639	B10-37	069708	B10-43	069777	B10-41	069829	B10-51,		B10-53
069554	B10-31	069640	B10-37	069709	B10-43	069778	B10-41		B10-55	069874	B10-49
069555	B10-31	069641	B10-37	069710	B10-43	069779	B10-41	069830	B10-51	069875	B10-49,
069556	B10-29	069642	B10-39	069711	B10-43	069780	B10-41	069831	B10-51,		B10-53
069557	B10-29	069643	B10-39	069712	B10-43	069781	B10-41		B10-55	069876	B10-49,
069558	B10-29	069644	B10-39	069713	B10-43	069782	B10-41	069832	B10-51,		B10-53
069559	B10-29	069645	B10-39	069714	B10-43	069783	B10-41		B10-55	069877	B10-49
069560	B10-29	069646	B10-39	069715	B10-43	069784	B10-41	069833	B10-51	069878	B10-49,
069561	B10-29	069647	B10-39	069716	B10-43	069785	B10-41		B10-51		B10-53
069562	B10-29	069648	B10-39	069717	B10-43	069786	B10-41	069835	B10-51	069879	B10-49,
069563	B10-29	069649	B10-39	069718	B10-43	069787	B10-41		B10-51		B10-53
069564	B10-29	069650	B10-39	069719	B10-43	069788	B10-41	069837	B10-49	069880	B10-49,
069565	B10-29	069651	B10-37	069720	B10-43	069789	B10-41	069838	B10-49		B10-53

# PART NUMBER INDEX



Part No.	Page	Part No.	Page	Part No.	Page	Part No.	Page	Part No.	Page	Part No.	Page
069881	B10-49, B10-53	069922	B10-51, B10-55	070019	B8-43	070290	B8-19	070403	B8-23	070545	B8-29
069882	B10-49	069923	B10-51, B10-55	070020	B8-43	070295	B8-19	070404	B8-23	070546	B8-29
069883	B10-49			070021	B8-43	070296	B8-19	070405	B8-23	070547	B8-29
069884	B10-49, B10-53	069924	B10-51, B10-55	070022	B8-43	070297	B8-19	070407	B8-23	070548	B8-29
069885	B10-49, B10-53			070023	B8-43	070299	B8-19	070409	B8-23	070549	B8-29
069886	B10-51, B10-55	069925	B10-51, B10-55	070024	B8-43	070300	B8-19	070411	B8-23	070551	B8-29
069887	B10-51, B10-55	069926	B10-51, B10-55	070025	B8-43	070301	B8-19	070413	B8-23	070553	B8-29
069888	B10-51, B10-55	069927	B10-51, B10-55	070026	B8-43	070302	B8-19	070415	B8-23	070554	B8-29
069889	B10-51, B10-55	069928	B10-51, B10-55	070027	B8-43	070303	B8-19	070416	B8-23	070555	B8-29
069890	B10-51, B10-55	069929	B10-51	070028	B8-43	070305	B8-19	070417	B8-23	070557	B8-29
069891	B10-51, B10-55	069930	B10-51	070029	B8-43	070307	B8-19	070419	B8-23	070559	B8-29
069892	B10-51, B10-55	069931	B10-51	070030	B8-43	070308	B8-19	070421	B8-23	070564	B8-29
069893	B10-51, B10-55	069932	B10-51	070031	B8-43	070309	B8-19	070422	B8-23	070565	B8-29
069894	B10-51	069933	B10-51	070032	B8-43	070311	B8-19	070423	B8-23	070566	B8-29
069895	B10-51, B10-55	069934	B10-51	070033	B8-43	070313	B8-19	070425	B8-23	070568	B8-29
069896	B10-51, B10-55	069935	B10-51	070034	B8-43	070318	B8-19	070427	B8-23	070569	B8-29
069897	B10-51	069936	B10-51	070035	B8-43	070319	B8-19	070429	B8-23	070570	B8-29
069898	B10-51	069937	B8-45, B12-16,	070036	B8-43	070320	B8-19	070431	B8-23	070571	B8-29
069899	B10-51	069938	B8-45, B12-16,	070037	B8-43	070322	B8-19	070436	B8-27	070572	B8-29
069900	B10-51	069939	B10-51	070038	B8-43	070323	B8-19	070437	B8-27	070574	B8-29
069901	B10-49	069940	B10-51	070039	B8-43	070324	B8-19	070438	B8-27	070576	B8-29
069902	B10-49	069941	B10-51	070040	B8-43	070325	B8-19	070440	B8-27	070577	B8-29
069903	B10-49	069942	B10-51	070041	B8-43	070326	B8-19	070441	B8-27	070578	B8-29
069904	B10-49, B10-53	069943	B10-51	070042	B8-43	070328	B8-19	070442	B8-27	070580	B8-29
069905	B10-49, B10-53	069944	B10-51	070043	B8-43	070330	B8-19	070443	B8-27	070582	B8-29
069906	B10-49	069945	B10-51	070044	B8-43	070331	B8-19	070444	B8-27	070600	B8-29
069907	B10-49, B10-53	069946	B10-51	070045	B8-43	070332	B8-19	070446	B8-27	070601	B8-29
069908	B10-49, B10-53	069947	B10-51	070046	B8-43	070334	B8-19	070448	B8-27	070602	B8-29
069909	B10-49	069948	B10-51	070047	B8-43	070336	B8-19	070449	B8-27	070604	B8-29
069910	B10-49, B10-53	069949	B10-51	070048	B8-43	070341	B8-19	070450	B8-27	070605	B8-29
069911	B10-49, B10-53	069950	B10-51	070049	B8-43	070342	B8-19	070470	B8-27	070606	B8-29
069912	B10-49, B10-53	069951	B10-51	070050	B8-43	070343	B8-19	070471	B8-27	070607	B8-29
069913	B10-49, B10-53	069952	B10-51	070051	B8-43	070344	B8-19	070472	B8-27	070608	B8-29
069914	B10-49	069953	B10-51	070052	B8-43	070346	B8-19	070474	B8-27	070610	B8-29
069915	B10-49	069954	B10-51	070053	B8-43	070347	B8-19	070475	B8-27	070612	B8-29
069916	B10-49, B10-53	069955	B10-51	070054	B8-43	070348	B8-19	070476	B8-27	070613	B8-29
069917	B10-49, B10-53	069956	B10-51	070055	B8-43	070349	B8-19	070477	B8-27	070614	B8-29
069918	B10-51, B10-55	069957	B10-51	070056	B8-43	070351	B8-19	070478	B8-27	070616	B8-29
069919	B10-51, B10-55	069958	B10-51	070057	B8-43	070353	B8-19	070480	B8-27	070618	B8-29
069920	B10-51, B10-55	069959	B10-51	070058	B8-43	070354	B8-19	070482	B8-27	070644	B8-33, B8-35
069921	B10-51, B10-55	069960	B10-51	070059	B8-43	070355	B8-19	070483	B8-27	070645	B8-33, B8-35
		069961	B10-51	070060	B8-43	070357	B8-19	070484	B8-27	070646	B8-33
		069962	B10-51	070061	B8-43	070359	B8-19	070491	B8-27	070648	B8-33, B8-35
		069963	B10-51	070062	B8-43	070361	B8-23	070492	B8-27	070649	B8-33
		069964	B10-51	070063	B8-43	070362	B8-23	070493	B8-27	070650	B8-33, B8-35
		069965	B10-51	070064	B8-43	070363	B8-23	070495	B8-27	070651	B8-33, B8-35
		069966	B10-51	070065	B8-43	070365	B8-23	070496	B8-27	070652	B8-33, B8-35
		069967	B10-51	070066	B8-43	070367	B8-23	070497	B8-27	070654	B8-33, B8-35
		069968	B10-51	070067	B8-43	070368	B8-23	070498	B8-27	070656	B8-33, B8-35
		069969	B10-51	070068	B8-43	070369	B8-23	070499	B8-27	070657	B8-33, B8-35
		069970	B10-51	070069	B8-43	070371	B8-23	070501	B8-27	070658	B8-33, B8-35
		069971	B10-51	070070	B8-43	070373	B8-23	070503	B8-27	070660	B8-33, B8-35
		069972	B10-51	070071	B8-43	070375	B8-23	070504	B8-27	070662	B8-33, B8-35
		069973	B10-51	070072	B8-43	070377	B8-23	070505	B8-27	070664	B8-33
		069974	B10-51	070073	B8-43	070379	B8-23	070523	B8-27	070666	B8-33
		069975	B10-51	070074	B8-43	070380	B8-23	070524	B8-27	070671	B8-33, B8-35
		069976	B10-51	070075	B8-43	070381	B8-23	070525	B8-27	070672	B8-33, B8-35
		069977	B10-51	070076	B8-43	070383	B8-23	070527	B8-27	070673	B8-33
		069978	B10-51	070077	B8-43	070385	B8-23	070528	B8-27	070675	B8-33, B8-35
		069979	B10-51	070078	B8-43	070386	B8-23	070529	B8-27	070676	B8-33, B8-35
		069980	B10-51	070079	B8-43	070387	B8-23	070530	B8-27	070677	B8-33, B8-35
		069981	B10-51	070080	B8-43	070389	B8-23	070531	B8-27	070678	B8-33, B8-35
		069982	B10-51	070081	B8-43	070391	B8-23	070533	B8-27	070679	B8-33, B8-35
		069983	B10-51	070082	B8-43	070393	B8-23	070535	B8-27	070681	B8-33, B8-35
		069984	B10-51	070083	B8-43	070395	B8-23	070536	B8-27	070683	B8-33, B8-35
		069985	B10-51	070084	B8-43	070397	B8-23	070537	B8-27	070684	B8-33, B8-35
		069986	B10-51	070085	B8-43	070398	B8-23	070538	B8-27	070685	B8-33, B8-35
		069987	B10-51	070086	B8-43	070399	B8-23	070541	B8-29	070687	B8-33, B8-35
		069988	B10-51	070087	B8-43	070401	B8-23	070542	B8-29	070688	B8-33, B8-35
		069989	B10-51	070088	B8-43			070543	B8-29	070689	B8-33, B8-35

# PART NUMBER INDEX



Take-Up Frames

Engineering

Index

Part No.	Page	Part No.	Page	Part No.	Page	Part No.	Page	Part No.	Page	Part No.	Page
070691	B8-33	070815	B8-41	070912	B10-69	071008	B10-35, B12-15	071043	B10-35, B12-15	071139	B10-27
070693	B8-33	070817	B8-41	070913	B10-69					071140	B10-27
070698	B8-33, B8-35	070818	B8-41	070914	B10-69	071009	B10-35, B12-15	071044	B10-35, B12-15	071141	B10-25
070699	B8-33, B8-35	070819	B8-41	070915	B10-69					071142	B10-25
070700	B8-33	070821	B8-41	070916	B10-69	071010	B10-35, B12-15	071045	B10-35, B12-15	071143	B10-25
070702	B8-33, B8-35	070823	B8-41	070917	B10-69					071144	B10-25
070703	B8-33	070825	B8-41	070918	B10-69	071012	B10-35, B12-15	071046	B10-35, B12-15	071145	B10-25
070704	B8-33, B8-35	070827	B8-41	070919	B10-69					071146	B10-25
070705	B8-33, B8-35	070829	B8-41	070920	B10-69	071013	B10-35, B12-15	071047	B10-35, B12-15	071147	B10-25
070706	B8-33, B8-35	070830	B8-41	070921	B10-69					071148	B10-25
070708	B8-33, B8-35	070831	B8-41	070922	B10-69	071014	B10-35, B12-15	071048	B10-35, B12-15	071149	B10-25
070710	B8-33, B8-35	070833	B8-41	070923	B10-69					071150	B10-25
070711	B8-33, B8-35	070835	B8-41	070924	B10-69	071015	B10-35, B12-15	071049	B10-35, B12-15	071151	B10-27
070712	B8-33, B8-35	070836	B8-41	070925	B10-69					071152	B10-27
070714	B8-33, B8-35	070837	B8-41	070926	B10-71	071016	B10-35, B12-15	071050	B10-35, B12-15	071153	B10-27
070716	B8-33, B8-35	070839	B8-41	070927	B10-66, B10-71					071154	B10-27
070718	B8-33	070841	B8-41			071017	B10-35, B12-15	071051	B10-35, B12-15	071155	B10-27
070720	B8-33	070843	B8-41	070928	B10-71					071156	B10-27
070725	B8-33, B8-35	070845	B8-41	070929	B10-71	071018	B10-35, B12-15	071052	B10-35, B12-15	071157	B10-27
070726	B8-33, B8-35	070853	B8-29	070930	B10-71					071158	B10-27
070727	B8-33	070854	B8-29	070931	B10-66, B10-71	071019	B10-35, B12-15	071053	B10-35, B12-15	071159	B10-27
070729	B8-33, B8-35	070855	B8-29							071160	B10-27
070730	B8-33	070857	B8-29	070932	B10-71	071020	B10-35, B12-15	071054	B10-35, B12-15	071161	B10-27
070731	B8-33, B8-35	070858	B8-29	070933	B10-71					071162	B10-25
070732	B8-33, B8-35	070859	B8-29	070934	B10-71	071021	B10-35, B12-15	071055	B10-35, B12-15	071163	B10-25
070733	B8-33, B8-35	070860	B8-29	070935	B10-66, B10-71					071164	B10-25
070735	B8-33, B8-35	070861	B8-29			071022	B10-35, B12-15	071056	B10-35, B12-15	071165	B10-25
070737	B8-33, B8-35	070863	B8-29	070936	B10-71					071166	B10-25
070738	B8-33, B8-35	070865	B8-29	070937	B10-71	071023	B10-35, B12-15	071057	B10-35, B12-15	071167	B10-25
070739	B8-33, B8-35	070866	B8-29	070938	B10-66, B10-71					071168	B10-25
070741	B8-33, B8-35	070867	B8-29			071024	B10-35, B12-15	071058	B10-35, B12-15	071169	B10-25
070743	B8-33, B8-35	070869	B8-29	070939	B10-71					071170	B10-25
070745	B8-33	070871	B8-29	070940	B10-71	071025	B10-35, B12-15	071059	B10-35, B12-15	071171	B10-25
070747	B8-33	070880	B10-69	070941	B10-71					071172	B10-27
070752	B8-37	070881	B10-69	070942	B10-71	071026	B10-35, B12-15	071060	B10-35, B12-15	071173	B10-27
070753	B8-37	070882	B10-69	070943	B10-71					071174	B10-27
070754	B8-37	070883	B10-69	070951	B10-61	071027	B10-35, B12-15	071061	B10-35, B12-15	071175	B10-27
070756	B8-37	070884	B10-69	070952	B10-61					071176	B10-27
070757	B8-37	070885	B10-69	070953	B10-61	071028	B10-35, B12-15	071062	B10-35, B12-15	071177	B10-27
070758	B8-37	070886	B10-69	070954	B10-61					071178	B10-27
070759	B8-37	070887	B10-69	070955	B10-61	071029	B10-35, B12-15	071063	B10-35, B12-15	071179	B10-27
070760	B8-37	070888	B10-69	070956	B10-61					071180	B10-27
070762	B8-39	070889	B10-69	070957	B10-61	071030	B10-35, B12-15	071064	B10-35, B12-15	071181	B10-27
070764	B8-39	070890	B10-69	070958	B10-61					071182	B10-27
070765	B8-39	070891	B10-69	070959	B10-61	071031	B10-35, B12-15	071065	B10-35, B12-15	071183	B10-25
070766	B8-39	070892	B10-69	070960	B10-61					071184	B10-25
070768	B8-39	070893	B10-69	070961	B10-61	071032	B10-35, B12-15	071066	B10-35, B12-15	071185	B10-25
070770	B8-39	070894	B10-71	070962	B10-61					071186	B10-25
070772	B8-39	070895	B10-66, B10-71	070963	B10-61	071033	B10-35, B12-15	071067	B10-35, B12-15	071187	B10-25
070774	B8-39			070964	B10-61					071188	B10-25
070779	B8-37	070896	B10-71	070965	B10-61	071034	B10-35, B12-15	071120	B10-25	071189	B10-25
070780	B8-37	070897	B10-71	070966	B10-61					071190	B10-25
070781	B8-37	070898	B10-71	071000	B10-35, B12-15	071035	B10-35, B12-15	071121	B10-25	071191	B10-25
070783	B8-37	070899	B10-66, B10-71							071192	B10-25
070784	B8-37			071001	B10-35, B12-15	071036	B10-35, B12-15	071122	B10-25	071193	B10-27
070785	B8-37	070900	B10-71							071123	B10-25
070786	B8-37	070901	B10-71	071002	B10-35, B12-15	071037	B10-35, B12-15	071124	B10-25	071124	B10-25
070787	B8-37	070902	B10-71							071125	B10-25
070789	B8-39	070903	B10-66, B10-71	071003	B10-35, B12-15	071038	B10-35, B12-15	071126	B10-25	071126	B10-25
070791	B8-39									071127	B10-25
070792	B8-39	070904	B10-71	071004	B10-35, B12-15	071039	B10-35, B12-15	071128	B10-25	071128	B10-25
070793	B8-39	070905	B10-71							071129	B10-25
070795	B8-39	070906	B10-66, B10-71	071005	B10-35, B12-15	071040	B10-35, B12-15	071130	B10-27	071130	B10-27
070797	B8-39									071131	B10-27
070799	B8-39	070907	B10-71	071006	B10-35, B12-15	071041	B10-35, B12-15	071132	B10-27	071132	B10-27
070801	B8-39	070908	B10-71							071133	B10-27
070811	B8-41	070909	B10-71	071007	B10-35, B12-15	071042	B10-35, B12-15	071134	B10-27	071134	B10-27
070812	B8-41	070910	B10-71							071135	B10-27
070813	B8-41	070911	B10-71							071136	B10-27
										071137	B10-27
										071138	B10-27

# PART NUMBER INDEX



Part No.	Page	Part No.	Page	Part No.	Page	Part No.	Page	Part No.	Page	Part No.	Page
071208	B10-33	071277	B10-55	071346	B10-45	071416	B8-21	071500	B8-31	071632	B10-33
071209	B10-33	071278	B10-55	071347	B10-45	071417	B8-21	071501	B8-31	071633	B10-33
071210	B10-33	071279	B10-55	071348	B10-47	071418	B8-21	071502	B8-31	071634	B10-33
071211	B10-33	071280	B10-55	071349	B10-47	071419	B8-21	071503	B8-31	071635	B10-33
071212	B10-33	071281	B10-55	071350	B10-47	071420	B8-21	071504	B8-31	071636	B10-33
071213	B10-33	071282	B10-55	071351	B10-47	071421	B8-21	071505	B8-31	071637	B10-33
071214	B10-33	071283	B10-55	071352	B10-47	071433	B8-25	071506	B8-31	071638	B10-33
071215	B10-33	071284	B10-55	071353	B10-47	071434	B8-25	071507	B8-31	071639	B10-33
071216	B10-33	071285	B10-55	071354	B10-47	071435	B8-25	071508	B8-31	071640	B10-33
071217	B10-33	071286	B10-55	071355	B10-47	071436	B8-25	071509	B8-31	071641	B10-33
071218	B10-33	071287	B10-55	071356	B10-47	071437	B8-25	071510	B8-31	079023	B15-42
071219	B10-33	071288	B10-45	071357	B10-47	071438	B8-25	071511	B8-31	079026	B15-42
071220	B10-33	071289	B10-45	071358	B10-47	071439	B8-25	071512	B8-31	079029	B15-42
071221	B10-33	071290	B10-45	071359	B10-47	071440	B8-25	071513	B8-31	079032	B15-42
071222	B10-33	071291	B10-45	071360	B10-47	071441	B8-25	071514	B8-31	079035	B15-42
071223	B10-33	071292	B10-45	071361	B10-47	071442	B8-25	071515	B8-31	079038	B15-42
071224	B10-33	071293	B10-45	071362	B10-47	071443	B8-25	071516	B8-31	079041	B15-42
071225	B10-33	071294	B10-45	071364	B10-45	071444	B8-25	071517	B8-31	079044	B15-42
071226	B10-33	071295	B10-45	071365	B10-45	071445	B8-25	071518	B8-31	079080	B15-42
071227	B10-33	071296	B10-45	071366	B10-45	071446	B8-25	071519	B8-31	079081	B15-42
071228	B10-33	071297	B10-45	071367	B10-45	071447	B8-25	071520	B8-31	079082	B15-42
071229	B10-33	071298	B10-47	071368	B10-45	071448	B8-25	071521	B8-35	079083	B15-42
071230	B10-33	071299	B10-47	071369	B10-45	071449	B8-25	071522	B8-35	079084	B15-42
071231	B10-33	071300	B10-47	071370	B10-45	071450	B8-25	071523	B8-35	079086	B15-42
071232	B10-33	071301	B10-47	071371	B10-45	071451	B8-25	071524	B8-35	079087	B15-42
071233	B10-33	071302	B10-47	071372	B10-45	071452	B8-25	071525	B8-35	079088	B15-42
071234	B10-33	071303	B10-47	071373	B10-45	071453	B8-25	071526	B8-35	079089	B15-42
071235	B10-33	071304	B10-47	071374	B10-47	071454	B8-25	071527	B8-35	079090	B15-42
071236	B10-33	071305	B10-47	071375	B10-47	071455	B8-25	071528	B8-35	087172	B7-11
071237	B10-33	071306	B10-47	071376	B10-47	071456	B8-25	071576	B10-53	087178	B7-11
071238	B10-33	071307	B10-47	071377	B10-47	071457	B8-25	071577	B10-53	087180	B7-11
071239	B10-33	071308	B10-47	071378	B10-47	071458	B8-25	071578	B10-53	087181	B7-11
071240	B10-33	071309	B10-47	071379	B10-47	071459	B8-25	071579	B10-53	087182	B7-11
071241	B10-33	071310	B10-47	071380	B10-47	071460	B8-25	071580	B10-53	087183	B7-11
071242	B10-33	071311	B10-47	071381	B10-47	071461	B8-25	071581	B10-53	087184	B7-11
071243	B10-33	071312	B10-47	071382	B10-47	071462	B8-25	071582	B10-53	087185	B7-11
071244	B10-33	071313	B10-45	071383	B10-47	071463	B8-25	071583	B10-53	087186	B7-11
071245	B10-33	071314	B10-45	071384	B10-47	071464	B8-25	071584	B10-53	087187	B7-11
071246	B10-33	071315	B10-45	071385	B10-47	071469	B8-31	071585	B10-53	087188	B7-13
071247	B10-33	071316	B10-45	071386	B10-47	071470	B8-31	071586	B10-53	087189	B7-13
071248	B10-33	071317	B10-45	071387	B10-47	071471	B8-31	071587	B10-53	087190	B7-13
071249	B10-33	071318	B10-45	071388	B10-47	071472	B8-31	071590	B10-69	087191	B7-13
071250	B10-33	071319	B10-45	071389	B8-21	071473	B8-31	071591	B10-69	087192	B7-13
071251	B10-33	071320	B10-45	071390	B8-21	071474	B8-31	071592	B10-71	087193	B7-13
071252	B10-33	071321	B10-45	071391	B8-21	071475	B8-31	071593	B10-69	087194	B7-16
071253	B10-33	071322	B10-45	071392	B8-21	071476	B8-31	071594	B10-69	087195	B7-16
071254	B10-33	071323	B10-47	071393	B8-21	071477	B8-31	071595	B10-71	087196	B7-16
071255	B10-33	071324	B10-47	071394	B8-21	071478	B8-31	071610	B10-33	087197	B7-16
071256	B10-33	071325	B10-47	071395	B8-21	071479	B8-31	071611	B10-33	087198	B7-16
071257	B10-33	071326	B10-47	071396	B8-21	071480	B8-31	071612	B10-33	087199	B7-16
071258	B10-33	071327	B10-47	071397	B8-21	071481	B8-31	071613	B10-33	087200	B7-16
071259	B10-33	071328	B10-47	071398	B8-21	071482	B8-31	071614	B10-33	087205	B7-16
071260	B10-33	071329	B10-47	071399	B8-21	071483	B8-31	071615	B10-33	087207	B7-16
071261	B10-33	071330	B10-47	071400	B8-21	071484	B8-31	071616	B10-33	087209	B7-16
071262	B10-33	071331	B10-47	071401	B8-21	071485	B8-31	071617	B10-33	087210	B7-16
071263	B10-33	071332	B10-47	071402	B8-21	071486	B8-31	071618	B10-33	087211	B7-16
071264	B10-33	071333	B10-47	071403	B8-21	071487	B8-31	071619	B10-33	087212	B7-16
071265	B10-33	071334	B10-47	071404	B8-21	071488	B8-31	071620	B10-33	087215	B7-16
071266	B10-33	071335	B10-47	071405	B8-21	071489	B8-31	071621	B10-33	087218	B7-16
071267	B10-33	071336	B10-47	071406	B8-21	071490	B8-31	071622	B10-33	087220	B7-16
071268	B10-33	071337	B10-47	071407	B8-21	071491	B8-31	071623	B10-33	087221	B7-16
071269	B10-33	071338	B10-45	071408	B8-21	071492	B8-31	071624	B10-33	087222	B7-16
071270	B10-33	071339	B10-45	071409	B8-21	071493	B8-31	071625	B10-33	087224	B7-16
071271	B10-33	071340	B10-45	071410	B8-21	071494	B8-31	071626	B10-33	087225	B7-16
071272	B10-55	071341	B10-45	071411	B8-21	071495	B8-31	071627	B10-33	087262	B7-11
071273	B10-55	071342	B10-45	071412	B8-21	071496	B8-31	071628	B10-33	087263	B7-11
071274	B10-55	071343	B10-45	071413	B8-21	071497	B8-31	071629	B10-33	087264	B7-11
071275	B10-55	071344	B10-45	071414	B8-21	071498	B8-31	071630	B10-33	087265	B7-11
071276	B10-55	071345	B10-45	071415	B8-21	071499	B8-31	071631	B10-33	087266	B7-11

# PART NUMBER INDEX



Take-Up Frames

Engineering

Index

Part No.	Page	Part No.	Page	Part No.	Page	Part No.	Page	Part No.	Page	Part No.	Page
087267	B7-11	104037	B7-38	125005	B1-82	125728	B4-52	126633	B1-84, B5-60	127524	B1-42
087268	B7-11	104038	B7-38	125529	B4-34	125730	B4-34	126634	B1-84, B5-60	127525	B1-42
087269	B7-11	104039	B7-38	125625	B4-76	125731	B4-34	126635	B1-84, B5-60	127526	B1-42
089020	B15-31	104040	B7-14	125626	B4-76	125732	B4-34	126636	B5-60	127527	B1-42
089021	B15-31	104041	B7-14	125627	B4-76	125733	B4-34	126637	B5-60	127528	B1-42
089022	B15-31	104042	B7-14	125628	B4-76	125734	B4-34	126638	B5-60	127529	B1-42
089023	B15-31	104043	B7-14	125629	B4-76	125735	B4-34	126639	B5-14, B5-16	127530	B1-42
089024	B15-31	104044	B7-14	125630	B4-78	125736	B4-34	126640	B5-16	127531	B1-42
089025	B15-31	104045	B7-14	125631	B4-78	125737	B4-34	126641	B5-26	127532	B1-42
089026	B15-31	104046	B7-14	125632	B4-78	125873	B1-82	126642	B5-38	127533	B1-54
089027	B15-32	104050	B7-14	125633	B4-78	125874	B1-82	126643	B5-38	127534	B1-54
089028	B15-31	104051	B7-14	125634	B4-78	126121	B2-68	126644	B5-64	127535	B1-54
089029	B15-31	104052	B7-14	125635	B4-78	126415	B4-18	126645	B5-64	127536	B1-54
089030	B15-31	104053	B7-14	125644	B4-82	126416	B4-18	126646	B5-24	127537	B1-54
089031	B15-31	104054	B7-14	125645	B4-82	126417	B4-18	126647	B5-24	127538	B1-54
089032	B15-31	104055	B7-14	125646	B4-82	126418	B4-18	126648	B5-24	127539	B1-76
089033	B15-31	104056	B7-14	125647	B4-82	126419	B4-18	126649	B5-24	127540	B1-76
089034	B15-31	104078	B7-14	125648	B4-82	126450	B5-14	126650	B5-24	127541	B1-76
089035	B15-31	104090	B7-14	125649	B4-82	126451	B5-14	126651	B5-24	127542	B1-76
089036	B15-31	104106	B7-14	125650	B4-82	126452	B5-14	126652	B5-24	127543	B1-76
089037	B15-31	104119	B7-14	125651	B4-82	126453	B5-14	126653	B5-40	127544	B1-76
089038	B15-31	104160	B7-38	125652	B4-82	126454	B5-14	126654	B5-40	127545	B1-18
089039	B15-31	104161	B7-38	125655	B4-10	126475	B4-80	126655	B5-40	127546	B1-18
089040	B15-31	104162	B7-38	125656	B4-10	126476	B4-80	126656	B5-40	127547	B1-18
089041	B15-31	104164	B7-38	125657	B4-10	126477	B4-80	126657	B5-40	127548	B1-18
089042	B15-31	104169	B7-38	125658	B4-10	126478	B4-80	126658	B5-40	127549	B1-18
089043	B15-31	1041710	B7-38	125659	B4-10	126479	B4-80	126659	B5-40	127550	B1-18
089044	B15-31	104172	B7-38	125660	B4-16	126480	B5-62	126660	B5-42	127551	B1-18
089045	B15-31	104173	B7-38	125661	B4-12	126481	B5-62	126661	B5-40	127552	B1-32
089046	B15-31	104176	B7-38	125662	B4-12	126482	B5-62	126685	B1-84, B5-60	127553	B1-32
089047	B15-31	104177	B7-38	125663	B4-12	126483	B5-62	126686	B1-84, B5-60	127554	B1-32
089048	B15-31	104181	B7-38	125664	B4-12	126484	B5-62	126687	B1-84, B5-60	127555	B1-32
089150	B15-31	104195	B7-38	125665	B4-12	126485	B5-62	126688	B1-84, B5-60	127556	B1-64
089151	B15-31	104196	B7-38	125666	B4-48	126486	B5-62	126689	B1-84, B5-60	127557	B1-64
089152	B15-31	104197	B7-38	125667	B4-48	126487	B5-62	126690	B1-84, B5-60	127558	B1-64
089153	B15-31	104199	B7-38	125668	B4-48	126488	B5-62	126691	B1-84, B5-60	127559	B1-64
089154	B15-31	104204	B7-38	125669	B4-48	126489	B5-62	126692	B1-84, B5-60	127560	B1-64
089155	B15-31	104205	B7-38	125670	B4-48	126601	B5-8	126693	B1-84, B5-60	127561	B1-64
089156	B15-31	104207	B7-38	125671	B4-50	126602	B5-8	126694	B1-84, B5-60	127562	B1-64
089600	B15-31	104208	B7-38	125672	B4-50	126603	B5-8	126695	B1-84, B5-60	127563	B1-42
089601	B15-31	104211	B7-38	125673	B4-50	126604	B5-8	126696	B1-84, B5-60	127564	B1-42
089602	B15-31	104212	B7-38	125674	B4-50	126605	B5-8, B5-12	126697	B1-84, B5-60	127565	B1-42
089603	B15-31	104216	B7-38	125675	B4-50	126606	B5-8	126698	B1-84, B5-60	127566	B1-42
089604	B15-31	123069	B1-82	125676	B4-50	126607	B5-8	126699	B1-84, B5-60	127567	B1-42
104003	B7-38	123070	B1-82	125677	B4-32	126608	B5-8	127073	B1-82	127568	B1-42
104006	B7-38	123071	B1-82	125678	B4-32	126609	B5-8	127500	B1-18	127569	B1-42
104010	B7-38	123072	B1-82	125679	B4-32	126610	B5-8	127501	B1-18	127570	B1-54
104013	B7-38	123073	B1-82	125680	B4-32	126611	B5-22	127502	B1-18	127574	B1-76
104016	B7-38	123074	B1-82	125681	B4-32	126612	B5-22	127503	B1-18	127575	B1-76
104017	B7-38	123075	B1-82	125682	B4-32	126613	B5-22	127504	B1-18	127576	B1-76
104018	B7-38	123076	B1-82	125683	B4-32	126614	B5-22	127505	B1-18	127577	B1-76
104019	B7-38	123077	B1-82	125684	B4-32	126615	B5-22	127506	B1-18	127578	B1-24
104020	B7-38	123234	B1-82	125711	B4-20	126616	B5-22	127507	B1-18	127579	B1-24
104021	B7-38	123409	B1-82	125712	B4-20	126617	B5-22	127508	B1-18	127580	B1-24
104022	B7-38	123413	B1-82	125713	B4-20	126618	B5-22	127509	B1-32	127581	B1-24
104023	B7-38	123460	B1-82	125714	B4-20	126619	B5-34	127510	B1-32	127582	B1-24
104024	B7-38	124474	B4-30	125715	B4-20	126620	B5-34	127511	B1-32	127583	B1-24
104025	B7-38	124590	B4-44	125716	B4-24	126621	B5-34	127512	B1-32	127584	B1-24
104026	B7-38	124591	B4-44	125717	B4-22	126622	B5-34	127513	B1-32	127585	B1-24
104027	B7-38	124634	B4-44	125718	B4-22	126623	B5-34	127514	B1-32	127586	B1-24
104028	B7-38	124676	B4-40	125719	B4-22	126624	B5-36	127515	B1-64	127587	B1-34
104029	B7-38	124677	B4-40	125720	B4-52	126625	B5-36	127516	B1-64	127588	B1-34
104030	B7-38	124678	B4-40	125721	B4-52	126626	B5-36	127517	B1-64	127589	B1-34
104031	B7-38	124697	B4-40	125722	B4-52	126627	B5-36	127518	B1-64	127590	B1-34
104032	B7-38	124748	B4-40	125723	B4-52	126628	B5-36	127519	B1-64	127591	B1-34
104033	B7-38	124749	B4-40	125724	B4-52	126629	B1-84, B5-60	127520	B1-64	127592	B1-34
104034	B7-38	124931	B1-82	125725	B4-52	126630	B1-84, B5-60	127521	B1-54, B1-64	127593	B1-68
104035	B7-38	124932	B1-82	125726	B4-52	126631	B1-84, B5-60	127522	B1-54, B1-64	127594	B1-68
104036	B7-38	125004	B1-82	125727	B4-52	126632	B1-84, B5-60	127523	B1-54, B1-64	127595	B1-68

# PART NUMBER INDEX



Part No.	Page	Part No.	Page	Part No.	Page	Part No.	Page	Part No.	Page	Part No.	Page
127596	B1-68	127679	B1-22	127748	B1-48	128208	B2-98	128489	B5-18	128731	B5-12
127597	B1-68	127680	B1-22	127749	B1-48		B3-138	128490	B5-18	128732	B5-12
127598	B1-68	127681	B1-44	127750	B1-48		B4-86, B5-68	128646	B1-84, B5-60	128733	B5-12
127599	B1-68	127682	B1-44	127751	B1-70	128209	B2-100	128647	B1-84, B5-60	128734	B5-12
127600	B1-68	127683	B1-44	127752	B1-70		B3-140	128648	B1-84, B5-60	128735	B5-12
127601	B1-68	127684	B1-44	127753	B1-70		B4-88, B5-70	128649	B1-84, B5-60	128736	B5-12
127602	B1-46	127685	B1-44	127754	B1-70	128210	B2-98	128650	B1-84, B5-60	128738	B5-12
127603	B1-46	127686	B1-44	127755	B1-70		B3-138	128651	B1-84, B5-60	128739	B5-12
127604	B1-46	127687	B1-44	127756	B1-70		B4-86, B5-68	128652	B1-84, B5-60	128741	B5-12
127605	B1-46	127688	B1-44	128130	B4-26	128211	B2-100		B5-60, B5-64	128742	B5-20
127606	B1-46	127689	B1-66	128131	B4-26		B3-140	128653	B1-84, B5-60	128743	B5-20
127607	B1-46	127690	B1-66	128132	B4-26		B4-88, B5-70	128654	B1-84, B5-60	128744	B5-20
127608	B1-46	127691	B1-66	128133	B4-26	128212	B2-98	128655	B1-84, B5-60	128745	B5-20
127609	B1-46	127692	B1-66	128134	B4-26		B3-138	128656	B1-84, B5-60	128746	B5-20
127610	B1-46	127693	B1-66	128135	B4-26		B4-86, B5-68		B5-60, B5-64	128747	B5-20
127611	B1-56	127694	B1-66	128136	B4-26	128213	B2-100	128657	B1-84, B5-60	128748	B5-20
127612	B1-56	127695	B1-66	128137	B4-42		B3-140	128658	B1-84, B5-60	128749	B5-20
127613	B1-56	127696	B1-66	128138	B4-42		B4-88, B5-70	128659	B1-84, B5-60	128750	B5-20
127614	B1-56	127697	B1-20	128139	B4-42	128214	B2-98	128660	B1-84, B5-60	128751	B5-20
127615	B1-56	127698	B1-20	128140	B4-42		B3-138	128661	B5-60, B5-64	128752	B5-20
127616	B1-56	127699	B1-20	128141	B4-42		B4-86, B5-68	128663	B5-60	128753	B5-20
127617	B1-78	127700	B1-22	128142	B4-42	128215	B2-100	128664	B5-60, B5-64	128754	B5-20
127618	B1-78	127701	B1-22	128143	B4-42		B3-140	128665	B5-64	128755	B5-20
127619	B1-78	127702	B1-22	128144	B4-46		B4-88, B5-70	128666	B5-60	128756	B5-20
127620	B1-78	127703	B1-44	128145	B4-46	128216	B2-98	128667	B5-60	128757	B5-22
127621	B1-78	127704	B1-44	128146	B4-46		B3-138	128668	B5-64	128758	B5-22
127622	B1-78	127705	B1-44	128147	B4-46		B4-86, B5-68	128669	B5-64	128759	B5-22
127623	B1-24	127706	B1-44	128148	B4-46	128217	B2-100	128670	B5-64	128760	B5-22
127624	B1-24	127707	B1-44	128149	B4-46		B3-140	128671	B5-64	128761	B5-22
127625	B1-24	127708	B1-44	128150	B4-46		B4-88, B5-70	128672	B1-84, B5-64	128762	B5-22
127626	B1-24	127709	B1-66	128183	B4-26	128218	B2-98	128673	B5-64	128763	B5-22
127627	B1-24	127710	B1-66	128184	B4-26		B3-138	128674	B5-64	128764	B5-22
127628	B1-24	127711	B1-66	128185	B4-26		B4-86, B5-68	128675	B5-64	128765	B5-22
127629	B1-24	127712	B1-66	128186	B4-42	128219	B2-100	128676	B5-64	128766	B5-22
127630	B1-34	127713	B1-66	128187	B4-42		B3-140	128677	B5-60, B5-64	128767	B5-22
127631	B1-34	127714	B1-66	128188	B4-42		B4-88, B5-70	128684	B1-84, B5-60	128768	B5-22
127632	B1-34	127715	B1-26	128189	B4-46	128220	B2-102	128696	B5-16	128769	B5-22
127633	B1-34	127716	B1-26	128190	B4-46		B5-72	128697	B5-16	128770	B5-22
127634	B1-68	127717	B1-26	128191	B4-46	128221	B2-102	128698	B5-16	128771	B5-22
127635	B1-68	127718	B1-26	128192	B4-54		B5-72	128700	B5-8	128772	B5-22
127636	B1-68	127719	B1-26	128193	B4-54	128222	B2-102	128701	B5-8	128774	B5-22
127637	B1-68	127720	B1-26	128194	B4-54		B5-72	128702	B5-8	128775	B5-34
127638	B1-68	127721	B1-26	128195	B4-54	128223	B2-102	128703	B5-8	128776	B5-34
127639	B1-68	127722	B1-26	128196	B4-54		B5-72	128704	B5-8	128777	B5-34
127640	B1-68	127723	B1-48	128200	B2-98	128432	B5-10	128705	B5-8	128778	B5-34
127641	B1-46	127724	B1-48		B3-138	128435	B5-10	128706	B5-8	128779	B5-34
127642	B1-46	127725	B1-48		B4-86, B5-68	128436	B5-10	128707	B5-8	128780	B5-34
127643	B1-46	127726	B1-48	128201	B2-100	128437	B5-10		B5-14, B5-16	128781	B5-34
127644	B1-46	127727	B1-48		B3-140	128438	B5-10	128708	B5-8	128782	B5-34
127645	B1-46	127728	B1-48		B4-88, B5-70	128440	B5-10	128709	B5-8	128783	B5-34
127646	B1-46	127729	B1-48	128202	B2-98	128441	B5-10	128710	B5-8, B5-12	128784	B5-34
127647	B1-46	127730	B1-48		B3-138	128444	B5-10	128711	B5-8, B5-16	128785	B5-34
127648	B1-56	127731	B1-70		B4-86, B5-68	128446	B5-10	128712	B5-8	128786	B5-36
127649	B1-56	127732	B1-70	128203	B2-100	128449	B5-10	128713	B5-8	128787	B5-36
127650	B1-56	127733	B1-70		B3-140	128451	B5-10	128714	B5-8	128788	B5-36
127651	B1-56	127734	B1-70		B4-88, B5-70	128452	B5-10	128715	B5-8	128789	B5-36
127652	B1-78	127735	B1-70	128204	B2-98	128474	B5-18	128717	B5-8	128790	B5-36
127653	B1-78	127736	B1-70		B3-138	128475	B5-18	128719	B5-8	128792	B5-36
127654	B1-78	127737	B1-70		B4-86, B5-68	128476	B5-18	128720	B5-8	128794	B5-36
127655	B1-78	127738	B1-70	128205	B2-100	128477	B5-18	128721	B5-12	128795	B5-36
127670	B1-20	127739	B1-26		B3-140	128478	B5-18	128722	B5-12	128796	B5-32
127671	B1-20	127740	B1-26		B4-88, B5-70	128479	B5-18	128723	B5-12	128797	B5-32
127672	B1-20	127741	B1-26	128206	B2-98	128480	B5-18	128724	B5-12	128798	B5-32
127673	B1-20	127742	B1-26		B3-138	128481	B5-10, B5-18	128725	B5-12	128799	B5-32
127674	B1-20	127743	B1-26		B4-86, B5-68	128482	B5-18	128726	B5-12	128800	B5-32
127675	B1-20	127744	B1-26	128207	B2-100	128483	B5-10, B5-18	128727	B5-12	128801	B5-32
127676	B1-22	127745	B1-48		B3-140	128484	B5-18	128728	B5-12	128802	B5-32
127677	B1-22	127746	B1-48		B4-88, B5-70	128485	B5-10, B5-18	128729	B5-12	128803	B5-32
127678	B1-22	127747	B1-48			128488	B5-18	128730	B5-12	128804	B5-32

# PART NUMBER INDEX



Part No.	Page	Part No.	Page	Part No.	Page	Part No.	Page	Part No.	Page	Part No.	Page
128805	B5-32	128975	B1-90	129189	B2-16	129253	B1-14	129322	B2-32	129399	B2-12
128806	B5-32	128976	B1-90	129190	B2-16	129254	B1-14	129323	B2-32	129417	B2-90
128807	B5-32	128977	B1-90	129191	B2-16	129255	B1-14	129324	B2-32	129419	B2-8, B2-22
128808	B5-40	128978	B1-90	129192	B2-16	129256	B1-14	129325	B2-32	129420	B2-8, B2-16
128809	B5-40	128980	B1-90	129193	B2-18	129257	B1-14	129326	B2-34	129421	B2-8
128810	B5-40, B5-42	128989	B1-90	129194	B2-18	129258	B1-14	129327	B2-34	129422	B2-8, B2-22
128811	B5-40	128990	B1-90	129195	B2-18	129259	B1-14	129328	B2-34	129423	B2-8
128812	B5-40	128991	B1-90	129196	B2-18	129260	B1-16	129329	B2-34	129424	B2-8, B2-22
128813	B5-40, B5-42	128992	B1-90	129197	B2-18	129261	B1-16	129330	B2-40	129425	B2-10, B2-22
128814	B5-40, B5-42	128993	B1-90	129198	B2-18	129262	B1-16	129331	B2-40	129426	B2-10, B2-22
128815	B5-40	128994	B1-90	129199	B2-18	129263	B1-16	129332	B2-40	129427	B2-10, B2-22
128816	B5-40	128996	B1-90	129200	B2-18	129264	B1-16	129333	B2-40	129428	B2-10, B2-24
128817	B5-40	128997	B1-90	129201	B2-18	129265	B1-16	129334	B2-40	129429	B2-10, B2-24
128818	B5-40	129040	B2-16	129202	B2-18	129266	B1-16	129335	B2-40	129430	B2-10, B2-24
128820	B5-40	129041	B2-16	129203	B2-8, B2-16	129267	B1-16	129336	B2-40	129431	B2-10, B2-24
128822	B5-40	129042	B2-16	129204	B2-8	129268	B1-16	129337	B2-34, B2-40	129432	B2-8
128823	B5-16	129043	B2-16	129205	B2-8	129269	B1-16	129339	B1-38	129433	B2-16
128824	B5-14, B5-16	129044	B2-18	129206	B2-8	129270	B1-16	129340	B1-38	129434	B2-16
128825	B5-14, B5-16	129045	B2-18	129207	B2-8	129271	B1-16	129341	B1-38	129435	B2-16
128826	B5-16	129046	B2-18	129208	B2-8	129272	B1-16	129342	B1-38	129436	B2-16
128827	B5-14, B5-16	129047	B2-18	129209	B2-8	129273	B1-16	129343	B1-38	129437	B2-18
128828	B5-14, B5-16	129048	B2-22	129210	B2-18	129274	B1-16	129344	B1-38	129438	B2-18
128829	B5-14, B5-16	129049	B4-18	129211	B2-10	129275	B1-16	129345	B1-38	129439	B2-18
128830	B5-8, B5-14, B5-16	129049	B2-22	129212	B2-10	129276	B2-30	129346	B1-38	129440	B2-18
128831	B5-14, B5-16	129078	B2-34, B2-40	129213	B2-10	129277	B2-30	129347	B1-38	129441	B2-18
128832	B5-8, B5-16	129099	B2-20	129214	B2-10	129278	B2-30	129348	B1-38	129442	B2-12
128833	B5-14, B5-16	129118	B2-66	129215	B2-10	129279	B2-30	129349	B1-38	129443	B2-12, B2-26
128834	B5-8, B5-16	129148	B2-30	129216	B2-10	129280	B2-30	129350	B1-38	129444	B2-12, B2-26
128835	B5-26	129149	B2-10	129217	B2-22	129281	B2-30	129351	B1-38	129445	B2-14, B2-26
128836	B5-26	129150	B2-8, B2-16	129218	B2-22, B4-18	129282	B2-30	129352	B1-38	129446	B2-14, B2-26
128837	B5-26	129151	B2-8, B2-16	129219	B2-22, B4-18	129283	B2-30	129353	B1-38	129447	B2-14, B2-26
128838	B5-26	129152	B2-8	129220	B2-22	129284	B2-30	129354	B1-38	129448	B2-14, B2-28
128839	B5-26	129153	B2-8	129221	B2-22, B4-18	129285	B2-30	129355	B1-40	129449	B2-14, B2-28
128840	B5-26	129154	B2-8	129222	B2-22, B4-18	129286	B2-30	129356	B1-40	129450	B2-14, B2-28
128841	B5-26	129155	B2-8	129223	B2-24, B4-18	129287	B2-30	129357	B1-40	129451	B2-28
128842	B5-22, B5-26	129156	B2-8	129224	B2-10, B2-24, B4-18	129288	B2-30	129358	B1-40	129452	B2-12, B2-26
128843	B5-38	129157	B2-8	129225	B2-24, B4-18	129289	B2-30	129359	B1-40	129453	B2-24
128844	B5-38	129158	B2-8	129226	B2-24, B4-18	129290	B2-30	129360	B1-40	129454	B2-24
128845	B5-38	129159	B2-8	129227	B2-10, B2-24, B4-18	129291	B1-30	129361	B1-40	129455	B2-28
128846	B5-38	129160	B2-8	129228	B2-24, B4-18	129292	B1-30	129362	B1-40	129456	B2-28
128847	B5-38	129161	B2-8, B2-22	129229	B2-24, B4-18	129293	B1-30	129363	B1-40	129457	B2-30
128848	B5-38	129162	B2-8	129230	B2-24, B4-18	129294	B1-30	129364	B1-40	129458	B2-30
128849	B5-38	129163	B2-8	129231	B2-24, B4-18	129295	B1-30	129365	B1-40	129459	B2-30
128850	B5-36, B5-38	129164	B2-10	129232	B2-24, B4-18	129296	B1-30	129366	B1-40	129460	B2-30
128851	B5-38	129165	B2-10	129233	B2-24, B4-18	129297	B1-30	129367	B1-40	129461	B2-30
128852	B5-36, B5-38	129166	B2-10	129234	B2-26	129298	B1-30	129368	B1-40	129462	B2-30
128853	B5-38	129167	B2-10	129235	B2-26	129299	B1-30	129369	B2-40	129463	B2-30
128854	B5-36, B5-38	129168	B2-10	129236	B2-26	129300	B1-30	129371	B2-10	129464	B2-48
128855	B5-42	129169	B2-10	129237	B2-26	129301	B2-32	129372	B2-18	129465	B2-48
128856	B5-42	129170	B2-10	129238	B2-28	129302	B2-32	129373	B2-34	129466	B2-48, B2-56
128857	B5-42	129171	B2-10	129239	B2-28	129303	B2-32	129374	B2-50	129467	B2-48, B2-56
128858	B5-42	129172	B2-10	129240	B2-28	129304	B2-32	129375	B2-64	129468	B2-48, B2-56
128859	B5-42	129173	B2-10	129241	B2-28	129305	B2-32	129376	B2-10	129469	B2-50, B2-56
128860	B5-42	129174	B2-12	129242	B2-28	129306	B2-32	129377	B2-18	129470	B2-50, B2-56
128861	B5-42	129175	B2-12	129243	B2-28	129307	B2-32	129378	B2-34	129471	B2-50, B2-56
128862	B5-40, B5-42	129176	B2-12	129244	B1-14	129308	B2-32	129379	B2-50	129472	B2-50, B2-58
128863	B5-42	129177	B2-12	129245	B1-14	129309	B2-32	129380	B2-64	129473	B2-50, B2-58
128864	B5-40, B5-42	129178	B2-12	129246	B1-14	129310	B2-32, B2-40	129381	B2-22	129474	B2-50, B2-58
128865	B5-42	129179	B2-14	129247	B1-14	129311	B2-32	129382	B2-26	129475	B2-50, B2-58
128866	B5-40, B5-42	129180	B2-14	129248	B1-14	129312	B2-32	129383	B2-22	129476	B2-52, B2-60
128960	B1-90	129181	B2-14	129249	B1-14	129313	B2-34	129384	B2-26	129477	B2-52, B2-60
128961	B1-90	129182	B2-14	129250	B1-14	129314	B2-34, B2-40	129385	B2-22	129478	B2-52, B2-60
128962	B1-90	129183	B2-16	129251	B1-14	129315	B2-34	129386	B2-26	129479	B2-54, B2-60
128963	B1-90	129184	B2-16	129252	B1-14	129316	B2-34	129387	B2-22	129480	B2-54, B2-60
128964	B1-90	129185	B2-16			129317	B2-34	129388	B2-26	129481	B2-54, B2-60
128965	B1-90	129186	B2-16			129318	B2-34	129389	B1-14	129482	B2-54, B2-62
128966	B1-90	129187	B2-16			129319	B2-34	129390	B1-14	129483	B2-54, B2-62
128974	B1-90	129188	B2-16			129320	B2-36	129391	B1-60	129484	B2-54, B2-62
						129321	B2-32	129392	B1-14	129485	B2-54, B2-62



# PART NUMBER INDEX



Part No.	Page	Part No.	Page	Part No.	Page	Part No.	Page	Part No.	Page	Part No.	Page
129486	B2-58	129555	B1-52	129650	B2-50	129719	B1-60	129788	B2-88	129899	B2-92
129487	B2-58	129556	B1-52	129651	B2-50	129720	B1-60	129789	B2-88	129902	B2-8
129488	B2-62	129557	B1-52	129652	B2-50	129721	B1-62	129790	B2-88		B2-12
129489	B2-62	129558	B1-52	129653	B2-50	129722	B1-62	129791	B2-88		B2-16, B2-32, B2-36,
129490	B2-32	129559	B1-16	129654	B2-50	129723	B1-62	129792	B2-88		B2-42, B2-46, B2-48,
129491	B2-32	129560	B1-16	129655	B2-50	129724	B1-62	129793	B2-88		B2-52, B2-86, B2-94
129492	B2-32, B2-40	129561	B1-16	129656	B2-50	129725	B1-62	129794	B2-88	129903	B2-8
129493	B2-32, B2-40	129562	B1-16	129657	B2-50	129726	B1-62	129795	B2-88		B2-12,
129494	B2-32, B2-40	129563	B1-16	129658	B2-50	129727	B1-62	129796	B2-86		B2-16, B2-32, B2-36,
129495	B2-34, B2-40	129564	B1-16	129659	B2-52	129728	B1-62	129797	B2-86		B2-42, B2-46, B2-48,
129496	B2-34, B2-40	129565	B1-16	129660	B2-52	129729	B1-62	129798	B2-86		B2-52, B2-86, B2-94
129497	B2-34, B2-40	129566	B1-16	129661	B2-52	129730	B1-62	129799	B2-86	129904	B2-8
129498	B2-34, B2-40	129567	B1-62	129662	B2-54	129731	B1-62	129800	B2-86		B2-12, B2-16,
129499	B2-36	129568	B1-62	129663	B2-54	129732	B1-62	129801	B2-88		B2-30, B2-32, B2-36,
129500	B2-36	129569	B1-62	129664	B2-54	129733	B1-62	129802	B2-88		B2-42, B2-44, B2-46,
129501	B2-64, B2-66	129570	B1-62	129665	B2-54	129734	B1-62	129803	B2-88		B2-48, B2-52, B2-68,
129502	B2-64, B2-66	129571	B1-62	129666	B2-54	129735	B2-64	129804	B2-88		B2-74, B2-86, B2-94
129503	B2-64, B2-66	129572	B1-62	129667	B2-48	129736	B2-64	129805	B2-88	129905	B2-8
129504	B2-64, B2-66	129573	B1-40	129668	B2-48	129737	B2-64	129806	B2-88		B2-12, B2-16,
129505	B2-64, B2-66	129574	B1-40	129669	B2-48	129738	B2-64, B2-66	129807	B2-88		B2-30, B2-32, B2-36,
129506	B2-64, B2-66	129575	B1-40	129670	B2-48	129739	B2-64	129808	B2-90		B2-42, B2-44, B2-46,
129507	B2-64, B2-66	129576	B1-40	129671	B2-48	129740	B2-64	129809	B2-90		B2-48, B2-52, B2-68,
129508	B2-64, B2-66	129577	B1-40	129672	B2-50	129741	B2-64, B2-66	129810	B2-90		B2-74, B2-86, B2-94
129509	B2-66	129578	B1-40	129673	B2-50	129742	B2-64, B2-66	129811	B2-90	129906	B2-8
129510	B2-66	129579	B1-80	129674	B2-50	129743	B2-64	129812	B2-90		B2-12, B2-16,
129511	B2-44	129580	B1-80	129675	B2-50	129744	B2-64	129813	B2-90		B2-30, B2-32, B2-36,
129512	B2-44	129581	B1-80	129676	B2-50	129745	B2-64	129814	B2-92		B2-42, B2-44, B2-46,
129513	B2-44	129582	B1-80	129677	B2-50	129746	B2-64	129815	B2-88, B2-92		B2-48, B2-52, B2-68,
129514	B2-44	129583	B1-80	129678	B2-50	129747	B2-64	129816	B2-92		B2-74, B2-86, B2-94
129515	B2-44	129584	B1-80	129679	B2-56	129748	B2-64	129817	B2-88, B2-92	129907	B2-8
129516	B2-86	129585	B1-80	129680	B2-56	129749	B2-64	129818	B2-88, B2-92		B2-12, B2-16, B2-20,
129517	B2-86	129602	B1-14, B1-16	129681	B2-56	129750	B2-64	129819	B2-88, B2-92		B2-30, B2-32, B2-36,
129518	B2-86, B2-90	129603	B1-14	129682	B2-56	129751	B2-64	129820	B2-92		B2-42, B2-44, B2-46,
129519	B2-86, B2-90	129605	B1-16	129683	B2-56	129752	B2-64	129821	B2-92		B2-48, B2-52, B2-68,
129520	B2-86, B2-90	129606	B1-14, B1-16	129684	B2-56	129753	B2-64	129822	B2-92		B2-74, B2-86, B2-94
129521	B2-88, B2-90	129611	B1-14	129685	B2-56	129754	B2-64	129823	B2-92	129908	B2-8
129522	B2-88, B2-90	129612	B1-16	129686	B2-58	129755	B2-64	129824	B2-92		B2-12, B2-16, B2-30,
129523	B2-88, B2-90	129613	B1-14, B1-16	129687	B2-50, B2-58	129756	B2-64	129825	B1-80		B2-32, B2-36, B2-42,
129524	B2-88, B2-92	129615	B2-44	129688	B2-58	129757	B2-64	129826	B1-80		B2-44, B2-46, B2-48,
129525	B2-88, B2-92	129616	B2-44	129689	B2-50, B2-58	129758	B2-66	129827	B1-80		B2-52, B2-64, B2-68,
129526	B2-88, B2-92	129617	B2-44	129690	B2-58	129759	B2-66	129828	B1-80		B2-74, B2-86, B2-94
129527	B2-88, B2-92	129618	B2-44	129691	B2-50, B2-58	129760	B2-66	129829	B1-80	129909	B2-8
129528	B2-92	129619	B2-44	129692	B2-58	129761	B2-66	129830	B1-80		B2-12, B2-16, B2-30,
129529	B2-92	129620	B2-44	129693	B2-58	129762	B2-66	129831	B1-80		B2-32, B2-36, B2-42,
129530	B1-14	129621	B2-44	129694	B2-58	129763	B2-66	129832	B1-80		B2-44, B2-46, B2-48,
129531	B1-14	129622	B2-44	129695	B2-58	129764	B2-66	129833	B1-80		B2-52, B2-64, B2-68,
129532	B1-14	129623	B2-44	129696	B2-58	129765	B2-64, B2-66	129834	B1-80		B2-74, B2-86, B2-94
129533	B1-14	129624	B2-44	129697	B2-60	129766	B2-66	129835	B1-80	129910	B2-8
129534	B1-14	129625	B2-44	129698	B2-60	129767	B2-64, B2-66	129836	B1-80		B2-12, B2-16, B2-30,
129535	B1-14	129626	B2-44	129699	B2-60	129768	B2-66	129837	B1-80		B2-32, B2-36, B2-42,
129536	B1-14	129627	B1-52	129700	B2-62	129769	B2-64, B2-66	129838	B1-80		B2-44, B2-46, B2-48,
129537	B1-30	129629	B1-52	129701	B2-62	129770	B2-66	129839	B1-80		B2-52, B2-64, B2-68,
129538	B1-30	129631	B1-52	129702	B2-62	129771	B2-66	129840	B1-80		B2-74, B2-86, B2-94
129539	B1-30	129632	B1-52	129703	B2-62	129772	B2-66	129841	B2-8	129911	B2-8
129540	B1-30	129634	B1-52	129704	B2-62	129773	B2-66	129842	B2-8		B2-12, B2-16, B2-22,
129541	B1-60	129635	B1-52	129705	B1-60	129774	B2-86	129843	B2-8		B2-26, B2-30, B2-32,
129542	B1-60	129637	B2-48	129706	B1-60	129775	B2-86	129844	B2-88		B2-36, B2-40, B2-42,
129543	B1-60	129638	B2-48	129707	B1-60	129776	B2-86	129845	B2-88		B2-44, B2-46, B2-48,
129544	B1-60	129639	B2-48	129708	B1-60	129777	B2-86	129887	B2-76		B2-52, B2-56, B2-60,
129545	B1-60	129640	B2-48	129709	B1-60	129778	B2-86	129889	B2-90		B2-64, B2-66, B2-68,
129546	B1-60	129641	B2-48	129710	B1-60	129779	B2-86	129890	B2-90		B2-72, B2-74, B2-78,
129547	B1-60	129642	B2-48	129711	B1-60	129780	B2-86	129891	B2-90		B2-86, B2-90, B2-94
129548	B1-38	129643	B2-48	129712	B1-60	129781	B2-86	129892	B2-90	129912	B2-8
129549	B1-38	129644	B2-48	129713	B1-60	129782	B2-86	129893	B2-90		B2-12, B2-16, B2-30,
129550	B1-38	129645	B2-48	129714	B1-60	129783	B2-86, B2-90	129894	B2-92		B2-32, B2-36, B2-42,
129551	B1-38	129646	B2-48, B2-56	129715	B1-60	129784	B2-86	129895	B2-92		B2-44, B2-46, B2-48,
129552	B1-38	129647	B2-48	129716	B1-60	129785	B2-86	129896	B2-92		B2-52, B2-64, B2-68,
129553	B1-38	129648	B2-48	129717	B1-60	129786	B2-88	129897	B2-92		B2-74, B2-86, B2-94
129554	B1-38	129649	B2-50	129718	B1-60	129787	B2-88, B2-90	129898	B2-92		



# PART NUMBER INDEX



Part No.	Page	Part No.	Page	Part No.	Page	Part No.	Page	Part No.	Page	Part No.	Page
129971	B1-16, B1-30, B1-38, B1-40, B1-52, B1-60, B1-62, B1-74, B1-80	129986	B1-14, B1-16, B1-38, B1-40, B1-60, B1-62, B1-80	130335	B4-52	130837	B4-36	131158	B4-60	131276	B4-70
129972	B1-14, B1-16, B1-30, B1-38, B1-40, B1-52, B1-60, B1-62, B1-74, B1-80	129987	B2-10, B2-14, B2-18, B2-50, B2-54, B2-88, B2-94	130336	B4-52	130838	B4-56	131159	B4-60	131317	B4-72
129973	B1-14, B1-16, B1-30, B1-38, B1-40, B1-52, B1-60, B1-62, B1-74, B1-80	129988	B1-30	130337	B4-52	130839	B4-56	131160	B4-60	131325	B4-72
129974	B1-14, B1-16, B1-30, B1-38, B1-40, B1-52, B1-60, B1-62, B1-74, B1-80	129989	B1-30	130338	B4-52	130840	B4-56	131161	B4-60	131327	B4-72
129975	B1-16, B1-38, B1-40, B1-60, B1-62, B1-80	129990	B1-30	130339	B4-52	130841	B4-56	131163	B4-60	131335	B4-72
129976	B1-14, B1-38, B1-60, B1-80	129991	B1-30	130340	B4-62	130842	B4-56	131164	B4-60	131339	B4-12
129977	B1-14, B1-38, B1-60, B1-80	129992	B1-30	130341	B4-62	130843	B4-56	131165	B4-60	131340	B4-16
129978	B1-14, B1-16, B1-38, B1-40, B1-60, B1-62, B1-80	129993	B1-30	130342	B4-62	130845	B4-64	131166	B4-60	131341	B4-10
129979	B1-14, B1-16, B1-38, B1-40, B1-60, B1-62, B1-80	129994	B1-30	130343	B4-62	130846	B4-64	131167	B4-60	131342	B4-10
129980	B1-14, B1-38, B1-60, B1-80	129995	B1-30	130344	B4-62	130847	B4-64	131170	B4-60	131343	B4-50
129981	B1-14, B1-38, B1-60, B1-80	129996	B1-30	130345	B4-62	130848	B4-64	131171	B4-60	131356	B4-74
129982	B1-16, B1-30, B1-38, B1-40, B1-60, B1-62, B1-74, B1-80	129997	B1-30	130346	B4-66	130849	B4-64	131172	B4-60	131357	B4-74
129983	B1-14, B1-16, B1-30, B1-38, B1-40, B1-60, B1-62, B1-74, B1-80	129998	B1-35	130347	B4-66	130850	B4-64	131175	B4-60	131358	B4-74
129984	B1-14, B1-38, B1-60, B1-80	129999	B1-35	130348	B4-66	130851	B4-64	131177	B4-60	131359	B4-74
129985	B1-14, B1-38, B1-60, B1-80	130000	B1-35	130349	B4-66	130852	B4-64	131180	B4-60	131360	B4-74
		130001	B1-35	130350	B4-66	130853	B4-64	131182	B4-60	131361	B4-74
		130002	B1-35	130351	B4-66	130854	B4-64	131185	B4-60	131363	B4-74
		130003	B1-35	130352	B4-34	130880	B4-32	131186	B4-62	131364	B4-74
		130004	B1-35	130353	B4-34	131050	B4-32	131187	B4-62	131365	B4-74
		130005	B1-35	130689	B2-20	131052	B4-32	131188	B4-62	131366	B4-74
		130006	B1-35	130691	B2-20	131054	B4-32	131189	B4-62	131377	B4-52
		130007	B1-35	130692	B2-20	131056	B4-32	131190	B4-62	131378	B4-52
		130008	B1-35	130693	B2-20	131057	B4-32	131191	B4-62	131379	B4-52
		130009	B1-35	130694	B2-20	131058	B4-32	131192	B4-62	131380	B4-52
		130010	B1-35	130695	B2-20	131059	B4-32	131193	B4-62	131381	B4-52
		130011	B1-35	130696	B2-20	131060	B4-32	131194	B4-62	131382	B4-52
		130012	B1-35	130697	B2-20	131061	B4-32	131195	B4-62	131383	B4-52
		130013	B1-35	130698	B2-20	131063	B4-32	131196	B4-62	131384	B4-52
		130014	B1-35	130699	B2-20	131064	B4-32	131197	B4-62	131385	B4-52
		130015	B1-35	130700	B2-20	131065	B4-32	131198	B4-62	131386	B4-52
		130016	B1-35	130701	B2-20	131066	B4-32	131204	B4-64	131387	B4-52
		130017	B1-35	130702	B2-20	131067	B4-32	131206	B4-64	131388	B4-52
		130018	B1-35	130703	B2-20	131070	B4-32	131207	B4-64	131389	B4-52
		130019	B1-35	130704	B2-20	131071	B4-32	131208	B4-64	131432	B4-12
		130020	B1-35	130705	B2-20	131072	B4-32	131209	B4-64	131433	B4-12
		130021	B1-35	130706	B2-20	131074	B4-32	131210	B4-64	131434	B4-16
		130022	B1-35	130707	B2-20	131075	B4-32	131211	B4-64	131435	B4-82
		130023	B1-35	130708	B2-20	131077	B4-32	131213	B4-64	131436	B4-82
		130024	B1-35	130709	B2-20	131079	B4-32	131214	B4-64	131437	B4-82
		130025	B1-35	130710	B2-20	131082	B4-20	131215	B4-64	131438	B4-82
		130026	B1-35	130711	B2-20	131083	B4-20	131216	B4-64	131439	B4-82
		130027	B1-35	130712	B2-20	131084	B4-20	131217	B4-64	131440	B4-82
		130028	B1-35	130713	B2-20	131085	B4-20	131220	B4-64	131441	B4-82
		130029	B1-35	130714	B2-20	131088	B4-48	131221	B4-64	131442	B4-82
		130030	B1-35	130715	B2-20	131100	B4-48	131222	B4-64	131443	B4-82
		130031	B1-35	130716	B2-20	131102	B4-48	131225	B4-64	131444	B4-82
		130032	B1-35	130717	B2-20	131104	B4-48	131227	B4-64	131445	B4-82
		130033	B1-35	130718	B2-20	131106	B4-48	131230	B4-64	131446	B4-82
		130034	B1-35	130719	B2-20	131107	B4-48	131232	B4-64	131447	B4-82
		130035	B1-35	130720	B2-20	131108	B4-48	131235	B4-64	131536	B4-68
		130036	B1-35	130721	B2-20	131109	B4-48	131238	B4-66	131537	B4-68
		130037	B1-35	130722	B2-20	131110	B4-48	131239	B4-66	131540	B4-68
		130038	B1-35	130723	B2-20	131111	B4-48	131240	B4-66	131542	B4-68
		130039	B1-35	130724	B2-20	131113	B4-48	131241	B4-66	131545	B4-68
		130040	B1-35	130725	B2-20	131114	B4-48	131243	B4-66	131589	B4-20
		130041	B1-35	130726	B2-20	131115	B4-48	131244	B4-66	131737	B4-34
		130042	B1-35	130727	B2-20	131116	B4-48	131245	B4-66	131738	B4-34
		130043	B1-35	130728	B2-20	131117	B4-50	131246	B4-66	131739	B4-34
		130044	B1-35	130729	B2-20	131120	B4-50	131248	B4-66	131740	B4-34
		130045	B1-35	130730	B2-20	131121	B4-50	131249	B4-66	131741	B4-34
		130046	B1-35	130731	B2-20	131122	B4-50	131250	B4-66	131742	B4-34
		130047	B1-35	130732	B2-20	131125	B4-50	131259	B4-70	131743	B4-34
		130048	B1-35	130733	B2-20	131127	B4-50	131260	B4-70	131744	B4-34
		130049	B1-35	130734	B2-20	131130	B4-50	131261	B4-70	131745	B4-34
		130050	B1-35	130735	B2-20	131132	B4-50	131263	B4-70	131746	B4-34
		130051	B1-35	130736	B2-20	131135	B4-50	131264	B4-70	131747	B4-34
		130052	B1-35	130737	B2-20	131137	B4-50	131265	B4-70	131748	B4-34
		130053	B1-35	130738	B2-20	131154	B4-60	131266	B4-70	131749	B4-34
		130054	B1-35	130739	B2-20	131156	B4-60	131275	B4-70	131800	B4-10, B4-14
		130055	B1-35	130740	B2-20	131157	B4-60				

# PART NUMBER INDEX



Take-Up Frames

Engineering

Index

Part No.	Page	Part No.	Page	Part No.	Page	Part No.	Page	Part No.	Page	Part No.	Page
131801	B4-10, B4-14	131971	B4-20	136123	B2-70	136192	B2-84	136269	B2-40	136341	B2-42
131802	B4-10	131972	B4-20	136124	B2-70	136193	B2-82, B2-84	136270	B2-40	136342	B2-42
131803	B4-10	131973	B4-20	136125	B2-70	136194	B2-84	136271	B2-40	136343	B2-46
131804	B4-10	131974	B4-20	136126	B2-70	136195	B2-84	136272	B2-40	136344	B2-46
131805	B4-10	131975	B4-20	136127	B2-70	136196	B2-84	136273	B2-40	136345	B2-46
131806	B4-10	131976	B4-20	136128	B2-70	136197	B2-84	136274	B2-40	136346	B2-46
131807	B4-10	131977	B4-20	136129	B2-70	136198	B2-84	136275	B2-56	136347	B2-46
131808	B4-10	131978	B4-20	136130	B2-74	136210	B2-68	136276	B2-56	136348	B2-46
131809	B4-10	131979	B4-20	136131	B2-74	136211	B2-68, B2-72	136277	B2-56	136349	B2-46
131810	B4-10	131980	B4-20	136132	B2-74	136212	B2-68, B2-72	136278	B2-56	136350	B2-46
131811	B4-10	131981	B4-20	136133	B2-74	136213	B2-68, B2-72	136279	B2-56	136351	B2-46
131812	B4-10	131982	B4-22	136134	B2-74	136214	B2-68, B2-72	136280	B2-58	136352	B2-46
131813	B4-12	131983	B4-24	136135	B2-74	136215	B2-70, B2-72	136281	B2-58	136353	B2-46
131814	B4-12	131984	B4-24	136136	B2-74	136216	B2-70, B2-72	136282	B2-58	136354	B2-46
131815	B4-12	131985	B4-24	136137	B2-78	136217	B2-70, B2-72	136283	B2-58	136355	B2-42
131816	B4-12	131986	B4-24	136138	B2-74	136218	B2-70, B2-72	136284	B2-58	136356	B2-42
131817	B4-12	131987	B4-24	136139	B2-74	136219	B2-74	136285	B2-58	136357	B2-42
131818	B4-12	131988	B4-24	136140	B2-74	136220	B2-74, B2-78	136286	B2-66	136358	B2-42
131819	B4-12	131989	B4-24	136141	B2-74	136221	B2-74, B2-78	136287	B2-66	136359	B2-42
131820	B4-12	131990	B4-24	136142	B2-76	136222	B2-74, B2-78	136288	B2-66	136360	B2-46
131821	B4-12	131991	B4-24	136143	B2-76	136223	B2-74, B2-78	136289	B2-66	136361	B2-46
131830	B4-14	131992	B4-24	136144	B2-76	136224	B2-76, B2-78	136290	B2-66	136362	B2-46
131831	B4-14	131993	B4-24	136145	B2-76	136225	B2-76, B2-78	136291	B2-66	136363	B2-46
131832	B4-14	131994	B4-24	136146	B2-76	136226	B2-76, B2-80	136293	B2-66	136364	B2-46
131833	B4-14	131995	B4-24	136147	B2-76	136227	B2-76, B2-80	136294	B2-66	136365	B2-30
131834	B4-14	131996	B4-20	136148	B2-76	136228	B2-76, B2-80	136295	B2-66	136366	B2-30
131835	B4-14	132203	B14-41	136149	B2-76	136229	B2-76, B2-80	136296	B2-72	136367	B2-30
131836	B4-14	132205	B14-41	136150	B2-76	136230	B2-80	136297	B2-72	136368	B2-30
131837	B4-14	132542	B14-33	136151	B2-76	136231	B2-82, B2-84	136298	B2-72	136369	B2-30
131838	B4-14	132546	B14-33	136152	B2-82	136232	B2-82, B2-84	136299	B2-72	136370	B2-30
131839	B4-14	132547	B14-33	136153	B2-82	136233	B2-82, B2-84	136300	B2-72	136371	B2-30
131840	B4-14	132548	B14-33	136154	B2-82	136234	B2-82, B2-84	136301	B2-72	136383	B2-30
131841	B4-16	132549	B14-33	136155	B2-82	136235	B2-82, B2-84	136302	B2-72	136384	B2-30
131842	B4-16	132564	B14-33	136156	B2-82	136236	B2-84	136303	B2-78	136385	B2-30
131843	B4-16	132565	B14-33	136157	B2-82	136237	B2-84	136304	B2-78	136386	B2-30
131844	B4-16	132566	B14-33	136158	B2-82	136238	B2-68	136305	B2-78	136387	B2-30
131845	B4-16	132567	B14-33	136159	B2-72	136239	B2-68	136306	B2-78	136388	B2-30
131846	B4-16	132811	B14-34	136160	B2-72	136240	B2-68	136307	B2-78	136389	B2-30
131847	B4-16	132814	B14-34	136161	B2-72	136241	B2-68	136308	B2-80	139292	B2-66
131848	B4-16	132816	B14-34	136162	B2-72	136242	B2-68	136309	B2-80	162556	B2-76
131849	B4-16	132819	B14-34	136163	B2-72	136243	B2-70	136310	B2-80	199910	B2-20
131895	B4-10	132822	B14-34	136164	B2-72	136244	B2-70	136311	B2-80	230050	B13-44
131896	B4-10	133932	B14-34	136165	B2-72	136245	B2-70	136312	B2-80	230053	B13-44
131897	B4-10	133933	B14-34	136166	B2-72	136246	B2-70	136315	B1-74	230056	B13-44
131900	B4-76	133937	B14-34	136167	B2-72	136247	B2-74	136316	B1-74	230059	B13-44
131902	B4-76	133938	B14-34	136168	B2-72	136248	B2-74	136317	B1-74	230062	B13-44
131904	B4-76	134796	B14-36	136169	B2-72	136249	B2-74	136318	B1-74	230065	B13-44
131906	B4-76	134798	B14-36	136170	B2-78	136250	B2-74	136319	B1-74	230068	B13-44
131907	B4-76	134800	B14-36	136171	B2-78	136251	B2-74	136320	B1-74	230071	B13-44
131908	B4-76	134803	B14-36	136172	B2-78	136252	B2-76	136321	B1-74	230074	B13-44
131909	B4-76	134806	B14-36	136173	B2-78	136253	B2-76	136322	B1-74	230077	B13-44
131910	B4-76	134809	B14-36	136174	B2-78	136254	B2-76	136323	B1-74	230080	B13-44
131911	B4-76	135378	B14-37	136175	B2-78	136255	B2-76	136324	B1-74	230134	B13-44
131912	B4-76	135379	B14-37	136176	B2-78	136257	B2-76	136325	B1-74	230137	B13-44
131913	B4-76	135380	B14-37	136177	B2-80	136258	B2-22	136326	B1-74	230140	B13-44
131914	B4-76	135381	B14-37	136178	B2-80	136259	B4-18	136327	B1-74	231063	B13-52
131915	B4-76	135449	B14-37	136179	B2-80	136259	B2-22	136328	B1-74	231069	B13-52
131916	B4-78	136110	B2-68	136180	B2-80	136260	B2-22	136329	B1-74	231075	B13-52
131918	B4-78	136111	B2-68	136181	B2-80	136261	B4-18	136330	B1-74	231081	B13-52
131919	B4-78	136112	B2-68	136182	B2-80	136261	B2-22	136331	B2-42	231087	B13-52
131920	B4-78	136113	B2-68	136183	B2-80	136262	B4-18	136332	B2-42	231096	B13-52
131923	B4-78	136114	B2-68	136184	B2-80	136262	B2-24	136333	B2-42	231102	B13-52
131924	B4-78	136115	B2-68	136185	B2-80	136263	B4-18	136334	B2-42	231108	B13-52
131927	B4-78	136116	B2-68	136186	B2-84	136263	B2-24	136335	B2-42	231114	B13-52
131928	B4-78	136117	B2-72	136187	B2-84	136264	B2-24	136336	B2-42	231120	B13-52
131931	B4-78	136118	B2-68	136188	B2-84	136265	B2-24	136337	B2-42	231126	B13-52
131933	B4-78	136119	B2-68	136189	B2-84	136266	B2-24	136338	B2-42	231135	B13-52
131934	B4-78	136120	B2-68	136190	B2-84	136267	B2-24	136339	B2-42	231141	B13-52
131970	B4-20	136122	B2-70	136191	B2-84	136268	B2-40	136340	B2-42	231150	B13-52

# PART NUMBER INDEX



Part No.	Page	Part No.	Page	Part No.	Page	Part No.	Page	Part No.	Page	Part No.	Page
405015	B13-10	419184	B11-116, B11-128	421288	B11-89, B11-96	422019	B11-32, B11-37, B11-47, B11-74, B12-10, B12-12, B12-18	422543	B11-34, B11-38, B11-47, B11-74	422989	B11-53, B11-55
407036	B11-116	419185	B11-116, B11-128	421289	B11-89, B11-96	422021	B11-32, B11-37, B11-47, B11-74, B12-10, B12-12, B12-18	422544	B11-34	422990	B11-53, B11-55
407302	B11-116, B11-128	419187	B11-116, B11-128	421290	B11-89, B11-96	422027	B11-32, B11-37, B11-47, B11-74, B12-10, B12-12, B12-18	422545	B11-35, B11-38, B11-45, B11-73, B11-88, B11-95	422991	B11-53, B11-55
407306	B11-128	419188	B11-116, B11-128	421291	B11-89, B11-96	422029	B11-32, B11-37, B11-47, B11-58, B11-74, B12-10, B12-12, B12-18	422554	B11-49, B11-129	422992	B11-53, B11-55
416173	B15-32	421243	B9-20	421292	B11-89, B11-96	422030	B11-34, B11-38, B11-47, B11-74, B11-88, B11-95	422555	B11-71	423100	B11-102
416229	B15-32	421244	B9-20	421293	B11-89, B11-96	422031	B11-34, B11-38, B11-47, B11-74, B11-88, B11-95	422556	B11-69	423102	B11-99, B11-102
416231	B15-32	421245	B9-20	421294	B11-89, B11-96	422035	B11-99, B11-102	422560	B11-34, B11-39	423104	B11-99, B11-102
416275	B15-32	421246	B9-20	421362	B9-25	422036	B11-89, B11-96	422567	B11-35, B11-48, B11-75	423106	B11-99, B11-102
419008	B11-117, B11-128	421247	B9-20	421363	B9-25	422049	B11-32, B11-37, B11-47, B11-58, B11-74, B12-10	422571	B11-71	423108	B11-99, B11-102
419150	B11-107, B11-115, B11-117, B11-128	421248	B9-20	421364	B9-25	422054	B11-89, B11-96	422572	B11-69	423110	B11-99, B11-102
419151	B11-117, B11-128	421249	B9-20	421365	B9-25	422064	B11-32, B11-37, B11-47, B11-74, B12-10	422573	B11-35, B11-38, B11-45, B11-73, B11-88, B11-95	423112	B11-99, B11-102
419152	B11-107, B11-115, B11-117, B11-128	421250	B9-20	421366	B9-25	422070	B11-32, B11-37, B11-47, B11-58, B11-74, B12-10	422576	B11-88, B11-97	423114	B11-99, B11-102
419153	B11-117, B11-128	421251	B9-20	421367	B9-25	422077	B11-32, B11-37, B11-47, B11-74, B12-12, B12-18	422580	B11-88	423116	B11-99, B11-102
419154	B11-107, B11-115, B11-117, B11-128	421252	B9-20	421368	B9-25	422080	B11-34, B11-38, B11-47, B11-74, B11-88, B11-95	422582	B11-88, B11-96	423120	B11-99, B11-102
419156	B11-107, B11-115	421253	B9-20	421369	B9-25	422084	B11-34, B11-38, B11-47, B11-74, B11-88, B11-95	422588	B11-88, B11-95	423122	B11-99, B11-102
419158	B11-107, B11-115, B11-119, B11-128	421254	B9-20	421370	B9-25	422093	B11-99, B11-102	422594	B11-88, B11-95	423124	B11-116, B11-125
419160	B11-107, B11-115, B11-119, B11-128	421255	B9-20	421371	B9-25	422096	B11-89, B11-96	422595	B13-33	423125	B11-116, B11-125
419162	B11-107, B11-115, B11-119, B11-128	421256	B9-20	421372	B9-25	422104	B11-32, B11-37, B11-47, B11-74, B12-10	422597	B13-33	423127	B11-116, B11-125
419164	B11-107, B11-115, B11-119, B11-128	421257	B9-20	421373	B12-13, B12-19	422113	B11-30, B11-36, B11-47, B11-58, B11-74, B12-10, B12-12, B12-18	422600	B13-33	423128	B11-116, B11-125
419166	B11-107, B11-115, B11-119, B11-128	421258	B9-20	421374	B12-13, B12-19	422119	B11-30, B11-36, B11-47, B11-74, B12-12, B12-18	422601	B13-33	423129	B11-116, B11-125
419168	B11-107, B11-115, B11-119, B11-128	421259	B9-20	421375	B9-25	422124	B11-30, B11-36, B11-47, B11-74, B12-12, B12-18	422602	B13-33	423130	B11-116, B11-125
419170	B11-107, B11-115, B11-119, B11-128	421265	B11-105, B11-111	421376	B9-25	422134	B11-30, B11-36, B11-47, B11-74, B12-12, B12-18	422603	B13-33	423131	B11-116, B11-125
419171	B11-107, B11-115	421266	B11-105, B11-111	421377	B9-25	422140	B11-36, B11-47, B11-74, B12-12, B12-18	422604	B7-47	423132	B11-118, B11-125
419172	B11-107, B11-115, B11-119, B11-128	421267	B11-105, B11-111	421378	B9-25	422147	B11-36, B11-47, B11-74, B12-12, B12-18	422606	B11-35, B11-45, B11-73	423133	B11-118, B11-125
419174	B11-107, B11-115	421268	B11-105, B11-111	421379	B9-25	422151	B11-30, B11-36, B11-47, B11-74, B12-12, B12-18	422607	B13-33	423134	B11-118, B11-125
419176	B11-107, B11-115, B11-119, B11-128	421269	B11-105, B11-111	421380	B9-25	422152	B11-30, B11-36, B11-47, B11-74, B12-12, B12-18	422608	B13-33	423135	B11-118, B11-125
419178	B11-107, B11-115	421270	B11-105, B11-111	421381	B9-25	422158	B11-30, B11-36, B11-47, B11-74, B12-12, B12-18	422609	B7-47	423137	B11-118, B11-125
419180	B11-117, B11-128	421271	B11-105, B11-111	421382	B9-25	422164	B11-30, B11-36, B11-47, B11-74, B12-12, B12-18	422610	B11-35, B11-45, B11-73	423138	B11-118, B11-125
419181	B11-117, B11-128	421272	B11-105, B11-111	421383	B9-25	422170	B11-30, B11-36, B11-47, B11-74, B12-12, B12-18	422611	B11-88, B11-89, B11-96	423139	B11-118, B11-125
419182	B11-117, B11-128	421273	B11-105, B11-111	421384	B9-25	422177	B11-30, B11-36, B11-47, B11-74, B12-12, B12-18	422612	B11-52, B11-54	423140	B11-118, B11-125
419183	B11-117, B11-128	421274	B11-105, B11-111	421385	B9-25	422183	B11-30, B11-36, B11-47, B11-74, B12-12, B12-18	422613	B11-52, B11-54	423143	B11-116, B11-125
		421275	B11-105, B11-111	421386	B9-25	422190	B11-30, B11-36, B11-47, B11-74, B12-12, B12-18	422614	B11-52, B11-54	423144	B11-116, B11-125
		421276	B11-105, B11-111	421387	B9-25	422197	B11-30, B11-36, B11-47, B11-74, B12-12, B12-18	422615	B11-52, B11-54		
		421277	B11-105, B11-111	421388	B9-25	422201	B11-30, B11-36, B11-47, B11-74, B12-12, B12-18	422616	B11-52, B11-54		
		421278	B11-105, B11-111	421389	B9-25	422207	B11-30, B11-36, B11-47, B11-74, B12-12, B12-18	422617	B11-52, B11-54		
		421279	B11-105, B11-111	421390	B9-25	422214	B11-30, B11-36, B11-47, B11-74, B12-12, B12-18	422618	B11-52, B11-54		
		421280	B11-105, B11-111	421391	B9-25	422220	B11-30, B11-36, B11-47, B11-74, B12-12, B12-18	422619	B11-52, B11-54		
		421281	B11-89, B11-96	421392	B9-25	422227	B11-30, B11-36, B11-47, B11-74, B12-12, B12-18	422620	B11-52, B11-54		
		421282	B11-89, B11-96	421393	B9-25	422234	B11-30, B11-36, B11-47, B11-74, B12-12, B12-18	422621	B11-52, B11-54		
		421283	B11-89, B11-96	421394	B9-25	422240	B11-30, B11-36, B11-47, B11-74, B12-12, B12-18	422622	B11-52, B11-54		
		421284	B11-89, B11-96	421395	B9-25	422247	B11-30, B11-36, B11-47, B11-74, B12-12, B12-18	422623	B11-52, B11-54		
		421285	B11-89, B11-96	421396	B9-25	422254	B11-30, B11-36, B11-47, B11-74, B12-12, B12-18	422624	B11-52, B11-54		
		421286	B11-89, B11-96	421397	B9-25	422260	B11-30, B11-36, B11-47, B11-74, B12-12, B12-18	422625	B11-52, B11-54		
		421287	B11-88, B11-89, B11-96	421398	B9-25	422267	B11-30, B11-36, B11-47, B11-74, B12-12, B12-18	422626	B11-52, B11-54		

# PART NUMBER INDEX



Part No.	Page	Part No.	Page	Part No.	Page	Part No.	Page	Part No.	Page	Part No.	Page
423372	B11-99, B11-102	496185	B12-10	701659	B12-13	707405	B12-21	713159	B12-10	720982	B12-10
423373	B11-99, B11-102	496187	B12-10	702830	B12-13, B12-19	707410	B12-21	713160	B12-10	720983	B12-10
430020	B2-96	496188	B12-10			707415	B12-21	713161	B12-10	720987	B12-10
430020	B5-66, B5-67, B5-69	496446	B12-12, B12-19	702844	B12-13, B12-19	707419	B12-21	713162	B12-10	720988	B12-10
430153	B14-38	496447	B12-12, B12-19	702857	B12-13, B12-19	707422	B12-21	713163	B12-10	720993	B12-10
430155	B14-41	496448	B12-12, B12-19			707428	B12-21	713164	B12-10	720994	B12-10
430198	B14-41	496449	B12-12, B12-19	702867	B12-13, B12-19	707431	B12-21	713165	B12-10	721000	B12-10
432153	B14-41			702883	B12-13, B12-19	707434	B12-21	713166	B12-10	721005	B12-10
432181	B14-34	496450	B12-12, B12-199	702893	B12-13, B12-19	707439	B12-21	713167	B12-10	721006	B12-10
432184	B14-34					707453	B12-21	713168	B12-10	721010	B12-10
432187	B14-34	496451	B12-12, B12-19	702904	B12-13	708444	B12-22	713169	B12-10	721011	B12-10
432190	B14-33			702907	B12-13, B12-19	708446	B12-22	713170	B12-10	721014	B12-10
432193	B14-33	496452	B12-12, B12-19	703407	B12-10	708451	B12-22	713171	B12-10	721015	B12-10
432196	B14-33			703941	B12-12, B12-18	708452	B12-22	713172	B12-10	721018	B12-10
433326	B14-38	496453	B12-12, B12-19	703951	B12-12, B12-18	708453	B12-22	713175	B12-10	721019	B12-10
456225	B1-92	496454	B12-12, B12-19	703967	B12-12, B12-18	708454	B12-23	713176	B12-10	721022	B12-10
456226	B1-92					708455	B12-24	713177	B12-10	721023	B12-10
456227	B13-56	496455	B12-12, B12-19	703971	B12-12, B12-18	708463	B12-23	713178	B12-10	721026	B12-10
456228	B1-92	496456	B12-12, B12-19	703982	B12-12, B12-18	708464	B12-24	713181	B12-10	721027	B12-10
456229	B13-56					708468	B12-23	713182	B12-10	721030	B12-10
456230	B1-92	496457	B12-12, B12-19	703989	B12-12, B12-18	708469	B12-24	713183	B12-10	721031	B12-10
456231	B13-56					708474	B12-23	713184	B12-10	721034	B12-10
456232	B1-92	496458	B12-12, B12-19	703996	B12-12, B12-18	708475	B12-24	713185	B12-10	721035	B12-10
456233	B13-56					708481	B12-22	713186	B12-10	721040	B12-10
456234	B13-56	496459	B12-12, B12-19	706967	B12-20	708484	B12-22	719372	B12-13, B12-19	721041	B12-10
456235	B1-92			706974	B12-20	708487	B12-23			721044	B12-10
456236	B1-92	496460	B12-12, B12-19	706976	B12-20	708491	B12-22	719373	B12-13, B12-19	721046	B12-10
456237	B13-56			706998	B12-20	708494	B12-23			721049	B12-10
456238	B1-92	496461	B12-12, B12-19	707006	B12-20	708499	B12-22	719374	B12-13, B12-19	721050	B12-10
456239	B13-56			707014	B12-20	708500	B12-23			721053	B12-10
460901	B11-105, B11-115, B11-116, B11-128	496462	B12-12, B12-19	707015	B12-20	708507	B12-22	719375	B12-13, B12-19	721054	B12-10
460902	B11-105, B11-115, B11-116, B11-128	496463	B12-12, B12-19	707020	B12-20	708510	B12-22			721055	B12-10
460903	B11-105, B11-115, B11-116, B11-128	496464	B12-12, B12-19	707025	B12-20	708513	B12-23	719376	B12-13, B12-19	721057	B12-10
460904	B11-105, B11-115, B11-116, B11-128	496465	B12-12, B12-19	707056	B12-20	708519	B12-22			721058	B12-10
460905	B11-105, B11-115, B11-116, B11-128	496466	B12-12, B12-19	707057	B12-20	708522	B12-23	719377	B12-13, B12-19	726921	B12-25
460906	B11-105, B11-115, B11-128	496467	B12-12, B12-19	707063	B12-20	708529	B12-22	719378	B12-13, B12-19	726922	B12-25
480037	B4-90	496468	B12-12, B12-19	707069	B12-20	708532	B12-23	719379	B12-13, B12-19	726926	B12-25
480037	B3-142	496469	B12-12, B12-19	707107	B12-20	708959	B12-12, B12-19			726927	B12-25
480455	B4-90	496470	B12-12, B12-19	707111	B12-20	708966	B12-12	719380	B12-13, B12-19	726929	B12-25
480455	B3-142			707125	B12-20	708970	B12-12, B12-19			726930	B12-25
480456	B4-90	496471	B12-12, B12-19	707134	B12-20			719381	B12-13, B12-19	726933	B12-25
480456	B3-142			707187	B12-20	708976	B12-12			726936	B12-25
480457	B4-90	496472	B12-12, B12-19	707191	B12-20	708983	B12-12, B12-19	719382	B12-13	726937	B12-25
480457	B3-142			707201	B12-20			719383	B12-13, B12-19	726941	B12-25
480457	B4-90	496473	B12-12, B12-19	707213	B12-20	709137	B12-12, B12-19			726943	B12-25
480457	B3-142			707261	B12-20			719384	B12-13, B12-19	726944	B12-25
480457	B13-33	496474	B12-12, B12-19	707271	B12-20	709140	B12-12, B12-19			726947	B12-25
495298	B12-10			707287	B12-20	709143	B12-12, B12-19	719385	B12-13, B12-19	726948	B12-25
496150	B12-10	496475	B12-12, B12-19	707291	B12-20					726953	B12-25
496151	B12-10			707319	B12-20	709146	B12-12, B12-19	719400	B12-18	726954	B12-25
496154	B12-10			707328	B12-20			719406	B12-18	726957	B12-25
496157	B12-10	496476	B12-12, B12-19	707347	B12-20	709152	B12-12, B12-19	719408	B12-18	726959	B12-25
496159	B12-10			707353	B12-20			719480	B12-10	726960	B12-25
496162	B12-10	496477	B12-12, B12-19	707363	B12-20	709166	B12-12, B12-19	719499	B12-10, B12-12, B12-13	726962	B12-20, B12-25
496165	B12-10			707368	B12-20					726966	B12-25
496168	B12-10	496478	B12-12, B12-19	707376	B12-21	712071	B12-19	720940	B12-10	726966	B12-25
496171	B12-10			707385	B12-21	712225	B12-12, B12-18	720945	B12-10	726966	B12-25
496173	B12-10	496479	B12-12, B12-19	707389	B12-21			720950	B12-10	726966	B12-25
496176	B12-10			707391	B12-21	713153	B12-10	720951	B12-10	726966	B12-25
496179	B12-10	496480	B12-12, B12-19	707400	B12-21	713154	B12-10	720956	B12-10	738141	B12-12, B12-19
496182	B12-10			707402	B12-21	713155	B12-10	720957	B12-10		
						713156	B12-10	720960	B12-10	738142	B12-12, B12-19
						713157	B12-10	720962	B12-10		
						713158	B12-10	720965	B12-10	738143	B12-12, B12-19
								720966	B12-10		
								720970	B12-10	738145	B12-12, B12-19
								720971	B12-10		
								720973	B12-10	738146	B12-12, B12-19
								720975	B12-10		
								720978	B12-10	738147	B12-12, B12-19
								720979	B12-10		

# PART NUMBER INDEX



Part No.	Page	Part No.	Page	Part No.	Page	Part No.	Page	Part No.	Page	Part No.	Page
738148	B12-12, B12-19	747028	B12-12	747146	B12-12, B12-18	747341	B12-13, B12-19				
738149	B12-12, B12-19	747029	B12-12	747149	B12-12, B12-18	747342	B12-12, B12-19				
738151	B12-12, B12-19	747030	B12-12	747152	B12-12, B12-18	747343	B12-13, B12-19				
738152	B12-12	747031	B12-12	747177	B12-13, B12-19	747344	B12-13, B12-19				
738154	B12-12, B12-19	747032	B12-12	747178	B12-13, B12-19	747384	B12-13, B12-19				
738155	B12-12, B12-19	747033	B12-12	747179	B12-13, B12-19	747385	B12-13, B12-19				
738157	B12-12, B12-19	747034	B12-12	747180	B12-13, B12-19	747386	B12-13, B12-19				
738158	B12-12, B12-19	747035	B12-12	747181	B12-13, B12-19	747387	B12-13, B12-19				
738160	B12-12, B12-19	747036	B12-12	747182	B12-13, B12-19	747388	B12-13, B12-19				
738162	B12-12, B12-19	747037	B12-12	747183	B12-13, B12-19	747389	B12-13, B12-19				
738163	B12-12, B12-19	747038	B12-12	747184	B12-13, B12-19	747390	B12-13, B12-19				
739018	B12-10	747039	B12-12	747185	B12-13, B12-19	747391	B12-13, B12-19				
739024	B12-25	747040	B12-12	747186	B12-13	747392	B12-13, B12-19				
739025	B12-25	747041	B12-12	747187	B12-13, B12-19	747393	B12-12				
739027	B12-25	747051	B12-19	747188	B12-13, B12-19	747394	B12-13, B12-19				
739028	B12-25	747052	B12-19	747189	B12-12, B12-18	747395	B12-13, B12-19				
739029	B12-25	747053	B12-19	747190	B12-12, B12-18	747396	B12-13, B12-19				
739030	B12-25	747054	B12-19	747191	B12-12, B12-18	747397	B12-12, B12-19				
739145	B12-13, B12-19	747055	B12-19	747192	B12-12, B12-18	747398	B12-13, B12-19				
739150	B12-13, B12-19	747056	B12-19	747193	B12-12, B12-18	747399	B12-13, B12-19				
739153	B12-13, B12-19	747057	B12-19	747194	B12-12, B12-18	747400	B12-13, B12-19				
739154	B12-13, B12-19	747058	B12-19	747195	B12-12, B12-18						
739229	B12-10	747059	B12-19	747328	B12-13, B12-19						
739329	B12-12, B12-18	747060	B12-19	747329	B12-13, B12-19						
740381	B12-12, B12-19	747061	B12-19	747330	B12-13, B12-19						
740382	B12-12, B12-19	747062	B12-19	747331	B12-13, B12-19						
740383	B12-12, B12-19	747063	B12-19	747332	B12-13, B12-19						
740384	B12-12, B12-19	747064	B12-19	747333	B12-13, B12-19						
740452	B12-12	747065	B12-19	747334	B12-13, B12-19						
740453	B12-12	747066	B12-19	747335	B12-13, B12-19						
744856	B12-21	747105	B12-12, B12-13, B12-18, B12-19	747336	B12-13, B12-19						
744857	B12-21	747108	B12-12, B12-13, B12-18, B12-19	747337	B12-12						
744858	B12-21	747111	B12-12, B12-13, B12-18	747338	B12-13, B12-19						
744859	B12-21	747115	B12-12, B12-13, B12-18, B12-19	747339	BB12-13, B12-19						
744860	B12-21	747118	B12-12, B12-13, B12-18, B12-19	747340	B12-13, B12-19						
744861	B12-21	747121	B12-12, B12-13, B12-18, B12-19								
744862	B12-21	747123	B12-12, B12-13, B12-18, B12-19								
744863	B12-21	747125	BB12-12, B12-13, B12-18, B12-19								
744864	B12-21	747128	B12-12, B12-13, B12-18, B12-19								
744865	B12-21	747130	B12-12, B12-13								
744866	B12-21	747132	B12-12, B12-13, B12-18, B12-19								
744867	B12-21	747137	B12-12, B12-13, B12-18, B12-19								
744868	B12-21	747141	B12-12, B12-18								
744869	B12-21	747143	B12-12, B12-18								
744870	B12-21										
744871	B12-21										
744872	B12-21										
747025	B12-12										
747026	B12-12										
747027	B12-12										

# NOTES

---



Take-Up Frames

Engineering

Index



# KEYWORD INDEX



<b>A</b>	<b>D</b>
<b>A-C Motor Information</b>	<b>D-LOK BALL BEARINGS</b>
	B5-1 - B5-74
<b>Accessories</b>	<b>Ductile</b>
Solid Steel Shaft Collars	Inch
	B9-4, B9-14
<b>Air Handling</b>	Metric
	B9-15
D-LOK Ball Bearings	
	<b>E</b>
GRIP TIGHT	
Eccentric Collar Ball Bearings	<b>E FAMILY BEARINGS</b>
	B6-1 - B6-74
Setscrew Ball Bearings	<b>ECCENTRIC COLLAR BALL BEARINGS</b>
	B4-1 - B4-92
<b>Anti-Rotation Pin</b>	<b>Electrical</b>
	B16-22
D-LOK	<b>End Cap Kits, SLEEVOIL</b>
	B14-31
Eccentric Collar Ball Bearings	<b>ENGINEERING</b>
	B16-1 - B16-40
Setscrew Ball Bearings	<b>English Standard Measurement</b>
	B16-24
<b>B</b>	<b>Expansion, Metric</b>
<b>Ball Bearing End Covers</b>	B9-5, B9-13
	<b>Expansion of Shafting</b>
D-LOK Ball Bearings	B16-20
Eccentric Collar Ball Bearings	<b>E-Z KLEEN</b>
	B1-1 - B1-92
	<b>F</b>
GRIP-TIGHT	<b>Features/Benefits</b>
Setscrew	D-LOK BALL Bearings
	B5-2 - B5-3
<b>Bearing Life Adjustment Factors</b>	Eccentric Collar Ball Bearings
	B4-2 - B4-3
<b>Bearing Load Calculations</b>	E-Z KLEEN
	B1-2
<b>BRONZOIL Take-Up Frame</b>	GRIP-TIGHT
	B2-2
<b>C</b>	IMPERIAL
<b>Center Pull Take-Up Frames</b>	IMPERIAL - IP
	B10-3
<b>Centrifugal Force</b>	E-IMPERIAL
	B10-8
<b>Circulating Oil Systems, SLEEVOIL</b>	ISAF
	B10-10
<b>Coatings</b>	International Bearings
D-LOK Ball Bearings	S-2000
	B8-3 - B8-4
Setscrew Ball Bearings	Setscrew Ball Bearings
	B3-2 - B3-3
<b>Coefficients of Friction “f”</b>	Sleeve Bearings
	B13-2 - B13-3
<b>Common Conversion Factors</b>	SLEEVOIL
	B14-3 - B14-5
<b>Concentric Clamp Collar, D-LOK Ball Bearings</b>	Specialty Tapered
	Type C
<b>Conveyor Belt FPM to RPM</b>	Special Duty Hinged Cap
	B7-2
	All Steel
	B7-3
	Take-Up Frames
	B15-2 - B15-5
	Type E
	B6-3 - B6-7
	Unified
	B11-3 - B11-7
	Unisphere
	B9-3

# KEYWORD INDEX



<b>Flingers</b>	B4-3	Specialty Tapered	
<b>Flywheel Formulas</b>	B16-34	Special Duty	B7-27
<b>Formulas &amp; Constants</b>	B16-34	All Steel	B7-53
<b>G</b>		<b>L</b>	
<b>GRIP TIGHT</b>	B2-1 - B2-104	<b>Load Ratings, SLEEVOIL</b>	B14-11
		<b>Lubrication</b>	
		D-LOK Ball Bearings	B5-5
		E Family Bearings	B6-13, B6-68
		Eccentric Collar Ball Bearings	B4-5
		GRIP-TIGHT	B2-5
		IMPERIAL	B10-14
		Setscrew Ball Bearings	B3-5
		Specialty Tapered	B7-27
		Unified	B11-24 - B11-25
		Unisphere	B9-8
<b>H</b>		<b>M</b>	
<b>Hardness Comparison</b>	B16-38	<b>Maintenance</b>	
<b>HD Protected Screw Take-Up Frames</b>	B15-29 - B15-31	E Family Bearings	B6-13
<b>High Temperature</b>		Specialty Tapered	B7-27, B7-53
Inch	B8-6	<b>Material Characteristics</b>	B16-13
Metric	B9-13	<b>Mathematical Equations</b>	B16-35
<b>How To Order</b>		<b>Metric Standard Measurement &amp; Conversions</b>	B16-26
D-LOK Ball Bearings	B5-4	<b>Misalignment</b>	
Eccentric Collar Ball Bearings	B4-4	D-LOK Ball Bearings	B5-5
E-Z KLEEN	B1-4	Eccentric Collar Ball Bearings	B4-3, B4-5
GRIP-TIGHT	B2-4	GRIP-TIGHT	B2-5
Imperial ISN	B10-7	Setscrew Ball Bearings	B3-3, B3-5
International Bearings	B12-4	Static	B8-3, B8-11, B9-8
S-2000	B8-6	Unitized	B8-11, B8-15, B9-8
Setscrew Ball Bearings	B3-4	<b>Misalignment, Dynamic</b>	B8-3
Sleeve Bearings	B12-4	<b>Modifications/Accessories</b>	
SLEEVOIL	B14-6	D-LOK Ball Bearings	B5-66
Specialty Tapered		Eccentric Collar Ball Bearings	B4-84
Type C	B7-6	Setscrew Ball Bearings	B3-132
Special Duty Hinged Cap	B7-23	SLEEVOIL	B14-30- B14-38
All Steel	B7-49		
Take-Up Frames	B15-6		
Type E	B6-9		
Unified	B11-9		
Unisphere	B9-5		
<b>I</b>			
<b>IMPERIAL - IP, ISAF AND ISN</b>	B10-1 - B10-78		
<b>INTERNATIONAL BEARINGS</b>	B12-1 - B12-26		
<b>Installation</b>			
E Family Bearings	B6-13, B6-68		

# KEYWORD INDEX



<b>N</b>			
<b>Narrow Slot Take-Up Frame</b>		B15-8 - B15-10	Eccentric Collar B4-84
<b>Nomenclature</b>			GRIP-TIGHT B2-96, B2-104
D-LOK Ball Bearings		B5-4	Setscrew Ball Bearings, End Cover B3-136, B3-137
Eccentric Collar Ball Bearings		B4-5	Setscrew Ball Bearings B3-133 - B3-144
GRIP-TIGHT		B2-4	
IMPERIAL			<b>S</b>
IMPERIAL IP		B10-9	<b>S-2000</b> B8-1 - B8-56
ISAF		B10-11	<b>Seals</b>
International Bearings		B12-4	D-LOK Ball Bearings B5-66
S-2000		B8-7	Eccentric Collar Ball Bearings B4-4, B4-84
Setscrew Ball Bearings		B3-4	Setscrew Ball Bearings B3-4, B3-117, B3-132
Sleeve Bearings		B12-5	
SLEEVOIL		B14-7 - B14-8	<b>Selection</b>
Specialty Tapered			D-LOK Ball Bearings B5-5, B5-7
Type C		B7-7	Eccentric Collar Ball Bearings B4-4, B4-84
Special Duty Hinged Cap		B7-24	E-Z KLEEN B1-5 - B1-13
All Steel		B7-50	GRIP-TIGHT B2-4
Take-Up Frames		B15-7	Imperial ISN B10-12 - B10-19
Type E		B6-10	International Bearings B12-5 - B12-14
Unified		B11-10	S-2000 B8-9
Unisphere		B9-5	Setscrew Ball Bearings B3-5 - B3-9
			Sleeve Bearings B12-6 - B12-12
			SLEEVOIL B14-9 - B14-15
			Specialty Tapered
			Type C B7-8
			Special Duty Hinged Cap B7-25
			All Steel B7-51
			Type E B6-11 - B6-20
			Unified B11-16 - B11-25
			Unisphere B9-6 - B9-15
			<b>SETSCREW BALL BEARINGS</b> B3-1 - B1-144
			<b>Shaft Keyseats</b> B16-18
			<b>Shafting / Shaft Diameters</b> B16-15
			<b>SLEEVE BEARINGS</b> B13-1 - B13-56
			<b>SLEEVOIL</b> B14-1 - B14-38
			<b>SPECIALTY TAPERED PRODUCTS</b> B7-1 - B7-60
			<b>Specifications</b>
			IMPERIAL B10-6
			S-2000 B8-5
			SLEEVE Bearings B13-4
<b>O</b>			
<b>Oil Level &amp; Filtration System, SLEEVOIL</b>		B14-38	
<b>Oil Ring, SLEEVOIL</b>		B14-33	
<b>Oil Viscosity Classification</b>		B16-23	
<b>Overhung Load, Engineering</b>		B16-35	
<b>P</b>			
<b>PROGUARD PLUS Seal</b>		B5-2, B5-3, B5-66	
<b>D-LOK Ball Bearings</b>			
<b>PROGUARD Seal</b>		B4-3	
<b>Properties on Sections</b>		B16-37	
<b>R</b>			
<b>Radial Loads, Metric</b>		B9-5 - B9-7	
<b>Related Products</b>			
Ball Bearings End Covers			
D-LOK		B5-67, B5-74	

# KEYWORD INDEX



SLEEVOIL	B14-6
Special Tapered	
Type C	B7-5
Special Duty Hinged Cap	B7-22
All Steel	B7-48
Type E, Type K, DOUBLE- INTERLOCK and TAF	B6-8
Unified	B11-8
Unisphere	B9-4
<b>Springlok</b>	B9-3
<b>Strength &amp; Physical Properties of Metals</b>	B16-36
<b>T</b>	
<b>TAKE-UP FRAMES</b>	B15-1 - B15-44
Baseplates	B15-40 - B15-43
Top Angle	B15-14 - B15-18
Stainless Steel Screws	B15-6 - B15-7
<b>Torque &amp; Horsepower Equivalents</b>	B16-30
<b>TPHU Take-Up Frames</b>	B15-17 - B15-20
<b>Trigonometric Formula</b>	B16-38
<b>TYPE E, TYPE K, DOUBLE- INTERLOCK &amp; TAF</b>	B6-1 - B6-74
<b>U</b>	
<b>U.S. Standard Sheet Metal Gages</b>	B16-27
<b>UNIFIED</b>	B11-1 - B11-134
<b>UNISPHERE</b>	B9-1 - B9-25
<b>V</b>	
<b>V-Belt Sheave Groove Dimensions</b>	B16-11
<b>Vibration Detector Adapter Kit, SLEEVOIL</b>	B14-33
<b>Vibration Frequencies</b>	B16-2
<b>W</b>	
<b>Weights/Properties of Steel Shafting</b>	B16-21
<b>Wide Slot Take-Up Frames</b>	B15-11 - B15-13



# NOTES

---



Take-Up Frames

Engineering

Index





For Additional information about DODGE Bearing Products,  
DODGE Gearing Products or DODGE PT Components:

- > contact your local authorized DODGE Distributor
- > contact us at **864.297.4800**
- > visit us on the web at  
[www.dodge-pt.com](http://www.dodge-pt.com)  
[www.PTplace.com](http://www.PTplace.com)



---

**World Headquarters**

P.O. Box 2400, Fort Smith, AR 72902-2400 U.S.A., Ph: (1) 479.646.4711, Fax (1) 479.648.5792, International Fax (1) 479.648.5895

**Baldor - Dodge**

6040 Ponders Court, Greenville, SC 29615-4617 U.S.A., Ph: (1) 864.297.4800, Fax: (1) 864.281.2433

**[www.baldor.com](http://www.baldor.com)**